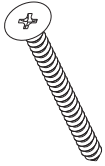


GENERAL NOTES:

1. ALWAYS INSTALL AFTER TOP HAS BEEN PLACED AND LEVELED
2. REMOVE WIRE MANAGEMENT IF TOP NEEDS TO BE MOVED

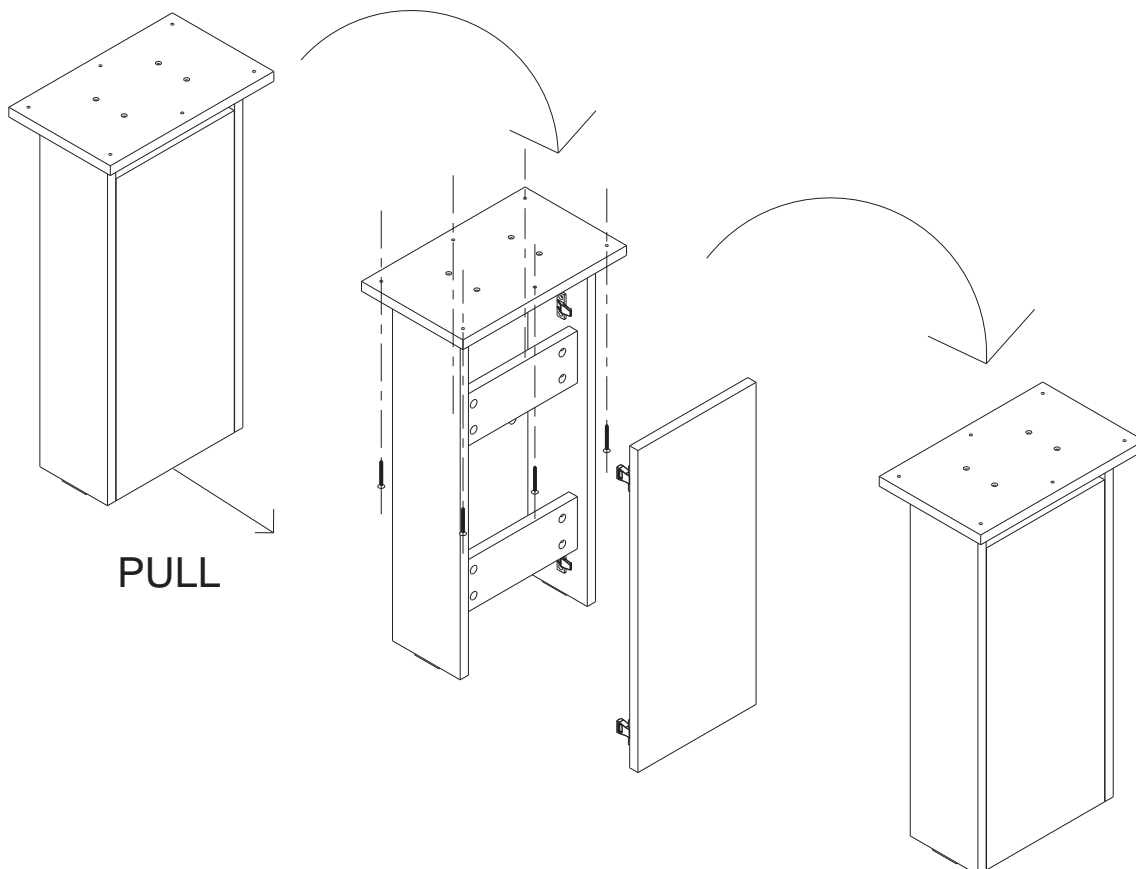
ATTACHMENT HARDWARE: GYAWIREBASE-W



19917-4326-35
SCR TP-AB 10X1-1/4 FT PH ST BL

INSTALLMENT: GYAWIREBASE-W

- 1 FIND FRONT PANEL WITH THE FINGER ROUT ON THE BOTTOM OF THE PANEL
- 2 PULL PANEL PARALLEL TO FLOOR TO RELEASE KEKUS
- 3 PLACE WIRE MANAGER, INSTALL 6 SCREWS IN TOP PANEL TO TOP
- 4 RUN WIRES AS NEEDED, INSTALL FRONT PANEL BACK ONTO UNIT



GUNLOCKE

GENERAL NOTES

- 1. ALWAYS PROTECT THE WORKSURFACE DURING INSTALLATION.
- 2. ALWAYS LEVEL UNIT(S) AT FINAL LOCATION.

THERE ARE (2) UNIQUE TABLE TYPES. EACH TABLE IS ILLUSTRATED.
THE LEG ATTACHMENT TO EACH TABLE IS SIMILAR.

LEG ATTACHMENT HARDWARE



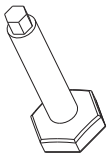
19907-2006-36
FLAT WASHER
5/16-7/8 ODX3/8 ID



19931-2011-36
HEX NUT 5/16-18



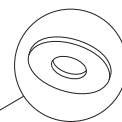
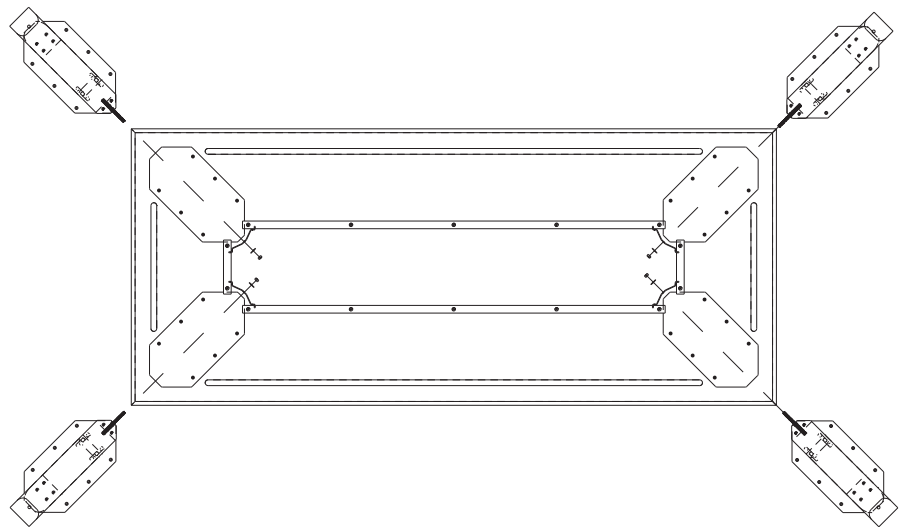
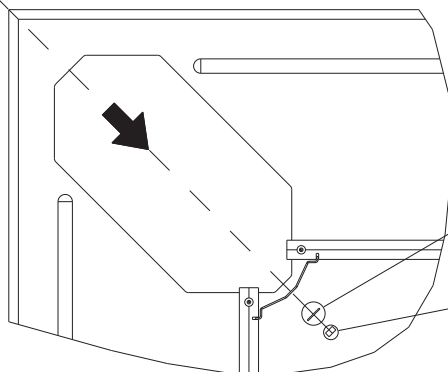
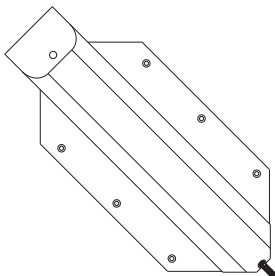
19917-4394-35
SCREW TP-AB 8X5/8



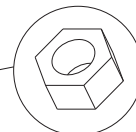
19962-0001-00
GLIDE & INSTRUCTION
SHEET

LEG ATTACHMENT

- 1 WITH TABLE TURNED UPSIDE DOWN SLIDE LEG ASSEMBLY INTO THE CORNER BRACKET, LINING UP LEG STUDS. USE WASHER AND HEX NUT TO TIGHTEN DOWN LEG.



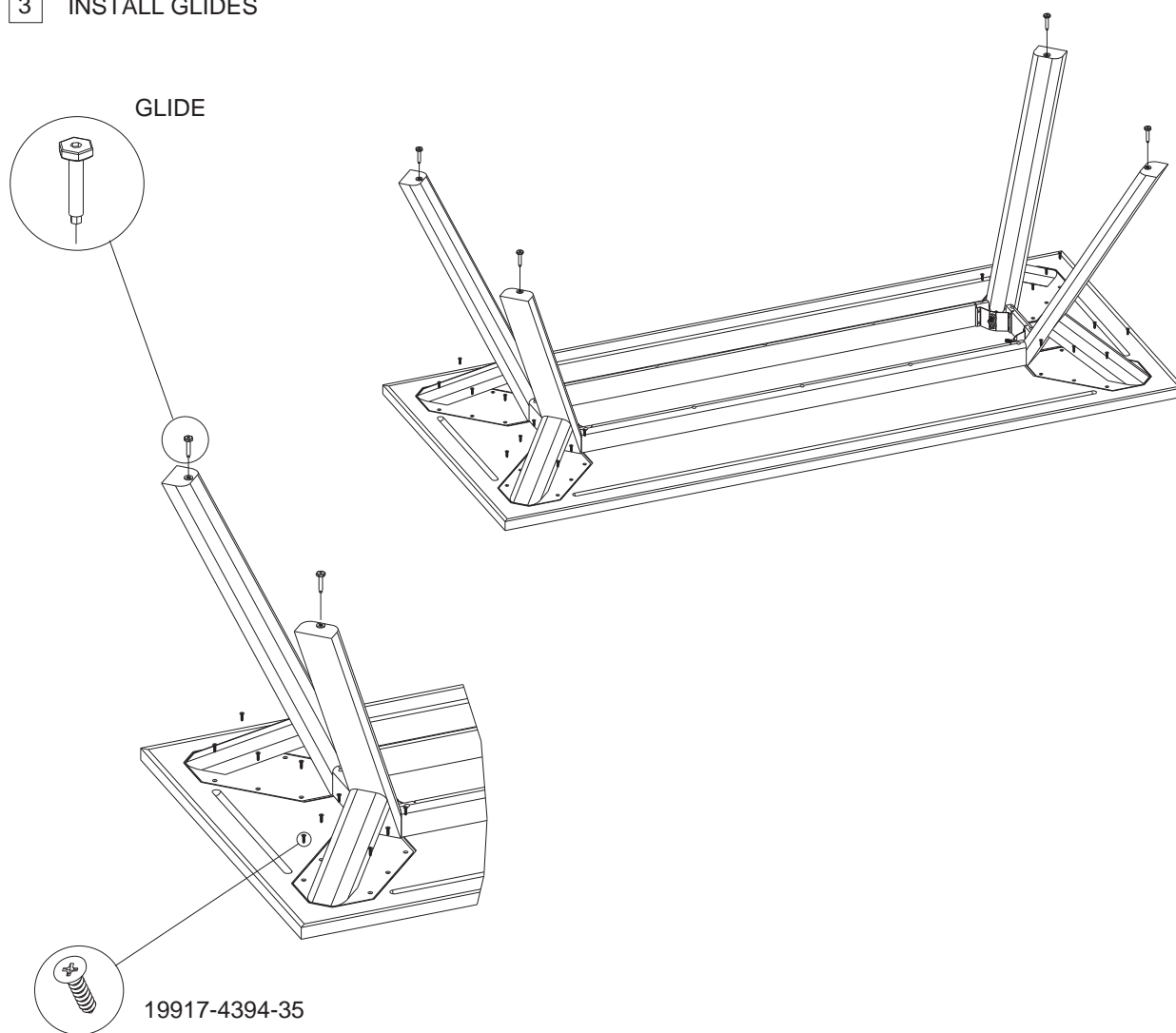
19907-2006-36



19931-2011-36

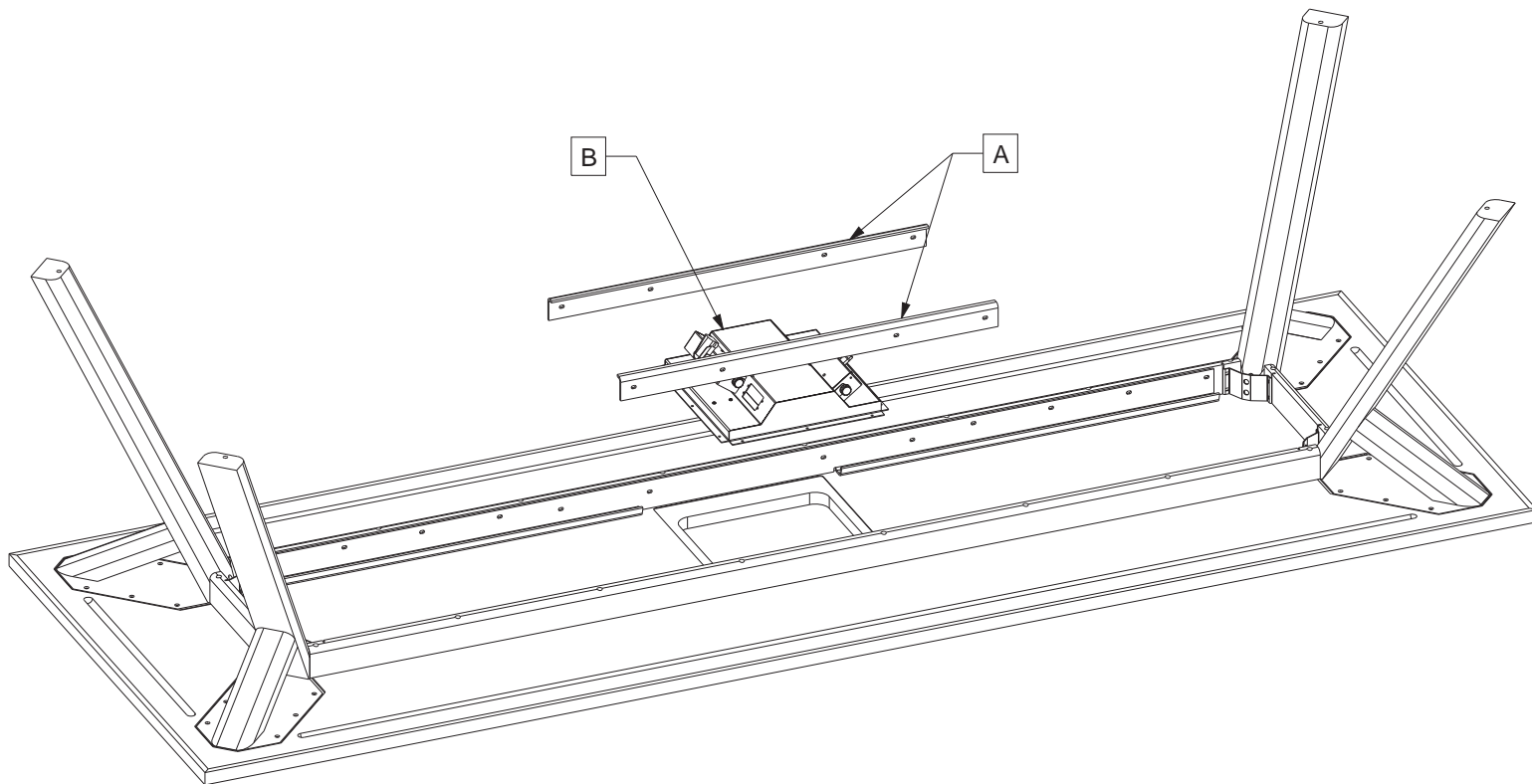
LEG ATTACHMENT CONTINUED

- 2 USE PROVIDED SCREWS TO ATTACH LEG ASSEMBLY PLATE TO TOP,
BE VERY CAREFUL TO NOT HIT LEGS WHEN ATTACHING
- 3 INSTALL GLIDES



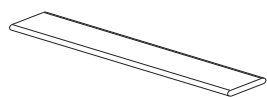
PORT ATTACHEMENT FOR TABLE 42" WIDE AND LARGER

- 1 REMOVE CENTER BRACKETS **A**
- 2 INSTALL PORT **B** WITH SUPPLIED SCREWS
- 3 REINSTALL CENTER BRACKETS **A**

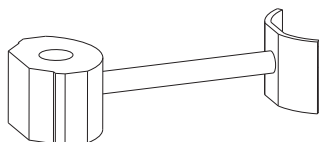


MULTI-PIECE TABLE ASSEMBLY INSTRUCTION SARANAC TABLE

TOP ASSEMBLY HARDWARE

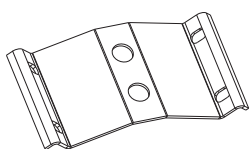


19907-7160-24
SPLINE



19928-0092-24
ZIPBOLT

APRON ASSEMBLY HARDWARE



YA907-0002-36
CORNER BRACKET



3500112000
SCREW TP-A 10X5/8

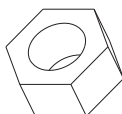


19917-4343-35
SCREW TP-AB 10X2

LEG ASSEMBLY HARDWARE



19907-2006-36
FLAT WASHER
5/16-7/8 ODX3/8 ID



19931-2011-36
HEX NUT 5/16-18

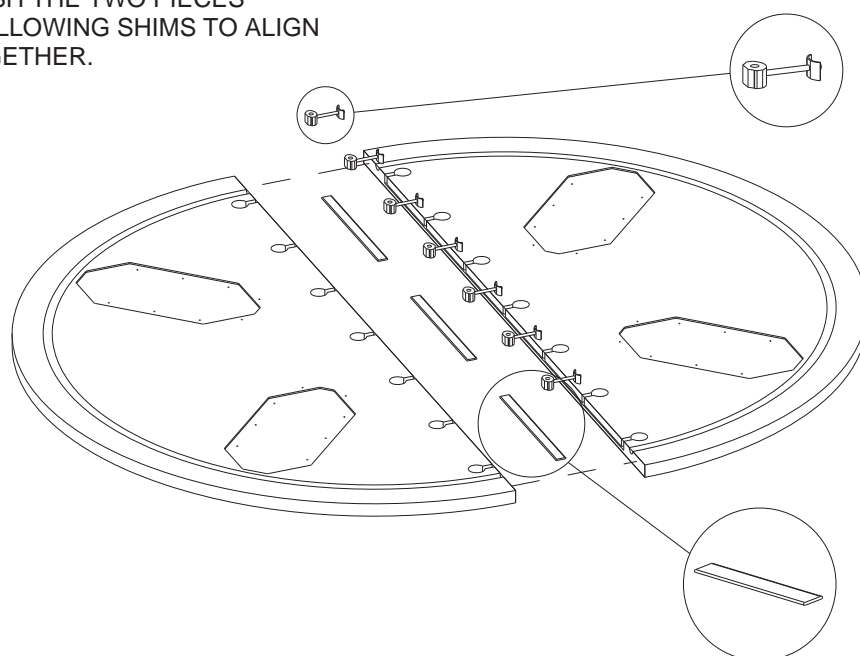


19917-4394-35
SCREW TP-AB 8X5/8

TOP ASSEMBLY

- 1** WITH TABLE TURNED UPSIDE DOWN INSERT SHIMS INTO ONE SIDE OF THE TOP. PUSH THE TWO PIECES TOGETHER ALLOWING SHIMS TO ALIGN THE TOP TOGETHER.

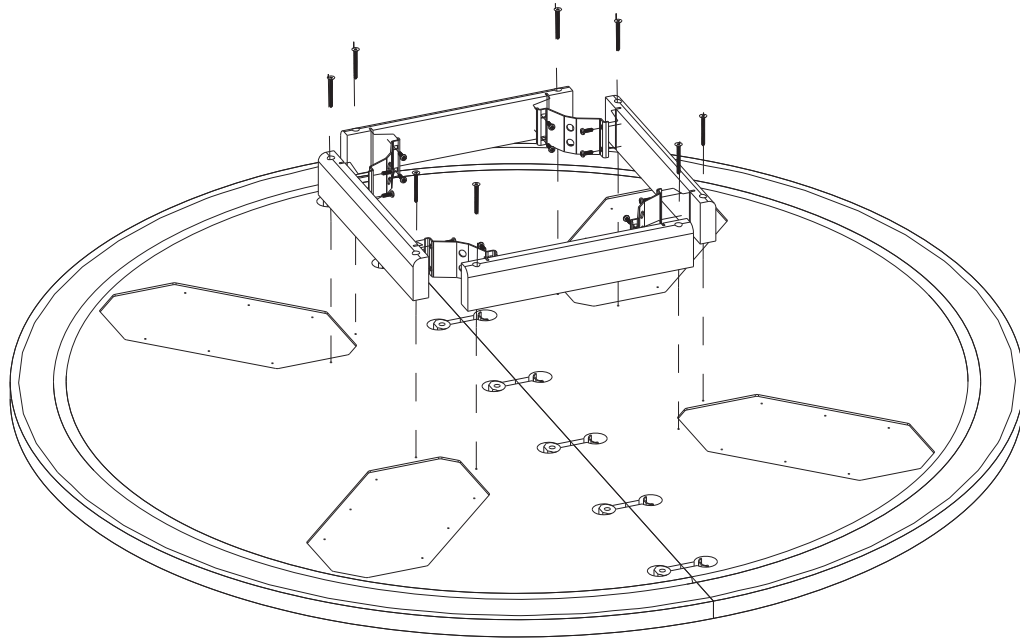
- 2** INSERT ZIPBOLTS INTO THE TOP AND DRAW TIGHT.



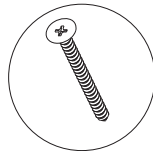
19928-0092-24
ZIPBOLT

19907-7160-24
SPLINE

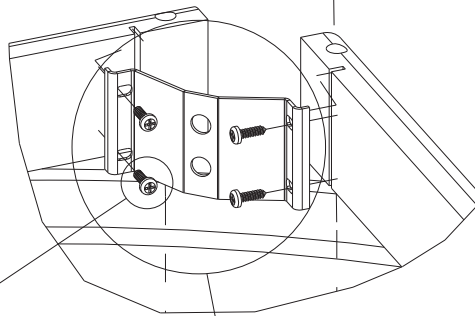
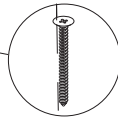
APRON ASSEMBLY



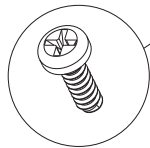
1 ALIGN THE APRON PIECES WITH THE PRE-BORED HOLES IN THE TOP. USING THE SCREWS PROVIDED ATTACH THE APRONS.



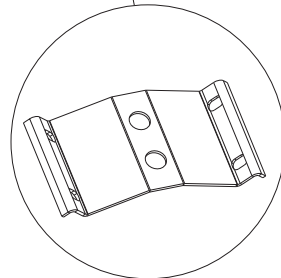
19917-4343-35
SCREW TP-AB 10X2



2 WITH APRONS ATTACHED, INSERT CORNER BRACKET INTO SLOTS AND SECURE WITH PROVIDED SCREWS.



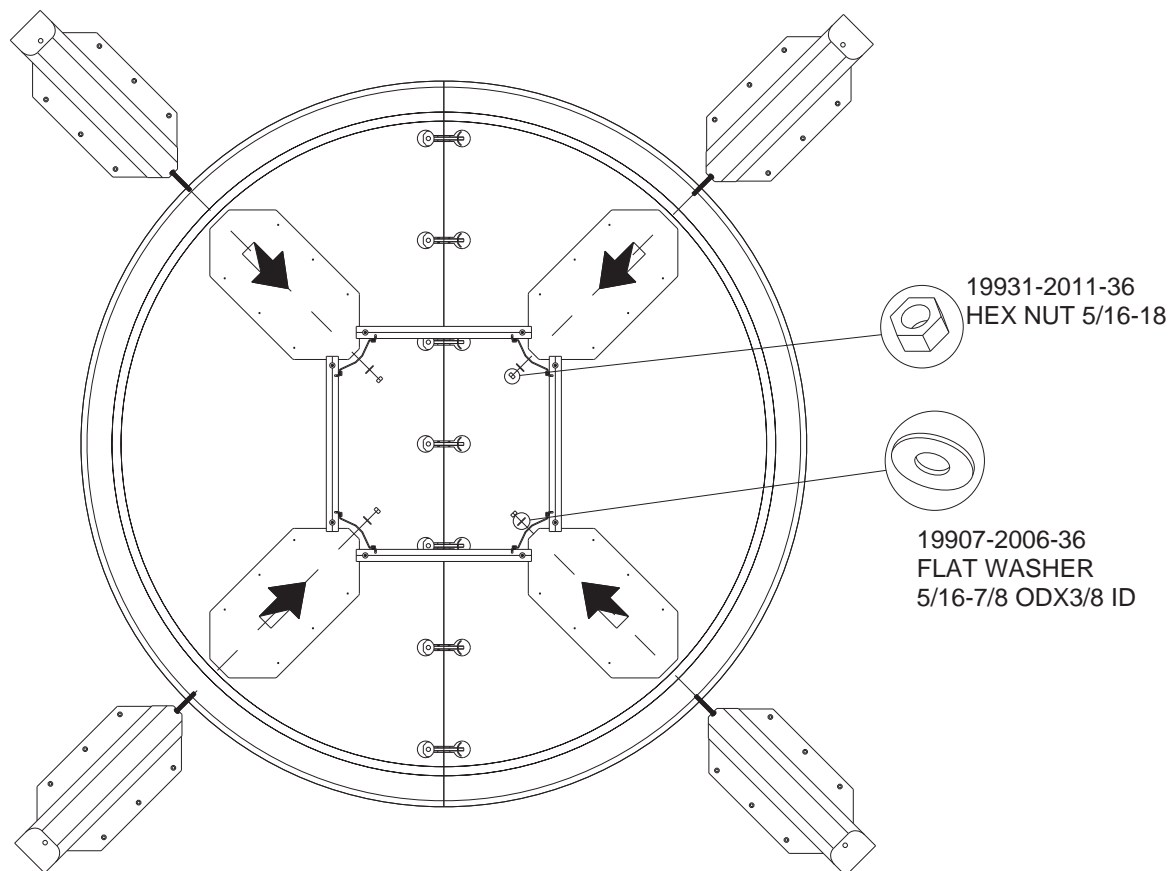
3500112000
SCREW TP-A 10X5/8



YA907-0002-36
CORNER BRACKET

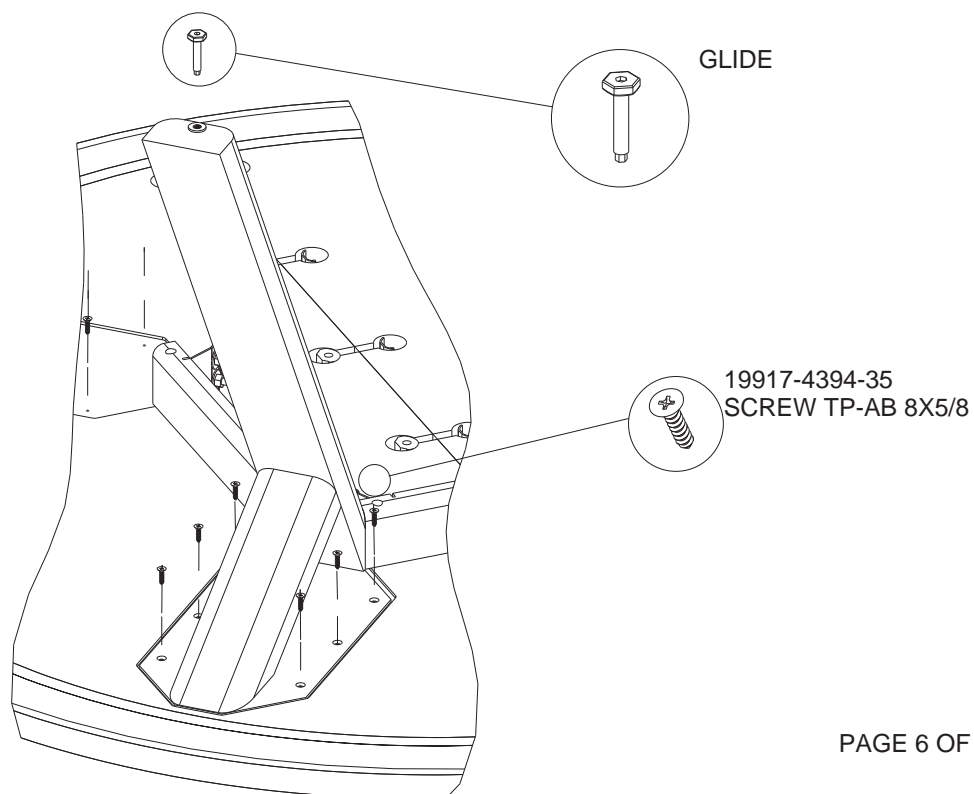
LEG ATTACHMENT

- 1 WITH TABLE TURNED UPSIDE DOWN
SLIDE LEG ASSEMBLY INTO THE
CORNER BRACKET, LINING UP LEG
STUDS. USE WASHER AND HEX NUT
TO TIGHTEN DOWN LEG.



- 2 USE PROVIDED SCREWS TO
ATTACH LEG ASSEMBLY PLATE
TO TOP, BE VERY CAREFUL TO
NOT HIT LEGS WHEN ATTACHING

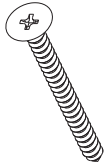
- 3 INSTALL GLIDES



GENERAL NOTES:

1. ALWAYS INSTALL AFTER TOP HAS BEEN PLACED AND LEVELED
2. REMOVE WIRE MANAGEMENT IF TOP NEEDS TO BE MOVED

ATTACHMENT HARDWARE: GYAWIRECLMN-W



19917-4326-35
SCR TP-AB 10X1-1/4 FT PH ST BL

INSTALLMENT: GYAWIRECLMN-W

- 1 FIND FRONT PANEL WITH THE FINGER ROUT ON THE BOTTOM OF THE PANEL
- 2 PULL PANEL IN THE UPWARD DIRECTION TO RELEASE CLIPS
- 3 PLACE WIRE MANAGER, INSTALL 4 SCREWS IN TOP PANEL TO TOP
- 4 RUN WIRES AS NEEDED, INSTALL FRONT PANEL BACK ONTO UNIT BY LOCATING SCREWS AND THE CLIPS AND SLIDING FRONT DOWN

