



## RO™ SOFA

---

Jaime Hayon's successful lounge chair Ro™ now fits two at a time. We introduce Ro as a 2-seater sofa - still accompanied by the curvy characteristics and the playful, colourful appearance found in Jaime Hayon's design work. With the Ro™ Sofa, softness is expressed as a social setting for two - or for four when placed one in front of another - offering a unique feeling of privacy but with plenty of space at the same time.



REPUBLIC OF **Fritz Hansen**®

## TIMELESS DESIGN THAT FITS MORE THAN ONE

In 2013 Jaime Hayon created the soft, sheltering easy chair Ro™. 2017 is the year where we introduce Ro as a 2-seater sofa. The Ro™ Sofa is perfect for any open office environment or other spaces that have the need for a breakout area or a room division. The Ro chair's distinct, sculptural shape has been interpreted in the Ro Sofa version and the two now make up a small unified collection.

Discover Jaime Hayon's characteristic use of curves and mix of materials in the Ro Sofa and combine it with the Ro or Fri lounge chairs for a complete, fun Jaime Hayon design experience - at home, in a hotel lobby or in a cosy café setting. Despite its high back, the Ro Sofa is warm and welcoming and has a cosy appearance, whilst at the same time it offers the possibility of an enclosing, intimate space built for privacy.

Like the chair, the Ro Sofa offers several design possibilities across contrasting colours and tone-on-tone upholstery as well as a choice of wooden or aluminium legs. In the contract market, the sofa version supplements the chair version perfectly in lounge, lobby or breakout areas. Add the Little Friend™ side table for a functional and modern setting - whether the scene is set for driving creativity or for meetings.

## DESIGN

Jaime Hayon, 2017.



## JAIME HAYON 1974-

Spanish artist/designer Jaime Hayon was born in Madrid in 1974. As a teenager, he submerged himself in skateboard culture and graffiti art, which formed the detailed, bold yet whimsical imagery so prevalent in his work today.

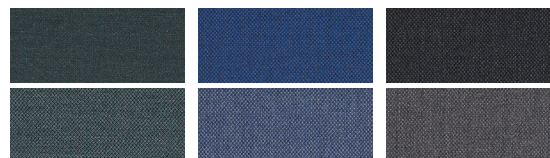
In 1997, after studying industrial design in Madrid and Paris, he joined Fabrica, the Benetton-funded design and communication academy, working closely with the legendary image-maker and agitator Oliverio Toscani.

After a short time he was promoted from student to head of their Design Department. Eight years later, Jaime broke out on his own, first with his collections of designer toys, ceramics and furniture, then followed by interior design and installations.

## UPHOLSTERY

The Ro™ Sofa is presented in 5 Designer Selection colours in the fabric Fiord. The choice of the textile Fiord is based on its softness but also durability and quality. Fiord is made primarily of new worsted wool (92%) and nylon and has a Martindale of 60.000. Furthermore, it offers a great variety of colours to choose from (which suits the Ro Sofa design) and it is adaptable to different rooms and styles.

The 5 Designer Selection colours in Fiord are:



### GREEN

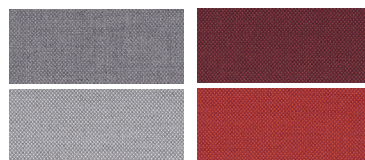
SHELL: FIORD 991  
CUSHIONS: FIORD 971

### BLUE

SHELL: FIORD 791  
CUSHIONS: FIORD 771

### DARK GREY

SHELL: FIORD 391  
CUSHIONS: FIORD 371



### WARM GREY

SHELL: FIORD 351  
CUSHIONS: FIORD 251

### RED

SHELL: FIORD 581  
CUSHIONS: FIORD 571

The Ro Sofa is also available in the following upholstery:

**Fritz Hansen Colours:** The Fritz Hansen Colours are created exclusively by Republic of Fritz Hansen's own design team and consist of serene pale pink, warm and earthy terracotta orange and finally deep ocean blue.

**Fabrics:** Canvas (cushions only), Capture, Diablo (cushions only), Fame, Fiord, Divina, Divina Melange, Divina MD, Hallingdal, Remix (cushions only), Steelcut, Steelcut Trio, Sunniva and Tonus.

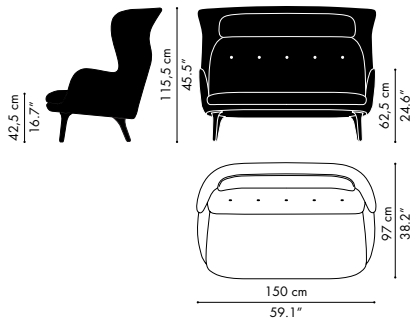




## VARIATIONS & DIMENSIONS

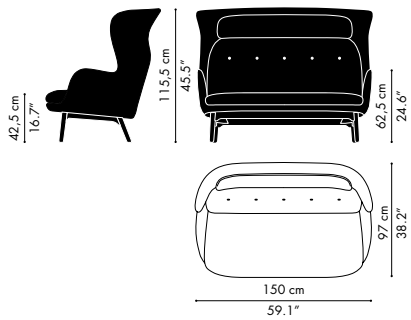
### JH110

THE MEASUREMENTS CAN VARY +/- 5 %



### JH120

THE MEASUREMENTS CAN VARY +/- 5 %



## WARRANTY

A five-year warranty against manufacturing defects in standard products (materials and workmanship). Wear, tear and damage to the product are not covered under this warranty. Claims from end users under the guarantee must be submitted to the vendor from whom the product was purchased. All measurements are indicative.

### STANDARD WARRANTY:

5 years

### MY REPUBLIC EXTENDED WARRANTY:

5 years: Fabric, Wooden base, Cushions.

10 years: Brushed aluminium base, Shell.

To obtain an extended warranty offered through My Republic the products should be registered online. Go to [www.fritzhanzen.com/myrepublic](http://www.fritzhanzen.com/myrepublic) to register.



## ENVIRONMENTAL PRODUCT INFORMATION

Sofa for meeting, lounge and waiting areas as well as private use.

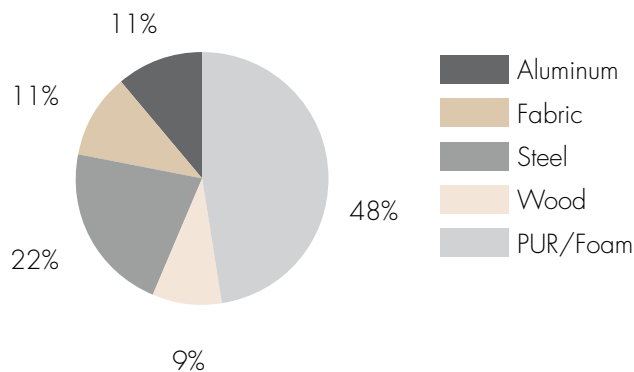
### MATERIALS

The shell is made of hard polyurethane foam with glass fibre enforcement edges. The seat cushion is moulded polyurethane foam. The back cushion is cut from plates of foam. The neck cushion is form-pressed veneer with super soft foam. It is mounted with 2 screws and it is possible to change the whole cushion.

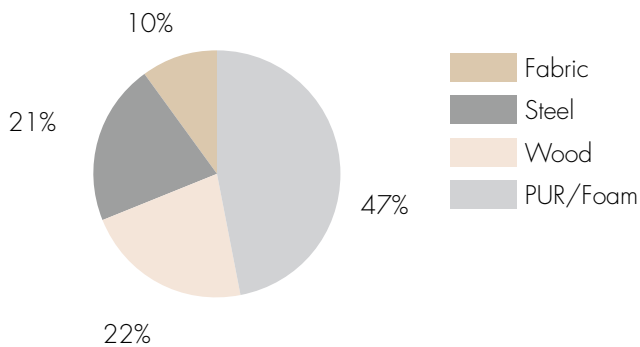
#### Materials in %

The below figures illustrate the weight allocation between the different materials used. Items with a weight <1% of the total product weight are not included in the figures below. The upholstery percentage may vary depending on the upholstery type.

Model JH110:



Model JH120:



### PACKAGING MATERIAL

The sofa is covered with a plastic bag and PE foam and shipped and protected in cardboard. All packaging material can be recycled

### REPAIR, DISPOSAL AND REUSE

In the case of disposal the sofa can be disassembled into different parts (shell, loose cushions and legs) for recycling, special handling and repair. The shell requires special handling because of the embedded veneer and steel frame. The foam in the loose cushions can be granulated and re-used. The legs and all other metal parts can be recycled.

## MANUFACTURING PROCESSES

#### Foam

Foam for filling and upholstery is freon-free. Remnants are granulated wherever possible, for recycling as cushion filling.

#### Glue

Glue used for upholstery is waterbased. Solvent glue is used between the foam and the hard polyurethane shell.

#### Metals

Production scrap (steel and aluminium) is collected for recycling.

#### Plastic

Plastic components are identified with a recycling code whenever possible to facilitate the return of the materials to the recycling stream

## MANAGEMENT SYSTEMS

#### Environmental Systems

We are aware of our environmental responsibilities. Therefore, in the autumn of 2004 Fritz Hansen obtained the ISO 14001 certification in the environmental management system. The certification is a guarantee to our customers and the authorities that we comply with the requirements of the ISO 14001:2015 standard.

#### Quality System

Fritz Hansen is also certified according to the quality system ISO 9001:2015.

#### Employee Health and Safety

Fritz Hansen aims at meeting or exceeding OSHA standards.

## LONG LIFETIME

A long lifetime of a piece of furniture is an important environmental factor. Fritz Hansen aims to obtain a long lifetime through timeless design and strict requirements for strength, durability and stability. The sofa complies with the requirements for EN 16139 L1, general contract use.

## MORE INFORMATION

Please visit [www.fritzhansen.com](http://www.fritzhansen.com) for additional environmental information and to download our Perspective on Sustainability & Corporate Environmental Policy.

