

Allsteel®

Beyond®

**Specification Guide 2022**

PDF updated October 11, 2022

## GLASS TYPES

### GLASS CODES

1/2" Tempered, Clear.....	HA
1/2" Tempered, Low Iron.....	HB
1/2" Laminated, Clear.....	HC
1/2" Laminated, Low Iron.....	HD
1/2" Laminated, High Performance, Clear.....	HG
1/2" Laminated, High Performance, Low Iron.....	HH
1/4" Tempered, Clear.....	QA
1/4" Tempered, Low Iron.....	QB
1/4" Laminated, Clear.....	QC
1/4" Laminated, Low Iron.....	QD
1/4" Laminated, Clear, Translucent White.....	QE
1/4" Laminated, Low Iron, Marker Board.....	QF
1/4" Laminated, High Performance, Clear.....	QG
1/4" Laminated, High Performance, Low Iron.....	QH
1/4" Laminated, Clear, Marker Board.....	QL
3/8" Tempered, Clear.....	TA
3/8" Tempered, Low Iron.....	TB
3/8" Laminated, Clear.....	TC
3/8" Laminated, Low Iron.....	TD
3/8" Laminated, Clear, Translucent White.....	TE
3/8" Laminated, Low Iron, Marker Board.....	TF
3/8" Laminated, High Performance, Clear.....	TG
3/8" Laminated, High Performance, Low Iron.....	TH
3/8" Laminated, Clear, Marker Board.....	TL
3/8" Back-to-Back Back-Painted, Low Iron, Turquoise.....	TN
3/8" Back-to-Back Back-Painted, Low Iron, Cherry.....	TP
3/8" Back-to-Back Back-Painted, Low Iron, Lawn.....	TQ
3/8" Back-to-Back Back-Painted, Low Iron, Jet.....	TR
3/8" Back-to-Back Back-Painted, Low Iron, Mandarin.....	TS
3/16" Back-Painted, Low Iron, Marker Board, White.....	OA
3/16" Back-Painted, Low Iron, Marker Board, Magnetic, White.....	OB
5/16" Laminated, Low Iron, Marker Board, Magnetic.....	QW

## PAINT COLORS

### BEYOND – PAINTED SURFACE TILES

#### PAINT COLORS GRADE 1

Textured Brownstone.....	P7J
Textured Charblack.....	XCBK
Textured Designer White.....	PK7
Textured Flint.....	P7A
Textured Loft.....	P7L
Textured Muslin.....	P7M
Textured Pebble.....	P8Y
Textured Salt.....	P8Z
Textured Titanium.....	P8V

### BEYOND FRAME FINISHES

#### PAINT COLORS - GRADE 1

Black.....	P7I
Brownstone.....	P7D
Bungalow.....	P7C
Cinder.....	P7Q
Designer White.....	PJW
Flint.....	P02
Fossil.....	P28
Loft.....	P7B
Muslin.....	P4J
Parchment.....	P93
Pebble.....	P8R
Pewter.....	P8D
Salt.....	P8C
Textured Black Mica <i>Discontinued 6/30/2022</i> .....	P6P
Textured Brownstone.....	P7J
Textured Charblack.....	XCBK
Textured Designer White.....	PK7
Textured Flint/Charcoal.....	P7A
Textured Loft.....	P7L
Textured Muslin.....	P7M
Textured Pebble.....	P8Y
Textured Salt.....	P8Z
Textured Titanium.....	P8V
Titanium.....	P8T

## PAINT COLORS – continued

### BEYOND FRAME FINISHES

#### PAINT COLORS - GRADE 2

Champagne Metallic.....	PR5
Gunmetal Metallic.....	PR3
Matte Gold.....	P8G
Night Bronze.....	P8B
Pyrite.....	PJE
Silver.....	PR6
Solar Black.....	P8X

## VENEER FINISHES

### STRATAWOOD VENEERS - GRADE 1

All Tiles, Solid Doors

Beigewood.....	SE878
Belair.....	SE934
Burnished Cherry.....	SC777
Cinnamon/Biltmore Cherry.....	SC260
Clear Cherry.....	SC700
Clear Maple.....	SE800
Clear Rift Oak.....	SF300
Clear Silver Oak.....	SB100
Dark Rift Oak.....	SF331
Field Elm.....	SE599
Florence Walnut.....	ST579
Harvest Maple.....	SE856
Light Cherry.....	SC701
Light Walnut.....	ST601
Lowell Ash Cherry.....	SC394
Phantom Ecru.....	SE912
Pinnacle Walnut.....	ST679
Portico Teak.....	SB150
Shaker Cherry.....	SC774
Skyline Walnut.....	ST625
Sumatra Walnut.....	ST693

### NATURAL VENEERS - GRADE 1

Monolithic and Base Tiles Only, Solid Doors

Burnished Cherry.....	NC777
Cinnamon/Biltmore Cherry.....	NC260
Clear Maple.....	NE800
Ebony Walnut.....	NT509
Florence Walnut.....	NT579
Harvest Maple.....	NE856
Light Cherry.....	NC701
Light Walnut.....	NT601
Lowell Ash.....	NC394
Medium Red Cherry.....	NC512
Nutmeg Walnut.....	NT629
Pinnacle Walnut.....	NT679
Shaker Cherry.....	NC774
Skyline Walnut.....	NT625
Sumatra Walnut.....	NT693

### NATURAL VENEERS - GRADE 2

Dark Rift Cut Oak.....	RF331
Fawn Cypress Rift Cut Oak.....	RF108
Light Rift Cut Oak.....	RF301
Phantom Ecru Rift Cut Oak.....	RF912

## LAMINATE FINISHES

### SOLID LAMINATES - GRADE 1

All Tiles, Solid Doors

Black.....	P
Brownstone.....	LM13
Bungalow.....	LM12
Designer White.....	LDW1
Flint.....	LM16
Fossil Shale.....	LEH1
Loft.....	LM11
Muslin.....	LM15
Titanium.....	LT11

## LAMINATE FINISHES – continued

### WOODGRAIN LAMINATES - GRADE 1

Monolithic and Base Tiles Only, Solid Doors

Belair.....	LWBA
Bourbon Cherry.....	H
Field Elm.....	LWFE
Florence Walnut.....	LWF1
Kingswood Walnut.....	LK11
NeoWalnut.....	LNU1
Pinnacle.....	PINC
Shaker Cherry.....	LW7C

### WOODGRAIN LAMINATES - GRADE 2

Monolithic and Base Tiles Only, Solid Doors

Beigewood.....	LWBE
Fawn Cypress.....	LFC1
Lowell Ash.....	LLA1
Mangalore Mango.....	LMM1
Natural Recon.....	LNR1
Phantom Charcoal.....	LPC1
Phantom Ecru.....	LPE1
Portico Teak.....	LPT1
Skyline Walnut.....	LSW1
Veranda Teak.....	LVT1

### WOODGRAIN LAMINATES - GRADE 3

Monolithic and Base Tiles Only, Solid Doors

Natural Walnut.....	LWNW
---------------------	------

## SOLID DOOR FINISHES

### PAINTED WOOD - GRADE 1

Black.....	P27
Brownstone.....	P7D
Bungalow.....	P7C
Carob.....	P52
Designer White (25).....	PJW
Flint.....	P02
Fossil.....	P28
Loft.....	P7B
Muslin.....	P4J
Parchment.....	P93

### PAINTED WOOD - GRADE 2

Champagne Metallic.....	PR5
Gunmetal Metallic.....	PR3
Platinum Metallic.....	PR2

## POLYMERS

### BEYOND ZIPPERS

Designer White.....	DW
Grey.....	EC
Warm Tone.....	EF
Brownstone.....	BW
Black-Kloeber (20 gloss).....	E4

### ELECTRICAL — FRAMED AND

#### SOLID PANELS

Black-Kloeber (20 gloss).....	E4
Brownstone.....	EY
Designer White.....	DW
Flint.....	E9
Loft.....	EV
Muslin.....	EU
Silver.....	ES

### ELECTRICAL — FRAMELESS PANELS

Silver.....	ES
Black-Kloeber (20 gloss).....	E4

### VERTICAL FILLERS — FRAMELESS

#### PANELS

Clear Polycarbonate.....	CPC
Satin Anodized Aluminum.....	SAL

### EXPOSED DOOR HARDWARE

Silver.....	SIL
Black.....	BLK

Choosing Beyond signals a change in direction, creating transparency between management and teams. It signals a change in spirit, through inspiring spaces filled with natural light and connected to the open plan. And when physical moves are required, no walls are more responsive.



### Pavilion

Beyond glass movable walls offer built-in flexibility that responds to the constant rhythm of business change. With efficient functionality and a large selection of aesthetic choices, you can move beyond permanent drywall solutions and create dynamic spaces filled with natural light that are reconfigurable to easily manage whatever change the future brings. Tiles can be configured and reconfigured in a variety of materials including tackable fabric, writable magnetic marker board, painted surface, laminate, and veneer.

### Team Rooms & Huddle Spaces

Design modular, cohesive spaces with seamless integration of technology and furniture. Beyond solid panels and frameless privacy tiles support workspaces and shelves. Solid panel frames support overheads by utilizing built-in slotted standards. Power and data can be routed through panels using modular or hardwired electrical.



### Traditional & Micro Office

Beyond solid walls integrate fully with Beyond framed and frameless glass movable walls to create a unique and flexible workspace. Quality-controlled unitized construction includes a patented scissor-lift mechanism that's integrated within the base channel and adjusts easily with a power tool. Modular, non-progressive design allows for reconfiguration without having to add dimension to a run.

# Table of Contents

Beyond®

Finishes.....	<a href="#">Inside Front Cover</a>	<b>Site Review</b> .....	<b>70</b>
General Overview .....	<b>3</b>	Review Delivery Requirements .....	70
Table of Contents.....	<b>4-5</b>	<b>Selling/Installing Beyond in a Seismic Zone.....</b>	<b>71-75</b>
New, Revised, & Discontinued Products .....	<b>6-29</b>	Anchoring .....	72-75
Materials and Finishes.....	<b>30-35</b>	<b>Working with Beyond® .....</b>	<b>77-306</b>
Frame Finishes.....	30-30.1	Enhanced Acoustics .....	76
Tile and Solid Door Finishes .....	31-34	Ceiling Connection.....	77
Polymer Finishes.....	35	Connecting to Grid .....	78-81
<b>Glass Information &amp; Acoustical Performance .....</b>	<b>36</b>	Freestanding Applications.....	82-91
<b>Glass Codes &amp; Hardware Finishes .....</b>	<b>37</b>	SDC A-B: Freestanding Panels .....	92-98
<b>Limited Lifetime Warranty .....</b>	<b>38</b>	SDC A-B: Freestanding Panels + Wood Slats .....	99-103
<b>COM Policy.....</b>	<b>39-40</b>	SDC C-F: Freestanding Panels.....	104-110
<b>Special Paint, Stain, and Laminate Policy .....</b>	<b>41</b>	SDC C-F: Freestanding Panels + Wood Slats.....	111-113
<b>Sample Yardage and Fabric Care.....</b>	<b>42</b>	Beyond Supported Suspended Ceiling.....	114-118
<b>Veneer Care.....</b>	<b>43</b>	Connecting to Ceiling .....	119-122
<b>Definitions and Acronyms .....</b>	<b>44-46</b>	Base Channel .....	123
<b>Sustainability Information .....</b>	<b>47-48</b>	Panel Leveling.....	124-125
<b>Statement of Line .....</b>	<b>49-69</b>	Frameless Panels .....	126-127
Ceiling Channel/Tegular Spacer .....	49	Frameless Trim.....	128-131
Frameless Panels .....	50-53	Frameless Trim Keys .....	132-134
Frameless Electrical.....	54	Frameless Vertical Fillers.....	135-137
Framed/Solid Panels .....	55-61	Frameless Wall Channel .....	138-139
Framed/Solid Electrical.....	62	Frameless Adapters.....	140-142
Framed/Solid Furniture Integration.....	63	Frameless Finished End.....	143-144
Posts, Wall Channel, and End Caps.....	64	Frameless Electrical and Data.....	145-153
Doors .....	65-68	Modular Electrical for Frameless Glass Walls .....	145-150
Door Hardware .....	69	Data for Frameless Glass Walls.....	151
		Hardwired Electrical Porting for Frameless Glass Walls.....	152-153
		Frameless Privacy Tile System .....	154-164
		Frameless Technology Integration .....	165-167
		Framed Glass.....	168-171

OVERVIEW  
TABLE OF CONTENTS  
NEW, REVISED, AND DISCONTINUED  
MATERIALS AND FINISHES  
WARRANTY  
POLICIES AND PRODUCT CARE  
DEFINITIONS AND ACRONYMS  
SUSTAINABILITY  
STATEMENT OF LINE  
SITE REVIEW

Solid Panels.....	172-185	Doors .....	255-306
Solid Panels with Integrated Glass .....	180	General Information .....	255-257
Solid Spanning Tiles .....	181	Sliding Doors .....	258-276
Framed Glass and Stackers.....	182	Door Hardware.....	277-278
Framed and Solid Integrated Mounting Rail.....	183	Center Swing Pivot Doors.....	279-289
Solid Panel Frames .....	185	Hinged Doors .....	290-303
Solid Tiles.....	186-193	Door Hardware.....	304-306
Solid Tiles - Ported .....	189-191	<b>Beyond® Cabana Application .....</b>	<b>307-309</b>
Integrated Glass Tiles / Stackers .....	192	<b>Beyond® Viz .....</b>	<b>310-321</b>
Wall-Mounted Marker Board .....	193	Beyond Viz Pre-Specification Guide.....	312-321
Framed and Solid Trim .....	194-195	<b>Beyond® Model Reference Guide .....</b>	<b>322-343</b>
Framed and Solid Zippers.....	196-198	<b>Appendix.....</b>	<b>344-346</b>
Framed and Solid Posts.....	199-202	Additional Resources .....	344
Zipper-Based Connector.....	203-205	Specification and Pricing .....	344
Framed and Solid Wall Channels .....	206-208	Training .....	344
Framed and Solid Finished Ends .....	209-210	Contacts.....	344
Drywall End Caps .....	211-213	Fabrics.....	345
Furniture Integration .....	214-217	Partnership Program Upholstery .....	346
Framed and Solid Electrical and Data .....	218-244		
Technology Integration .....	245-250		
Beyond Installation.....	251-254		

**NOTE ABOUT CHANGED MODEL LOGIC AND CONFIGURATION ID**

- Configuration ID is a dynamic series of numbers that holds information about the model SKU. Examples are options, feature selections, and finishes.
- Configuration ID is represented as "#####" in specification guide. Note that the actual character length may vary.
- Example: BY-FRMDPANEL.#####

**PRODUCT CHANGES**

- Enhanced acoustics for ceiling grid clips, framed and solid panels, and sliding doors.

**NEW FINISHES**

- Designer White Zipper – Code DW
- Matte Gold, Grade P2 – Code P8G
- Textured Charblack, Grade P1 – Grade XCBK
- Stratawood Veneers V1
  - Belair on Stratawood Maple – Code SE934
  - Field Elm on Stratawood Maple – Code SE599
  - Beigewood on Stratawood Maple – Code SE878
- Natural Veneer V2
  - Fawn Cypress on White Rift Oak – Code RF108
- L1 Laminates
  - Belair – Code LWBA
  - Field Elm – Code LWFE
  - Bourbon Cherry – Code H
  - Black – Code P
  - Pinnacle – Code PINC

**DISCONTINUING FINISHES**

- Carob – Code P52, Discontinued 12/31/2020
- Soft White Zipper, Discontinued 12/31/2020
- Branded Oak – Code LBO1, Discontinuing 12/31/2021
- Cafelle – Code LWC, Discontinuing 12/31/2021
- Ebony Recon – Code LER1, Discontinuing 12/31/2021
- Charcoal Walnut – Code LWCW, Discontinuing 6/30/2022
- Columbian Walnut – Code LWZ, Discontinuing 6/30/2022
- Amber Cherry – Code LWAC, Discontinuing 6/30/2022
- Textured Black Mica – Code P6P, Discontinuing 6/30/2022

Models Discontinued December 31, 2020

BASE MODEL	DESCRIPTION	REPLACEMENT MODEL
BYRPG	Door Pull - 20"H Ladder Pull GL Door	BY-PULL20
BYRPW	Door Pull - 20"H Ladder Pull WD/AL Door	BY-PULL20
BYLPG60	Door Pull - 60"H Ladder Pull GL Door	BY-PULL60
BYLPW60	Door Pull - 60"H Ladder Pull WD/AL Door	BY-PULL60
BYLPG72	Door Pull - 72"H Ladder Pull GL Door	49" and 60" Passage and Locking pulls available
BYLPW72	Door Pull - 72"H Ladder Pull WD/AL Door	49" and 60" Passage and Locking pulls available

MODEL REFERENCE GUIDE

OLD BASE MODEL	OLD DESCRIPTION	NEW BASE MODEL	NEW DESCRIPTION
BFG-AE4-DD1	Beyond Duplex Receptacle - Circuit 1	BY-FG4DUPLEX	Duplex, 4-Wire
BFG-AE4-DD2	Beyond Duplex Receptacle - Circuit 2	BY-FG4DUPLEX	Duplex, 4-Wire
BFG-AE4-DJ0S	Beyond Power Jumper	BY-FG4JUMPER	Jumper, 4-wire
BFG-AE4-DJ102S	102" Power Jumper	BY-FG4JUMPER	Jumper, 4-wire
BFG-AE4-DJ108S	108" Power Jumper	BY-FG4JUMPER	Jumper, 4-wire
BFG-AE4-DJ114S	114" Power Jumper	BY-FG4JUMPER	Jumper, 4-wire
BFG-AE4-DJ120S	120" Power Jumper	BY-FG4JUMPER	Jumper, 4-wire
BFG-AE4-DJ126S	126" Power Jumper	BY-FG4JUMPER	Jumper, 4-wire
BFG-AE4-DJ12S	12" Power Jumper	BY-FG4JUMPER	Jumper, 4-wire
BFG-AE4-DJ132S	132" Power Jumper	BY-FG4JUMPER	Jumper, 4-wire
BFG-AE4-DJ138S	138" Power Jumper	BY-FG4JUMPER	Jumper, 4-wire
BFG-AE4-DJ144S	144" Power Jumper	BY-FG4JUMPER	Jumper, 4-wire
BFG-AE4-DJ18S	18" Power Jumper	BY-FG4JUMPER	Jumper, 4-wire
BFG-AE4-DJ24S	24" Power Jumper	BY-FG4JUMPER	Jumper, 4-wire
BFG-AE4-DJ30S	32" Power Jumper	BY-FG4JUMPER	Jumper, 4-wire
BFG-AE4-DJ36S	36" Power Jumper	BY-FG4JUMPER	Jumper, 4-wire
BFG-AE4-DJ42S	42" Power Jumper	BY-FG4JUMPER	Jumper, 4-wire
BFG-AE4-DJ48S	48" Power Jumper	BY-FG4JUMPER	Jumper, 4-wire
BFG-AE4-DJ54S	54" Power Jumper	BY-FG4JUMPER	Jumper, 4-wire
BFG-AE4-DJ60S	60" Power Jumper	BY-FG4JUMPER	Jumper, 4-wire
BFG-AE4-DJ66S	66" Power Jumper	BY-FG4JUMPER	Jumper, 4-wire
BFG-AE4-DJ6S	6" Power Jumper	BY-FG4JUMPER	Jumper, 4-wire
BFG-AE4-DJ72S	72" Power Jumper	BY-FG4JUMPER	Jumper, 4-wire
BFG-AE4-DJ78S	78" Power Jumper	BY-FG4JUMPER	Jumper, 4-wire
BFG-AE4-DJ84S	84" Power Jumper	BY-FG4JUMPER	Jumper, 4-wire
BFG-AE4-DJ90S	90" Power Jumper	BY-FG4JUMPER	Jumper, 4-wire
BFG-AE4-DJ96S	96" Power Jumper	BY-FG4JUMPER	Jumper, 4-wire
BFG-AE4-HCONN	Beyond H-Connector	BY-FG4HCONN	H-Connector, 4-Wire
BFG-AE4-MM36S	Beyond Male-to-Male Conversion Jumper 36"	BY-FG4MMJUMPER	Male-to-Male Jumper, 4-Wire
BFG-AE4-PE144	144" Flexible Conduit	BY-FG4INFEED	In-Feed, 4-Wire
BFG-AE4-PE216	216" Flexible Conduit	BY-FG4INFEED	In-Feed, 4-Wire
BFG-AE4-PE300	300" Flexible Conduit	BY-FG4INFEED	In-Feed, 4-Wire
BFG-AE4-PE72	72" Flexible Conduit	BY-FG4INFEED	In-Feed, 4-Wire
BFGBDF	Flat Button - Double Sided	BY-FGBUTTON	Privacy Tile Button
BFGBNF	Flat Button - Distraction Marker	BY-FGBUTTON	Privacy Tile Button
BFGBSF	Flat Button - Single Sided	BY-FGBUTTON	Privacy Tile Button
BFGCK050	Beyond Corner Keys-50 Pack	BY-FGTKEYS	Frameless Trim Keys
BFGCK250	Beyond Corner Keys-250 Pack	BY-FGTKEYS	Frameless Trim Keys
BFGDFFAF	Beyond Frm Door Frame-Frameless Adapter Full Ht	BY-FGADAPTER	Frameless-to-Solid/Door Adapter
BFGFAE	Floor Anchor - Finished Ends	BY-FGANCHOR	Frameless Seismic Anchor
BFGFAL	Floor Anchor - 2-Way	BY-FGANCHOR	Frameless Seismic Anchor
BFGFAS	Floor Anchor - Straight	BY-FGANCHOR	Frameless Seismic Anchor

OVERVIEW  
 TABLE OF CONTENTS  
 NEW, REVISED, AND DISCONTINUED  
 MATERIALS AND FINISHES  
 WARRANTY  
 POLICIES AND PRODUCT CARE  
 DEFINITIONS AND ACRONYMS  
 SUSTAINABILITY  
 STATEMENT OF LINE  
 SITE REVIEW



MODEL REFERENCE GUIDE

OLD BASE MODEL	OLD DESCRIPTION	NEW BASE MODEL	NEW DESCRIPTION
BFGHK	Beyond Hard Surface Installation Kit	BY-HSKIT	Hard Surface Installation Kit
BFGLBTN	Base Trim, Low Profile - Inside Corner	BY-FGLBTRIM	Low Profile Base Trim
BFGLBTS	Base Trim, Low Profile - Straight	BY-FGLBTRIM	Low Profile Base Trim
BFGLBTU	Base Trim, Low Profile - Outside Corner	BY-FGLBTRIM	Low Profile Base Trim
BFGNK	Beyond Installation Kit	BY-KIT	Installation Kit
BFGPN08086	Frameless Glass 08W 086H	BY-FRMLSTPANEL / BY-FRMLSLPANEL	Frameless Glass Panel, Tempered / Frameless Glass Panel, Laminated
BFGPP40086	Frameless Perforated 40W 086H	BY-FRMLSTPANEL	Frameless Glass Panel, Tempered
BFGPTFAF	Post-Frameless Adapter Full Ht	BY-FGADAPTER	Frameless-to-Solid/Door Adapter
BFGPTSG2408	Privacy Tile Shelf - Glass 24W 8D	BY-FGRSHELF	Rail-Mounted Glass Shelf
BFGPTSG4008	Privacy Tile Shelf - Glass 40W 8D	BY-FGRSHELF	Rail-Mounted Glass Shelf
BFGPTSG4208	Privacy Tile Shelf - Glass 42W 8D	BY-FGRSHELF	Rail-Mounted Glass Shelf
BFGPTSG4808	Privacy Tile Shelf - Glass 48W 8D	BY-FGRSHELF	Rail-Mounted Glass Shelf
BFGPTTVK	TV Mounting Plate and Grommet	BY-FGTVPLATE	TV Plate and Grommet
BFGSBTEA048	Base Trim Square - Electrical/Data Anodized 48W	BY-FGEBTRIM	Electrical Base Trim
BFGSBTEP048	Base Trim Square - Electrical/Data Painted 48W	BY-FGEBTRIM	Electrical Base Trim
BFGSBTNA024	Base Trim Square - Inside Corner Anodized 24W	BY-FGSBTRIM	Standard Base Trim
BFGSBTNA096	Base Trim Square - Inside Corner Anodized 96W	BY-FGSBTRIM	Standard Base Trim
BFGSBTNP024	Base Trim Square - Inside Corner Painted 24W	BY-FGSBTRIM	Standard Base Trim
BFGSBTNP096	Base Trim Square - Inside Corner Painted 96W	BY-FGSBTRIM	Standard Base Trim
BFGSBTSA120	Base Trim Square - Straight Anodized 120W	BY-FGSBTRIM	Standard Base Trim
BFGSBTSP120	Base Trim Square - Straight Painted 120W	BY-FGSBTRIM	Standard Base Trim
BFGSBTUA024	Base Trim Square - Outside Corner Anodized 24W	BY-FGSBTRIM	Standard Base Trim
BFGSBTUA096	Base Trim Square - Outside Corner Anodized 96W	BY-FGSBTRIM	Standard Base Trim
BFGSBTUP024	Base Trim Square - Outside Corner Painted 24W	BY-FGSBTRIM	Standard Base Trim
BFGSBTUP096	Base Trim Square - Outside Corner Painted 96W	BY-FGSBTRIM	Standard Base Trim
BFGSCTNA024	Ceiling Trim Square - Inside Corner Anodized 24W	BY-FGCTRIM	Ceiling Trim
BFGSCTNA096	Ceiling Trim Square - Inside Corner Anodized 96W	BY-FGCTRIM	Ceiling Trim
BFGSCTNP024	Ceiling Trim Square - Inside Corner Painted 24W	BY-FGCTRIM	Ceiling Trim
BFGSCTNP096	Ceiling Trim Square - Inside Corner Painted 96W	BY-FGCTRIM	Ceiling Trim
BFGSCTSA120	Ceiling Trim Square - Straight Anodized 120W	BY-FGCTRIM	Ceiling Trim
BFGSCTSP120	Ceiling Trim Square - Straight Painted 120W	BY-FGCTRIM	Ceiling Trim
BFGSCTUA024	Ceiling Trim Square - Outside Corner Anodized 24W	BY-FGCTRIM	Ceiling Trim
BFGSCTUA096	Ceiling Trim Square - Outside Corner Anodized 96W	BY-FGCTRIM	Ceiling Trim
BFGSCTUP024	Ceiling Trim Square - Outside Corner Painted 24W	BY-FGCTRIM	Ceiling Trim
BFGSCTUP096	Ceiling Trim Square - Outside Corner Painted 96W	BY-FGCTRIM	Ceiling Trim
BFGSK050	Straight Keys - 50 pack	BY-FGTKEYS	Frameless Trim Keys
BFGSK250	Straight Keys - 250 pack	BY-FGTKEYS	Frameless Trim Keys
BFGTAL	Top Anchor - 2-Way	BY-FGANCHOR	Frameless Seismic Anchor
BFGTAS	Top Anchor - Straight	BY-FGANCHOR	Frameless Seismic Anchor

MODEL REFERENCE GUIDE

OLD BASE MODEL	OLD DESCRIPTION	NEW BASE MODEL	NEW DESCRIPTION
BFGURFE	Bynd Frmlss End of Run Finished End	BY-FGEND	Frameless Glass Finished End
BFGUWCFA###	Wall Channel - Fixed Anodized ###H	BY-FGWCHANNEL	Wall Channel
BFGUWCFP###	Wall Channel - Fixed Painted ###H	BY-FGWCHANNEL	Wall Channel
BFGVFL###	Vertical Filler 2-Way ###H	BY-FGFILLER	Vertical Filler
BFGVFS###	Vertical Filler Straight ###H	BY-FGFILLER	Vertical Filler
BFGVFT###	Vertical Filler 3-Way ###H	BY-FGFILLER	Vertical Filler
BFGVFX###	Vertical Filler 4-Way ###H	BY-FGFILLER	Vertical Filler
BFGVFX###	Vertical Filler 135 Degree ###H	BY-FGFILLER	Vertical Filler
BFGVHB	Beyond VHB Tape - 70' Roll	BY-VHB	VHB Tape = 70' Roll
BFGWSHVR	Glass Window Sill U Channel	BY-FGSILLTRIM	Frameless Window Sill U-Channel
BFGWSDVV80048	Wall Tile Set Double Vertical-Veneer 80W 48H	BY-FGTILEVSETF	Rail-Mounted Natural Veneer Privacy Set, Floating or Base
BFGWSDVV84048	Wall Tile Set Double Vertical-Veneer 84W 48H	BY-FGTILEVSETF	Rail-Mounted Natural Veneer Privacy Set, Floating or Base
BFGWSDVV96048	Wall Tile Set Double Vertical-Veneer 96W 48H	BY-FGTILEVSETF	Rail-Mounted Natural Veneer Privacy Set, Floating or Base
BFGWSFVV80048	Wall Tile Set Full Ht Vertical-Veneer 80W 48H	BY-FGTILEVSETF	Rail-Mounted Natural Veneer Privacy Set, Floating or Base
BFGWSFVV80072	Wall Tile Set Full Ht Vertical-Veneer 80W 72H	BY-FGTILEVSETF	Rail-Mounted Natural Veneer Privacy Set, Floating or Base
BFGWSFVV84048	Wall Tile Set Full Ht Vertical-Veneer 84W 48H	BY-FGTILEVSETF	Rail-Mounted Natural Veneer Privacy Set, Floating or Base
BFGWSFVV84072	Wall Tile Set Full Ht Vertical-Veneer 84W 72H	BY-FGTILEVSETF	Rail-Mounted Natural Veneer Privacy Set, Floating or Base
BFGWSFVV96048	Wall Tile Set Full Ht Vertical-Veneer 96W 48H	BY-FGTILEVSETF	Rail-Mounted Natural Veneer Privacy Set, Floating or Base
BFGWSFVV96072	Wall Tile Set Full Ht Vertical-Veneer 96W 72H	BY-FGTILEVSETF	Rail-Mounted Natural Veneer Privacy Set, Floating or Base
BFGWSHVV80037	Wall Tile Set Half Ht Mod Vert-Veneer 80W 37H	BY-FGTILEVSETM	Rail-Mounted Natural Veneer Privacy Set with Modesty
BFGWSHVV80061	Wall Tile Set Half Ht Mod Vert-Veneer 80W 61H	BY-FGTILEVSETM	Rail-Mounted Natural Veneer Privacy Set with Modesty
BFGWSHVV84037	Wall Tile Set Half Ht Mod Vert-Veneer 84W 37H	BY-FGTILEVSETM	Rail-Mounted Natural Veneer Privacy Set with Modesty

OVERVIEW  
 TABLE OF CONTENTS  
 NEW, REVISED, AND DISCONTINUED  
 MATERIALS AND FINISHES  
 WARRANTY  
 POLICIES AND PRODUCT CARE  
 DEFINITIONS AND ACRONYMS  
 SUSTAINABILITY  
 STATEMENT OF LINE  
 SITE REVIEW

MODEL REFERENCE GUIDE

OLD BASE MODEL	OLD DESCRIPTION	NEW BASE MODEL	NEW DESCRIPTION
BFGWSHV84061	Wall Tile Set Half Ht Mod Vert-Veneer 84W 61H	BY-FGTILEVSETM	Rail-Mounted Natural Veneer Privacy Set with Modesty
BFGWSHV96037	Wall Tile Set Half Ht Mod Vert-Veneer 96W 37H	BY-FGTILEVSETM	Rail-Mounted Natural Veneer Privacy Set with Modesty
BFGWSHV96061	Wall Tile Set Half Ht Mod Vert-Veneer 96W 61H	BY-FGTILEVSETM	Rail-Mounted Natural Veneer Privacy Set with Modesty
BFGWSMV80013	Wall Tile Set Half Ht Mod Vert-Veneer 80W 13H	BY-FGTILEVSETM	Rail-Mounted Natural Veneer Privacy Set with Modesty
BFGWSMV84013	Wall Tile Set Half Ht Mod Vert-Veneer 84W 13H	BY-FGTILEVSETM	Rail-Mounted Natural Veneer Privacy Set with Modesty
BFGWSMV96013	Wall Tile Set Half Ht Mod Vert-Veneer96W 13H	BY-FGTILEVSETM	Rail-Mounted Natural Veneer Privacy Set with Modesty
BFGWSSV80024	Wall Tile Set Single Vertical-Veneer 80W 24H	BY-FGTILEVSETF	Rail-Mounted Natural Veneer Privacy Set, Floating
BFGWSSV84024	Wall Tile Set Single Vertical-Veneer 84W 24H	BY-FGTILEVSETF	Rail-Mounted Natural Veneer Privacy Set, Floating
BFGWSSV96024	Wall Tile Set Single Vertical-Veneer 96W 24H	BY-FGTILEVSETF	Rail-Mounted Natural Veneer Privacy Set, Floating
BFGWTBMG40048	Wall Tile Button-Mt Standard Glass 40W 48H	BY-FGBMTILE	Button-Mounted Privacy Tile (Laminated Glass)
BFGWTBMG42048	Wall Tile Button-Mt Standard Glass 42W 48H	BY-FGBMTILE	Button-Mounted Privacy Tile (Laminated Glass)
BFGWTBMG48048	Wall Tile Button-Mt Standard Glass 48W 48H	BY-FGBMTILE	Button-Mounted Privacy Tile (Laminated Glass)
BFGWTBMLG40048	Wall Tile Button-Mt Inside Left Glass 40W 48H	BY-FGBMTILE	Button-Mounted Privacy Tile (Laminated Glass)
BFGWTBMLG42048	Wall Tile Button-Mt Inside Left Glass 42W 48H	BY-FGBMTILE	Button-Mounted Privacy Tile (Laminated Glass)
BFGWTBMLG48048	Wall Tile Button-Mt Inside Left Glass 48W 48H	BY-FGBMTILE	Button-Mounted Privacy Tile (Laminated Glass)
BFGWTBMRG40048	Wall Tile Button-Mt Inside Right Glass 40W 48H	BY-FGBMTILE	Button-Mounted Privacy Tile (Laminated Glass)
BFGWTBMRG42048	Wall Tile Button-Mt Inside Right Glass 42W 48H	BY-FGBMTILE	Button-Mounted Privacy Tile (Laminated Glass)
BFGWTBMRG48048	Wall Tile Button-Mt Inside Right Glass 48W 48H	BY-FGBMTILE	Button-Mounted Privacy Tile (Laminated Glass)
BFGWTF40024	Wall Tile Full Height Fabric 40W 24H	BY-FGRTILEFAB	Rail-Mounted Fabric Tile
BFGWTF42024	Wall Tile Full Height Fabric 42W 24H	BY-FGRTILEFAB	Rail-Mounted Fabric Tile
BFGWTF48024	Wall Tile Full Height Fabric 48W 24H	BY-FGRTILEFAB	Rail-Mounted Fabric Tile
BFGWTFG80024	Wall Tile Full Height-MKB Glass 80W 24H	BY-FGRTILEGMB	Rail-Mounted Glass Marker Board Tile

MODEL REFERENCE GUIDE

OLD BASE MODEL	OLD DESCRIPTION	NEW BASE MODEL	NEW DESCRIPTION
BFGWTFG80048	Wall Tile Full Height-MKB Glass 80W 48H	BY-FGRTILEGMB	Rail-Mounted Glass Marker Board Tile
BFGWTFG84024	Wall Tile Full Height-MKB Glass 84W 24H	BY-FGRTILEGMB	Rail-Mounted Glass Marker Board Tile
BFGWTFG84048	Wall Tile Full Height-MKB Glass 84W 48H	BY-FGRTILEGMB	Rail-Mounted Glass Marker Board Tile
BFGWTFG96024	Wall Tile Full Height-MKB Glass 96W 24H	BY-FGRTILEGMB	Rail-Mounted Glass Marker Board Tile
BFGWTFG96048	Wall Tile Full Height-MKB Glass 96W 48H	BY-FGRTILEGMB	Rail-Mounted Glass Marker Board Tile
BFGWTFL40024	Wall Tile Full Height-Laminate 40W 24H	BY-FGRTILELAM	Rail-Mounted Laminate Tile
BFGWTFL42024	Wall Tile Full Height-Laminate 42W 24H	BY-FGRTILELAM	Rail-Mounted Laminate Tile
BFGWTFL48024	Wall Tile Full Height-Laminate 48W 24H	BY-FGRTILELAM	Rail-Mounted Laminate Tile
BFGWTFLEPL40024	WallTile FullHt Lam40W 24H ElecPorted BottomLft 80"OW	BY-FGRTILELAM	Rail-Mounted Laminate Tile
BFGWTFLEPL42024	WallTile FullHt Lam42W 24H ElecPorted BottomLft 84"OW	BY-FGRTILELAM	Rail-Mounted Laminate Tile
BFGWTFLEPL48024	WallTile FullHt Lam48W 24H ElecPorted BottomLft 96"OW	BY-FGRTILELAM	Rail-Mounted Laminate Tile
BFGWTFLEPR40024	WallTile FullHt Lam40W 24H ElecPorted BottomRt 80"OW	BY-FGRTILELAM	Rail-Mounted Laminate Tile
BFGWTFLEPR42024	WallTile FullHt Lam42W 24H ElecPorted BottomRt 84"OW	BY-FGRTILELAM	Rail-Mounted Laminate Tile
BFGWTFLEPR48024	WallTile FullHt Lam48W 24H ElecPorted BottomRt 96"OW	BY-FGRTILELAM	Rail-Mounted Laminate Tile
BFGWTFVEPL40024	WallTile FullHt Vert-Ven 40W 24H Elec Ported Pair 80"OW	BY-FGRTILEVEN	Rail-Mounted Veneer Tile
BFGWTFVEPL42024	WallTile FullHt Vert-Ven 42W 24H Elec Ported Pair 84"OW	BY-FGRTILEVEN	Rail-Mounted Veneer Tile
BFGWTFVEPL48024	WallTile FullHt Vert-Ven 48W 24H Elec Ported Pair 96"OW	BY-FGRTILEVEN	Rail-Mounted Veneer Tile
BFGWTFVEPR40024	WallTile FullHt Vert-Ven 40W 24H Elec Ported Pair 80"OW	BY-FGRTILEVEN	Rail-Mounted Veneer Tile
BFGWTFVEPR42024	WallTile FullHt Vert-Ven 42W 24H Elec Ported Pair 84"OW	BY-FGRTILEVEN	Rail-Mounted Veneer Tile
BFGWTFVEPR48024	WallTile FullHt Vert-Ven 48W 24H Elec Ported Pair 96"OW	BY-FGRTILEVEN	Rail-Mounted Veneer Tile
BFGWTFVV40024	Wall Tile Full Height Vertical-Veneer 40W 24H	BY-FGRTILEVEN	Rail-Mounted Veneer Tile
BFGWTFVV42024	Wall Tile Full Height Vertical-Veneer 42W 24H	BY-FGRTILEVEN	Rail-Mounted Veneer Tile
BFGWTFVV48024	Wall Tile Full Height Vertical-Veneer 48W 24H	BY-FGRTILEVEN	Rail-Mounted Veneer Tile
BFGWTHF40013	Wall Tile Half Ht Modesty Fabric 40W 13H	BY-FGRTILEFAB	Rail-Mounted Fabric Tile
BFGWTHF42013	Wall Tile Half Ht Modesty Fabric 42W 13H	BY-FGRTILEFAB	Rail-Mounted Fabric Tile
BFGWTHF48013	Wall Tile Half Ht Modesty Fabric 48W 13H	BY-FGRTILEFAB	Rail-Mounted Fabric Tile
BFGWTHL40013	Wall Tile Half Ht-Laminate 40W 13H	BY-FGRTILELAM	Rail-Mounted Laminate Tile

MODEL REFERENCE GUIDE

OLD BASE MODEL	OLD DESCRIPTION	NEW BASE MODEL	NEW DESCRIPTION
BFGWTHL42013	Wall Tile Half Ht-Laminate 42W 13H	BY-FGRTILELAM	Rail-Mounted Laminate Tile
BFGWTHL48013	Wall Tile Half Ht-Laminate 48W 13H	BY-FGRTILELAM	Rail-Mounted Laminate Tile
BFGWTHVV40013	Wall Tile Half Ht Modesty Vert-Veneer 40W 13H	BY-FGRTILEVEN	Rail-Mounted Veneer Tile
BFGWTHVV42013	Wall Tile Half Ht Modesty Vert-Veneer 42W 13H	BY-FGRTILEVEN	Rail-Mounted Veneer Tile
BFGWTHVV48013	Wall Tile Half Ht Modesty Vert-Veneer 48W 13H	BY-FGRTILEVEN	Rail-Mounted Veneer Tile
BFGWTKCDA80048	Wall Tile Kit-Dbl Flt Mid Panel Anodized 80W 48H	BY-FGRTRIMKIT	Rail-Mounted Privacy Trim Kit
BFGWTKCDA84048	Wall Tile Kit-Dbl Flt Mid Panel Anodized 84W 48H	BY-FGRTRIMKIT	Rail-Mounted Privacy Trim Kit
BFGWTKCDA96048	Wall Tile Kit-Dbl Flt Mid Panel Anodized 96W 48H	BY-FGRTRIMKIT	Rail-Mounted Privacy Trim Kit
BFGWTKCDP80048	Wall Tile Kit-Dbl Flt Mid Panel Painted 80W 48H	BY-FGRTRIMKIT	Rail-Mounted Privacy Trim Kit
BFGWTKCDP84048	Wall Tile Kit-Dbl Flt Mid Panel Painted 84W 48H	BY-FGRTRIMKIT	Rail-Mounted Privacy Trim Kit
BFGWTKCDP96048	Wall Tile Kit-Dbl Flt Mid Panel Painted 96W 48H	BY-FGRTRIMKIT	Rail-Mounted Privacy Trim Kit
BFGWTKCHA80037	Wall Tile Kit-Half Mod Mid Panel Anodized 80W 37H	BY-FGRTRIMKIT	Rail-Mounted Privacy Trim Kit
BFGWTKCHA80061	Wall Tile Kit-Half Mod Mid Panel Anodized 80W 61H	BY-FGRTRIMKIT	Rail-Mounted Privacy Trim Kit
BFGWTKCHA84037	Wall Tile Kit-Half Mod Mid Panel Anodized 84W 37H	BY-FGRTRIMKIT	Rail-Mounted Privacy Trim Kit
BFGWTKCHA84061	Wall Tile Kit-Half Mod Mid Panel Anodized 84W 61H	BY-FGRTRIMKIT	Rail-Mounted Privacy Trim Kit
BFGWTKCHA96037	Wall Tile Kit-Half Mod Mid Panel Anodized 96W 37H	BY-FGRTRIMKIT	Rail-Mounted Privacy Trim Kit
BFGWTKCHA96061	Wall Tile Kit-Half Mod Mid Panel Anodized 96W 61H	BY-FGRTRIMKIT	Rail-Mounted Privacy Trim Kit
BFGWTKCHMA80061	Wall Tile Kit-Half Mod Mid Pnl MKBD Anod 80W 61H	BY-FGRTRIMKIT	Rail-Mounted Privacy Trim Kit
BFGWTKCHMA84061	Wall Tile Kit-Half Mod Mid Pnl MKBD Anod 84W 61H	BY-FGRTRIMKIT	Rail-Mounted Privacy Trim Kit
BFGWTKCHMA96061	Wall Tile Kit-Half Mod Mid Pnl MKBD Anod 96W 61H	BY-FGRTRIMKIT	Rail-Mounted Privacy Trim Kit
BFGWTKCHMP80061	Wall Tile Kit-Half Mod Mid Pnl MKBD Ptd 80W 61H	BY-FGRTRIMKIT	Rail-Mounted Privacy Trim Kit
BFGWTKCHMP84061	Wall Tile Kit-Half Mod Mid Pnl MKBD Ptd 84W 61H	BY-FGRTRIMKIT	Rail-Mounted Privacy Trim Kit
BFGWTKCHMP96061	Wall Tile Kit-Half Mod Mid Pnl MKBD Ptd 96W 61H	BY-FGRTRIMKIT	Rail-Mounted Privacy Trim Kit
BFGWTKCHP80037	Wall Tile Kit-Half Mod Mid Panel Painted 80W 37H	BY-FGRTRIMKIT	Rail-Mounted Privacy Trim Kit
BFGWTKCHP80061	Wall Tile Kit-Half Mod Mid Panel Painted 80W 61H	BY-FGRTRIMKIT	Rail-Mounted Privacy Trim Kit
BFGWTKCHP84037	Wall Tile Kit-Half Mod Mid Panel Painted 84W 37H	BY-FGRTRIMKIT	Rail-Mounted Privacy Trim Kit

MODEL REFERENCE GUIDE

OLD BASE MODEL	OLD DESCRIPTION	NEW BASE MODEL	NEW DESCRIPTION
BFGWTKCHP84061	Wall Tile Kit-Half Mod Mid Panel Painted 84W 61H	BY-FGRTRIMKIT	Rail-Mounted Privacy Trim Kit
BFGWTKCHP96037	Wall Tile Kit-Half Mod Mid Panel Painted 96W 37H	BY-FGRTRIMKIT	Rail-Mounted Privacy Trim Kit
BFGWTKCHP96061	Wall Tile Kit-Half Mod Mid Panel Painted 96W 61H	BY-FGRTRIMKIT	Rail-Mounted Privacy Trim Kit
BFGWTKCSA80024	Wall Tile Kit-Sgl Flt Mid Panel Anodized 80W 24H	BY-FGRTRIMKIT	Rail-Mounted Privacy Trim Kit
BFGWTKCSA84024	Wall Tile Kit-Sgl Flt Mid Panel Anodized 84W 24H	BY-FGRTRIMKIT	Rail-Mounted Privacy Trim Kit
BFGWTKCSA96024	Wall Tile Kit-Sgl Flt Mid Panel Anodized 96W 24H	BY-FGRTRIMKIT	Rail-Mounted Privacy Trim Kit
BFGWTKCSMA80048	Wall Tile Kit-Sgl Flt Mid Pnl MKB Anod 80W 48H	BY-FGRTRIMKIT	Rail-Mounted Privacy Trim Kit
BFGWTKCSMA84048	Wall Tile Kit-Sgl Flt Mid Pnl MKB Anod 84W 48H	BY-FGRTRIMKIT	Rail-Mounted Privacy Trim Kit
BFGWTKCSMA96048	Wall Tile Kit-Sgl Flt Mid Pnl MKB Anod 96W 48H	BY-FGRTRIMKIT	Rail-Mounted Privacy Trim Kit
BFGWTKCSMP80048	Wall Tile Kit-Sgl Flt Mid Pnl MKB Paint 80W 48H	BY-FGRTRIMKIT	Rail-Mounted Privacy Trim Kit
BFGWTKCSMP84048	Wall Tile Kit-Sgl Flt Mid Pnl MKB Paint 84W 48H	BY-FGRTRIMKIT	Rail-Mounted Privacy Trim Kit
BFGWTKCSMP96048	Wall Tile Kit-Sgl Flt Mid Pnl MKB Paint 96W 48H	BY-FGRTRIMKIT	Rail-Mounted Privacy Trim Kit
BFGWTKCSP80024	Wall Tile Kit-Sgl Flt Mid Panel Painted 80W 24H	BY-FGRTRIMKIT	Rail-Mounted Privacy Trim Kit
BFGWTKCSP84024	Wall Tile Kit-Sgl Flt Mid Panel Painted 84W 24H	BY-FGRTRIMKIT	Rail-Mounted Privacy Trim Kit
BFGWTKCSP96024	Wall Tile Kit-Sgl Flt Mid Panel Painted 96W 24H	BY-FGRTRIMKIT	Rail-Mounted Privacy Trim Kit
BFGWTKSCFA80048	Wall Tile Kit-Full Mod Mid Panel Anodized 80W 48H	BY-FGRTRIMKIT	Rail-Mounted Privacy Trim Kit
BFGWTKSCFA80072	Wall Tile Kit-Full Mod Mid Panel Anodized 80W 72H	BY-FGRTRIMKIT	Rail-Mounted Privacy Trim Kit
BFGWTKSCFA84048	Wall Tile Kit-Full Mod Mid Panel Anodized 84W 48H	BY-FGRTRIMKIT	Rail-Mounted Privacy Trim Kit
BFGWTKSCFA84072	Wall Tile Kit-Full Mod Mid Panel Anodized 84W 72H	BY-FGRTRIMKIT	Rail-Mounted Privacy Trim Kit
BFGWTKSCFA96048	Wall Tile Kit-Full Mod Mid Panel Anodized 96W 48H	BY-FGRTRIMKIT	Rail-Mounted Privacy Trim Kit
BFGWTKSCFA96072	Wall Tile Kit-Full Mod Mid Panel Anodized 96W 72H	BY-FGRTRIMKIT	Rail-Mounted Privacy Trim Kit
BFGWTKSCFMA80072	Wall Tile Kit-Full Mod Mid Pnl MKB Anod 80W 72H	BY-FGRTRIMKIT	Rail-Mounted Privacy Trim Kit
BFGWTKSCFMA84072	Wall Tile Kit-Full Mod Mid Pnl MKB Anod 84W 72H	BY-FGRTRIMKIT	Rail-Mounted Privacy Trim Kit
BFGWTKSCFMA96072	Wall Tile Kit-Full Mod Mid Pnl MKB Anod 96W 72H	BY-FGRTRIMKIT	Rail-Mounted Privacy Trim Kit
BFGWTKSCFMP80072	Wall Tile Kit-Full Mod Mid Pnl MKB Paint 80W 72H	BY-FGRTRIMKIT	Rail-Mounted Privacy Trim Kit

OVERVIEW  
 TABLE OF CONTENTS  
 NEW, REVISED, AND DISCONTINUED  
 MATERIALS AND FINISHES  
 WARRANTY  
 POLICIES AND PRODUCT CARE  
 DEFINITIONS AND ACRONYMS  
 SUSTAINABILITY  
 STATEMENT OF LINE  
 SITE REVIEW

MODEL REFERENCE GUIDE

OLD BASE MODEL	OLD DESCRIPTION	NEW BASE MODEL	NEW DESCRIPTION
BFGWTKSCFMP84072	Wall Tile Kit-Full Mod Mid Pnl MKB Paint 84W 72H	BY-FGRTRIMKIT	Rail-Mounted Privacy Trim Kit
BFGWTKSCFMP96072	Wall Tile Kit-Full Mod Mid Pnl MKB Paint 96W 72H	BY-FGRTRIMKIT	Rail-Mounted Privacy Trim Kit
BFGWTKSCFP80048	Wall Tile Kit-Full Mod Mid Panel Painted 80W 48H	BY-FGRTRIMKIT	Rail-Mounted Privacy Trim Kit
BFGWTKSCFP80072	Wall Tile Kit-Full Mod Mid Panel Painted 80W 72H	BY-FGRTRIMKIT	Rail-Mounted Privacy Trim Kit
BFGWTKSCFP84048	Wall Tile Kit-Full Mod Mid Panel Painted 84W 48H	BY-FGRTRIMKIT	Rail-Mounted Privacy Trim Kit
BFGWTKSCFP84072	Wall Tile Kit-Full Mod Mid Panel Painted 84W 72H	BY-FGRTRIMKIT	Rail-Mounted Privacy Trim Kit
BFGWTKSCFP96048	Wall Tile Kit-Full Mod Mid Panel Painted 96W 48H	BY-FGRTRIMKIT	Rail-Mounted Privacy Trim Kit
BFGWTKSCFP96072	Wall Tile Kit-Full Mod Mid Panel Painted 96W 72H	BY-FGRTRIMKIT	Rail-Mounted Privacy Trim Kit
BFGWTKSTFA80048	Wall Tile Kit-Full Mod 2 Panel Anodized 80W 48H	BY-FGRTRIMKIT	Rail-Mounted Privacy Trim Kit
BFGWTKSTFA80072	Wall Tile Kit-Full Mod 2 Panel Anodized 80W 72H	BY-FGRTRIMKIT	Rail-Mounted Privacy Trim Kit
BFGWTKSTFA84048	Wall Tile Kit-Full Mod 2 Panel Anodized 84W 48H	BY-FGRTRIMKIT	Rail-Mounted Privacy Trim Kit
BFGWTKSTFA84072	Wall Tile Kit-Full Mod 2 Panel Anodized 84W 72H	BY-FGRTRIMKIT	Rail-Mounted Privacy Trim Kit
BFGWTKSTFA96048	Wall Tile Kit-Full Mod 2 Panel Anodized 96W 48H	BY-FGRTRIMKIT	Rail-Mounted Privacy Trim Kit
BFGWTKSTFA96072	Wall Tile Kit-Full Mod 2 Panel Anodized 96W 72H	BY-FGRTRIMKIT	Rail-Mounted Privacy Trim Kit
BFGWTKSTFMA80072	Wall Tile Kit-Full Mod 2 Pnl MKB Anod 80W 72H	BY-FGRTRIMKIT	Rail-Mounted Privacy Trim Kit
BFGWTKSTFMA84072	Wall Tile Kit-Full Mod 2 Pnl MKB Anod 84W 72H	BY-FGRTRIMKIT	Rail-Mounted Privacy Trim Kit
BFGWTKSTFMA96072	Wall Tile Kit-Full Mod 2 Pnl MKB Anod 96W 72H	BY-FGRTRIMKIT	Rail-Mounted Privacy Trim Kit
BFGWTKSTFMP80072	Wall Tile Kit-Full Mod 2 Pnl MKB Paint 80W 72H	BY-FGRTRIMKIT	Rail-Mounted Privacy Trim Kit
BFGWTKSTFMP84072	Wall Tile Kit-Full Mod 2 Pnl MKB Paint 84W 72H	BY-FGRTRIMKIT	Rail-Mounted Privacy Trim Kit
BFGWTKSTFMP96072	Wall Tile Kit-Full Mod 2 Pnl MKB Paint 96W 72H	BY-FGRTRIMKIT	Rail-Mounted Privacy Trim Kit
BFGWTKSTFP80048	Wall Tile Kit-Full Mod 2 Panel Painted 80W 48H	BY-FGRTRIMKIT	Rail-Mounted Privacy Trim Kit
BFGWTKSTFP80072	Wall Tile Kit-Full Mod 2 Panel Painted 80W 72H	BY-FGRTRIMKIT	Rail-Mounted Privacy Trim Kit
BFGWTKSTFP84048	Wall Tile Kit-Full Mod 2 Panel Painted 84W 48H	BY-FGRTRIMKIT	Rail-Mounted Privacy Trim Kit
BFGWTKSTFP84072	Wall Tile Kit-Full Mod 2 Panel Painted 84W 72H	BY-FGRTRIMKIT	Rail-Mounted Privacy Trim Kit
BFGWTKSTFP96048	Wall Tile Kit-Full Mod 2 Panel Painted 96W 48H	BY-FGRTRIMKIT	Rail-Mounted Privacy Trim Kit

MODEL REFERENCE GUIDE

OLD BASE MODEL	OLD DESCRIPTION	NEW BASE MODEL	NEW DESCRIPTION
BFGWTKSTFP96072	Wall Tile Kit-Full Mod 2 Panel Painted 96W 72H	BY-FGRTRIMKIT	Rail-Mounted Privacy Trim Kit
BFGWTKTDA80048	Wall Tile Kit-Dbl Flt 2 Panel Anodized 80W 48H	BY-FGRTRIMKIT	Rail-Mounted Privacy Trim Kit
BFGWTKTDA84048	Wall Tile Kit-Dbl Flt 2 Panel Anodized 84W 48H	BY-FGRTRIMKIT	Rail-Mounted Privacy Trim Kit
BFGWTKTDA96048	Wall Tile Kit-Dbl Flt 2 Panel Anodized 96W 48H	BY-FGRTRIMKIT	Rail-Mounted Privacy Trim Kit
BFGWTKTDP80048	Wall Tile Kit-Dbl Flt 2 Panel Painted 80W 48H	BY-FGRTRIMKIT	Rail-Mounted Privacy Trim Kit
BFGWTKTDP84048	Wall Tile Kit-Dbl Flt 2 Panel Painted 84W 48H	BY-FGRTRIMKIT	Rail-Mounted Privacy Trim Kit
BFGWTKTDP96048	Wall Tile Kit-Dbl Flt 2 Panel Painted 96W 48H	BY-FGRTRIMKIT	Rail-Mounted Privacy Trim Kit
BFGWTKTHA80037	Wall Tile Kit-Half Mod 2 Panel Anodized 80W 37H	BY-FGRTRIMKIT	Rail-Mounted Privacy Trim Kit
BFGWTKTHA80061	Wall Tile Kit-Half Mod 2 Panel Anodized 80W 61H	BY-FGRTRIMKIT	Rail-Mounted Privacy Trim Kit
BFGWTKTHA84037	Wall Tile Kit-Half Mod 2 Panel Anodized 84W 37H	BY-FGRTRIMKIT	Rail-Mounted Privacy Trim Kit
BFGWTKTHA84061	Wall Tile Kit-Half Mod 2 Panel Anodized 84W 61H	BY-FGRTRIMKIT	Rail-Mounted Privacy Trim Kit
BFGWTKTHA96037	Wall Tile Kit-Half Mod 2 Panel Anodized 96W 37H	BY-FGRTRIMKIT	Rail-Mounted Privacy Trim Kit
BFGWTKTHA96061	Wall Tile Kit-Half Mod 2 Panel Anodized 96W 61H	BY-FGRTRIMKIT	Rail-Mounted Privacy Trim Kit
BFGWTKTHMA80061	Wall Tile Kit-Half Mod Mid Pnl MKB Anod 80W 61H	BY-FGRTRIMKIT	Rail-Mounted Privacy Trim Kit
BFGWTKTHMA84061	Wall Tile Kit-Half Mod Mid Pnl MKB Anod 84W 61H	BY-FGRTRIMKIT	Rail-Mounted Privacy Trim Kit
BFGWTKTHMA96061	Wall Tile Kit-Half Mod Mid Pnl MKB Anod 96W 61H	BY-FGRTRIMKIT	Rail-Mounted Privacy Trim Kit
BFGWTKTHMP80061	Wall Tile Kit-Half Mod Mid Pnl MKB Ptd 80W 61H	BY-FGRTRIMKIT	Rail-Mounted Privacy Trim Kit
BFGWTKTHMP84061	Wall Tile Kit-Half Mod Mid Pnl MKB Ptd 84W 61H	BY-FGRTRIMKIT	Rail-Mounted Privacy Trim Kit
BFGWTKTHMP96061	Wall Tile Kit-Half Mod Mid Pnl MKB Anod 96W 61H	BY-FGRTRIMKIT	Rail-Mounted Privacy Trim Kit
BFGWTKTHP80037	Wall Tile Kit-Half Mod 2 Panel Painted 80W 37H	BY-FGRTRIMKIT	Rail-Mounted Privacy Trim Kit
BFGWTKTHP80061	Wall Tile Kit-Half Mod 2 Panel Painted 80W 61H	BY-FGRTRIMKIT	Rail-Mounted Privacy Trim Kit
BFGWTKTHP84037	Wall Tile Kit-Half Mod 2 Panel Painted 84W 37H	BY-FGRTRIMKIT	Rail-Mounted Privacy Trim Kit
BFGWTKTHP84061	Wall Tile Kit-Half Mod 2 Panel Painted 84W 61H	BY-FGRTRIMKIT	Rail-Mounted Privacy Trim Kit
BFGWTKTHP96037	Wall Tile Kit-Half Mod 2 Panel Painted 96W 37H	BY-FGRTRIMKIT	Rail-Mounted Privacy Trim Kit
BFGWTKTHP96061	Wall Tile Kit-Half Mod 2 Panel Painted 96W 61H	BY-FGRTRIMKIT	Rail-Mounted Privacy Trim Kit

OVERVIEW  
 TABLE OF CONTENTS  
 NEW, REVISED, AND DISCONTINUED  
 MATERIALS AND FINISHES  
 WARRANTY  
 POLICIES AND PRODUCT CARE  
 DEFINITIONS AND ACRONYMS  
 SUSTAINABILITY  
 STATEMENT OF LINE  
 SITE REVIEW



MODEL REFERENCE GUIDE

OLD BASE MODEL	OLD DESCRIPTION	NEW BASE MODEL	NEW DESCRIPTION
BFGWTKTSA80024	Wall Tile Kit-Sgl Flt 2 Panel Anodized 80W 24H	BY-FGRTRIMKIT	Rail-Mounted Privacy Trim Kit
BFGWTKTSA84024	Wall Tile Kit-Sgl Flt 2 Panel Anodized 84W 24H	BY-FGRTRIMKIT	Rail-Mounted Privacy Trim Kit
BFGWTKTSA96024	Wall Tile Kit-Sgl Flt 2 Panel Anodized 96W 24H	BY-FGRTRIMKIT	Rail-Mounted Privacy Trim Kit
BFGWTKTSA80048	Wall Tile Kit-Sgl Flt 2 Pnl MKB Anod 80W 48H	BY-FGRTRIMKIT	Rail-Mounted Privacy Trim Kit
BFGWTKTSA84048	Wall Tile Kit-Sgl Flt 2 Pnl MKB Anod 84W 48H	BY-FGRTRIMKIT	Rail-Mounted Privacy Trim Kit
BFGWTKTSA96048	Wall Tile Kit-Sgl Flt 2 Pnl MKB Anod 96W 48H	BY-FGRTRIMKIT	Rail-Mounted Privacy Trim Kit
BFGWTKTSMP80048	Wall Tile Kit-Sgl Flt 2 Pnl MKB Paint 80W 48H	BY-FGRTRIMKIT	Rail-Mounted Privacy Trim Kit
BFGWTKTSMP84048	Wall Tile Kit-Sgl Flt 2 Pnl MKB Paint 84W 48H	BY-FGRTRIMKIT	Rail-Mounted Privacy Trim Kit
BFGWTKTSMP96048	Wall Tile Kit-Sgl Flt 2 Pnl MKB Paint 96W 48H	BY-FGRTRIMKIT	Rail-Mounted Privacy Trim Kit
BFGWTKTSP80024	Wall Tile Kit-Sgl Flt 2 Panel Painted 80W 24H	BY-FGRTRIMKIT	Rail-Mounted Privacy Trim Kit
BFGWTKTSP84024	Wall Tile Kit-Sgl Flt 2 Panel Painted 84W 24H	BY-FGRTRIMKIT	Rail-Mounted Privacy Trim Kit
BFGWTKTSP96024	Wall Tile Kit-Sgl Flt 2 Panel Painted 96W 24H	BY-FGRTRIMKIT	Rail-Mounted Privacy Trim Kit
BFS-8710192	Electrical Pass-Thru w/o Powerblk 192"	BY-FS8PASSTHRU	Pass-Thru without Power Block, 192"
BFS-8713102	Electrical Jumper Cable 102"	BY-FS8JUMPER	Jumper, 8-Wire
BFS-8713105	Electrical Jumper Cable 105"	BY-FS8JUMPER	Jumper, 8-Wire
BFS-8713108	Electrical Jumper Cable 108"	BY-FS8JUMPER	Jumper, 8-Wire
BFS-8713111	Electrical Jumper Cable 111"	BY-FS8JUMPER	Jumper, 8-Wire
BFS-8713114	Electrical Jumper Cable 114"	BY-FS8JUMPER	Jumper, 8-Wire
BFS-8713117	Electrical Jumper Cable 117"	BY-FS8JUMPER	Jumper, 8-Wire
BFS-8713120	Electrical Jumper Cable 120"	BY-FS8JUMPER	Jumper, 8-Wire
BFS-871324	Electrical Jumper Cable 24"	BY-FS8JUMPER	Jumper, 8-Wire
BFS-871327	Electrical Jumper Cable 27"	BY-FS8JUMPER	Jumper, 8-Wire
BFS-871330	Electrical Jumper Cable 30"	BY-FS8JUMPER	Jumper, 8-Wire
BFS-871333	Electrical Jumper Cable 33"	BY-FS8JUMPER	Jumper, 8-Wire
BFS-871336	Electrical Jumper Cable 36"	BY-FS8JUMPER	Jumper, 8-Wire
BFS-871339	Electrical Jumper Cable 39"	BY-FS8JUMPER	Jumper, 8-Wire
BFS-871342	Electrical Jumper Cable 42"	BY-FS8JUMPER	Jumper, 8-Wire
BFS-871345	Electrical Jumper Cable 45"	BY-FS8JUMPER	Jumper, 8-Wire
BFS-871348	Electrical Jumper Cable 48"	BY-FS8JUMPER	Jumper, 8-Wire
BFS-871351	Electrical Jumper Cable 51"	BY-FS8JUMPER	Jumper, 8-Wire
BFS-871354	Electrical Jumper Cable 54"	BY-FS8JUMPER	Jumper, 8-Wire
BFS-871357	Electrical Jumper Cable 57"	BY-FS8JUMPER	Jumper, 8-Wire
BFS-871360	Electrical Jumper Cable 60"	BY-FS8JUMPER	Jumper, 8-Wire
BFS-871363	Electrical Jumper Cable 63"	BY-FS8JUMPER	Jumper, 8-Wire
BFS-871366	Electrical Jumper Cable 66"	BY-FS8JUMPER	Jumper, 8-Wire

MODEL REFERENCE GUIDE

OLD BASE MODEL	OLD DESCRIPTION	NEW BASE MODEL	NEW DESCRIPTION
BFS-871369	Electrical Jumper Cable 69"	BY-FS8JUMPER	Jumper, 8-Wire
BFS-871372	Electrical Jumper Cable 72"	BY-FS8JUMPER	Jumper, 8-Wire
BFS-871375	Electrical Jumper Cable 75"	BY-FS8JUMPER	Jumper, 8-Wire
BFS-871378	Electrical Jumper Cable 78"	BY-FS8JUMPER	Jumper, 8-Wire
BFS-871381	Electrical Jumper Cable 81"	BY-FS8JUMPER	Jumper, 8-Wire
BFS-871384	Electrical Jumper Cable 84"	BY-FS8JUMPER	Jumper, 8-Wire
BFS-871387	Electrical Jumper Cable 87"	BY-FS8JUMPER	Jumper, 8-Wire
BFS-871390	Electrical Jumper Cable 90"	BY-FS8JUMPER	Jumper, 8-Wire
BFS-871393	Electrical Jumper Cable 93"	BY-FS8JUMPER	Jumper, 8-Wire
BFS-871396	Electrical Jumper Cable 96"	BY-FS8JUMPER	Jumper, 8-Wire
BFS-871399	Electrical Jumper Cable 99"	BY-FS8JUMPER	Jumper, 8-Wire
BFS-871912	Ceiling Electrical Infeed 12' Flex Cable	BY-FS8CINFEED	Ceiling In-Feed, 8-Wire
BFS-871918	Ceiling Electrical Infeed 18' Flex Cable	BY-FS8CINFEED	Ceiling In-Feed, 8-Wire
BFS-877072	Base Electrical Infeed 6' Sealtight	BY-FS8BINFEED	Base In-Feed, 8-Wire, 72"
BFS-877501	Duplex Receptacle - Circuit 1	BY-FS8DUPLEX	Duplex, 8-Wire
BFS-877502	Duplex Receptacle - Circuit 2	BY-FS8DUPLEX	Duplex, 8-Wire
BFS-877503	Duplex Receptacle - Circuit 3	BY-FS8DUPLEX	Duplex, 8-Wire
BFS-877504	Duplex Receptacle - Circuit 4 (iso/dedicated)	BY-FS8DUPLEX	Duplex, 8-Wire
BFS-877506	Duplex Receptacle - Circuit 3 (2+2)	BY-FS8DUPLEX	Duplex, 8-Wire
BFS-877509	Duplex Receptacle - Switched Circuit 4 (2+2)	BY-FS8DUPLEX	Duplex, 8-Wire
BFS-877517	Duplex Receptacle - Switched Circuit 3 (2+2)	BY-FS8DUPLEX	Duplex, 8-Wire
BFS-CCEBB	Chicago Code Base Power Electrical Box	BY-FSCHICAGOBOX	Chicago Code Base Power Electrical Box
BFS-PWBLKD	Bynd Powerblock - Double	BY-FS8PBLOCK	Power Block, 8-Wire
BFS-PWBLKS	Bynd Powerblock - Single	BY-FS8PBLOCK	Power Block, 8-Wire
BFSACH	Bynd Frmd/Solid Accessory Hook	BY-FSHOOK	Accessory Hook
BFSBT	Beyond Framed-Solid Base Trim	BY-FSBT	Base Trim
BFSBTEC	Base Trim Electrical Ported for Chicago Elec Box	BY-FSBTE	Electrical Base Trim
BFSBTED	Beyond Frmd-Solid Base Trim-Ported Data	BY-FSBTE	Electrical Base Trim
BFSBTEN	Bynd Base Trim - Electrical Non-Ported	BY-FSBTE	Electrical Base Trim
BFSBTEP	Bynd Base Trim - Electrical Ported	BY-FSBTE	Electrical Base Trim
BFSCMB	Ceiling Mounting Brackets (Set including 2 brackets)	BY-FSSUSPBRKT	Suspended Ceiling Mounting Brackets
BFSDFSLDS742	Door Frame-Sliding Dr Sgl 7' CS Int Rail 42W	BY-SDFFRAMEGLTR	Sliding Door Frame with Transom
BFSDFSLDS748	Door Frame-Sliding Dr Sgl 7' CS Int Rail 48W	BY-SDFFRAMEGLTR	Sliding Door Frame with Transom
BFSFA	Beyond Framed Floor Anchor	BY-FSANCHOR	Framed/Solid Seismic Anchor
BFSFC	Bynd Frmd/Solid Freestanding Cornice	BY-FSCORNICE	Freestanding Cornice
BFSFHB	Bynd Frmd/Slid Furniture Hanging Brackets	BY-FURNBRACKET	Furniture Adapter Bracket
BFSFMA	Beyond Off-Modular Adapter	BY-FSOFFMOD	Off-Modular Adapter, Stride-to-Beyond (for Int Rail)

OVERVIEW  
 TABLE OF CONTENTS  
 NEW, REVISED, AND DISCONTINUED  
 MATERIALS AND FINISHES  
 WARRANTY  
 POLICIES AND PRODUCT CARE  
 DEFINITIONS AND ACRONYMS  
 SUSTAINABILITY  
 STATEMENT OF LINE  
 SITE REVIEW

MODEL REFERENCE GUIDE

OLD BASE MODEL	OLD DESCRIPTION	NEW BASE MODEL	NEW DESCRIPTION
BFSRCH	Bynd Frmd/Solid Integrated Rail Coat Hook	BY-FSCOATHOOK	Coat Hook (for Integrated Rail)
BFSSCTN	Bynd Suspended Ceiling Trim-Inside Corner	BY-FSCFLUSHTRIM	Flush Mounted Suspended Ceiling Trim
BFSSCTS	Bynd Suspended Ceiling Trim-Straight	BY-FSCFLUSHTRIM	Flush Mounted Suspended Ceiling Trim
BFSSCTU	Bynd Suspended Ceiling Trim-Outside Corner	BY-FSCFLUSHTRIM	Flush Mounted Suspended Ceiling Trim
BFSVPFE	Beyond Frmd/Solid Post to the Floor: Lightswitch	BY-EPOST	In-line Electrical Ported Post
BFSVPFF	Beyond Frmd/Solid Post to the Floor: Finished End	BY-FSEND	Framed/Solid Finished End
BFSVPFFS	Beyond Frmd/Solid Post to the Flr End w/Stride	BY-FSEND	Framed/Solid Finished End
BFSVPFL	Beyond Frmd/Solid Post to the Floor: 2-way	BY-POST	Post
BFSVPFLAL	Bynd Frmd/Solid Pst to Flr-2-Way w/Access Trim LH	BY-APOST	Post with Access Trim
BFSVPFLAR	Bynd Frmd/Solid Pst to Flr-2-Way w/Access Trim RH	BY-APOST	Post with Access Trim
BFSVPFS	Beyond Frmd/Solid Post to the Floor: Straight	BY-POST	Post
BFSVPFSA	Bynd Frmd/Solid Post to Flr-Straight w/Access Trim	BY-APOST	Post with Access Trim
BFSVPFT	Beyond Frmd/Solid Post to the Floor: 3-way	BY-POST	Post
BFSVPFTA	Beyond Frmd/Solid Post to the Floor 3-way w/Access	BY-APOST	Post with Access Trim
BFSVPFX	Beyond Framed Post to the Floor: 4-way	BY-POST	Post
BFSVPFY	Beyond Framed Post to the Floor: 135 Degree	BY-POST	Post
BFSVPFZ	Beyond Zipper-based Connector	BY-ZIPPERCONN	Zipper-Based Connector
BFSVPSF	Beyond Framed Stacking Post Finished End	BY-FSEND	Framed/Solid Finished End
BFSVPSL	Beyond Framed Stacking Post 2-way	BY-POST	Post
BFSVPSLAL	Beyond Framed Stacking Post 2-way w/access LH	BY-APOST	Post with Access Trim
BFSVPSLAR	Beyond Framed Stacking Post 2-way w/access RH	BY-APOST	Post with Access Trim
BFSVPSS	Beyond Framed Stacking Post Straight	BY-POST	Post
BFSVPSSA	Beyond Framed Stacking Post Straight w/Access trim	BY-APOST	Post with Access Trim
BFSVPST	Beyond Framed Stacking Post 3-way	BY-POST	Post
BFSVPSTA	Beyond Framed Stacking Post 3-way w/Access	BY-APOST	Post with Access Trim
BFSVPSX	Beyond Framed Stacking Post 4-way	BY-POST	Post
BFSVPSY	Beyond Framed Stacking Post 135 Degree	BY-POST	Post
BFSVZA	Beyond Framed/Solid Vert Zipper Adj Angle	BY-AZIPPER	Adjustable Angle Zipper
BFSVZR	Beyond Framed Zipper - Recessed	BY-ZIPPER	Zipper
BFSVZRB	Beyond Framed-Solid Zipper - Bulk Pack	BY-ZIPPERBULK	Zipper
BFSWCFD	Beyond Framed Wall Channel to the Flr: Adj Door	BY-DWCHANNEL	Wall Channel, Door Adjacent
BFSWCFL	Beyond Framed Wall Channel to the Floor: Large	BY-FSLWCHANNEL	Wall Channel, Large
BFSWCFS	Beyond Framed Wall Channel to the Floor: Small	BY-FSSWCHANNEL	Wall Channel, Small
BFSWCSD	Beyond Framed Stacking Wall Channel: Adjacent Door	BY-DWCHANNEL	Wall Channel, Door Adjacent
BFSWCSL	Beyond Framed Stacking Wall Channel: Large	BY-FSLWCHANNEL	Wall Channel, Large

MODEL REFERENCE GUIDE

OLD BASE MODEL	OLD DESCRIPTION	NEW BASE MODEL	NEW DESCRIPTION
BFSWCSS	Beyond Framed Stacking Wall Channel: Small	BY-FSSWCHANNEL	Wall Channel, Small
BFSWMB	Beyond Frmd/Solid Wire Manager	BY-FSWMANAGER	Wire Manager
BFSWSHVR	Solid WindowSill Cuttable PanelTrim(Framed/Solid)	BY-FSSILLTRIM	Solid Window Sill U-Channel
BRGCMN7	Framed Monolithic Centered Narrow 7	BY-FRMDPANEL	Framed Glass Panel
BRGCMN8	Framed Monolithic Centered Narrow 8	BY-FRMDPANEL	Framed Glass Panel
BRGCMN9	Framed Monolithic Centered Narrow 9	BY-FRMDPANEL	Framed Glass Panel
BRGCMU7	Framed Monolithic Centered Uniform 7	BY-FRMDPANEL	Framed Glass Panel
BRGCMU8	Framed Monolithic Centered Uniform 8	BY-FRMDPANEL	Framed Glass Panel
BRGCMU9	Framed Monolithic Centered Uniform 9	BY-FRMDPANEL	Framed Glass Panel
BRGCSN8	Framed Segmented Centered Narrow 8	BY-FRMDPANEL	Framed Glass Panel
BRGCSN9	Framed Segmented Centered Narrow 9	BY-FRMDPANEL	Framed Glass Panel
BRGCSU8	Framed Segmented Centered Uniform 8	BY-FRMDPANEL	Framed Glass Panel
BRGCSU9	Framed Segmented Centered Uniform 9	BY-FRMDPANEL	Framed Glass Panel
BRGDWFL	Beyond Frmd Drywall End Cap to the Floor L	BY-ENDCAP	Drywall End Cap
BRGDWFT	Beyond Frmd Drywall End Cap to the Floor T	BY-ENDCAP	Drywall End Cap
BRGDWSL	Beyond Drywall End Cap Beyond Framed Stacking L	BY-ENDCAP	Drywall End Cap
BRGDWST	Beyond Drywall End Cap Beyond Framed Stacking T	BY-ENDCAP	Drywall End Cap
BRGMHSDGS742	Bynd42"W Mt Hrdwre-Door Trk BRG Glass SD Sgl 7 Ht	BY-SDTRACK	Sliding Door Track
BRGMHSDGS748	Bynd48"W Mt Hrdwre-Door Trk BRG Glass SD Sgl 7 Ht	BY-SDTRACK	Sliding Door Track
BRGMHSDWS48	Bynd 48"Mt Hardware-Door Track BRG WD/AL SD Sgl	BY-SDTRACK	Sliding Door Track
BRGMHSDWS742	Bynd42" Mt Hrdwre-Door Trk, BRG WD/AL SD Sgl 7 Ht	BY-SDTRACK	Sliding Door Track
BRGMHSDWS748	Bynd48" Mt Hrdwre-Door Trk, BRG WD/AL SD Sgl 7 Ht	BY-SDTRACK	Sliding Door Track
BRGMHSFWS48	Bynd 48"Mt Hardwre-Door Track BRG FS WD/AL SD Sgl	BY-SDTRACK	Sliding Door Track
BSWCGTTNP	Bynd Solid Integrated Glass Top Tiles	BY-STILEGLASS	Integrated Glass Tile/ Stacker, Non-Ported
BSWCGTTNPN	Bynd Solid Integtrtd Glass Top Tile w/Int Mt Rail	BY-STILEGLASS	Integrated Glass Tile/ Stacker, Non-Ported
BSWCGTTNPS	Integrated Glass Stacker	BY-STILEGLASS	Integrated Glass Tile/ Stacker, Non-Ported
BSWFTTBCN	Fabric Tack Tiles Base Non-Ported Clrstory	BY-STILEFAB	Fabric-Wrapped Tile, Non-Ported
BSWFTTBNP	Fabric Tack Tiles Base Tiles Non-Ported	BY-STILEFAB	Fabric-Wrapped Tile, Non-Ported
BSWFTTDNP	Fabric Tack Tiles Middle Non-Ported	BY-STILEFAB	Fabric-Wrapped Tile, Non-Ported
BSWFTTMNP	Fabric Tack Tiles Mono Non-Ported	BY-STILEFAB	Fabric-Wrapped Tile, Non-Ported
BSWFTTTNP	Fabric Tack Tiles Top Tiles Non-Ported	BY-STILEFAB	Fabric-Wrapped Tile, Non-Ported
BSWFWTBCN	Fabric Wide Tack Tiles Base Non-Port Clrstory	BY-STILEFAB	Fabric-Wrapped Tile, Non-Ported
BSWFWTBNP	Fabric Wide Tack Tiles Base Tiles Non-Ported	BY-STILEFAB	Fabric-Wrapped Tile, Non-Ported
BSWFWTDNP	Fabric Wide Tack Tiles Middle Non-Ported	BY-STILEFAB	Fabric-Wrapped Tile, Non-Ported
BSWFWTMNP	Fabric Wide Tack Tiles Mono Non-Ported	BY-STILEFAB	Fabric-Wrapped Tile, Non-Ported

OVERVIEW  
 TABLE OF CONTENTS  
 NEW, REVISED, AND DISCONTINUED  
 MATERIALS AND FINISHES  
 WARRANTY  
 POLICIES AND PRODUCT CARE  
 DEFINITIONS AND ACRONYMS  
 SUSTAINABILITY  
 STATEMENT OF LINE  
 SITE REVIEW

MODEL REFERENCE GUIDE

OLD BASE MODEL	OLD DESCRIPTION	NEW BASE MODEL	NEW DESCRIPTION
BSWFWTTNP	Fabric Wide Tack Tiles Top Tiles Non-Ported	BY-STILEFAB	Fabric-Wrapped Tile, Non-Ported
BSWGTLBCN	Glass Tile Base Non-Ported Clerestory	BY-STILEGLASSMB	Glass Marker Board Tile, Non-Ported
BSWGTLDNP	Bynd Sld Glass Tile Mid Tile Non-Ported	BY-STILEGLASSMB	Glass Marker Board Tile, Non-Ported
BSWGTLWMB	BeyondWall-mounted Glass Markerboards	BY-GLASSWALLMB	Wall-Mounted Glass Marker Board
BSWLMTBCN	ByndSld Laminite Mkrbrd Tile Base Non-Prt Clerestry	BY-STILESTEELMB	Steel Marker Board Tile, Non-Ported
BSWLMTDNP	ByndSld Laminite Mrkbrd Tile Middl Tile Non-Ported	BY-STILESTEELMB	Steel Marker Board Tile, Non-Ported
BSWLWTBCN	Bynd Sld Lam Tiles Base Non-Port Clrstry	BY-STILELAM	Laminate Tile, Non-Ported
BSWLWTBNP	Bynd Sld Lam Tiles Base Non-Port	BY-STILELAM	Laminate Tile, Non-Ported
BSWLWTDNP	Bynd Sld Lam Tiles Middle Non-Port	BY-STILELAM	Laminate Tile, Non-Ported
BSWLWTMNP	Bynd Sld Lam Tiles Mono Non-Port	BY-STILELAM	Laminate Tile, Non-Ported
BSWLWTTNP	Bynd Sld Lam Tiles Top Non-Port	BY-STILELAM	Laminate Tile, Non-Ported
BSWNAV8	Int Glass Ported ADA Frame Vertical 8'	BY-SLDPNLFRAME	Solid Panel Frame
BSWNAV9	Int Glass Ported ADA Frame Vertical 9'	BY-SLDPNLFRAME	Solid Panel Frame
BSWNFV7	Non-Powered Solid Wall Frame Vertical 7'	BY-SLDPNLFRAME	Solid Panel Frame
BSWNFV8	Non-Powered Solid Wall Frame Vertical 8'	BY-SLDPNLFRAME	Solid Panel Frame
BSWNFV9	Non-Powered Solid Wall Frame Vertical 9'	BY-SLDPNLFRAME	Solid Panel Frame
BSWNGV8	Int Glass Solid Wall Frame Vertical 8'	BY-SLDPNLFRAME	Solid Panel Frame
BSWNGV9	Bynd Sld Int Glass Solid Wall Frame Vertical 9'	BY-SLDPNLFRAME	Solid Panel Frame
BSWNSV8	Int Glass Ported Ltswitch Frame Vertical 8'	BY-SLDPNLFRAME	Solid Panel Frame
BSWNSV9	Int Glass Ported Ltswitch Frame Vertical 9'	BY-SLDPNLFRAME	Solid Panel Frame
BSWPAV7	Ported ADA HT Solid Wall Frame Vertical 7'	BY-SLDPNLFRAME	Solid Panel Frame
BSWPAV8	Ported ADA Ht Solid Wall Frame Vertical 8'	BY-SLDPNLFRAME	Solid Panel Frame
BSWPAV9	Ported ADA Ht Solid Wall Frame Vertical 9'	BY-SLDPNLFRAME	Solid Panel Frame
BSWPSTBCN	Painted Steel Tiles Base Non-Ported Clerestory	BY-STILESTEEL	Painted Steel Tile, Non-Ported
BSWPSTBNP	Painted Steel Tiles Base Tiles Non-Ported	BY-STILESTEEL	Painted Steel Tile, Non-Ported
BSWPSTDNP	Painted Steel Tiles Middle Tiles Non-Ported	BY-STILESTEEL	Painted Steel Tile, Non-Ported
BSWPSTMNP	Painted Steel Tiles Mono Non-Ported	BY-STILESTEEL	Painted Steel Tile, Non-Ported
BSWPSTTNP	Painted Steel Tiles Top Tiles Non-Ported	BY-STILESTEEL	Painted Steel Tile, Non-Ported
BSWPSV7	Ported Ltswitch Ht Frame Vertical 7'	BY-SLDPNLFRAME	Solid Panel Frame
BSWPSV8	Ported Ltswitch Ht Frame Vertical 8'	BY-SLDPNLFRAME	Solid Panel Frame
BSWPSV9	Ported Ltswitch Ht Frame Vertical 9'	BY-SLDPNLFRAME	Solid Panel Frame
BSWVNTBCN	Bynd Sld Veneer Nat Tile Base Non-Port Clrstry	BY-STILEVEN	Veneer Tile, Non-Ported

MODEL REFERENCE GUIDE

OLD BASE MODEL	OLD DESCRIPTION	NEW BASE MODEL	NEW DESCRIPTION
BSWVNTBNP	Bynd Sld Veneer Natural Tiles Base Non-Port	BY-STILEVEN	Veneer Tile, Non-Ported
BSWVNTMNP	Bynd Sld Veneer Natural Tiles Mono Non-Port	BY-STILEVEN	Veneer Tile, Non-Ported
BSWVSTBCN	Bynd Sld Ven Stratawd Tile Base Non-Port Clrstry	BY-STILEVEN	Veneer Tile, Non-Ported
BSWVSTBNP	Bynd Sld Veneer Stratawd Tile Base Non-Port	BY-STILEVEN	Veneer Tile, Non-Ported
BSWVSTDNP	Bynd Sld Veneer Stratawd Tiles Middle Non-Port	BY-STILEVEN	Veneer Tile, Non-Ported
BSWVSTMNP	Veneer Stratawd Tiles Mono Non-Port	BY-STILEVEN	Veneer Tile, Non-Ported
BSWVSTTNP	Bynd Sld Veneer Stratawd Tiles Top Non-Port	BY-STILEVEN	Veneer Tile, Non-Ported
BYCCCA120	Ceiling Channel - Anodized 120W	BY-CCHANNEL	Standard Ceiling Channel
BYCCCP120	Ceiling Channel - Painted 120W	BY-CCHANNEL	Standard Ceiling Channel
BYCCCW	Ceiling Channel with Wings 120W	BY-CCHANNELW	Enhanced Ceiling Channel
BYCCL	Ceiling Channel Splice Kit - 2-Way	BY-CSPLICE	Ceiling Channel Splice
BYCCMA010	9/16 T Bar Clip 10 pack	BY-CCLIP	Ceiling Grid Clip
BYCCMA100	9/16 T Bar Clip 100 pack	BY-CCLIP	Ceiling Grid Clip
BYCCMB010	15/16 T Bar Clip 10 pack	BY-CCLIP	Ceiling Grid Clip
BYCCMB100	15/16 T Bar Clip 100 pack	BY-CCLIP	Ceiling Grid Clip
BYCCMC010	T Bolt 10 pack	BY-CCLIP	Ceiling Grid Clip
BYCCMC100	T Bolt 100 pack	BY-CCLIP	Ceiling Grid Clip
BYCCMD010	Tegular Spacer 10 pack	BY-CTEGSPACER	Ceiling Grid Tegular Spacer
BYCCMD100	Tegular Spacer 100 pack	BY-CTEGSPACER	Ceiling Grid Tegular Spacer
BYCCME010	9/16 Finline Clip 10 pack	BY-CCLIP	Ceiling Grid Clip
BYCCME100	9/16 Finline Clip 100 pack	BY-CCLIP	Ceiling Grid Clip
BYCCS	Ceiling Channel Splice Kit - Straight	BY-CSPLICE	Ceiling Channel Splice
BYCCW	Ceiling Channel Splice Kit - 3-Way with Wings	BY-CCHANNELW	Enhanced Ceiling Channel
BYCCY	Ceiling Channel Splice Kit - 135 Degree	BY-CSPLICE	Ceiling Channel Splice
BYDFHDGDF	Bynd Door Frame-Hngd Door GL Double Full Ht	BY-HDFRAME	Hinged Door Frame
BYDFHDLSF	Bynd Frmd Door Frame-Hinged WD LH Sgl Full Ht	BY-HDFRAME	Hinged Door Frame
BYDFHDRSF	Bynd Frmd Door Frame-Hinged WD RH Sgl Full Ht	BY-HDFRAME	Hinged Door Frame
BYDFHFWLDF	Bynd Door Frame-Hngd WD/AL Full LH Dbl Full Ht	BY-HDFRAME	Hinged Door Frame
BYDFHFWRDF	Bynd Door Frame-Hngd WD/AL Full RH Dbl Full Ht	BY-HDFRAME	Hinged Door Frame
BYDFHNGSF	Bynd Frmd Door Frame-Hinged GL NoStrike Sgl Full Ht	BY-HDFRAME	Hinged Door Frame
BYDFPPGSF	Bynd Frmd Door Frame-Pivot GL Partial Sgl Full Ht	BY-PDFRAME	Pivot Door Frame
BYDFPPWSF	Bynd FrmdDr Frame-Pivot WD/AL Partial Sgl Full Ht	BY-PDFRAME	Pivot Door Frame
BYDFPSGSF	Bynd Frmd Door Frame-SFIC Pivot GL Sgl Full Ht	BY-PDFRAME	Pivot Door Frame
BYDFSDDDF	Door Frame-Sliding Door Double Full Ht	BY-SDFRAME	Sliding Door Frame
BYDFSDDSF	Door Frame-Sliding Door, Single Full Ht	BY-SDFRAME	Sliding Door Frame
BYDFSDDSF48	Door Frame-48" Sliding Door, Single Full Ht	BY-SDFRAME	Sliding Door Frame
BYDFSFGLSF	Bynd Door Frame-Sldg Full GL LH Sgl Full Ht	BY-SDFRAME	Sliding Door Frame
BYDFSFGRSF	Bynd Door Frame-Sldg Full GL RH Sgl Full Ht	BY-SDFRAME	Sliding Door Frame
BYDFSFWLSF	Bynd Door Frame-Sldg Full WD/AL LH Sgl Full Ht	BY-SDFRAME	Sliding Door Frame
BYDFSFWLSF48	48"Door Frame-Sliding, Full, WD/AL, LH Single Full Ht	BY-SDFRAME	Sliding Door Frame
BYDFSFWRSF	Bynd Door Frame-Sldg Full WD/AL RH Sgl Full Ht	BY-SDFRAME	Sliding Door Frame
BYDFSFWRSF48	48"Door Frame-Sliding, Full, WD/AL, RH Single Full Ht	BY-SDFRAME	Sliding Door Frame

OVERVIEW  
 TABLE OF CONTENTS  
 NEW, REVISED, AND DISCONTINUED  
 MATERIALS AND FINISHES  
 WARRANTY  
 POLICIES AND PRODUCT CARE  
 DEFINITIONS AND ACRONYMS  
 SUSTAINABILITY  
 STATEMENT OF LINE  
 SITE REVIEW

MODEL REFERENCE GUIDE

OLD BASE MODEL	OLD DESCRIPTION	NEW BASE MODEL	NEW DESCRIPTION
BYDLFGS	Bynd Door lock full strike plate GL Sldg doors	BY-SLIDINGFSLOCK	Full Strike Sliding Door Lock
BYDLFWS	Bynd Door lock full strike WD/AL Sldg doors	BY-SLIDINGFSLOCK	Full Strike Sliding Door Lock
BYDSWD	Beyond Drop Seal for Wood Doors	BY-SLDBTMSEAL	Solid Hinged Door Bottom Seal
BYHDAFLDF	Bynd Hngd Door Alum Full Left DBL Full Ht	BY-ALHDLEAF	Aluminum Framed Glass Hinged Door Leaf
BYHDAFRDF	Bynd Hngd Door Alum Full Right DBL Full Ht	BY-ALHDLEAF	Aluminum Framed Glass Hinged Door Leaf
BYHDASFL	Bynd Door - Hngd Alum Sgl Full Ht LH	BY-ALHDLEAF	Aluminum Framed Glass Hinged Door Leaf
BYHDASFR	Bynd Door - Hngd Alum Sgl Full Ht RH	BY-ALHDLEAF	Aluminum Framed Glass Hinged Door Leaf
BYHDGDF	Bynd Door - Hngd Door GL Dbl Full Ht	BY-FGHDLEAF	Frameless Glass Hinged Door Leaf
BYHDGSF	Bynd Door - Hngd Door GL Sgl Full Ht	BY-FGHDLEAF	Frameless Glass Hinged Door Leaf
BYHDWFLDF	Bynd Hngd Door Wood Full Left DBL Full Ht	BY-SLDHDLEAF	Solid Hinged Door Leaf
BYHDWFRDF	Bynd Hngd Door Wood Full Right DBL Full Ht	BY-SLDHDLEAF	Solid Hinged Door Leaf
BYHDWSFL	Bynd Frmd Hinged Door Sgl Full Ht LH	BY-SLDHDLEAF	Solid Hinged Door Leaf
BYHDWSFR	Bynd Frmd DHinged Door Sgl Full Ht RH	BY-SLDHDLEAF	Solid Hinged Door Leaf
BFGSDMKD	Beyond Sliding Door Mt Kit-Dbl BFG	BY-SDMOUNT	Frameless Glass Panel Sliding Door Mount
BFGSDMK5	Beyond Sliding Door Mtng Kit-Single BFG	BY-SDMOUNT	Frameless Glass Panel Sliding Door Mount
BYMHSDDG	Beyond Mt Hrdw-Door Track Glass SD Dbl	BY-SDTRACK	Sliding Door Track
BYMHSDDGS	Bynd Mt Hardwre-Door Track Glass SD SGL	BY-SDTRACK	Sliding Door Track
BYMHSDDWD	Beyond Mt Hrdw-Door Track WD/AL SD Dbl	BY-SDTRACK	Sliding Door Track
BYMHSDDWS	Bynd Mt Hardwre-Door Track Wd/Al SD SGL	BY-SDTRACK	Sliding Door Track
BYMHSDFGS	Beyond Mt Hardwr-Door Track FS Glass SD-SGL	BY-SDTRACK	Sliding Door Track
BYMHSDFWS	Beyond Mt Hardwr-Door Track FS Wd/Al SD-SGL	BY-SDTRACK	Sliding Door Track
BYPDAPSSF	Bynd Door - Ctr Piv Dr Alum Partial Sgl Full Ht	BY-ALPDLEAF	Aluminum Framed Glass Pivot Door Leaf
BYPDGDF	Bynd Frmd Center Pivot Door Glass Sgl Full Ht	BY-FGPDLEAF	Frameless Glass Pivot Door Leaf
BYPDWPSDF	Bynd Frmd Ctr Pivot Door Wood Partial Sgl Full Ht	BY-SLDPDLEAF	Solid Pivot Door Leaf
BYPSGDF	Bynd Door - Center Pivot SFIC GL Sgl Full Ht	BY-FGPDLEAF	Frameless Glass Pivot Door Leaf
BYSDADF	Bynd Door - Sldg Door Alum Dbl Full Ht	BY-ALSDLEAF	Aluminum Framed Glass Sliding Door Leaf
BYSDAS742	Beyond Door - Sliding Door Alum Sgl 7 Ht 42W	BY-ALSDLEAF	Aluminum Framed Glass Sliding Door Leaf
BYSDAS748	Beyond Door - Sliding Door Alum Sgl 7 Ht 48W	BY-ALSDLEAF	Aluminum Framed Glass Sliding Door Leaf
BYSDASF	Bynd Door - Sldg Door Alum Sgl Full Ht	BY-ALSDLEAF	Aluminum Framed Glass Sliding Door Leaf
BYSDASF48	Bynd Door - 48" Sldg Door Alum Sgl Full Ht	BY-ALSDLEAF	Aluminum Framed Glass Sliding Door Leaf

MODEL REFERENCE GUIDE

OLD BASE MODEL	OLD DESCRIPTION	NEW BASE MODEL	NEW DESCRIPTION
BYSDGDST	Beyond Frmd Sldg Door Glss Door Seal-TrailEdge	BY-FGTRAILINGSEAL	Frameless Glass Door Trailing Edge Seal
BYSDGS742	Beyond Door - Sliding Door Glass Sgl 7 Ht 42W	BY-FGSDLEAF	Frameless Glass Sliding Door Leaf
BYSDGS748	Beyond Door - Sliding Door Glass Sgl 7 Ht 48W	BY-FGSDLEAF	Frameless Glass Sliding Door Leaf
BYSDGTDF	Bynd Door - Sldg Door GL 3/8 Dbl Full Ht	BY-FGSDLEAF	Frameless Glass Sliding Door Leaf
BYSDGTFK	Beyond Footer Kit for Std Sliding Glass Door	BY-FGSDFOOTER	Frameless Glass Sliding Door Bottom Seal
BYSDGTSF	Bynd Frmd Sldg Door Glass 3/8 Sgl Full Ht	BY-FGSDLEAF	Frameless Glass Sliding Door Leaf
BYSDGTSFF	Beyond Door - Sliding Glass w/Footer 3/8 Sgl Full Ht	BY-FGSDLEAF	Frameless Glass Sliding Door Leaf
BYSDWDF	Bynd Door - Sldg Door Wood Dbl Full Ht	BY-SLDSLEAF	Solid Sliding Door Leaf
BYSDWS742	Beyond Door - Sliding Door Wood Sgl 7 Ht 42W	BY-SLDSLEAF	Solid Sliding Door Leaf
BYSDWS748	Beyond Door - Sliding Door Wood Sgl 7 Ht 48W	BY-SLDSLEAF	Solid Sliding Door Leaf
BYSDWSF	Bynd Frmd Sldg Door Wood Sgl Full Ht	BY-SLDSLEAF	Solid Sliding Door Leaf
BYSFASF	Bynd Door - Sliding Full Strike Alum Sgl Full Ht	BY-ALSDLEAF	Aluminum Framed Glass Sliding Door Leaf
BYSFASF48	ByndDoor - 48 Sliding Full Strike Alum Sgl Full Ht	BY-ALSDLEAF	Aluminum Framed Glass Sliding Door Leaf
BYSGTFK	Beyond Footer Kit w/Drop De-emp 7/1/19 Seal Full Strk Sldg G	BY-FGSDFOOTER	Frameless Glass Sliding Door Bottom Seal
BYSGTFKN	Adjustable Footer Kit - Full Strk Sldg Gl Door	BY-FGSDFOOTER	Frameless Glass Sliding Door Bottom Seal
BYSGTFSF	Bynd Door - Sldg Full Strike GL 3/8 Sgl Full Ht	BY-FGSDLEAF	Frameless Glass Sliding Door Leaf
BYSGTFSFF	Beyond Door - Sliding Glass w/Footer 3/8 Sgl Full Ht	BY-FGSDLEAF	Frameless Glass Sliding Door Leaf
BYSFWSF	Bynd Door - Sldg Full Strike Wood Sgl Full Ht	BY-SLDSLEAF	Solid Sliding Door Leaf
APCHHDGS	AP Hinged Door Hardware Kit - Glass Single	BY-HINGEDMOUNT / AS-HINGEDMOUNT	Hinged Door Mounting Hardware (Beyond / Aspect)
APCHHDGS	AP Hinged Door Hardware Kit - Glass Single	BY-HINGEDMOUNT / AS-HINGEDMOUNT	Hinged Door Mounting Hardware (Beyond / Aspect)
APCMC	Magnetic Catch	BY-MAGCATCH / AS-MAGCATCH	Magnetic Catch (Beyond / Aspect)
BFGWMK	Worksurface Mounting Kit-2 Brackets De-emp5/2019	Discontinued 12/31/2020	Discontinued 12/31/2020
BFGWTKTV	Wall Tile Kit-TV Mount Parts	BY-FGRTRIMKIT	Rail-Mounted Privacy Trim Kit
BFSIB	Bynd - Freestanding Boomerang Bracket	BY-BOOMBRACKET	Boomerang Bracket
BFSRTV	Bynd Frmd/Solid Int Rail TV Mtg Bracket	BY-TVBRACKET	TV Mounting Bracket
BYDLGP	Door Lever - GL Pivot Door	BY-LEVER / AS-LEVER	Cylindrical Lockset (Beyond / Aspect)
BYDLSGP	Bynd Door Lever 7-pin SFIC GL Pivot Door	BY-LEVER / AS-LEVER	Cylindrical Lockset (Beyond / Aspect)

OVERVIEW  
 TABLE OF CONTENTS  
 NEW, REVISED, AND DISCONTINUED  
 MATERIALS AND FINISHES  
 WARRANTY  
 POLICIES AND PRODUCT CARE  
 DEFINITIONS AND ACRONYMS  
 SUSTAINABILITY  
 STATEMENT OF LINE  
 SITE REVIEW



MODEL REFERENCE GUIDE

OLD BASE MODEL	OLD DESCRIPTION	NEW BASE MODEL	NEW DESCRIPTION
BYDLW	Door Lever - WD Door	BY-LEVER / AS-LEVER	Cylindrical Lockset (Beyond / Aspect)
BYDSD	Door Stop - Dome Floor Mounted	BY-DOMESTOP / AS-DOMESTOP	Dome Door Stop (Beyond / Aspect)
BYDSF	Door Stop - Floor Mounted	BY-CYLSTOP / AS-CYLSTOP	Cylindrical Door Stop (Beyond / Aspect)
BYLPG12	Door Pull - 12"Ladder Pull GL Door	BY-PULL12 / AS-PULL12	12" Ladder Pull (Beyond / Aspect)
BYLPG60	Door Pull - Ladder Pull GL Door	BY-PULL60 / AS-PULL60	60" Ladder Pull (Beyond / Aspect)
BYLPG72	Door Pull - Ladder Pull GL Door	<b>DISCONTINUED 12/31/2020</b>	
BYLPW12	Door Pull - Ladder Pull WD/AL Door	BY-PULL12 / AS-PULL12	12" Ladder Pull (Beyond / Aspect)
BYLPW60	Door Pull - 60H Ladder Pull WD/AL Door	BY-PULL60 / AS-PULL60	60" Ladder Pull (Beyond / Aspect)
BYLPW72	Door Pull - 72H Ladder Pull WD/AL Door	<b>DISCONTINUED 12/31/2020</b>	
BYMHHGDG	Bynd Mounting Hdwr GL Hngd Dbl	BY-HINGEDMOUNT / AS-HINGEDMOUNT	Hinged Door Mounting Hardware (Beyond / Aspect)
BYMHHGDS	Bynd Mounting Hdwr GL Hngd Sgl	BY-HINGEDMOUNT / AS-HINGEDMOUNT	Hinged Door Mounting Hardware (Beyond / Aspect)
BYMHHDWD	Bynd Mounting Hdwr WD/AL Hngd Dbl	BY-HINGEDMOUNT / AS-HINGEDMOUNT	Hinged Door Mounting Hardware (Beyond / Aspect)
BYMHHDWS	Bynd Frmd Mounting Hardware WD/AL Hinged Sgl	BY-HINGEDMOUNT / AS-HINGEDMOUNT	Hinged Door Mounting Hardware (Beyond / Aspect)
BYMHPDAS	Bynd Mounting Hdwr Pivot Door AL Sgl	BY-PIVOTMOUNT / AS-PIVOTMOUNT	Pivot Door Mounting Hardware (Beyond / Aspect)
BYMHPDWS	Bynd Frmd Mounting Hardware Pivot Door WD Sgl	BY-PIVOTMOUNT / AS-PIVOTMOUNT	Pivot Door Mounting Hardware (Beyond / Aspect)
BYMHPGPS	Bynd Frmd Mounting Hardware GL Pivot Partial Sgl	BY-PIVOTMOUNT / AS-PIVOTMOUNT	Pivot Door Mounting Hardware (Beyond / Aspect)
BYPTO	Bynd Freeway Opening	BY-FREEWAY	Freeway Opening
BYRPG	Door Pull - 20H Ladder Pull GL Door	BY-PULL20 / AS-PULL20	20" Ladder Pull (Beyond / Aspect)
BYRPW	Door Pull - 20H Ladder Pull WD/AL Door	BY-PULL20 / AS-PULL20	20" Ladder Pull (Beyond / Aspect)
BYTVB	TV Mounting Bracket	BY-FGTVBRACKET	TV Mounting Bracket
NFHDHKD	Wood Hinged Door Hardware Kit - Double	BY-HINGEDMOUNT / AS-HINGEDMOUNT	Hinged Door Mounting Hardware (Beyond / Aspect)

MODEL REFERENCE GUIDE

OLD BASE MODEL	OLD DESCRIPTION	NEW BASE MODEL	NEW DESCRIPTION
NFHDHKS	Wood Hinged Door Hardware Kit - Single	BY-HINGEDMOUNT / AS-HINGEDMOUNT	Hinged Door Mounting Hardware (Beyond / Aspect)
NFHDSG	Frameless Glass Door - Hinged Single	BY-FGHDLEAF / AS-FGHDLEAF	Hinged Door Mounting Hardware (Beyond / Aspect)
NFPDHKG	Pivot Door Hardware Kit - Glass	BY-PIVOTMOUNT / AS-PIVOTMOUNT	Pivot Door Mounting Hardware (Beyond / Aspect)
NFPDLG	Frameless Glass Pivot Door Lever	BY-LEVER / AS-LEVER	Cylindrical Lockset (Beyond / Aspect)
BYHDGDFR	Door - Hinged Door Glass Dbl Full Ht	BY-FGHDLEAF	Frameless Glass Hinged Door Leaf
BYHDGSFR	Door - Hinged Door Glass Sgl Full Ht	BY-FGHDLEAF	Frameless Glass Hinged Door Leaf
BYSDADFR	Door - Sliding Door Alum Dbl Full Ht	BY-ALSDLEAF	Aluminum Framed Glass Sliding Door Leaf
BYSDAS742R	Door - Sliding Door Alum Sgl 7 Ht 42W	BY-ALSDLEAF	Aluminum Framed Glass Sliding Door Leaf
BYSDAS748R	Door - Sliding Door Alum Sgl 7 Ht 48W	BY-ALSDLEAF	Aluminum Framed Glass Sliding Door Leaf
BYSDASF48R	Door - 48" Sliding Door Alum Sgl Full Ht	BY-ALSDLEAF	Aluminum Framed Glass Sliding Door Leaf
BYSDASFR	Door - Sliding Door Alum Sgl Full Ht	BY-ALSDLEAF	Aluminum Framed Glass Sliding Door Leaf
BYSDGS742R	Door - Sliding Door Glass Sgl 7 Ht 42W	BY-FGSDLEAF	Frameless Glass Sliding Door Leaf
BYSDGS748R	Door - Sliding Door Glass Sgl 7 Ht 48W	BY-FGSDLEAF	Frameless Glass Sliding Door Leaf
BYSDGTDFR	Door - Sliding Door Glass 3/8 Dbl Full Ht	BY-FGSDLEAF	Frameless Glass Sliding Door Leaf
BYSDGTSFFR	Door - Sliding Glass w/Footer 3/8 Sgl Full Ht	BY-FGSDLEAF	Frameless Glass Sliding Door Leaf
BYSDGTSFR	Door - Sliding Door Glass 3/8 Sgl Full Ht	BY-FGSDLEAF	Frameless Glass Sliding Door Leaf
BYSDWDFR	Door - Sliding Door Wood Dbl Full Ht	BY-SLSDLEAF	Solid Sliding Door Leaf
BYSDWS742R	Beyond Door - Sliding Door Wood Sgl 7 Ht 42W	BY-SLSDLEAF	Solid Sliding Door Leaf
BYSDWS748R	Beyond Door - Sliding Door Wood Sgl 7 Ht 48W	BY-SLSDLEAF	Solid Sliding Door Leaf
BYSDWSFR	Door - Sliding Door Wood Sgl Full Ht	BY-SLSDLEAF	Solid Sliding Door Leaf
BYSFASF48R	Door - 48 Sliding Full Strike Alum Sgl Full Ht	BY-ALSDLEAF	Aluminum Framed Glass Sliding Door Leaf
BYSFASFR	Door - Sliding Full Strike Alum Sgl Full Ht	BY-ALSDLEAF	Aluminum Framed Glass Sliding Door Leaf
BYSGTSFFR	Door - Sldg Full Strk Gls Footer 3/8 Sgl Full Ht	BY-FGSDLEAF	Frameless Glass Sliding Door Leaf
BYSGTSFR	Door - Sliding Full Strike Glass 3/8 Sgl Full Ht	BY-FGSDLEAF	Frameless Glass Sliding Door Leaf
BYFWSFR	Door - Sliding Full Strike Wood Sgl Full Ht	BY-SLSDLEAF	Solid Sliding Door Leaf

MODEL REFERENCE GUIDE

OLD BASE MODEL	OLD DESCRIPTION	NEW BASE MODEL	NEW DESCRIPTION
NFHDSGR	Frameless Glass Door - Hinged, Single	BY-FGHDLEAF / AS-FGHDLEAF	Hinged Door Mounting Hardware (Beyond / Aspect)
BYPSGSFR	Door - Center Pivot SFIC Glass Sgl Full Ht	BY-FGPDLEAF	Frameless Glass Pivot Door Leaf
BYDFPPGSFMC	Door Frame-Pivot GL Partial, Sgl, Full Ht with Magnetic Catch	BY-PDFRAME	Pivot Door Frame
BYPDGSFMCR	Door - Center Pivot Door Glass Sgl Full Ht with Magnetic Catch	BY-PDFRAME	Pivot Door Frame
BFSFMTV	Flush TV Mounting Bracket (Black Only)	BY-TVBRACKET	TV Mounting Bracket
BFSVHMTV	Variable Height TV Mounting Bracket (Black Only)	BY-TVBRACKET	TV Mounting Bracket
BSWPSTMPA	Painted Steel Tiles Monolithic Ported 18" AFF	BY-SPTILESTEEL	Painted Steel Tile, Ported
BSWPSTMPS	Painted Steel Tiles Monolithic Ported 42" AFF	BY-SPTILESTEEL	Painted Steel Tile, Ported
BSWPSTDPS	Painted Steel Middle Tiles Ported 42" AFF	BY-SPTILESTEEL	Painted Steel Tile, Ported
BSWPSTBPA	Painted Steel Base Tiles Ported 18" AFF	BY-SPTILESTEEL	Painted Steel Tile, Ported
BSWFTTMPA	Fabric-Wrapped Tackable Tiles Monolithic Ported 18" AFF	BY-SPTILEFAB	Fabric-Wrapped Tile, Ported
BSWFTTMPS	Fabric-Wrapped Tackable Tiles Monolithic Ported 42" AFF	BY-SPTILEFAB	Fabric-Wrapped Tile, Ported
BSWFWTMPA	Fabric-Wrapped Wide Tackable Tiles Monolithic Ported 18" AFF	BY-SPTILEFAB	Fabric-Wrapped Tile, Ported
BSWFWTMPS	Fabric-Wrapped Wide Tackable Tiles Monolithic Ported 42" AFF	BY-SPTILEFAB	Fabric-Wrapped Tile, Ported
BSWFTTDPS	Fabric-Wrapped Tackable Middle Tiles Ported 42" AFF	BY-SPTILEFAB	Fabric-Wrapped Tile, Ported
BSWFWTDPS	Fabric-Wrapped Wide Tackable Middle Tiles Ported 42" AFF	BY-SPTILEFAB	Fabric-Wrapped Tile, Ported
BSWFTTBPA	Fabric-Wrapped Tackable Base Tiles Ported 18" AFF	BY-SPTILEFAB	Fabric-Wrapped Tile, Ported
BSWFWTBPA	Fabric-Wrapped Wide Tackable Base Tiles Ported 18" AFF	BY-SPTILEFAB	Fabric-Wrapped Tile, Ported
SPLW Model	Special	BY-SPTILEVEN	Veneer Tile, Ported
SPLW Model	Special	BY-SPTILELAM	Laminate Tile, Ported
BFG-AE4-PE144C	ELEC INFEED 144IN	BY-FG4INFEED	In-Feed, 4-Wire
BFG-AE4-PE216C	BYND ELEC INFEED PVC	BY-FG4INFEED	In-Feed, 4-Wire
BFG-AE4-PE72C	ELEC INFEED 72IN	BY-FG4INFEED	In-Feed, 4-Wire
BFG-AE4-SWDD1	BYND 4 TRC DPLX CR 1	BY-FG4DUPLEX	Duplex, 4-Wire
BFG-AE4-SWDD2	BYND 4 TRC DPLX CR 2	BY-FG4DUPLEX	Duplex, 4-Wire
BFGURFELP	BEYOND FINSHD END LP	BY-FSEND	Framed/Solid Finished End
BSWFTTBCA	FABRIC TL PRT CLRSTY	BY-SPTILEFAB	Fabric-Wrapped Tile, Ported
BSWFTTBCS	FABRIC TL PRT CLRSTY	BY-SPTILEFAB	Fabric-Wrapped Tile, Ported
BSWFWTBCA	FABRC WD TL PRT CLST	BY-SPTILEFAB	Fabric-Wrapped Tile, Ported
BSWFWTBCS	FABRC WD TL PRT CLST	BY-SPTILEFAB	Fabric-Wrapped Tile, Ported
BSWPSTBCA	STEEL TL PRTD CLRSTY	BY-SPTILESTEEL	Painted Steel Tile, Ported

MODEL REFERENCE GUIDE

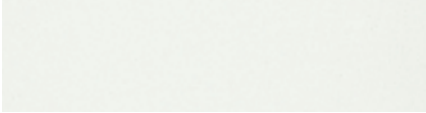
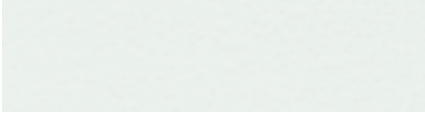
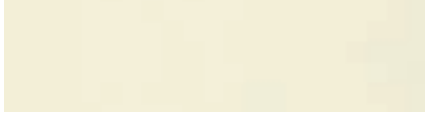
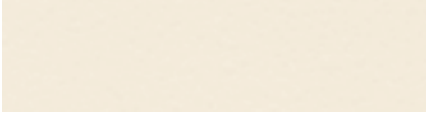
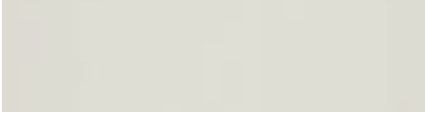
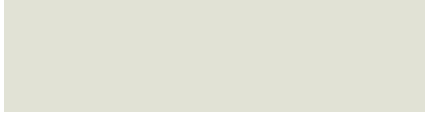
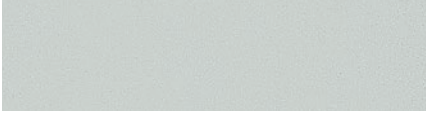

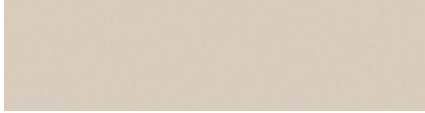


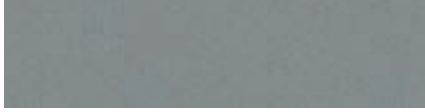





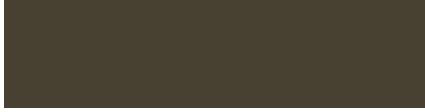

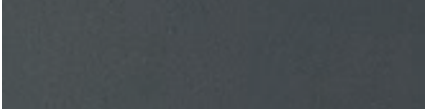


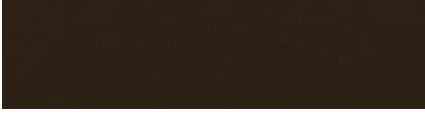


OLD BASE MODEL	OLD DESCRIPTION	NEW BASE MODEL	NEW DESCRIPTION
BSWPSTBCS	STEEL TL PRTD CLRSTY	BY-SPTILESTEEL	Painted Steel Tile, Ported
BSWPSTMPS	STEEL TILE PRTD MONO	BY-SPTILESTEEL	Painted Steel Tile, Ported
N/A	N/A	BY-SLDPANEL	Solid Panel Assembly
APCHHDGS	AP Hinged Door Hardware Kit - Glass Single	BY-HINGEDMOUNT / AS-HINGEDMOUNT	Hinged Door Mounting Hardware (Beyond / Aspect)
APCHHDGS	AP Hinged Door Hardware Kit - Glass Single	BY-HINGEDMOUNT / AS-HINGEDMOUNT	Hinged Door Mounting Hardware (Beyond / Aspect)
APCMC	Magnetic Catch	BY-MAGCATCH / AS-MAGCATCH	Magnetic Catch (Beyond / Aspect)
APCHPDLG	AP Center Swing Pivot Glass Door Lever	BY-LEVER / AS-LEVER	Cylindrical Lockset (Beyond / Aspect)
APCHPDLG	AP Center Swing Pivot Glass Door Lever	BY-LEVER / AS-LEVER	Cylindrical Lockset (Beyond / Aspect)
APCHDLW	AP Wood / Aluminum Framed Door Lever	BY-LEVER / AS-LEVER	Cylindrical Lockset (Beyond / Aspect)
APCHDSD	AP Door Stop	BY-DOMESTOP / AS-DOMESTOP	Dome Door Stop (Beyond / Aspect)
APCHDSF	AP Door Stop	BY-CYLSTOP / AS-CYLSTOP	Cylindrical Door Stop (Beyond / Aspect)
APCHLPG12	12" Pull - Glass	BY-PULL12 / AS-PULL12	12" Ladder Pull (Beyond / Aspect)
APCHLP60	60" Pull	BY-PULL60 / AS-PULL60	60" Ladder Pull (Beyond / Aspect)
APCHLPW12	12" Pull - Wood	BY-PULL12 / AS-PULL12	12" Ladder Pull (Beyond / Aspect)
APCHLP60	60" Pull	BY-PULL60 / AS-PULL60	60" Ladder Pull (Beyond / Aspect)
APCHHDGD	AP Hinged Door Hardware Kit - Glass, Double	BY-HINGEDMOUNT / AS-HINGEDMOUNT	Hinged Door Mounting Hardware (Beyond / Aspect)
APCHHDGS	AP Hinged Door Hardware Kit - Glass, Single	BY-HINGEDMOUNT / AS-HINGEDMOUNT	Hinged Door Mounting Hardware (Beyond / Aspect)
APCHDWD	AP Hinged Door Mounting Hardware - Wood / Aluminum Framed, Double	BY-HINGEDMOUNT / AS-HINGEDMOUNT	Hinged Door Mounting Hardware (Beyond / Aspect)
APCHDWS	AP Hinged Door Mounting Hardware - Wood / Aluminum Framed, Single	BY-HINGEDMOUNT / AS-HINGEDMOUNT	Hinged Door Mounting Hardware (Beyond / Aspect)
APCHPDAS	Center Swing Pivot Aluminum Framed Glass Door Mounting Hardware, Single Door	BY-PIVOTMOUNT / AS-PIVOTMOUNT	Pivot Door Mounting Hardware (Beyond / Aspect)
APCHPDWS	Center Swing Pivot Solid Door Mounting Hardware, Single Door	BY-PIVOTMOUNT / AS-PIVOTMOUNT	Pivot Door Mounting Hardware (Beyond / Aspect)
APCHPDGPS	AP Center Swing Pivot Mounting Hardware	BY-PIVOTMOUNT / AS-PIVOTMOUNT	Pivot Door Mounting Hardware (Beyond / Aspect)

MODEL REFERENCE GUIDE

OLD BASE MODEL	OLD DESCRIPTION	NEW BASE MODEL	NEW DESCRIPTION
APCHLP20	20" Pull	BY-PULL20 / AS-PULL20	20" Ladder Pull (Beyond / Aspect)
APCHLP20	20" Pull	BY-PULL20 / AS-PULL20	20" Ladder Pull (Beyond / Aspect)
APCHDWD	AP Hinged Door Mounting Hardware - Wood / Aluminum Framed, Double	BY-HINGEDMOUNT / AS-HINGEDMOUNT	Hinged Door Mounting Hardware (Beyond / Aspect)
APCHDWS	AP Hinged Door Mounting Hardware - Wood / Aluminum Framed, Single	BY-HINGEDMOUNT / AS-HINGEDMOUNT	Hinged Door Mounting Hardware (Beyond / Aspect)
APCHHDGS	AP Hinged Door Hardware Kit - Glass, Single	BY-HINGEDMOUNT / AS-HINGEDMOUNT	Hinged Door Mounting Hardware (Beyond / Aspect)
APCHPDGPS	hinged Door Frame	BY-PIVOTMOUNT / AS-PIVOTMOUNT	Pivot Door Mounting Hardware (Beyond / Aspect)
APCHPDLG	AP Center Swing Pivot Glass Door Lever	BY-LEVER / AS-LEVER	Cylindrical Lockset (Beyond / Aspect)
APCHHDGS	AP Hinged Door Hardware Kit - Glass, Single	BY-HINGEDMOUNT / AS-HINGEDMOUNT	Hinged Door Mounting Hardware (Beyond / Aspect)
APCHLP49	49" Pull	BY-PULL49 / AS-PULL49	49" Ladder Pull (Beyond / Aspect)

## Paint Color Selection

## Paint Colors - Grade 1

		
Textured Designer White PK7	Designer White PJW	Textured Muslin P7M
		
Muslin P4J	Textured Loft P7L	Loft P7B
		
Textured Salt P8Z	Salt P8C	Parchment P93
		
Textured Pebble P8Y	Pebble P8R	Textured Titanium P8V
		
Titanium P8T	Bungalow P7C	Fossil P28
		
Pewter P8D	Textured Brownstone P7J	Brownstone P7D
		
Textured Flint/Charcoal P7A	Flint P02	Textured Black Mica <i>Discontinued 6/30/2022</i> P6P
		
Cinder P7Q	Carob <i>Discontinued 12/31/2020</i> P52	Black P71
		
Textured Charblack XCBK		

## Paint Colors - Grade 2



Champagne Metallic PR5



Gunmetal Metallic PR3



Matte Gold P8G



Night Bronze P8B



Pyrite PJE



Silver PR6



Solar Black P8X

## Anodized Aluminum - Grade 1



Satin Anodized Aluminum SAL

## Veneer

### Stratawood Veneers - Grade 1

		
Clear Maple SE800	Clear Oak SF300	Silver Oak SB100
		
Light Cherry SC701	Light Walnut ST601	Burnished Cherry SC777
		
Dark Rift Oak SF331	Cinnamon/Biltmore Cherry SC260	Lowell Ash Cherry SC394
		
Clear Cherry SC700	Shaker Cherry SC774	Harvest Maple SE856
		
Phantom Ecru SE912	Field Elm SE599	Belair SE934
		
Beigewood SE878	Portico Teak SB150	Skyline Walnut ST625
		
Pinnacle Walnut ST679	Sumatra Walnut ST693	Florence Walnut ST579

\*Note: Natural veneers can only be used on monolithic and base tiles due to difficulty in matching the grain pattern between segmentations



## Natural Veneers - Grade 1\*



Natural Maple NE800



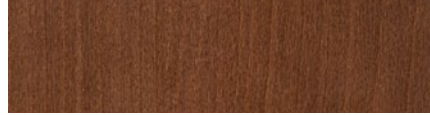
Light Cherry NC701



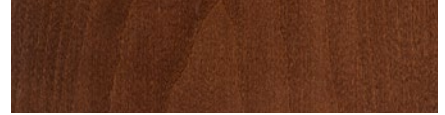
Burnished Cherry NC777



Light Walnut NT601



Lowell Ash NC394



Shaker Cherry NC774



Cinnamon/Biltmore Cherry NC260



Medium Red Cherry NC512



Harvest Maple NE856



Clear Maple NE800



Skyline Walnut NT625



Nutmeg Walnut NT629



Pinnacle Walnut NT679



Sumatra Walnut NT693

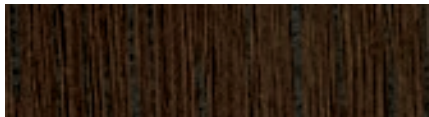


Ebony Walnut NT509



Florence Walnut NT579

## Natural Veneers - Grade 2\*



Dark Rift Cut Oak RF331



Light Rift Cut Oak RF301



Phantom Ecru Rift Cut Oak RF912

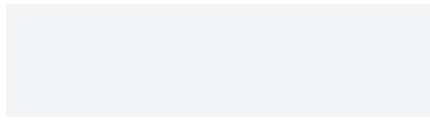


Fawn Cypress Rift Cut Oak RF108

OVERVIEW  
 TABLE OF CONTENTS  
 NEW, REVISED, AND DISCONTINUED  
 MATERIALS AND FINISHES  
 WARRANTY  
 POLICIES AND PRODUCT CARE  
 DEFINITIONS AND ACRONYMS  
 SUSTAINABILITY  
 STATEMENT OF LINE  
 SITE REVIEW

## Laminate

### Solid Laminates - Grade 1



Designer White LDW1



Muslin LM15



Loft LM11



Bungalow LM12



Titanium LT11



Fossil Shale LEH1



Brownstone LM13



Flint LM16



Black P

### Woodgrain Laminates - Grade 1\*



Kingswood Walnut LK11



NeoWalnut LNU1



Shaker Cherry LW7C



Florence Walnut LFW1



Belair LWBA



Field Elm LWFE



Bourbon Cherry H



Pinnacle PINC

### Woodgrain Laminates - Grade 2\*



Phantom Ecu LPE1



Beigewood LWBE



Fawn Cypress LFC1



Natural Recon LNR1



Portico Teak LPT1



Phantom Charcoal LPC1



Mangalore Mango LMM1



Lowell Ash LLA1



Skyline Walnut LSW1



Veranda Teak LVT1

### Woodgrain Laminates - Grade 3\*



Natural Walnut LWNW

\*Note: woodgrain laminates can only be used on monolithic and base tiles due to difficulty in matching the grain pattern between segmentations

## Painted Wood Doors

### Paint Colors - Grade 1

		
Designer White 25* P JW	Muslin P 4J	Loft P 7B
		
Parchment P 93	Bungalow P 7C	Fossil P 28
		
Flint P 02	Brownstone P 7D	Carob <i>Discontinued 12/31/2020</i> P 52
		
Black P 27		

### Paint Colors - Grade 2

		
Gunmetal Metallic P R3	Champagne Metallic P R5	Platinum Metallic P R2

## Painted Steel Tiles

### Paint Colors - Grade 1

		
Textured Designer White P K7	Textured Loft P 7L	Textured Muslin P 7M
		
Textured Salt P 8Z	Textured Pebble P 8Y	Textured Titanium P 8V
		
Textured Brownstone P 7J	Textured Flint P 7A	Textured Charblack XCBK

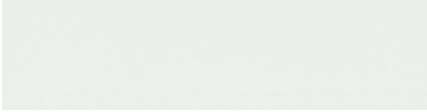
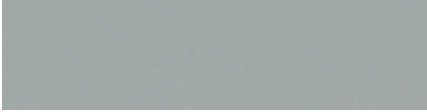




### Paint Colors - Grade 2


Solar Black P 8X

OVERVIEW  
 TABLE OF CONTENTS  
 NEW, REVISED, AND DISCONTINUED  
 MATERIALS AND FINISHES  
 WARRANTY  
 POLICIES AND PRODUCT CARE  
 DEFINITIONS AND ACRONYMS  
 SUSTAINABILITY  
 STATEMENT OF LINE  
 SITE REVIEW

## Beyond Zippers

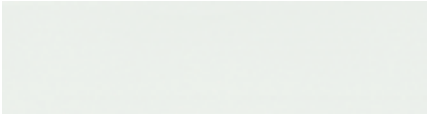
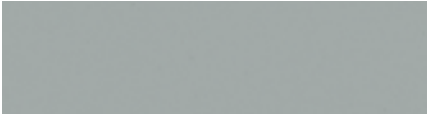
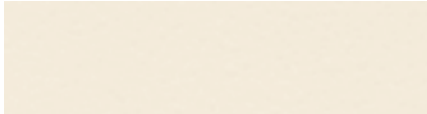
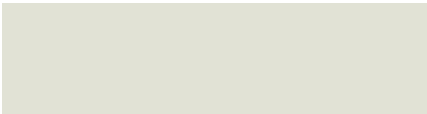

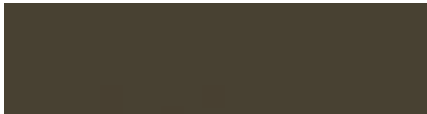

### Zipper Colors

		
Designer White DW	Grey EC	Warm Tone EF
		
Brownstone BW	Black-Kloeber (20 gloss) E4	Soft White <i>Discontinued 12/31/2020</i> EA

\*Adjustable angle zippers are only available in Grey and Black.



## Electrical - Framed and Solid Panels

### Polymer Colors

		
Designer White DW	Titanium ES	Muslin / Soft White EU
		
Loft EV	Flint E9	Brownstone EY
		
Black-Kloeber (20 gloss) E4		

## Electrical - Frameless Panels

### Polymer Color

	
Titanium ES	Black-Kloeber (20 gloss) E4

## Vertical Fillers - Frameless Panels

### Material

	
Clear Polycarbonate CPC	Anodized Aluminum SAL

Beyond glass comes in a variety of thicknesses and opacities. All Beyond glass meets ANSI Z97.1 safety glass standard. Different types of glass can be specified to boost acoustic properties, add visual privacy, or create an artistic look.

## Glass Thickness Options

- Beyond Frameless: ½"
- Beyond Framed and Solid with integrated glass:
  - ¼"
  - ⅜"

## Glass Types

- Tempered glass is one sheet of heat-treated safety glass.
- Laminated annealed glass is made of up two pieces of safety glass that are secured together with an interlayer. Laminated glass boosts acoustic properties and typically carries a higher STC rating.
- Performance or high acoustic laminated glass further boosts acoustic properties. A thin, transparent film is placed between the sheets of laminated glass that reduces sound travel and gains additional STC points.

## Glass Colors

- Clear glass has a slight greenish hue when glass is viewed from the edges or side profile.
- Low iron glass is ultra-clear and of higher transparency and clarity than clear float glass. Generally, the green hue of the glass is reduced. It is typically more expensive than clear float glass.
- Translucent white laminated has a medium light transmission level of 65%, meaning it's semi-transparent.
- White marker board laminated has a low light transmission level of 10%, meaning it's nearly opaque. The lower the light transmission level, the more difficult it is to see through the glass.

## Acoustical Performance

BEYOND	STC Result*	Glass Only
<b>Frameless</b>		
½" Laminated Glass with High Acoustic Interlayer	Not Tested	39
½" Laminated Glass	36	38
½" Tempered Glass	34	36
<b>Framed</b>		
⅜" Laminated Glass	34	36
¼" Laminated Glass	32	35
⅜" Tempered Glass	31	33 to 34
¼" Tempered Glass	27	31
<b>Solid</b>		
Steel Tiles, Standard Insulation	44	N/A
Steel Tiles, No Insulation	39	N/A
Wood Tiles, Standard Insulation	44	N/A
Wood Tiles, No Insulation	36	N/A

\*STC test results represent testing of a fully assembled wall panel.

OVERVIEW  
 TABLE OF CONTENTS  
 NEW, REVISED, AND DISCONTINUED  
 MATERIALS AND FINISHES  
 WARRANTY  
 POLICIES AND PRODUCT CARE  
 DEFINITIONS AND ACRONYMS  
 SUSTAINABILITY  
 STATEMENT OF LINE  
 SITE REVIEW

Glass codes are universal across Beyond frameless, framed, solid integrated glass, and doors.

Description	Code	Grade
1/2" Tempered, Clear	HA	1
1/2" Tempered, Low Iron	HB	4
1/2" Laminated, Clear	HC	2
1/2" Laminated, Low Iron	HD	5
1/2" Laminated, High Performance, Clear	HG	3
1/2" Laminated, High Performance, Low Iron	HH	6
1/4" Tempered, Clear	QA	1
1/4" Tempered, Low Iron	QB	3
1/4" Laminated, Clear	QC	2
1/4" Laminated, Low Iron	QD	5
1/4" Laminated, Clear, Translucent White	QE	3
1/4" Laminated, Low Iron, Marker Board	QF	6
1/4" Laminated, High Performance, Clear	QG	4
1/4" Laminated, High Performance, Low Iron	QH	6
1/4" Laminated, Clear, Marker Board	QL	3
3/8" Tempered, Clear	TA	2
3/8" Tempered, Low Iron	TB	4
3/8" Laminated, Clear	TC	3
3/8" Laminated, Low Iron	TD	4
3/8" Laminated, Clear, Translucent White	TE	4
3/8" Laminated, Low Iron, Marker Board	TF	7
3/8" Laminated, High Performance, Clear	TG	5
3/8" Laminated, High Performance, Low Iron	TH	7
3/8" Laminated, Clear, Marker Board	TL	4
3/8" Back-to-Back Back-Painted, Low Iron, Turquoise	TN	7
3/8" Back-to-Back Back-Painted, Low Iron, Cherry	TP	7
3/8" Back-to-Back Back-Painted, Low Iron, Lawn	TQ	7
3/8" Back-to-Back Back-Painted, Low Iron, Jet (Framed Glass Panel and Door Only)	TR	7
3/8" Back-to-Back Back-Painted, Low Iron, Mandarin	TS	7
3/16" Back-Painted, Low Iron, Marker Board, White	OA	1
3/16" Back-Painted, Low Iron, Marker Board, Magnetic, White	OB	2
5/16" Laminated, Low Iron, Marker Board, Magnetic	QW	1

## Exposed Door Hardware Finishes



Black

BLK



Silver

SIL

Our unwavering commitment to our customers compels us to care, and our dedication to quality is just one of the ways we show our customers how much they mean to us.

We recognize that keeping up with the pace of change requires having products that work as hard as the people who use them. That's why each of our products is rigorously tested and certified to meet the highest industry standards.

In the unlikely event that any Allsteel product or component covered by the Allsteel Warranty should fail under normal workplace use because of defective material or workmanship, Allsteel promises to fix it. Because taking care of *people* is how Allsteel takes care of business.

For information on Allsteel's warranty coverage, visit [AllsteelOffice.com](http://AllsteelOffice.com).

## COM Program

Allsteel understands that customers may at times want to specify fabrics outside of Allsteel's standard fabric offering. Our COM program was designed to make specifying COMs on Allsteel products a simpler, friendlier, and hassle-free process. This process is simple and easy to use, and is described below under "Allsteel to Supply." If Dealers wish to manage the COM process themselves, they can do so by following guidelines under "Dealer to Supply." Find out more about Allsteel's COM process by emailing our COM Department at [ASICSCOM@allsteeloffice.com](mailto:ASICSCOM@allsteeloffice.com).

### Allsteel to Supply:

1. Select the fabric you wish to use and check the Tailored Solutions Application on Synergy. You need the COM supplier's name, fabric pattern name, and color name to search for approved fabrics.
2. If your fabric is listed as an approved fabric for Stride® or Beyond, you may place your selection with your Beyond Planner. Please use the fabric code (e.g., P242761XP) from the Tailored Solutions Test Request. **Make sure to confirm with your Beyond Planner that fabric is "Allsteel to Supply."** If your fabric is not listed as approved, you will need to complete a COM Test Request on Tailored Solutions. Allsteel will arrange to obtain the test fabric and you will be notified of the results within 3 to 5 working days of receipt of the test yardage by Allsteel.
3. If the fabric is approved, you will receive an email summary from Tailored Solutions with the correct price grade and fabric code for order purposes. Written COM price quotes hold pricing for 90 days after issue date.
4. Once the fabric has been approved by Allsteel, the code can be supplied to your Beyond Planner for submittal of your order. Allsteel will purchase all COM fabric directly from the COM suppliers and schedule for production.

In the event that the Dealer decides to cancel a COM fabric order, the Dealer is responsible for the cost of the fabric plus a handling charge that is equal to 10% of the fabric cost.

### Dealer to Supply:

1. Select the fabric you wish to use and check the Tailored Solutions Application on Synergy. You need the COM supplier's name, fabric pattern name, and color name to search for approved fabrics.
2. If your fabric is listed as approved for Stride® or Beyond, work with your Beyond Planner and Beyond Project Specialist to determine yardage required for your order.

3. If your fabric is not listed as already tested and approved, you will need to complete a COM Test Request on Tailored Solutions. You will need to arrange for the test fabric to be sent to:

#### Panel Test Fabric:

Allsteel Inc.  
Attn: Com Dept.  
Dock Doors 46-48  
3000 North Hwy 61  
Muscatine, IA 52761

Allsteel requires 3 yards of fabric for each panel system fabric being tested. Make sure to include two memo samples for each fabric to be tested with the test fabric. You will be notified of the test results within 3 to 5 working days of receipt of the test yardage by Allsteel.

4. Work with your Beyond Planner to specify your chosen fabric for your order, **making sure to clearly specify that it will be Dealer to Supply.**
5. All "Dealer to Supply" orders will be charged Grade B for panels. Dealers will pay for the COM fabric separately.
6. All "Dealer to Supply" fabric must be sent on a fabric roll.
7. Place your fabric order directly with the COM Supplier with instructions for the fabric to be sent on a fabric roll to:

#### HNI Fabric Distribution Center – Dealer PO Number COM Production Yardage

Dock Doors 2-4  
3000 University Drive  
Muscatine, IA 52761

Information that **MUST** be included in the packing slip attached to the fabric:

- a. Dealer's Purchase Order Number to Allsteel
- b. Allsteel's tracking number for the COM fabric
- c. Dealer Name
- d. Yards of fabric

If the fabric shipment does not match the correct fabric and yardage, Allsteel will notify the Dealer for resolution.

If Allsteel receives fabric with incorrect labeling that cannot be linked to an Allsteel furniture order, Allsteel will hold the fabric for up to 7 days, while the COM Expeditor attempts to identify the order. After 7 days, Allsteel will return the fabric to sender. There are no exceptions to this policy.

Any canceled orders are subject to cancellation charges up to the full value of the Allsteel product canceled. Allsteel will determine the actual cancellation charge at the time the cancellation is requested.



## Additional Policy Information:

The Company assumes no responsibility for the overall appearance, flammability, normal durability, colorfastness, or any other quality standards. The Company reserves the right to reject a COM if the quality of the COM is not satisfactory for the product. Should this occur, the Customer will be notified with an explanation within 7 working days of receipt of test materials.

The Company is not responsible for fabric that has become obsolete at the COM supplier, that is of poor quality, or that is delivered late to the manufacturer from the COM supplier. Excess yardage will be disposed of at Allsteel's discretion.

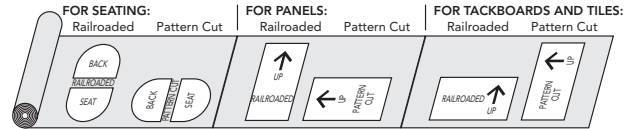
All cancellations or changes to COM orders are subject to Company approval. Because of the nature of COM, special fabrics, finishes, and structural modifications, products ordered as special and then canceled prior to shipment are subject to cancellation costs up to the full value of the product canceled. The Company determines the actual cancellation charge at the time the cancellation is requested. Upon approval, a cancellation number is issued to the Customer.

Purchase orders will not be accepted or entered unless the testing process is complete with positive results.

If all testing has been previously completed, re-testing is only necessary if fabric is to be used on a different product, or pattern direction has changed from that previously approved.

Previous test results can be obtained by a Customer on the Tailored Solutions Application or by calling Allsteel Customer Support.

COM testing will require 3-5 working days from receipt of test yardage.



All COM fabric will be applied to seating and panel systems Pattern Cut unless Railroad Cut is requested and approved on the COM Test Request in Tailored Solutions. Any fabrics approved as a width pass, the dealer is responsible for clarifying Railroad Cut on orders containing items that are too large to support the Pattern Cut of a fabric application (any items larger than 48" high or wide).

## Fire Retardant

The Dealer is responsible for ensuring that the COM fabric is certified to meet all flame retardant requirements.

*For more information, please contact Allsteel Customer Support.*

## Special Paint and Stain Policy

Allsteel at its own discretion may modify its standard products with non-standard paint and stain colors to meet specific needs. Dealer is required to submit a special paint or stain request via the Tailored Solutions Application on Synergy. A sample of the non-standard paint or stain color desired will be required for matching. Pricing, lead time, and order information will be provided at the time of approval.

- For each new requested stain or paint, there will be a \$500 net fee to cover supplier costs to match the special item.
- For existing, previously-approved stains or paints, there is no \$500 matching fee, however, there is a sample chip fee of \$175 net for stains and \$100 net for paints.
- Samples, preferably at least 3" x 5" chips, of the exact color desired should be sent to the Allsteel Tailored Products Group. Paint matches require (3) sample chips and stain matches require (3) sample chips. Please mail these sample chips to the address below and reference the Special Item Request Number from Tailored Solutions.

### Allsteel Inc.

Attn: COM Department  
Dock Doors 46-48  
3000 North Hwy 61  
Muscatine, IA 52761

- Allsteel will color match the sample and send control samples to the address provided in the request. Dealer will review Allsteel's color match and approve by signing the back of the sample chip. Send the signed sample back to the Allsteel Tailored Products Group.
- Product pricing for all special paints falls under the Select Paint price grade.
- Orders will not be accepted until Allsteel receives the Dealer's written approval on the color match.
- Extended lead times will apply on orders containing special paints or stains.
- Due to manufacturing techniques, materials, and quality issues, some exclusions will apply and some matches may be declined.

## Important Notes

- Natural veneer is subject to nature's quality control. Differences in grain and color are naturally occurring variations and cannot be controlled by the manufacturer and cannot be considered as product defects. Natural veneer has the characteristics and beauty of a living organism; with its own variations of grain, growth, and color patterns. For these reasons, Natural veneer is preferred by many for its warmth and personal characteristics.
- Color changes will occur over time when wood is exposed to light. For this reason, when new product is ordered as an addition to existing product, there will be color variances between the old and new product. Please remember when specifying new product that although the species of veneer will be the same, additional product is being manufactured from a different tree. It may take several months for the new furniture to mature to the color level of existing product. Even with this maturation process the additional product will not be an exact match.

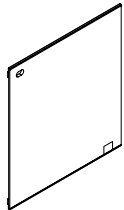
## Special Laminate Policy

The Company at its own discretion may modify its standard products with non-standard laminates to meet specific needs. Contact the Allsteel Tailored Products Group for pre-approved Wilsonart, Formica, Nevamar, and Pionite laminates and pricing for special laminates. When requesting a special laminate please supply manufacturer, along with name and pattern number of laminate.

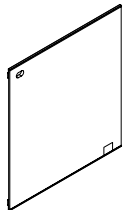
- Extended lead times will apply on orders containing special laminates.
- Due to manufacturing techniques, materials, and quality issues, some product exclusions will apply and some requests may be declined.

## 16x20 Sample Yardage

- Sample yardage is available for both Seating upholstery and Systems fabrics.
- Samples have sewn edges, a grommet, and identifying label.
- Not available in COM fabrics.
- Swatch cards and 4" x 5" memo samples are available through Allsteel Advantage at 1-866-ALLSTEEL.



Model	Ship Weight	Cubes	List Price by Grade								
			1	2	3	4	5	6			
<b>Seating Upholstery Sample — 16"H x 20"W</b>											
SYSTG	.4 <span style="border: 1px solid black; padding: 0 2px;">S</span>	.2	\$ 111	\$ 123	\$ 131	\$ 138	\$ 151	\$ N/A			
			7	8	9	10	Leather 1	Leather 2			
			\$ 167	\$ 178	\$ 187	\$ 195	\$ 224	N/A	11	12	\$ 216



Model	Ship Weight	Cubes	List Price by Grade					
			A	B	C	D	E	F
<b>Systems Fabric Sample — 16"H x 20"W</b>								
SYSFS	.4 <span style="border: 1px solid black; padding: 0 2px;">S</span>	.2	\$ 89	\$ 95	\$ 100	\$ 110	N/A	N/A
<i>Specification Example: SYSFS.ECH902</i>								

## Fabric Care

Cleaning instructions are listed on the back of our fabric cards and are available in written form upon request.

### Cleaning Codes

- |  |   |
|--|---|
| <p><b>D</b> Dry clean only.</p> <p><b>L</b> Clean with warm water and mild soap, using clean cloth, as soon as possible.</p> <p><b>P</b> Clean with detergent and water or perchlorethylene.</p> <p><b>R</b> Detailed recommended cleaning and/or disinfecting procedures are available upon request.</p> <p><b>S</b> Only pure, water-free solvents may be used. CAUTION: Use of water-based or detergent-based solvents may cause shrinking and/or permanent water stains.</p> | <p><b>SM</b> Same as S. Do not brush.</p> <p><b>SW</b> Clean with water-based cleaning agents, foam, or pure water-free solvents (Energine®, Carbona®, Renuzit®, or other similar products). Vacuuming or light brushing is recommended to prevent dust and soil buildup.</p> <p><b>W</b> Water-based cleaning agents or foam may be used.</p> <p><b>WS</b> See SW.</p> <p><b>X</b> Brush or vacuum only.</p> <p><b>XS</b> Brush and vacuum only, NO liquid cleaners.</p> |
|--|---|

## Veneer Care Instructions

Veneer worksurfaces feature the Gunlocke® finishing system. The finishing system is a process that begins with the application of stains, which promote exceptional depth and clarity. Next the worksurface receives a specialized coating that provides exceptional durability and chemical resistance. The remaining surfaces receive a top coat. These finishing processes ensure depth, clarity, color consistency, and durability throughout the product.

Veneer worksurfaces have exceptional resistance to:

- Heat and moisture (hot beverages, pizza boxes)
- Chemicals (liquid paper, nail polish)
- Stains (permanent markers)
- Scratches and impact (everyday wear and tear)

### Caring for your veneer finish:

- General maintenance procedures entail wiping clean the entire surface with a clean, water-dampened soft cloth once per week (be sure to wipe with the grain).
- Murphy's® Oil Soap may be used as a general purpose type cleaner with warm water to clean tops.
- The finish may also be polished with Guardsman® Furniture Polish (contains no waxes or silicones) to provide renewed luster.
- Be sure to wipe up all spills immediately. Do not allow spills to dry.

**Wood owes its inherent beauty to variations in color, grain, and texture, and therefore, these variations are not considered defects. There may be minor variations from one piece of furniture to the next even though they are finished at the same time. Exposure to light and the aging process will cause a darkening of natural wood products. Light finishes on wood products do not mask the natural characteristics of wood. Allsteel does not guarantee the exact matching of grain, pattern, and color.**

### A

**AFF:** Above finished floor. Most commonly used when indicating the port-height locations on electrical posts in hardwired power applications. For example, 18" AFF indicates 18"H to the centerline of the receptacle above finished floor.

**ADA:** Americans with Disabilities Act.

**Adapter:** Painted or anodized aluminum post that is used to attach frameless glass panels to doors.

**Adjustable Footer:** Can be applied to certain doors to minimize the space between the door and the floor (undercut) to enhance acoustics. This allows for the ability to maintain one door height within a space, thus increasing overall flexibility.

**Anodized Aluminum:** Aluminum coated by an electrolytic process to produce an oxide film that is corrosion-resistant.

**Architectural Wall:** Vertical formal partition used to divide or enclose space, or support another structure.

**Arris:** See [bevel](#).

**Aspect:** Allsteel's low profile, frameless glass demountable wall system.

### B

**Back-painted Glass:** Any form of glass that is painted from the back side and viewed from the front side.

**Ball-bearing Hinges:** Used when hanging a door. Ball-bearing hinges differ from plain-bearing hinges in that they have a steel ball or buffer in between the knuckles.

**Beaded Lite:** Referring to solid doors with glass inserts. With this construction, most often there is a (standard quarter round) bead on both sides of the glass to hold it in place. This is the more cost-effective option as compared to the beadless lite construction.

**Beadless Lite:** Referring to solid doors with glass inserts in which the top rail is plowed out so the glass can slide in with the opening then plugged. There is a lumber liner on the core around the lite opening. Beadless lite is generally chosen with a cleaner aesthetic in mind, as opposed to the beaded lite construction. It is also generally more expensive.

**Bevel:** An angled or sloping surface, such as the edge of a door or glass panel.

**Butt Joint:** A joinery technique without a frame in which two members are joined by simply butting them together.

### C

**Card Reader:** An electronic device used for access control that reads a magnetic strip on an access card to allow the opening of a door.

**CET:** Specification software used for designing, planning and configuring of Allsteel products.

**Ceiling Attenuation Class (CAC):** A measure for rating the performance of a ceiling system as a barrier to airborne sound transmission through a common plenum between adjacent closed spaces such as offices. A ceiling system with a CAC less than 25 is generally considered low performance, whereas a ceiling system with a CAC greater than 35 is generally considered high performance.

**Ceiling Grid – Fine Line:** A narrow profile slotted grid system with ¼" or ⅝" reveal.

**Ceiling Grid – Service or Direct Mount (Flush):** A narrow profile slotted grid system with no reveal.

**Chamfer:** A beveled edge connecting two surfaces.

**Clerestory:** A high section of wall that contains windows above eye level used to admit light.

**Closer:** Commonly refers to a door closer. A mechanical device that closes a door, in general, after someone opens it or after it was automatically opened.

**Conduit:** Tube to route electrical or data wiring within the wall or panel system.

**Construction Specifications Institute (CSI):** An organization that records and updates the standardization of construction language as it pertains to building specifications.

**Crash Bar:** See [Panic Bar](#).

**Cylindrical Lock:** A lock where the keyhole and tumbler mechanisms are contained in the door handle.

**Cylindrical Passage Set:** A functioning door handle applied to two sides of the door leaf with no locking mechanism included.

### D

**Demising Wall:** A common wall between two units. For demountable walls, this most commonly refers to replacing drywall with solid walls perpendicular to glass panels/storefronts.

**Demountable Wall:** A non-load-bearing wall made of prefabricated sections that can be readily disassembled and relocated. These walls may be full height or partial height.

**Detent:** On a swing (or hinged frameless glass) door, this commonly refers to the "hold open function" when specifying a closer.

**Door Frame:** Creates the structure for mounting the various door types. A door frame consists of one header and two jamb legs. Depending on the door type, the frame may also include a partial or full strike.

**Door Hardware:** Locks, handles, etc., designed for use on doors.

**Door Head:** The horizontal upper member of a door frame.

**Door Hinges:** Mounting hardware that is often handed when referring to hinged swing doors. Allsteel uses ball-bearing hinges for solid and aluminum framed swing doors and self-closing hydraulic hinges for frameless swing doors.

**Door Jamb:** The part of a door frame which surrounds and contacts the edges of the stiles and top rail of a door. Jamb may be classified as (1) "head" or "side" jamb and (2) "plain" or "rabbeted."

**Door Skin:** The front or face panel (usually two or more plies) of a flush door.

**Door Stop:** Any device or object used to halt the motion of a door, such as a large or heavy object, a wedge, or some piece of hardware fixed to the floor, door, or wall.

**Door Strike:** Metal plate affixed to a door jamb with a hole(s) to receive the door bolt. This keeps the door from swinging in two directions and assists in holding the door closed.

**Door Track:** A metal track or rail on which a sliding door moves.

**Drop Seal:** A door mechanism activated on closure that eliminates an undercut of up to ¾" with a rubberized seal. Used to provide improved acoustic performance.

**Dropped Ceiling:** A secondary ceiling, hung below the main (structural) ceiling. It may also be referred to as a drop ceiling, T-bar ceiling, false ceiling, or suspended ceiling, and is a staple of modern construction and architecture. The area above the dropped ceiling is called the plenum space, as it is sometimes used for HVAC air returns. The plenum space is also very commonly used to conceal piping, wiring, and/or ductwork.

**Drywall End Cap:** Painted or anodized aluminum post that conceals the demising wall in between two panels or doors to give the appearance of a continuous run.

### E

**Electric Strike:** An access control device used for doors. It replaces the fixed strike faceplate often used with a latch bar (also known as a keeper).

**End-of-Run Finished End:** Painted or anodized aluminum cap to finish the end of a wall when it is not attached to construction.

**Extrusion:** Long profiles of aluminum or plastic used in construction of demountable walls. An example would be an aluminum post or trim.

### F

**Finished Floor:** The floor, usually laid over a subfloor, which provides the completed floor surface.

**Flexible Sweep:** A rubber or vinyl strip that easily bends and is applied to the bottom of a door to create an effective seal against the sill (threshold).

**Float:** Amount of adjustment at the ceiling or base.

**Float Glass:** A process of making glass. A sheet of glass is made by floating molten glass on a bed of molten metal, typically tin. This method gives the sheet uniform thickness and very flat surfaces. This process is also known as the Pilkington Process. Float glass is further processed as tempered or laminated prior to being used in Allsteel products.

**FSC® Veneer:** The Forest Stewardship Council, FSC® is an independent, non-governmental, not-for-profit organization established to promote the responsible management of the world's forests. The certification system provides internationally recognized standard-setting, trademark assurance and accreditation services to companies, organizations, and communities interested in responsible forestry. Allsteel veneers, laminates, and painted wood materials are available FSC certified.

**Full Strike:** Door seal or stop found along the edge of the door frame to provide higher acoustics. For a sliding door, it is found only on one edge of the frame, but on aluminum and solid doors it would be found on three edges.

**Furniture Integration:** All solid frames include slotted standards in the verticals for furniture-mounting capability.

### G

**Gasket:** A seal used inside aluminum trim to prevent the glass from touching the aluminum. The seal adds to the prevention of sound leakage.

**Gypsum:** A rigid board made of layers of fiberboard or paper bonded to a gypsum plaster core, used instead of plaster or wood panels in construction to form walls. This is not considered a strong environmental solution due to the inability to recycle.

### H

**Half Mortise Hinged:** A door hinge with one plate surface-mounted on the jamb and the other plate mortised into the door stile.

**Handed:** Doors are typically right- or left-handed, referring to the position of the door and direction in which it opens.

**Hard Lid Ceiling (Lid):** Gypsum board applied to the underside of the structure above and taped and finished as opposed to an exposed structure with a suspended acoustical tile ceiling or other finish.

**Hinged Door:** An exterior or interior door hung by attaching butts to the stile so that the door swings on a vertical axis. These doors may be single (swinging through 90 degrees) or double-acting (swinging through 180 degrees). Double-acting doors do not require a door stop. Utilizes a 39"W door frame.

### I

**Interchangeable Core:** A compact keying mechanism within a given format. This is most commonly used when referring to SFIC (small format) or LFIC (large format).

### J

**Junction Box (J-Box):** Container for electrical connections, usually intended to conceal them from sight and deter tampering.

### K

**Knuckles:** The cylindrical portion of a hinge through which the pin passes.

### L

**Ladder Pull:** Door hardware with a tubular pull design that attaches to the door through perforations. Can be locking or non-locking.

**Laminated Glass:** A type of safety glass consisting of two sheets of glass bonded together with an interlayer. Laminated glass increases the STC rating and can add color and opacity.

**Laminite Marker Board:** A marker board made from coated steel. Similar in performance to porcelain.

**Lites:** Refers to the pieces of glass that are cut, prepared, and used to create the window or door (related terms: toplite, sidelite, backlite). Lites are also known as tiers.

**Leveling Mechanism:** A lift that allows the glass to accommodate height variations in the floor.

**Low-iron Glass:** Ultra-clear glass of higher transparency and clarity than clear float glass. Generally, the green hue of the glass is reduced and it is typically more expensive than clear float glass.

### M

**Maglock:** Refers to an electromagnetic lock or magnetic lock. Consists of an electromagnet and an armature plate. Devices can be either "fail safe" meaning it is unlocked when power is lost or "fail secure" meaning it remains locked when power is lost.

**Master Keying:** Customizing a lock to be opened through the use of two keys rather than just one.

**Miter Joint:** The joining of two members at an angle that bisects the angle of junction.

**Modular Power:** Routes pre-wired electrical power systems in the base of a panel.

**Modularity:** Allows for ease of reconfiguration and movement of components. For example, if all panels and doors are 42" wide within a project, then they are considered "modular," and are interchangeable. This solution supports a small kit of parts strategy.

**Monolithic Tile:** A single tile that covers the full surface of a panel.

**Mortised Lock:** A lock that is in the edge of a door leaf so it cannot be seen or removed when the door is closed. The keyhole and tumbler are usually located above the door handle.

**Mortise:** A deep recess cut into wood for any of several other purposes, as for receiving a mortise lock.

**Mounting Hardware:** Any required hardware to install a door and frame. For a sliding door, this includes the sliding track.

**Mullion:** The upright or vertical member dividing glass panels or panels in a door.

**Mutin:** A horizontal bar or rigid supporting strip between adjacent panes of glass.

### N

**Natural Veneer:** As opposed to stratawood veneer, natural veneer is subject to nature's quality control, exemplifying differences in grain and color patterns.

**Nominal Height:** Floor-to-ceiling height used to specify the overall size of a demountable wall product. For example, if a Beyond Wall is 108"H nominal, it will fit into a space 107¼"H to 108¾"H as the actual product height will range ± ¼" depending on the flooring and ceiling conditions.

**Non-defacing:** Method of mounting a component that does not deface the mounting surface.

**Non-progressive Panels:** Allows a panel to be removed from the run without disturbing the remaining panels.

**Noise Reduction Coefficient (NRC):** A scalar representation of the amount of sound energy absorbed upon striking a particular surface.

### O

**Office Front:** The face of an office or conference room. Typically consists of several glass panels and a door.

### P

**Panel Creep:** When the connection between panels creates additional panel length/dimension to the run.

**Panic Bar:** A device for unlocking a door during emergency conditions. The mechanism is made up of a metal bar that is spring-loaded and fixed horizontally to the inside of an outward-opening door. Also called a crash bar, push bar, or panic device.

**Partial Strike:** Door stop found along part of the edge of the door frame to stop the door from swinging both ways. For center swing pivot doors only.

**Particleboard:** A formed panel consisting of particles of wood flakes and shavings, bonded together with a synthetic resin or other added binder. The particles are classified by sizes, dried to a uniform moisture content, mixed with binder, mat-formed, compressed to density, and then cured under controlled heat and pressure. Particleboard can be used to create a solid-core door.

**Passage:** Referring to doors that are non-locking.

**(Center Swing) Pivot Door:** A door that rotates on two metal pivots on the top and bottom of the door. Center swing pivot doors are made to be non-handed to increase flexibility and support a smaller kit of parts.

**Plenum:** Area above the ceiling, used for return air.

**Plumb:** Exactly perpendicular or vertical, or at right angles to the horizon or floor.

**Polycarbonate:** A type of plastic used in some of Allsteel's vertical fillers.

**Ported:** Tile or trim that has factory-cut holes for electrical or data components.

**Powder Coat:** A painting process where a powder material is applied and cured on a metal surface.

**Push Bar:** See [Panic Bar](#).

**PVB Interlayer:** Polyvinyl butyral (or PVB) is a resin usually used for applications such as laminated glass that require strong binding, optical clarity, adhesion to many surfaces, toughness, and flexibility. This resin is used to bond two sheets of safety glass together to form laminated glass.

### R

**Raceway:** A channel or cavity that's designed to hold wires and cables.

**Rail:** The cross or horizontal pieces of a door's framework. "Top rail," "mullion rail," "lock rail," and "bottom rail" are different types of rails based on their location in the structure of the door.

**Reveal:** The space, or margin, can be between any adjacent surfaces. Often refers to the space between tiles or trim.

### S

**Seismic Mounting:** Special materials and installation method used to secure walls in project locations prone to earthquakes.

**Set-back Panel:** A glass panel perpendicular to an office front, attaching to a solid demising wall also called a glass return.

**Sidelite:** Narrow glass panel adjacent to a door.

**Sliding Door:** A door pulled across a mounted track, rather than turning on hinges. Typically utilizes a 42" wide nominal door frame for a single door. The benefit of this solution is the ability to gain more usable space within an office as opposed to a hinged door.

**Slow Open/Close:** A mechanism that protects a door from being slammed and automatically opens or closes the door to the fullest extent possible. Also commonly called "soft open/close."

**Soffit:** Finished construction, usually with drywall, that forms the join between the ceiling and the top of a non-building item.

**Sound Transmission Class (STC):** An integer rating of how well a building partition attenuates or blocks airborne sound. The higher the number, the better. Allsteel's demountable wall systems have STC ratings that are typically higher than permanent construction.

**Stick Built:** Wall panels that are constructed entirely or largely on-site rather than in a factory or similar facility.

**Stile:** The vertical members of a door frame.

**Storefront:** Typically refers to contractor-built solutions for the face of an office or conference room (several panels and a door).

**Stratawood Veneer:** A natural, FSC®-certified reconstituted veneer enhanced by technology for consistency in both color and grain pattern. It features a repeatable straight-grain pattern, absent of cathedrals seen in natural veneer or other significant grain and tone variations.

**Subfloor:** The rough floor which rests on the floor joists and onto which the finished floor is laid. Also known as blind floor or counter floor.

**Substrate:** Primary or underlying material on which other materials (such as ink, coating, paint, or treatment) are applied, or from which other materials are made.

### T

**T-Bar:** A type of ceiling grid.

**Tempered Glass:** Tempered glass (or toughened glass) is a type of safety glass processed by controlled thermal or chemical treatments to increase its strength compared to normal glass. Tempered glass is used in passenger vehicle windows, shower doors, refrigerator trays, and much more.

**Translucent Glass:** Allows varying amounts of light to pass through, as opposed to transparent glass which lets 100% of light through, or opaque which lets 0% of light through.

**Transom:** A horizontal member separating a door from a window panel above the door, or separating one window above another. Also refers to a transom window which is set above the transom of a door or larger window.

### U

**Undercut:** The space between the bottom of the door and the floor. Allsteel doors feature a ½" undercut.

**Unitized:** A product construction method where the majority of the assembly occurs in a factory.

### V

**Veneer:** A thin sheet or layer of wood, usually rotary cut, sliced or sawn from a log, bolt, or flitch; thickness may vary from 1/100 to 1/4 of an inch. Also referred to as skin, ply, or veneer ply.

Beyond demountable walls play an important role in a workplace that is productive, healthy, and concerned with employee wellness and environmental impacts. Glass walls provide more natural light and better views to the outside, which improves productivity and enjoyment of the space. With more natural light entering the space, less artificial lighting is needed, requiring less energy to be used by the building and its tenant spaces. These factors have been shown to help with talent attraction and retention.

Being durable and truly movable allows Beyond walls to be used and reused longer, decreasing the need to extract, refine, and transport natural resources. The longer a product is used, the lower its environmental footprint. Beyond glass and solid walls drastically minimize off-gassing, compared to drywall painted on-site, so the workplace air quality is better for future occupants from the start. Beyond solid walls contain formaldehyde-free fiberglass. Good indoor air quality can contribute to higher productivity and other wellness benefits. Beyond is Indoor Advantage™ Gold certified and meets ANSI/BIFMA e3 credits 7.6.1, 7.6.2. and 7.6.3.

Beyond demountable walls are level®2 certified to the ANSI/BIFMA e3 Furniture Sustainability Standard. The product is evaluated by a third-party certifier on performance in the categories of materials, energy and atmosphere, human and ecosystem health, and social responsibility. Not only is the product audited against the standard, but also the manufacturing site and the organization. level®2 is the second-highest achievement.

## LEED® Project Contributions

Beyond demountable Walls can support LEED® projects by contributing to several credits within LEED V4.

### Energy & Atmosphere

Beyond's glass walls allow more natural light into a space in which may reduce energy use by decreasing the use of artificial lighting.

### Materials & Resources

*Long-Term Commitment:* Beyond's ease of reconfiguration makes it easier for a tenant to make a long-term commitment to a space, knowing that it will be possible to rearrange the workplace to suit changing needs in the future.

*Interiors Life-Cycle Impact Reduction, Options 1 and 3:* Designing for reuse and flexibility, like using demountable and movable walls, helps lessen the environmental impacts of interior spaces over time. Change is inevitable; Beyond's ease of reconfiguration and reuse helps project teams better accommodate changing floorplates in short timeframes.

*BPDO Sourcing of Raw Materials, Option 2:* Although glass must be virgin material to achieve its clarity and strength, other components in the Beyond system have recycled content. Environmental Data Sheets are available for Beyond's various setups and provide details about the material types and recycled content. Beyond's wood components are also available as FSC Certified.

*Construction and Demolition Waste Management:* Allsteel's Beyond demountable walls product packaging can be recycled with other on-site wastes or off-site, depending on project preference.

## Indoor Environmental Quality

*Low-Emitting Materials:* Many of the materials used in Beyond are non-emitting, including glass, aluminum, steel, and other hardware. These components do not off-gas into the workplace and do not require repainting or refinishing that could release VOCs (Volatile Organic Compounds). Beyond's components have been tested for emissions and are certified for indoor air quality through the SCS Global Services Indoor Advantage™ Gold program. Beyond also meets the CDPH v1.1-2010 emissions criteria.

*Indoor Air Quality Assessment:* Beyond may indirectly support this credit. Beyond uses components that are non-emitting and do not require any on-site finishing or touch-ups, meaning that indoor air quality will not be impacted by the installation of Beyond.

*Interior Lighting:* Beyond can be specified with a variety of finishes, many of which are lighter in color and may contribute to the Light Reflectance Values (LRV) needed to achieve strategy E of this credit.

*Daylight:* Beyond's glass walls allow more natural light into a space, which may support this credit.

*Quality Views:* Beyond's glass walls may provide occupants with access to views outside. Being able to access views to the outdoors has productivity benefits and may increase workplace satisfaction.

*Acoustic Performance:* Beyond has been tested for acoustic performance and may contribute to this credit, depending on the other materials selected for the interior spaces.

## WELL Project Contributions

Beyond demountable walls can support WELL projects by contributing to several features within WELL V1.

*Air 04: VOC Reduction:* Good indoor air quality has been linked to improved productivity in office spaces. Allsteel's Beyond is SCS Indoor Advantage™ Gold certified and meets the referenced criteria in the WELL Building Standard (ANSI/BIFMA e3-2011 7.6.1 and 7.6.2).



*Light 53: Visual Lighting Design:* Balancing spatial brightness across a variety of spaces can contribute to sharper visual acuity and focus, while potentially reducing eye strain. Beyond's glass walls allow light to flow more deeply into the space than drywall and may help project teams with light balance from room to room.

*Light 59: Surface Design:* Exposure to light during the workday can promote alertness and activity. Choosing surfaces with high Light Reflectance Values (LRVs) can help increase the amount of light in a space without increasing unwanted glare. Allsteel's portfolio of paints, laminate, and veneer finishes include many options with an LRV of 0.5 or higher, contributing to this feature.

*Light 61: Right to Light:* Beyond's glass walls can increase access to views by employees if the building has sufficient vision glazing to allow views from the required areas. Offices and taller features placed in the interior of the space maximize view opportunities.

*Comfort 78: Reverberation Time:* Acoustic comfort in the office is crucial to productivity. Allsteel's Beyond may contribute to the acoustic requirements of this feature. Additional considerations should be made with the other elements of the space, like flooring, ceiling materials, and furnishings, which may also impact this feature.

*Comfort 80: Sound Reducing Surfaces:* Reducing sound in an office can contribute to more comfortable levels throughout the space. While Beyond's walls are primarily made of glass which may not have a high NRC, additional elements, like acoustic privacy tiles, can be added that may improve the acoustics within a space.

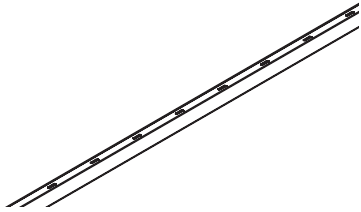
*Comfort 81: Sound Barriers:* Noise from adjacent spaces can be disruptive in a work environment. Sealing gaps between walls and adding thresholds for doors may help reduce noise between rooms.

*Mind 87: Beauty and Design, Part 1: Occupants' moods and morale can be impacted by the design of their workspace. Integrating aesthetically pleasing elements into a space can provide a calming or joyful experience. Allsteel's Beyond demountable walls can be customized to create room layouts that capture and enhance their organizational culture and contribute to this feature.*

*Mind 88: Biophilia I Qualitative:* Research has shown that humans with a connection to nature generally experience a stronger state of well-being, and biophilic elements can help reduce stress, while improving learning, healing, and worker productivity. Allsteel's Beyond walls are available with upholstery options and finishes that incorporate nature's patterns. Elements like natural wood veneer and wool upholstery can help contribute to a biophilic space.

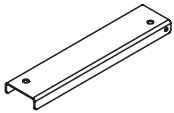
OVERVIEW  
TABLE OF CONTENTS  
NEW, REVISED, AND DISCONTINUED  
MATERIALS AND FINISHES  
WARRANTY  
POLICIES AND PRODUCT CARE  
DEFINITIONS AND ACRONYMS  
SUSTAINABILITY  
STATEMENT OF LINE  
SITE REVIEW

## Ceiling Channel

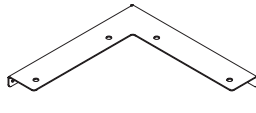


Ceiling Channel

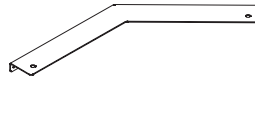
## Ceiling Channel Splice Kits



Straight



Two-Way



135-Degree

## Ceiling Channel Mounting Clips



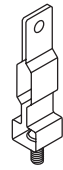
$\frac{1}{16}$  T-Bar Clip



$\frac{1}{16}$  T-Bar Clip

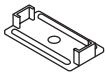


T Bolt



$\frac{1}{16}$  Fineline Clip

## Tegular Spacer



Tegular Spacer

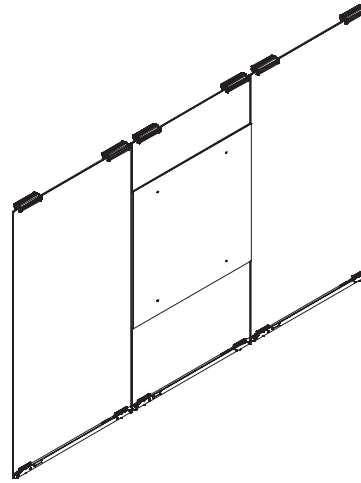
Note: smaller components such as mounting clips and splice kits are enlarged to show detail

## Frameless Glass

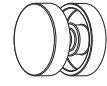


No Perforations

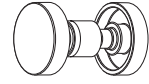
## Frameless Privacy Tiles Button Mount



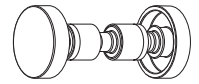
Button Mount



Distraction Marker

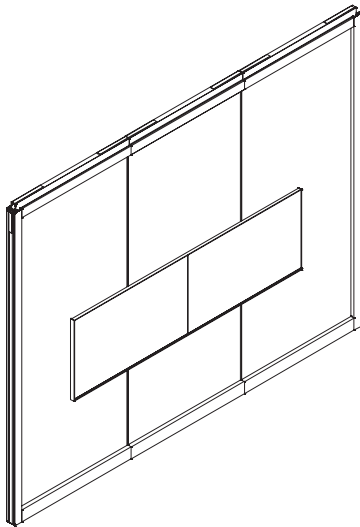


Button for Single-sided

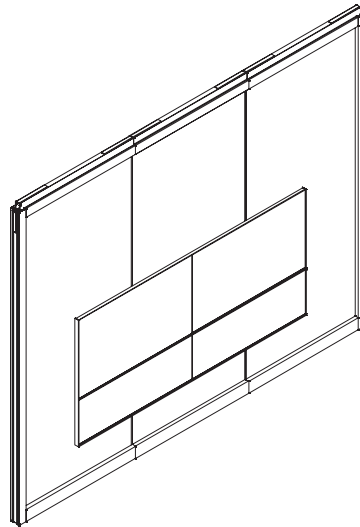


Button for Double-sided

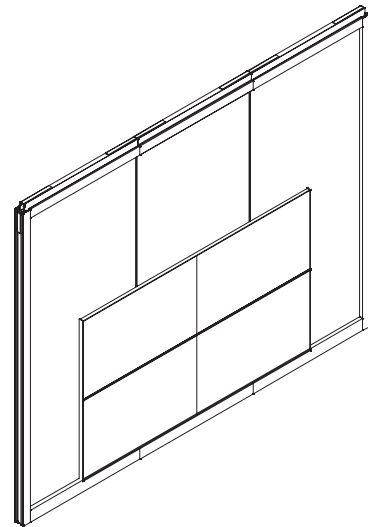
## Rail Mount



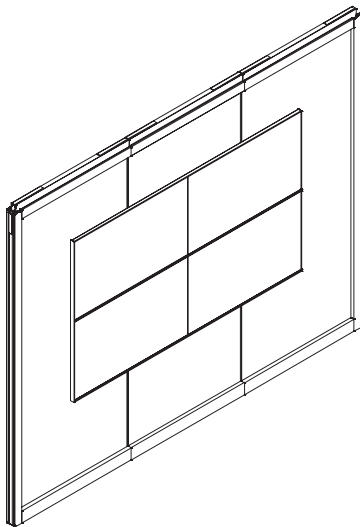
Single



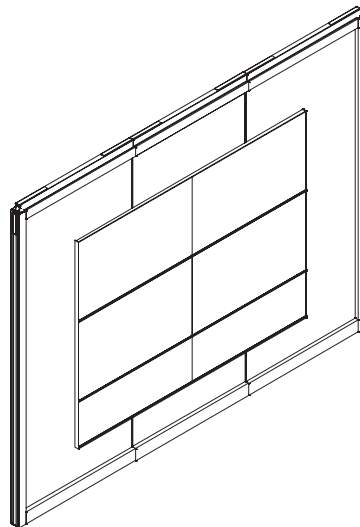
Single with Modesty



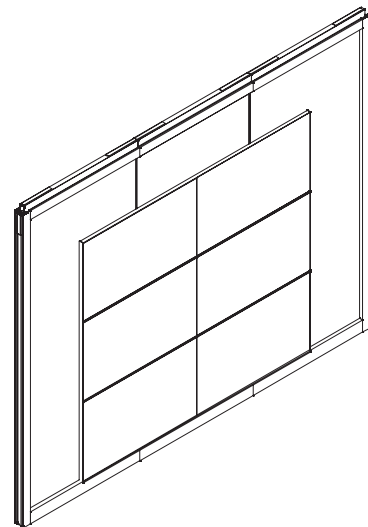
Double to the Base



Double Floating



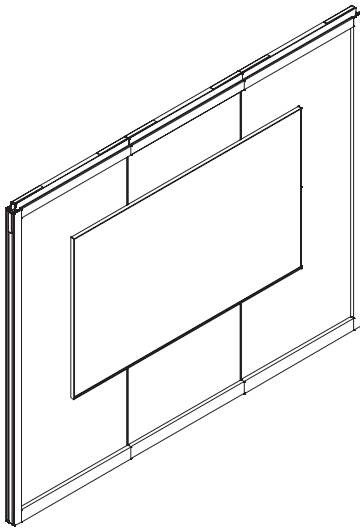
Double with Modesty



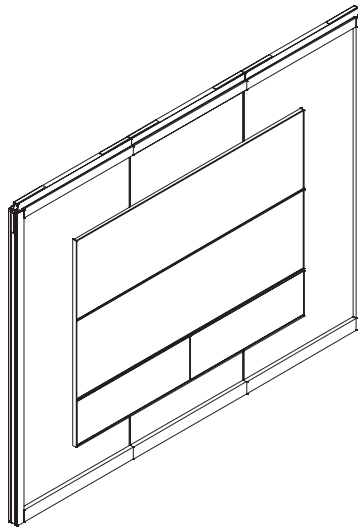
Triple to the Base

Note: All configurations of rail mount above are shown in a two-panel module.

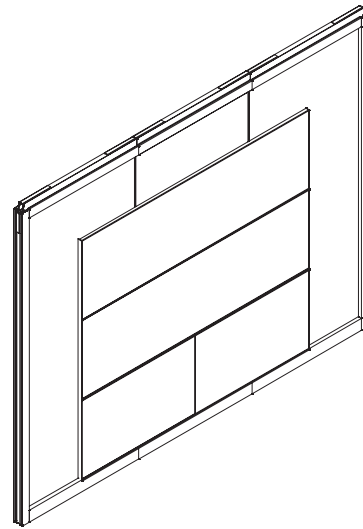
## Rail Mount



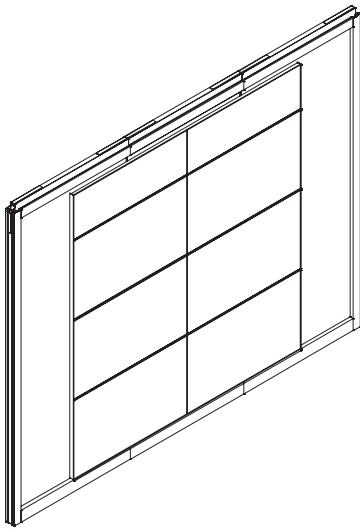
Marker Board



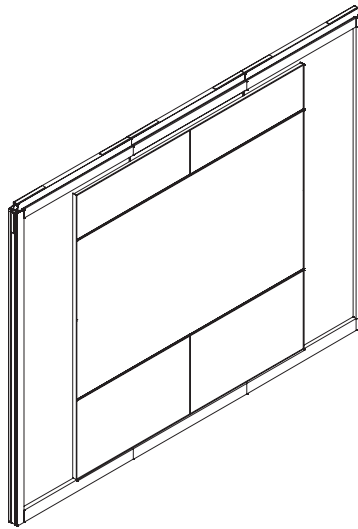
Marker Board with Modesty



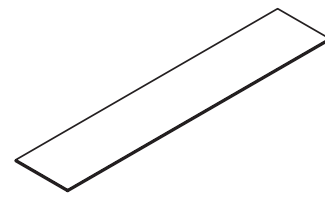
Triple to the Base  
with Marker Board



TV Mount Height\*



TV Mount Height\*  
with Marker Board on reverse side



Privacy Tile Shelf

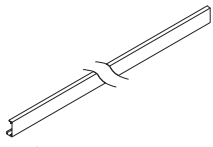
\*TV Mount Height configurations require additional components and coordination to support technology integration.

Note: All configurations of rail mount above are shown in a two-panel module.

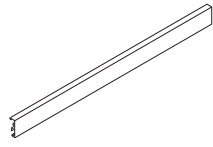
# Frameless Panels

Beyond® — Statement of Line

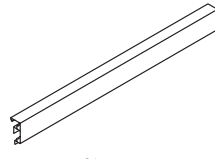
## Frameless Trim



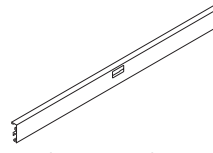
Ceiling Trim



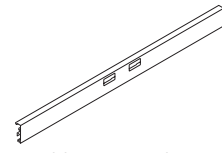
Base Trim



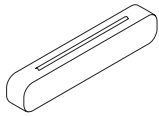
Low-Profile Base Trim



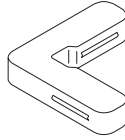
Single Receptacle



Double Receptacle



Straight Key

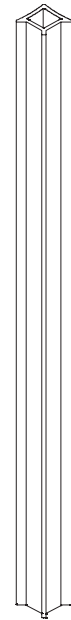


Corner Key

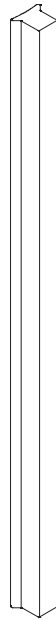
## Frameless Vertical Fillers



Straight



Two-Way



Three-Way



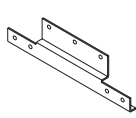
Four-Way\*\*



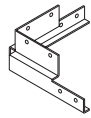
135-Degree

\*\*Clear Polycarbonate only

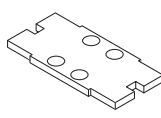
## Frameless Seismic Anchors



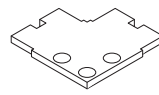
Top - Straight



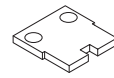
Top - Two-way



Bottom - Straight



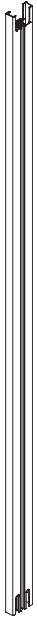
Bottom - Two-Way



Bottom - Finished End

Smaller components such as trim key and seismic anchors enlarged to show detail

## Frameless Adapters



Swing Door Frame-to-Frameless Adapter



Sliding Door Frame/Post/Solid Wall-to-Frameless Adapter

## Frameless Wall Channel



Frameless Wall Channel

## Frameless Finished End



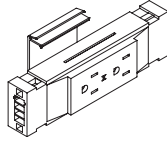
Frameless Finished End

## Window Sill U-Channel

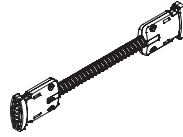




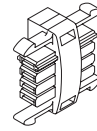
4-wire Infeed



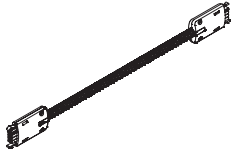
4-Wire Duplex Receptacle



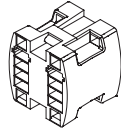
4-Wire Jumper



0"W Jumper

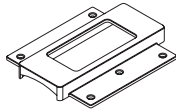
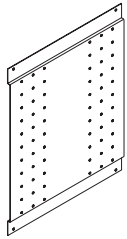


4-Wire Male-to-Male Jumper

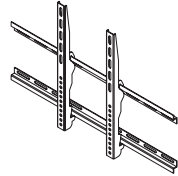


4-Wire H-Connector

## TV-Mounting - For Rail-Mounted Privacy Tiles



TV-Mounting Plate and Grommet

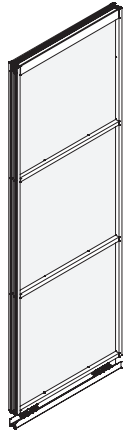


TV-Mounting Bracket

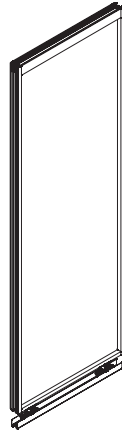
## Framed Glass Panels



Monolithic

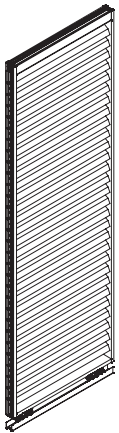


Segmented



With Modular Electrical Base

## Framed Wood Infill Panels



Wood Infill

## Solid Panels



Monolithic



Segmented



Segmented with Framed Glass



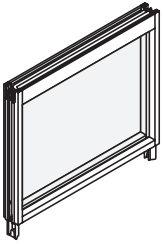
With Modular Electrical Base



With Hardwired Outlet

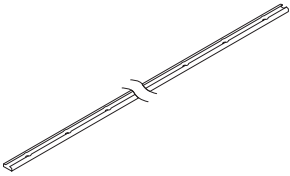


## Framed Glass Stacker



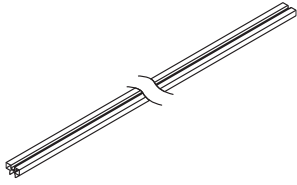
Glass Stacker

## Framed / Solid Seismic Anchors

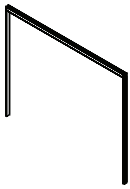


Floor Anchor

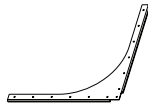
## Freestanding Cornice



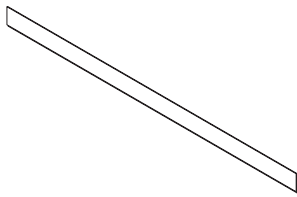
## Freeway



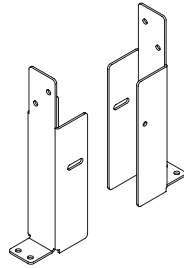
## Boomerang Bracket (D)



## Suspended Ceiling



Flush-Mounted Trim

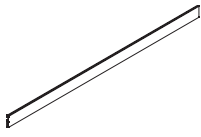


Mounting Brackets

# Framed/Solid Panels

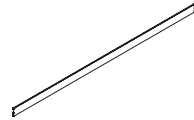
Beyond® — Statement of Line

## Framed/Solid Base Trim

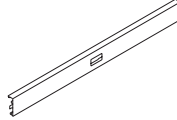


Base Trim

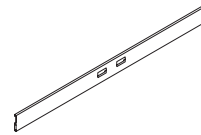
## Framed/Solid Modular Electrical Base Trim



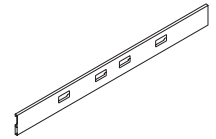
No Ports



Single Receptacle Port



Double Receptacle Ports



Double Receptacle Ports with Double Data Ports

## Framed/Solid Wall Channels



Framed and Solid - Small



Framed and Solid - Large

## Framed/Solid Finished Ends



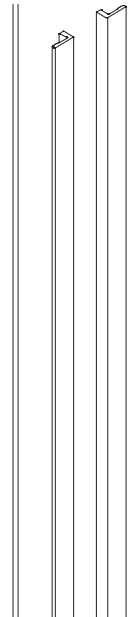
Uniform Finished End



Uniform Finished End with Stride Connection



Uniform Finished End - Stacking Post



Narrow Finished End (Viz)

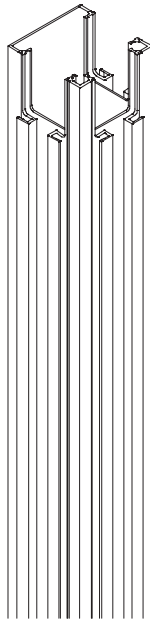
## Posts



Straight



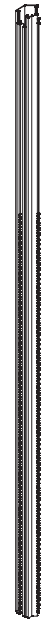
Two-Way



Three-Way



Four-Way



135-Degree

## Stacking Posts



Straight



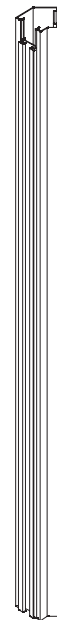
Two-Way



Three-Way



Four-Way



135-Degree

## Posts with Access Trim



Straight



Two-Way, Left Hand

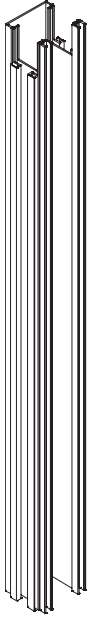


Two-Way, Right Hand

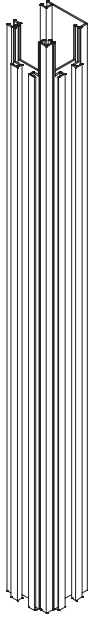


Three-Way

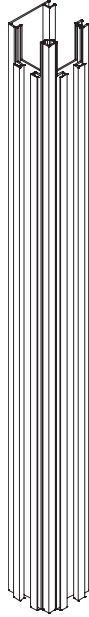
## Stacking Posts with Access Trim



Straight



Two-Way, Left Hand



Two-Way, Right Hand



Three-Way

## Zippers



Zipper

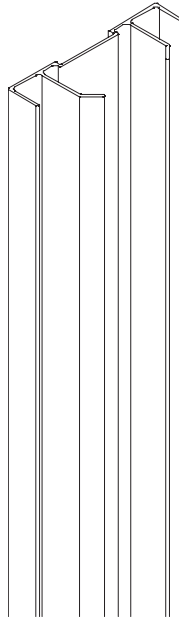


Adjustable Angle Zipper

## Zipper-Based Connector

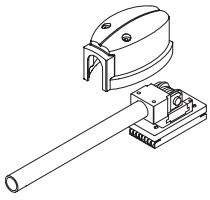


## Framed / Solid Building Obstruction Connections



Framed / Solid Windowsill U-Channel

## In-Feed Cables

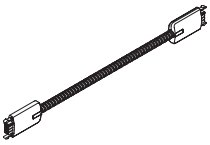


Base In-Feed



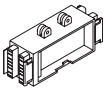
Ceiling In-Feed

## Jumper Cables

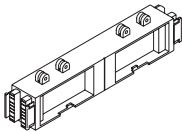


Jumper

## Power Blocks



Single

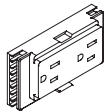


Double

## Duplex Receptacles

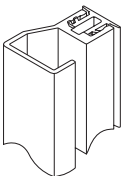


Duplex Receptacle



Controlled Circuit Receptacle

## Wire Manager



Wire Manager

OVERVIEW  
TABLE OF CONTENTS  
NEW, REVISED, AND DISCONTINUED  
MATERIALS AND FINISHES  
WARRANTY  
POLICIES AND PRODUCT CARE  
DEFINITIONS AND ACRONYMS  
SUSTAINABILITY  
STATEMENT OF LINE  
SITE REVIEW

## Brackets and Hooks



Furniture Adapter Bracket

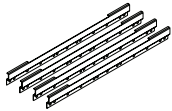


Coat Hook

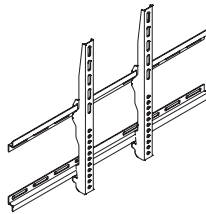


Accessory Hook

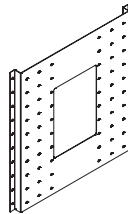
## TV Integration



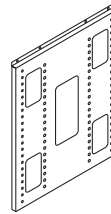
Flush-Mounted Bracket



TV-Mount Bracket



Variable-Height Mounting Bracket



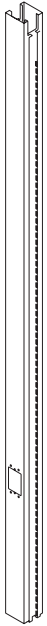
Integrated Mounting Rail Bracket

## Off-Modular Adapter

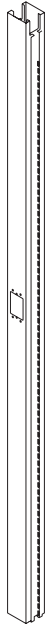




## Hardwired Electrical Ported In-Line Posts\*



18" AFF



42" AFF



18" AFF and  
42" AFF

## Beyond Door Frame to Drywall Wall Channel



Drywall / Adjacent Door

## Drywall End Caps

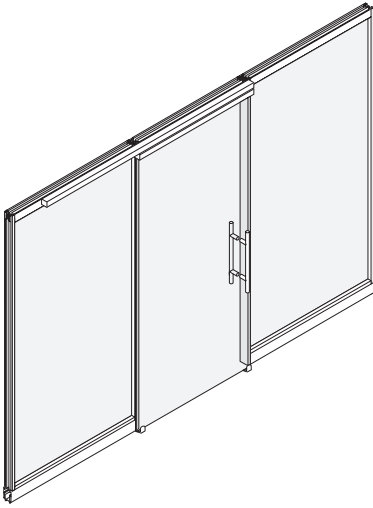


Two-Way

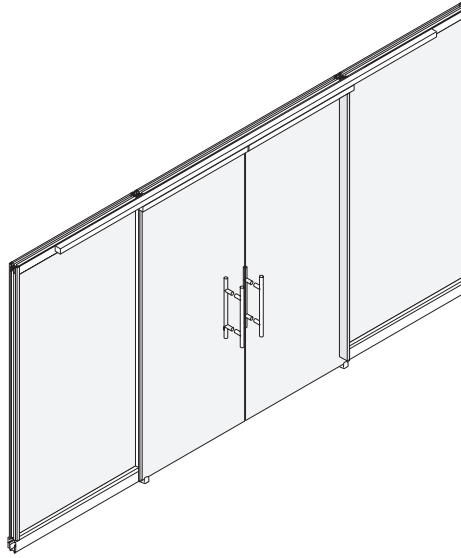


Three-Way

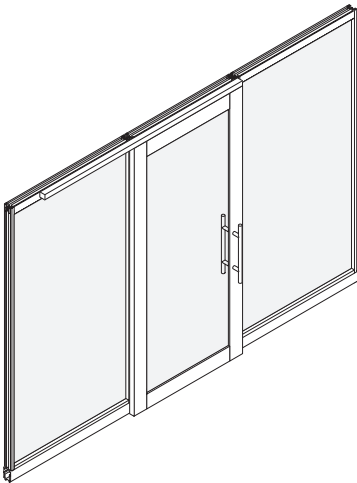
## Sliding Doors



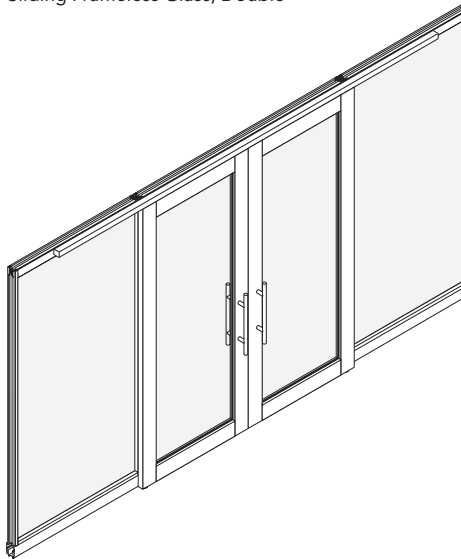
Sliding Frameless Glass, Single\*



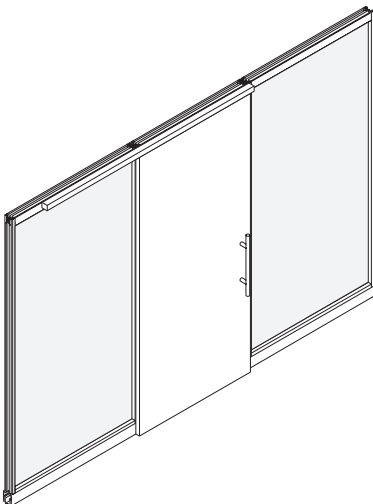
Sliding Frameless Glass, Double



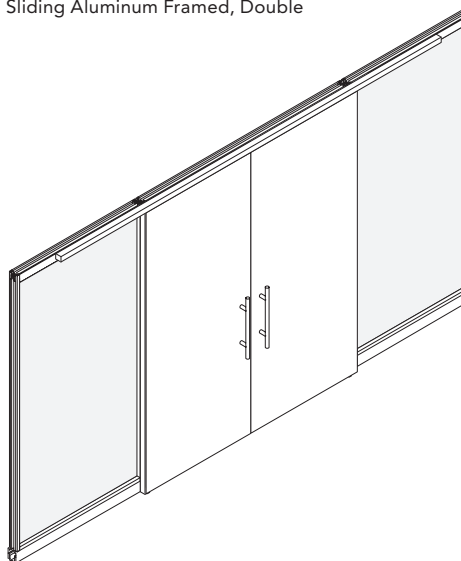
Sliding Aluminum Framed, Single\*\*



Sliding Aluminum Framed, Double



Sliding Solid, Single\*\*

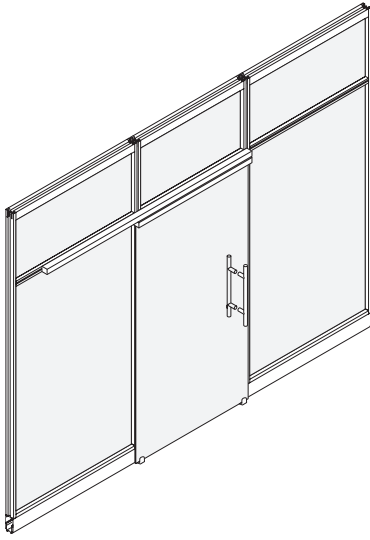


Sliding Solid, Double

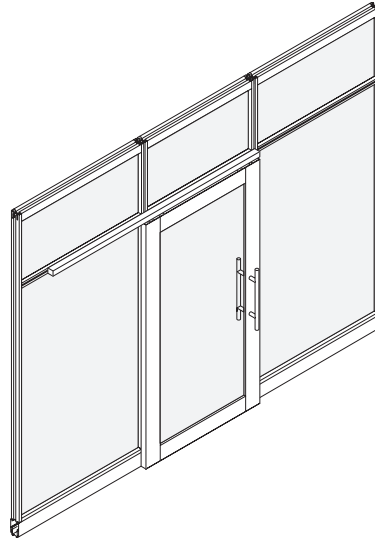
\*Full Strike and footer option available  
\*\*Full strike option available

## 7'H Sliding Doors with Transom

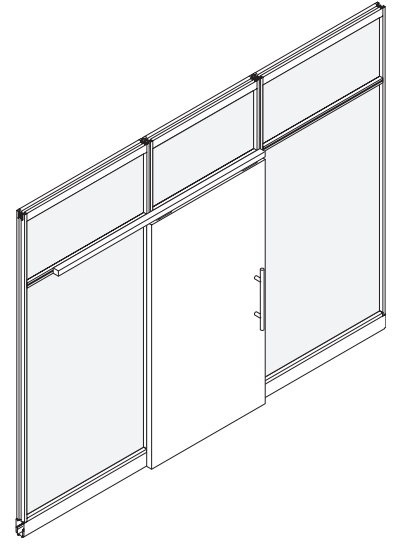
For Beyond Framed and Solid with integrated mounting rail only



7'H Sliding Frameless Glass, Single with Transom

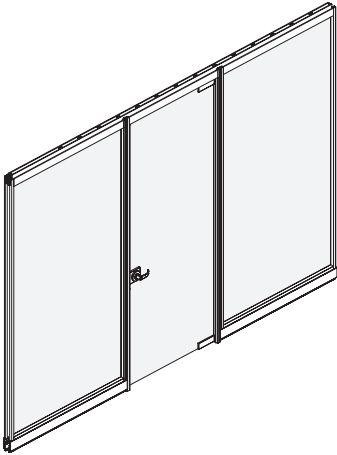


7'H Sliding Aluminum Framed, Single with Transom

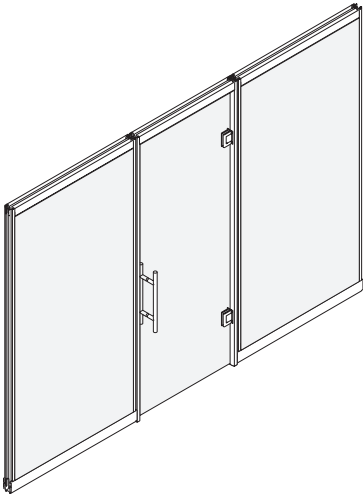


7'H Sliding Solid, Single with Transom

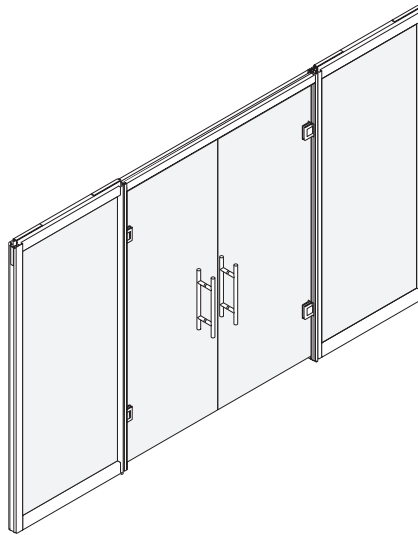
## Swing Doors



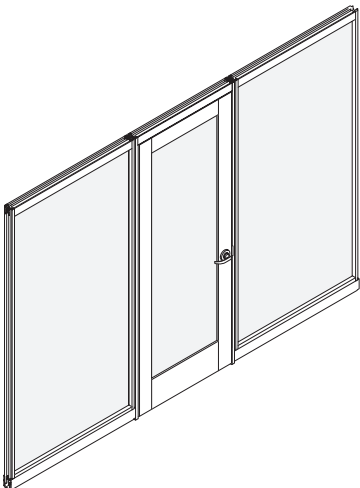
Frameless Center Swing Pivot, Single



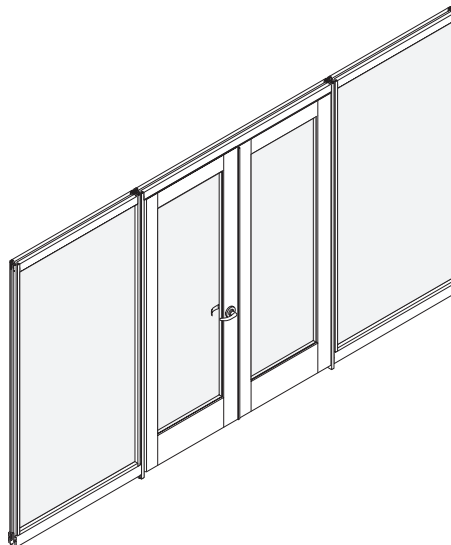
Frameless Hinged, Single



Frameless Hinged, Double



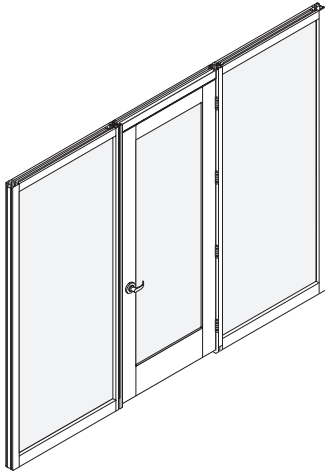
Aluminum Framed Center Swing Pivot, Single



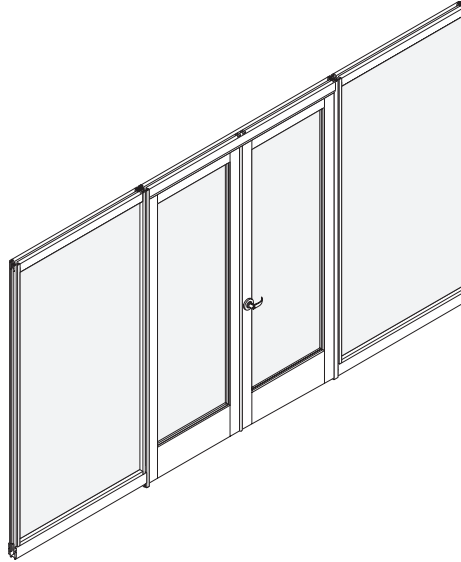
Aluminum Framed Center Swing Pivot, Double\*

*\*Right hand or left hand active*

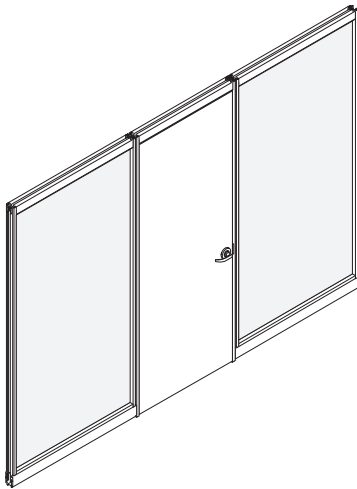
## Swing Doors – continued



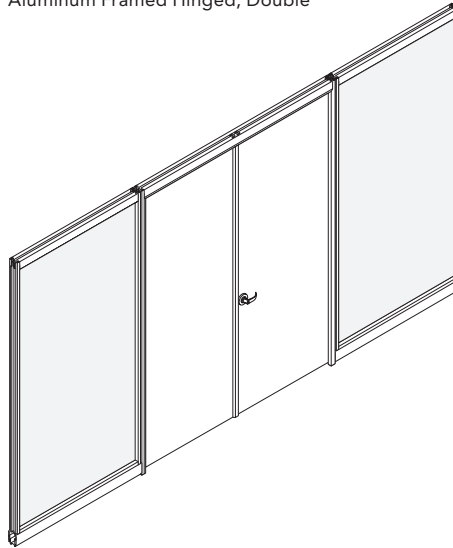
Aluminum Framed Hinged, Single



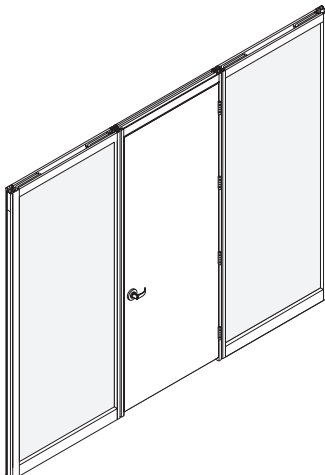
Aluminum Framed Hinged, Double\*



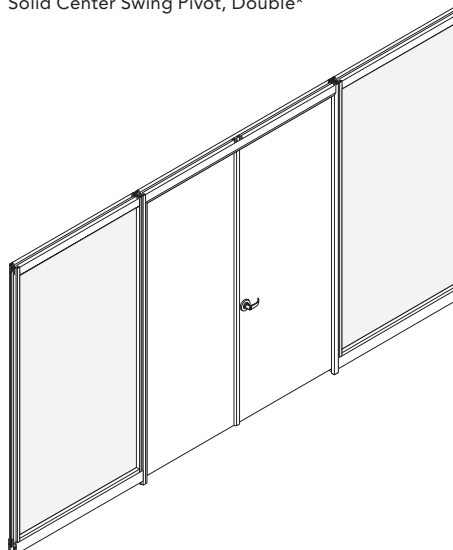
Solid Center Swing Pivot, Single



Solid Center Swing Pivot, Double\*



Solid Hinged, Single



Solid Hinged, Double\*

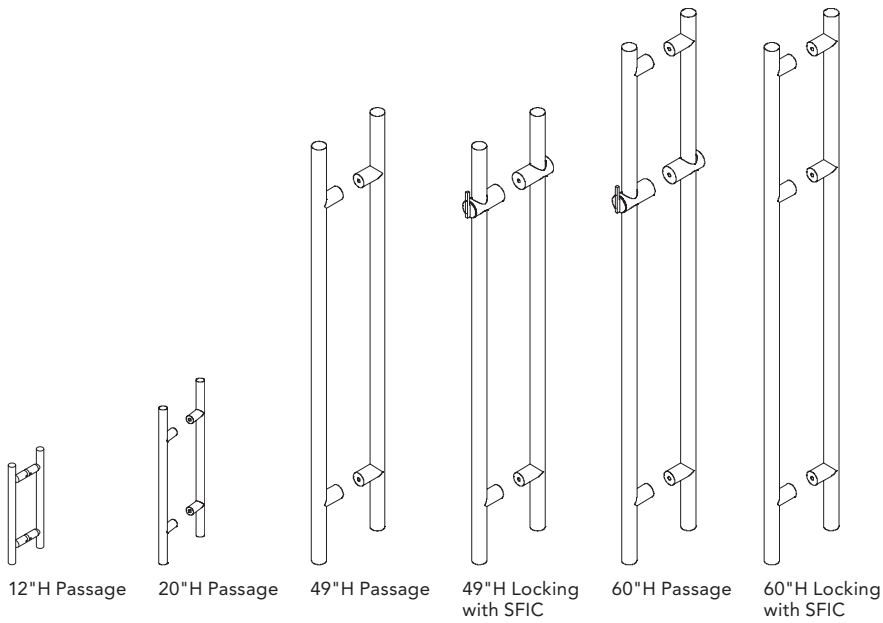
\*Right hand or left hand active

NEW, REVISED, AND DISCONTINUED  
MATERIALS AND FINISHES  
WARRANTY  
POLICIES AND PRODUCT CARE  
DEFINITIONS AND ACRONYMS  
SUSTAINABILITY  
STATEMENT OF LINE  
SITE REVIEW

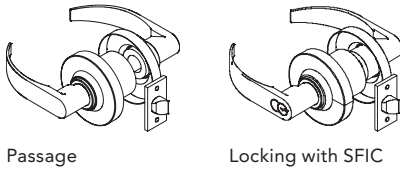
OVERVIEW

TABLE OF CONTENTS

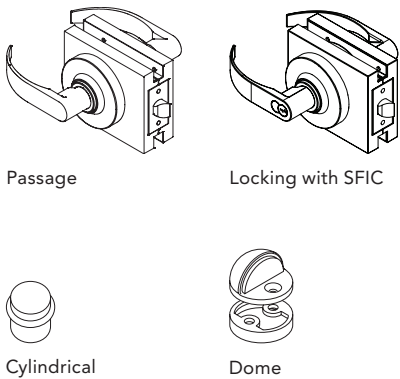
## Ladder Pulls



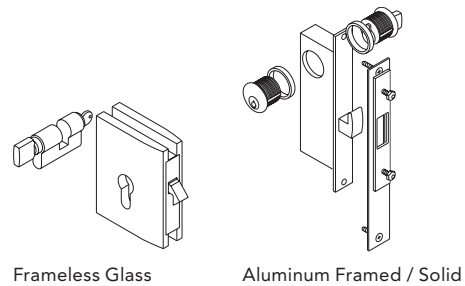
## Lever Sets



## Frameless Glass Lever sets



## Sliding Door Locks



## Review Delivery Requirements

### Offload Requirements

Determine if there are any delivery requirements or special delivery methods to be included in project cost.

Examples of questions to ask include:

- “Delivery to site or warehouse?”
- “Does the city allow 53' trucks to deliver to the site?”
- “Can a 53' truck access the planned offload area?”
- “Is there a loading dock?”

### Freight Elevator/Crane Requirement/Stair Carry

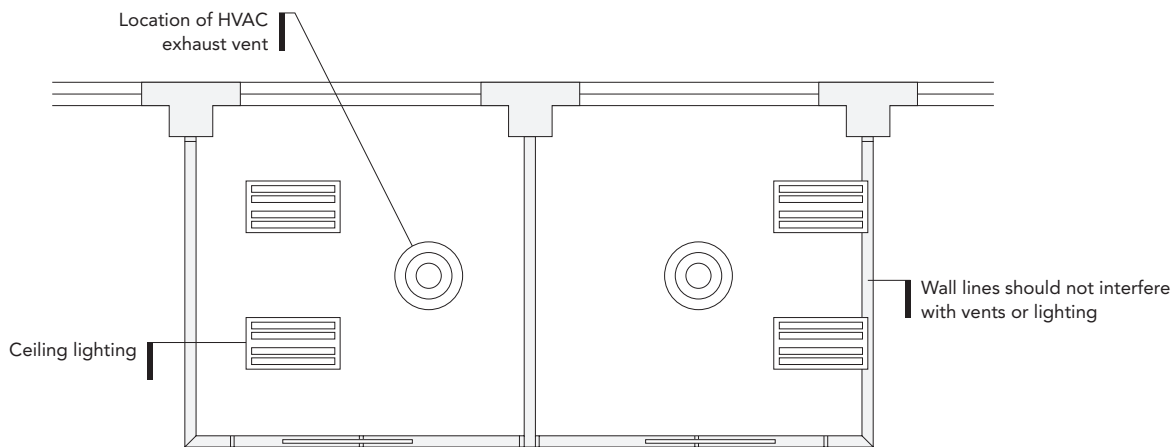
During the pre-order site visit, determine the most appropriate delivery path from offload location to product staging area. Make sure the paths are sized adequately to accommodate the component or skid size, according to the planned method. Fully dimension elevator to insure ability to transfer product and check for any elevator booking requirements or restricted hours of delivery.

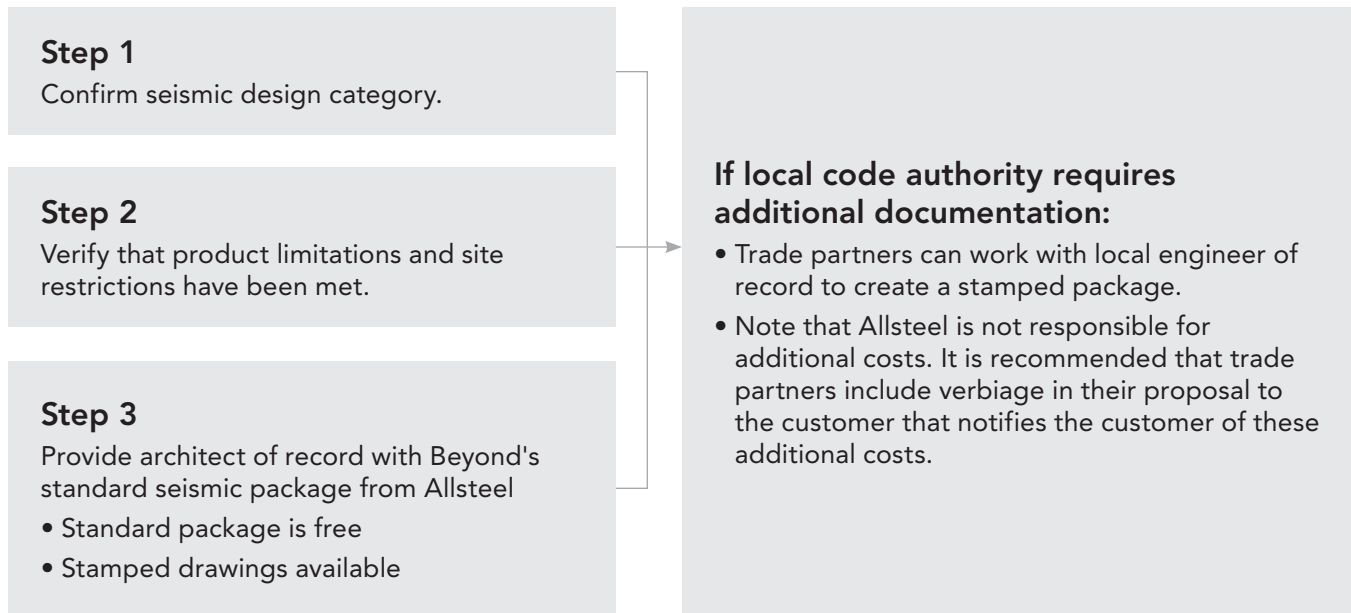
### Staging Install – Product Placement

Review the floorplate in the area of install and/or talk to building officials to determine the best staging areas and delivery routes for easy install. If security is an issue, the dealer partner or contracted installation company is responsible for providing a secure environment to house the Beyond product upon delivery until the project is complete; losses due to theft will be the responsibility of the dealer partner or contracted installation company.

### Key Recommendations

- As shown in the illustration below, please be aware of any obstacles in the ceiling, floor or horizontal connections. Examples of potential obstacles to be aware of are lighting, HVAC and sprinkler heads.
- Since the product will produce noise to install, please understand from the client any activity restrictions.
- If available, review floor finish type and transitions. For example, VCT location in relationship to carpet.





The project architect is ultimately responsible for code compliance including seismic requirements.

Allsteel has created guidelines regarding the sale and installation of Beyond in seismic zones. Before selling Beyond in a seismic zone, it's important to know which seismic zone the project is in as well as the building category. Beyond has been evaluated for seismic design categories C-F through a third-party engineering firm, where glass deflection was tested. Product installation is restricted to seismic risk categories I, II and III. Please consult the project architect for more details.

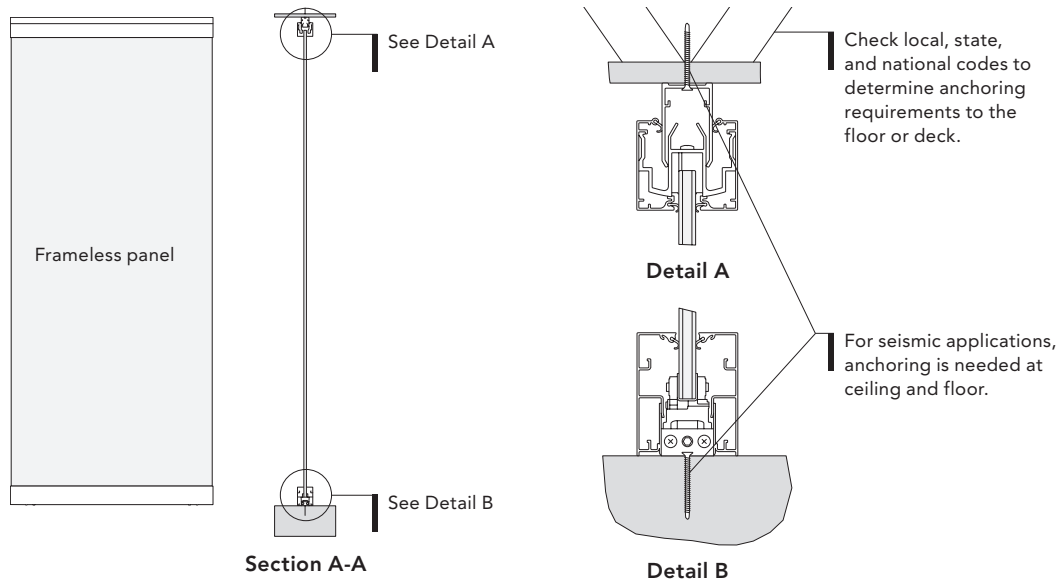
Please contact your Allsteel PM or Wall BDM with further questions.



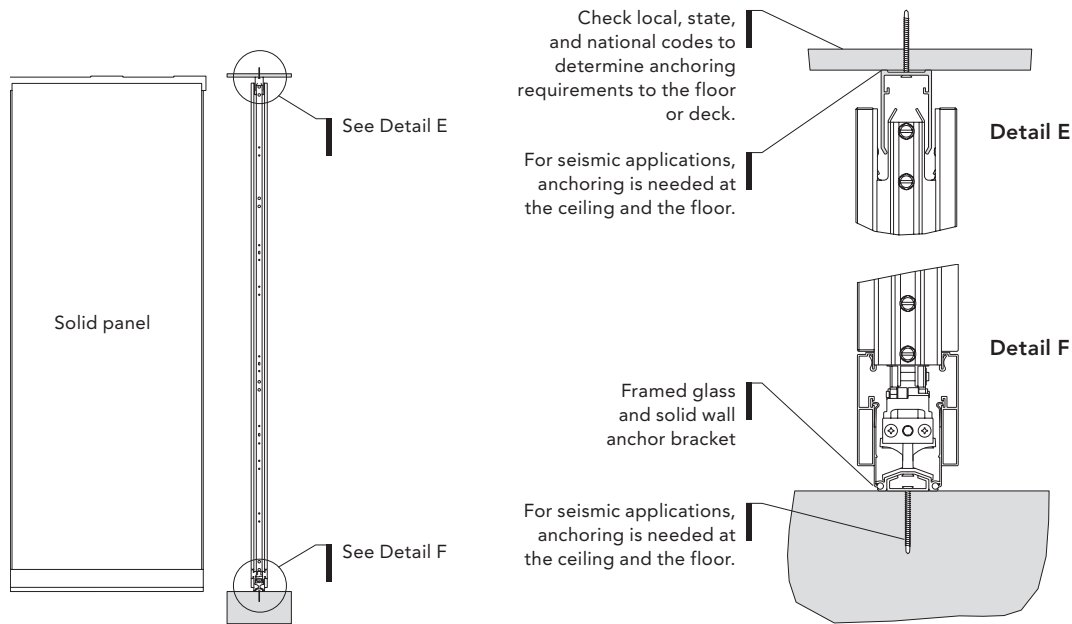
## Anchoring

Beyond must be anchored to the floor and ceiling in seismic areas C-F.

### Frameless Panels - Anchoring to Floor and Ceiling:



### Framed and Solid Panels - Anchoring to Floor and Ceiling:



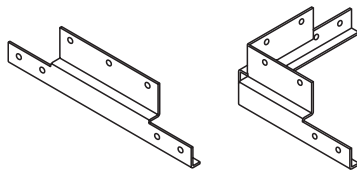
For additional information regarding seismic bracing, please contact your Allsteel PM.

SEISMIC ZONES  
CEILING CONNECTION & FREESTANDING  
PANEL LEVELING  
FRAMELESS  
FRAMED AND SOLID  
DOORS  
CABANA  
VIZ  
NEW, REVISED, AND DISCONTINUED  
APPENDIX

## Anchoring

Top and floor anchors are used when required by code or when seismic bracing is needed. In seismic zones C-F, Beyond frameless panels must be anchored to the floor and ceiling. Floor anchors are required on framed and solid panels. Straight top anchors are also used next to doors on frameless wall applications only and are included with the door frame.

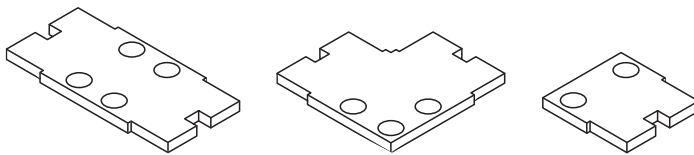
### Frameless Top Anchors



Straight

Two-Way

### Frameless Floor Anchors



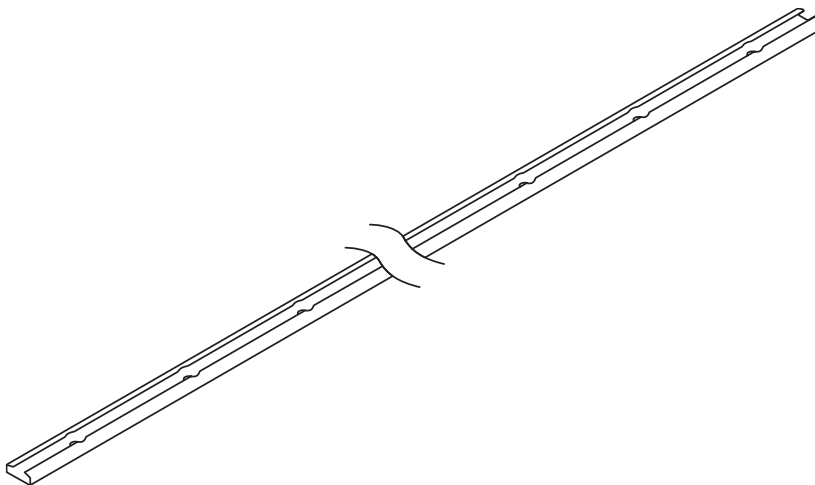
Straight

Two-Way

Finished End

- Specify QTY (1) floor anchor for every 8 linear feet of walls, not including door linear feet.
- Floor anchors interconnect with the base channel.

### Framed/Solid Floor Anchor



## Product Limitations

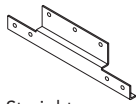
Beyond frameless glass walls are seismic qualified up to 114" with no restrictions. For heights above 114", the maximum glass run before requiring additional vertical supports is 126". Vertical supports include wall channels and frameless adapters.

Beyond framed and solid walls are seismic qualified up to 10 feet. Seismic qualification reports with details on required anchorages can be provided upon request.

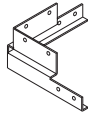
# Anchoring

Beyond® — Seismic Anchor

## Top Anchors

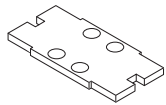


Straight

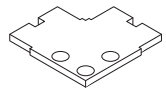


Two-Way

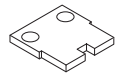
## Floor Anchors



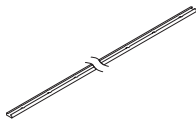
Straight



Two-Way



Finished End



Full View

Base Model	Description	Specification
<b>BY-FGANCHOR</b>	Frameless Seismic Anchor	<b>BY-FGANCHOR</b>

Option	Specification Description	Specification
<b>Anchor Type</b>	Top Anchor - Straight	<b>AS</b>
	Top Anchor - Two-Way	<b>AT</b>
	Floor Anchor - Straight	<b>FS</b>
	Floor Anchor - Two-Way	<b>FT</b>
	Floor Anchor - Finished End	<b>FE</b>

Specification Example: **BY-FGANCHOR.AS**

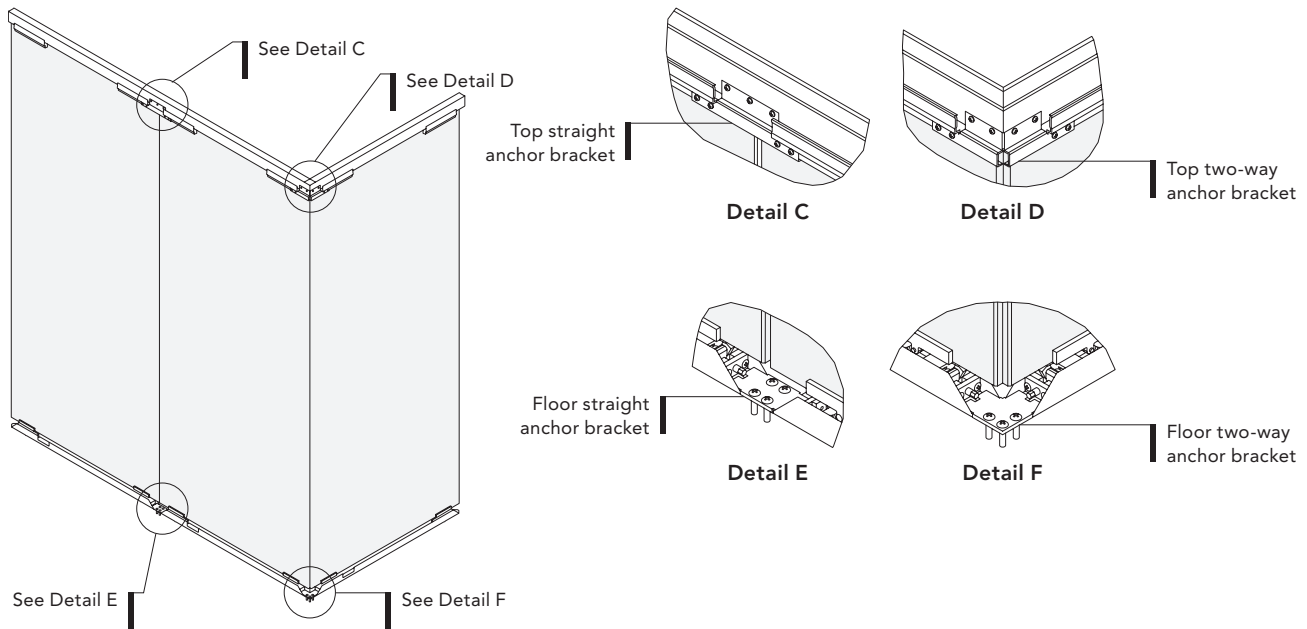
Base Model	Description	Specification
<b>BY-FSANCHOR</b>	Framed/Solid Seismic Anchor	<b>BY-FSANCHOR</b>

Specification Example: **BY-FSANCHOR**

## Frameless

### Top and Floor Anchors

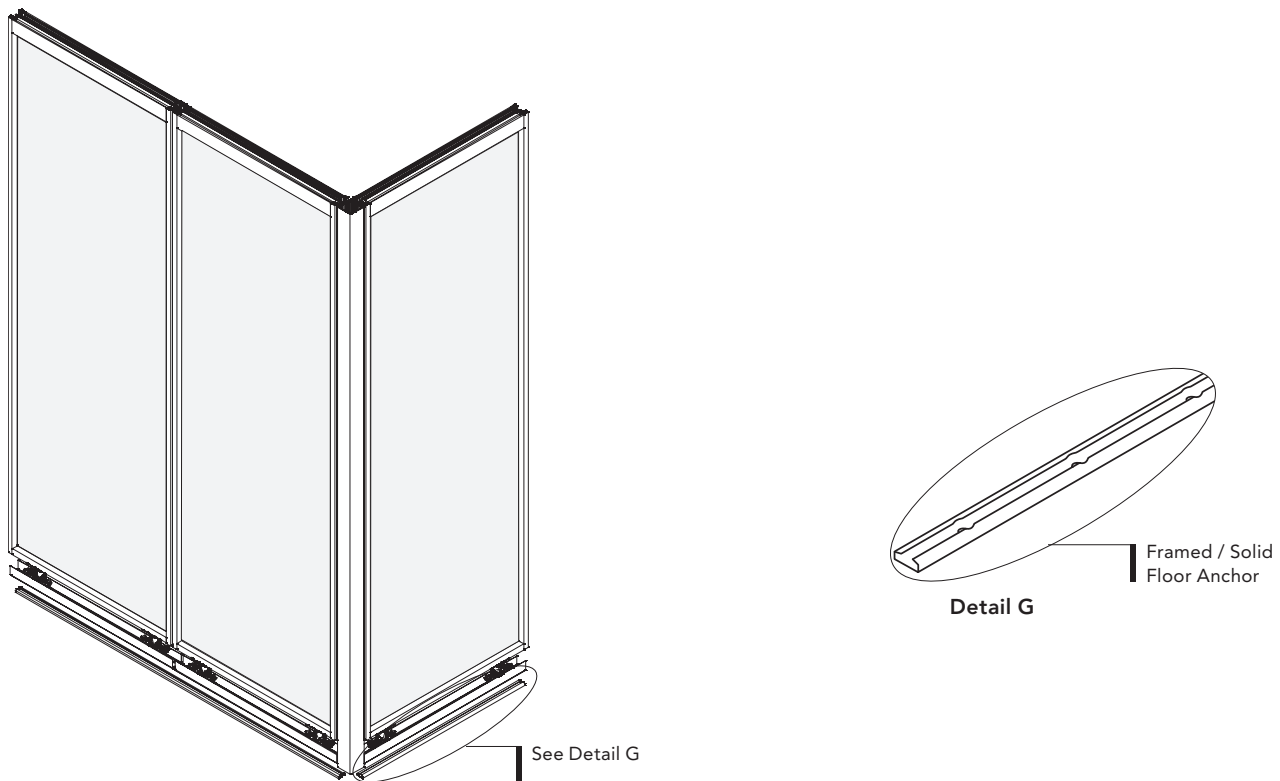
Details below demonstrate how anchor brackets connect to frameless panels:



## Framed and Solid

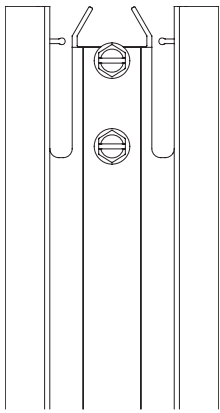
### Floor Anchors

Details below demonstrate how anchor brackets connect into the floor:

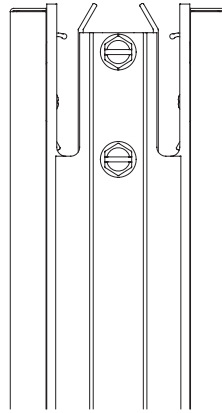


## Enhanced Acoustics

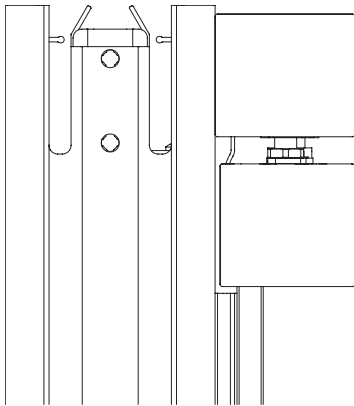
- Enhanced acoustical upgrades are now available. Ceiling grid clamp down clips are now included with every order of ceiling grid clips, all electrical and data ported trim for framed and solid panels comes with enhanced gasketing, and standard upgrades are included with every order at no extra cost. Enhanced options can be specified for framed and solid panels and all sliding doors.
- Standard Option
  - Includes a modification to the panel frame assembly for tighter acoustic seal.
- Enhanced Option
  - Modification to top horizontal of unitized framed panel to minimize reverberation with ceiling channel.
  - Modification to allow for track and bottom seals on all sliding door types.
  - Retrofit kits available to add enhanced options Day 2 for framed and solid panels and doors. Panels and doors must have been ordered after the launch of the acoustical enhancements to allow proper fit of retrofit kits.



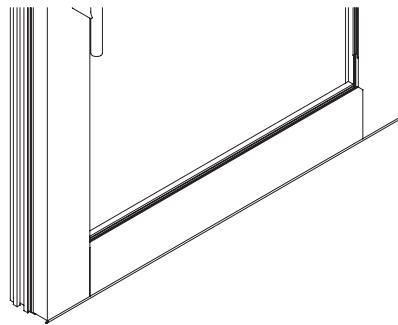
Framed Panel with Enhanced Acoustics



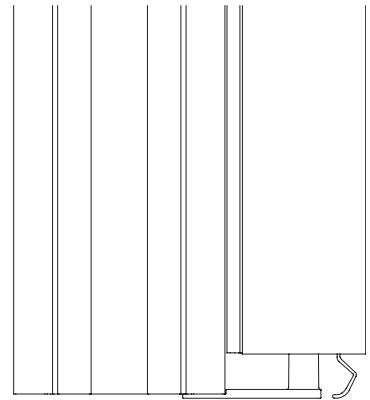
Solid Panel with Enhanced Acoustics



Sliding Door Track with Enhanced Acoustics



Aluminum Framed Door with Enhanced Acoustics

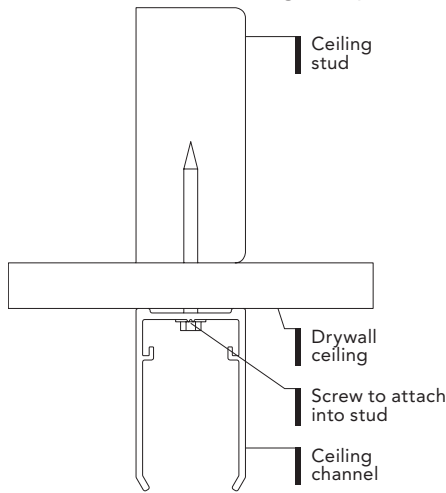


Solid Door with Enhanced Acoustics

Determine ceiling type Beyond is to be installed underneath.

## Through Drywall Ceiling into Ceiling Stud

No additional mounting components required

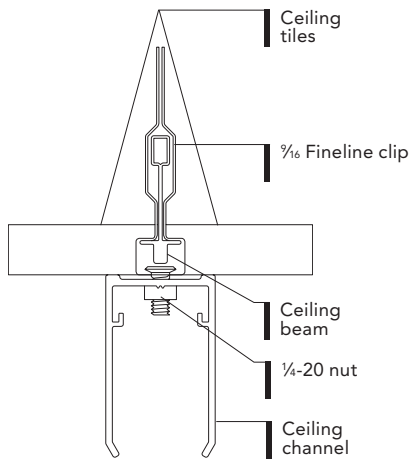


## Under Ceiling Grid

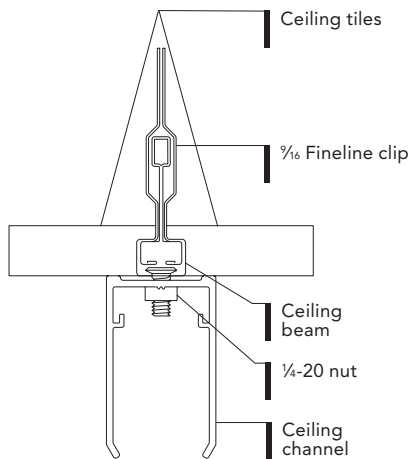
### Determine Grid Type

Additional mounting components required

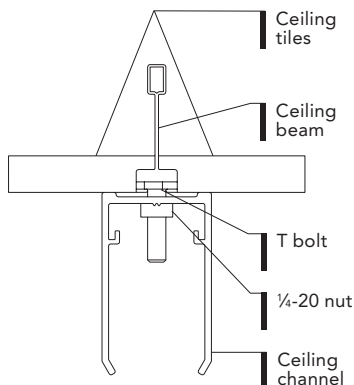
Interlude® 1/16" Tee



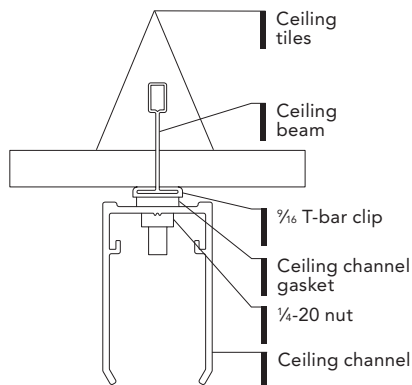
1/8" Reveal - 1/16" Slotted Tee



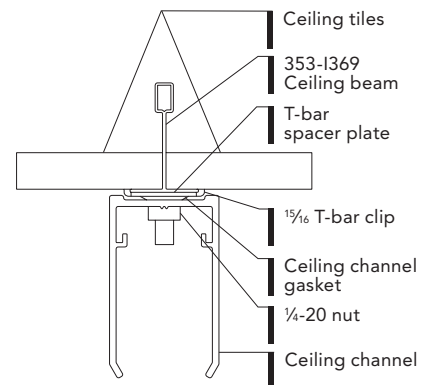
1/4" Reveal - 1/16" Slotted Tee



1/16" T Beam



1 5/16" T Beam

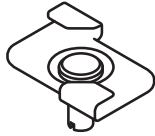


## Ceiling Grid Mounting Clips

- Ceiling grid mounting clips are required to install Beyond under ceiling grid. Clips attach ceiling channel to grid. Multiple clip types are available to fit the most common grid types. Mounting clips are non-defacing.
- National, state and/or local codes will dictate proper connection methods based on building conditions and location. Please consult with the local building inspector and/or architectural firm prior to installation of ceiling channel.
- Specify 5 clips per 10 linear feet.
- Available in quantities of 10 or 100.
  - For 40 or less clips, specify 10 packs.
  - For 41 to 100 clips, specify 100 pack.
- If the ceiling is not stable, reinforcement may be necessary through the use of suitable materials above the ceiling grid system or the drywall soffit ceiling. This reinforcement work is not included in Allsteel's scope.
- Ceiling clips are not utilized in seismic zones.



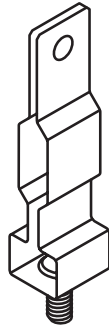
3/16 T-Bar Clip



1/8 T-Bar Clip



T Bolt



1/8 Finline Clip

- Enhanced Acoustics
  - Every ceiling grid clip now comes with ceiling grid clamp down clips.



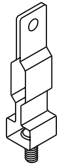
1/8 T-Bar Clip



1 5/16 T-Bar Clip



T Bolt



1/8 Finline Clip

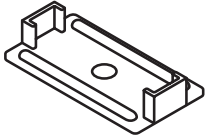
Base Model	Description	Specification
<b>BY-CCLIP</b>	Ceiling Grid Clip	<b>BY-CCLIP</b>
Option	Specification Description	Specification
Clip Type and Quantity	1/8 T-Bar Clip QTY 10 QTY 100	<b>916TBC</b> 10 100
	1 5/16 T-Bar Clip QTY 10 QTY 100	<b>1516TBC</b> 10 100
	T Bolt QTY 10 QTY 100	<b>TBOLT</b> 10 100
	1/8 Finline Clip QTY 10 QTY 100	<b>916FC</b> 10 100

Specification Example: **BY-CCLIP.916TBC10**

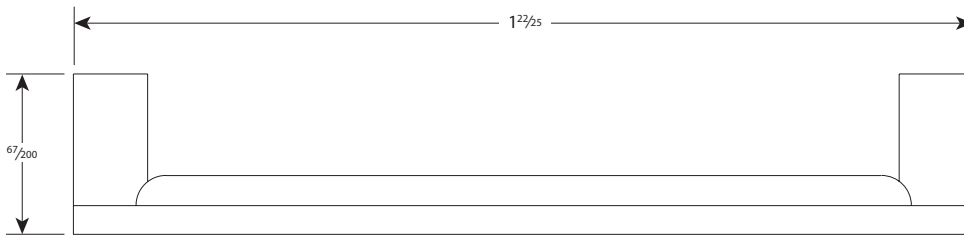


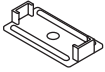
### Ceiling Grid Tegular Spacer

- Tegular spacers are specifically used where tiles drop below the surface of the grid. There are cases (as with the  $\frac{3}{16}$  fineline clip) where tegular tiles are used but they are flush with the surface of the grid so spacers are not needed.
- Specify 5 clips per 10 linear feet.
- Available in quantities of 10 or 100.
  - For 40 or less clips, specify 10 packs.
  - For 41 to 100 clips, specify 100 pack.



Tegular Spacer





Tegular Spacer

Base Model	Description	Specification
BY-CTEGSPACER	Ceiling Grid Tegular Spacer	BY-CTEGSPACER

Option	Specification Description	Specification
Quantity	Tegular Spacer	TSPACER
	QTY 10	10
	QTY 100	100

Specification Example: BY-CTEGSPACER.TSPACER10

Beyond Freestanding applications include framed, wood slat and solid applications of Beyond including Pavilion and Cabana. Beyond Freestanding applications have been enhanced with new components consisting of hidden internal bracketry, a new cornice and new posts. These new components allow for expanded applications. With unitized panel design, a hidden bracketry solution, and parametric customizable dimensions, these expanded applications no longer need Allsteel engineering review and allow for the creation of the largest single freestanding room.

Freeways can now be specified up to 18 ft and top anchors are no longer needed in seismic design categories C-F. There is also a new power pole option to shroud electrical conduit from above.

Allsteel can provide trade partners with a set of blanket calculations that can be provided to customers. These blanket calculations consist of dozens of modules that were analyzed by a third-party structural engineering firm. These modules can be combined to create hundreds of applications.

To determine seismic risk on your project, enter the project street address into this link: <https://hazards.atcouncil.org/>.

Our product was analyzed per IBC code 1607.15. It was evaluated for 5psf "Wind Load" (A-F) and Seismic Lateral Loading (C-F). One point of mention is that you need to consider this value –  $S_s$ . If this value is less than 230%, it means the project site is covered by Allsteel's blanket calculations. If the value is over 230%, it would require site specific analysis.

For project specification, designers should specify the height as they did previously but know that there will be an additional  $\frac{7}{8}$ " added to the top of the cornice. The dimension between the floor to top of cornice will be  $\frac{7}{8}$ " taller than nominal that is specified. This means you should communicate 13" as the minimum amount of space needed above the cornice for installation and sprinklers to account for the additional  $\frac{7}{8}$ " added to the new cornice.

Seismic post anchors are recommended in some applications in "non-seismic" zones (A-B).

Seismic anchors are required below panels and posts in seismic zones (C-F).

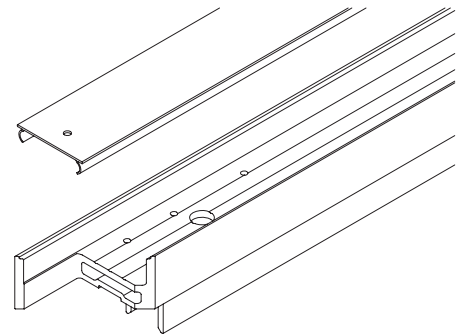
Site specific analysis can be taken on any applications that fall outside of Allsteel's blanket calculations, or if additional documentation is needed by the Engineer of Record in SDC C-F. Please contact your Allsteel PM for more information.

## General Specification Notes:

- All doors can now be used with this freestanding solution.
- Furniture hanging on solid panels is allowed
  - Slotted standards are only on solid panels
- Butt-jointed tiles can be specified but will increase steps in installation sequence, adding cost and time to the installation.
- Tiles to the floor can be specified but will also increase steps in installation sequence, adding cost and time to the installation.
- To remove a solid top tile or monolithic tile, the cornice must be removed first due to the z bracket attachment on the back of the tile.

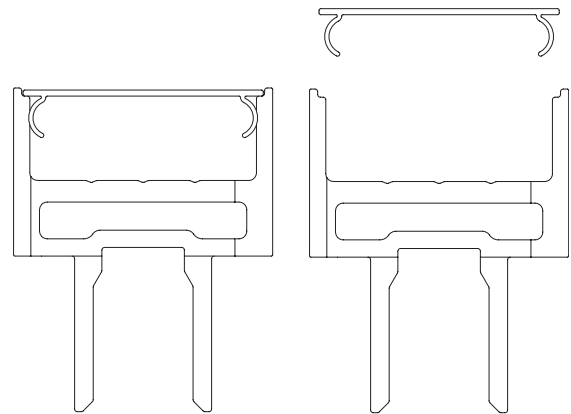
## Freestanding Cornice

- Beyond freestanding and pavilion applications come with a new cornice.
- New cornice is  $\frac{7}{8}$ " taller than the older when installed.
- New cornice is not backwards compatible with older freestanding applications.
- The freestanding cornice should be specified with snap-on trim to conceal all structural bracketry in cases where the freestanding application can be viewed from above. Cornice will default to without snap-on trim in CET.



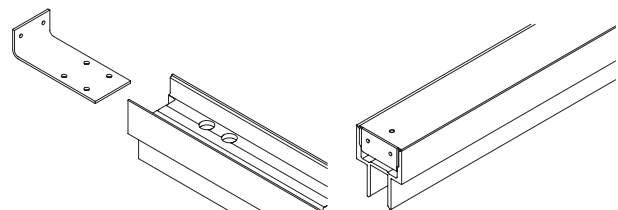
New Cornice + Optional Snap-On Trim

- To update a previously existing pavilion, the following components need to be replaced:
  - Freeways
  - Posts
  - Cornice
- The following components can be reused:
  - Panels
  - Doors / door frames / hardware
  - Zippers
  - Trim
- The new freestanding cornice is designed for use in a straight or 90-degree corner application. The cornice contains a LH and RH corner at each end. Overall length is 10ft.
  - Flat post brackets fit into the cornice profile and reinforce the main corner structure. Flat post brackets should be specified with the freestanding post models.
  - When a straight splice is required at cornice connection points, the cornice can be cut flat and mated to the adjacent cornice. Cutting off the pre-mitered end requires 3" of length removed.



New Cornice + Optional Snap-On Trim  
Without Building Interface

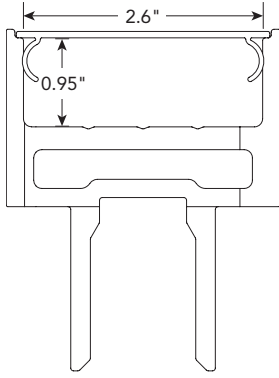
- Specify "with building interface" when the freestanding panels are connecting into adjacent building structure.
  - Contains 1 building interface bracket
  - 120" W
  - Any wall start can be utilized. The end of the cornice is notched to avoid interference beyond the panel verticals. The cornice will attach to the building directly, and the wall start is not considered structural.



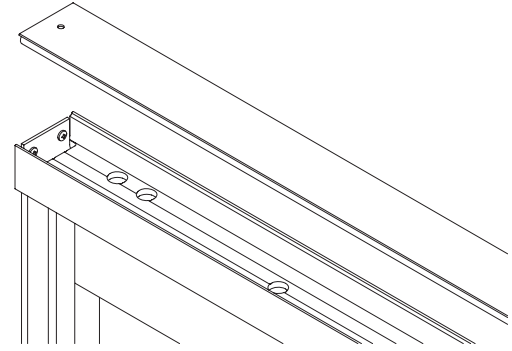
New Cornice + Optional Snap-On Trim  
With Building Interface

# Freestanding Applications

Working with Beyond®



Electrical Routing

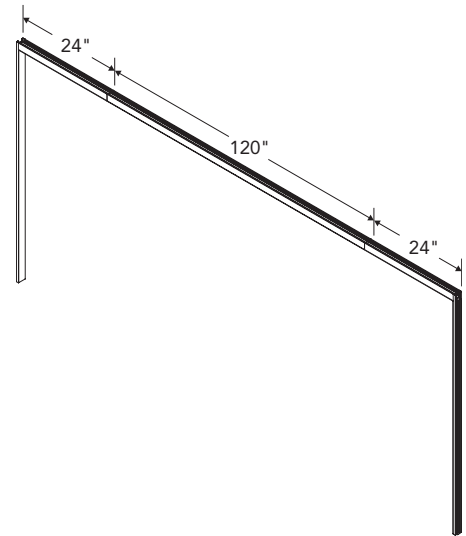


With Building Interface + Optional Snap-On Trim

- There is space for cables in general in the freestanding cornice. The recommendation is to stay within the available cross-sectional areas that could be capped by the cornice cap.

## Freestanding Freeway

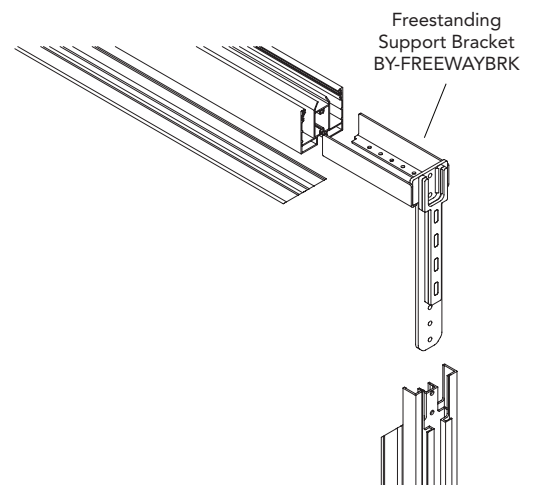
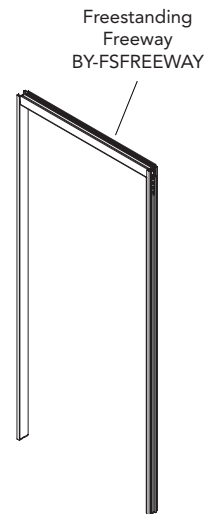
- Freeway models have been updated from a single piece vertical to vertical post with vertical trim on each side.
- Width is available up to 18ft wide in freestanding applications.
  - <120"W generates 1 horizontal piece.
  - 120"W up to 168"W generates 2 horizontals at 24" and 1 horizontal that varies in width.
  - Over 168"W generates 1 horizontal at 120"W and 2 horizontals that vary in width.
  - All parts will be cut and machined ready to assemble in the field.
  - Freeways longer than 120"W come with splice pieces.



# Freestanding Applications

Working with Beyond®

- Vertical components remain with excess length to cut to floor measurements in field.
- BY-FSFREEWAY – Freestanding Freeway – Freeway to be used in freestanding applications. Order with 0, 1 or 2 brackets.
  - Replaces BY-FREEWAY (will be de-emphasized)
- BY-FREEWAYBRK – Freestanding Support Bracket – to be specified with Freeways.
  - Required at any freeway corner that is directly adjacent to a freestanding structural post. Nearly all posts will be structural – exception is in-line application.
  - Brackets will not be supplied for freeway connections that do not land next to a freestanding structural post, and will cause interference if installed adjacent to a solid or framed panel.
  - Freeway tags will indicate where the freeway and bracket variants should go within floor plan.
- Freeways can still be specified under ceiling channel. If under ceiling channel, no brackets are needed. Another way to accomplish this detail is to specify finished ends.
- Bracket quantities are calculated as follows:
  - If the freeway is not connected to a structural post on either side, no brackets are needed.
  - If the freeway is connected to a structural post on 1 side = 1 bracket
  - If the freeway is connected to a structural post on both sides = 2 brackets
- A two-, three- or four-way post in a freestanding application is structural.



# Freestanding Applications

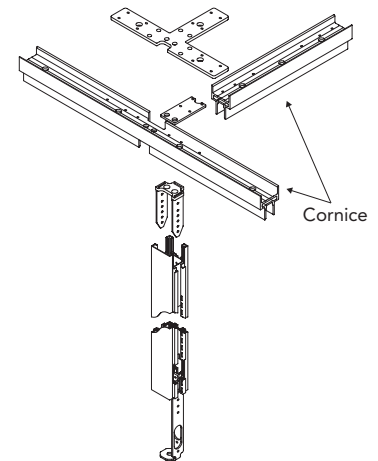
Working with Beyond®

## Freestanding Posts

- Two-, three- and four-way freestanding posts are structural.
  - BY-POST – Freestanding Post – Structural post
  - BY-APOST – Beyond Freestanding Post with Access Trim – Structural post
  - Structural posts
    - Structurally attach to floor and to cornice
    - Shipped at nominal heights as specified
    - Three-way contains pre-cut and machined cornice pieces to provide minimal seams. It needs to be specified as with snap-on trim or without snap-on trim.
    - Two-way and three-way posts come with post anchors.
- BY-PLATE – Freestanding Post Flat Bracket
  - Previously Boomerang Bracket (boomerang bracket to be de-emphasized)
  - Tagged with plan information

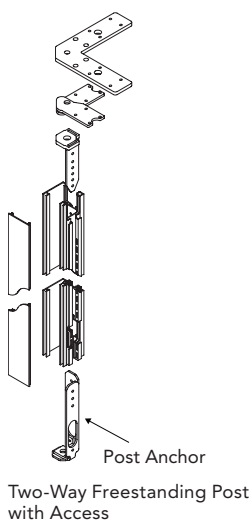


Two-Way Freestanding Post

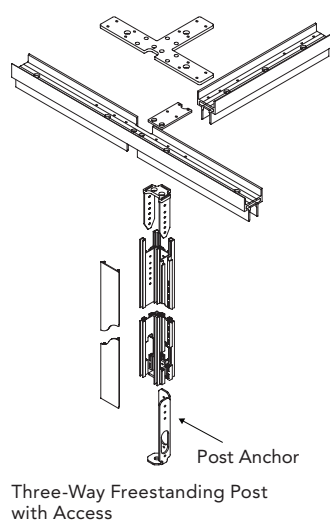


Three-Way Freestanding Post

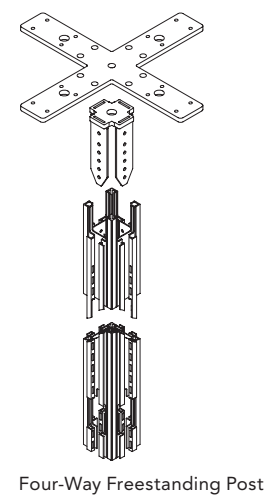
- Post Anchor Rules
  - Anchors included with all posts
  - Required in SDC C-F
  - Sometimes recommended in SDC A-B.
  - See application rules for more detail.



Two-Way Freestanding Post with Access



Three-Way Freestanding Post with Access

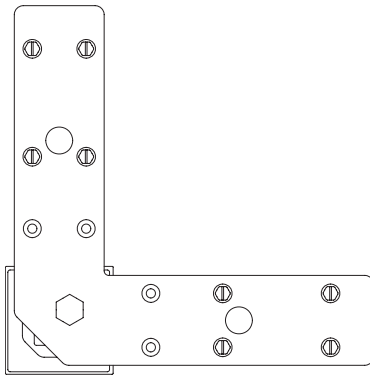
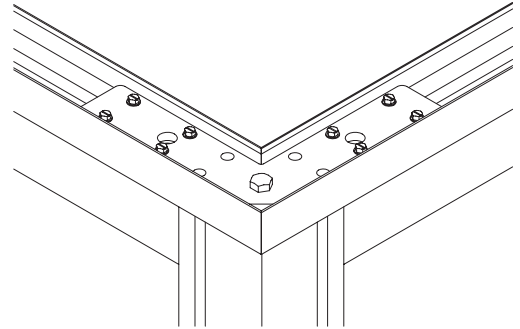


Four-Way Freestanding Post

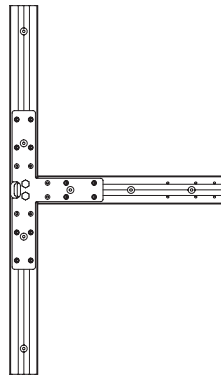
# Freestanding Applications

Working with Beyond®

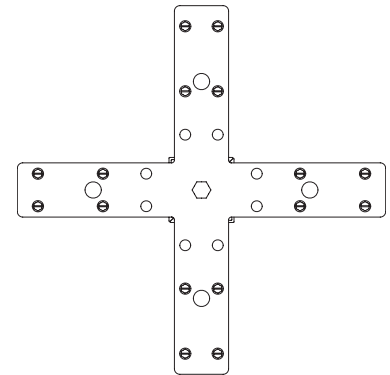
- Post Flat Brackets
  - Specified as BY-PLATE
  - Automatically added in CET when a two-, three- or four-way freestanding post is specified
  - Installed at the top of post inside cornice



Two-Way Flat Bracket



Three-Way Flat Bracket



Four-Way Flat Bracket

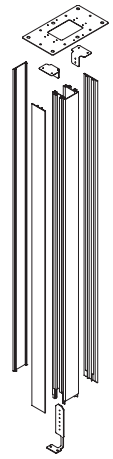
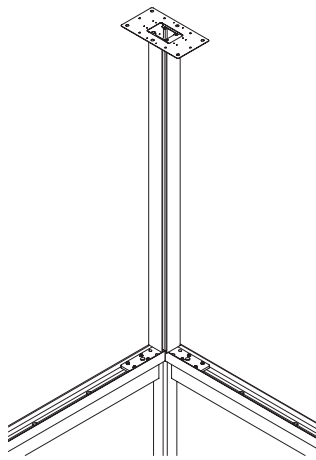
## Freestanding Electrical Routing

- Can use posts or electrical panels to route power up or down
- Electrical panels
  - Cornice may be field drilled up to 1" diameter in alignment with the electrified panel below.
- Posts
  - Beyond in-line standard and access posts may be used anywhere in the middle of a run. These posts are not structural.
  - For an inline post, up to two 1" diameter holes may be drilled through the centerline of the cornice.
  - Freestanding posts contain electrical pass through holes at the base for routing throughout base of the structure.
  - Allsteel recommends using freestanding access posts where routing will go up a structural post.
  - Allows lay in functionality inside post.
  - Prevents any snagging on fasteners if electrical or data were to be pulled through.
- Electrical Pass Through Information
  - Two-way – Clearance for 1 standard conduit pass through at top, 2 conduit pass through at base
  - Three-way – Clearance for 2 standard conduit pass through at top, 2 conduit pass through at base
  - Four-way – Clearance for 2 standard conduit pass through at base

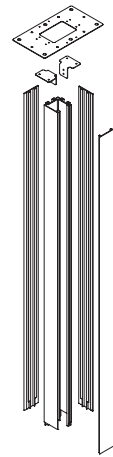


## Freestanding Power Pole

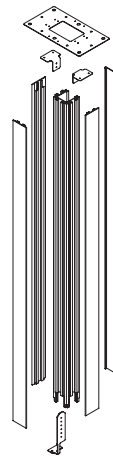
- Specified as BY-APOST – Beyond Freestanding Post with Access Trim – Stacking Post = Power Pole
  - Specified as access post with stacking
  - Power poles are non-structural elements used to shroud conduit routings extending upwards. Conduit may extend up without power pole if desired.
  - All power poles are intended to fasten to the freestanding cornice and have features to self fixture into place.
  - 5'H only.
  - Straight option is not intended for above structural posts (two-, three- or four-way), and should be offset at least 12" to CL of structural post.
  - Power pole is a new type of Infeed.
  - Power pole is fastened to the cornice with supplied hardware, and to the deck above with hardware supplied by others.



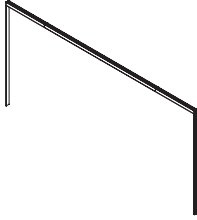
Straight



Two-Way



Three-Way

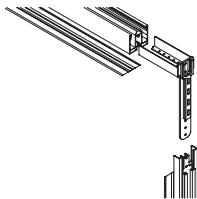


Base Model	Description	Specification
BY-FSFREEWAY	Freestanding Freeway Opening	BY-FSFREEWAY
Configuration ID	Specification Description	
Product	Beyond Freestanding	
Nominal Width	39"-216"W in ¼" Increments	
Nominal Height	86"-120"H in ¼" Increments	
Finish Color	Painted or Anodized Finishes	
Option	Specification Description	Specification
Frame Finish	3-digit painted or anodized finish	See <a href="#">Beyond Frame Finishes</a>

Specification Example: **BY-FSFREEWAY.####.P8X**

Base Model	Description	Specification
BY-FREEWAY (De-Emphasized)	Freeway Opening (De-Emphasized)	BY-FREEWAY (De-Emphasized)
Configuration ID	Specification Description	
Product	Beyond	
Nominal Width	39"-120"W in ¼" Increments	
Nominal Height	86"-120"H in ¼" Increments	
Finish Color	Painted or Anodized Finishes	
Option	Specification Description	Specification
Frame Finish	3-digit painted or anodized finish	See <a href="#">Beyond Frame Finishes</a>

Specification Example: **BY-FREEWAY.####.P8X**



Base Model	Description	Specification
BY-FREEWAYBRK	Freestanding Freeway Support Bracket	BY-FREEWAYBRK
Configuration ID	Specification Description	
Product	Beyond Freestanding	
Module	Single or Double	
Acoustic	Standard (only option)	

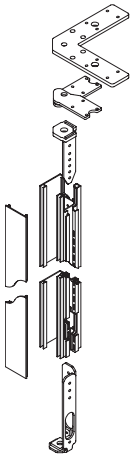
Specification Example: **BY-FREEWAYBRK.####**



Base Model	Description	Specification
BY-POST	Post	BY-POST
Configuration ID	Specification Description	
Product	Beyond Freestanding	
Product Type	Solid or Framed	
Dimension	86"-120"H	
Trim Type	Post	
Trim Use	Two Way, Three Way without Snap-On Trim, Three Way with Snap-On Trim, or Four Way	
Trim Style	Three Way (will populate if Snap-On Trim is selected) Low Profile (Low Profile = Snap-On Trim)	
Finish Color	Painted or Anodized Finishes	

Option	Specification Description	Specification
Frame Finish	3-digit painted or anodized finish	See <a href="#">Beyond Frame Finishes</a>

Specification Example: BY-POST.####.P8X



Base Model	Description	Specification
BY-APOST	Post with Access Trim	BY-APOST
Configuration ID	Specification Description	
Product	Beyond Freestanding	
Product Type	Solid or Framed	
Dimension	86"-120"H	
Trim Type	Post Access	
Trim Use	Two Way, Three Way without Snap-On Trim, Three Way with Snap-On Trim, or Four Way	
Trim Style	Will populate If Two-Way is selected Left Hand Right Hand Three Way (will populate if Snap-On Trim is selected) Low Profile (Low Profile = Snap-On Trim)	
Finish Color	Painted or Anodized Finishes	

Option	Specification Description	Specification
Frame Finish	3-digit painted or anodized finish	See <a href="#">Beyond Frame Finishes</a>

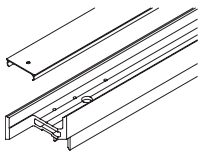
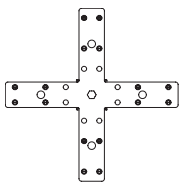
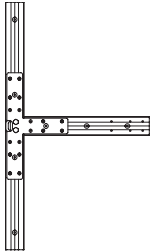
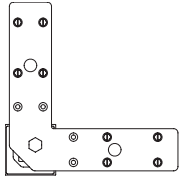
Specification Example: BY-APOST.####.P8X



Base Model	Description	Specification
BY-APOST	Post with Access Trim (Stacking – Power Pole)	BY-APOST
Configuration ID	Specification Description	
Product	Beyond Freestanding	
Product Type	Solid or Framed Stacking	
Trim Type	Post Access	
Trim Use	Straight, Two Way, Three Way without Snap-On Trim, Three Way with Snap-On Trim	
Trim Style	Will populate If Two-Way is selected Left Hand Right Hand Will populate If Three-Way is selected Low Profile (Low Profile = Snap-On Trim)	
Finish Color	Painted or Anodized Finishes	

Option	Specification Description	Specification
Frame Finish	3-digit painted or anodized finish	See <a href="#">Beyond Frame Finishes</a>

Specification Example: BY-APOST.####.P8X



Base Model	Description	Specification
BY-PLATE	Freestanding Post Flat Bracket	BY-PLATE
Configuration ID	Specification Description	
Product	Beyond Freestanding	
Nominal Length	Varies, depending on bracket selection	
Trim Type	Freestanding Bracket	
Trim Use	Two Way, Three Way, or Four Way	

Specification Example: **BY-PLATE.####**

Base Model	Description	Specification
BY-FSCORNICE	Freestanding Cornice	BY-FSCORNICE
Configuration ID	Specification Description	
Product	Beyond Freestanding	
Dimension	120"W	
Trim Type	Cornice	
Trim Use	Cornice Without Snap-On Trim Cornice With Snap-On Trim Cornice Without Snap-On Trim, With Building Interface Cornice With Snap-On Trim and Building Interface	
Trim Style	Will populate if Snap-On Trim is selected Low Profile (Low Profile = Snap-On Trim)	
Finish Color	Painted or Anodized Finishes	

Option	Specification Description	Specification
Frame Finish	3-digit painted or anodized finish	See <a href="#">Beyond Frame Finishes</a>

Specification Example: **BY-FSCORNICE.####.P8X**

## General Guidelines

- The following typicals consist of panels, freeways, or doors between **4 structural posts**. They are labeled as modules. It is recommended that all A-B modules are anchored into the floor at posts, unless otherwise noted. **The exception is 4-sided room modules – posts do NOT need to be anchored.**
- All framed glass types are possible in SDC A-B.
- Maximum height is 120"H unless otherwise noted.
- Minimum height is 86" due to clearance needed for freeways and doors to meet 80"H clear opening.
- Panel runs are 24"W minimum for four-sided modules.
- All modules can connect at structural posts in any direction.
- All dimensions are panel run length maximums (not including structural posts), unless otherwise noted.
- If Worksurface Mounting, worksurfaces must be  $\leq$  135lbs self weight at 42" AFF (60" x 72" worksurface max).
- If TV Mounting, TVs must be  $\leq$  170lbs at  $\leq$  78" AFF, no pivot or articulating / extending arm allowed.

## SDC A-B: Freestanding Panel Module Possibilities

1. 2 Framed / Solid Panel Runs between 2 Freeways
2. 1 Framed / Solid Panel Run with 3 Freeways
3. L-Configured Framed / Solid Panel Runs with 2 Freeways
4. 4 Freeways
5. 3 Framed / Solid Panel Runs with 1 Freeway
6. 4 Framed / Solid Panel Runs and Phone booth
7. 1 Framed / Solid Panel Run between Building Structure

# SDC A-B: Freestanding Panels

Working with Beyond®

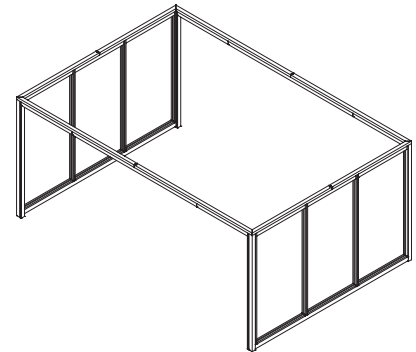
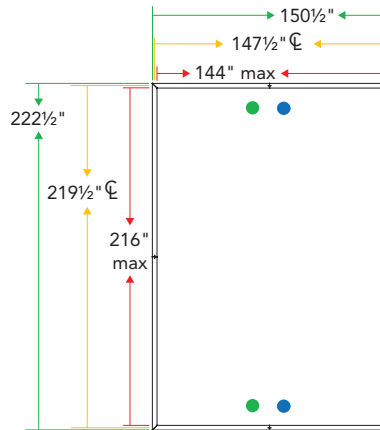
## 1. Standalone

- 2 Framed / Solid Panel Runs between
- 2 Freeways

If this module is standalone as shown, panels can be specified up to 144"W.

If using solid panels or posts:

- Worksurface – anywhere along run (solid panels only)
- TV – anywhere along run (solid panels or posts)



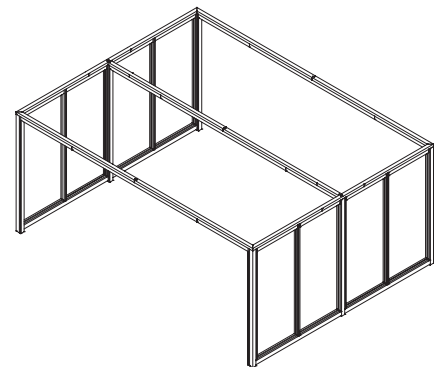
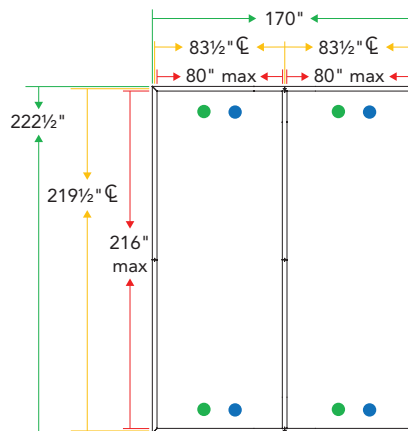
## 1. Connected

- 2 Framed / Solid Panel Runs between
- 2 Freeways

If this module is connected to other modules on any side, the framed / solid panels are limited to 80"W maximum.

If using solid panels or posts:

- Worksurface – anywhere along run (solid panels only)
- TV – anywhere along run (solid panels or posts)



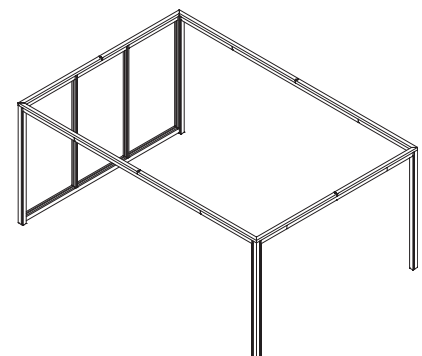
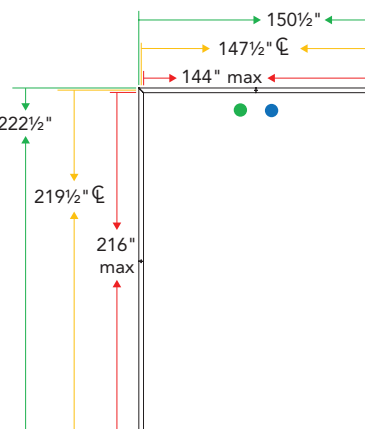
## 2. Standalone

- 1 Framed / Solid Panel Run with 3 Freeways

If this module is standalone as shown, panels can be specified up to 144"W.

If using solid panels or posts:

- Worksurface – anywhere along run (solid panels only)
- TV – anywhere along run (solid panels or posts)



# SDC A-B: Freestanding Panels

Working with Beyond®

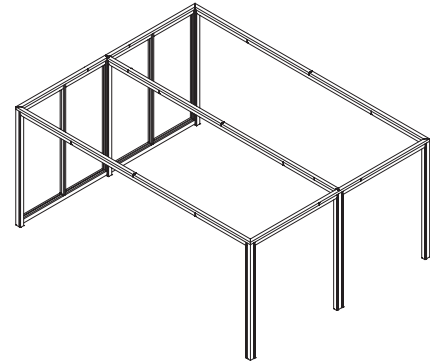
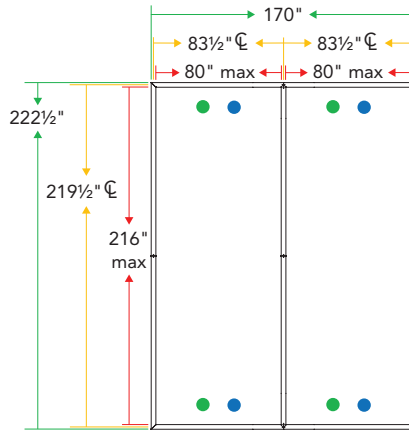
## 2. Connected

- 1 Framed / Solid Panel Run with
- 3 Freeways

If this module is connected to other modules on any side, the framed / solid panel runs are limited to 80"W maximum.

If using solid panels or posts:

- Worksurface – anywhere along run (solid panels only)
- TV – anywhere along run (solid panels or posts)

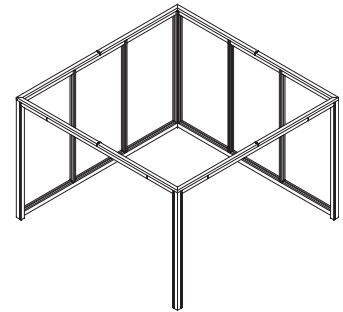
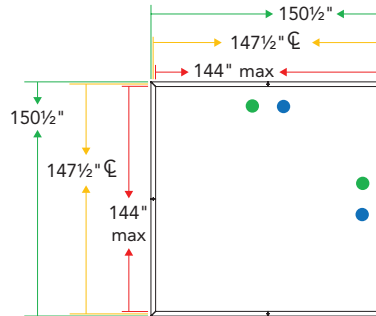


## 3. Standalone / Connected

- L-Configured Framed / Solid Panel Runs with
- 2 Freeways

If using solid panels or posts:

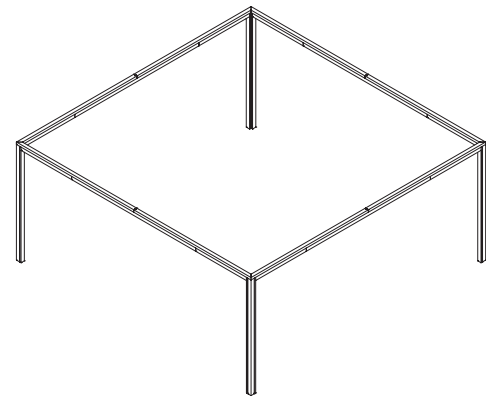
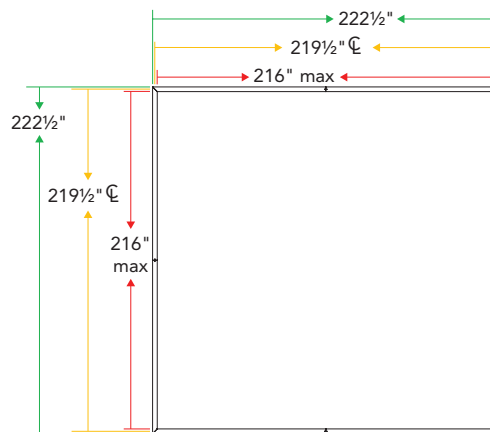
- Worksurface – anywhere along run (solid panels only)
- TV – anywhere along run (solid panels or posts)



## 4. Standalone / Connected

- 4 Freeways

No worksurface or TV mounting allowed.



# SDC A-B: Freestanding Panels

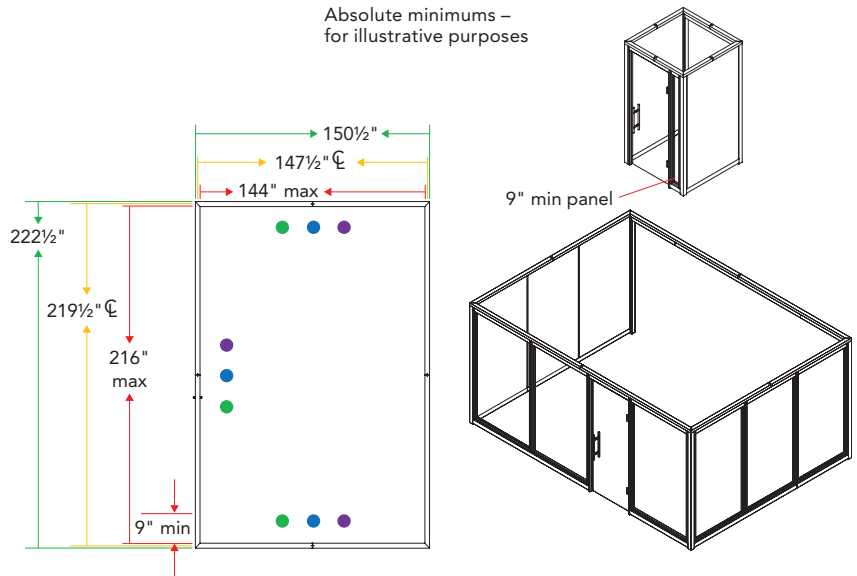
Working with Beyond®

## 5. Standalone / Connected

3 Framed / Solid Panel Runs with 1 Freeway – SINGLE DOOR

If using solid panels or posts:

- Worksurface – anywhere along run (solid panels only)
- TV – anywhere along run (solid panels or posts)
- Overhead – mount anywhere along run (solid panels only)



Absolute minimums – for illustrative purposes

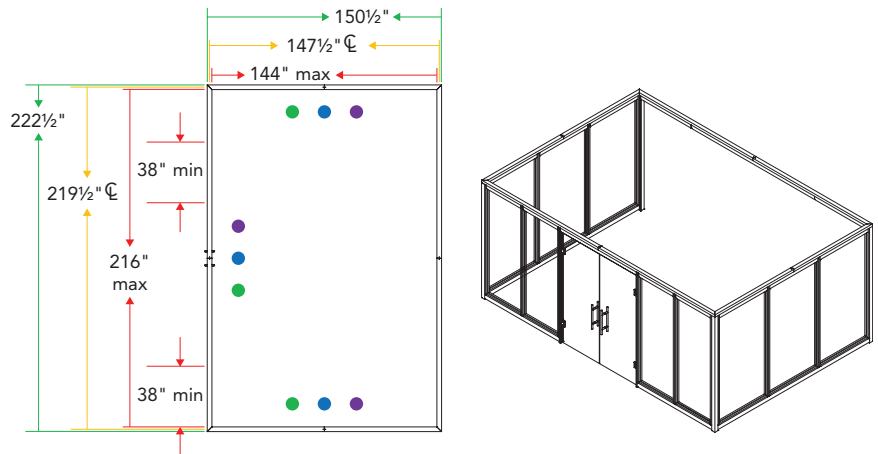
Single door or freeway up to 42"W can be added to this run.  
Must have minimum 9"W wing panel adjacent to post on one side within run.

## 5. Standalone / Connected

3 Framed / Solid Panel Runs with 1 Freeway – DOUBLE DOOR & 48"W DOOR

If using solid panels or posts:

- Worksurface – anywhere along run (solid panels only)
- TV – anywhere along run (solid panels or posts)
- Overhead – mount anywhere along run (solid panels only)



A double door and 48"W door can be added to this run. Must have 38"W framed / solid wing wall at 1 post and additional 38"W framed / solid min wall within run.



# SDC A-B: Freestanding Panels

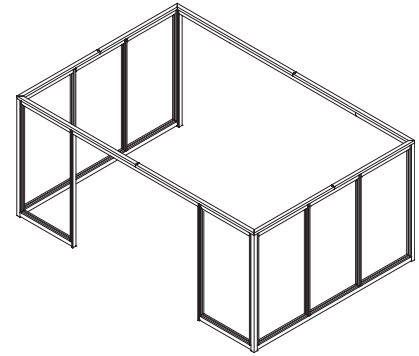
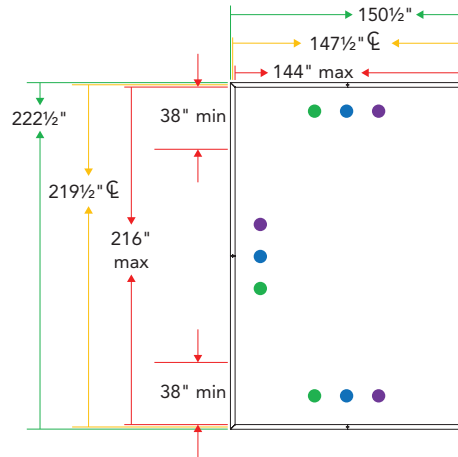
Working with Beyond®

## 5. Standalone / Connected

3 Framed / Solid Panel Runs with  
1 Freeway – FREEWAY over 42"W

If using solid panels or posts:

- Worksurface – anywhere along run (solid panels only)
- TV – anywhere along run (solid panels or posts)
- Overhead – mount anywhere along run (solid panels only)



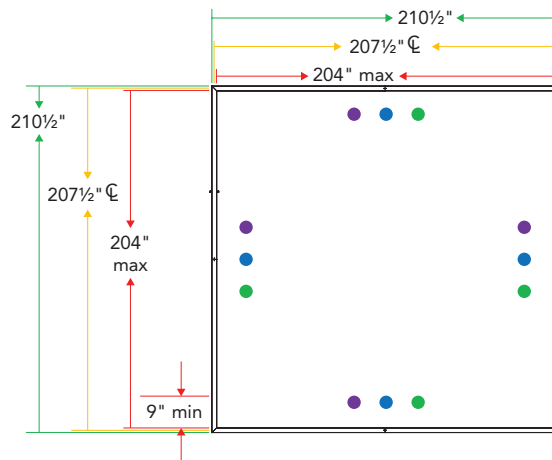
Freeway can be added to this run. Must have **38"W framed / solid wing wall** at 1 post and additional **38"W framed / solid min wall** within run.

## 6. Standalone / Connected

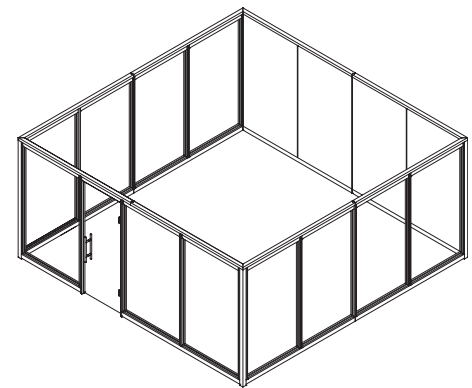
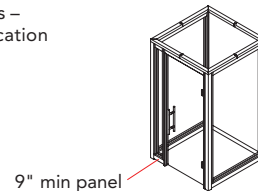
4 Framed / Solid Panel  
Runs and Phone Booth –  
SINGLE DOOR

If using solid panels or  
posts:

- Worksurface – anywhere  
along run (solid panels  
only)
- TV – anywhere along run  
(solid panels or posts)
- Overhead – mount  
anywhere along run (solid  
panels only)



Absolute minimums –  
phone booth application



Single door or freeway **up to 42"W** can be added to this run.  
Must have **minimum 9"W wing panel** adjacent to post on one side within run.

# SDC A-B: Freestanding Panels

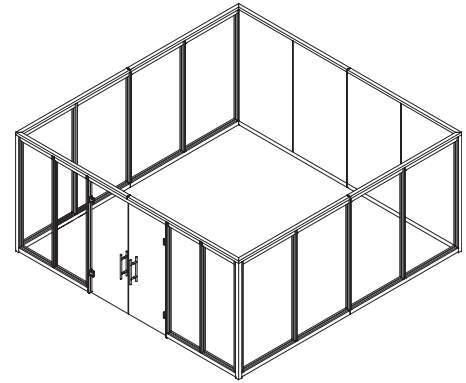
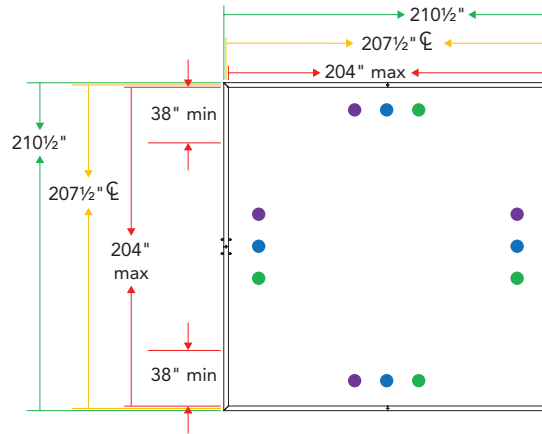
Working with Beyond®

## 6. Standalone / Connected

4 Framed / Solid Panel  
Runs and Phone Booth –  
DOUBLE DOOR & 48"W  
DOOR

If using solid panels or posts:

- Worksurface – anywhere along run (solid panels only)
- TV – anywhere along run (solid panels or posts)
- Overhead – mount anywhere along run (solid panels only)



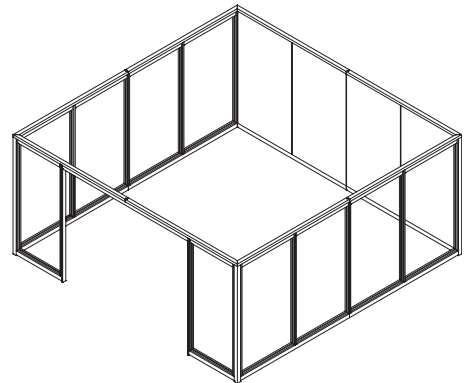
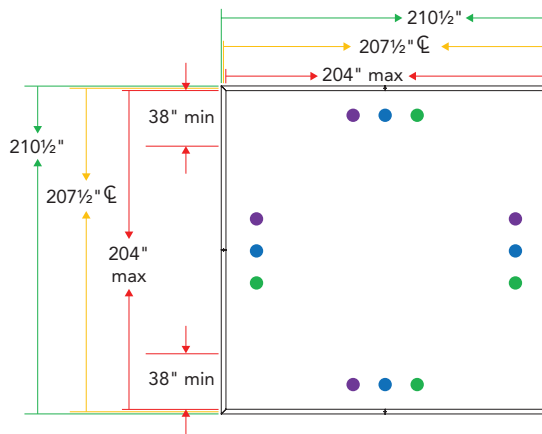
A double door and 48"W door can be added to this run. Must have 38"W framed / solid wing wall at 1 post and additional 38"W framed / solid min wall within run.

## 6. Standalone / Connected

4 Framed / Solid Panel  
Runs and Phone Booth –  
FREEWAY over 42"W

If using solid panels or  
posts:

- Worksurface – anywhere along run (solid panels only)
- TV – anywhere along run (solid panels or posts)
- Overhead – mount anywhere along run (solid panels only)

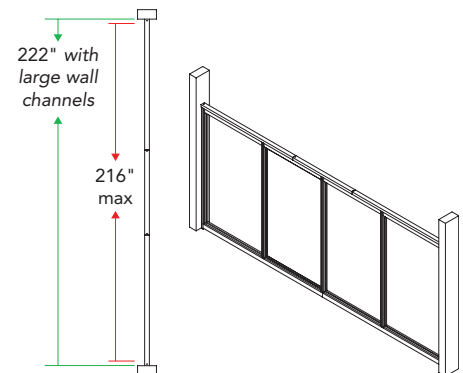


A freeway can be added to this run. Must have 38"W framed / solid wing wall at 1 post and additional 38"W framed / solid min wall within run.

## 7. Standalone

1 Framed / Solid Panel Run between Building Structure

No worksurface or TV mounting allowed.

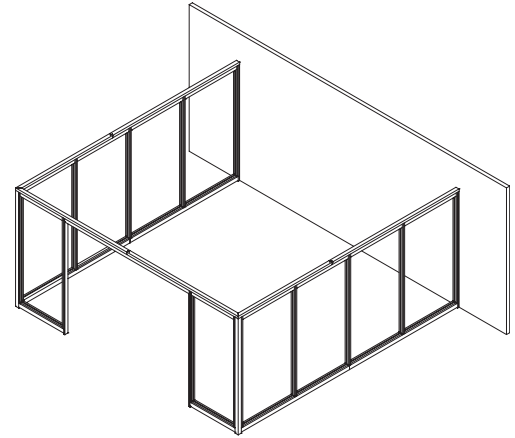
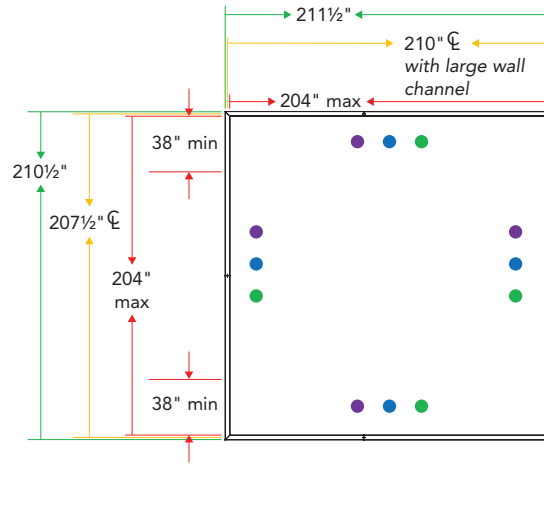


# SDC A-B: Freestanding Panels

## 7. Connected 3 Framed / Solid Panel Runs with 1 Wall as Building Structure

If using solid panels or posts:

- Worksurface – anywhere along run (solid panels only)
- TV – anywhere along run (solid panels or posts)
- Overhead – mount anywhere along run (solid panels only)



Treat the building structure wall like a framed or solid run and refer to those rules. In the example here, the 4 Framed / Solid Panel Runs with Freeway over 42"W application rule should be utilized.

## General Guidelines

- The following typicals consist of panels, freeways, doors and wood slat panels between 4 structural posts. They are labeled as modules. It is recommended that all A-B modules are anchored into the floor at posts, unless otherwise noted. **The exception is 4-sided room modules – posts do NOT need to be anchored.**
- Maximum height varies – some modules are limited to 96"H; others can go to 120"H.
- Minimum height is 86" due to clearance needed for freeways and doors to meet 80"H clear opening.
- Panel runs are limited to 24"W minimum for four-sided modules.
- All modules can connect at structural posts in any direction.
- All dimensions are panel run length maximums (not including posts), unless otherwise noted.
- If Worksurface Mounting, worksurfaces must be  $\leq$  135lbs self weight at 42" AFF (60" x 72" worksurface max).
- If TV Mounting, TVs must be  $\leq$  170lbs at  $\leq$  78" AFF, no pivot or articulating / extending arm allowed.
- Wood slat panel standard special sizes reminder:
  - Widths: 24"W, 30"W, 36"W, 42"W, 48"W
  - Heights: 96"H, 102"H, 108"H, 112"H, 120"H

## SDC A-B: Freestanding Panel Module Possibilities

1. 2 Wood Slat Runs between 2 Freeways
2. 1 Wood Slat Run and 1 Framed / Solid Panel Run between 2 Freeways
3. 1 Wood Slat Run with 3 Freeways
4. 2 Framed / Solid Panel Runs between 1 Wood Slat Run and 1 Freeway
5. L-Configured Framed / Solid Panel Run and Wood Slat Run with 2 Freeways

## SDC A-B: Freestanding Panels + Wood Slats

Working with Beyond®

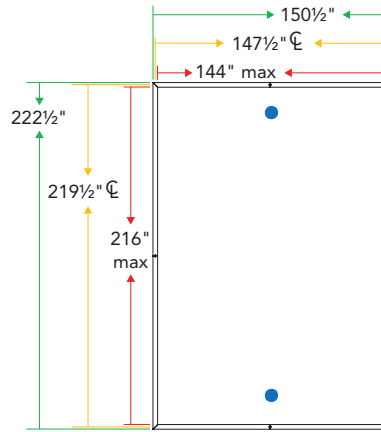
**1. Standalone**

2 Wood Slat Runs between 2 Freeways

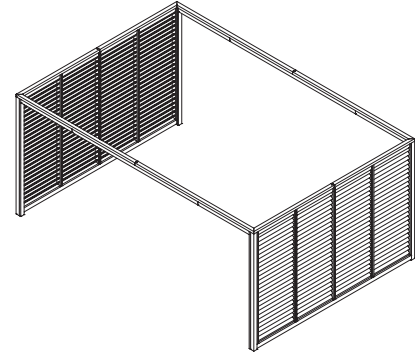
If this module is standalone as shown, wood slat run can be specified up to 144"W.

If using inline posts:

- TV – anywhere along run



120"H Max  
Wood Slats Planning: 36"W x 4 = 144"W

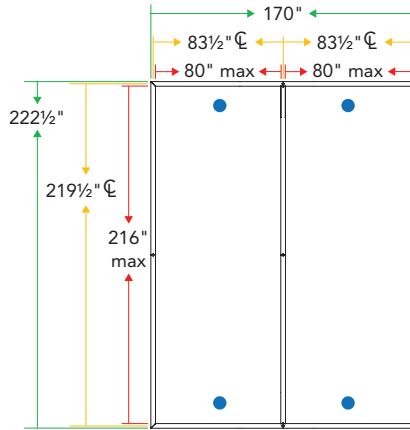
**1. Connected**

2 Wood Slat Runs between 2 Freeways

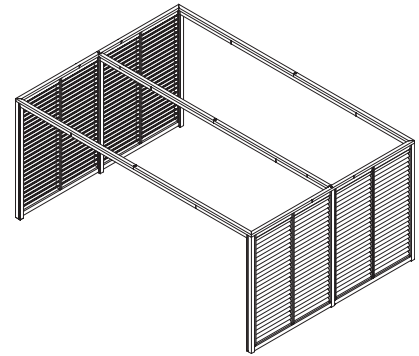
If this module is connected to other modules on any side, the wood slat panels are limited to 80"W maximum.

If using inline posts:

- TV – anywhere along run



120"H Max  
Wood Slats Planning: 36"W x 2 = 72"W

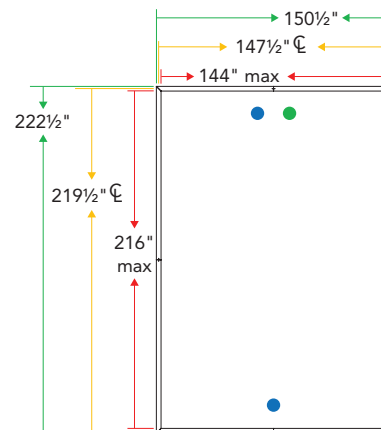
**2. Standalone**

1 Wood Slat Run and 1 Framed / Solid Panel Run between 2 Freeways

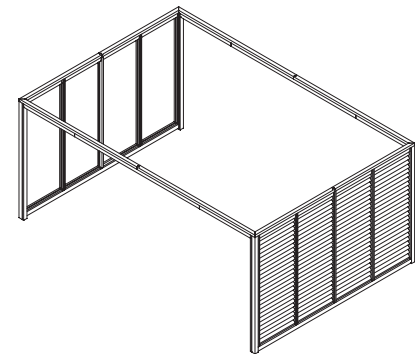
If this module is standalone as shown, wood slat run and framed panel run can be specified up to 144"W.

If using solid panels or posts:

- Worksurface – anywhere along run (solid panels only)
- TV – anywhere along run (solid panels or posts)



120"H Max  
Wood Slats Planning: 36"W x 4 = 144"W



# SDC A-B: Freestanding Panels + Wood Slats

Working with Beyond®

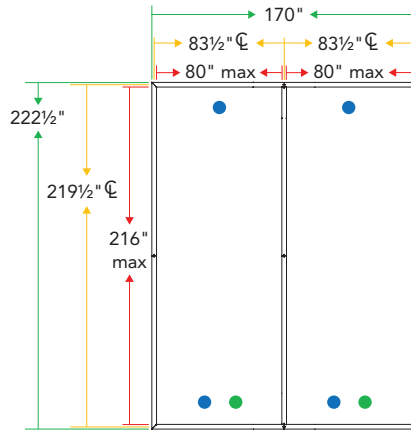
## 2. Connected

1 Wood Slat Run and 1 Framed / Solid Panel Run between 2 Freeways

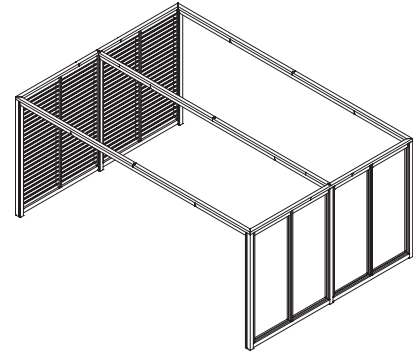
If this module is connected to other modules on any side, the wood slat panels and framed panels are limited to 80"W maximum.

If using solid panels or posts:

- Worksurface – anywhere along run (solid panels only)
- TV – anywhere along run (solid panels or posts)



120"H Max  
Wood Slats Planning: 36"W x 2 = 72"W



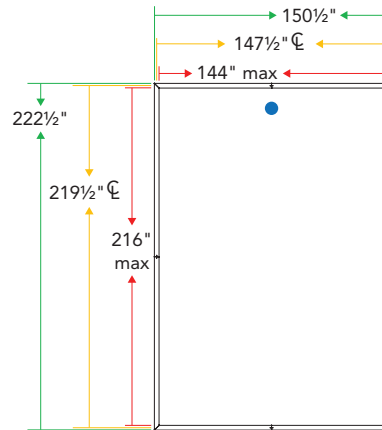
## 3. Standalone

1 Wood Slat Run with 3 Freeways

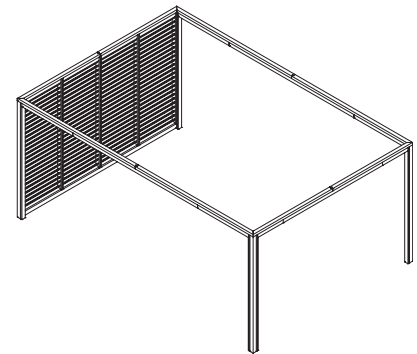
If this module is standalone as shown, wood slat run can be specified up to 144"W.

If using inline posts:

- TV – anywhere along run



120"H Max  
Wood Slats Planning: 36"W x 4 = 144"W



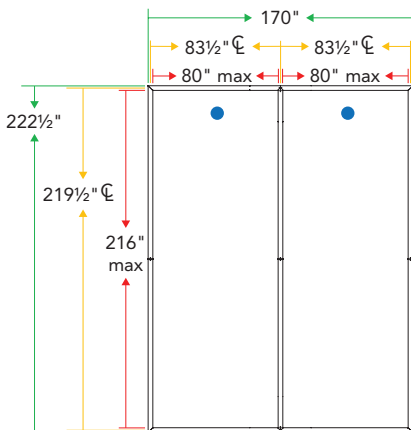
## 3. Connected

1 Wood Slat Run with 3 Freeways

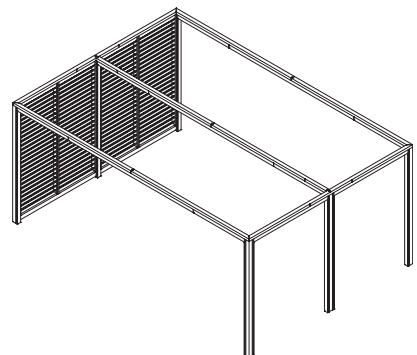
If this module is connected to other modules on any side, the wood slat panels are limited to 80"W maximum.

If using inline posts:

- TV – anywhere along run



120"H Max  
Wood Slats Planning: 36"W x 4 = 144"W



# SDC A-B: Freestanding Panels + Wood Slats

Working with Beyond®

## 4. Standalone

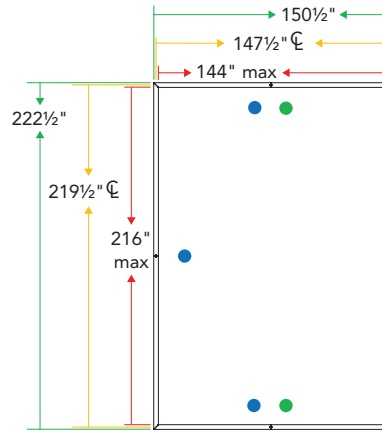
2 Framed / Solid Panel Runs between 1 Wood Slat Run and 1 Freeway

### Height limitation: 96"H max

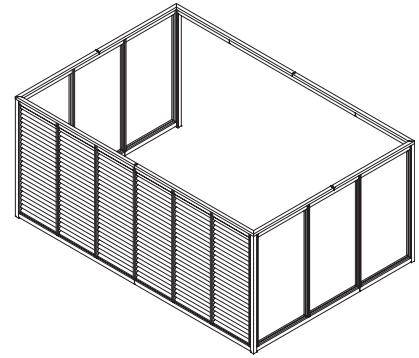
If this module is standalone as shown, the framed / solid panel runs can be specified up to 144"W.

If using solid panels or posts:

- Worksurface – anywhere along run (solid panels only)
- TV – anywhere along run (solid panels or posts)



96"H Max  
Wood Slats Planning: 36"W x 6 = 216"W



## 4. Connected

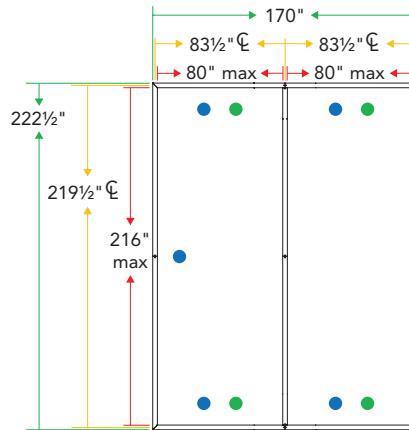
2 Framed / Solid Panel Runs between 1 Wood Slat Run and 1 Freeway

### Height limitation: 96"H max

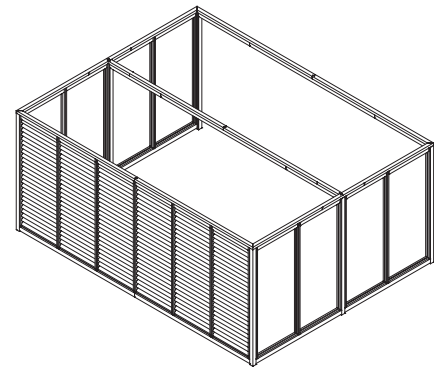
If this module is connected to other modules on any side, the framed / solid panel runs are limited to 80"W maximum.

If using solid panels or posts:

- Worksurface – anywhere along run (solid panels only)
- TV – anywhere along run (solid panels or posts)



96"H Max  
Wood Slats Planning: 36"W x 6 = 216"W



## 5. Standalone

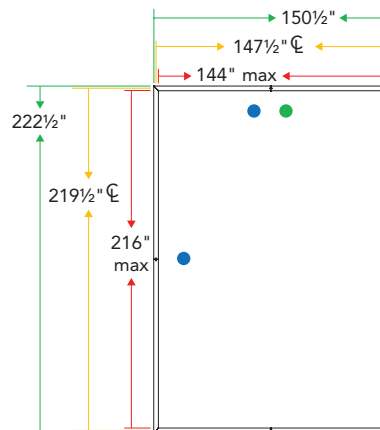
L-Configured Framed / Solid Panel Run and Wood Slat Run with 2 Freeways

### Height limitation: 96"H max

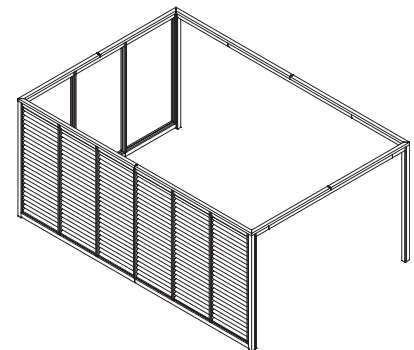
If this module is standalone as shown, the framed / solid panel run can be specified up to 144"W.

If using solid panels or posts:

- Worksurface – anywhere along run (solid panels only)
- TV – anywhere along run (solid panels or posts)



96"H Max  
Wood Slats Planning: 36"W x 6 = 216"W



## 5. Connected

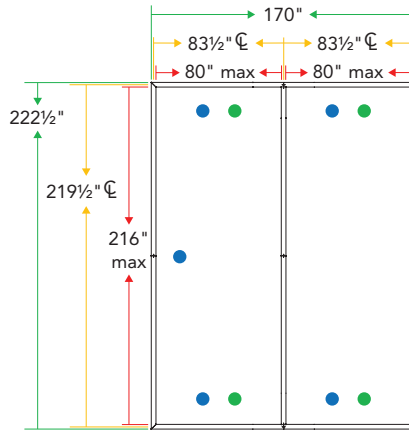
L-Configured Framed / Solid Panel Run and Wood Slat Run with 2 Freeways

### Height limitation: 96"H max

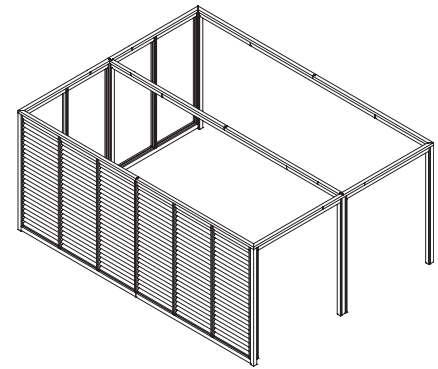
If this module is connected to other modules on any side, the framed / solid panel run is limited to 80"W maximum.

If using solid panels or posts:

- Worksurface – anywhere along run (solid panels only)
- TV – anywhere along run (solid panels or posts)



96"H Max  
Wood Slats Planning: 36"W x 6 = 216"W





## General Guidelines

- The following typicals consist of panels, freeways, or doors between 4 structural posts. They are labeled as modules. **All C-F modules must be anchored into the floor at posts and all panels must be anchored into the floor using standard seismic anchors.**
- **Framed glass MUST be 3/8" laminated in SDC C-F.**
- Maximum height varies between 96"H - 120"H.
- Minimum height is 86" due to clearance needed for freeways and doors to meet 80"H clear opening.
- Panel runs are limited to 24"W minimum for four-sided modules.
- All modules can connect at structural posts in any direction.
- All dimensions are panel run length maximums (not including posts), unless otherwise noted.
- If Worksurface Mounting, worksurfaces must be ≤ 135lbs self weight at 42" AFF (60" x 72" worksurface max).
- If TV Mounting, TVs must be ≤ 60lbs at ≤ 78" AFF, ≤ 6" CG from Panel Surface, no pivot or articulating / extending arm allowed.

## SDC C-F: Freestanding Panel Module Possibilities

1. 2 Framed / Solid Panel Runs between 2 Freeways
2. 1 Framed / Solid Panel Run with 3 Freeways
3. L-Configured Framed / Solid Panel Runs with 2 Freeways
4. 4 Freeways
5. 3 Framed / Solid Panel Runs with 1 Freeway
6. 4 Framed / Solid Panel Runs with Phone Booth
7. 1 Framed / Solid Panel Run between Building Structure

# SDC C-F: Freestanding Panels

Working with Beyond®

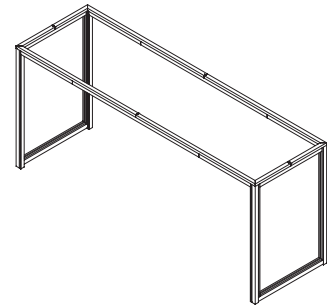
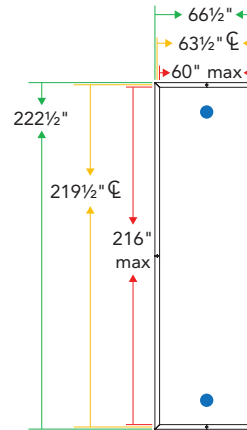
## 1. Standalone

2 Framed / Solid Panel Runs between 2 Freeways

If this module is standalone as shown, panels can be specified up to 60"W.

If using solid panels or posts:

- TV – anywhere along run. If a TV is added, freeway run is limited to 156"W



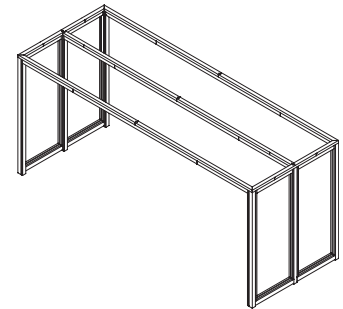
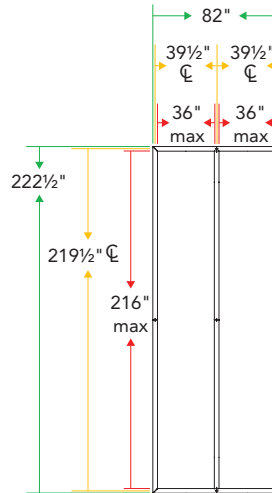
## 1. Connected

2 Framed / Solid Panel Runs between 2 Freeways

If this module is connected to other modules on any side, the framed / solid panels are limited to 36"W maximum.

If using solid panels or posts:

- TV – anywhere along run. If a TV is added, freeway run is limited to 156"W



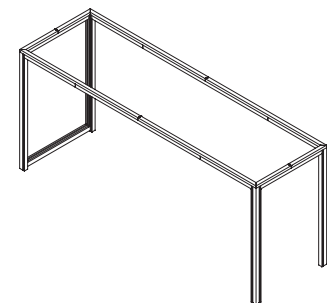
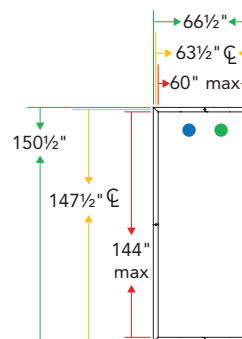
## 2. Standalone

1 Framed / Solid Panel Run with 3 Freeways

If this module is standalone as shown, panels can be specified up to 60"W.

If using solid panels or posts:

- Worksurface – anywhere along run (solid panels only)
- TV – anywhere along run (solid panels or posts)



# SDC C-F: Freestanding Panels

Working with Beyond®

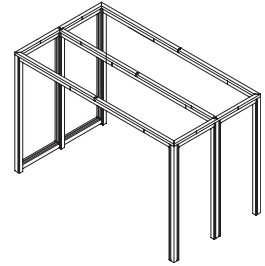
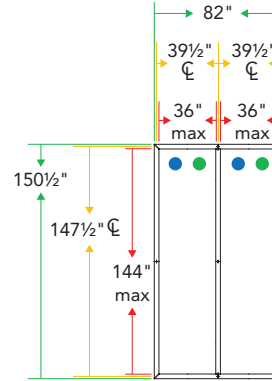
## 2. Connected

1 Framed / Solid Panel Run with 3 Freeways

If this module is connected to other modules on any side, the framed / solid panels are limited to 36"W maximum.

If using solid panels or posts:

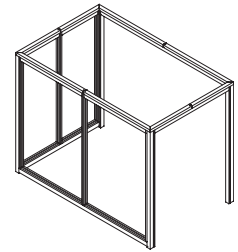
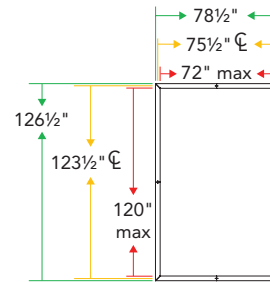
- Worksurface – anywhere along run (solid panels only)
- TV – anywhere along run (solid panels or posts)



## 3. Standalone / Connected

L-Configured Framed / Solid Panel Runs with 2 Freeways

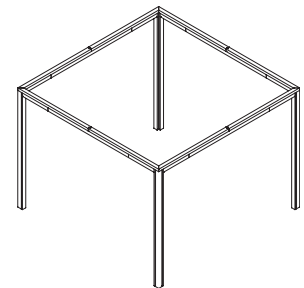
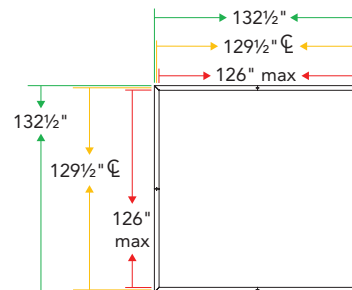
No worksurface or TV mounting allowed.



## 4. Standalone / Connected

4 Freeways

No worksurface or TV mounting allowed.



# SDC C-F: Freestanding Panels

Working with Beyond®

## 5. Standalone / Connected

3 Framed / Solid Panel Runs with 1 Freeway – SINGLE DOOR

### Height Limitation: 96"H Maximum

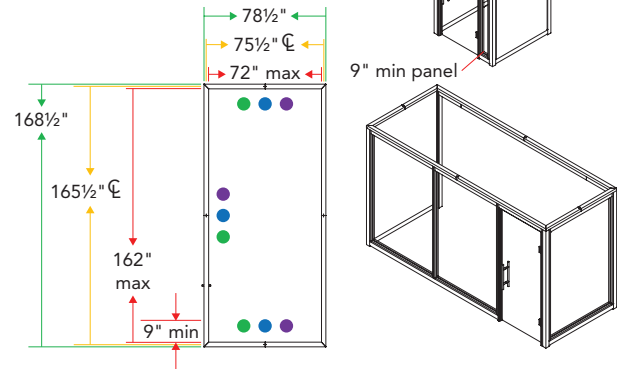
If this module is standalone as shown, panels adjacent to freeway can be specified up to 72"W.

If this module is connected to other modules on any side, the framed / solid panels adjacent to freeway are limited to 60"W maximum.

If using solid panels or posts:

- Worksurface – anywhere along run (solid only)
- TV – anywhere along run
- Overhead – mount anywhere along run (solid only)

Absolute minimums –  
for illustrative purposes



96"H Max

Single door or freeway up to 42"W can be added to this run.

Must have minimum 9"W wing panel adjacent to post on one side within run.

## 5. Standalone / Connected

3 Framed / Solid Panel Runs with 1 Freeway – DOUBLE DOOR OR 48"W DOOR

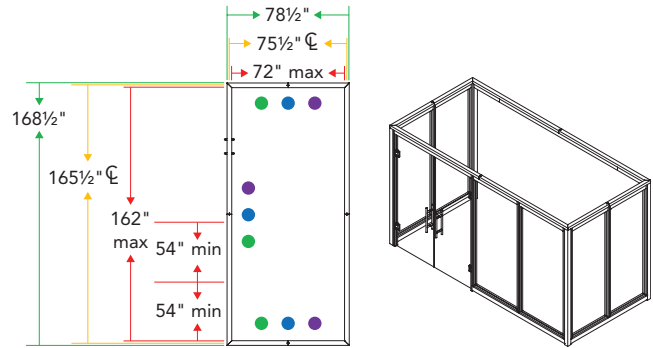
### Height Limitation: 96"H Maximum

If this module is standalone as shown, panels adjacent to freeway can be specified up to 72"W.

If this module is connected to other modules on any side, the framed / solid panels adjacent to freeway are limited to 60"W maximum.

If using solid panels or posts:

- Worksurface – anywhere along run (solid only)
- TV – anywhere along run
- Overhead – mount anywhere along run (solid only)



A double door or 48"W door can be added to this run. Must have 54"W framed / solid wing wall at 1 post and additional 54"W framed / solid min wall within run.

# SDC C-F: Freestanding Panels

Working with Beyond®

## 5. Standalone / Connected

3 Framed / Solid Panel Runs with 1 Freeway – FREEWAY  
over 42"W

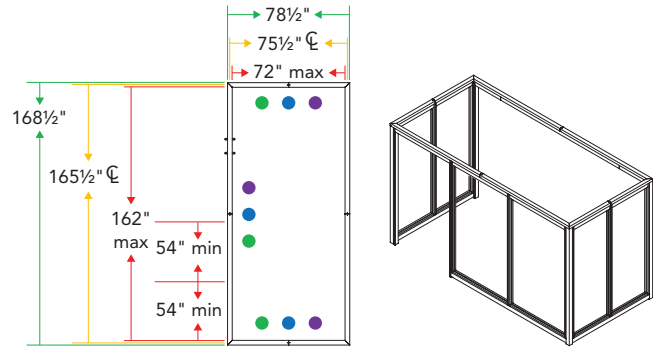
### Height Limitation: 96"H Maximum

If this module is standalone as shown, panels adjacent to freeway can be specified up to 72"W.

If this module is connected to other modules on any side, the framed / solid panels adjacent to freeway are limited to 60"W maximum.

If using solid panels or posts:

- Worksurface – anywhere along run (solid only)
- TV – anywhere along run
- Overhead – mount anywhere along run (solid only)



96"H Max

A freeway can be added to this run. Must have 54"W framed / solid wing wall at 1 post and additional 54"W framed / solid min wall within run.

## 6. Standalone / Connected

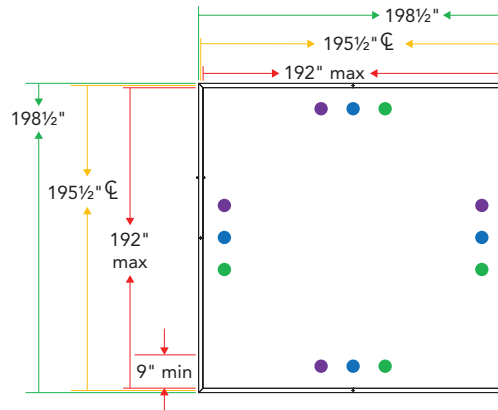
4 Framed / Solid Panel Runs –  
SINGLE DOOR

If this module is standalone as shown, framed / solid runs can be specified up to 192"W.

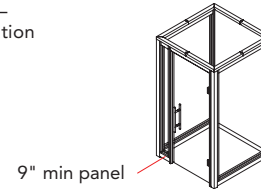
If this module is connected to other modules on any side, the framed / solid runs are limited to 144"W maximum.

If using solid panels or posts:

- Worksurface – anywhere along run (solid only)
- TV – anywhere along run
- Overhead – mount anywhere along run (solid only)



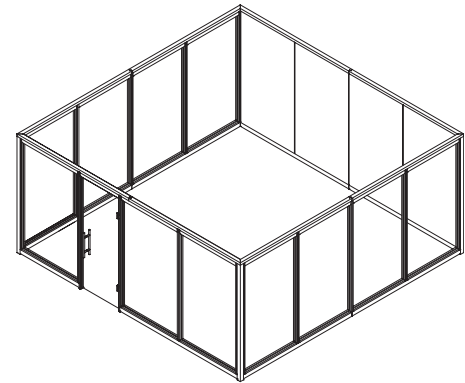
Absolute minimums –  
phone booth application



9" min panel

Single door or freeway up to 42"W can be added to this run.

Must have minimum 9"W wing panel adjacent to post on one side within run.



# SDC C-F: Freestanding Panels

Working with Beyond®

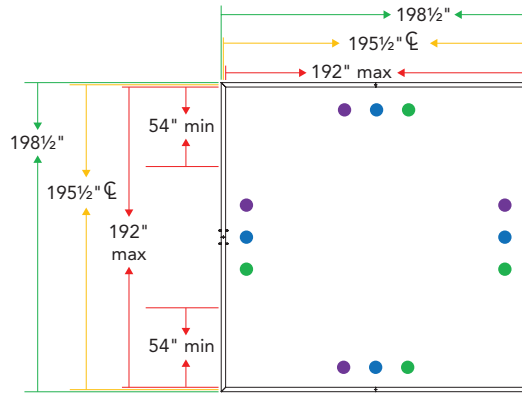
## 6. Standalone / Connected 4 Framed / Solid Panel Runs – DOUBLE DOOR OR 48"W DOOR

If this module is standalone as shown, framed / solid runs can be specified up to 192"W.

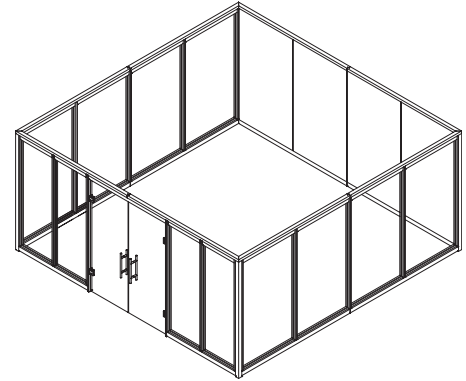
If this module is connected to other modules on any side, the framed / solid runs are limited to 144"W maximum.

If using solid panels or posts:

- Worksurface – anywhere along run (solid only)
- TV – anywhere along run
- Overhead – mount anywhere along run (solid only)



A double door or 48"W door can be added to this run. Must have 54"W framed / solid wing wall at 1 post and additional 54"W framed / solid min wall within run.



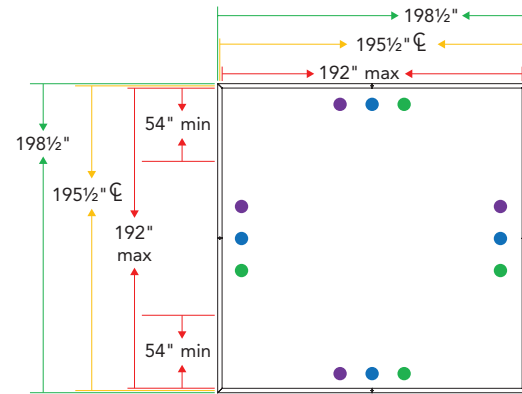
## 6. Standalone / Connected 4 Framed / Solid Panel Runs – FREEWAY over 42"W

If this module is standalone as shown, framed / solid runs can be specified up to 192"W.

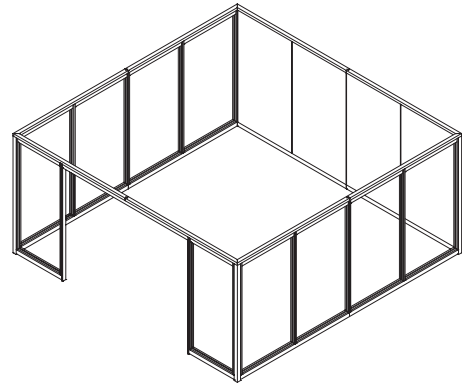
If this module is connected to other modules on any side, the framed / solid runs are limited to 144"W maximum.

If using solid panels or posts:

- Worksurface – anywhere along run (solid only)
- TV – anywhere along run
- Overhead – mount anywhere along run (solid only)



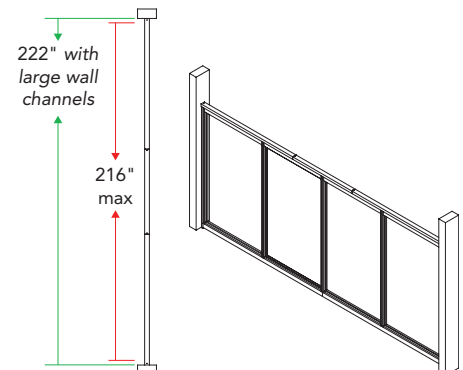
A freeway can be added to this run. Must have 54"W framed / solid wing wall at 1 post and additional 54"W framed / solid min wall within run.



## 7. Standalone

1 Framed / Solid Panel Run between Building Structure

No worksurface or TV mounting allowed.



# SDC C-F: Freestanding Panels

Working with Beyond®

## 7. Standalone / Connected

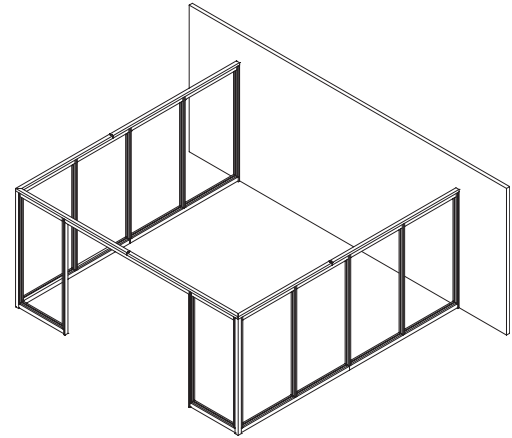
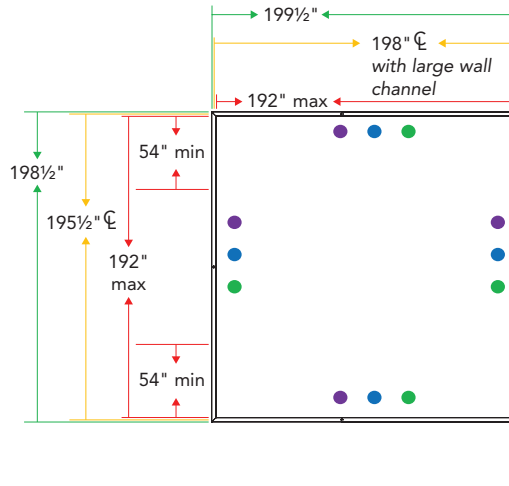
3 Framed / Solid Panel  
Runs with 1 Wall as  
Building Structure

If this module is standalone as shown, framed / solid runs can be specified up to 192"W.

If this module is connected to other modules on any side, the framed / solid runs are limited to 144"W maximum.

If using solid panels or posts:

- Worksurface – anywhere along run (solid only)
- TV – anywhere along run
- Overhead – mount anywhere along run (solid only)



Treat the building structure wall like a framed or solid run and refer to those rules. In the example here, the 4 Framed / Solid Panel Runs with Freeway over 42"W application rule should be utilized.

## General Guidelines

- The following typicals consist of panels, freeways, doors and wood slat panels between 4 structural posts. They are labeled as modules. **All C-F modules must be anchored into the floor at posts and all panels must be anchored into the floor using standard seismic anchors.**
- **Framed glass MUST be 3/8" laminated in SDC C-F.**
- **Maximum height is 96"H.**
- Minimum height is 86"H due to clearance needed for freeways and doors to meet 80"H clear opening.
- Panel runs are limited to 24"W minimum for four-sided modules.
- All modules can connect at structural posts in any direction.
- All dimensions are panel run length maximums (not including posts), unless otherwise noted.
- If Worksurface Mounting, worksurfaces must be ≤ 135lbs self weight at 42" AFF (60" x 72" worksurface max).
- If TV Mounting, TVs must be ≤ 60lbs at ≤ 78" AFF, ≤ 6" CG from Panel Surface, no pivot or articulating / extending arm allowed.
- Wood slat panel standard special sizes reminder:
  - Widths: 24"W, 30"W, 36"W, 42"W, 48"W
  - Heights: 96"H, 102"H, 108"H, 112"H, 120"H

## SDC C-F: Freestanding Panel Module Possibilities

1. 2 Wood Slat Runs between 2 Freeways
2. 1 Wood Slat Run with 3 Freeways
3. 2 Panel Runs between 1 Wood Slat Run and 1 Freeway (Must use at least 2 connected modules)



# SDC C-F: Freestanding Panels + Wood Slats

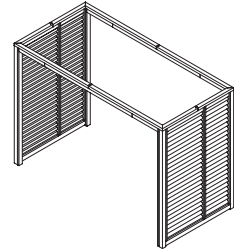
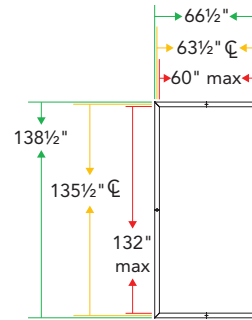
Working with Beyond®

## 1. Standalone / Connected

2 Wood Slat Runs between 2 Freeways

No TV mounting possible.

**Height Limitation: 96"H Maximum**



96"H Max

Wood Slats Planning Ideas:  
30"W + 30"W  
24"W + 36"W shown

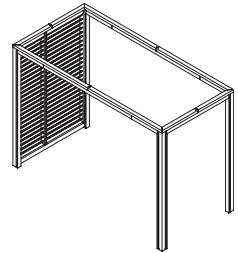
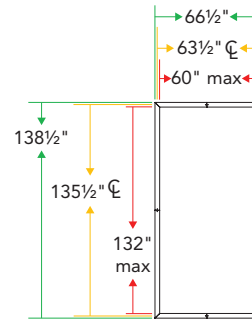
## 2. Standalone

1 Wood Slat Run with 3 Freeways

If this module is standalone as shown, wood slat run can be specified up to 60"W.

No TV mounting possible.

**Height Limitation: 96"H Maximum**



96"H Max

Wood Slats Planning Ideas:  
30"W + 30"W  
24"W + 36"W shown

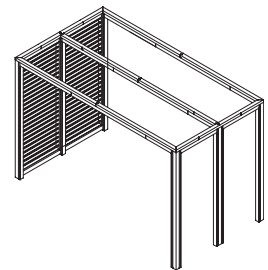
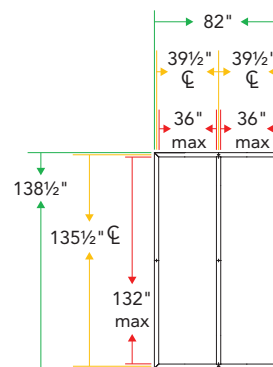
## 2. Connected

1 Wood Slat Run with 3 Freeways

If this module is connected to other modules on any side, the wood slat panels are limited to 36"W maximum.

No TV mounting possible.

**Height Limitation: 96"H Maximum**



96"H Max

Wood Slats Planning Ideas:  
36"W + 36"W

# SDC C-F: Freestanding Panels + Wood Slats

Working with Beyond®

### 3. Connected

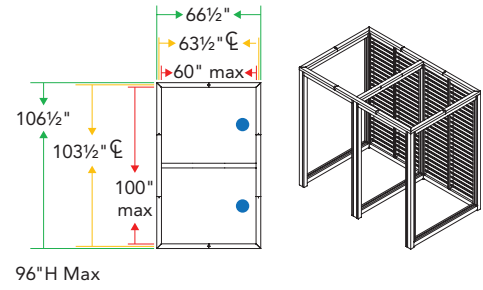
2 Framed / Solid Panel Runs between 1 Wood Slat Run and 1 Freeway

#### Height Limitation: 96"H Maximum

No modules can be connected to wood slat run.

Must specify at least 2 connected modules as shown.

- TV – anywhere along run



96"H Max

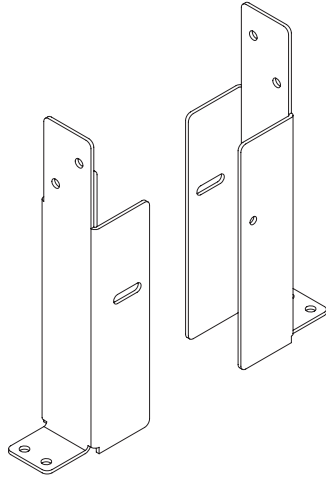
Wood Slats Planning Ideas:  
24"W x 4 = 96"W + post

# Beyond Supported Suspended Ceiling

Working with Beyond®

Suspended ceiling can be added to freestanding Beyond. Most components, including the suspended ceiling, are supplied by others. Allsteel provides the following components:

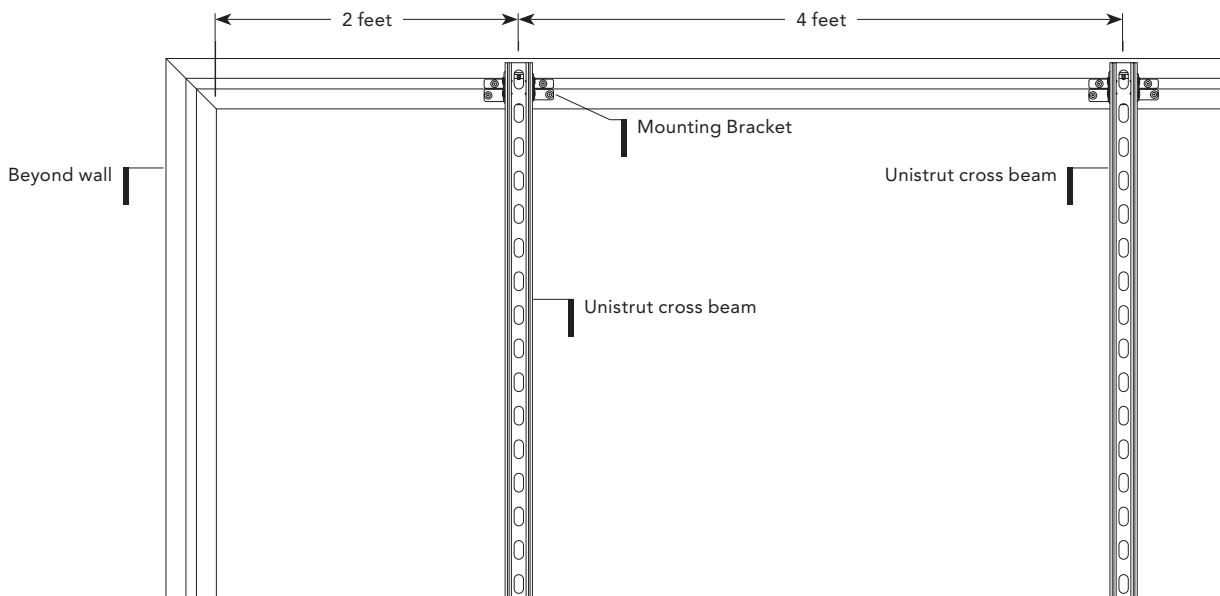
- Freestanding cornice - provides the structure to tie the Beyond walls together. See page 82 for specification details.
- Suspended Ceiling Mounting Brackets - brackets to support Unistrut® cross beams, attached to the cornice. QTY (2) brackets are required at every vertical seam in the ceiling trim.
- Flush mounted ceiling trim for flush ceiling applications. See page 118 for specification details.
- Integrated Ceiling Unistrut Mount Brackets.
- Qty 1 model consists of two bracket assemblies, which mount 1 Unistrut.
- New brackets are NOT backwards compatible. Physically taller than the current bracket to lift Unistrut the same distance as the cornice increased in height.
- Older Unistrut mount bracket to be de-emphasized.



Mounting Brackets

The ceiling structure hangs from the Unistrut cross beam supports (not provided by Allsteel). The maximum freestanding span in one direction with suspended ceiling is 12' 3/2".

The maximum distance between each Unistrut cross beam is 4 feet, as illustrated below.



- Review charts for required Unistrut® type per desired spacing, and per ceiling weight pounds per square foot.

- The charts below indicate the required Unistrut® crossbeam type per the desired spacing, and per ceiling weight pounds per square foot.

lbs./FT <sup>2</sup>	Span (FT) Support Every 4 ft			Support every 4 ft
	8	10	12	
1.00	P2000T	P2000	P1000-S	
1.25	P2000T	P1000T	P5500T	
1.50	P2000T	P1000T-S	P5500T	
1.75	P2000	P1000-S	P5500T	
2.00	P1100	P5500T	P5500T	
2.25	P1100	P5500T	P5500	
2.50	P1000	P5500T	P1001T	

lbs./FT <sup>2</sup>	Span (FT) Support Every 3 ft			Support every 3 ft
	8	10	12	
1.00	P2000T	P2000T	P1000	
1.25	P2000T	P2000	P1000T-S	
1.50	P2000T	P1100	P5500T	
1.75	P2000T	P1000	P5500T	
2.00	P2000T	P1000T-S	P5500T	
2.25	P2000	P1000-S	P5500T	
2.50	P2000	P1000-S	P5500T	

Ceiling Channel Support	Height	Width	Gauge	Single/Double	Perforations
P5000	3¼"	1⅝"	12	Single	No
P5000T	3¼"	1⅝"	12	Single	Yes
P1001	3¼"	1⅝"	12	Double	No
P1001T	3¼"	1⅝"	12	Double	Yes
P5500	2⅞"	1⅝"	12	Double	No
P5500T	2⅞"	1⅝"	12	Double	Yes
P1000-Side	1⅝"	1⅝"	12	Single	No
P1000T-Side	1⅝"	1⅝"	12	Single	Yes

Ceiling Channel Support	Height	Width	Gauge	Single/Double	Perforations
P1000	1⅝"	1⅝"	12	Single	No
P1000T	1⅝"	1⅝"	12	Single	Yes
P1100	1⅝"	1⅝"	14	Single	No
P1100T	1⅝"	1⅝"	14	Single	Yes
P2000	1⅝"	1⅝"	16	Single	No
P2000T	1⅝"	1⅝"	16	Single	Yes

- There are some additional guidelines regarding the Unistrut® crossbeam. The Unistrut must either be:
  - perpendicular to the main suspended ceiling rail,
  - or perpendicular to the grid support (strongback), if applicable.
- See below for ceiling support assembly examples with lighting clearance:
  - Standard Grid
    - Distance between the bottom of the Unistrut® support and the face of the ceiling grid = 5½".
    - B = Height of the suspended ceiling grid.
    - C = Clearance for the height of the ceiling light assembly.
    - 5½" – B = C
    - If light fixture height is > C but < 5½", mount the lighting fixture parallel to the Unistrut®, or plan for a more difficult assembly (cross rails put in after the light has been installed).
    - If light fixture height is > 5½", mount the lighting fixture parallel to the Unistrut®.
  - Grid with Support
    - Distance between the bottom of the Unistrut® support and the face of the ceiling grid = 5½".
    - D = Height of the suspended ceiling grid and grid support.
    - E = Clearance for the height of the ceiling light assembly.
    - 5½" – D = E
    - If light fixture height is > E but < 5½", mount the lighting fixture parallel to the Unistrut®, or plan for a more difficult assembly (cross rails put in after the light has been installed).
    - If light fixture height is > 5½", mount the lighting fixture parallel to the Unistrut®.

\* If C or E are greater than the height of the light fixture, then the light can be positioned in any orientation without interference.

# Beyond Supported Suspended Ceiling

Working with Beyond®

There are two main types of suspended ceilings that hang from the Unistrut support structure. The first type is flush mount, where the ceiling trim aligns flush with the Beyond panels; and the second type is overhang mount, which can overhang the Beyond panels up to 10 inches. The two options are detailed below and on the following page.

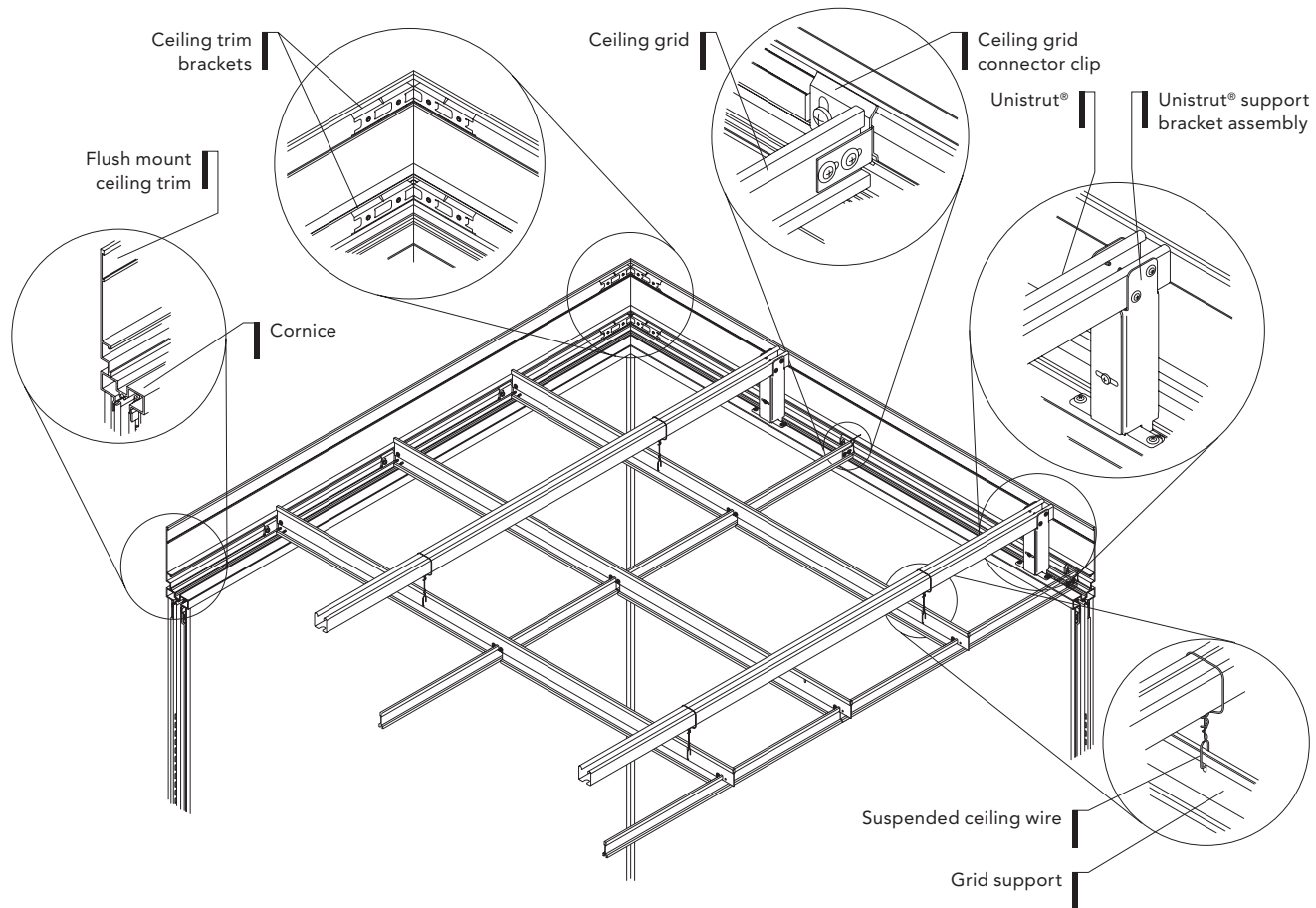
- Flush Mount Trim Option

- Supplied by Allsteel:

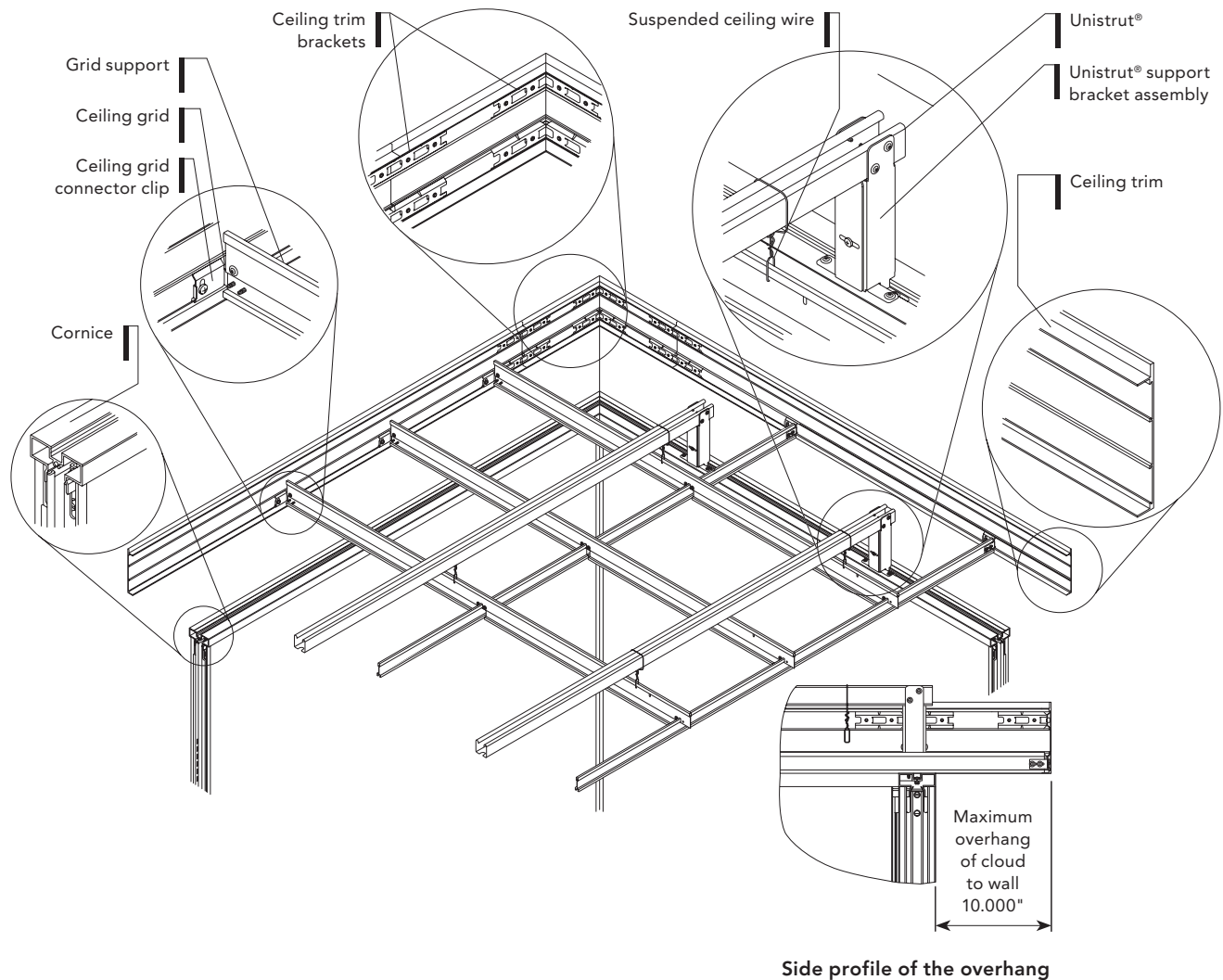
- Flush mount ceiling trim. Trim is 7" high and comes in 120" lengths.
- Mounting brackets to support Unistrut crossbeams. See page 118 for specification details.
- Freestanding cornice. See page 91 for specification details.

- Supplied by others:

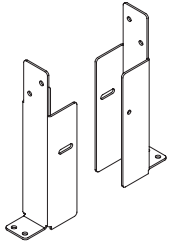
- Ceiling trim brackets
- Ceiling grid connector clips
- Unistrut® crossbeams
- Suspended ceiling wire
- Ceiling tiles
- Ceiling grid



- Overhang Trim Option
  - Maximum overhang is 10". Note - Allsteel does not provide ceiling trim with the overhang option.
  - Supplied by Allsteel:
    - Mounting brackets to support Unistrut crossbeams. See page 118 for specification details.
    - Freestanding cornice. See page 91 for specification details.
  - Supplied by others:
    - Ceiling trim
    - Ceiling trim brackets
    - Ceiling grid
    - Ceiling grid connector clips
    - Unistrut® crossbeams
    - Suspended ceiling wire
    - Ceiling tiles



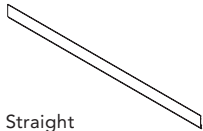
# Beyond Supported Suspended Ceiling Beyond® — Framed Glass & Solid Wall



Mounting Brackets

Base Model	Description	Specification
BY-FSSUSPBRKT	Suspended Ceiling Mounting Brackets	BY-FSSUSPBRKT

Specification Example: **BY-FSSUSPBRKT**



Straight

Base Model	Description	Specification
BY-FSCFLUSHTRIM	Flush Mounted Suspended Ceiling Trim	BY-FSCFLUSHTRIM

Configuration ID	Specification Description
Product	Beyond
Dimension	120"
Trim Type	Suspended Ceiling
Trim Use	Straight Inside Corner Outside Corner
Trim Style	Standard
Finish Color	Painted or Anodized Finishes

Product Beyond

Dimension 120"

Trim Type Suspended Ceiling

Trim Use  
Straight  
Inside Corner  
Outside Corner

Trim Style Standard

Finish Color Painted or Anodized Finishes

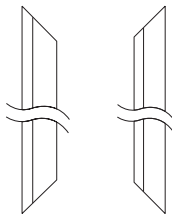


Profile View

Option	Specification Description	Specification
Paint Color Selection	3-digit painted or anodized finish	See <a href="#">Beyond Frame Finishes</a>

Paint Color Selection 3-digit painted or anodized finish

Specification Example: **BY-FSCFLUSHTRIM.####.P8X**



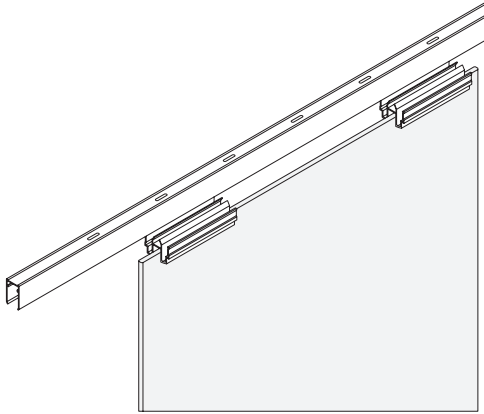
Outside Corner  
Top View

Inside Corner  
Top View

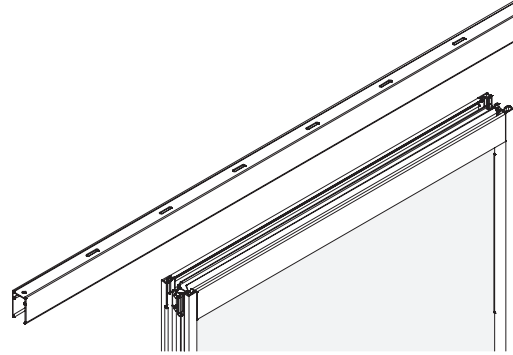
## Ceiling Channel

- Ceiling channels are the first component installed in the installation process and can be shipped and installed ahead of the panels. This part is universal and used to connect frameless, framed and solid panels to the ceiling or grid above.
  - A connection to a drywall header utilizes screws provided by the installer through a drywall layer into a ceiling stud or soffit header.
  - A connection to a ceiling grid utilizes non-defacing ceiling channel mounting clips.
- Ceiling channels are mitered at 90° corner conditions and come with end caps to finish exposed ends.
- The top of the panel frame in a framed/solid panel or ceiling brackets in a frameless panel connects with the ceiling channel to support the top of the panel.

### Frameless Glass



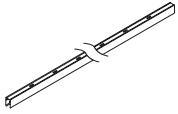
### Framed and Solid



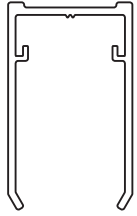


# Connecting to Ceiling

Beyond® — Frameless Glass



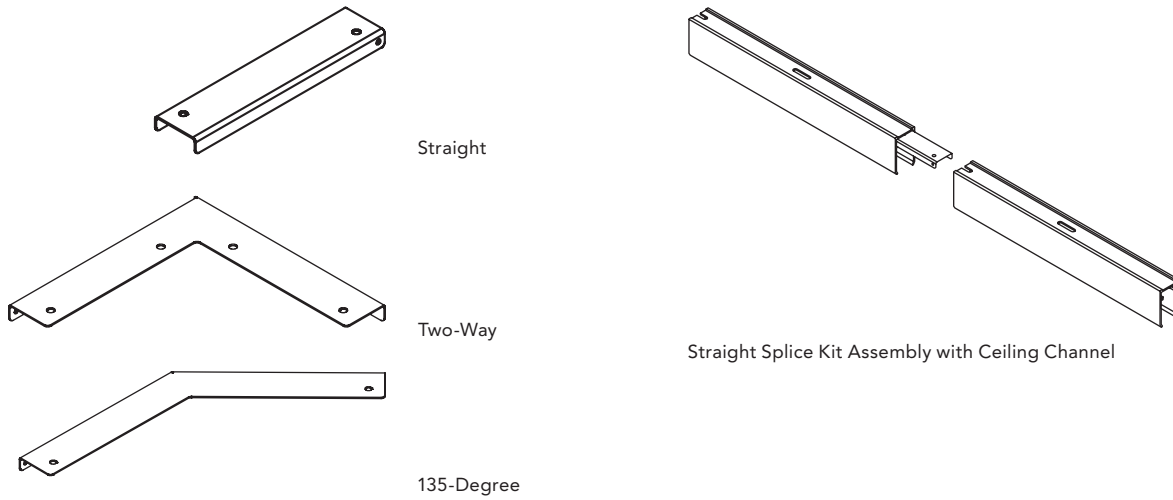
Ceiling Channel

Ceiling Channel:  
Profile View

Base Model	Description	Specification
BY-CCHANNEL	Ceiling Channel	BY-CCHANNEL
Configuration ID	Specification Description	
Product	Beyond	
Dimension	120"	
Trim Type	Ceiling Channel	
Trim Use	Universal	
Finish Color	Painted or Anodized Finishes	
Option	Specification Description	Specification
Paint Color Selection	3-digit painted or anodized finish	See <a href="#">Beyond Frame Finishes</a>

Specification Example: **BY-CCHANNEL.####.P8X**

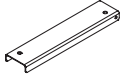
## Ceiling Channel Splice Kits



- To connect ceiling channels together, ceiling channel splice kits should be used at straight, two-way, and 135-degree connections. Splice kits provide alignment and mitigate light and sound transference.
- Specification Detail:
  - Specify when runs are over 10 feet.
  - Specify one straight splice kit for every 10 linear feet.
  - Splice kits should also be specified at two-way and 135-degree connections (QTY 1 per connection).
  - Straight splice kits are used across three-way vertical fillers in long runs.

# Connecting to Ceiling

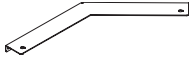
Beyond® — Frameless Glass



Straight



Two-Way

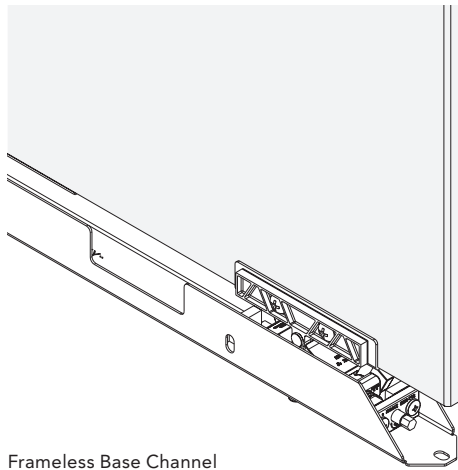


135-Degree

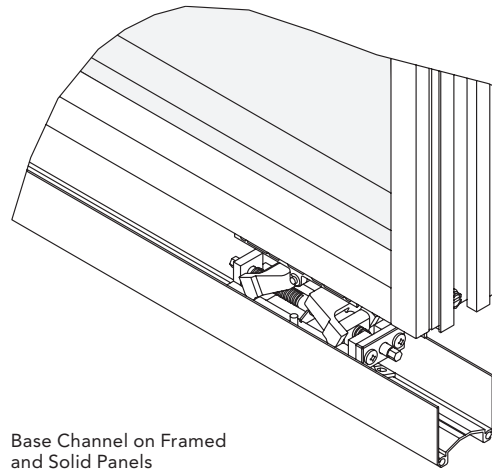
Base Model	Description	Specification
BY-CSPLICE	Ceiling Channel Splice	BY-CSPLICE

Option	Specification Description	Specification
Splice Type	Straight	CS
	Two-Way	CT
	135-Degree	C135

Specification Example: BY-CSPLICE.CS



Frameless Base Channel



Base Channel on Framed and Solid Panels

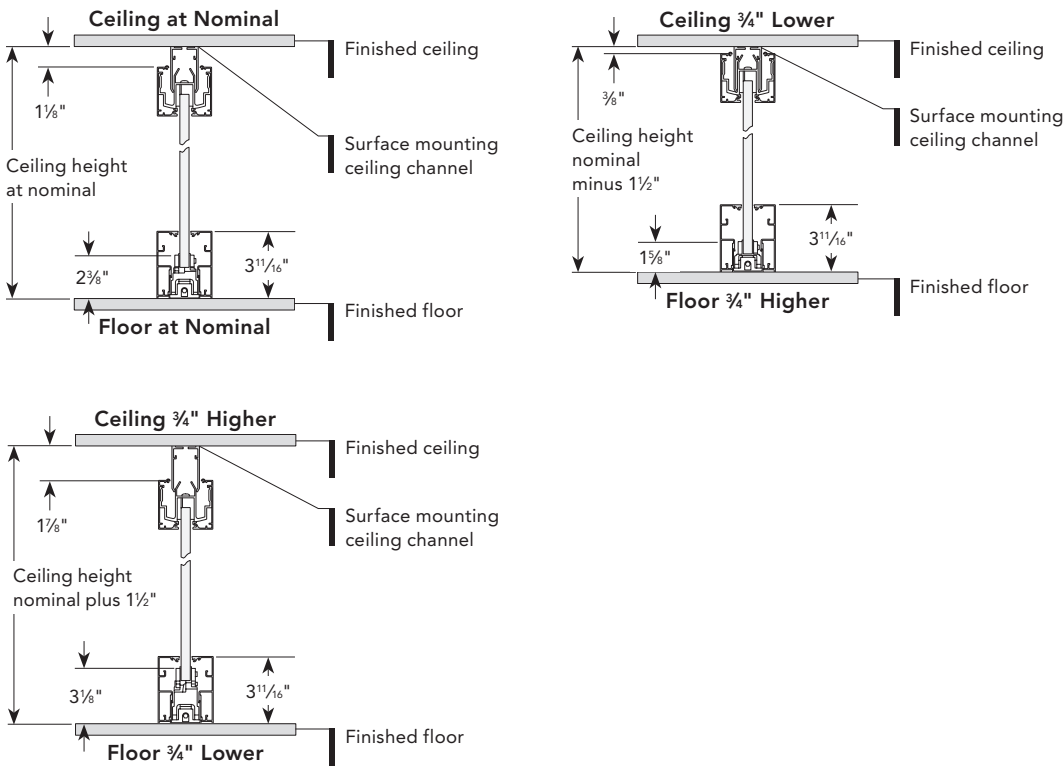
- Base channels are included as part of the factory-assembled unitized construction on all three types of Beyond panels (frameless, framed and solid). The base channel houses the leveling mechanisms and supports the weight of the panel.
- Base channels are non-defacing unless required by code or in seismic zones C-F.
- Patented scissor-lift leveling mechanisms are contained within the base channel and provide fast and easy leveling of the panel with a simple power tool.
- On framed and solid panels, the base channel flipper door pivots outward to provide access to the scissor-lift mechanism. The base channel and flipper doors are the same component in both standard and electrical base options. The base height difference for framed and solid is accommodated by utilizing a one inch taller scissor-lift mechanism for the electrical base.

## Leveling Capability

Patented scissor-lift mechanisms provide fast and easy leveling with a simple power tool adjustment. Beyond panels are shipped at the ordered height of the panel with the scissor-lift mechanism in the nominal position. Leveling capability in the base is  $\pm \frac{3}{4}$ " ( $1\frac{1}{2}$ " travel range) and allows for  $\pm \frac{3}{4}$ " float in the ceiling channel. These two dimensions are independent of each other. It is recommended that specifiers select a common panel height across a run.

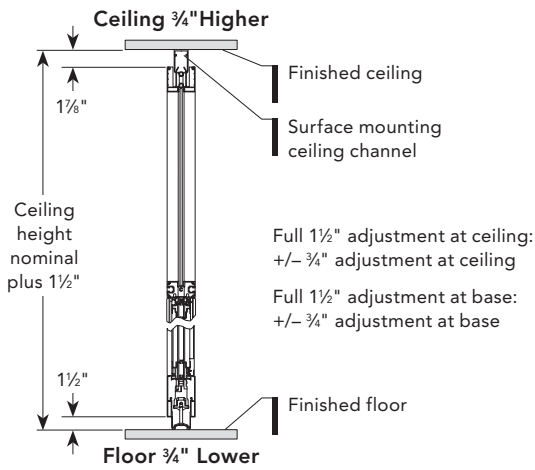
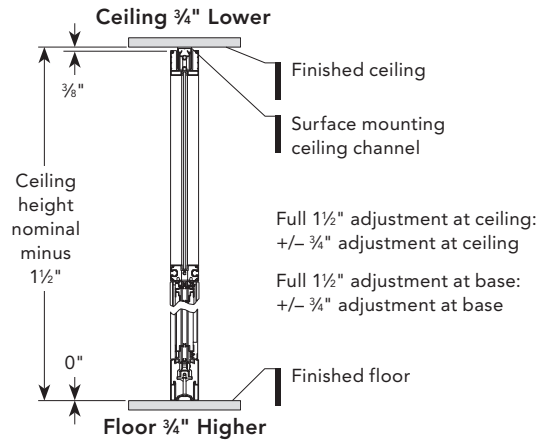
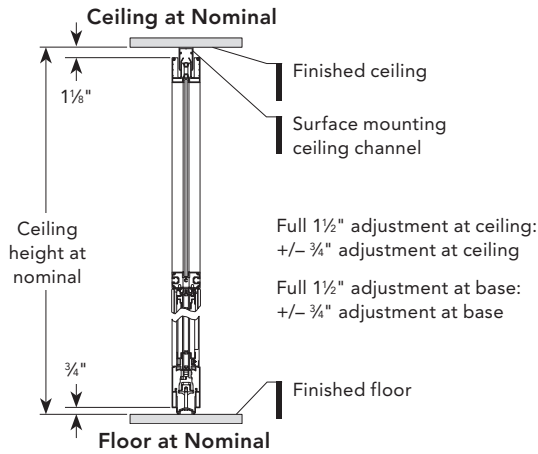
## Beyond Frameless

With frameless glass, the scissor-lift mechanism connects the glass to the floor channel. The glass is leveled independently from the base trim. Once the panel is level, the base trim is installed and remains flush with the floor for a clean aesthetic.



SEISMIC ZONES  
 CEILING CONNECTION & FREESTANDING  
 PANEL LEVELING  
 FRAMELESS  
 FRAMED AND SOLID  
 DOORS  
 CABANA  
 VIZ  
 NEW, REVISED, AND DISCONTINUED  
 APPENDIX

## Beyond Framed and Solid

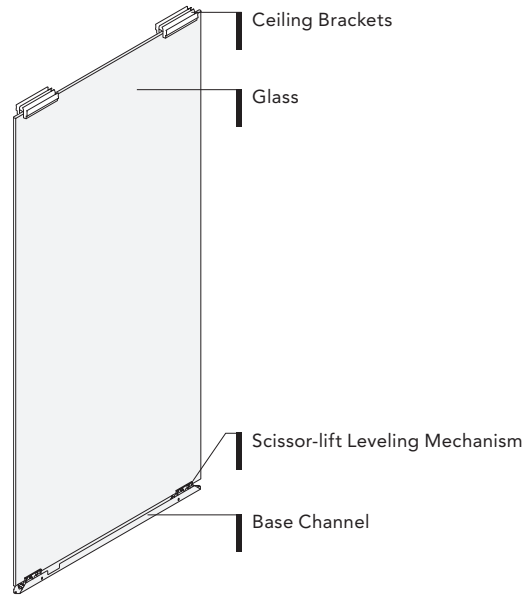


Beyond panels and trim are available in painted and anodized aluminum. [See Materials and Finishes for trim finish details.](#)

## Frameless Glass Panels



Frameless Panel



Frameless Panel

- Panel Dimensions

- Height
  - Min: 18"
  - Max: 120"
- Width
  - 8"-42" up to 120"H in 1/4" increments
  - 42 1/4"-48" up to 108"H in 1/4" increments
- Glass Thickness
  - 1/2"
  - For glass colors and types, please see Beyond Glass Information, page 36.
- Assembled Panel Thickness
  - 3" in depth at ceiling and base trim
- Orderable Increments
  - 1/4" for height and width

- Specification Notes

- Glass panels, posts, and associated components can be specified at 18" minimums. This allows for applications such as a clerestory window over drywall.
- Frameless privacy tile systems must use tempered, perforated glass. [See Frameless Glass Privacy Tile System for details.](#)
- Width of wall segment is determined by the dimension from the centerline of the vertical filler on one side of the segment to the centerline of the vertical filler on the opposite side of the segment.
- Actual wall panel width will be 5/16" less than specified wall panel width.
- Glass arris edge is designed with a double chamfer for a precision fit into vertical fillers. This provides for true modularity and no dimensional creep.

- Panel ships from factory fully unitized with ceiling brackets, scissor-lift leveling mechanism, base channel attached to glass. Each panel ships with 2 ceiling brackets and scissor-lift leveling mechanisms, unless the width of the panel is less than 18".
- Panel weight is supported at the bottom and base channels are non-defacing (unless anchoring is required by code or for seismic zones C-F).



Tempered Glass



Tempered Glass with Single Perforations



Laminated Glass

Base Model	Description	Specification
BY-FRMLSTPANEL	Frameless Glass Panel, Tempered	BY-FRMLSTPANEL
Configuration ID	Specification Description	
Product	Beyond	
Width	8"-42" up to 120"H in ¼" increments 42¼"-48" up to 108"H in ¼" increments	
Height	18"-120" In ¼" increments.	
Glass Code	HA: ½" Tempered, Clear HB: ½" Tempered, Low Iron	
Perforation Pattern	Will populate if selecting perforated glass: 1S, Single Perforations: Single or Double to the Base 1D, Double Perforations: Single or Double to the Base 2S, Single Perforations: Double Floating, Triple to the Base, Marker Board or Triple to the Base with Marker Board 2D, Double Perforations: Double Floating, Triple to the Base, Marker Board or Triple to the Base with Marker Board 3S, Single Perforations: Single with Modesty 3D, Double Perforations: Single with Modesty 4S, Single Perforations: Double with Modesty or Marker Board with Modesty 4D, Double Perforations: Double with Modesty or Marker Board with Modesty 5S, Single Perforations: Button Mount 5D, Double Perforations: Button Mount 6S, Single Perforations: Visual Distraction Markers at 54.67" AFF nominal 6D, Double Perforations: Visual Distraction Markers at 54.67" AFF nominal 7S, Single Perforations: TV Mount Height and TV Mount Height with Marker Board 7D, Double Perforations: TV Mount Height and TV Mount Height with Marker Board	

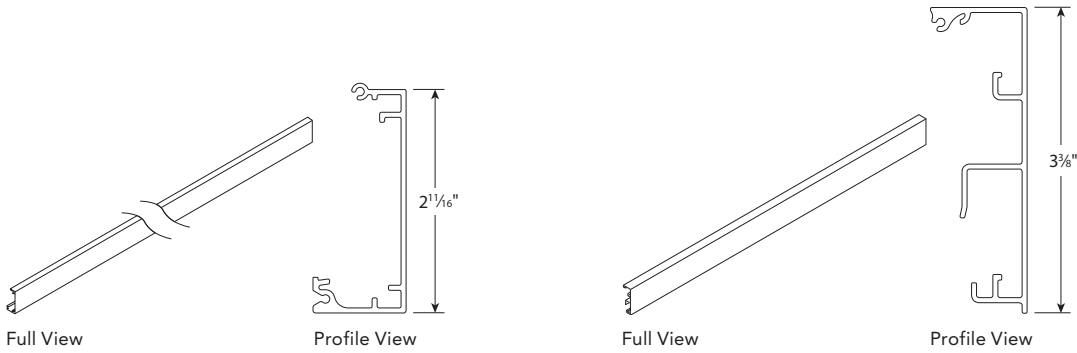
Specification Example: **BY-FRMLSTPANEL.#####**

Base Model	Description	Specification
BY-FRMLSLPANEL	Frameless Glass Panel, Laminated	BY-FRMLSLPANEL
Configuration ID	Specification Description	
Product	Beyond	
Width	8-42" up to 120"H in ¼" increments 42¼"-48" up to 108"H in ¼" increments	
Height	18"-120" In ¼" increments. See specification rules for details	
Glass code	HC: ½" Laminated, Clear HD: ½" Laminated, Low Iron HG: ½" Laminated, High Performance, Clear HH: ½" Laminated, High Performance, Low Iron	

Specification Example: **BY-FRMLSLPANEL.####**



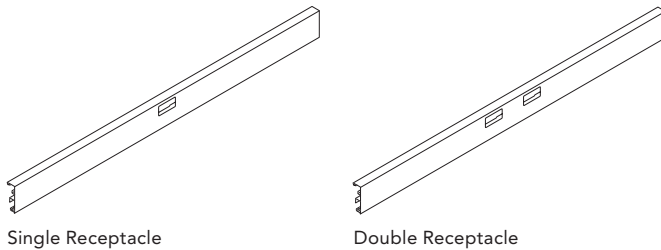
## Frameless Trim



### Ceiling Trim

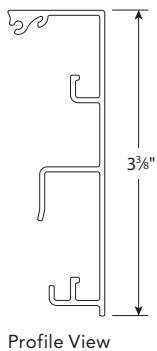
### Base Trim

- Base and ceiling trim are both available in 120" lengths. Trim attaches to both sides of the top or bottom on the panel and comes pre-mitered at 90 degree corners. At pre-mitered corners, trim can be specified in 96" lengths (previously 24" and 96"). Both ends are mitered so that it's non-handed, and one end will be cut straight in the field. Polymer gaskets between the trim and glass condition provide an acoustic seal.
- Ceiling trim is 2<sup>1</sup>/<sub>16</sub>"H and attaches to both sides of the ceiling channel "w" brackets that come pre-installed on the top of frameless glass wall panels.
- Base trim is 3<sup>1</sup>/<sub>16</sub>"H and attaches to the base channel of the unitized panel, allowing it to remain flush with the floor for a simple, clean aesthetic.



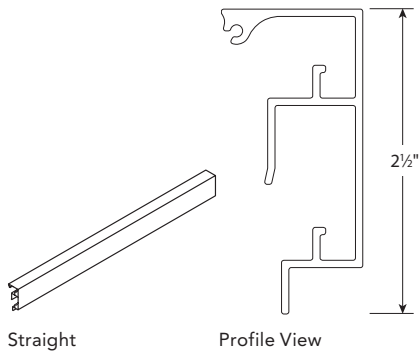
### Frameless Electrical Base Trim

- Specify the electrical base trim for modular electrical. [See Beyond Electrical section for details.](#)
- Electrical base trim is available in 48" lengths. Trim attaches to one or both sides of the bottom on the panel. Polymer gaskets between the trim and glass condition provide an acoustic seal.
- Base trim is 3<sup>1</sup>/<sub>16</sub>"H (the same dimension as the non-electrical base trim) and attaches to the base channel of the unitized panel, allowing it to remain flush with the floor for a simple, clean aesthetic.



SEISMIC ZONES  
CEILING CONNECTION & FREESTANDING  
PANEL LEVELING  
FRAMELESS  
FRAMED AND SOLID  
DOORS  
CABANA  
VIZ  
NEW, REVISED, AND DISCONTINUED  
APPENDIX

## Low Profile Base Trim

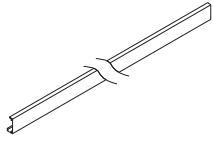


- Non-telescoping with a consistent reveal with the floor for a simple, clean aesthetic. Polymer gaskets between the trim and glass condition provide an acoustic seal.
- Low-profile base trim is 2½"H.
- Available in 120" lengths.
- Adjustment range restricted to +/- ¼".
- Trim is also available as pre-mitered inside and outside 90° corners in 96" lengths (previously 24" and 96"). Both ends of the trim are mitered so that it is non-handed, and one end will be cut straight in the field.
- Specification Notes
  - Depending on floor conditions, continuous runs longer than 20 linear feet may not be feasible with low-profile base trim.
  - Office front applications that start and stop at drywall or that use drywall end caps are preferred for low-profile base trim applications.
  - Floating rail-mounted privacy tiles may be used with low-profile base applications.
    - Full height privacy tile options as well as adjacent privacy tile sets cannot be used with low-profile base.
  - Button-mounted tiles cannot be used with low-profile base applications due to decreased leveling capability in the trim which may cause issues with tile alignment.
  - Modular electrical in the base is not available with low-profile base. For power, utilize electrical ported posts.
  - Due to the limited panel adjustment range, glass panels, frameless wall channels and adapters are ordered at a ½" taller height than nominal height. All other components remain at nominal height.
  - Floor conditions may require multiple frameless glass panel heights within a run.
    - Adjacent frameless glass panel height variability cannot exceed ¼" in height. The height variability resets at door frames.
  - Depending on building conditions, floating the unfinished floor may be required prior to finished floor material installation.
  - Additional time may be required for site measurements and installation due to limited adjustment height and multiple panel heights.

# Frameless Trim

Beyond® — Frameless

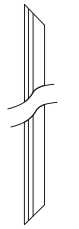
SEISMIC ZONES  
CEILING CONNECTION & FREESTANDING  
PANEL LEVELING  
FRAMELESS  
FRAMED AND SOLID  
DOORS  
CABANA  
VIZ  
NEW, REVISED, AND DISCONTINUED  
APPENDIX



Straight



Profile View



Inside Corner Top View



Outside Corner Top View

Base Model	Description	Specification
BY-FGCTRIM	Frameless Ceiling Trim	BY-FGCTRIM

Configuration ID	Specification Description
Product	Beyond

Product Type	Frameless Anodized Frameless Painted
--------------	---

Dimension	120" - Straight Trim 96" - Inside/Outside Corner Trim
-----------	--

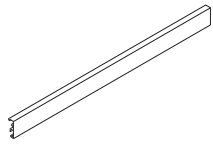
Trim Type	Top
-----------	-----

Trim Use	Straight Inside Corner Outside Corner
----------	---

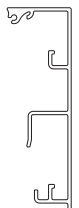
Finish Color	Painted or Anodized Finishes
--------------	------------------------------

Option	Specification Description	Specification
Paint Color Selection	3-digit painted or anodized finish	See <a href="#">Beyond Frame Finishes</a>

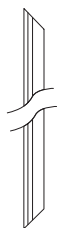
Specification Example: **BY-FGCTRIM.####.P8X**



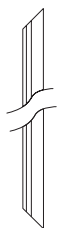
Straight



Profile View



Inside Corner Top View



Outside Corner Top View

Base Model	Description	Specification
BY-FGSBTRIM	Frameless Standard Base Trim	BY-FGSBTRIM

Configuration ID	Specification Description
Product	Beyond

Product Type	Frameless Anodized Frameless Painted
--------------	---

Dimension	120" - Straight Trim 96" - Inside/Outside Corner Trim
-----------	--

Trim Type	Base
-----------	------

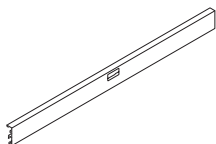
Trim Use	Straight Non Ported Inside Corner Outside Corner
----------	--

Trim Style	Standard
------------	----------

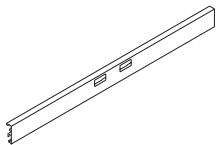
Finish Color	Painted or Anodized Finishes
--------------	------------------------------

Option	Specification Description	Specification
Paint Color Selection	3-digit painted or anodized finish	See <a href="#">Beyond Frame Finishes</a>

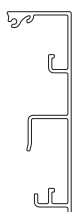
Specification Example: **BY-FGSBTRIM.####.P8X**



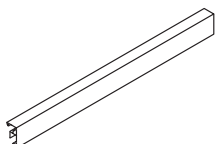
Single Receptacle



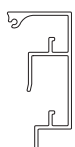
Double Receptacle



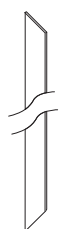
Profile View



Straight



Profile View



Inside Corner Top View



Outside Corner Top View

Base Model	Description	Specification
BY-FGEBTRIM	Frameless Electrical Base Trim	BY-FGEBTRIM

Configuration ID	Specification Description
------------------	---------------------------

Product	Beyond
Product Type	Frameless Anodized Frameless Painted
Dimension	48"
Trim Type	Base
Trim Use	Straight Ported
Trim Style	Standard
Port Type	Single Port Double Port
Finish Color	Painted or Anodized Finishes

Option	Specification Description	Specification
--------	---------------------------	---------------

Paint Color Selection	3-digit painted or anodized finish	See <a href="#">Beyond Frame Finishes</a>
-----------------------	------------------------------------	---

Specification Example: **BY-FGEBTRIM.####.P8X**

Base Model	Description	Specification
BY-FGLBTRIM	Frameless Low Profile Base Trim	BY-FGLBTRIM

Configuration ID	Specification Description
------------------	---------------------------

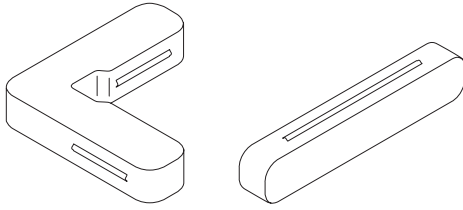
Product	Beyond
Product Type	Frameless Anodized Frameless Painted
Dimension	120" - Straight Trim 96" - Inside/Outside Corner Trim
Trim Type	Base
Trim Use	Straight Non Ported Inside Corner Outside Corner
Trim Style	Low Profile
Finish Color	Painted or Anodized Finishes

Option	Specification Description	Specification
--------	---------------------------	---------------

Paint Color Selection	3-digit painted or anodized finish	See <a href="#">Beyond Frame Finishes</a>
-----------------------	------------------------------------	---

Specification Example: **BY-FGLBTRIM.####.P8X**

## Frameless Trim Keys



Corner Key

Straight Key

- Trim keys are utilized to ensure proper alignment at straight and corner seams for frameless standard and low-profile base trim and ceiling trim.
- Two trim keys are used at each trim seam.
- Trim keys may be ordered in bulk pack quantities of 50 and 250.
  - For 50 keys or less, specify the 50 pack.
  - For 51 keys or more, specify the 250 pack.
- The number of keys should be specified as follows:

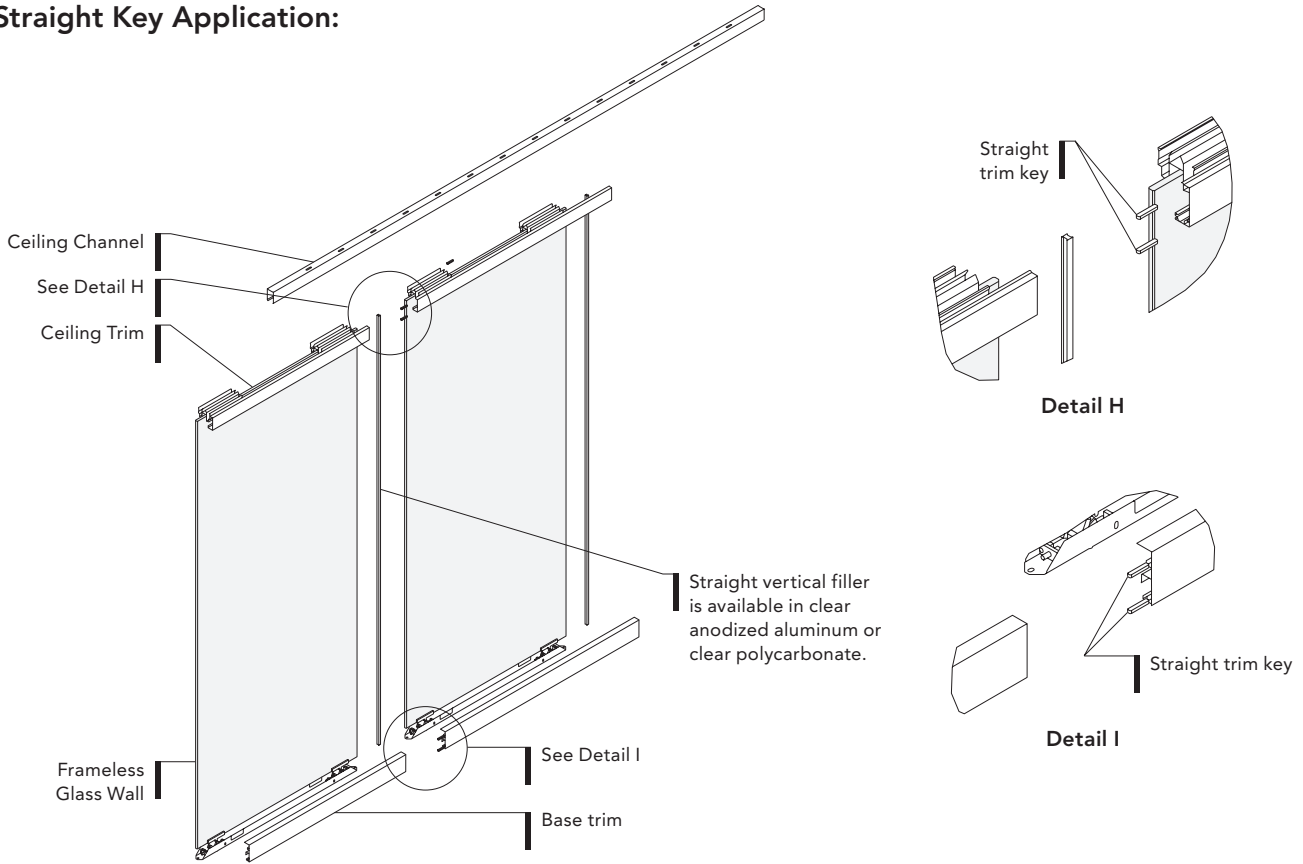
Type	Straight	Two-Way	Three-Way	Four-Way
Straight Keys	8	—	4*	—
Corner Keys	—	8	8	16

QTYs above assume that inside/outside ceiling and base trim is all seamed at the same location.

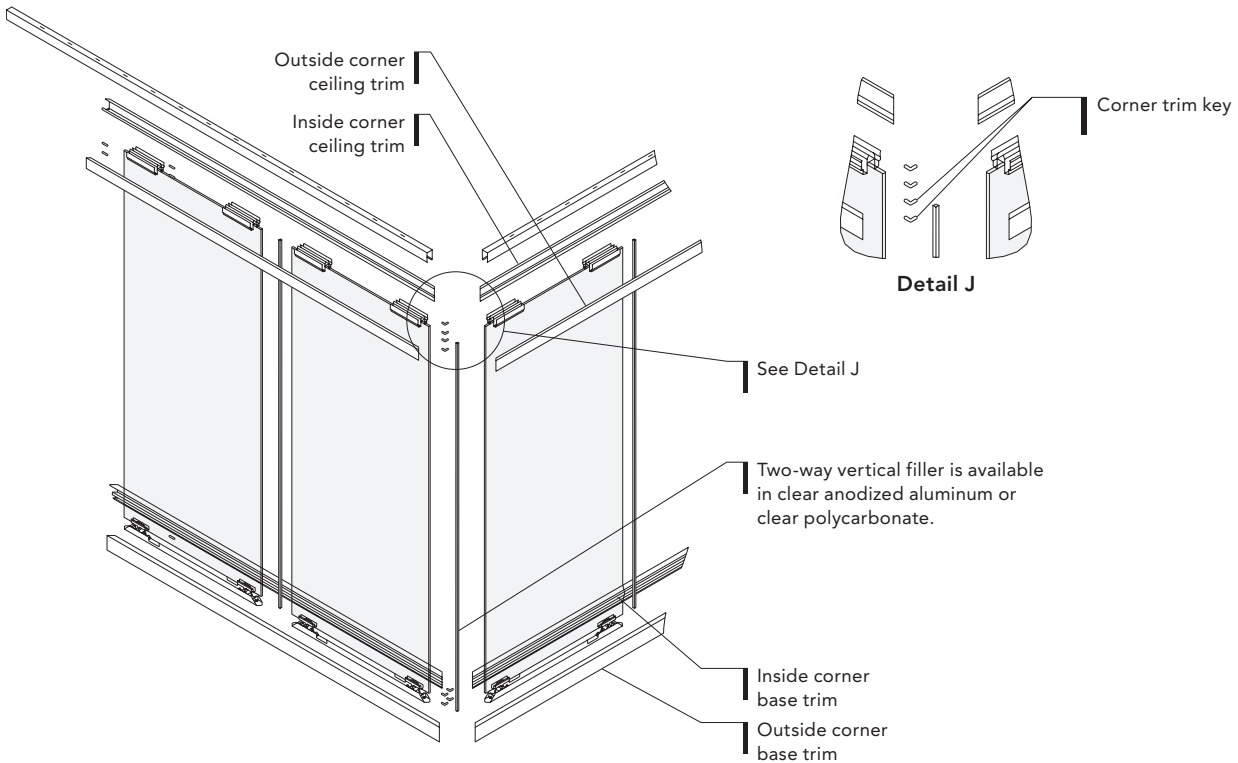
\*QTY (4) straight keys are only needed if outside trim is seamed at a three-way vertical filler. If the application allows, outside trim may span three-way vertical fillers when one 120" length of trim will cover the wall length.

SEISMIC ZONES  
 CEILING CONNECTION & FREESTANDING  
 PANEL LEVELING  
 FRAMELESS  
 FRAMED AND SOLID  
 DOORS  
 CABANA  
 VIZ  
 NEW, REVISED, AND DISCONTINUED  
 APPENDIX

## Straight Key Application:

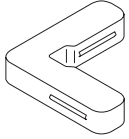


## Corner Key Application:

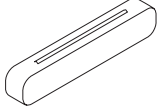


# Frameless Trim Keys

Beyond® — Frameless



Corner Key

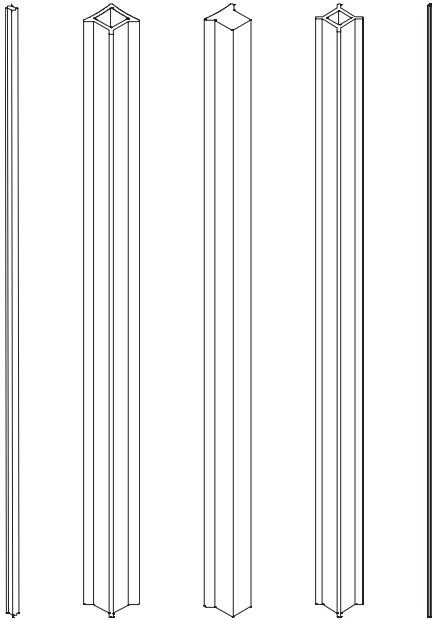


Straight Key

Base Model	Description	Specification
BY-FGTKEYS	Frameless Trim Keys	BY-FGTKEYS
Option	Specification Description	Specification
Key Type and Quantity	Straight Trim Keys	S
	QTY 50	50
	QTY 250	250
	Corner Trim Keys	L
	QTY 50	50
	QTY 250	250

Specification Example: **BY-FGBTKEYS.S50**

## Vertical Fillers



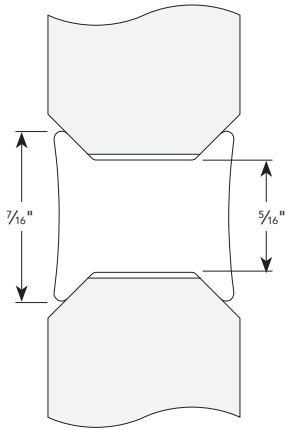
\*\*Clear Polycarbonate only

- Vertical fillers provide the connection between frameless glass wall panels.
- The unique shape of each vertical filler allows 1/2" glass wall panels to be fully modular, meaning each vertical filler shape can be swapped for another to allow different wall configurations without dimensional creep.
- Frameless glass wall panels are non-progressive and can be added, removed, or reconfigured without disrupting adjacent walls panels.
- Vertical fillers are attached with a clear double-sided VHB™ (Very High Bond) tape to eliminate the need to caulk or glaze the seams between frameless glass wall panels.
- Vertical fillers keep the installation clean. By eliminating any need for glazing, they also reduce the need for another trade on the job site.
- Vertical fillers are available in anodized or clear polycarbonate in straight, two-way, three-way, or 135-degree connection types. Four-way fillers are available in clear polycarbonate only.
- Specify vertical fillers at the same height as the frameless glass panel.
- Fillers can flex up to 3 degrees to accommodate minimal angles. Angles outside of the 3 degree flex would require the glass to be caulked in the field.
- If multiple panel heights are specified, vertical fillers can be ordered to the tallest nominal panel height and cut in the field.

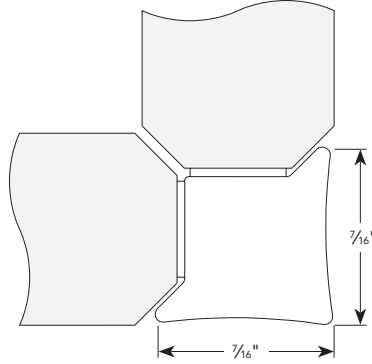


## Vertical Fillers-continued

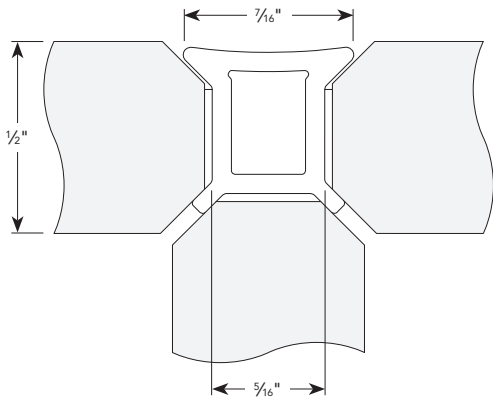
### Vertical Filler to Glass Wall Connections:



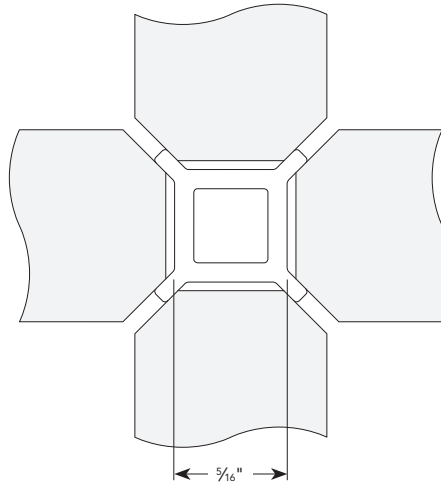
Straight



Two-Way



Three-Way



Four-Way

SEISMIC ZONES  
CEILING CONNECTION & FREESTANDING  
PANEL LEVELING  
FRAMELESS  
FRAMED AND SOLID  
DOORS  
CABANA  
VIZ  
NEW, REVISED, AND DISCONTINUED  
APPENDIX



Base Model	Description	Specification
BY-FGFILLER	Frameless Vertical Filler	BY-FGFILLER

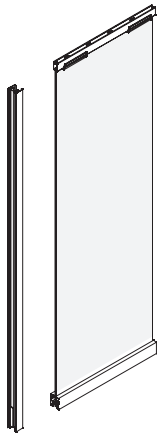
Configuration ID	Specification Description	Specification
Product	Beyond	
Dimension	120"	
Trim Type	Vertical Filler	
Trim Use	Straight Two Way Three Way Four Way Angle 135	
Trim Style	Clear Polycarbonate Anodized Aluminum	CPC SAL
Finish Color	See below	

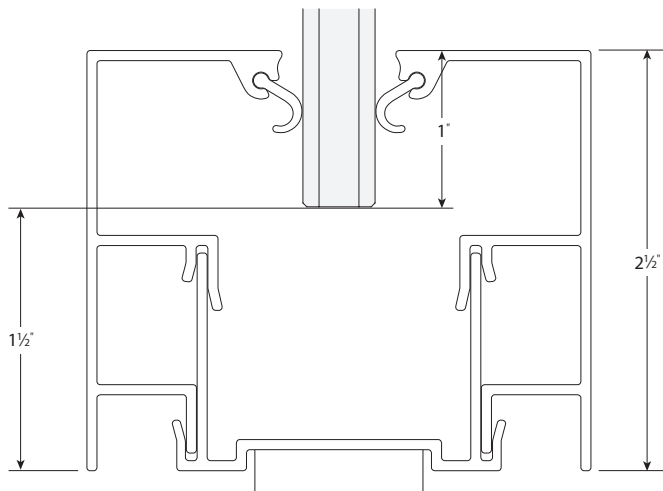
Option	Specification Description	Specification
Vertical Fillers	Clear Polycarbonate Clear Anodized Aluminum	CPC SAL

Specification Example: BY-FGFILLER.####.CPC

## Frameless Wall Channel



- Wall channels are used to connect frameless glass panels to drywall.
- Actual dimension of a wall channel is 2½"W.
- Planning dimension is 1½"W due to the glass nesting inside the wall channel so the wall channel only adds 1½" to the overall wall run.
- Wall channels offer +/- ¾" of adjustment.
- Specify at the same height as the adjacent frameless glass wall height.
- Wall channels for frameless glass consist of three main components. A u-channel with a foam gasket provides an acoustic seal and connects directly to the wall, utilizing the appropriate fasteners for the wall type. After the glass wall is installed, two covers interconnect with the u-channel to complete the installation. The covers incorporate a polymer extrusion to create an acoustic seal with the glass.





Base Model	Description	Specification
BY-FGWCHANNEL	Wall Channel	BY-FGWCHANNEL

Configuration ID	Specification Description
Product	Beyond
Product Type	Frameless Anodized Frameless Painted
Dimension	18"-120" In ¼" Increments
Trim Type	Wall Channel
Trim Use	Universal
Finish Color	Painted or Anodized Finishes

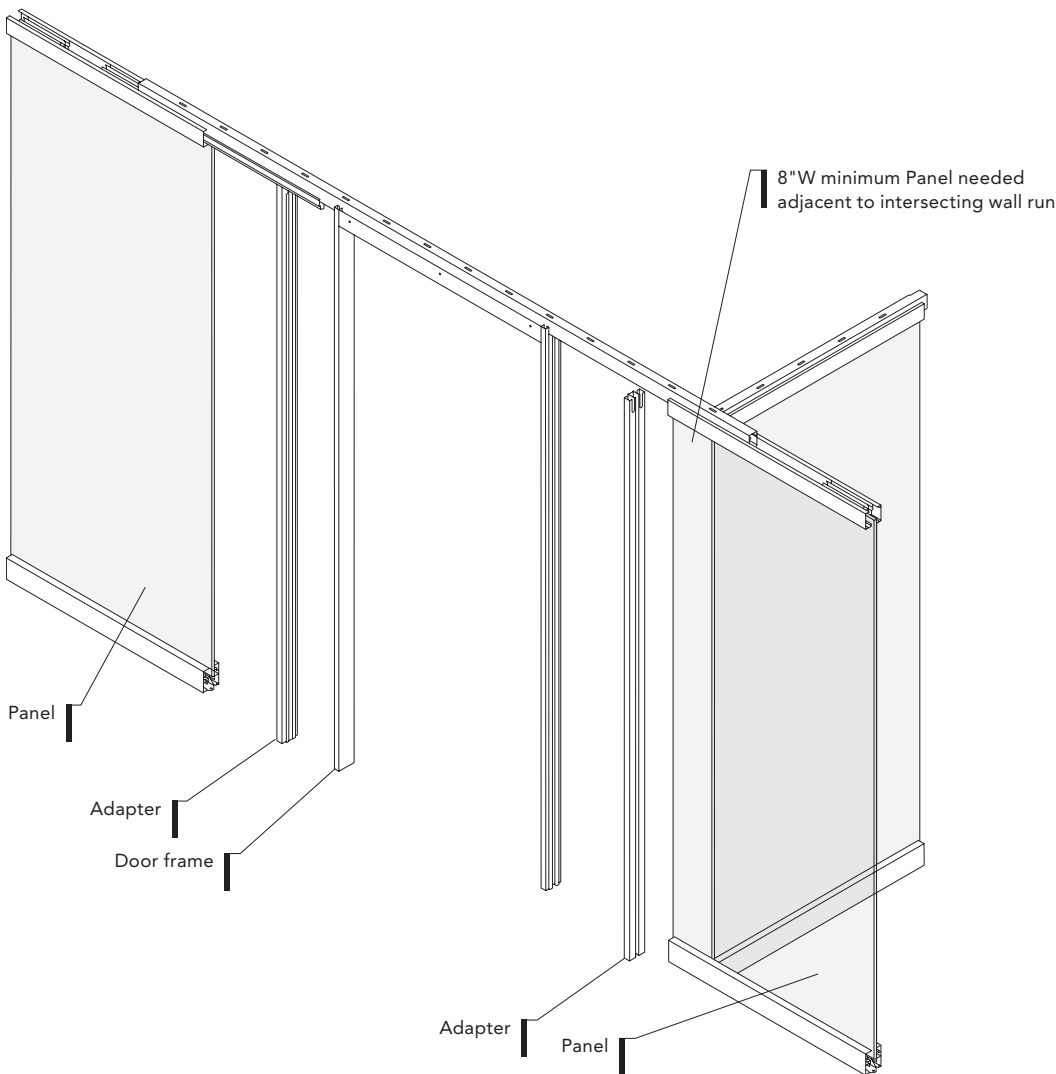
Option	Specification Description	Specification
Paint Color Selection	3-digit painted or anodized finish	See <a href="#">Beyond Frame Finishes</a>

*Specification Example: BY-FGWCHANNEL.####.P8X*

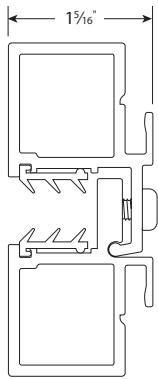
## Frameless Adapters

- Adapters are used to connect frameless glass wall panels to posts, door frames, or solid wall panels.
- Actual dimension of a swing door frame-to-frameless adapter is  $1\frac{3}{16}$ "W.
- Actual dimension of a sliding door frame/post/solid wall-to-frameless adapter is  $1\frac{3}{16}$ "W.
- Planning dimension for both adapters is a  $\frac{1}{2}$ " due to the glass nesting inside the adapter so that the adapter only adds a  $\frac{1}{2}$ " to the overall wall run.
- Adapters offer  $\pm \frac{1}{8}$ " of adjustment.
- Specify at the same height as the adjacent frameless glass wall height.
- Utilize the swing door frame-to-frameless adapter when connecting a frameless glass wall panel to center swing pivot or hinged door frames.
- Utilize the sliding door frame/post/solid wall-to-frameless adapter when connecting a frameless glass wall panel to sliding door frames, posts, or solid wall panels.
- Two zippers are used to connect each adapter to the post, door frame, or solid wall panel.

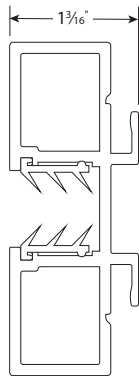
## Frameless Adapter to Door Frame Example:



## Connecting Frameless Glass to Solid and Doors



Swing Door  
Frame-to-Frameless  
Adapter



Sliding Door Frame/Post/Solid  
Wall-to-Frameless Adapter



Swing Door  
 Frame-to-Frameless  
 Adapter



Sliding Door Frame/  
 Post/Solid Wall-to-  
 Frameless Adapter

Base Model	Description	Specification
BY-FGADAPTER	Frameless-to-Solid/Door Adapter	BY-FGADAPTER

Configuration ID	Specification Description
Product	Beyond
Dimension	18"-120" In ¼" Increments
Trim Type	Door Adapter
Trim Use	Sliding Door Swing Door
Finish Color	Painted or Anodized Finishes

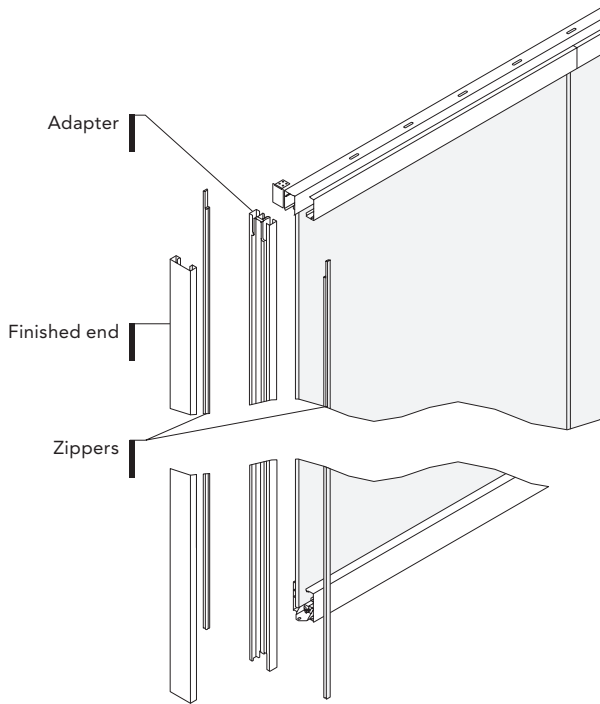
  

Option	Specification Description	Specification
Paint Color Selection	3-digit painted or anodized finish	See <a href="#">Beyond Frame Finishes</a>

Specification Example: **BY-FGADAPTER.####.P8X**

## Frameless Finished End

Finished ends are utilized at the end of frameless, framed and solid wall runs that do not terminate into drywall.



- Actual dimension of a finished end is  $2\frac{15}{32}$ " W.
- Planning dimension is  $1\frac{3}{4}$ " W due to the glass nesting inside the adapter.
- Finished ends offer  $\pm \frac{1}{8}$ " of adjustment.
- The finished end model is comprised of a finished end and an adapter to connect to a frameless glass wall panel. The two parts are connected using two zippers.
- Specify at the same height as the adjacent frameless glass wall panel.





Frameless Finished End

Base Model	Description	Specification
BY-FGEND	Frameless Glass Finished End	BY-FGEND
Configuration ID	Specification Description	
Product	Beyond	
Dimension	18"-120" In 1/4" Increments	
Trim Type	Post	
Trim Use	Finished End	
Trim Style	Standard Low Profile	
Finish Color	Painted or Anodized Finishes	
Option	Specification Description	Specification
Paint Color Selection	3-digit painted or anodized finish	See <a href="#">Beyond Frame Finishes</a>

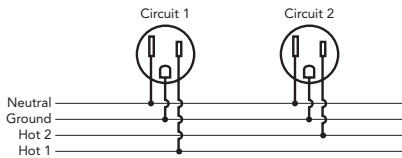
*Specification Example: BY-FGEND.####.P8X*

Beyond frameless panels offer two options for routing power.

- Modular electrical in the base.
  - Frameless Panels: 4-wire, 2-circuit system.
- Ported for hardwired electrical.
  - Frameless Panels: Ported post with junction boxes.

## Modular Electrical for Frameless Glass Walls

The 4-wire electrical system is a UL183-listed 2-circuit non-dedicated electrical system.

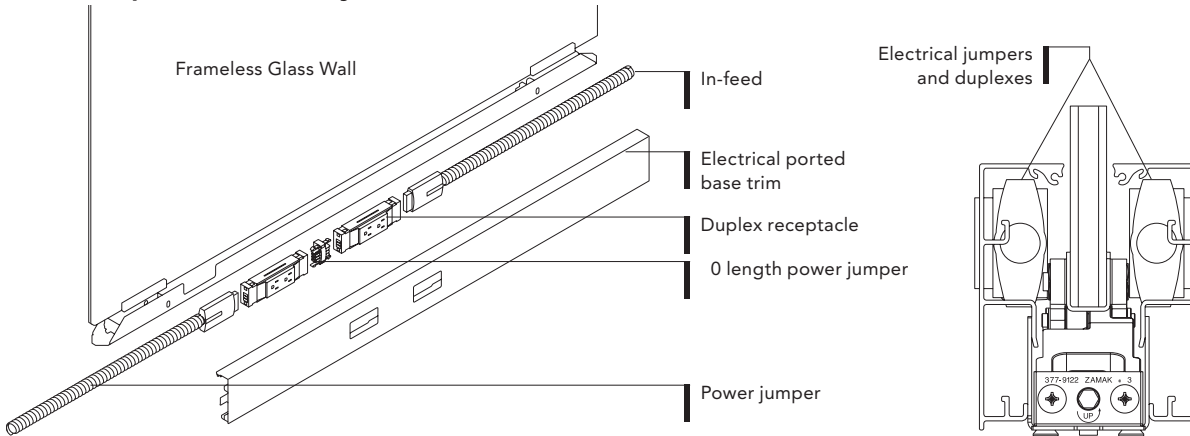


This electrical system has two hot wires, a shared neutral wire, and a shared ground wire. Each circuit is rated at 20 amps.

A maximum of 13 duplex receptacles is permitted per circuit. Each receptacle is rated at **15 amps**. Consult your electrician to ensure the planned electrical load is within permissible limits.

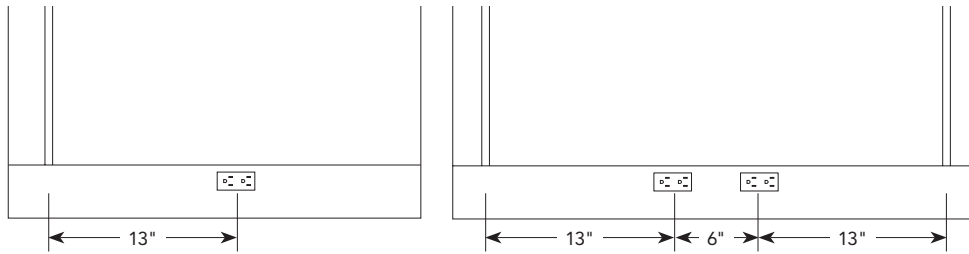
1. Determine location, quantity, and circuit number for duplex receptacles and power entry.
2. Electrical in-feed delivers power from building to system.
3. Power jumpers connect together duplex receptacles.

## Modular power assembly for Frameless Glass walls:



- Single power receptacles can be used on frameless glass walls that are 26" wide or wider.
- Double power receptacles can be used on frameless glass walls that are 32" wide or wider. When connecting double power receptacles, specify the 0 length power jumper (model BFG-AE4-DJ0S) to connect the receptacles together.

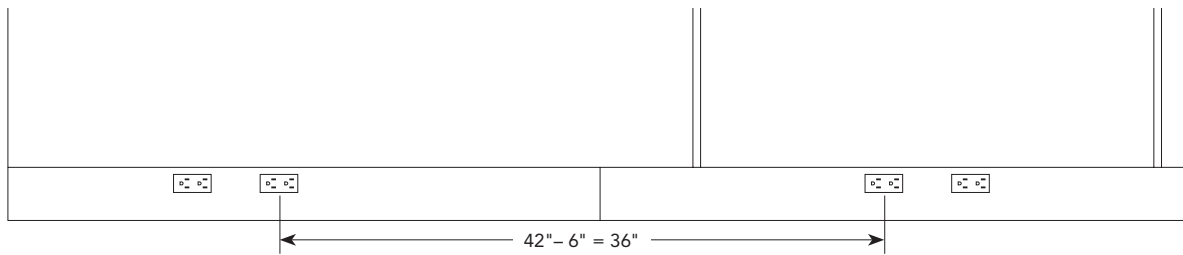
- The receptacles and power jumpers attach to and route through the base trim. Utilize the ported base trim model to provide access to receptacles. The centerline of the receptacle must be located a minimum of 13" from the edge of the wall to prevent interference with the scissor-lift assembly.



Single Receptacle

Double Receptacle

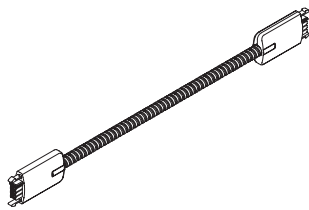
- Jumper length for connecting duplexes on separate walls is determined by the width of the receptacle centerline to receptacle centerline minus 6".



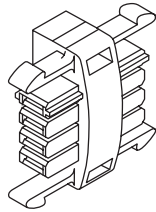
- Both sides of a frameless glass wall may be powered but requires a separate in-feed on each side of the glass.
- Modular power may not be used with low-profile base trim.
- It is the customer's responsibility to ensure that the installation of the electrical components meets all local and national building codes and all other applicable regulations.

## 4-Wire Electrical Components

### Power Jumpers



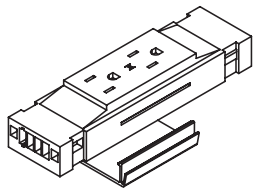
Power Jumper



0"W Power Jumper

- UL Listed 4-wire electrical system.
- Ability to route and conceal power in frameless glass base trim.
- Length of jumper is determined by the distance from centerline to centerline of the connecting receptacles minus 6 inches.
- A 0 length jumper is used to connect receptacle to receptacle in a double receptacle application.

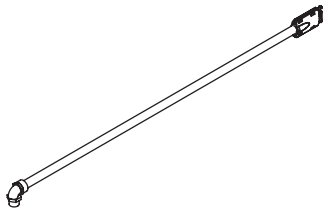
### Duplex Receptacles



Duplex Receptacle

- 4-wire receptacles are ordered separately for circuit 1 or 2. Please [see the materials and finishes section](#) for finish options for frameless electrical components.
- 4-wire in-feed cable or jumper plugs directly into each end of a 4-wire duplex receptacle.
- 4-wire receptacle adds 6" to length of electrical run.

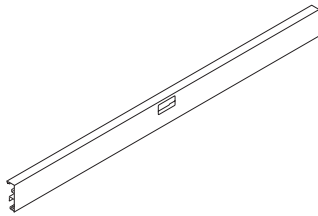
## Electrical In-feed Cable



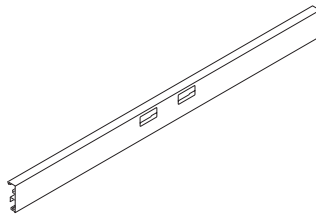
Base Electrical In-feed Cable

- Feed into the base trim through a field-ported hole in the top or the face of the base trim or from the ceiling through a wall channel, post or finished end.
- UL 183 listed to be exposed.
- Select quantity of in-feed cables depending on individual power requirements.
- Separate in-feeds are required when powering both sides of a frameless glass wall.

## Frameless Base Trim with Electrical/Data Ports



Single Receptacle

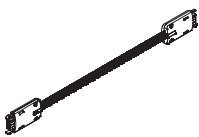


Double Receptacle

See page 131 for specification data

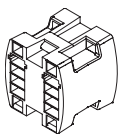
- Ported base trim is the same height as standard base trim.
- Ported base trim allows access to duplex receptacles or data ports.
- Available in single and double receptacle options.
- 48" in length.
- Mounting clip(s) are included to secure receptacle to the base trim.

## Male-to-Male Jumper, 4-Wire

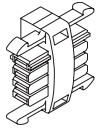
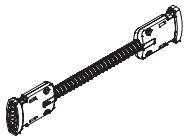


- Utilize to connect standard jumpers as a splice connection to lengthen a run.
- It is recommended that a maximum of (1) connector is used for optimal power through the cabling.

## H-Connector, 4-Wire



- Connects two 4-wire duplexes with a minimum distance between them.
- Allows splitting-off of another jumper to power other runs off the same in-feed.



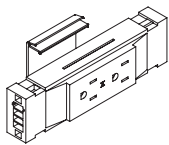
0"W

Base Model	Description	Specification
BY-FG4JUMPER	Jumper, 4-wire	BY-FG4JUMPER

Option	Specification Description	Specification
Length	0"W	2C-0W
	6"W	2C-6W
	12"W	2C-12W
	18"W	2C-18W
	24"W	2C-24W
	30"W	2C-30W
	36"W	2C-36W
	42"W	2C-42W
	48"W	2C-48W
	54"W	2C-54W
	60"W	2C-60W
	66"W	2C-66W
	72"W	2C-72W
	78"W	2C-78W
	84"W	2C-84W
	90"W	2C-90W
	96"W	2C-96W
102"W	2C-102W	
108"W	2C-108W	
114"W	2C-114W	
120"W	2C-120W	
126"W	2C-126W	
132"W	2C-132W	
138"W	2C-138W	
144"W	2C-144W	

Specification Example: **BY-FG4JUMPER.2C-144W**



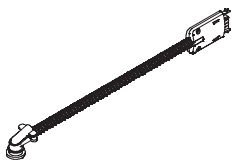
Duplex Receptacle

Base Model	Description	Specification
BY-FG4DUPLEX	Duplex, 4-Wire	BY-FG4DUPLEX

Option	Specification Description	Specification
Circuit Type	Circuit 1	2C-DC1
	Circuit 2	2C-DC2
	Circuit 1, Switched	2C-SDC1
	Circuit 2, Switched	2C-SDC2
Receptacle Data Color Options	2-digit electrical code	See <a href="#">Beyond Electrical Finishes - Frameless</a>

Specification Example: **BY-FG4DUPLEX.2C-DC1.E4**



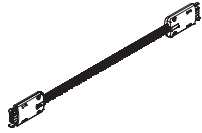
In-feed Cable

Base Model	Description	Specification
BY-FG4INFEED	In-Feed, 4-Wire	BY-FG4INFEED

Option	Specification Description	Specification
Length	72"W	2C-72W
	144"W	2C-144W
	216"W	2C-216W
	300"W	2C-300W

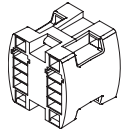
Specification Example: **BY-FG4INFEED.2C-300W**



Male-to-Male Conversion Power Jumper

Base Model	Description	Specification
BY-FG4MMJUMPER	Male-to-Male Jumper, 4-Wire	BY-FG4MMJUMPER

*Specification Example: BY-FG4MMJUMPER*



H Connector

Base Model	Description	Specification
BFG-AE4-HCONN	H-Connector, 4-Wire	BFG-AE4-HCONN

*Specification Example: BFG-AE4-HCONN*

## Data for Frameless Glass Walls

The frameless glass base trim can accommodate minimal routing of data wires. An AMP data port extender is required to install the data faceplate and jack in the base trim. The following data port extenders can be ordered from AMP:

- 1933468-1 (Black)
- 1933468-2 (Light Almond)
- 1933468-4 (Nema® Gray)

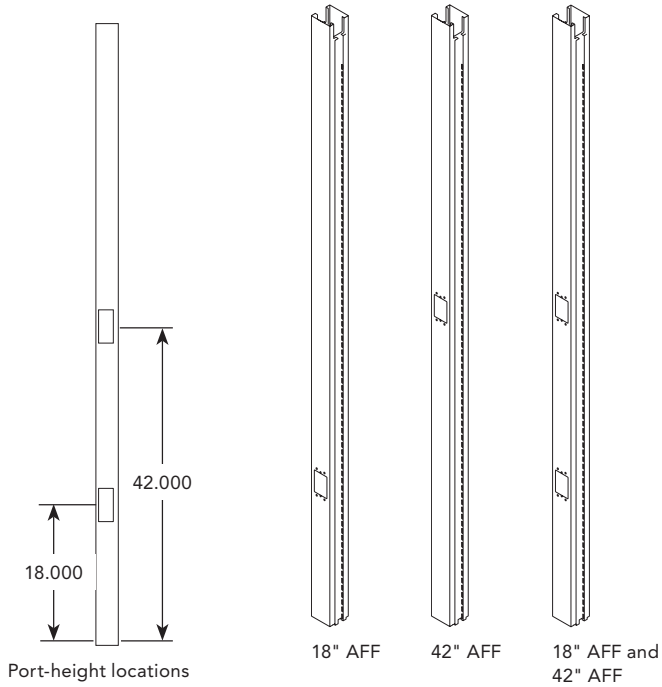
Limited data wires can run past the electrical in the base trim. It is recommended to keep data cabling to a minimum in frameless glass walls.

For privacy tiles “to the base,” the bottom rail overlaps the base trim. Depending on the data faceplate used, it may interfere with the snap feature.



## Hardwired Electrical Porting for Frameless Glass Walls

Frameless glass walls can be hardwired with power utilizing the in-line electrical post. Electrical posts ship with ports in the posts and junction boxes to be installed and wired by a certified electrician.

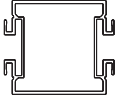


- Actual and planning dimension of an electrical ported post is 3½"W.
- Specify at nominal height for the run.

In-line electrical posts can connect directly to a door frame utilizing a zipper. They can connect to a frameless glass wall using a zipper and a frameless adapter.

Porting is available at 18" AFF, 42" AFF, or both 18" AFF and 42" AFF.

- 18" AFF indicates 18"H to the centerline of the receptacle above finished floor.
- 42" AFF indicates 42"H to the centerline of the receptacle above finished floor.
- In-line Electrical Ported Post
  - Height:
    - Nominal height in ¼" increments.
    - Panels: from 30" to 120" (previously down to 86").
    - Stacking panels: 9.5" minimum and for stacking panels with integrated mounting rail, minimum height is 10.5".
  - Port Locations and Quantities – Single or double port possible. Future state, a triple port option will be added. Port locations are parametric in ¼" increments (previously only 18" and 42"). Port locations must fall within rules outlined below:
    - Single port - 30" height minimum without modular electrical in the base.
    - 4" port height minimum without modular electrical in the base.
    - 8.25" port height minimum with modular electrical in the base.
    - 4.75" minimum distance between ports center-to-center with conduit routing away from other port.
    - 12.75" minimum distance between ports center-to-center with conduit routing towards the other port.
    - Double port - 42" height minimum for double port.
    - Recommended port placement:
      - 18" for under surface/ADA power
      - 30" for above surface power
      - 42" light switch height
  - Standard and stacking posts have been combined into one base model.



Profile View

Base Model	Description	Specification
BY-EPOST	In-line Electrical Ported Post	BY-EPOST

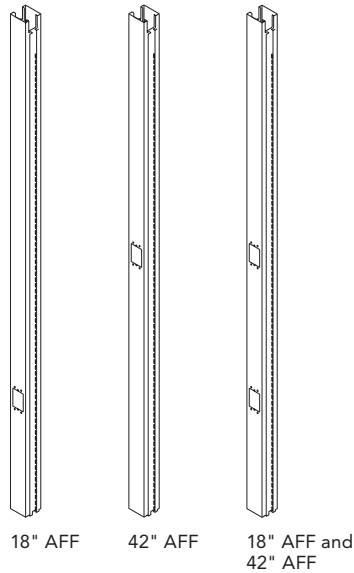
  

Configuration ID	Specification Description
Product	Beyond
Dimension	48" - 120" In 1/4" Increments
Trim Type	Post
Trim Use	Straight Ported
Trim Style	Electrical
Port Type	Single Port Double Port
Finish Color	Painted or Anodized Finishes

Option	Specification Description	Specification
Paint Color Selection	3-digit painted or anodized finish	See <a href="#">Beyond Frame Finishes</a>

Specification Example: **BY-EPOST.####.P8X**



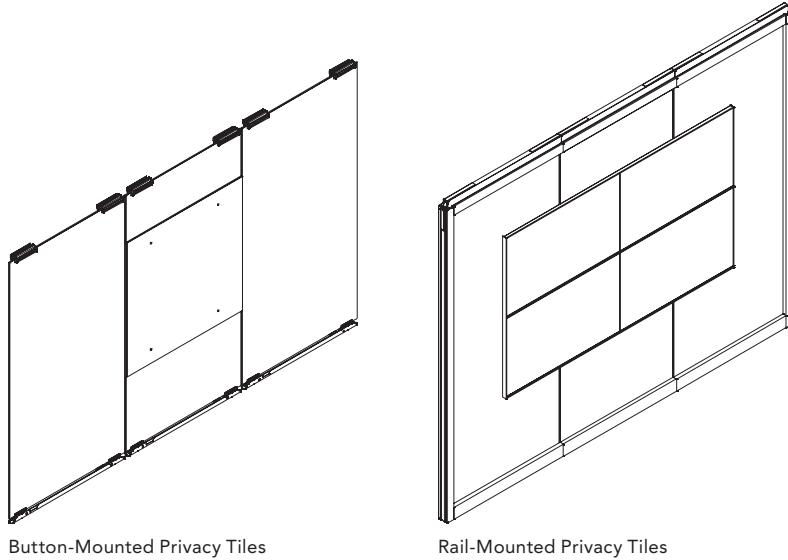
18" AFF

42" AFF

18" AFF and  
42" AFF

Privacy tiles can be added to frameless glass applications to add visual privacy. There are two ways to add privacy tiles to the system — through rail-mounting or through button-mounting. Both methods are described in the following pages. All applications of frameless privacy tiles and distraction markers must use tempered perforated glass to support the hanging tiles.

- Perforated glass wall panels are available in standard widths of 40", 42", and 48".
- Glass must be perforated to accept privacy tiles or distraction markers.
- Perforated glass wall panels can be rotated to have perforations on either edge at install (non-handed).
- Perforation patterns are designed to accept specific privacy tile configurations and are available in both single and double sets.

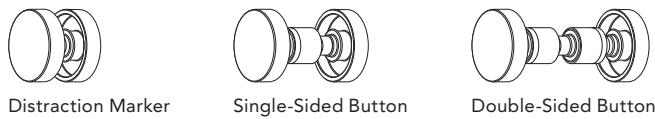


Button-Mounted Privacy Tiles

Rail-Mounted Privacy Tiles

## Button-Mounted Privacy Tile System

- The button-mounted privacy tile system suspends glass tiles from buttons attached through perforations in the glass.
  - Note that button-mounted privacy tiles cannot be adjacent to a frameless wall channel or frameless adapter due to glass installation issues (wall channels and adapters cannot accept the privacy tile glass).
- Buttons are available in the following configurations:
  - Single-sided to suspend a tile on one side of the frameless perforated glass wall.
  - Double-sided to suspend tiles on both sides of the frameless perforated glass wall.
  - As distraction markers or to fill a perforation when privacy tiles are removed.

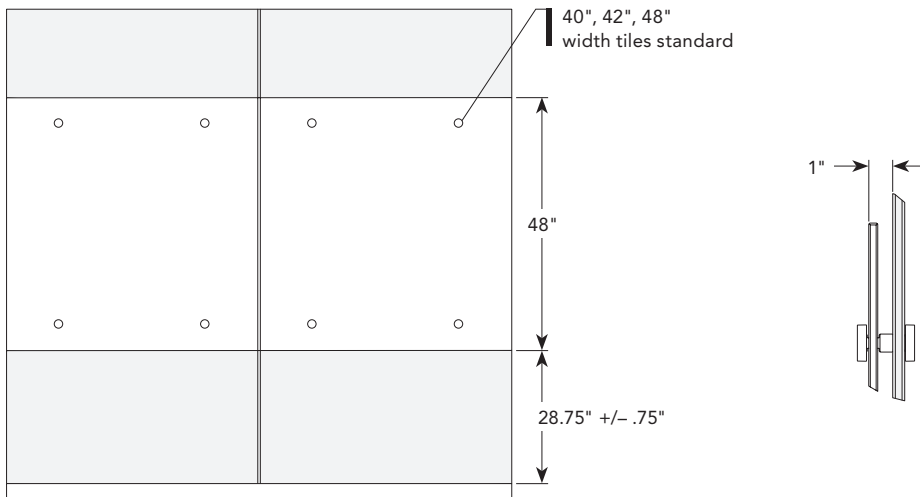


Distraction Marker

Single-Sided Button

Double-Sided Button

### Button-Mounted Tiles:



SEISMIC ZONES  
 CONNECTION & FREESTANDING  
 PANEL LEVELING  
 FRAMELESS  
 FRAMED AND SOLID  
 DOORS  
 CABANA  
 VIZ  
 NEW, REVISED, AND DISCONTINUED  
 APPENDIX

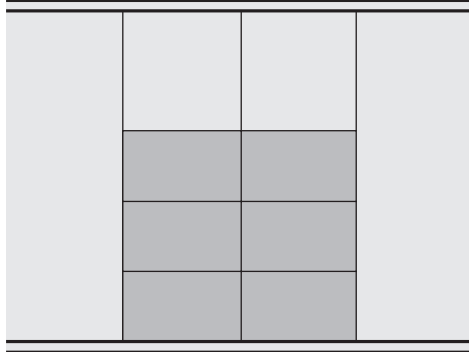
## Rail-Mounted Privacy Tile System

- The rail-mounted privacy tile system utilizes a wall tile kit and tiles that attach to rails mounted to frameless perforated glass panels.
  - Privacy tiles are available in a variety of materials including veneer, laminate, fabric, and marker board glass. Marker board glass for the rail-mounted privacy tile system is laminated. For custom colors, please contact Allsteel prior to submitting a special request.
  - Rail-mounted privacy tiles must always be used in double-sided applications, meaning that privacy tiles must be installed on both sides of the glass.
- Rail and trim kits include the extrusions and support rails to hang the tiles from the frameless perforated glass panels.
  - Kits are available in 80", 84", and 96" widths. Kits are 1½" deep and install flush with the face of the base trim.
    - Fabric, veneer, and laminate tiles always require QTY (2) tiles in width (i.e., QTY (2) 40"W tiles are required for the 80"W tile kit).
    - Marker board glass tiles are produced in full widths with QTY (1) tile.
  - Rail and trim kits include extrusions that wrap the exterior edge of the wall tiles to produce a finished edge.
  - Individual rails mount through the glass perforations and the tiles clip to these rails. The rails contain an integral channel that also supports shelves.
    - Shelves are available in glass.
- Multiple privacy tile kits may be mounted adjacent to each other but only with floating or "with modesty" options. Not allowed with "to the base" options.
  - When mounting adjacent privacy tile kits, wall panel widths must be the same width dimension.
- Overhead mounting is not allowed.
- TV Mount height trim kits are available for hanging a television on frameless privacy tiles. Hard-surface tiles must be used behind the television. Fabric or markerboard tiles are available on the opposite side of the television. [See Technology integration for more details.](#)
- Frameless Privacy Tiles – Rail-Mounted
  - To order rail-mounted privacy tiles, perforated glass, a privacy tile kit, and tiles need to be ordered.
    - Rail-mounted will be available in existing configurations:
      - Single
      - Single with Modesty
      - Double to the Base
      - Double Floating
      - Double with Modesty
      - Triple to the Base
      - Marker Board
      - Marker Board with Modesty
      - Triple to the Base with Marker Board
      - TV Mount Height
      - TV Mount Height with Marker Board
    - Specification rules:
      - Panel heights can go down to 86". The exception is the privacy tile configuration for TV mount height. 95" is the minimum panel height.
      - Tile widths and heights are unchanged.
      - Perforated glass panel is separate base model.

- Rail-mounted privacy tiles can be specified in two- or three-panel modules.

– **Two-Panel Module**

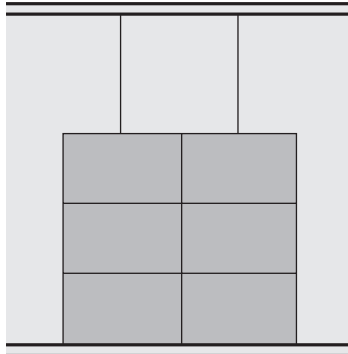
- The two-panel module is best for movability and flexibility.
- In this application, privacy tile kits are on module with two frameless perforated glass panels. The tile kit width must match the sum of the two panels (i.e., 84" tile kit mounts on module with QTY (2) 42"W panels).
- Utilize the double perforation patterns for both panels.



Example of Two-Panel Module (Triple to the Base)

– **Three-Panel Module**

- The three-panel module creates a unique aesthetic.
- In this application, privacy tile kits are centered on the middle frameless perforated glass panel and extend halfway into each adjacent panel.
- Utilize the double perforation patterns for the center panel.
- Utilize the single perforation patterns for the panels adjacent to the center panel.

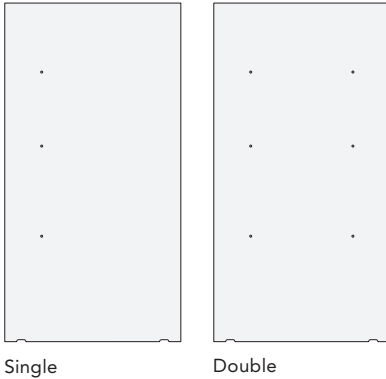


Example of Three-Panel Module (Triple to the Base)

SEISMIC ZONES  
CEILING CONNECTION & FREESTANDING  
PANEL LEVELING  
FRAMELESS  
FRAMED AND SOLID  
DOORS  
CABANA  
VIZ  
NEW, REVISED, AND DISCONTINUED  
APPENDIX

## Glass Perforation Patterns for Privacy Tile System

- Perforation patterns are available in single (one vertical set of perforations) and double (two vertical sets of perforations) applications.
  - A single perforation set is used when only one side of the wall panel needs to be perforated. Rail-mounted tiles specified using the three-panel module utilize single perforation sets on the outer two frameless glass wall panels with double perforation sets on the center middle frameless glass wall panel.
    - Specify single on the panels to the left and right of the middle segment.
    - Single perforation patterns provide one set of perforations 10" from both sides of the glass.
  - A double perforation set is used when the two-panel module is specified for rail-mounted privacy tiles or for the middle segment of the three-panel module.
    - Double perforation patterns provide two sets of perforations 10" from both sides of the glass.
    - Privacy tiles must use tempered glass.



### Perforation Patterns:

Pattern A1, Single Perforations: Single or Double to the Base
Pattern A1, Double Perforations: Single or Double to the Base
Pattern A2, Single Perforations: Double Floating, Triple to the Base, Marker Board or Triple to the Base with Marker Board
Pattern A2, Double Perforations: Double Floating, Triple to the Base, Marker Board or Triple to the Base with Marker Board
Pattern A3, Single Perforations: Single with Modesty
Pattern A3, Double Perforations: Single with Modesty
Pattern A4, Single Perforations: Double with Modesty or Marker Board with Modesty
Pattern A4, Double Perforations: Double with Modesty or Marker Board with Modesty
Pattern A5, Single Perforations: Button Mount
Pattern A5, Double Perforations: Button Mount
Pattern A6, Single Perforations: Visual Distraction Markers at 54.67" AFF nominal
Pattern A6, Double Perforations: Visual Distraction Markers at 54.67" AFF nominal
Pattern A7, Single Perforations: TV Mount Height and TV Mount Height with Marker Board - <b>Coming Soon!</b>
Pattern A7, Double Perforations: TV Mount Height and TV Mount Height with Marker Board - <b>Coming Soon!</b>

## Perforation Patterns – continued:

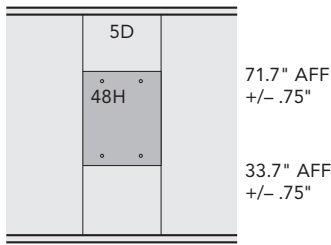


SEISMIC ZONES  
CEILING CONNECTION & FREESTANDING  
PANEL LEVELING  
FRAMELESS  
FRAMED AND SOLID  
DOORS  
CABANA  
VIZ  
NEW, REVISED, AND DISCONTINUED  
APPENDIX

## Privacy Tile Configuration Options:

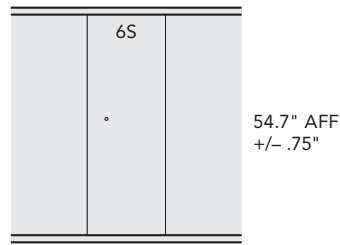
### Button Mount

40W – 42W – 48W

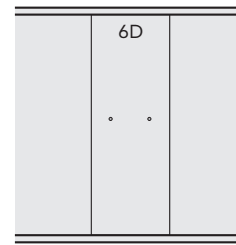


Single or Double-Sided

### Visual Distraction Markers



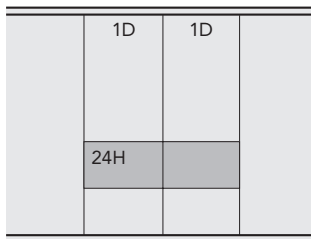
Single



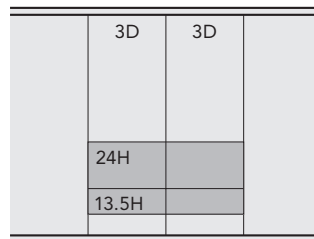
Double

### Rail Mount – Two-Panel Module

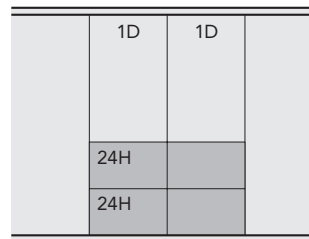
80W – 84W – 96W



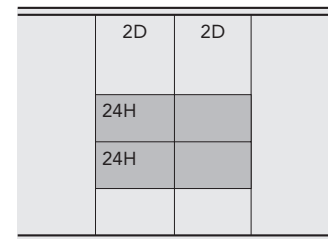
Single



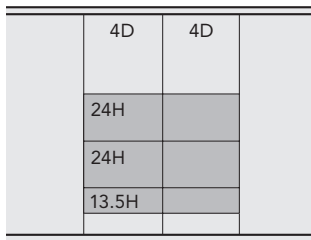
Single with Modesty



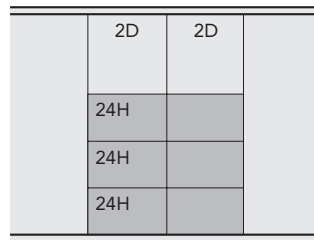
Double to the Base



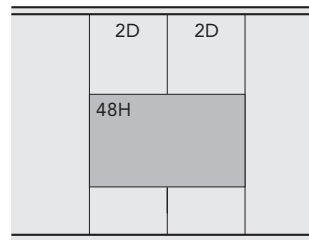
Double Floating



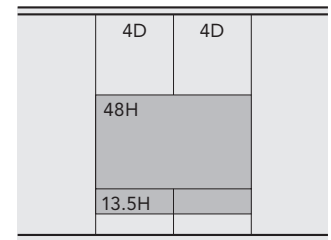
Double with Modesty



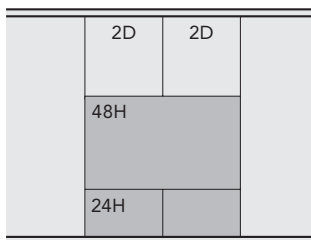
Triple to the Base



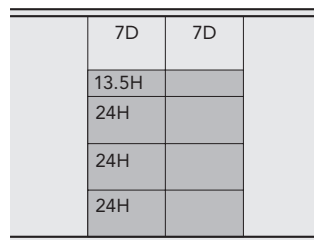
Marker Board



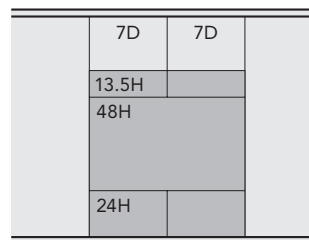
Marker Board with Modesty



Triple to the Base  
with Marker Board



TV Mount Height\*



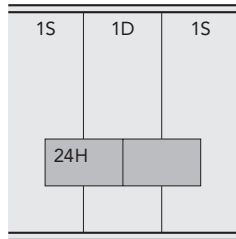
TV Mount Height\* with  
Marker Board on reverse side

\*TV Mount Height configurations require additional components and coordination to support technology integration.

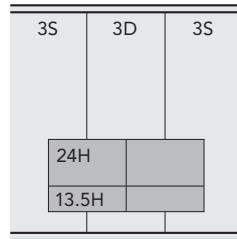


## Rail Mount – Three-Panel Module

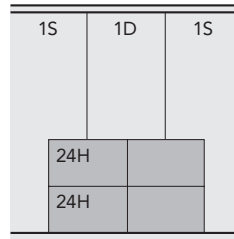
80W – 84W – 96W



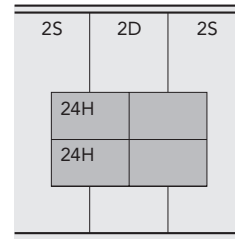
Single



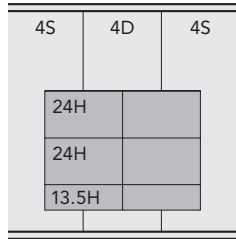
Single with Modesty



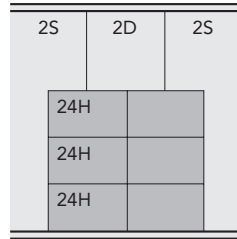
Double to the Base



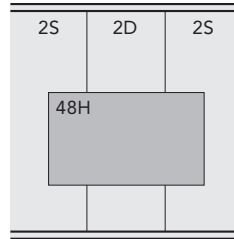
Double Floating



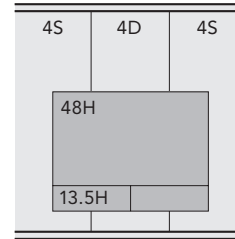
Double with Modesty



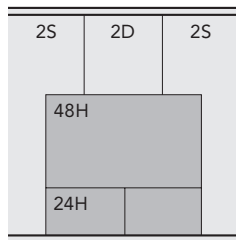
Triple to the Base



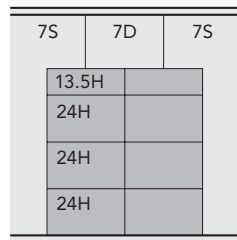
Marker Board



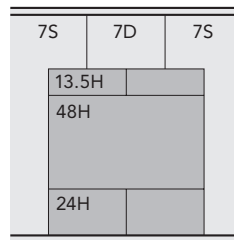
Marker Board with Modesty



Triple to the Base  
with Marker Board



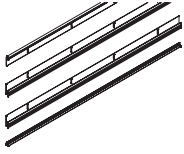
TV Mount Height\*



TV Mount Height\*  
with Marker Board on reverse side

\*TV Mount Height configurations require additional components and coordination to support technology integration.

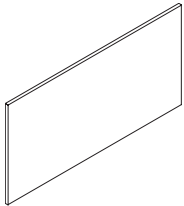
SEISMIC ZONES  
CEILING CONNECTION & FREESTANDING  
PANEL LEVELING  
FRAMELESS  
FRAMED AND SOLID  
DOORS  
CABANA  
VIZ  
NEW, REVISED, AND DISCONTINUED  
APPENDIX



Double to the Base - Trim Kit

Base Model	Description	Specification
BY-FGRTRIMKIT	Trim Kit	BY-FGRTRIMKIT
Configuration ID	Specification Description	
Application	Rail Tile Kit	
Module Type	Two Panel Base Two Panel Floating Three Panel Base Three Panel Floating	
Privacy Tile Configuration	Single Single with Modesty Double to the Base Double Floating Double with Modesty Triple to the Base Marker Board Marker Board with Modesty Triple to the Base with Marker Board TV Mount Height TV Mount Height with Marker Board	
Rail Configuration	Two Rail Three Rail Four Rail Five Rail Three Rail Marker Board Four Rail Marker Board	
Width	80"W 84"W 96"W	
Height	24" 37½" 48" 61½" 72" 85½"	
Finish Color	See <a href="#">Beyond Frame Finishes</a>	

Specification Example: BY-FGRTRIMKIT.####



Base Model	Description	Specification
BY-FGRTILEFAB	Rail-Mounted Fabric Tile	BY-FGRTILEFAB
Configuration ID	Specification Description	
Application	Rail Tile	
Width	40"W 42"W 48"W	
Height	13.5"H 24"H	
Tile Type	Fabric	
Tile Finish	See <a href="#">Beyond Fabric Finishes</a>	

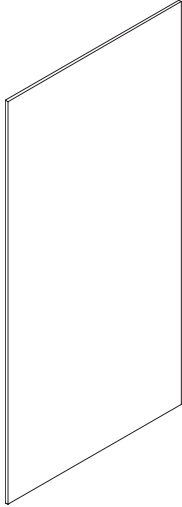
Option	Specification Description	Specification
Fabric Grade Selection and Color Option	Beyond Fabric	See <a href="#">Beyond Fabric Finishes</a>

Specification Example: BY-FGRTILEFAB.####.APN911

# Frameless Privacy Tile System

Beyond® — Rail-Mounted

SEISMIC ZONES  
CEILING CONNECTION & FREESTANDING  
PANEL LEVELING  
FRAMELESS  
FRAMED AND SOLID  
DOORS  
CABANA  
VIZ  
NEW, REVISED, AND DISCONTINUED  
APPENDIX

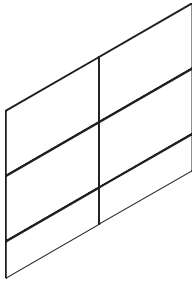


Base Model	Description	Specification
BY-FGRTILEVEN	Rail-Mounted Veneer Tile	BY-FGRTILEVEN

Configuration ID	Specification Description	
Application	Rail Tile	
Width	40"W 42"W 48"W	
Height	13.5"H 24"H	
Tile Type	Veneer	
FSC	FSC Certified Not FSC Certified	FSC X
Tile Finish	See <a href="#">Beyond Veneer Finishes</a>	
Port Location	Will populate if port is selected Left Right	

Option	Specification Description	Specification
FSC Option	FSC Certified Standard Wood (Not FSC Certified)	FSC X
Veneer Grade and Color Option	Beyond Veneer Finishes	See <a href="#">Beyond Veneer Finishes</a>

Specification Example: **BY-FGRTILEVEN.####.SC701**

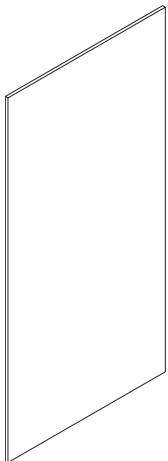
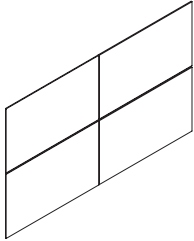
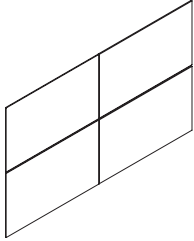


Base Model	Description	Specification
BY-FGTILEVSETM	Rail-Mounted Natural Veneer Privacy Set with Modesty	BY-FGTILEVSETM

Configuration ID	Specification Description	
Application	Rail Tile	
Width	80"W 84"W 96"W	
Height	13.5"H 37.5"H 61.5"	
Tile Type	Veneer	
FSC	FSC Certified Not FSC Certified	FSC X
Tile Finish	See <a href="#">Beyond Veneer Finishes</a>	

Option	Specification Description	Specification
FSC Option	FSC Certified Standard Wood (Not FSC Certified)	FSC X
Veneer Grade and Color Option	Beyond Veneer Finishes	See <a href="#">Beyond Veneer Finishes</a>

Specification Example: **BY-FGTILEVSETM.####.NC701**



Base Model	Description	Specification
BY-FGTILEVSETF	Rail-Mounted Natural Veneer Privacy Set, Floating or Base	BY-FGTILEVSETF

Configuration ID	Specification Description	Specification
Application	Rail Tile	
Width	80"W 84"W 96"W	
Height	24"H 48"H 72"H	
Tile Type	Veneer	
FSC	FSC Certified Not FSC Certified	FSC X
Tile Finish	See <a href="#">Beyond Veneer Finishes</a>	

Option	Specification Description	Specification
FSC Option	FSC Certified Standard Wood (Not FSC Certified)	FSC X
Veneer Grade and Color Option	Beyond Veneer Finishes	See <a href="#">Beyond Veneer Finishes</a>

Specification Example: BY-FGTILEVSETF.####.NC701

Base Model	Description	Specification
BY-FGRTILELAM	Rail-Mounted Laminate Tile	BY-FGRTILELAM

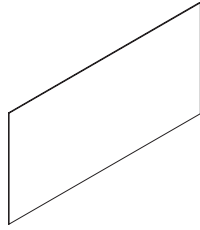
Configuration ID	Specification Description	Specification
Application	Rail Tile	
Width	40"W 42"W 48"W	
Height	13.5"H 24"H	
Tile Type	Laminate	
FSC	FSC Certified Not FSC Certified	FSC X
Tile Finish	See <a href="#">Beyond Laminate Finishes</a>	
Port Location	Will populate if port is selected Left Right	

Option	Specification Description	Specification
FSC Option	FSC Certified Standard Wood (Not FSC Certified)	FSC X
Laminate Grade and Color Option	Beyond Laminate Finishes	See <a href="#">Beyond Laminate Finishes</a>

Specification Example: BY-FGRTILELAM.####.LM13

# Frameless Privacy Tile System

Beyond® — Rail-Mounted

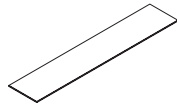


Base Model	Description	Specification
BY-FGRTILEGMB	Rail-Mounted Glass Marker Board Tile	BY-FGRTILEGMB

Configuration ID	Specification Description
Application	Rail Tile
Width	80"W 84"W 96"W
Height	24"H 48"H
Tile Type	Glass Marker Board
Tile Finish	See below

Option	Specification Description	Specification
Glass Selection	5/16" Laminated, Low Iron, Marker Board, Magnetic	QW

Specification Example: BY-FGRTILEGMB.####.QW



Shelf

Base Model	Description	Specification
BY-FGRSHELF	Rail-Mounted Glass Shelf	BY-FGRSHELF

Option	Specification Description	Specification
Width	24"W 40"W 42"W 48"W	24 40 42 48
Glass Selection	QA: 1/4" Tempered, Clear	QA

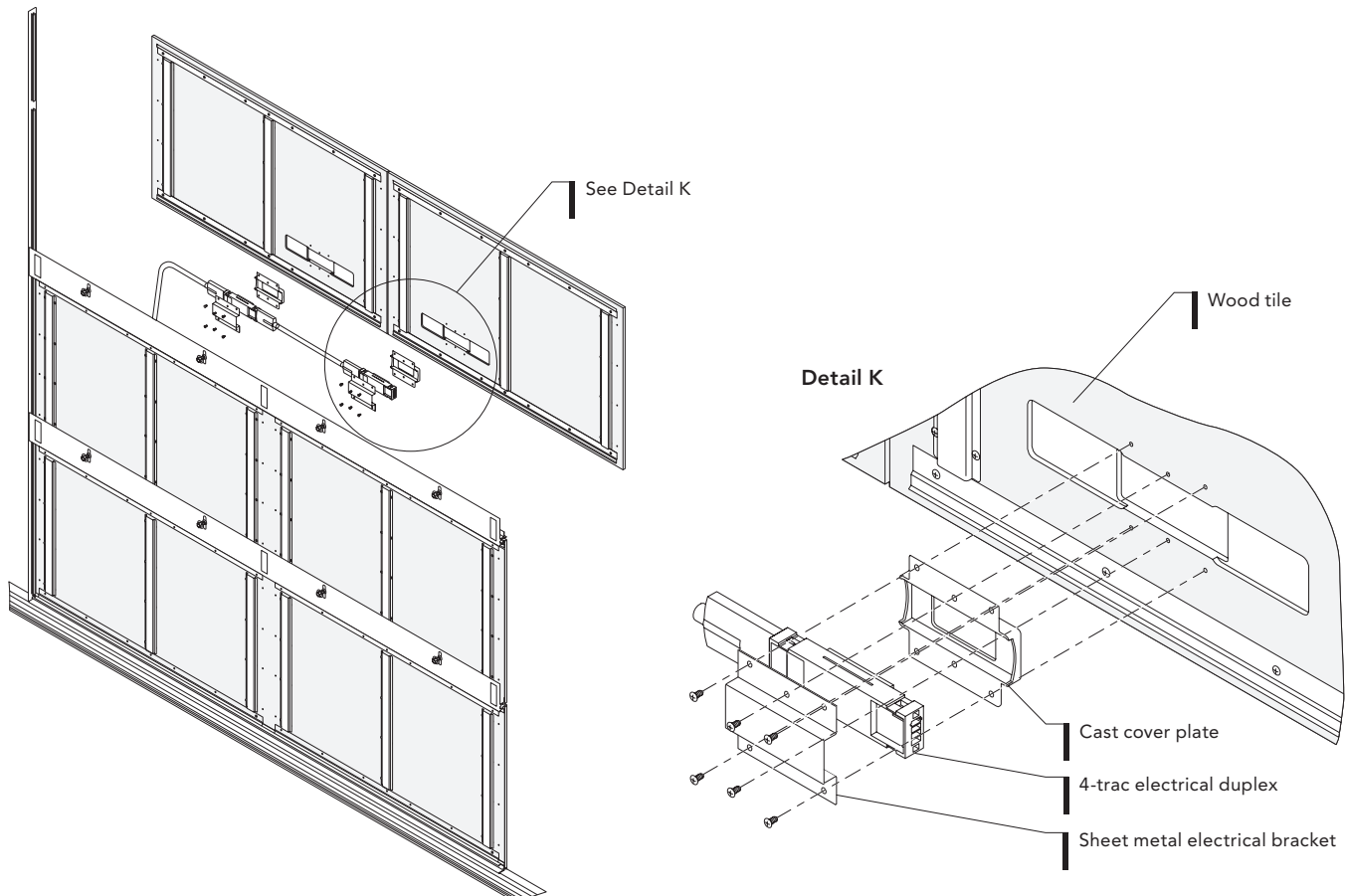
Specification Example: BY-FGRSHELF.24.QA

SEISMIC ZONES  
CEILING CONNECTION & FREESTANDING  
PANEL LEVELING  
FRAMELESS  
FRAMED AND SOLID  
DOORS  
CABANA  
VIZ  
NEW, REVISED, AND DISCONTINUED  
APPENDIX

## TV Mounting on Frameless Glass Privacy Tiles

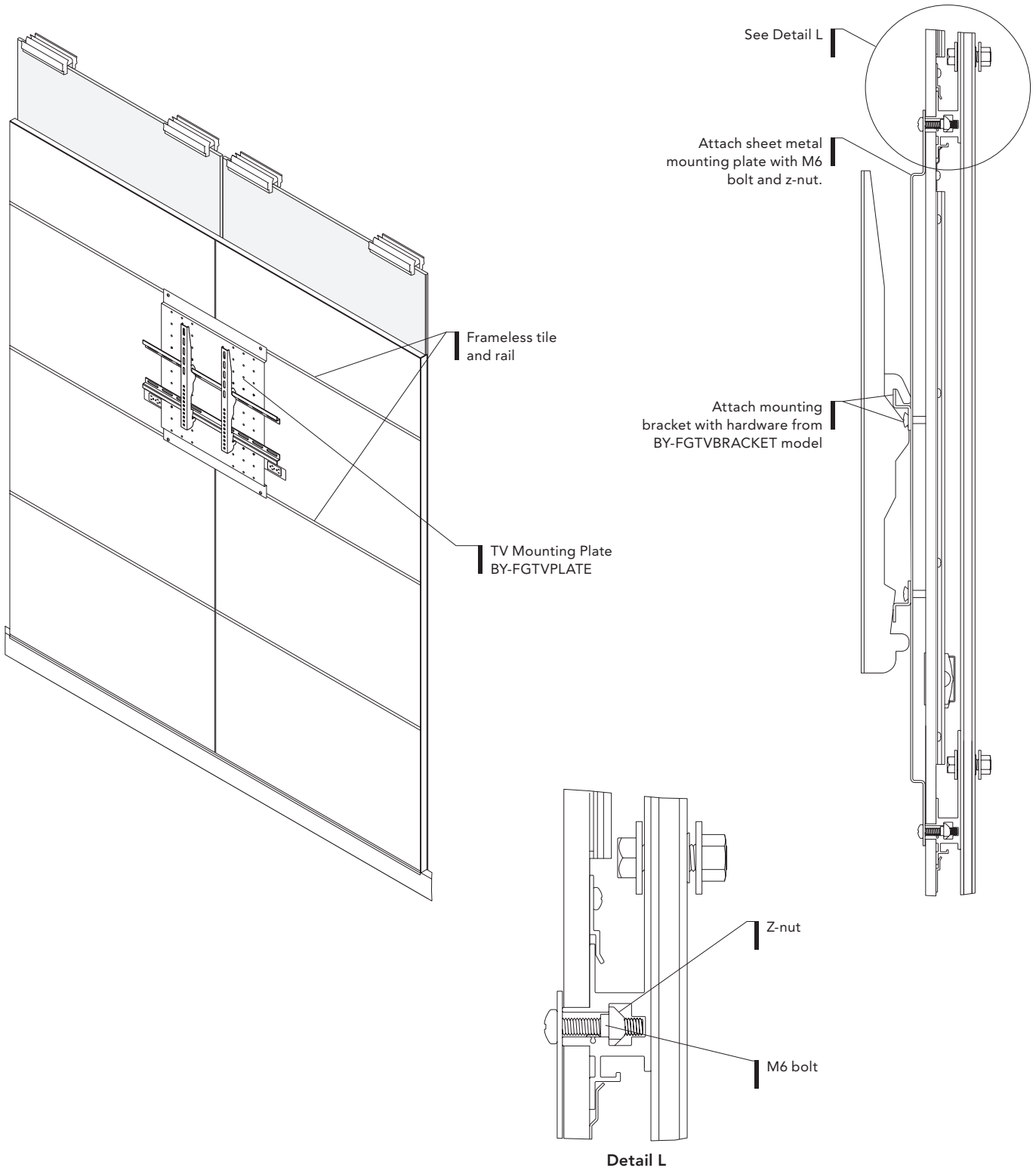
Utilize the TV mount height privacy tile kit to add a TV to frameless glass walls.

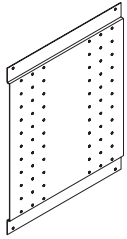
### Frameless Glass Walls 4-Trac Duplex Mounting:



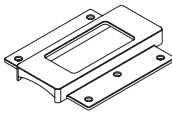
- Specify the TV mount height or TV mount height with marker board configurations (see following pages for details).
- Utilizes perforated frameless glass walls with the 7S or 7D perforation patterns.
- Frameless glass 4-wire, 2-circuit modular electrical is required to route electrical behind the privacy tiles to bring power to the TV. Specify in-feed, jumpers, and receptacles.
  - For adding two receptacles, specify a 24" jumper to connect the two together.
- Privacy tiles must be hard surface (stratawood veneer or laminate) to support the TV mount. Fabric or glass tiles cannot be used on the side where the television is mounted. Laminate or veneer tiles can be specified with an electrical port in the bottom-right of bottom-left corner to support electrical and data requirements as needed.
- Specify the TV mounting plate and grommet (model BY-FGTVPLATE) and TV bracket (model BY-FGTVBRACKET).

## Frameless Glass Walls TV Bracketry Mounting:





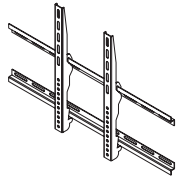
Plate



Grommet

Base Model	Description	Specification
BY-FGTVPLATE	TV Plate and Grommet	BY-FGTVPLATE

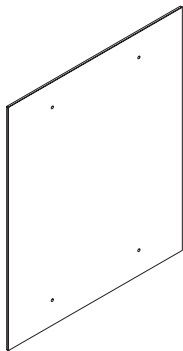
Specification Example: **BY-FGTVPLATE**



Bracket

Base Model	Description	Specification
BY-FGTVBRACKET	TV Mounting Bracket	BY-FGTVBRACKET

Specification Example: **BY-FGTVBRACKET**



Base Model	Description	Specification
BY-FGBMTILE	Button-Mounted Privacy Tile (Laminated Glass)	BY-FGBMTILE

Configuration ID	Specification Description
Application	Button Tile
Width	40"W 42"W 48"W
Height	48"H
Hand	Left Right
Tile Type	Glass
Tile Finish	See below

Option	Specification Description	Specification
Glass Selection	TE: 3/8" Laminated, Clear, Translucent White	TE
	TF: 3/8" Laminated, Low Iron, Marker Board	TF
	TL: 3/8" Laminated, Clear, Marker Board	TL

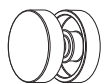
Specification Example: **BY-FGBMTILE.####.TE**

Base Model	Description	Specification
BY-FGBUTTON	Privacy Tile Button	BY-FGBUTTON

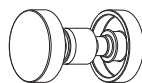
Configuration ID	Specification Description
Application	Button
Mounting Type	Distraction Marker Single Button Double Button
Finish Color	See <a href="#">Beyond Frame Finishes</a>

Option	Specification Description	Specification
Paint Color Selection	3-digit painted or anodized finish	See <a href="#">Beyond Frame Finishes</a>

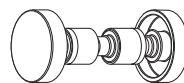
Specification Example: **BY-FGBUTTON.#####.P8X**



Distraction Marker



Button for Single-sided

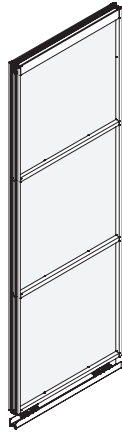


Button for Double-sided





Monolithic



Segmented



With Modular Electrical Base

- Panel Dimensions

- Height

- 18"-120" for standard and electrical bases.
- Up to 144" with stacking - see [Stacking section](#) for additional information.
- 86"-120" for freestanding.

- Width

- 8"-60"

- Glass Thickness

- 1/4" or 3/8"
- For glass colors and types, please see [Beyond Glass](#) Information.

- Assembled Panel Thickness

- 3" in depth at ceiling and base trim.

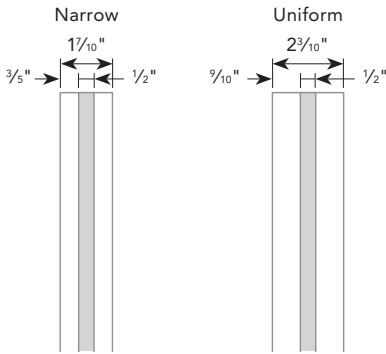
- Orderable Increments

- 1/4" for height and width.
- Segmented glass lites available in 1/16" increments. Note that each segment measurement on the framed panel model is from AFF to the top of the segment bar.

- Panels ship from factory fully unitized with panel frame, glass lite(s), integrated ceiling trim, base channel, and scissor-lift leveling mechanism(s), pre-assembled for ease and speed of installation.
- Each panel ships with two leveling mechanisms unless under 18". Only one leveling mechanism is attached to panels less than 18". Panel weight is supported at the bottom and base channels are non-defacing (unless anchoring is required by code or for seismic).
- Panels are non-progressive. A panel can be removed from the middle of a run without disturbing adjacent panels.
- Panels can be segmented with various glass types and can be integrated with solid tiles. See following pages for segmentation pattern rules.
- The electrical base option is 1" taller in height.
- An integrated mounting rail can be specified to allow for attachment of sliding doors with transom, TV mounts, Stride® off-modular connection (for panels up to 57 1/2"), and accessory hooks. This segmentation pattern option was previously specified as S30 and S39. The rules for the integrated mounting rail have been expanded and are detailed in the following pages.

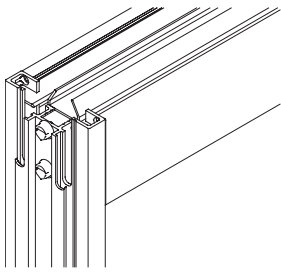
SEISMIC ZONES  
CEILING CONNECTION & FREESTANDING  
PANEL LEVELING  
FRAMELESS  
FRAMED AND SOLID  
DOORS  
CABANA  
VIZ  
NEW, REVISED, AND DISCONTINUED  
APPENDIX

## Framed Glass - Framed Thickness Options

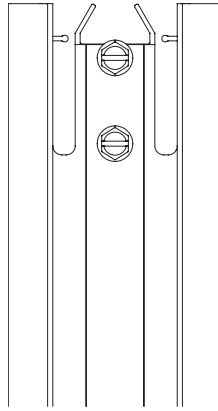


- Framed glass panels come in two vertical styles:
  - Uniform – frame-to-frame with zipper:  $2\frac{3}{10}$ "
    - Uniform width on both horizontal and vertical frame members.
    - Optimal for segmented glass.
    - Required when using stacking.
  - Narrow – frame-to-frame with zipper:  $1\frac{7}{10}$ ".
    - Optimal for monolithic glass.
    - Clean, minimal aesthetic.
    - Not for use with stacking.
    - Framed Segmentation Panel Rules.
- Segmentation Pattern Rules:
  - Segmentation patterns are now parametric. Up to 6 glass lites can be specified per panel and segment bars can be moved up/down in  $\frac{1}{16}$ " increments.
  - Minimum glass lite sizes
    - Bottom lite with standard base:  $11\frac{5}{16}$ " AFF to top of segment bar
    - Bottom lite with electrical base:  $12\frac{5}{16}$ " AFF to top of segment bar
    - Bottom lite with integrated mounting rail:  $8\frac{3}{8}$ " AFF to top of integrated mounting rail bar
    - Middle lites:
      - 6" minimum distance from top of segment bar to top of segment bar
      - With integrated mounting rail:
        - $6\frac{1}{2}$ " from top of segment bar to top of integrated mounting rail
        - $6\frac{1}{2}$ " from top of integrated mounting rail to top of segment bar
    - Top lite:
      - $8\frac{7}{8}$ " minimum distance from ceiling to top of top segment bar
      - $9\frac{7}{8}$ " minimum distance from ceiling to top of integrated mounting rail bar
  - The previous segmentation patterns will be available as a starting point.
  - Note: while measurements shown in the specification program for segments are from AFF to the top of the segment bar, the measurement in the manufacturing program is from AFF to the centerline of the segment bar. The offset (the distance from the CL of the segment bar to the top) is  $.547$ " for a standard segment bar and  $.875$ " for an integrated mounting rail segment bar.

- Enhanced Acoustics
  - Standard Option
    - Includes a modification to the panel frame assembly for tighter acoustic seal.
    - All electrical and data ported trim for framed panels comes with enhanced gasketing.
  - Enhanced Option
    - Modification to top horizontal of unitized framed panel to minimize reverberation with ceiling channel.
  - Retrofit kits available to add enhanced option Day 2



Framed Panel with Enhanced Acoustics



Framed Panel with Enhanced Acoustics



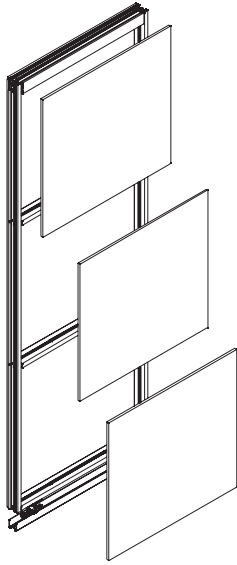
Base Model	Description	Specification
BY-FRMDPANEL	Framed Glass Panel	BY-FRMDPANEL
Configuration ID	Specification Description	
Vertical Style	Uniform Narrow	
Enhanced Acoustic	Standard Enhanced	
Width	8"-60" in ¼" increments. See specification for details	
Height	18"-120" for standard or electrical base 86"-120" for freestanding applications	
Glass Lites	1-6	
Glass Code 1	QA: ¼" Tempered, Clear QB: ¼" Tempered, Low Iron QC: ¼" Laminated, Clear QD: ¼" Laminated, Low Iron QE: ¼" Laminated, Clear, Translucent White QF: ¼" Laminated, Low Iron, Marker Board QG: ¼" Laminated, High Performance, Clear QH: ¼" Laminated, High Performance, Low Iron QL: ¼" Laminated, Clear, Marker Board TA: ⅜" Tempered, Clear TB: ⅜" Tempered, Low Iron TC: ⅜" Laminated, Clear TD: ⅜" Laminated, Low Iron TE: ⅜" Laminated, Clear, Translucent White TF: ⅜" Laminated, Low Iron, Marker Board TG: ⅜" Laminated, High Performance, Clear TH: ⅜" Laminated, High Performance, Low Iron TL: ⅜" Laminated, Clear, Marker Board TN: ⅜" Back-to-Back Back-Painted, Low Iron, Turquoise TP: ⅜" Back-to-Back Back-Painted, Low Iron, Cherry TQ: ⅜" Back-to-Back Back-Painted, Low Iron, Lawn TR: ⅜" Back-to-Back Back-Painted, Low Iron, Jet TS: ⅜" Back-to-Back Back-Painted, Low Iron, Mandarin	
Glass Codes 2-6	If there are additional glass lites, these will populate. Glass Finish options are the same as for Glass Code 1.	
Segment 1 Type	Standard Integrated Mounting Rail	
Segment 1 AFF to Top	11⅜" and up in ⅛" increments. See specification rules for details	
Segment 2-5 Type	If there are additional segments, these will populate. Options are the same as segment 1.	
Segment 2-5 AFF to Top	If there are additional segments, these will populate. See specification rules for details	
Base Style	Standard Integrated Mounting Rail	
Frame Finish	See <a href="#">Beyond Frame Finishes</a>	

Specification Example: **BY-FRMDPANEL.#####**

Base Model	Description	Specification
BY-FRMDSEALPKG	Framed Glass Panel Seal Retrofit	BY-FRMDSEALPKG

SEISMIC ZONES  
 CEILING CONNECTION & FREESTANDING  
 PANEL LEVELING  
 FRAMELESS  
 FRAMED AND SOLID  
 DOORS  
 CABANA  
 VIZ  
 NEW, REVISED, AND DISCONTINUED  
 APPENDIX

## Solid Panel Assembly



- Solid panels consist of a frame and tile construction, shipped fully assembled from the factory.
  - Frames are constructed of mechanically fastened extruded aluminum components.
    - A minimum of two intermediate horizontal supports per frame provide tile attachment and frame structure.
    - The top horizontal of the frame interconnects with the ceiling channel upon installation.
    - The bottom horizontal connects to the scissor-lift leveling mechanisms, attaching the base channel to the frame structure.
  - Panels can be specified with standard insulation, which consists of two-pound, two-inch thick formaldehyde-free (NAUF) fiberglass included in the cavity of the solid wall.
    - Panels are available without insulation but this is not recommended for optimal acoustics.

- Panel Dimensions

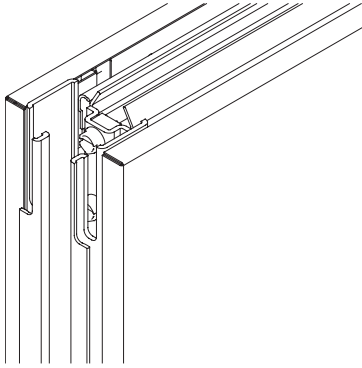
- Height
  - 18"-120" (previously 86") for standard and electrical bases
  - Up to 144" with stacking - [see Stacking section for additional information](#)
  - 26" minimum height with integrated glass for standard and electrical bases
  - 86"-120" for freestanding
- Width
  - 8"-60"
  - 9"-60" for fabric tiles greater than 54.5" high

- Panel Specification

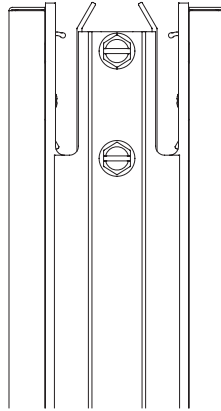
- Panel model is an assembly of a frame and tiles, meaning that one assembly is ordered which contains all associated components including the panel frame and applicable tiles for both sides including ported tiles.
  - Woodgrain laminate and veneer tiles are only available in monolithic or applications where two woodgrain tiles are not vertically adjacent
  - Glass marker board tiles are not available on top tile on solid panel adjacent to trailing side of sliding door without stacker including integrated mounting rail. Only applies to side of panel where track is mounted.
  - Steel Marker Board Tile: 115"x52" is the max size for steel marker board (previously called laminite) independent of orientation.
- Assembly Model only contains a Configuration ID, which contains all information for the solid frame and tiles. The Configuration ID can be expanded out in the specification program (CET). Note that model logic details for the frame and tile models can be expanded out in the specification program. However, the base models for the frame and tile models will NOT show up in the specification program. Base models will only appear if the frame and/or tile(s) are ordered separately, for example as a field-installed component.
- Back-painted glass marker boards can be ordered as a stand-alone component to attach to drywall or other building materials. Order model BY-GLASSWALLMB through the CET Picklist for the stand-alone marker board. Marker board comes with mounting hardware.

SEISMIC ZONES  
 CEILING CONNECTION & FREESTANDING  
 PANEL LEVELING  
 FRAMELESS  
 FRAMED AND SOLID  
 DOORS  
 CABANA  
 VIZ  
 NEW, REVISED, AND DISCONTINUED  
 APPENDIX

- Enhanced Acoustics
  - Standard Option
    - Includes a modification to the panel frame assembly for tighter acoustic seal.
    - All electrical and data ported trim for solid panels comes with enhanced gasketing.
  - Enhanced Option
    - Modification to top horizontal of unitized framed panel to minimize reverberation with ceiling channel.
  - Retrofit kits available to add enhanced option Day 2

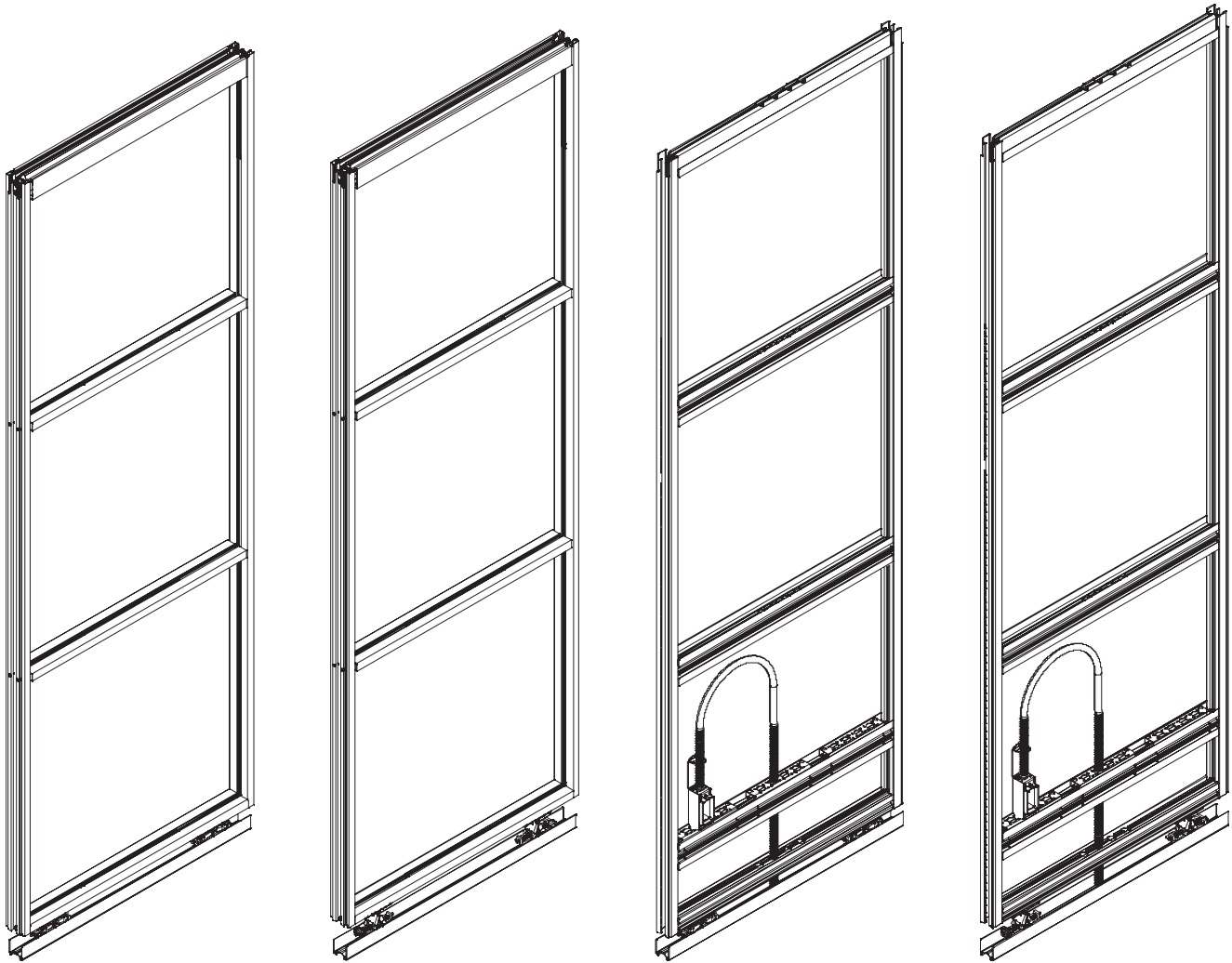


Solid Panel with Enhanced Acoustics



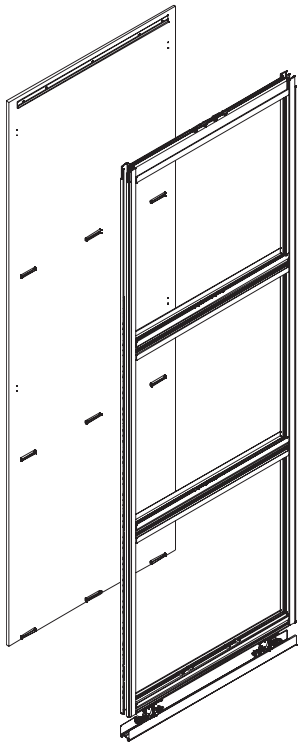
Solid Panel with Enhanced Acoustics

## Solid Panel Frames



- Solid frames can support modular electrical in the base and/or hardwired electrical with ported tiles.
  - Electrical frames are a sub-option listed within the Configuration ID of the standard frame model.
  - Electrical frames and ported tiles are incorporated into the solid panel assembly.
  - Modular electrical base frames allow for the routing of modular electrical through the base of the panels. Frames have pre-milled locations in the base for powerblock attachment.
  - Electrical frames have junction boxes and conduit installed and allow for wiring without the removal of tiles. A pull string is routed through the conduit to allow the electrician to tie on the wire and pull through the conduit to the junction box. Hardwired electrical tiles come pre-ported. Various positions of receptacle ports are possible in left, right, or centered horizontal positions. Vertical positions for j-boxes are available in .001" increments. Electrical frames can be specified with ported and non-ported tiles. Specify ported tiles where receptacles will be placed. Painted steel, fabric-wrapped, veneer and laminate tiles can be ported.
  - See the [Electrical section](#) for additional details.

## Solid Panel Tiles

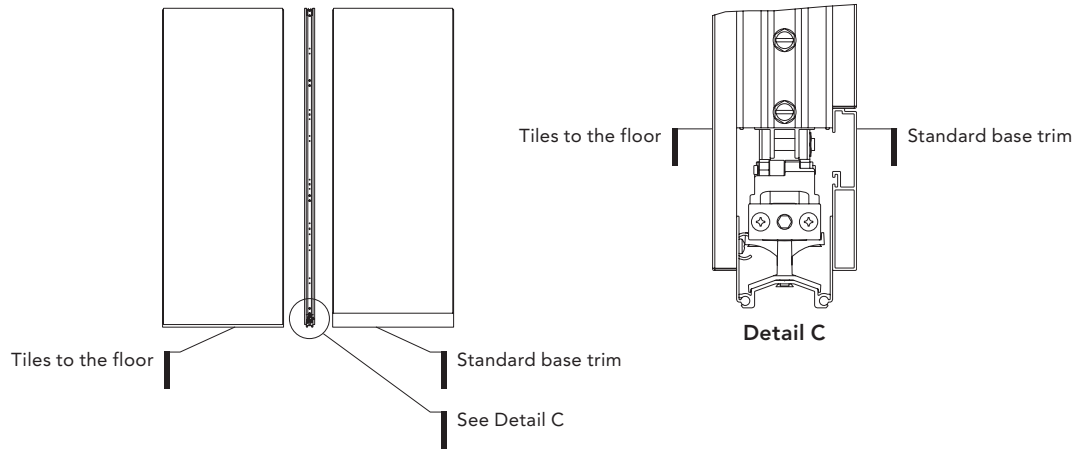


Tiles are constructed with clips on the back of the tiles for easy removal and reconfiguration. Tiles mount vertically on a single wall frame. A variety of tile materials are available on solid panels. Solid tile material type options include:

- Painted Steel
    - Consists of 20-gauge formed steel pan with textured and matte paint finish options.
    - Tiles can be ported to support hardwired electrical receptacles.
  - Fabric-Wrapped
    - Smaller tiles are constructed with fabric wrapped around a steel pan.
    - Larger tiles consist of fabric-covered NAUF (formaldehyde free) insulation including a 20-gauge steel pan for sound blocking. Fabric is glued to fiberglass.
    - Tiles can be ported to support hardwired electrical receptacles.
  - Veneer
    - Consists of veneer-covered particle board core. Balanced construction with matching edge.
    - Stratawood and natural veneer finish options.
    - Natural veneer is only available as a monolithic tile or single tile (no grain matching).
    - Tiles can be ported to support hardwired electrical receptacles.
  - Laminate
    - Consists of laminate-covered particle board core. Balanced construction with matching edge.
    - Tiles can be ported to support hardwired electrical receptacles.
- 
- Glass Marker Board
    - Consists of 1/8" thick tempered, low iron, back-painted glass adhered to an aluminum frame structure to provide finished edge and support tile attachment clips.
    - Optional magnetic backing can be added and requires use of rare earth magnets.
    - Glass marker board can be specified as part of a Beyond solid panel assembly or as a separate component to mount to drywall or other building material type.
    - To the floor back painted marker board solid tiles available as an ETO option only.
  - Steel Marker Board
    - Consists of polyester film co-laminated over a steel magnetic sheet in a smooth white finish.
    - Dry erase magnetic writing surface.
  - Integrated Glass Tile / Stacker
    - Framed glass can be integrated into solid panels and become part of the solid panel assembly.
    - All stacking tiles consist of framed glass and are not pre-assembled to the panel. Stacking panels are field-installed. For more information on stacking panels, please turn to page [180](#).
    - See page [182](#) for additional details.



## Tile Base



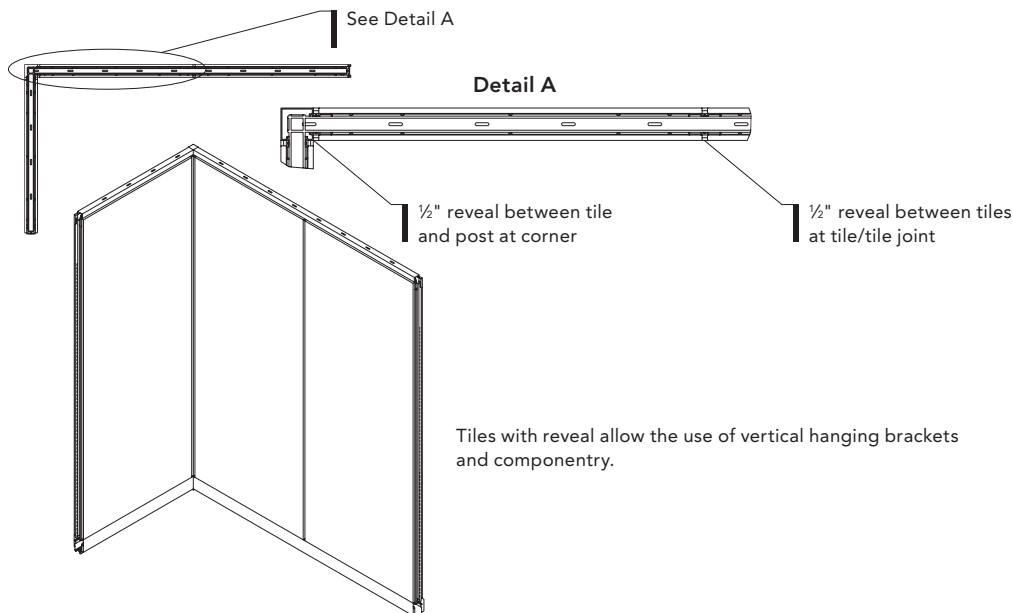
- Solid tiles at the base of the panel can be specified with base trim or with tiles to the floor. Specifying with base trim is recommended for movability as the base trim can be removed for quick and easy access to the scissor-lift leveling mechanism. Specifying with tiles to the floor is recommended for a clean aesthetic when the visibility of the aluminum trim line at the bottom is not desired.
  - Tiles with Base Trim
    - Base trim option required for access to modular electrical when electrical base option is specified.
    - Panels specified with base trim install without removing tiles.
  - Tiles to the Floor
    - Not available with stacking or freestanding applications as the tile cannot be removed from the frame to level the panel.
    - Sized to include  $\frac{3}{4}$ " nominal reveal to allow for leveling.
    - Panels with the tiles to the floor will require the tile to be removed during installation and reconfiguration to provide access to the scissor-lift mechanism or to connect zippers.

SEISMIC ZONES  
 CEILING CONNECTION & FREESTANDING  
 PANEL LEVELING  
 FRAMELESS  
 FRAMED AND SOLID  
 DOORS  
 CABANA  
 VIZ  
 NEW, REVISED, AND DISCONTINUED  
 APPENDIX

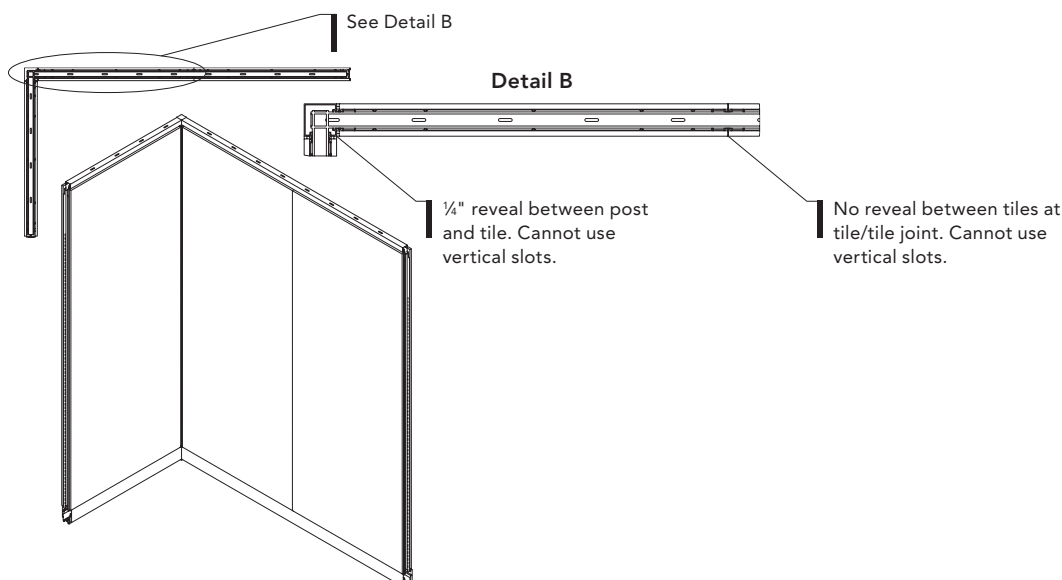
## Tile Reveal Type

- Panels can be specified with tiles that have a visible reveal between each tile, or as butt-jointed tiles. Specifying with reveal is recommended for movability as the tiles can be easily moved with quick access to zippers, which fit into the tile reveal. Specifying butt-jointed tiles means the tiles are extended to cover the zipper reveal. This is recommended for a clean aesthetic when the visible zipper reveal.
- Tiles with Reveal
  - Can be specified with a half-inch reveal between tiles for ease of installation and reconfiguration or with butt-jointed tiles for a clean aesthetic.
  - Half-inch reveal is required for vertical furniture integration, stacking and freestanding.
- Butt-jointed Tiles
  - Wall with the butt-joint tile option will require the tile(s) to be removed during installation and reconfiguration.

### Tiles with Reveal:



### Butt-Jointed Tiles:



- Beyond Solid Segmentation Panel Rules.
  - Segmentation patterns are parametric
  - Up to 9 tiles can be specified on a solid panel
  - Panel sides A and B may have different configurations as long as they don't interfere with each other
    - All tiles specified for a given side must be the same actual width
    - The selection of "with reveal" or "butt-jointed" applies to all tiles on assembled panel side
  - Previous segmentation pattern codes will remain available as a starting point. Users will not be able to add/remove segments, but can move the segment bars to desired placements up/down.
  - Tile Size Possibilities for non-ported tiles
    - Width - Exact Dimension
      - For Painted Steel, Veneer and Laminate Tiles: 8"W - 60"W in ¼" increments
      - For Fabric-Wrapped: 9"W - 60"W in ¼" increments
      - For Glass Marker Board: 12"W - 60"W in ¼" increments
      - For Steel Marker Board: 8"W-52"W in ¼" increments
    - Height - Exact Dimension
      - Painted Steel, Veneer, Laminate and Fabric-Wrapped Tiles: 6½"H - 118⅞"H in ⅛" increments. When a panel is 120"H nominally, a tile that's specified to the floor will be 118⅞"H.
      - Glass Marker Board and Steel Marker Board Tiles: 6½"H - 114¾"H
      - Note: Steel Marker Board is limited to 52" on one side. It is possible to specify greater than 52" in width up to 60"W, but the height would then be limited to 52"H.

Note that segment dimensions shown in the CET program are from AFF to the center of the segment bar for solid panels.

- Painted steel, veneer, laminate and fabric-wrapped tiles can be ported for receptacles to use with hardwired electrical panels. Tiles can have up to 4 ports in single, double, or quad applications. More than one j-box can be placed on the same side of a panel, although j-boxes cannot be back-to-back.
  - Tile Size Possibilities for Ported Tiles:
    - Width
      - For Laminate, Veneer, Painted Steel and Fabric Tiles: 30"W - 60"W in ¼" increments
    - Height
      - For Laminate, Veneer, Painted Steel and Fabric Tiles: 9¼"H - 118⅞"H in ⅛" increments
  - For placement of outlets within tiles, the following dimensions are required from the center of the outlet to the top or bottom of the tile:
    - Painted Steel
      - For heights up to 78"H: 4⅛"
      - For heights 78"H and higher: 4⅞"
    - Veneer and Laminate Tiles: 4⅛"
    - Fabric-Wrapped:
      - For heights up to 78"H: 4⅛"
      - For heights 78"H and higher: 4¾"
    - There must be 12¼" between outlets.

Beyond framed glass can be integrated into Beyond solid panels. Framed glass should always be specified above any solid tiles on the panel. Note that overall panel height for a solid panel is 18"H - 120"H. There must be a minimum 18"H solid panel with tile(s) below the integrated glass.

- Integrated Glass Tile Possibilities

- Width:

- 8"-60" in ¼" increments

- Height:

- 9½" - 102"H in ¼" increments
- 10½" - 36⅞"H in ¼" increments with integrated mounting rail

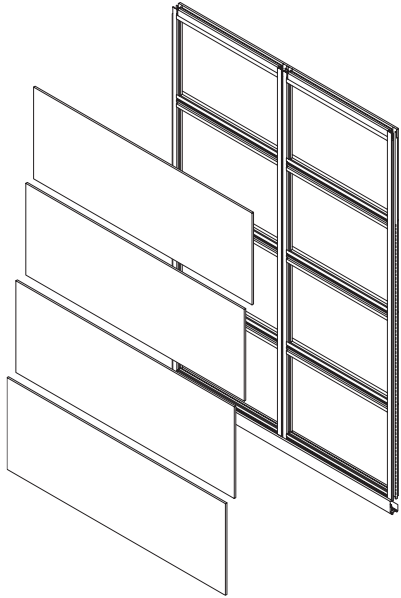
- Specification Information:

- When specified, framed glass will become part of the solid panel assembly.

- Integrated glass utilizes uniform width vertical style on the frame.

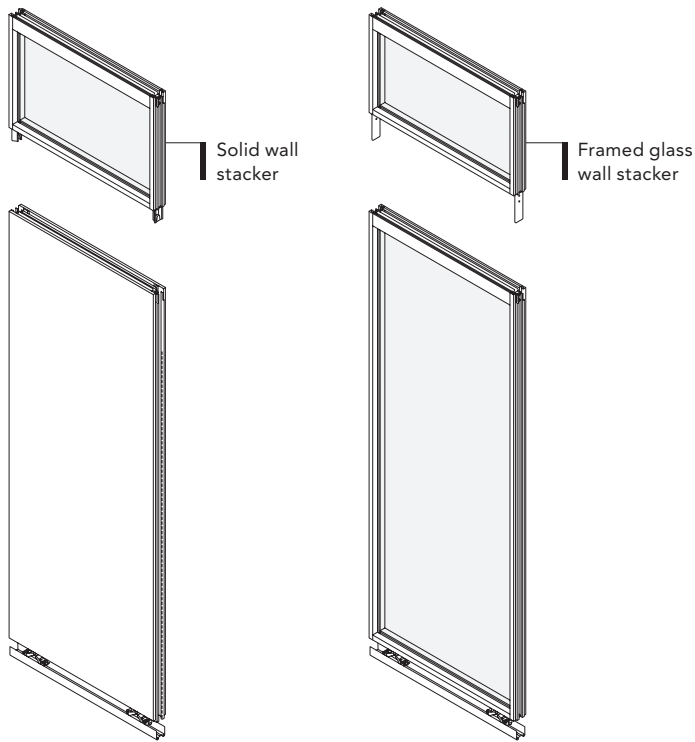
- Select from ¼" and ⅜" Beyond framed glass in a variety of colors and types.

- Note that base model for integrated framed glass BY-STILEGLASS is the same base model as a framed glass stacker. See the following page for additional information about a framed glass stacker.



- Tiles can span across multiple frames. This can create a clean aesthetic such as when a marker board tile spans across multiple frames when a seam is not desired within the marker board. Spanning tiles are engineered-to-order.
  - Standard tiles mount vertically on a single wall frame.
    - Available in widths up to 120" wide x 52" high.
    - **Must be field-installed.**
    - Allsteel recommends utilizing frames of the same width for spanning so that tiles do not become handed tiles.
    - Spanning tiles must span to the edge of the frames where the vertical supports are located to provide light and sound seal.
    - Frames and tiles will ship separately and be installed in the field when spanning tiles are specified.
    - Spanning tile options will require the tile(s) to be removed during reconfiguration.

## Stacking Panels

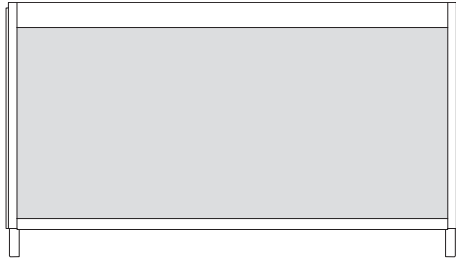


Stacking Glass on Solid Wall

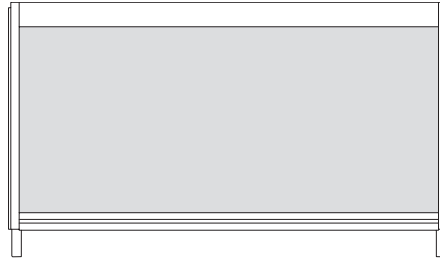
Stacking Glass on Framed Glass

- Add a framed glass stacking panel ("stacker") to framed glass, solid panels, and doors to extend the total height up to a maximum of 144"H. Stackers are field installed to the base panel.
- Stacker Dimension Possibilities
  - Width
    - 8" - 60"W in 1/4" increments above a panel
    - 36" - 120"W in 1/4" increments above single or double doors and freeways; up to 58" in height
    - Limited by door frame or freeway module width and minimum height. The freeway or frame plus stacker cannot exceed 144"H.
  - Height
    - 9 1/2" - 120" in 1/4" increments above a panel
    - 10 1/2" - 36 1/8" in 1/4" increments above a panel with integrated mounting rail
  - Glass Thickness:
    - 1/4"
    - 3/8"
- Available on Framed and Solid.
- Specification Information:
  - Framed glass panels specified with a stacker must utilize uniform width vertical style on the frame. Stacking panel construction consists of a uniform width vertical style frame surrounding a pane of glass. Solid panels must use "with reveal" option and must utilize base trim.
  - Utilize stacking posts with stacking panels. Stacking posts will be butt-jointed with the post below at the stacking segment height
  - Specify an additional set of zippers for the stacking section.
  - Solid walls must be removed from the run if a monolithic tile or top tile needs to be removed from a panel with a stacking segment.
  - Stackers do not come pre-attached to framed or solid panel and must be field-installed.
  - Note that the base model for framed glass stackers BY-STILEGLASS is the same base model as integrated framed glass on solid panels.
- Seismic applications cannot exceed 120" in total height.

SEISMIC ZONES  
 CEILING CONNECTION & FREESTANDING  
 PANEL LEVELING  
 FRAMELESS  
 FRAMED AND SOLID  
 DOORS  
 CABANA  
 VIZ  
 NEW, REVISED, AND DISCONTINUED  
 APPENDIX



Framed glass with standard rail



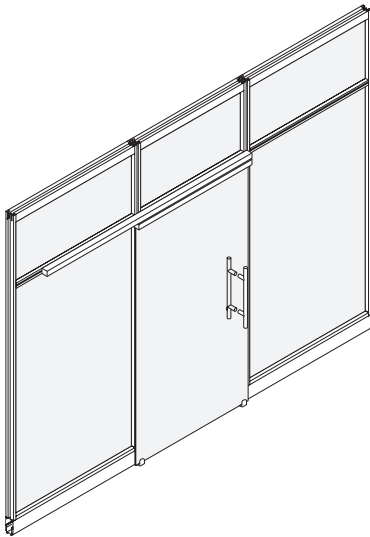
Framed glass with integrated mounting rail

Framed and solid panels can be specified with an integrated mounting rail horizontal bar. This integrated mounting rail can be used to attach a sliding door directly to the panels with a glass transom above. The sliding door is at a fixed height of 7ft. Order a sliding door frame with transom for this configuration. [See Beyond Doors for details](#). It can also allow for TV-mounting that doesn't deface the solid tiles, Stride off-modular connection (for panels up to 57½"), and accessory hooks. See [Furniture Integration](#) and [Technology Integration](#) for details.

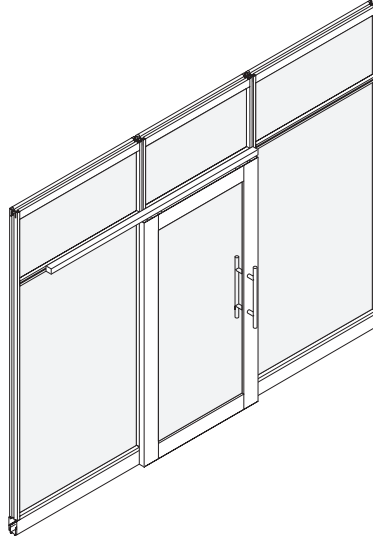
Note that the integrated mounting rail horizontal bar is slightly taller than the standard horizontal bar.

Specification Details:

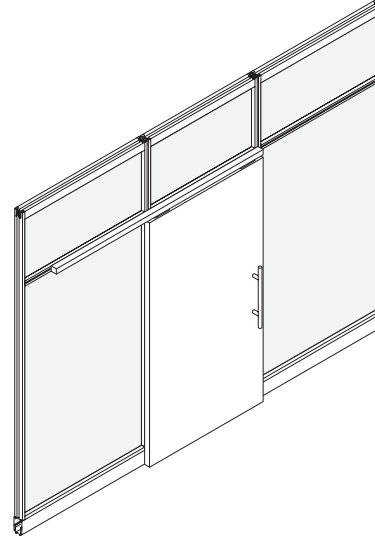
- The integrated mounting rail bar can be specified at 83⅞" AFF or higher on a framed or solid panel in ⅛" increments



Sliding Frameless Glass with Transom



Sliding Aluminum Framed with Transom



Sliding Solid with Transom



Base Model	Description	Specification
BY-SLDPANEL	Solid Panel Assembly	BY-SLDPANEL

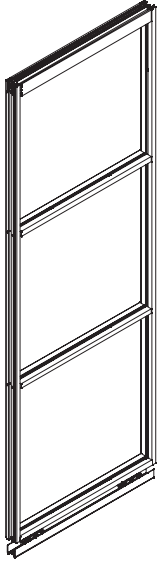
  

Configuration ID	Specification Description
Solid Panel Frame	BY-SLDPNLFRAME. <b>Note:</b> model logic details for BY-SLDPNLFRAME and other models listed below will display in specification program; however base models themselves will NOT show up in specification program when BY-SLDPANEL is expanded out.
Solid Panel Tiles	BY-STILESTEEL BY-STILEFAB BY-STILEVEN BY-STILELAM BYSTILEGLASSMB BY-STILESTEELMB BY-STILEGLASS BY-SPTILESTEEL BY-SPTILEFAB BY-SPTILEVEN BY-SPTILELAM

Specification Example: **BY-SLDPANEL.#####**

**Note:** Spanning tiles must be field-installed.

Base Model	Description	Specification
BY-SLDSEALPKG	Solid Panel Seal Retrofit	BY-SLDSEALPKG



Base Model	Description	Specification
BY-SLDPNLFRAME	Solid Panel Frame	BY-SLDPNLFRAME

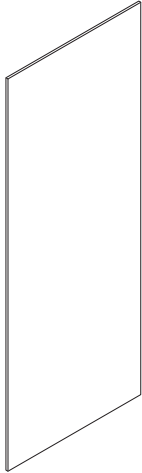
  

Configuration ID	Specification Description
Width	8"-60" in ¼" increments. See specification for details
Height	18"-120" in ¼" increments for standard or electrical base. See specification for details 86"-120" for freestanding applications
Segment Quantity	1-8. <b>Note:</b> this refers to segment bars. With 8 segment bars, a panel will have 9 tiles.
Segment 1 AFF to CL	See specification rules for details
Segment 2-8 AFF to CL	If there are additional segments, these will populate. See specification rules for details
Insulation	Yes No
Base Style	Standard Electrical
Frame Finish	Painted or Anodized Finish
1st Electrical Segment	1
1st Electrical Type	Quad
1st Electrical Location	Panel Side Side A Side B Horizontal J-Box Placement Left Center Right Vertical J-Box Placement Above Segment Below Segment
2nd-4th Electrical Segment	If there are additional electrical options, these will populate
2nd-4th Electrical Type	If there are additional electrical options, these will populate. Options are the same as 1st Electrical Type
2nd-4th Electrical Location	If there are additional electrical options, these will populate. Options are the same as 1st Electrical Location
Conduit Direction	Up Down

Option	Specification Description	Specification
Paint Color Selection	3-digit painted or anodized finish	See <a href="#">Beyond Frame Finishes</a>

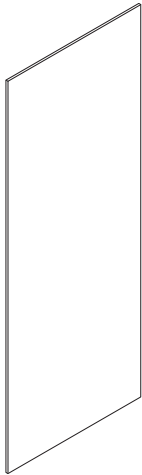
Specification Example: BY-SLDPANEL.####.P8X



Painted Steel Tile

Base Model	Description	Specification
BY-STILESTEEL	Painted Steel Tile, Non-Ported	BY-STILESTEEL
Configuration ID	Specification Description	
Top Mounting	Field will populate if field-installed: Standard Top	
Enhanced Acoustic	Standard Enhanced	
Tile Type	Steel	
Width	8" -60" in ¼" increments	
Height	6½" - 118½" in ⅙" increments	
Assembly Type	Field will populate if field-installed: Field Installed	
Reveal Type	Butt Joint Half Inch	
Tile Base	Standard Standard Base, Tile to the Floor Electrical Base, Tile to the Floor	
Paint Finish	See <a href="#">Beyond Painted Steel Tile Finishes</a>	
Option	Specification Description	Specification
Paint Option	3-digit painted finish	See <a href="#">Beyond Painted Steel Tile Finishes</a>

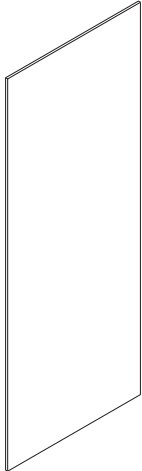
Specification Example: BY-STILESTEEL.####.P8X



Non-Ported

Base Model	Description	Specification
BY-STILEFAB	Fabric-Wrapped Tile, Non-Ported	BY-STILEFAB
Configuration ID	Specification Description	
Top Mounting	Field will populate if field-installed: Standard Top	
Enhanced Acoustic	Standard Enhanced	
Tile Type	Fabric	
Width	9" -60" in ¼" increments	
Height	6½" - 118½" in ⅙" increments	
Assembly Type	Field will populate if field-installed: Field Installed	
Reveal Type	Butt Joint Half Inch	
Tile Base	Standard Standard Base, Tile to the Floor Electrical Base, Tile to the Floor	
Fabric Finish	See <a href="#">Beyond Fabric Finishes</a>	
Option	Specification Description	Specification
Fabric Grade Selection and Color Option	Select Fabric Finish	See <a href="#">Beyond Fabric Finishes</a>

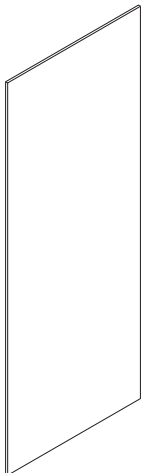
Specification Example: BY-STILEFAB.####.APN911



Veneer Tile

Base Model	Description	Specification
BY-STILEVEN	Veneer Tile, Non-Ported	BY-STILEVEN
Configuration ID	Specification Description	
Top Mounting	Field will populate if field-installed: Standard Top	
Enhanced Acoustic	Standard Enhanced	
Tile Type	Veneer	
Width	8" -60" in ¼" increments	
Height	6½" - 118½" in ⅙" increments	
Assembly Type	Field will populate if field-installed: Field Installed	
Reveal Type	Butt Joint Half Inch	
Veneer Base	Standard Standard Base, Tile to the Floor Electrical Base, Tile to the Floor	
FSC	FSC Certified Not FSC Certified	FSC X
Veneer Finish	See <a href="#">Beyond Veneer Finishes</a>	
Option	Specification Description	Specification
FSC Option	FSC Certified Standard Wood (Not FSC Certified)	FSC X
Veneer Grade and Color Option	Select Veneer Finish	See <a href="#">Beyond Veneer Finishes</a>

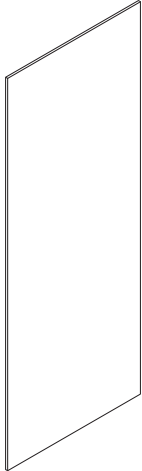
Specification Example: BY-STILEVEN.####.NE800



Laminate Tile

Base Model	Description	Specification
BY-STILELAM	Laminate Tile, Non-Ported	BY-STILELAM
Configuration ID	Specification Description	
Top Mounting	Field will populate if field-installed: Standard Top	
Enhanced Acoustic	Standard Enhanced	
Tile Type	Laminate	
Width	8" -60" in ¼" increments	
Height	6½" - 118½" in ⅙" increments	
Assembly Type	Field will populate if field-installed: Field Installed	
Reveal Type	Butt Joint Half Inch	
Tile Base	Standard Standard Base, Tile to the Floor Electrical Base, Tile to the Floor	
FSC	FSC Certified Not FSC Certified	FSC X
Laminate Finish	See <a href="#">Beyond Laminate Finishes</a>	
Option	Specification Description	Specification
FSC Option	FSC Certified Standard Wood (Not FSC Certified)	FSC X
Laminate Grade and Color Option	Select Laminate Finish	See <a href="#">Beyond Laminate Finishes</a>

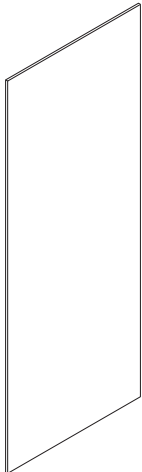
Specification Example: BY-STILELAM.####.LVT1



Glass Marker Board Tile

Base Model	Description	Specification
BY-STILEGLASSMB	Glass Marker Board Tile, Non-Ported	BY-STILEGLASSMB
Configuration ID	Specification Description	
Top Mounting	Field will populate if field-installed: Standard Top	
Enhanced Acoustic	Standard Enhanced	
Tile Type	Glass Marker Board	
Width	12" - 60" in ¼" increments	
Height	6½" - 114¾" in ⅛" increments	
Assembly Type	Field will populate if field-installed: Field Installed	
Reveal Type	Butt Joint Half Inch	
Tile Base	Standard Standard Base Electrical Base	
Glass Marker Board Finish	See Glass Marker Board Finishes below	
Option	Specification Description	Specification
Glass Selection	⅜" Back-Painted, Low Iron, Marker Board, White	OA
	⅜" Back-Painted, Low Iron, Marker Board, Magnetic, White	OB

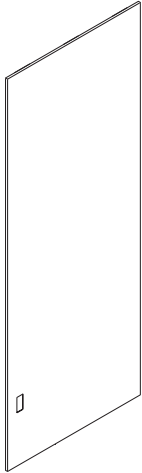
Specification Example: **BY-STILEGLASSMB.####.OA**



Steel Marker Board Tile

Base Model	Description	Specification
BY-STILESTEELMB	Steel Marker Board Tile, Non-Ported	BY-STILESTEELMB
Configuration ID	Specification Description	
Top Mounting	Field will populate if field-installed: Standard Top	
Enhanced Acoustic	Standard Enhanced	
Tile Type	Steel Marker Board	
Width	8" - 52" in ¼" increments	
Height	6½" - 114¾" in ⅛" increments	
Assembly Type	Field will populate if field-installed: Field Installed	
Reveal Type	Butt Joint Half Inch	
Tile Base	Standard Standard Base, Tile to the Floor Electrical Base, Tile to the Floor	
Steel Marker Board Finish	Steel Marker Board Tile	

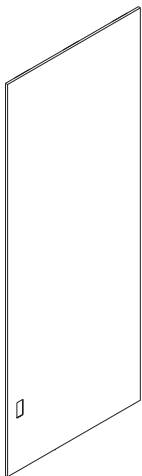
Specification Example: **BY-STILESTEELMB.####**



Ported 18" AFF

Base Model	Description	Specification
BY-SPTILESTEEL	Painted Steel Tile, Ported	BY-SPTILESTEEL
Configuration ID	Specification Description	
Top Mounting	Field will populate if field-installed: Standard Top	
Enhanced Acoustic	Standard Enhanced	
Tile Type	Steel	
Width	30"W - 60"W in ¼" increments	
Height	9¼"H - 118⅞"H in ⅛" increments	
Assembly Type	Field will populate if field-installed: Field Installed	
Reveal Type	Butt Joint Half Inch	
Tile Base	Standard Standard Base, Tile to the Floor Electrical Base, Tile to the Floor	
Paint Finish	See <a href="#">Beyond Painted Steel Tile Finishes</a>	
Port Quantity	1-4	
Port 1 Type	Single Port Double Port Quad Port	
Port 1 Location	Left Center Right	
Port 2-4 Type	Field(s) will populate if more than 1 port is selected. Options are the same as Port 1 Type	
Port 2-4 Location	Field(s) will populate if more than 1 port is selected. Options are the same as Port 1 Location	
Option	Specification Description	Specification
Paint Option	3-digit painted finish	See <a href="#">Beyond Painted Steel Tile Finishes</a>

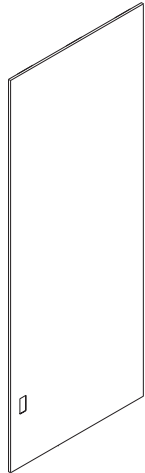
Specification Example: BY-SPTILESTEEL.####.P7L



Ported 18" AFF

Base Model	Description	Specification
BY-SPTILEFAB	Fabric-Wrapped Tile, Ported	BY-SPTILEFAB
Configuration ID	Specification Description	
Top Mounting	Field will populate if field-installed: Standard Top	
Enhanced Acoustic	Standard Enhanced	
Tile Type	Fabric	
Width	30"W - 60"W in ¼" increments	
Height	9¼"H - 118⅞"H in ⅛" increments	
Assembly Type	Field will populate if field-installed: Field Installed	
Reveal Type	Butt Joint Half Inch	
Tile Base	Standard Standard Base, Tile to the Floor Electrical Base, Tile to the Floor	
Fabric Finish	See <a href="#">Beyond Fabric Finishes</a>	
Port Quantity	1-4	
Port 1 Type	Single Port Double Port Quad Port	
Port 1 Location	Left Center Right	
Port 2-4 Type	Field(s) will populate if more than 1 port is selected. Options are the same as Port 1 Type	
Port 2-4 Location	Field(s) will populate if more than 1 port is selected. Options are the same as Port 1 Location	
Option	Specification Description	Specification
Fabric Grade Selection and Color Option	Select Fabric Finish	See <a href="#">Beyond Fabric Finishes</a>

Specification Example: BY-SPTILEFAB.####.APN911



Ported 18" AFF

Base Model	Description	Specification
BY-SPTILEVEN	Veneer Tile, Ported	BY-SPTILEVEN
Configuration ID	Specification Description	
Top Mounting	Field will populate if field-installed: Standard Top	
Enhanced Acoustic	Standard Enhanced	
Tile Type	Veneer	
Width	30"W - 60"W in ¼" increments	
Height	9¼"H - 118½"H in ⅛" increments	
Assembly Type	Field will populate if field-installed: Field Installed	
Reveal Type	Butt Joint Half Inch	
Tile Base	Standard Standard Base, Tile to the Floor Electrical Base, Tile to the Floor	
FSC	FSC Certified Not FSC Certified	FSC X
Veneer Finish	See <a href="#">Beyond Veneer Finishes</a>	
Port Quantity	1-4	
Port 1 Type	Single Port Double Port Quad Port	
Port 1 Location	Left Center Right	
Port 2-4 Type	Field(s) will populate if more than 1 port is selected. Options are the same as Port 1 Type	
Port 2-4 Location	Field(s) will populate if more than 1 port is selected. Options are the same as Port 1 Location	
Option	Specification Description	Specification
FSC Option	FSC Certified Standard Wood (Not FSC Certified)	FSC X
Veneer Grade and Color Option	Select Veneer Finish	See <a href="#">Beyond Veneer Finishes</a>

Specification Example: BY-SPTILEVEN.####.NE800

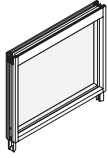


Ported 18" AFF

Base Model	Description	Specification
BY-SPTILELAM	Laminate Tile, Ported	BY-SPTILELAM
Configuration ID	Specification Description	
Top Mounting	Field will populate if field-installed: Standard Top	
Enhanced Acoustic	Standard Enhanced	
Tile Type	Laminate	
Width	30"W - 60"W in ¼" increments	
Height	9¼"H - 118⅞"H in ⅛" increments	
Assembly Type	Field will populate if field-installed: Field Installed	
Reveal Type	Butt Joint Half Inch	
Tile Base	Standard Standard Base Electrical Base	
FSC	FSC Certified Not FSC Certified	FSC X
Laminate Finish	See <a href="#">Beyond Laminate Finishes</a>	
Port Quantity	1-4	
Port 1 Type	Single Port Double Port Quad Port	
Port 1 Location	Left Center Right	
Port 2-4 Type	Field(s) will populate if more than 1 port is selected. Options are the same as Port 1 Type	
Port 2-4 Location	Field(s) will populate if more than 1 port is selected. Options are the same as Port 1 Location	
Option	Specification Description	Specification
FSC Option	FSC Certified Standard Wood (Not FSC Certified)	FSC X
Veneer Grade and Color Option	Select Laminate Finish	See <a href="#">Beyond Laminate Finishes</a>

Specification Example: BY-SPTILELAM.###.LVT1





Stacker

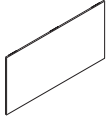
Base Model	Description	Specification
BY-STILEGLASS	Integrated Glass Tile/Stacker, Non-Ported	BY-STILEGLASS
Configuration ID	Specification Description	
Product	Beyond	
Base Horizontal	Standard	
Width	Integrated Mounting Rail	
	8"-60" in ¼" increments as an integrated glass tile	
Height	8"-120" in ¼" increments as a stacker above a framed/solid panel or door frame including freeway	
	9½" - 108¼" in ¼" increments as an integrated glass tile	
	9½" - 120" in ¼" increments as a stacker above a framed/solid panel	
	9½" - 58" as a stacker above a door frame or freeway	
Enhanced Acoustic	Standard	
	Enhanced	
Glass Code	QA: ¼" Tempered, Clear	
	QB: ¼" Tempered, Low Iron	
	QC: ¼" Laminated, Clear	
	QD: ¼" Laminated, Low Iron	
	QE: ¼" Laminated, Clear, Translucent White	
	QF: ¼" Laminated, Low Iron, Marker Board	
	QG: ¼" Laminated, High Performance, Clear	
	QH: ¼" Laminated, High Performance, Low Iron	
	QL: ¼" Laminated, Clear, Marker Board	
	TA: ⅜" Tempered, Clear	
	TB: ⅜" Tempered, Low Iron	
	TC: ⅜" Laminated, Clear	
	TD: ⅜" Laminated, Low Iron	
	TE: ⅜" Laminated, Clear, Translucent White	
	TF: ⅜" Laminated, Low Iron, Marker Board	
	TG: ⅜" Laminated, High Performance, Clear	
	TH: ⅜" Laminated, High Performance, Low Iron	
	TL: ⅜" Laminated, Clear, Marker Board	
	TN: ⅜" Back-to-Back Back-Painted, Low Iron, Turquoise	
TP: ⅜" Back-to-Back Back-Painted, Low Iron, Cherry		
TQ: ⅜" Back-to-Back Back-Painted, Low Iron, Lawn		
TR: ⅜" Back-to-Back Back-Painted, Low Iron, Jet		
TS: ⅜" Back-to-Back Back-Painted, Low Iron, Mandarin		
Option	Specification Description	Specification
Paint Color Selection	3-digit painted or anodized finish	See <a href="#">Beyond Frame Finishes</a>

Specification Example: BY-STILEGLASS.####.QA.P8X

SEISMIC ZONES  
CEILING CONNECTION & FREESTANDING  
PANEL LEVELING  
FRAMELESS  
FRAMED AND SOLID  
DOORS  
CABANA  
VIZ  
NEW, REVISED, AND DISCONTINUED  
APPENDIX

# Wall-Mounted Marker Board

Beyond® — Solid



Marker Board

Base Model	Description	Specification
BY-GLASSWALLMB	Wall-Mounted Glass Marker Board	BY-GLASSWALLMB

Option	Specification Description	Specification
Width	48"W	4800W
	72"W	7200W
	96"W	9600W
Height	48"H	4800H
Glass Selection	<sup>3</sup> / <sub>16</sub> " Back-Painted, Low Iron, Marker Board, White	OA
	<sup>3</sup> / <sub>16</sub> " Back-Painted, Low Iron, Marker Board, Magnetic, White	OB

Specification Example: **BY-GLASSWALLMB.4800W.4800H.OA**

SEISMIC ZONES

CEILING  
CONNECTION &  
FREESTANDING

PANEL LEVELING

FRAMELESS

FRAMED AND  
SOLID

DOORS

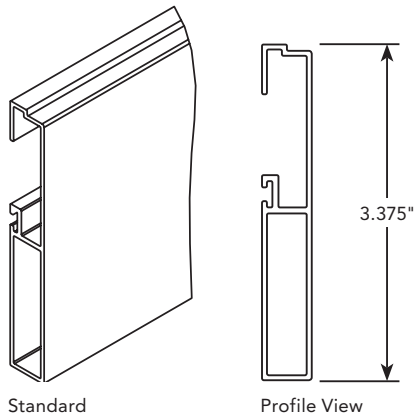
CABANA

VIZ

NEW,  
REVISED, AND  
DISCONTINUED

APPENDIX

## Base Trim

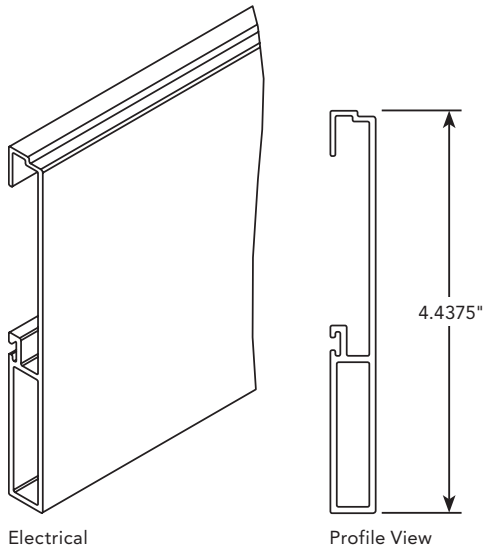


Standard

Profile View

- Base trim connects to the base channel and is specified on both sides of a framed or solid panel.
- 3<sup>5</sup>/<sub>8</sub>"H for trim itself.
- 4<sup>3</sup>/<sub>16</sub>"H from finished floor to top of trim with nominal reveal of 3/4".
- Available in 96" or 120" lengths.

## Electrical Base Trim

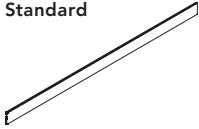


Electrical

Profile View

- Utilize the electrical base trim for projects with modular electrical in framed or solid panels. Base trim connects to the base channel and is specified on both sides of the panel. The electrical base trim is 1" taller than the standard, non-electrical trim.
- 4<sup>5</sup>/<sub>8</sub>"H for trim itself.
- 5<sup>3</sup>/<sub>16</sub>"H from finished floor to top of trim with nominal reveal of 3/4".
- Non-ported electrical base trim is available in 96" or 120" lengths.
- Framed and solid pre-ported base trim at 60<sup>1</sup>/<sub>2</sub>"W is available for single or double receptacles.
- Can be utilized on panels with minimum width of 45".
- Base trim that is 48<sup>1</sup>/<sub>2</sub>"W with QTY (2) additional data ports allows data to be placed to the right or left of the duplex receptacles. This is available for double receptacles only. Trim can be cut in the field so that one data port is removed if it's not used.
- Due to wall depth, back-to-back data modules should not be used. If required, it is recommended that extended data faceplates be used. Width is 48".
- All electrical and data ported trim for framed and solid panels comes with enhanced gasketing.

Standard



Full View



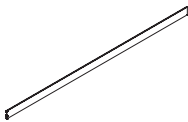
Profile View

Base Model	Description	Specification
BY-FSBT	Framed and Solid Base Trim	BY-FSBT

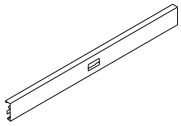
Configuration ID	Specification Description
Product	Beyond
Product Type	Solid or Framed
Dimension	96" 120"
Trim Type	Base
Enhanced Acoustic	Standard Enhanced
Trim Use	Universal
Trim Style	Standard
Finish Color	Painted or Anodized Finishes

Option	Specification Description	Specification
Paint Color Selection	3-digit painted or anodized finish	See <a href="#">Beyond Frame Finishes</a>

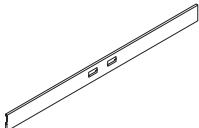
Specification Example: **BY-FSBT.####.P8X**



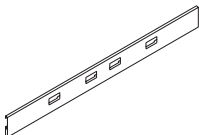
No Ports



Single Receptacle Port



Double Receptacle Port



Double Receptacle Ports with Double Data Ports

Base Model	Description	Specification
BY-FSBTE	Framed and Solid Electrical Base Trim	BY-FSBTE

Configuration ID	Specification Description
Product	Beyond
Product Type	Framed/Solid
Dimension	96 or 120 - Non-Ported 60" - Single, Double, Single - Chicago, Double - Chicago 48" - Double with Data
Trim Type	Base
Enhanced Acoustic	Standard Enhanced
Trim Use	Straight Straight Ported
Trim Style	Electrical
Port Quantity	Non-Ported Single Double Double with Data Single - Chicago Double - Chicago
Finish Color	Painted or Anodized Finishes

Option	Specification Description	Specification
Paint Color Selection	3-digit painted or anodized finish	See <a href="#">Beyond Frame Finishes</a>

Specification Example: **BY-FSBTE.####.P8X**

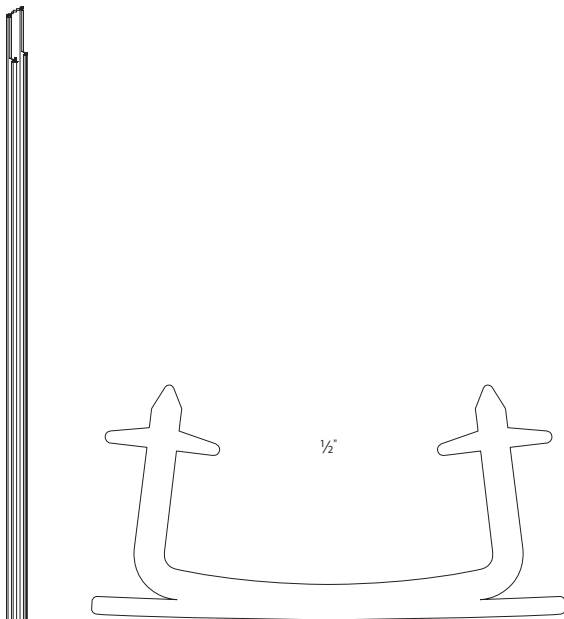
## Standard Zipper



### Zipper

- Framed and solid panels are connected utilizing fast-installing co-polymer zippers. Zippers are used to connect framed panels to other framed panels and solid panels to other solid panels. Note that zippers are also used to connect frameless adapters to door frames or posts.
  - Standard zippers are 1/2"W and can flex up to 5 degrees. Standard zippers do not add dimension to the overall wall run.
  - Order single zippers or a bulk pack of QTY 75.
  - Once 40 zippers are reached, the specification program will automatically specify a bulk pack of 75 zippers.

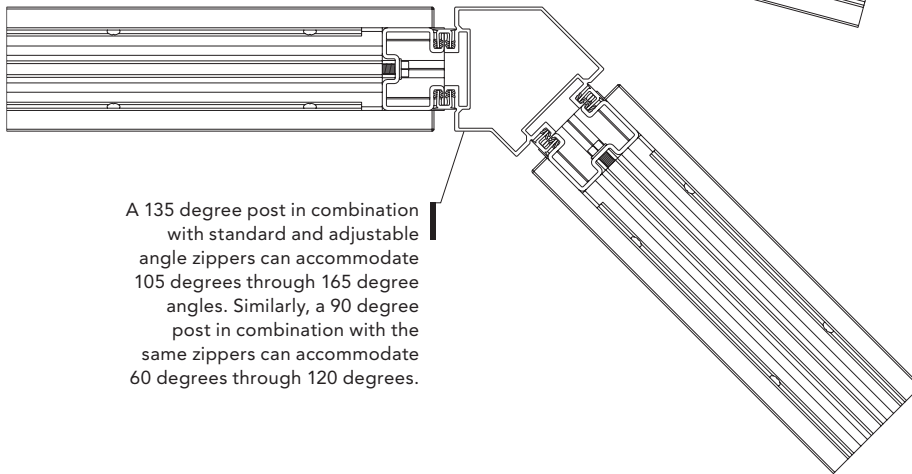
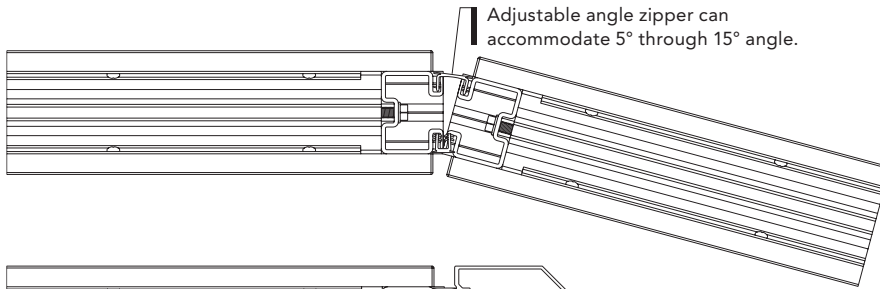
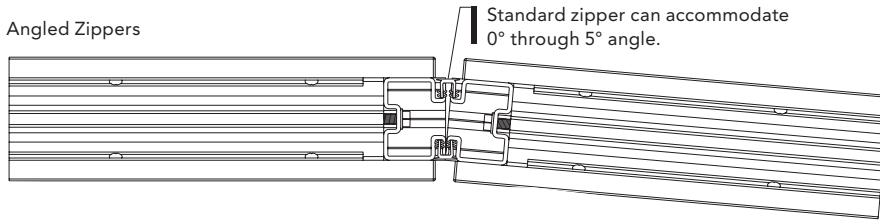
## Adjustable Angle Zipper



- Adjustable angle zippers are 1"W and can flex up to 15 degrees. The adjustable angle zipper planning dimension is 1/2"W due to the zipper adding 1/2" to the overall wall run.

## Zipper Adjustment Capability:

Angled Zippers



A 135 degree post in combination with standard and adjustable angle zippers can accommodate 105 degrees through 165 degree angles. Similarly, a 90 degree post in combination with the same zippers can accommodate 60 degrees through 120 degrees.



Base Model	Description	Specification
BY-ZIPPER	Zipper	BY-ZIPPER
Configuration ID	Specification Description	
Color Selections	Black-Kloeber (20 gloss)	E4
	Brownstone	BW
	Designer White	DW
	Grey	EC
	Warm Tone	EF

Specification Example: **BY-ZIPPER.S.E4**

Base Model	Description	Specification
BY-ZIPPERBULK	Zipper (QTY 75)	BY-ZIPPERBULK
Configuration ID	Specification Description	
Color Selections	Black-Kloeber (20 gloss)	E4
	Brownstone	BW
	Designer White	DW
	Grey	EC
	Warm Tone	EF

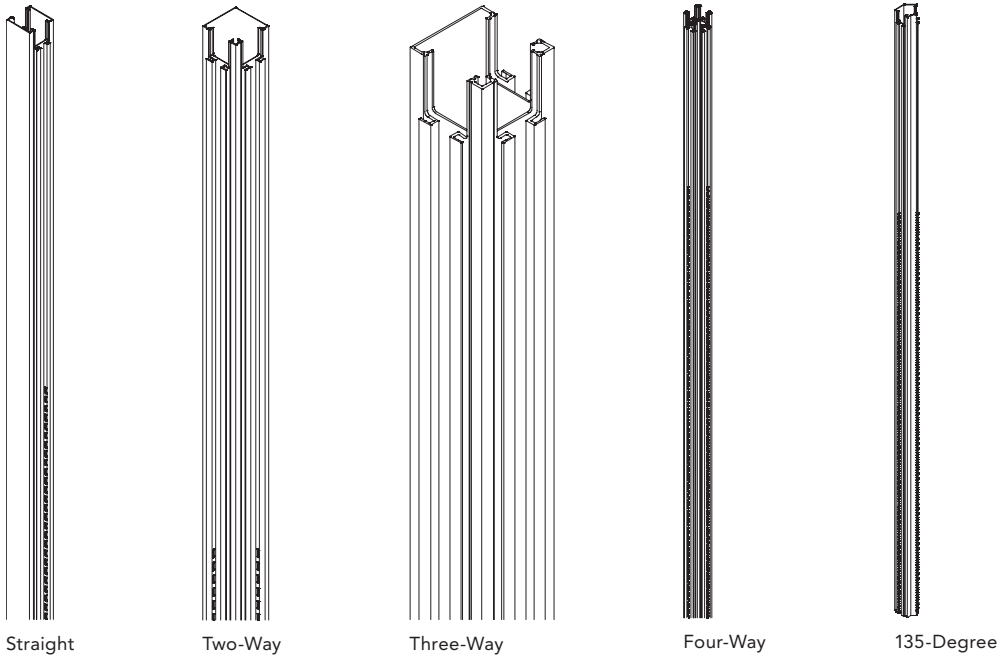
Specification Example: **BY-ZIPPERBULK.E4**

Base Model	Description	Specification
BY-AZIPPER	Adjustable Angle Zipper	BY-AZIPPER
Configuration ID	Specification Description	
Color Selections	Black-Kloeber (20 gloss)	E4
	Grey	EC

Specification Example: **BY-AZIPPER.E4**



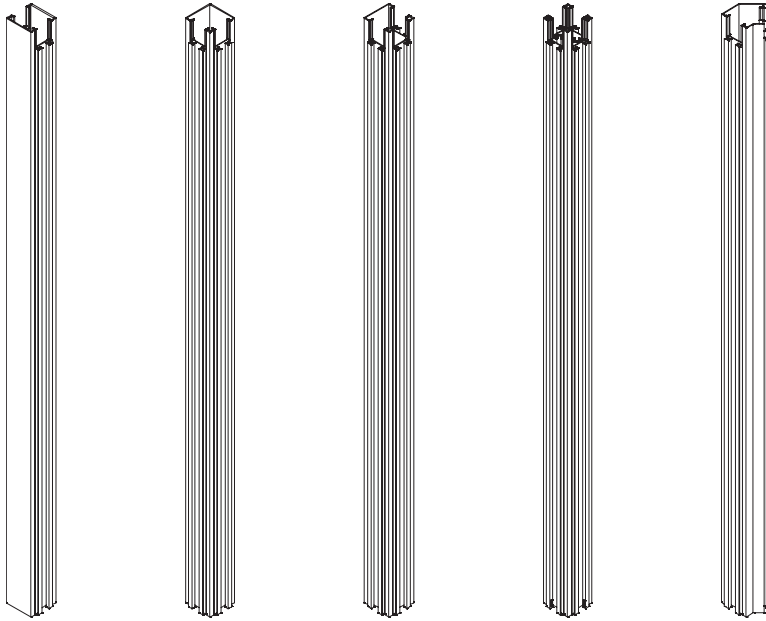
## Posts



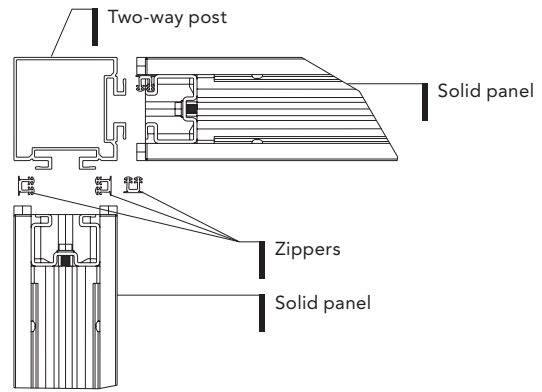
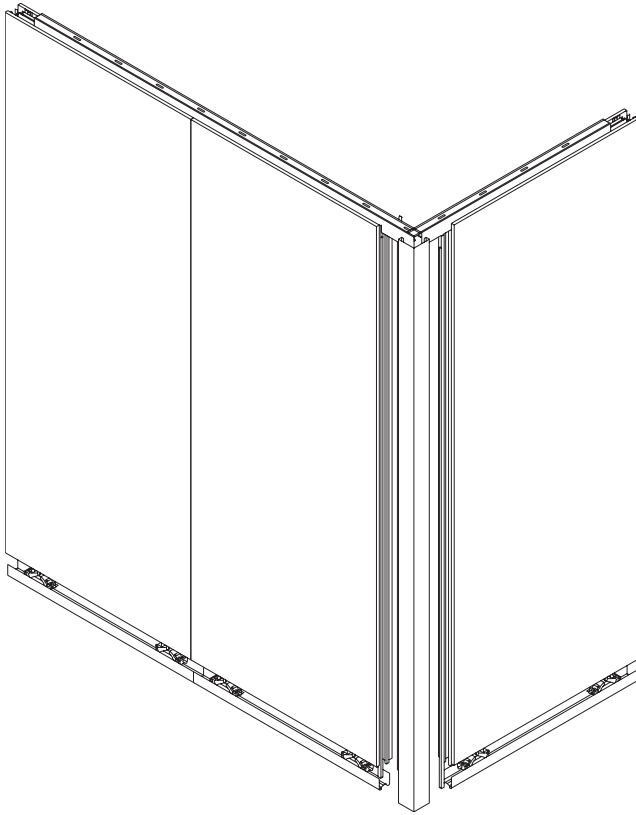
- Posts connect framed and solid panels when wall direction changes or terminates.
- Posts are available for the following connection types: straight (in-line), two-way (corner connection), three-way, four-way, and 135-degrees.
- Straight, two-way, and three-way posts can be specified with an access panel for access to electrical and data, which can then be routed through the post from the floor or ceiling. See [Beyond Electrical for more information](#).
- Optional access posts with Stride® integration allow T connections with 30"H Stride® panels. Additional heights can be accommodated as a custom solution through Tailored Products.
- Dimensions
  - Available from 18" to 120".
  - Straight actual and overall planning dimension is 3½"W or 1¾"W from centerline.
  - Two-way actual and planning dimension is 1¾" from centerline.
  - Three-way actual and overall planning dimension is 3½"W or 1¾" from centerline.
  - 135° actual and planning dimension is 1¾"W from centerline.
  - If multiple panel heights are specified, posts can be ordered to the tallest nominal panel height and cut in the field to reduce installation efforts.



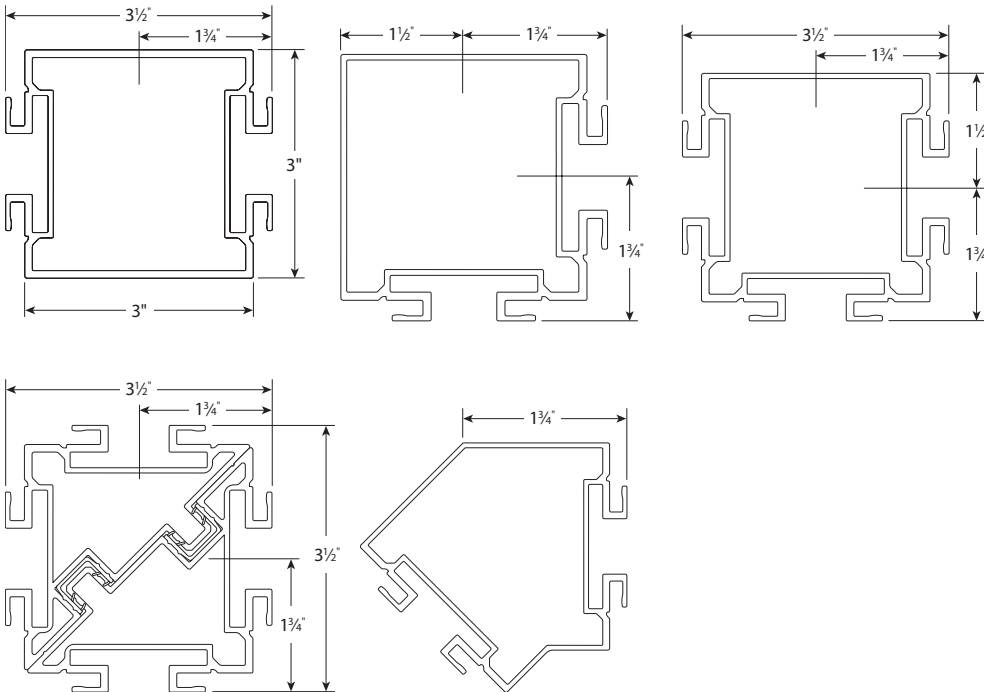
- Base and stacking posts have been consolidated into single model.
  - Use Stacking post for nominal heights above 120”.
  - Base post height to match nominal height of base panel.
  - Stacking post height to match nominal height of stacking panel.



## Example of a Corner Post Connection:



## Planning Dimensions



Base Model	Description	Specification
BY-POST	Post	BY-POST
Configuration ID	Specification Description	
Product	Beyond	
Product Type	Solid or Framed	
	Solid or Framed Stacking	
Dimension	18"-120" In 1/4" Increments	
	9.5" minimum for Stacking Posts	
Trim Type	Post	
Trim Use	Straight Non Ported	
	Two Way	
	Three Way	
	Four Way	
	Angle 135	
Finish Color	Painted or Anodized Finishes	
Option	Specification Description	Specification
Paint Color Selection	3-digit painted or anodized finish	See <a href="#">Beyond Frame Finishes</a>

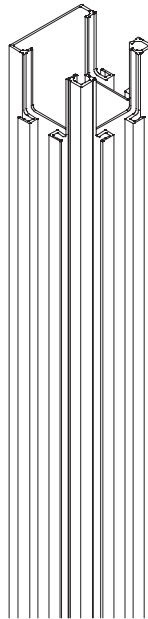
Specification Example: BY-POST.####.P8X



Straight



Two-Way



Three-Way

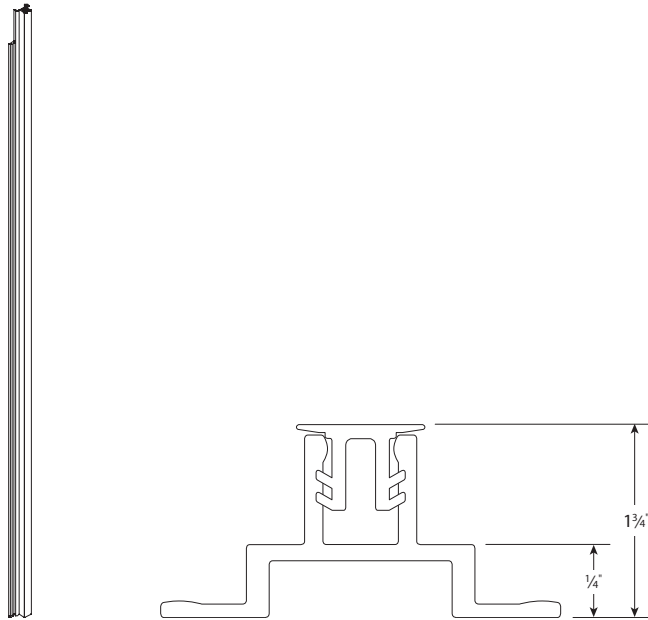


Four-Way



135-Degree

## Zipper-Based Connector

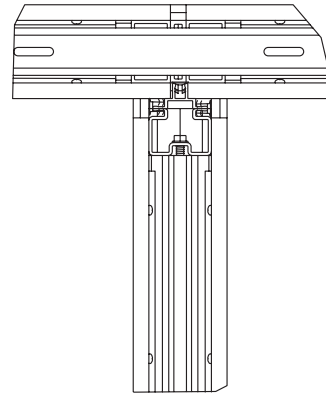
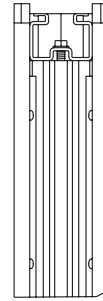
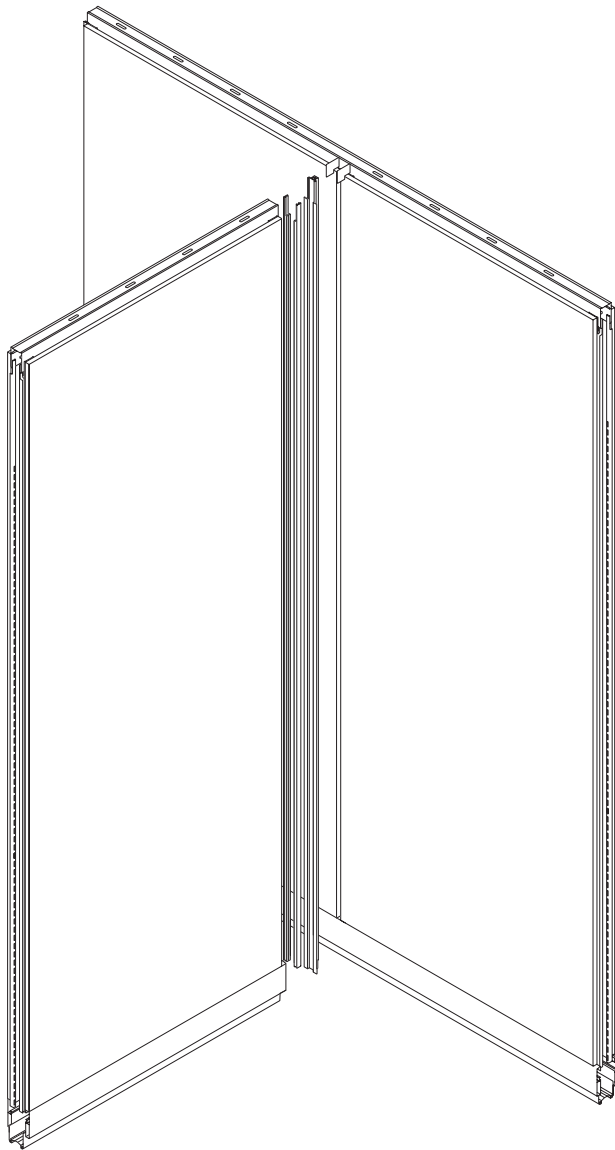


- Zipper-based connectors allow walls to connect into a zipper reveal to eliminate the need for a post with framed glass and solid walls.
  - Zipper reveals must be located directly across from each other to connect walls on both ends of the run.
  - Allows the ability to add a wall to an existing layout without interruption of adjacent panels.
  - Provides flexibility to quickly relocate and reconfigure walls with minimal disruption.
  - Must utilize “with reveal” and with base trim options on solid walls.
  - Can only be used at a zipper junction with two panels. Cannot not be used at a zipper junction with a door.
  - Planning dimension is  $1\frac{3}{4}$ "W from centerline or  $\frac{1}{4}$ " from face of perpendicular wall as the zipper-based connector adds  $\frac{1}{4}$ " to the overall wall run.

# Zipper-Based Connector

Working with Beyond®

## Example of Zipper-Based Connection with a Solid Wall:



SEISMIC ZONES  
CEILING CONNECTION & FREESTANDING  
PANEL LEVELING  
FRAMELESS  
FRAMED AND SOLID  
DOORS  
CABANA  
VIZ  
NEW, REVISED, AND DISCONTINUED  
APPENDIX



Zipper Based Connector

Base Model	Description	Specification
BY-ZIPPERCONN	Zipper-Based Connector	BY-ZIPPERCONN

Configuration ID	Specification Description
Product	Beyond
Dimension	120"
Trim Type	Wall Channel
Trim Use	Three Way
Finish Color	Painted or Anodized Finishes

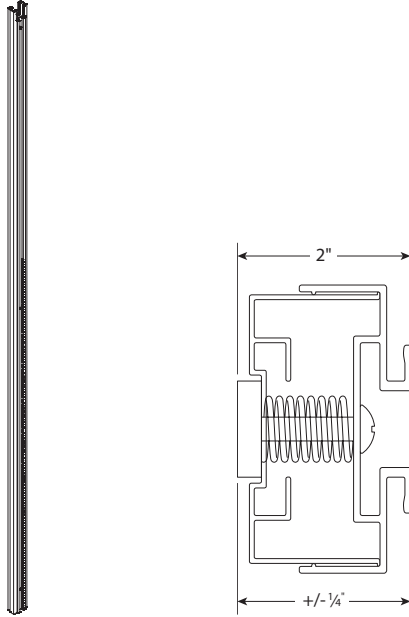
  

Option	Specification Description	Specification
Paint Color Selection	3-digit painted or anodized finish	See <a href="#">Beyond Frame Finishes</a>

Specification Example: **BY-ZIPPERCONN.####.P8X**

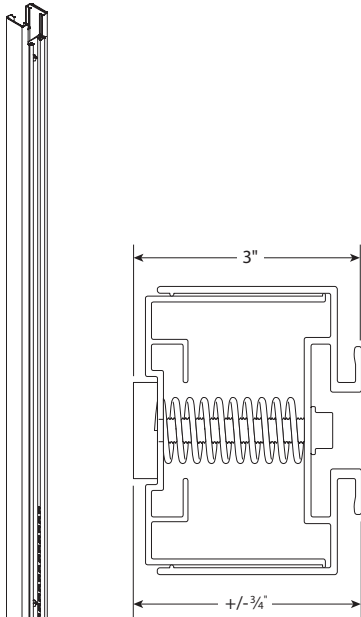
Wall channels can be used to connect framed and solid panels to drywall. Small wall channels can be used to create a more minimal aesthetic. Large wall channels can be used to allow for greater adjustment to accommodate drywall walls that are off plumb. A foam gasket, included with both wall channels, provides an acoustical seal and is pressure-fit to the wall.

## Small Wall Channel



- Available from 18"-120".
- Actual and planning dimensions are both 2"W.
- Small wall channels offer +/- 1/4" of adjustment.
- Specify at the same height as the adjacent panel.
- Two zippers are used to connect the wall channel to the adjacent framed or solid panel.
  - Base and stacking posts have been consolidated into single model.
    - Use "stacking" post for nominal heights above 120".
    - "Base" post height to match nominal height of base panel.
    - "Stacking" post height to match nominal height of stacking panel.

## Large Wall Channel



- Available from 18"-120".
- Actual and planning dimensions are both 3"W.
- Large wall channels offer +/- 3/4" of adjustment.
- Specify at the same height as the adjacent framed or solid panel.
- Two zippers are used to connect the wall channel to the adjacent panel.
  - Base and stacking posts have been consolidated into single model.
    - Use "stacking" post for nominal heights above 120".
    - "Base" post height to match nominal height of base panel.
    - "Stacking" post height to match nominal height of stacking panel.





Base Model	Description	Specification
BY-FSSWCHANNEL	Framed and Solid Wall Channel, Small	BY-FSSWCHANNEL

Configuration ID	Specification Description
Product	Beyond
Product Type	Solid or Framed Solid or Framed Stacking
Dimension	18"-120" In ¼" Increments 12" - 48" in ¼" increments for Stacking
Trim Type	Wall Channel
Trim Use	Universal
Trim Style	Small
Finish Color	Painted or Anodized Finishes

Option	Specification Description	Specification
Paint Color Selection	3-digit painted or anodized finish	See <a href="#">Beyond Frame Finishes</a>

Specification Example: BY-FSSWCHANNEL.####.P8X



Base Model	Description	Specification
BY-FSLWCHANNEL	Framed and Solid Wall Channel, Large	BY-FSLWCHANNEL

Configuration ID	Specification Description
Product	Beyond
Product Type	Solid or Framed Solid or Framed Stacking
Dimension	18"-120" In ¼" Increments 12" - 48" in ¼" increments for Stacking
Trim Type	Wall Channel
Trim Use	Universal
Trim Style	Large
Finish Color	Painted or Anodized Finishes

Option	Specification Description	Specification
Paint Color Selection	3-digit painted or anodized finish	See <a href="#">Beyond Frame Finishes</a>

Specification Example: BY-FSLWCHANNEL.####.P8X

## Finished Ends

Finished ends are utilized at the end, framed and solid wall runs that do not terminate into drywall.



Uniform Finished End



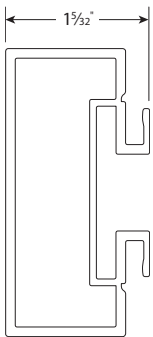
Uniform Finished End with Stride® Connection



Uniform Finished End - Stacking Post

- The actual dimension of a framed and solid finished end is  $1\frac{1}{32}$ " in depth. Planning dimension is  $1\frac{1}{4}$ ".
- The actual and planning dimension of a finished end with Stride Connection is  $1\frac{1}{2}$ ".
  - Allows mounting of 30" high Stride® panel at the end of a Beyond run. Additional heights can be accommodated as an engineered-to-order (ETO) model.
  - Allows data or power in-feed to be from the ceiling into the Stride® panel.
- Specify at the nominal height determined for the run. If multiple panel heights are specified, framed and solid finished ends can be ordered to the tallest nominal panel height and cut in the field for greater ease of installation.

## Planning Dimensions





Uniform Finished End

Base Model	Description	Specification
BY-FSEND	Framed/Solid Finished End	BY-FSEND

Configuration ID	Specification Description
Product	Beyond
Product Type	Solid or Framed Solid or Framed Stacking
Dimension	18"-120" In ¼" Increments Stacking Panels: 9.5" minimum
Trim Type	Post
Trim Use	Finished End
Trim Style	Standard Stride
Finish Color	Painted or Anodized Finishes

Option	Specification Description	Specification
Paint Color Selection	3-digit painted or anodized finish	See <a href="#">Beyond Frame Finishes</a>

Specification Example: BY-FSEND.####.P8X

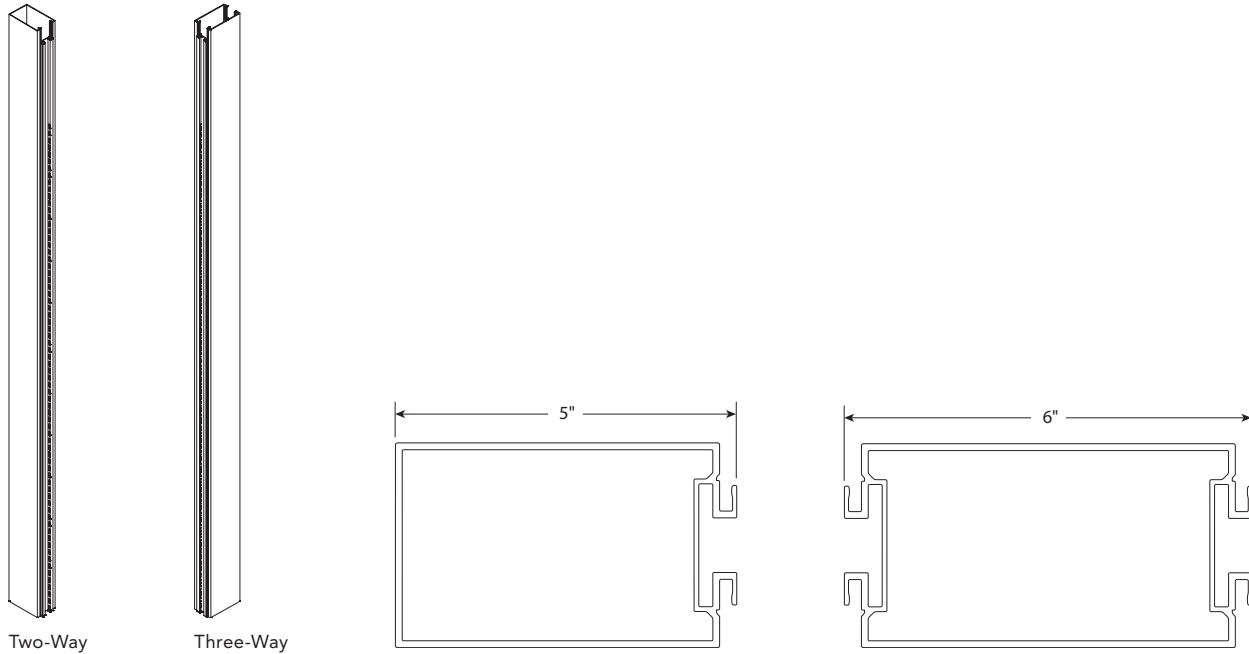


Uniform Finished End - Stacking Post



Uniform Finished End - Stacking Post

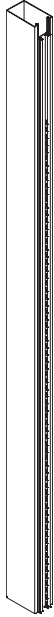
## Drywall End Caps



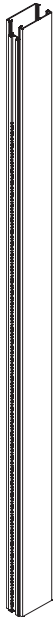
- Drywall end caps are used to create a clean, continuous look across a wall run. Two-way drywall end caps are used at the 90° connection and three-way drywall end caps are used at a three-way connection where drywall connects perpendicularly to Beyond (typically as a demising wall). The end of the Beyond wall terminates in a drywall end cap post that extends to cover the width of the drywall.
- Drywall end caps should be planned so the end of the drywall end cap post aligns with the face of the perpendicular drywall.
  - The 6" wide three-way post is engineered to accommodate drywall widths up to 5½". They should be planned so the centerline of the post aligns with the centerline of the perpendicular drywall. Contact Architectural Products Engineering prior to shop drawing completion if specifying a door adjacent to a drywall end cap with a ladder pull or non-standard lever set for the door hardware to ensure the door will open a full 90 degrees.
- Drywall end caps are non-defacing. One full height length strip of foam tape is installed to provide an acoustic seal at the demising drywall condition. Allsteel will also supply a piece of foam for the top gap between the ceiling channel and the drywall. Perpendicular drywall should be held back 3⅛" from the front face/trim of the Beyond wall. This allows for 3" wall depth + ⅛" for walls that may not be plumb – the ⅛" space will be sealed with foam tape.
- Drywall end caps connect to door frames, posts, framed glass panels, and solid panels via zippers and to frameless glass utilizing a solid-to-frameless adapter.
- Dimensions
  - Actual and planning dimensions of a two-way drywall end cap are 5" wide.
  - Actual and planning dimensions of a three-way drywall end cap are 6" wide.
  - Specify at the nominal height determined for a run.
  - If multiple panel heights are specified, end caps can be ordered to the tallest nominal panel height and cut in the field for ease of installation.

# Drywall End Caps

Beyond® — Ends



Two-Way



Three-Way

Base Model	Description	Specification
BY-ENDCAP	Drywall End Cap	BY-ENDCAP

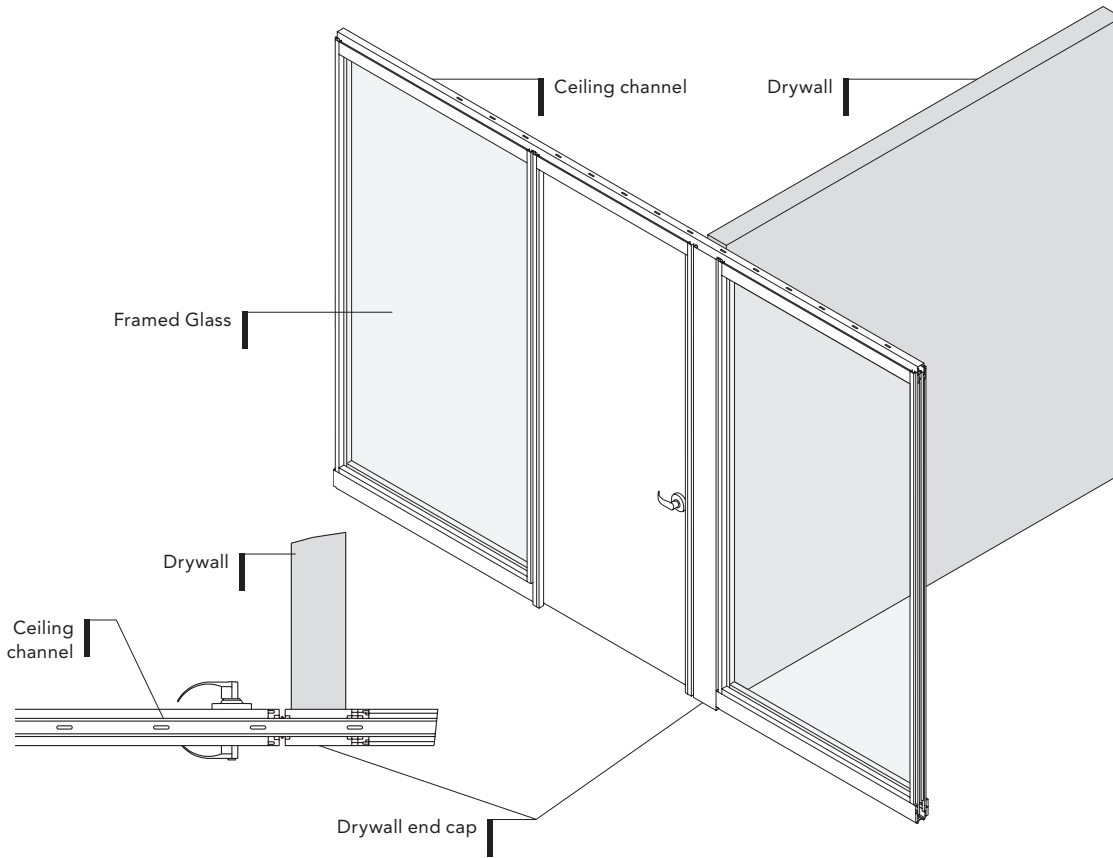
Configuration ID	Specification Description
Product	Beyond
Product Type	Solid or Framed Solid or Framed Stacking
Dimension	18"-120" In ¼" Increments
Trim Type	Drywall End Cap
Trim Use	Two Way Three Way
Finish Color	Painted or Anodized Finishes

Option	Specification Description	Specification
Paint Color Selection	3-digit painted or anodized finish	See <a href="#">Beyond Frame Finishes</a>

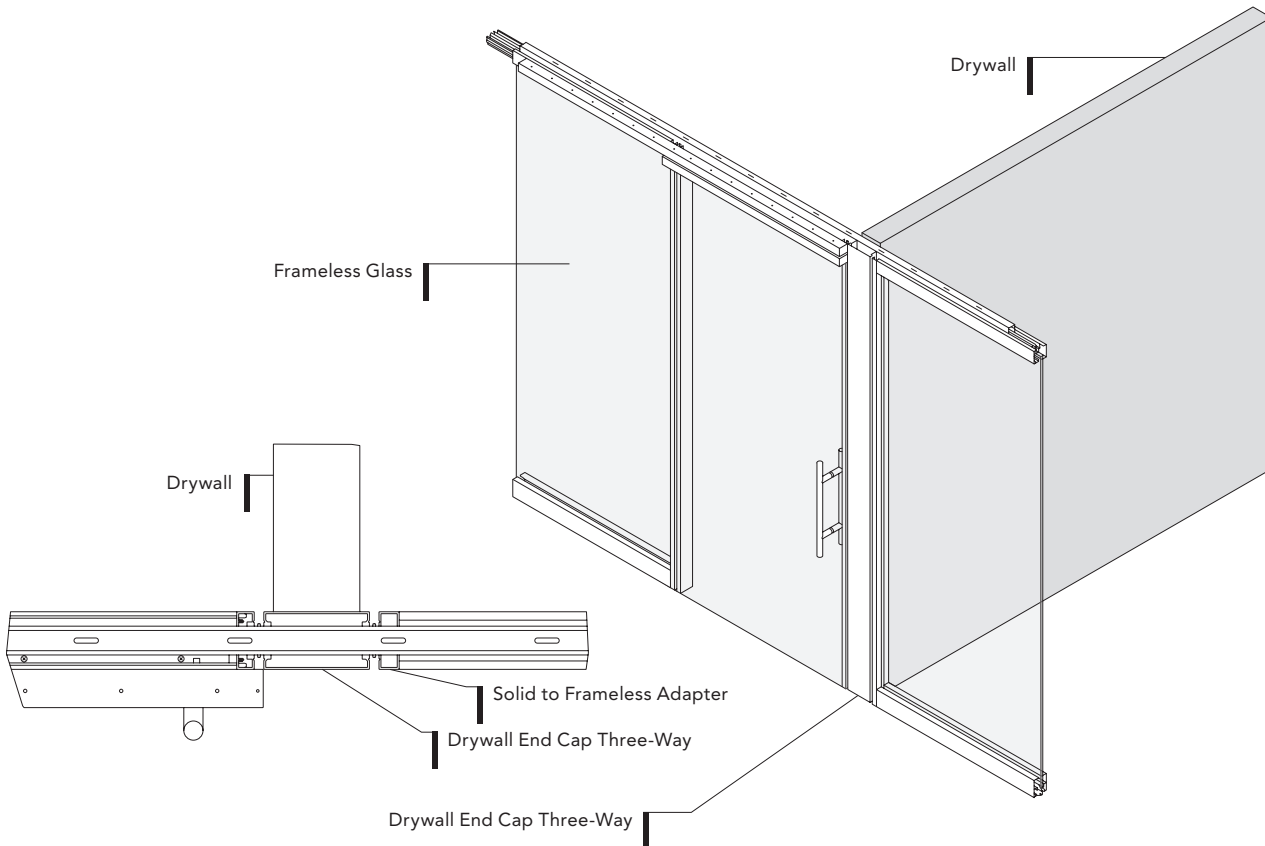
Specification Example: Example: BY-ENDCAP.####.P8X

SEISMIC ZONES  
CEILING CONNECTION & FREESTANDING  
PANEL LEVELING  
FRAMELESS  
FRAMED AND SOLID  
DOORS  
CABANA  
VIZ  
NEW, REVISED, AND DISCONTINUED  
APPENDIX

## Example of Drywall End Cap Connection - Framed Glass



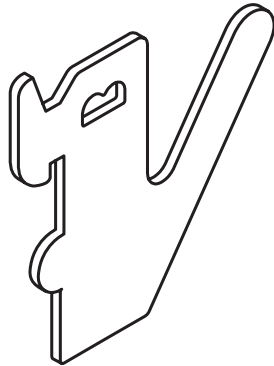
## Example of Drywall End Cap Connection - Frameless Glass



## Vertical Furniture Integration



Hanging Bracket



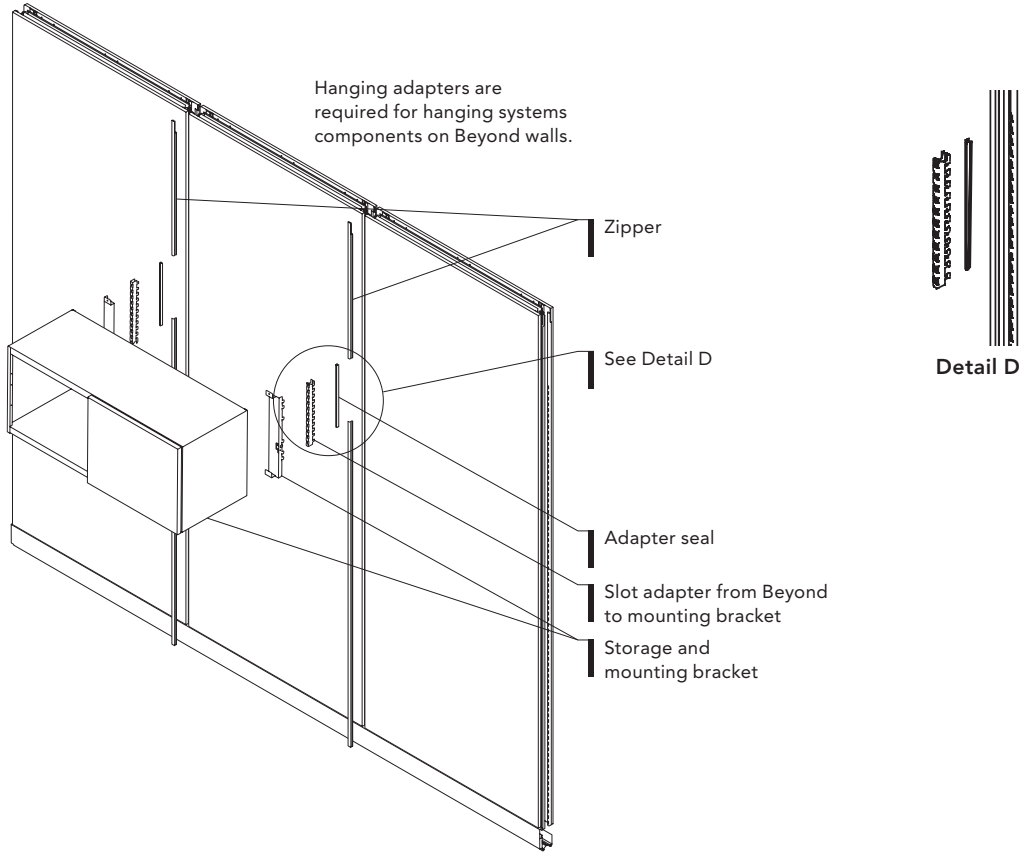
Accessory Hook

- All solid wall frames ship with slotted standards in the vertical reveal to provide furniture-mounting capability. Vertical furniture mounting brackets must be specified to connect furniture components to the slotted standards in the solid wall frame.
  - Utilize Stride®/Terrace® furniture and components for vertical furniture integration.
  - The half-inch reveal option must be specified to allow for furniture mounting utilizing the vertical slotted standards.
  - Integration of furniture components meets applicable systems BIFMA 5.6 requirements.
  - Available in three sizes:
    - Worksurface bracket 3"H.
    - Small 8"H (niche mounting).
    - Large 11"H (overhead and cantilever mounting).
  - Accessory hooks are available to connect into the slotted standards adjacent to the zipper to provide a hook for picture mounting, coats, and accessories.
  - Wood overheads and niches can be mounted to a Beyond panel of equal width for a modular design. An example is a 48"W overhead mounted to a 48"W Beyond panel.
  - Approach overheads can mount off module.
  - Metal overheads can be mounted on a Beyond panel of equal width or up to 18" narrower than the overhead when using an off-module kit. One side of the overhead must be mounted on module. An example of this is a 48"W overhead mounted to a 30"W Beyond panel.
  - Furniture can be positioned vertically on the panel in 1" increments.
  - Other manufacturers' furniture components may be capable of mounting to Beyond utilizing a custom adapter bracket. A sample of the furniture components to be mounted must be sent to Allsteel for the Tailored Products Group to review.
  - Brackets come in painted finishes. Specify Anodized Silver - PR0 to coordinate with Clear, Anodized frame.

SEISMIC ZONES  
 CEILING CONNECTION & FREESTANDING  
 PANEL LEVELING  
 FRAMELESS  
 FRAMED AND SOLID  
 DOORS  
 CABANA  
 VIZ  
 NEW, REVISED, AND DISCONTINUED  
 APPENDIX

## Vertical Furniture Integration

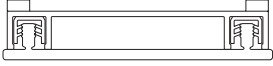
Example of Vertical Furniture Integration:





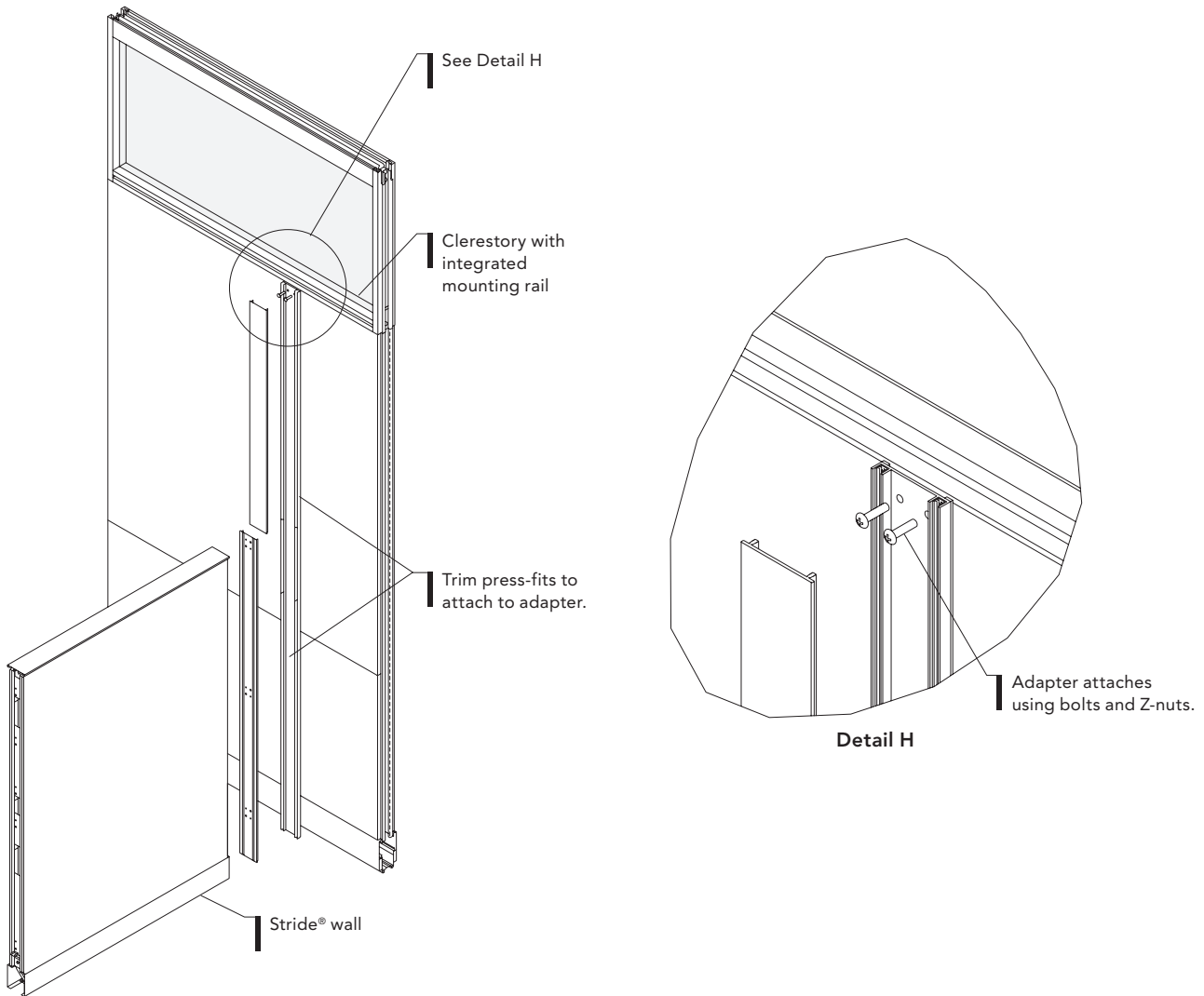
## Off-Modular Adapter Stride® to Beyond – Integrated Mounting Rail

- Off-modular adapter utilizes the integrated mounting rail for framed glass or the integrated mounting rail clerestory for solid wall to connect the adapter.
- Designed for use with 30"H Stride® panels. Adapters to support additional heights available as an engineered-to-order (ETO) model.
- Allows limited routing of data cables.



Off-Modular Adapter, Stride® to Beyond – Integrated Mounting Rail

### Example of Off-Modular Adapter Assembly:





Hanging Bracket

Base Model	Description	Specification
BY-FURNBRACKET	Furniture Adapter Bracket	BY-FURNBRACKET

Option	Specification Description	Specification
Size	Small - 8"H	S
	Large - 11"H	L
	Worksurface - 3"H	W
Paint Color Selection	3-digit painted finish	See <a href="#">Beyond Frame Finishes</a>

*Specification Example:* **BY-FURNBRACKET.S.P8X**

**Note:** Specify Anodized Silver - PR0 to coordinate with Clear, Anodized frame



Accessory Hook

Base Model	Description	Specification
BY-FSHOOK	Accessory Hook	BY-FSHOOK
Paint Color Selection	3-digit painted finish	See <a href="#">Beyond Frame Finishes</a>

*Specification Example:* **BY-FSHOOK.P8X**

**Note:** Specify Anodized Silver - PR0 to coordinate with Clear, Anodized frame



Coat Hook

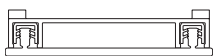
Base Model	Description	Specification
BY-FSCOATHOOK	Coat Hook (for Integrated Mounting Rail)	BY-FSCOATHOOK

Option	Specification Description	Specification
Quantity	Quantity 1	1
	Quantity 50	50
	Quantity 250	250
	Quantity 500	500
Paint Color Selection	3-digit painted finish	See <a href="#">Beyond Frame Finishes</a>

*Specification Example:* **BY-FSCOATHOOK.50.P8X**

**Note:** Specify Anodized Silver - PR0 to coordinate with Clear, Anodized frame



Adapter

Base Model	Description	Specification
BY-FSOFFMOD	Off-Modular Adapter, Stride-to-Beyond (for Integrated Mounting Rail)	BY-FSOFFMOD

Configuration ID	Specification Description
Product	Beyond
Dimension	84"
Trim Type	Wall Channel
Trim Use	Stride Adapter
Finish Color	Painted or Anodized Finishes

Option	Specification Description	Specification
Paint Color Selection	3-digit painted or anodized finish	See <a href="#">Beyond Frame Finishes</a>

*Specification Example:* **BY-FSOFFMOD.####.P8X**

## Modular Electrical for Framed Glass and Solid Walls

Beyond framed glass and solid walls offer a choice of two modular electrical systems:

- Four-circuit, 3+1
- Four-circuit, 2+2

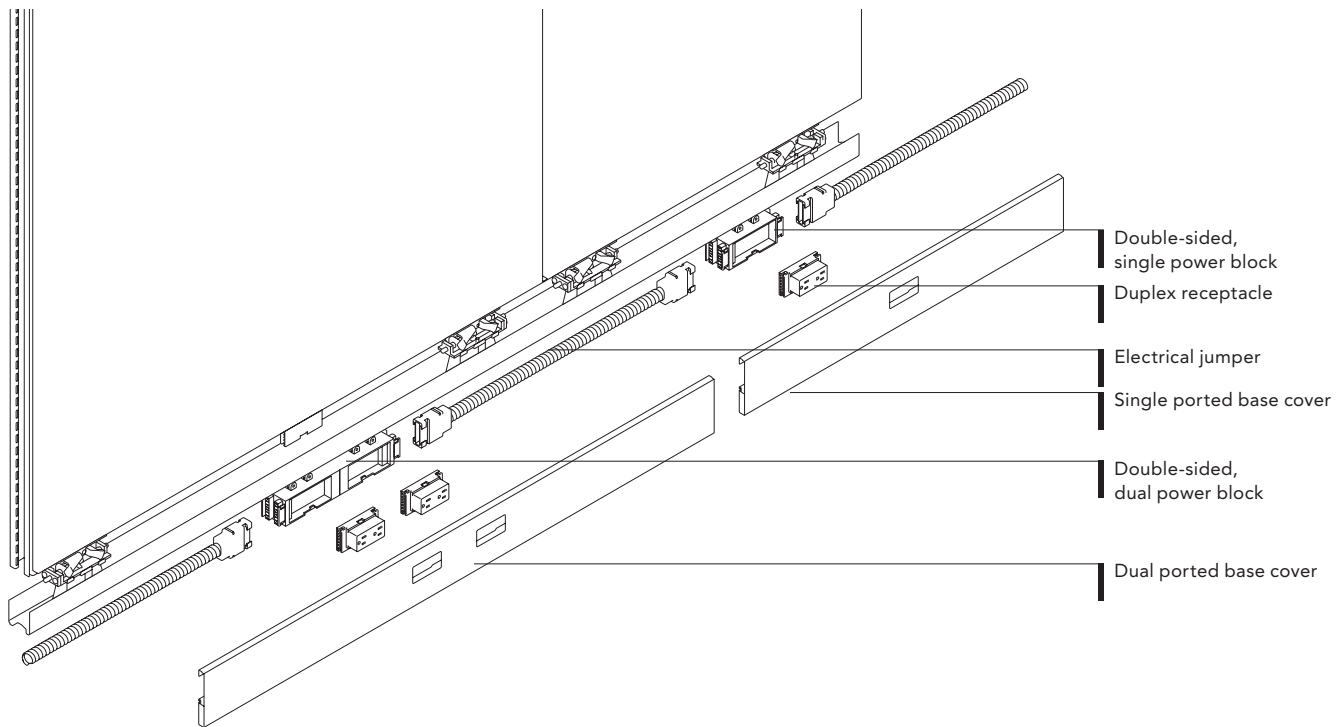
Both systems utilize an 8-wire electrical system, rated at 20 amps per circuit (16 amps plan-able U.S. and 15 amps Canadian). This is the same system used in Allsteel panel systems. Power can route from Beyond and connect to an Allsteel panel system.

Beyond framed glass and solid wall modular electrical components are UL 183 Listed. Electrical components are also CSA certified.

Installation and use of the electrical system, the number of receptacles used on a given circuit, and connections to the building power supply should be in compliance with all local and national electrical codes.

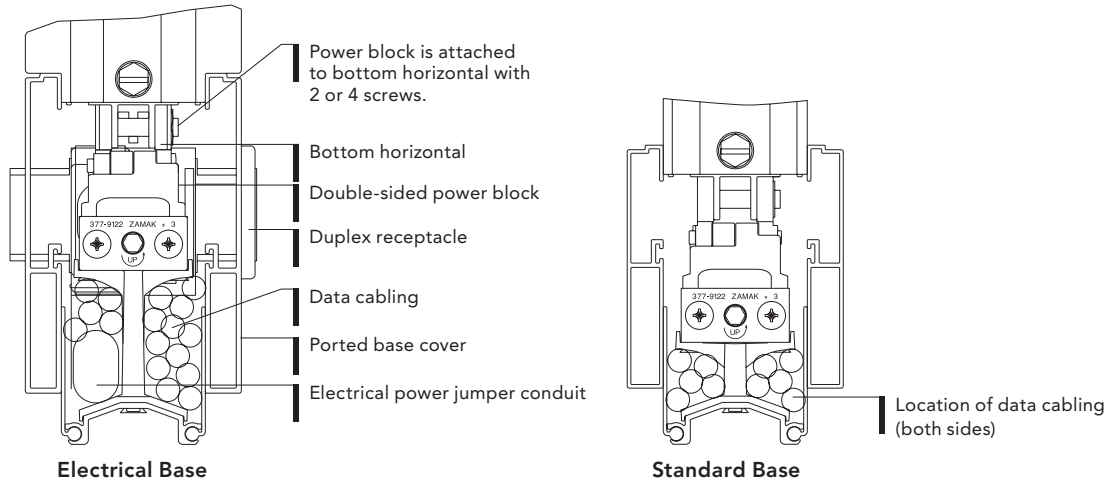
**Caution:** Electrical equipment cords and extension cords must not be routed through cable openings in the walls.

## Modular power assembly for Framed Glass and Solid Walls:



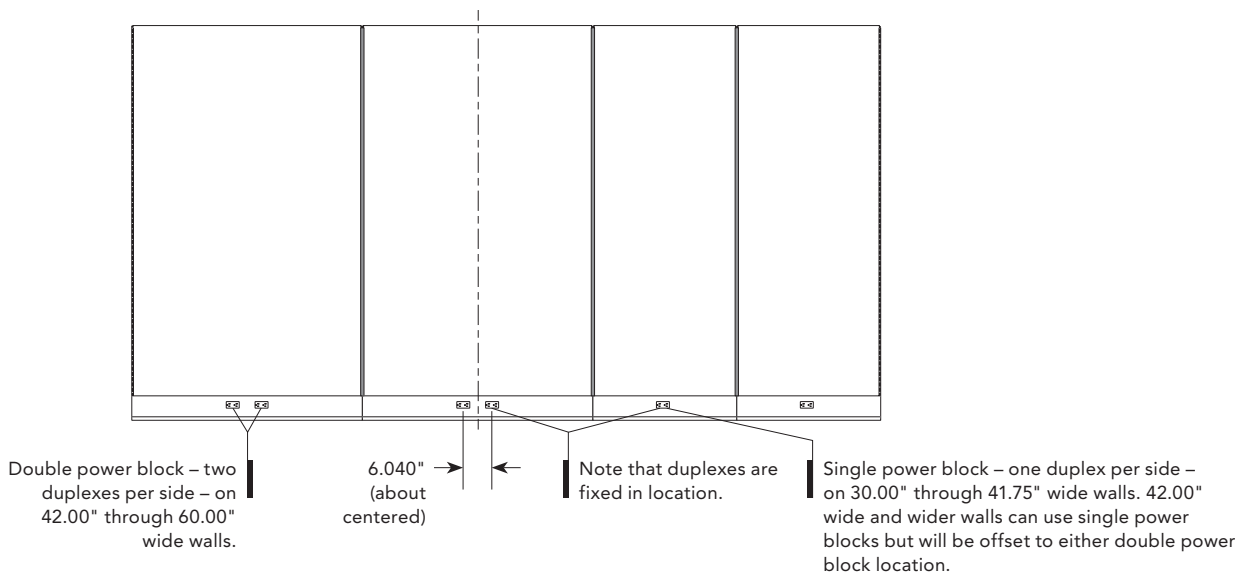
## Electrical base assembly with cable capacity:

- The base pathway allows continuous voice and data lines to run through and between walls without interruption. Lay-in is provided in the base of framed glass and solid walls. Cables will need to be routed through posts.
- Cable capacity is as follows (based on 60% fill ratio of .25" diameter cables):
  - Standard base without electrical: 10 cables
  - Electrical base without electrical: 34 cables
  - Electrical base with electrical conduit on one side: 24 cables

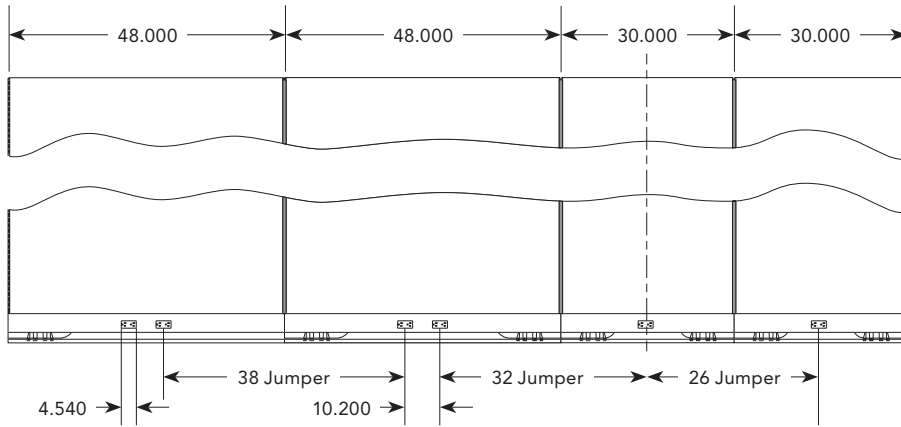


Power blocks are available with single or double receptacle locations:

- Can only be used with framed glass and solid walls specified with the Electrical Base option.
- Posts with access trim are notched at the base to allow power and data to pass through. Other posts must be field-notched.
- Power blocks allow use of duplexes on both sides of the base but do not require them on both sides. Similarly, a double power block does not require duplexes in both or either location.



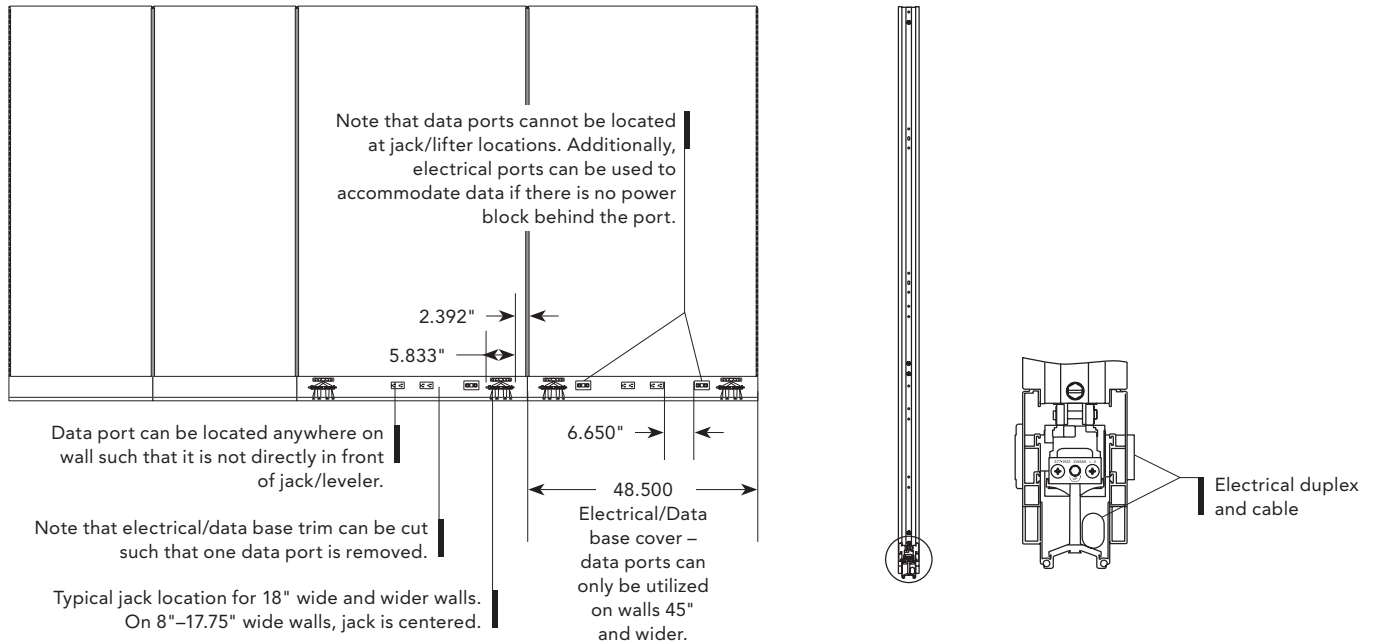
## Power jumper length calculations:



### Modular power jumpers between power blocks are calculated as follows:

- From double power block to double power block (42" wide and wider walls)  
 $\text{Jumper length (inches)} = [(\text{Wall A width} + \text{Wall B width}) / 2] - 10.$
- From single power block to single power block (30" wide through 41.75" wide walls)  
 $\text{Jumper length (inches)} = [(\text{Wall A width} + \text{Wall B width}) / 2] - 4.$
- From double power block to single power block (30" wide through 41.75" wide wall adjacent to a 42" wide and wider wall)  
 $\text{Jumper length (inches)} = [(\text{Wall A width} + \text{Wall B width}) / 2] - 7.$
- Note that if there is an additional wall between the power blocks, add that width to the width of the jumper required.
- When calculating power in-feeds, allow 48" of overall length to remain in the ceiling for attachment to building electrical.
- Additionally, a jumper can run from a single power block to a single power block on a wall wider than 42" (typically for a double power block). These can be in a similar location; far locations or closer locations and will have different jumper lengths for each option.
- If a jumper crosses a post, add 3" to the length of the jumper.

## Electrical and Data Ported Base Trim Details:



When specifying modular electrical:

1. Determine which electrical system you will use after consulting your electrician and computer support personnel:
  - Four-circuit system (4 Hot/2 Neutral/2 Ground)
    - 3+1 option
    - 2+2 option
2. Determine location, quantity, and circuit of duplexes.
3. Determine the appropriate choice and use of Isolated, Isolated/Dedicated, and Separate Neutrals circuits.
4. Specify appropriate Power Harnesses.
5. Determine the location, quantity, and type of Power In-feeds needed.

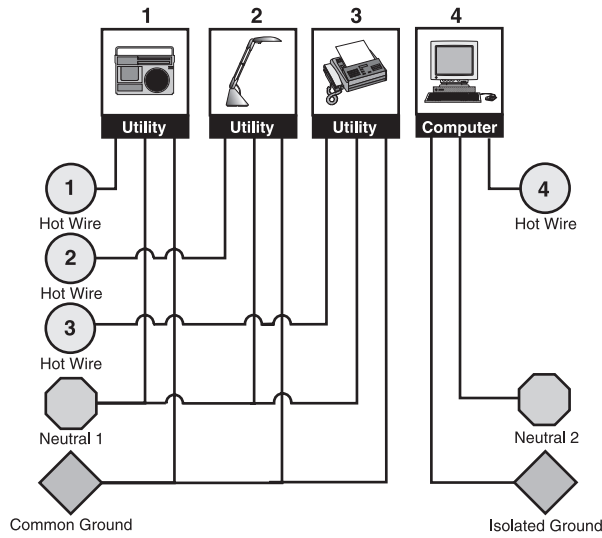
ASHRAE® 90.1 is an Energy Standard that requires some portion of receptacles in an office or workstation be controlled by an automatic control device. This device will switch off power to the controlled circuit(s) when the space is not occupied. Receptacles that are in a switched circuit must be marked per the standard. It is the customer's responsibility to ensure that the specification and installation of the electrical components meets all local and national building codes and all other applicable regulations.

- Utilize modular electrical 2+2 for ASHRAE® 90.1.
  - Live circuits: 1 and 2
  - Switched circuits: 3 (BFS-877517) and 4 (BFS-877509)
  - Control device in the building wiring

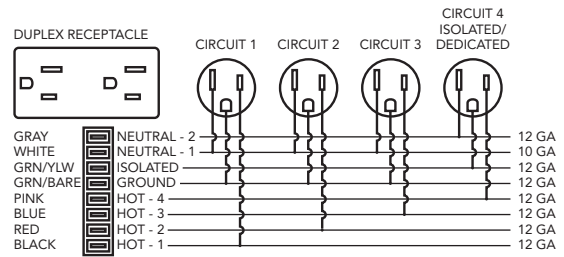
## Flexconnect™ Electrical System Options

The four-circuit, eight-wire electrical system is widely specified and trusted by hundreds of thousands of end users. This proven system delivers four circuits for every power in-feed in either a 3+1 or 2+2 configuration. The isolated/dedicated circuits are ideal for sensitive computing equipment, while the common circuits are suitable for faxes, copiers, task lights, and other peripherals. Both the 3+1 and 2+2 systems use the same pre-wired components, making it easy to adjust as electrical needs change.

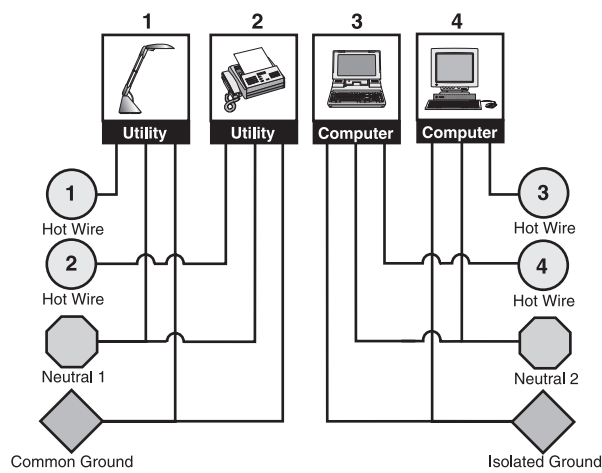
### Four-circuit, 3+1 Receptacle Option



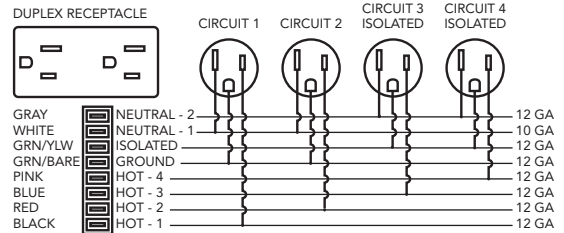
The 3+1 option is the electrical standard used on Allsteel systems for many years in most installations. This wiring option provides three utility circuits plus an isolated/dedicated circuit for more sensitive equipment. Circuit 2 (one of the three common circuits sharing a neutral wire) cannot be used with single-phase building electrical supply.



### Four-circuit, 2+2 Receptacle Option



The 2+2 option is a wiring option that provides two utility circuits and two isolated circuits for more extensive computer usage applications.



CEILING CONNECTION & FREESTANDING  
 PANEL LEVELING  
 FRAMELESS  
 FRAMED AND SOLID  
 DOORS  
 CABANA  
 VIZ  
 NEW, REVISED, AND DISCONTINUED  
 APPENDIX  
 SEISMIC ZONES

Beyond Receptacle Usage					
Two 8-wire, 20-amp (15-amp Canadian) electrical systems are offered					
Electrical System	Circuitry	Receptacle Capacity			
Four-circuit 4 Hot/2 Neutral/2 Ground	3+1	Common Circuit-1 BFS-877501	Common Circuit-2 BFS-877502	Common Circuit-3 BFS-877503	Iso/Dedicated Circuit-4 BFS-877504
	2+2	Common Circuit-1 BFS-877501	Common Circuit-2 BFS-877502	Isolated Circuit-3 BFS-877506	Isolated Circuit-4 BFS-877504

## Duplex Receptacles:



15-amp Receptacle

(1) Circuit 2 (one of the three common circuits sharing a neutral wire) cannot be used with a single-phase building electrical supply.

### Office Equipment Typical Load Values

Item	*Amps
Desktop Computer	4
Laptop Computer	1
Laptop/Monitor/Docking Station	4
Paper Shredder	1.22
Radio	0.05
Scanner	3
Space Heater (1500 watts)	12
Task Light (equiv. 60-watt bulb)	
Fluorescent	0.12
LED	0.08
USB Charger	0.17
LCD Television (42")	1
LCD Monitor (21")	0.5
Bluetooth Speaker	0.1
Desktop Printer	
Inkjet	0.15
Laser	4 to 10
Multimedia Projector	1.7
Sit-to-Stand Height-Adjustable Desk	Idle 0.01 / Max 4
<b>Office Kitchen</b>	
Coffee Maker	10
Microwave	10
Toaster	12.5
Compact Refrigerator	1.5

\*Chart is recommended for planning purposes. Check device specifications for exact amperage. Consult with your electrician regarding the applicable configurations.

### Examples of Component Usage based on the Office Equipment Typical Load Values Chart

#### Power Option 3+1

Dedicated Circuit 4: 4 desktop computers with 2 monitors each; or 10 laptop computers  
Utility Circuits 1, 2, 3: Height-adjustable tables and ancillary items

#### Power Option 2+2

Dedicated Circuit 3: 4 desktop computers with 2 monitors each; or 10 laptop computers  
Dedicated Circuit 4: 4 desktop computers with 2 monitors each; or 10 laptop computers  
Utility Circuits 1, 2: Height-adjustable tables and ancillary items

#### Power Option 3 (Circuit-separate neutrals)

Dedicated Circuit 3: 4 desktop computers with 2 monitors each; or 10 laptop computers  
Utility Circuits 1, 2: Height-adjustable tables and ancillary items

## Circuit Usage

### Strategy 1

#### Circuits to Equipment

Assign specific uses for each of the circuits. For example:

- Circuit 1 – Calculators, Fans, etc.
- Circuit 2 – Task Lights
- Circuit 3 – Monitors
- Circuit 4 – CPUs

### Strategy 2

#### Circuits to Offices

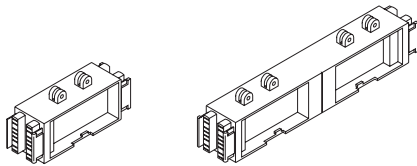
Assign specific offices to each of the three available circuits. Use circuit 4 for power-sensitive electronic equipment.



## Modular Electrical Components

### Power Blocks

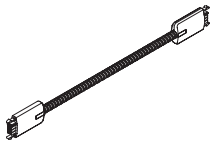
- Specify a single centered power block for walls 30" wide to 41¾" wide.
- Specify an offset single or centered double power block for walls 42" wide to 60" wide.
- Power blocks are double sided and provide power access to both sides of the wall. Power may be accessed on a single side only if not needed on both sides of the wall.
- Connections at both ends of the power block allow power distribution in either direction.
- Power blocks attach with screws to pre-milled holes in the wall frame.



Single Power Block      Double Power Block

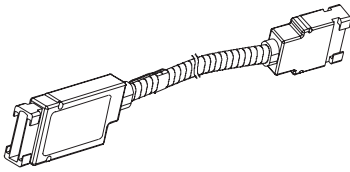
### Power Jumper Cables

- Electrical jumper cables connect power from power block to power block.
- Post width (3") must be added to the power jumper cable length when crossing a post condition.



SEISMIC ZONES  
CEILING CONNECTION & FREESTANDING  
PANEL LEVELING  
FRAMELESS  
FRAMED AND SOLID  
DOORS  
CABANA  
VIZ  
NEW, REVISED, AND DISCONTINUED  
APPENDIX

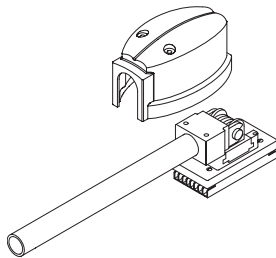
## Pass-Thru without Power Block



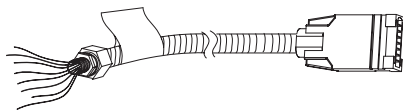
## Electrical In-feeds

- Power in-feed cables deliver power from the building to the wall's electrical system.
- In-feed cables are housed in conduit to separate the electrical system from communication and data lines.
- Select the quantity of base or ceiling in-feed cables depending on individual power requirements.
  - Sealtight Base Pathway Power In-feed
    - Attaches to any receptacle opening in the base pathway.
    - A heavy rubber sheathing shields conduit, allowing in-feed to be exposed.

## Base Power In-Feed

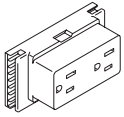


## Ceiling Power In-Feed

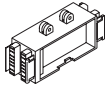


- Connects to a powerblock and travels in the base pathway and up through a post or wall channel to above the ceiling. An electrician will then connect to the building power supply.
- Most codes permit flex conduit to be exposed after installation. Verify code requirements before ordering for an exposed application.

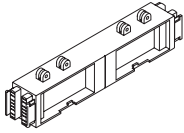
## Duplex Receptacles



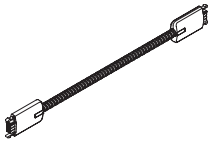
- Duplex receptacles snap into power blocks.
- Available in multiple colors. [See the Materials and Finishes section for available color options.](#)
- Each receptacle is labeled to indicate which circuit it will be connected to: 1, 2, 3, or 4.
- Specify duplexes to support either 3+1 and 2+2 electrical systems.
- Duplexes for switched receptacles are marked as required by ASHRAE® 90 and must be specified as switched receptacles.



Single



Double



Jumper

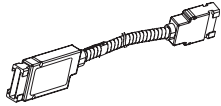
Base Model	Description	Specification
BY-FS8PBLOCK	Power Block, 8-Wire	BY-FS8PBLOCK
Option	Specification Description	Specification
Quantity	Single	4C-S
	Double	4C-D

Specification Example: **BY-FS8PBLOCK.4C-S**

Base Model	Description	Specification
BY-FS8JUMPER	Jumper, 8-Wire	BY-FS8JUMPER
Option	Specification Description	Specification
Length	24"W	4C-24W
	27"W	4C-27W
	30"W	4C-30W
	33"W	4C-33W
	36"W	4C-36W
	39"W	4C-39W
	42"W	4C-42W
	45"W	4C-45W
	48"W	4C-48W
	51"W	4C-51W
	54"W	4C-54W
	57"W	4C-57W
	60"W	4C-60W
	63"W	4C-63W
	66"W	4C-66W
	69"W	4C-69W
	72"W	4C-72W
	75"W	4C-75W
	78"W	4C-78W
	81"W	4C-81W
84"W	4C-84W	
87"W	4C-87W	
90"W	4C-90W	
93"W	4C-93W	
96"W	4C-96W	
99"W	4C-99W	
102"W	4C-102W	
105"W	4C-105W	
108"W	4C-108W	
111"W	4C-111W	
114"W	4C-114W	
117"W	4C-117W	
120"W	4C-120W	

Specification Example: **BY-FS8JUMPER.4C-24W**

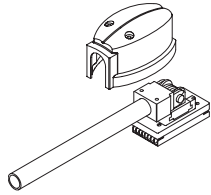
# Framed and Solid Electrical and Data Beyond® — Pass-Thru, In-feeds, & Duplex



Jumper

Base Model	Description	Specification
BY-FS8PASSTHRU	Pass-Thru without Power Block, 192"	BY-FS8PASSTHRU

Specification Example: **BY-FS8PASSTHRU**



Base In-Feed

Base Model	Description	Specification
BY-FS8BINFEED	Base In-Feed, 8-Wire, 72"	BY-FS8BINFEED

Specification Example: **BY-FS8BINFEED**

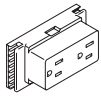


Ceiling In-Feed

Base Model	Description	Specification
BY-FS8CINFEED	Ceiling In-Feed, 8-Wire	BY-FS8CINFEED

Option	Specification Description	Specification
Length	144"W	4C-144W
	216"W	4C-216W

Specification Example: **BY-FS8CINFEED.4C-144W**



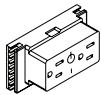
Duplex Receptacle

Base Model	Description	Specification
BY-FS8DUPLEX	Duplex, 8-Wire	BY-FS8DUPLEX

Option	Specification Description	Specification
Circuit Type	Circuit 1	4C-DC1
	Circuit 2	4C-DC2
	Circuit 3	4C-DC3
	Circuit 4 (iso/dedicated)	4C-DC4
	Circuit 3 (2+2)	4C-DC3-2
	Circuit 3 Switched (2+2)	4C-SDC3-2
	Circuit 4 Switched 2+2)	4C-SDC4-2

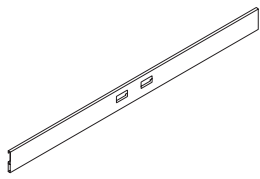
Receptacle Data Color Options 2-digit electrical code [See Beyond Electrical Finishes - Framed and Solid Panels](#)

Specification Example: **BY-FS8DUPLEX.4C-DC1.E4**

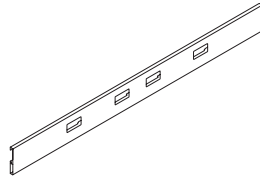


Switched Circuit

## Base Trim with Electrical/Data Ports



Electrical Ported Base Trim

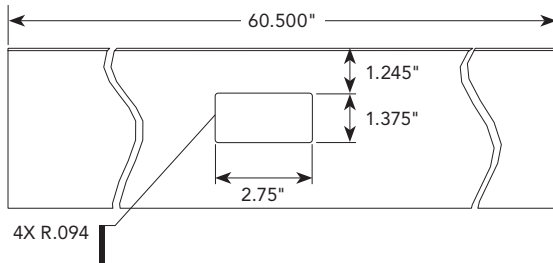


Electrical and Data Ported Base Trim

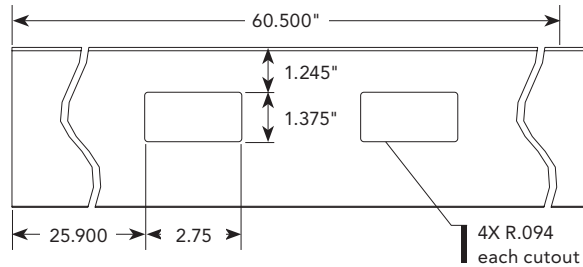
See page 77 for specification.

- Utilize the electrical base trim for projects with modular electrical. Base trim connects to the base channel and is specified on both sides of the panel. The electrical base trim is 1" taller than the standard, non-electrical trim.
- $4\frac{5}{8}$ " H for trim itself.
- $5\frac{3}{16}$ " H from finished floor to top of trim with nominal reveal of  $\frac{3}{4}$ ".
- Non-ported electrical base trim is available in 120" lengths only.
- Framed and solid pre-ported base trim at  $60\frac{1}{2}$ "W is available for single or double receptacles.
- Can be utilized on panels with minimum width of 45".
- Base trim that is  $48\frac{1}{2}$ "W with QTY (2) additional data ports allows data to be placed to the right or left of the duplex receptacles. This is available for double receptacles only. Trim can be cut in the field so that one data port is removed if it's not used.
- Due to wall depth, back-to-back data modules should not be used. If required, it is recommended that extended data faceplates be used. Width is 48".
- All electrical and data ported trim for framed and solid panels comes with enhanced gasketing.

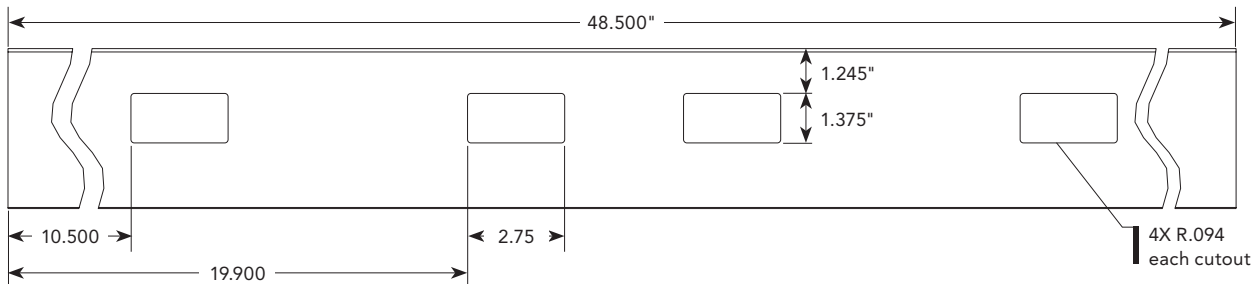
### Single Port:



### Double Port:



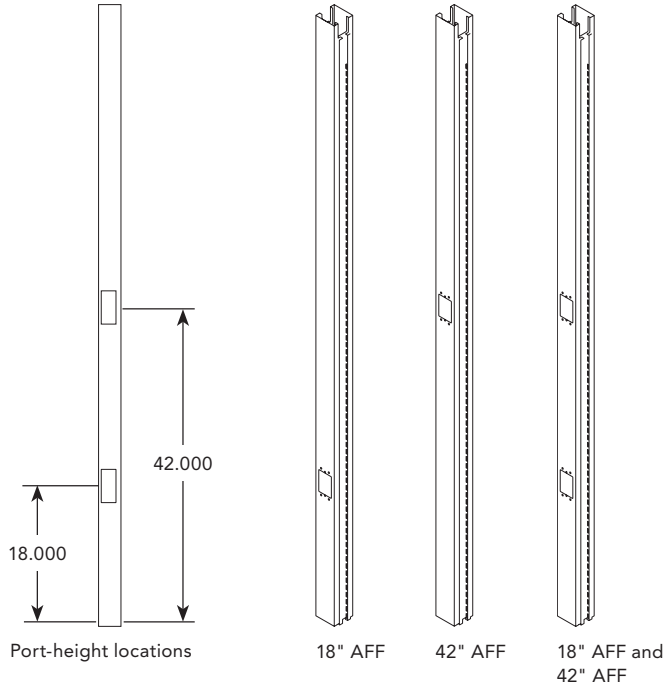
### Double Port + Data:



## Hardwired Electrical for Framed Glass and Solid Walls

Framed glass and solid walls have several options to support hardwired electrical:

- In-line electrical post with ports and junction boxes
- Base channel junction box available as a custom option
- Ported wall frames and tiles for electrical routing (solid walls only)



See page [231](#) for specification details.

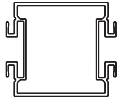
## In-line Electrical Post with Ports and Junction Boxes

Framed glass and solid walls can be hardwired with power utilizing the in-line electrical post. Electrical posts ship with ports in the posts and junction boxes for an electrician to wire.

In-line electrical posts can connect directly to a door frame or wall utilizing a zipper.

Porting is available at 18" AFF, 42" AFF, or both 18" AFF and 42" AFF.

- 18" AFF indicates 18"H to the centerline of the receptacle above finished floor.
- 42" AFF indicates 42"H to the centerline of the receptacle above finished floor.



Profile View

Base Model	Description	Specification
BY-EPOST	In-line Electrical Ported Post	BY-EPOST

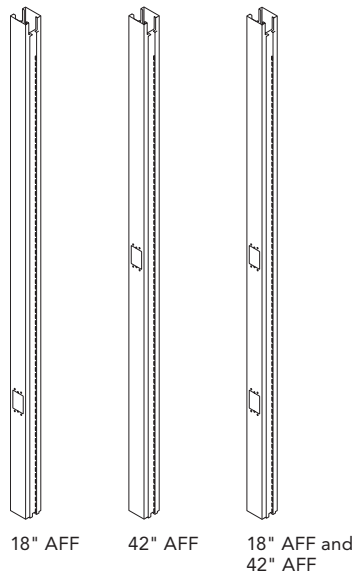
  

Configuration ID	Specification Description
Product	Beyond
Dimension	48" - 120" In 1/4" Increments
Trim Type	Post
Trim Use	Straight
Trim Style	Electrical
Port Type	Single Port Double Port
Finish Color	Painted or Anodized Finishes

Option	Specification Description	Specification
Paint Color Selection	3-digit painted or anodized finish	See <a href="#">Beyond Frame Finishes</a>

Specification Example: **BY-EPOST.####.P8X**

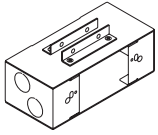




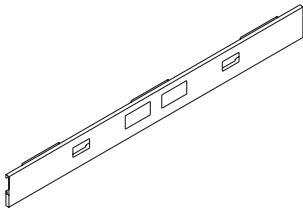
## Base Channel Junction Box

For Chicago Code compliance, utilize the base channel junction box for electrical in the base channel with the hardwire box and box trim. Customer must furnish conduit, wiring and receptacles.

The Hardwired box consists of a UL Listed junction box that mounts in electrical base height framed glass or solid walls base area. These boxes are field-installed and wired. They are shipped as single-sided configuration and can convert to dual-sided by removing the plate on the rear of the box. Requires use of specific base trim made for this box. It is configured for dual boxes on 48" wide panels with data cutouts. It can be cut to be used for other configurations.

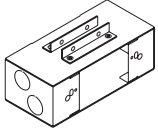


### Hardwired box for base



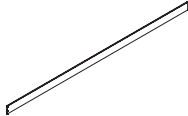
Utilize 48"W electrical trim ported for double receptacles only with additional data ports when utilizing a hardwired box. This allows data to be placed to the right or the left of the duplex receptacles. The data port not used is field cut off of the trim prior to installing on wall. See page [233](#) for specification detail.

# Framed and Solid Electrical and Data Beyond® — Chicago Code Electrical Box

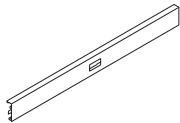


Base Model	Description	Specification
BY-FSCHICAGOBOX	Chicago Code Base Power Electrical Box	BY-FSCHICAGOBOX

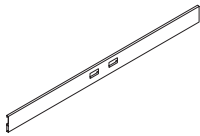
Specification Example: BY-FSCHICAGOBOX



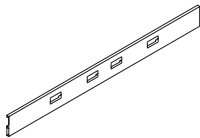
No Ports



Single Receptacle Port



Double Receptacle Port



Double Receptacle Ports with Double Data Ports

Base Model	Description	Specification
BY-FSBTE	Framed and Solid Electrical Base Trim	BY-FSBTE

Configuration ID	Specification Description
------------------	---------------------------

Product	Beyond
Product Type	Framed/Solid
Dimension	96 or 120 - Non-Ported 60" - Single, Double, Single - Chicago, Double - Chicago 48" - Double with Data
Trim Type	Base
Trim Use	Straight Straight Ported
Trim Style	Electrical
Port Quantity	Non-Ported Single Double Double with Data Single - Chicago Double - Chicago
Finish Color	Painted or Anodized Finishes

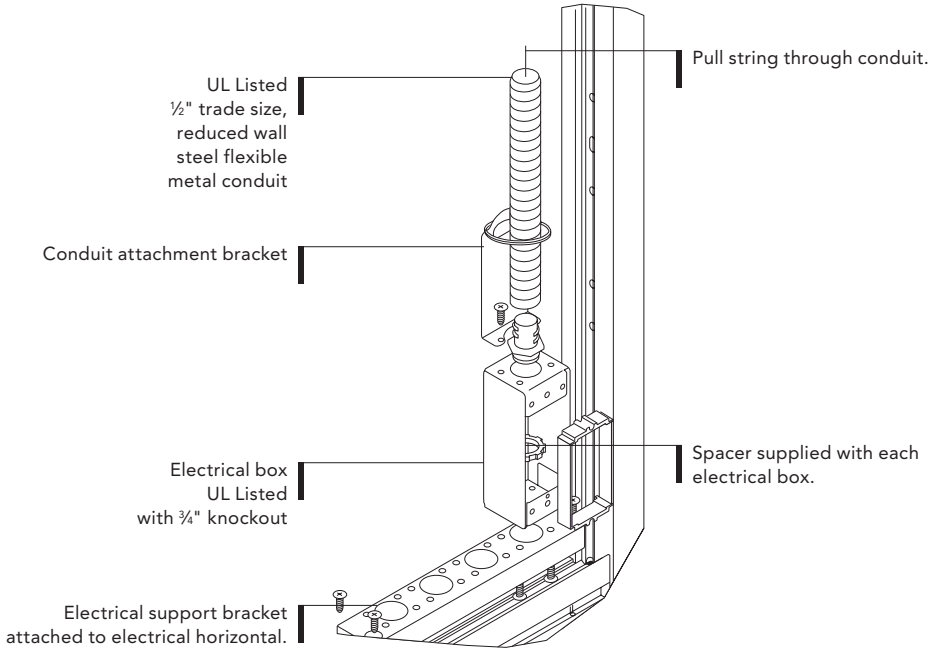
Option	Specification Description	Specification
Paint Color Selection	3-digit painted or anodized finish	See <a href="#">Beyond Frame Finishes</a>

Specification Example: BY-FSBTE.####.P8X

## Solid Walls Ported Wall Frames and Tiles for Electrical Routing

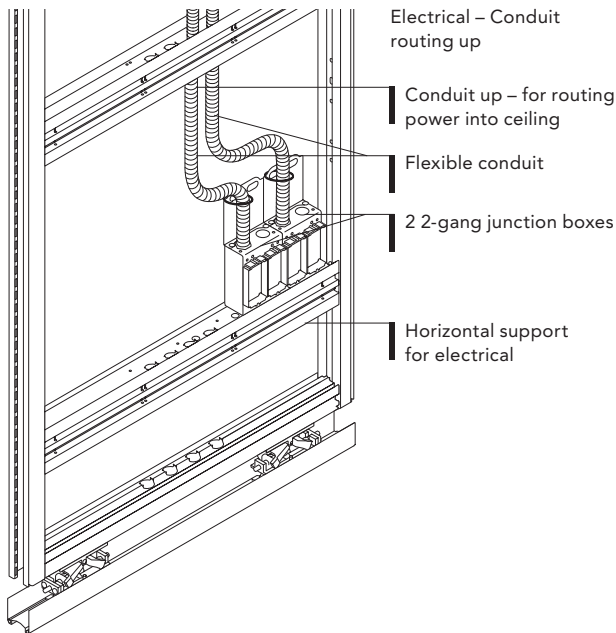
Electrical ported solid wall frames have junction boxes and conduit installed and allow for wiring without the removal of tiles. A pull string is routed through the conduit to allow the electrician to tie on the wire and pull through the conduit to the junction box.

Solid walls including the junction boxes, conduit, and connections are UL Listed under Sections and Units file number E465543. Conduit is UL Listed flexible metal conduit  $\frac{1}{2}$ " trade size. Boxes are UL Listed metallic outlet boxes.

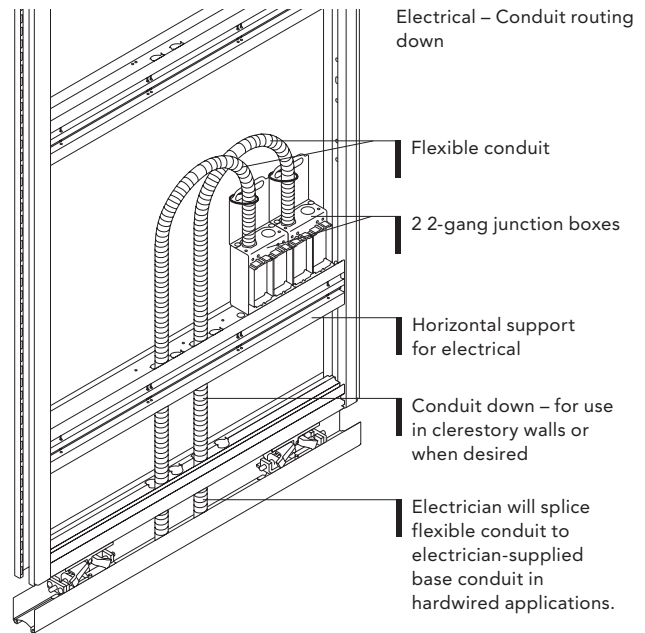


SEISMIC ZONES  
CEILING CONNECTION & FREESTANDING  
PANEL LEVELING  
FRAMELESS  
FRAMED AND SOLID  
DOORS  
CABANA  
VIZ  
NEW, REVISED, AND DISCONTINUED  
APPENDIX

Conduit routing can be specified to route up through the top of the wall to support power routing from above. Conduit routing may also be specified to route down into the base channel to support power routing from below. When integrated glass tiles are used, conduit routing must route into the base channel. If power is coming from above, wiring can be routed through the posts and into the base channel in these situations.



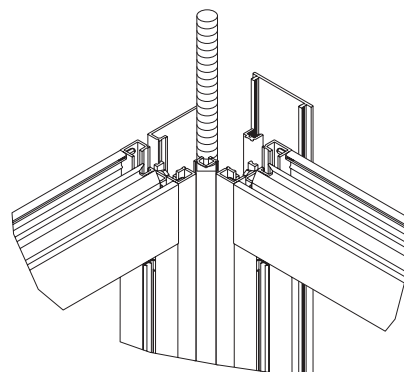
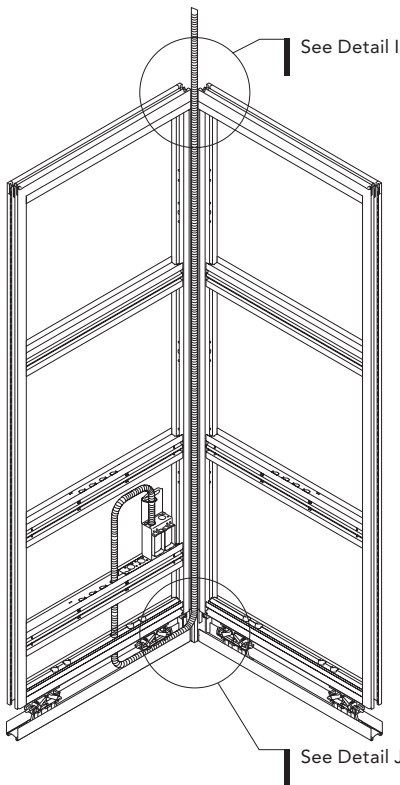
Conduit Routing Up (specify Up option)



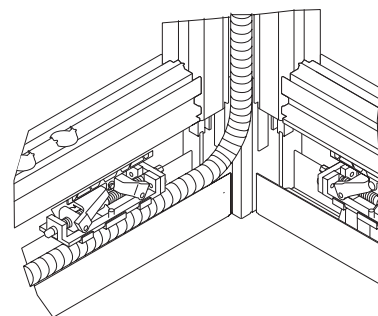
Conduit Routing Down (specify Down option)

Wiring can be routed through wall channels and finished ends, and straight, two-way, and three-way posts to the floor. Wiring may not be routed through a four-way post. Posts with access trim are notched at the base to allow power and data to pass through. Other posts must be field-notched.

When feeding conduit past scissor lifts, conduit size will need to be reduced from 1/2" trade size due to space constraints.



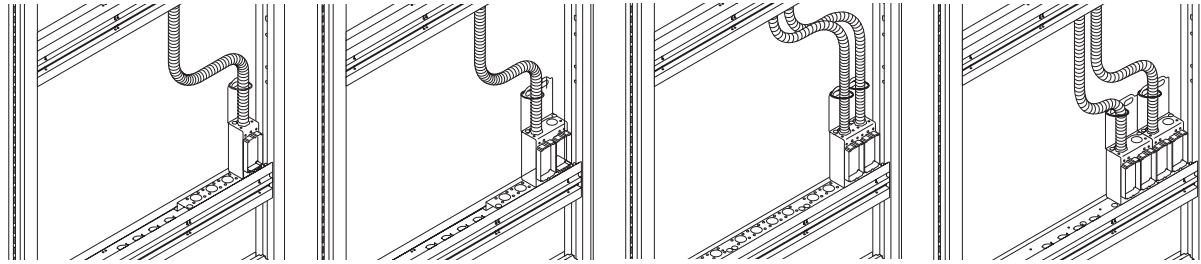
Detail I



Detail J

Junction boxes are available in single, double, and quad options. Junction boxes are sized to accommodate industry-standard receptacles and faceplates allowing walls to use the same electrical components being used in the building.

- Single boxes have one conduit routing to the box.
- Double boxes have a choice of one or two conduits routing to the box.
  - Utilize two for separation of power and data.
- Quad boxes have two conduits routing to the box.
  - One conduit supports two receptacles for power.
  - One conduit supports the other two device locations for power or data separation.



Single with One Conduit

Double with One Conduit

Double with Two Conduits

Quad with Two Conduits

Electrical Ported Frames and Tiles are available with ports on one or both sides. Port locations are specified for Side A and Side B of the frame to identify port locations for each side. Ports can be located on the right, left, or center of the frame. Centered ports are only available single sided. Left or right ports can be double sided (left side on both sides of the frame or right side on both sides of the frame).

Ports can be placed vertically in  $\frac{1}{16}$ " increments.

Each solid frame has horizontal supports for stability. Horizontal members are also used to hold junction boxes, which can hang above or below the segment bar.

There are some constraints to junction box location to avoid interference between segment bars needed for frame support and segment bars used to support junction boxes. Minimum distances also must be observed to avoid interference with the top and bottom horizontal members of the frame.

Note also that each frame can support 4 conduits routing up or down. All conduit must route in the same direction. If conduit is to route in different directions, an engineered-to-order panel can be requested.

Note that segment bars are counted from bottom to top, so Segment 1 is the first segment bar AFF.

## Segment 1 AFF Placement

- With standard base trim
  - 7<sup>3</sup>/<sub>4</sub>" minimum AFF with junction box attached above the segment bar with horizontal options of Left / Center / Right position. Conduit can route up or down.
  - 13<sup>5</sup>/<sub>16</sub>" minimum AFF with junction box attached below segment bar with horizontal option of Center position. Conduit can route up or down.
  - 16<sup>5</sup>/<sub>16</sub>" minimum AFF with junction box attached above segment bar with horizontal option of Left or Right position. Conduit can route up or down.
- With electrical base trim, the minimum allowed bar placement increases by 1". All other rules are the same.
- Maximum placement of Segment 1 is 46<sup>3</sup>/<sub>4</sub>" AFF.

## Top Segment AFF Placement

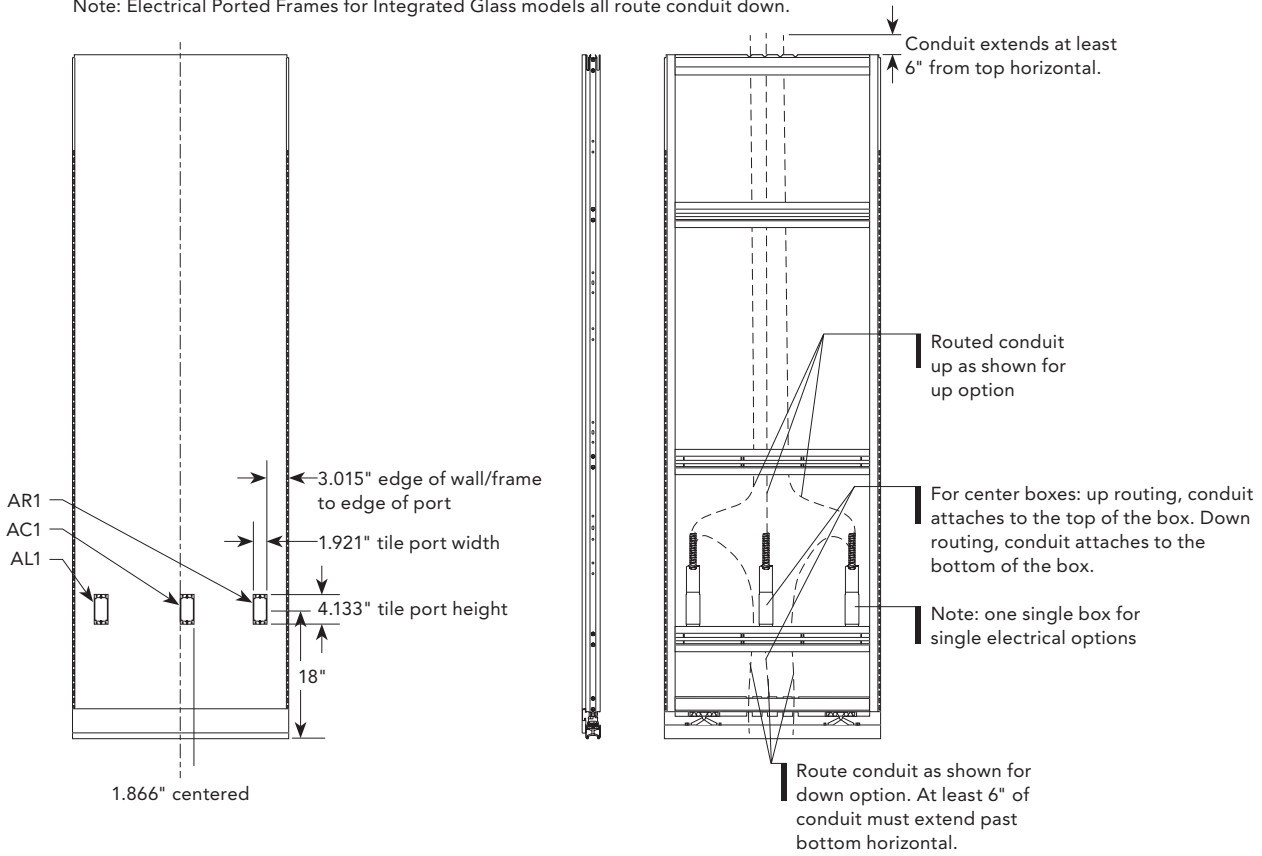
- To avoid interference with top channel, the top segment must observe the following minimum distances from the top:
  - 5<sup>3</sup>/<sub>4</sub>" minimum distance from the ceiling / top for a junction box attached below the segment bar with horizontal options of Left / Center / Right position. Conduit can route up or down.
  - 13<sup>1</sup>/<sub>4</sub>" minimum distance from the ceiling / top for a junction box attached above the segment bar with horizontal option of Left, Right or Center position. Conduit can route up or down.

## Segment 2-8 AFF Placement - when not used as top segment

- These segments, when used between Segment 1 and the Top Segment, must follow these minimum dimensions:
  - 3<sup>1</sup>/<sub>2</sub>" minimum space between 2 adjacent segment bars
  - 9<sup>1</sup>/<sub>2</sub>" minimum space when there is 1 junction box located between the adjacent segment bars in the Center position
  - 12<sup>1</sup>/<sub>2</sub>" minimum space when there is 1 junction box located between the adjacent segment bars in the Left or Right position
  - 21" minimum space where there are 2 junction boxes with the same horizontal alignment above / below in Left, Right or Center position
- The maximum space between these segments is 42<sup>3</sup>/<sub>4</sub>"

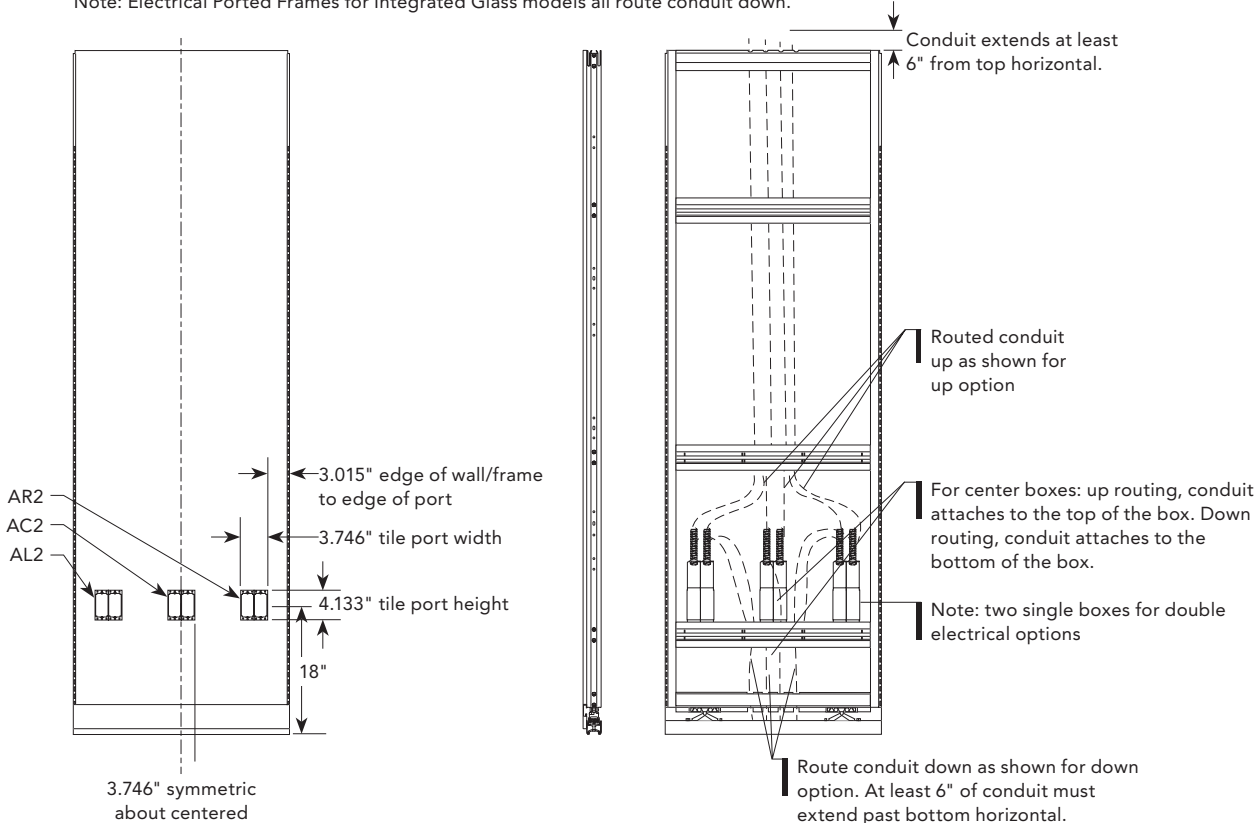
## Single Junction Box with One Conduit Port Location: 18"H AFF:

Note: Electrical Ported Frames for Integrated Glass models all route conduit down.



## Double Junction Box with Two Conduit Port Locations: 18"H AFF:

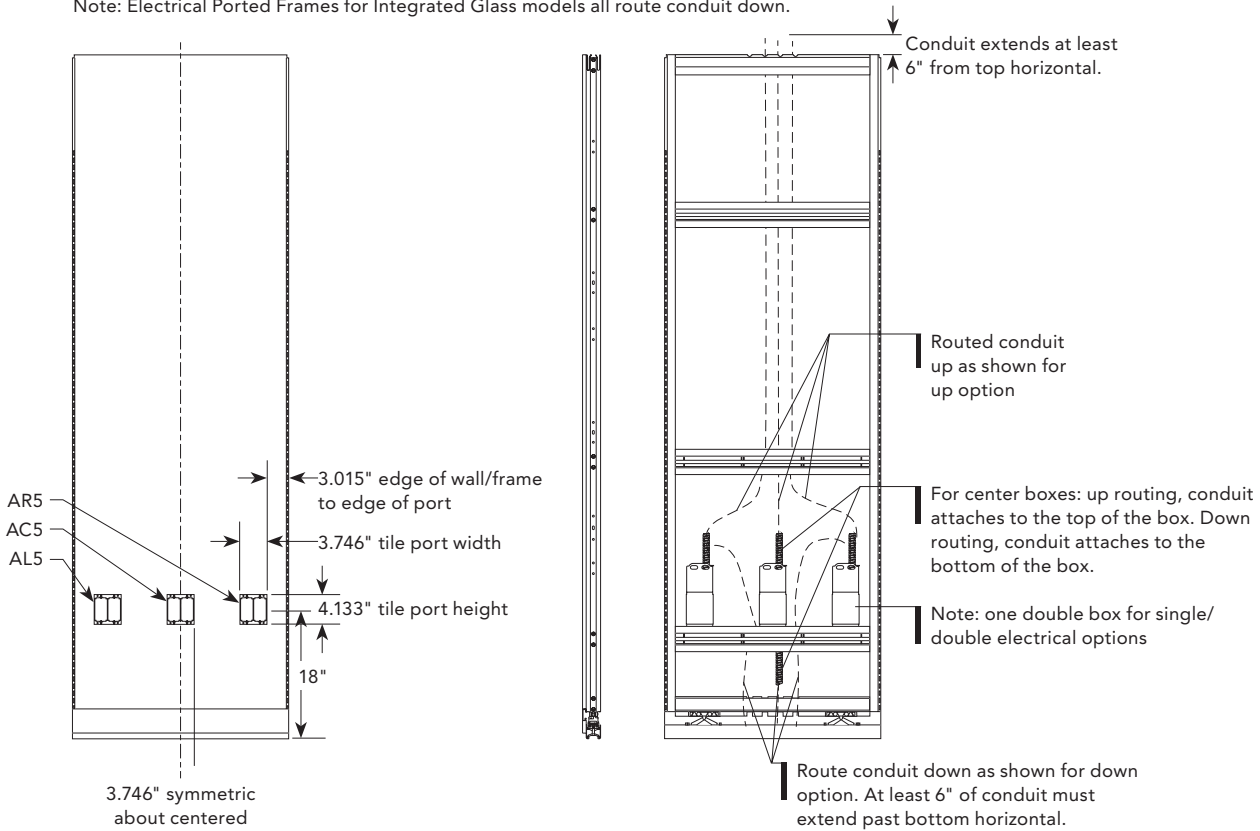
Note: Electrical Ported Frames for Integrated Glass models all route conduit down.



SEISMIC ZONES  
CEILING CONNECTION & FREESTANDING  
PANEL LEVELING  
FRAMELESS  
FRAMED AND SOLID  
DOORS  
CABANA  
VIZ  
NEW, REVISED, AND DISCONTINUED  
APPENDIX

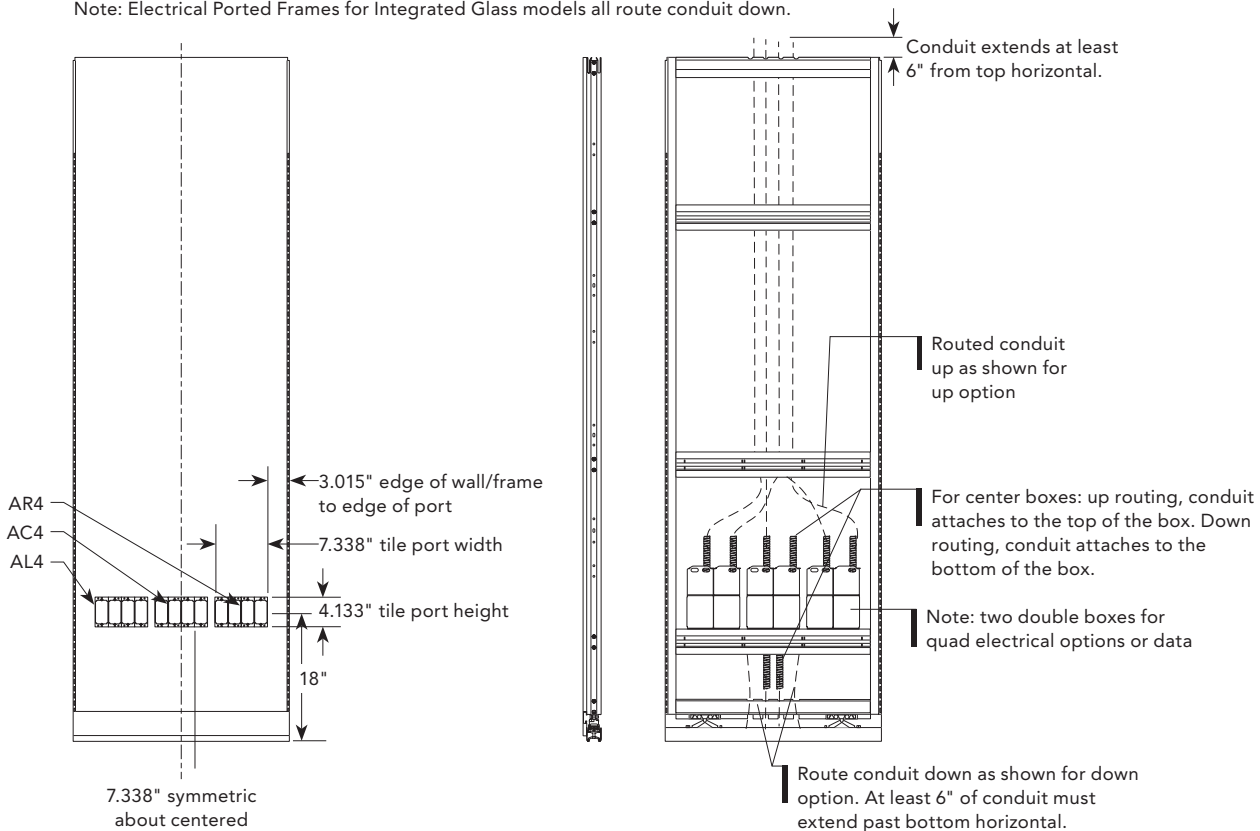
## Double Junction Box with One Conduit Port Location: 18"H AFF:

Note: Electrical Ported Frames for Integrated Glass models all route conduit down.



## Quad Junction Box with Two Conduit Port Locations: 18"H AFF:

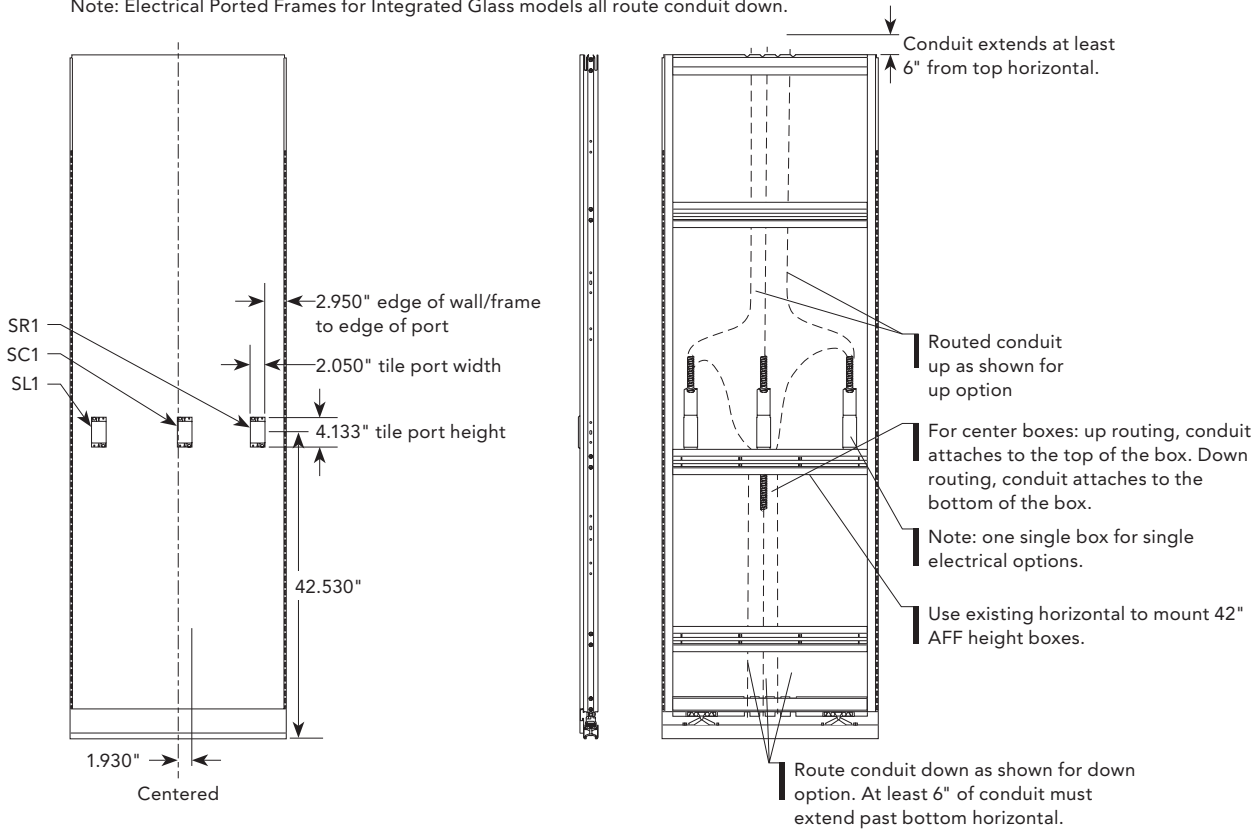
Note: Electrical Ported Frames for Integrated Glass models all route conduit down.





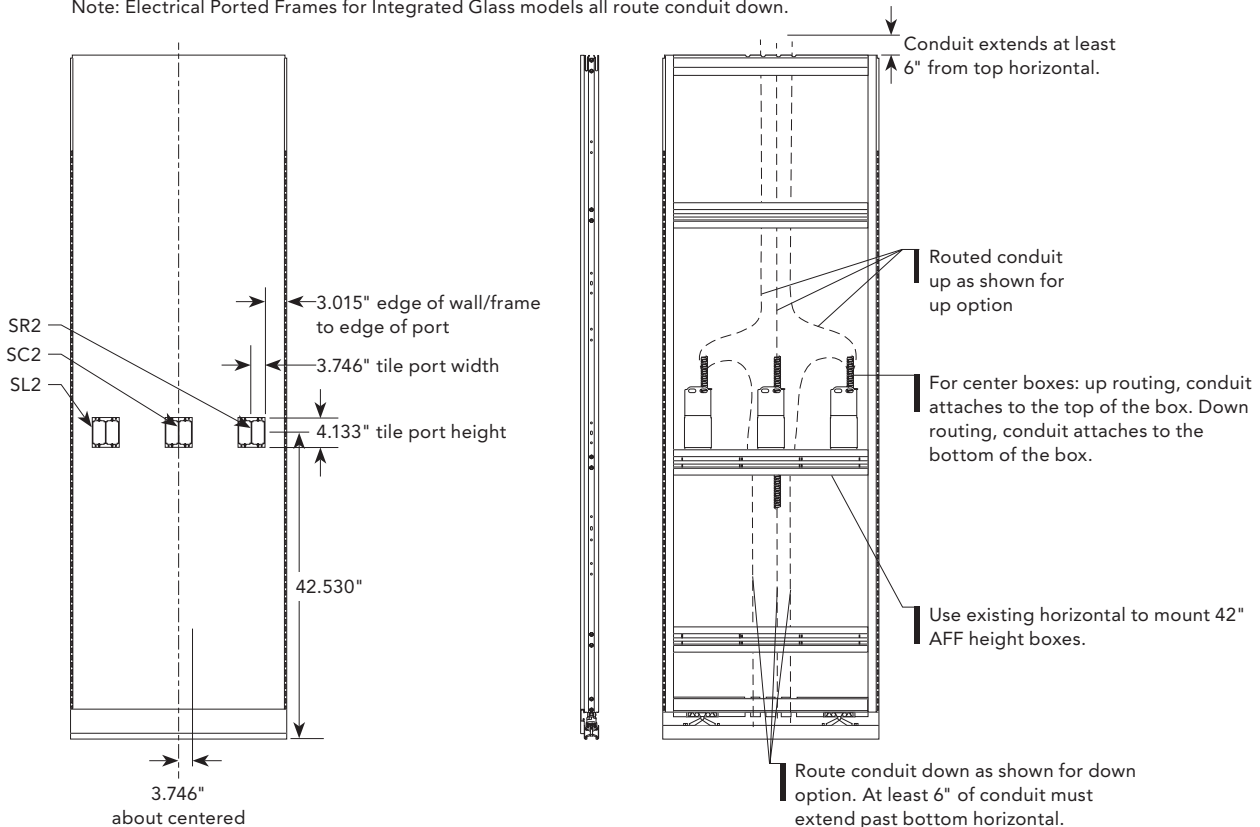
## Single Junction Box with One Conduit Port Location: 42"H AFF:

Note: Electrical Ported Frames for Integrated Glass models all route conduit down.



## Double Junction Box with One Conduit Port Location: 42"H AFF:

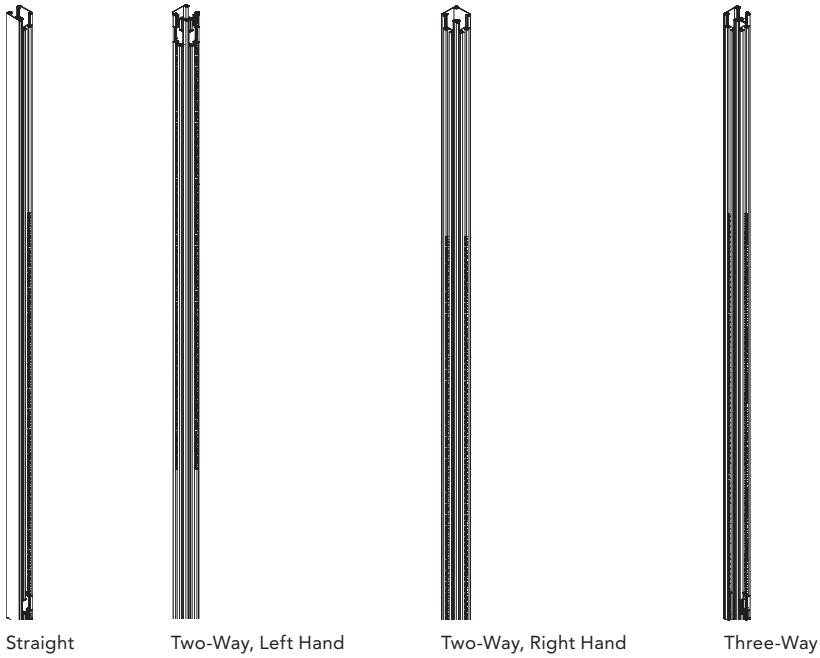
Note: Electrical Ported Frames for Integrated Glass models all route conduit down.



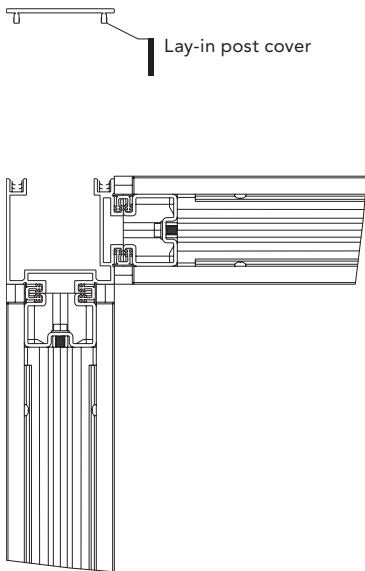
SEISMIC ZONES  
CEILING CONNECTION & FREESTANDING  
PANEL LEVELING  
FRAMELESS  
FRAMED AND SOLID  
DOORS  
CABANA  
VIZ  
NEW, REVISED, AND DISCONTINUED  
APPENDIX

## Posts with Access Trim:

Beyond posts can be specified with a removable access cover to allow for easy access to data and electrical routing. Straight, two-way, and three-way access trim posts have a removable face to allow for routing of in-feed or data from ceiling. Posts with access trim can be specified with Beyond frameless using adapters to connect to the trim.

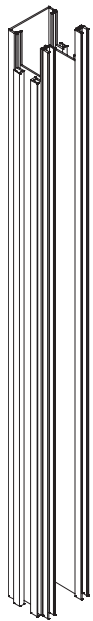


## Example of Removable Access Cover:

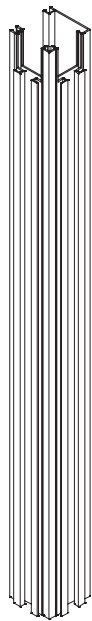


- Post with Access Trim
  - Base and stacking posts have been consolidated into single model.
    - Use “stacking” post for nominal heights above 120”.
    - “Base” post height to match nominal height of base panel.
    - “Stacking” post height to match nominal height of stacking panel.
  - Height
    - Nominal height in 1/4” increments.
    - Panels: from 18” to 120” (previously down to 86”).
    - Stacking panels: 9.5” minimum and for stacking panels with integrated mounting rail, minimum height is 10.5”.

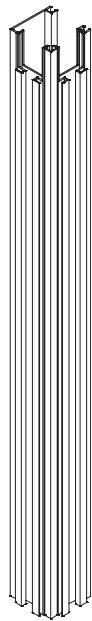
## Stacking Posts with Access Trim:



Straight



Two-Way,  
Right Hand

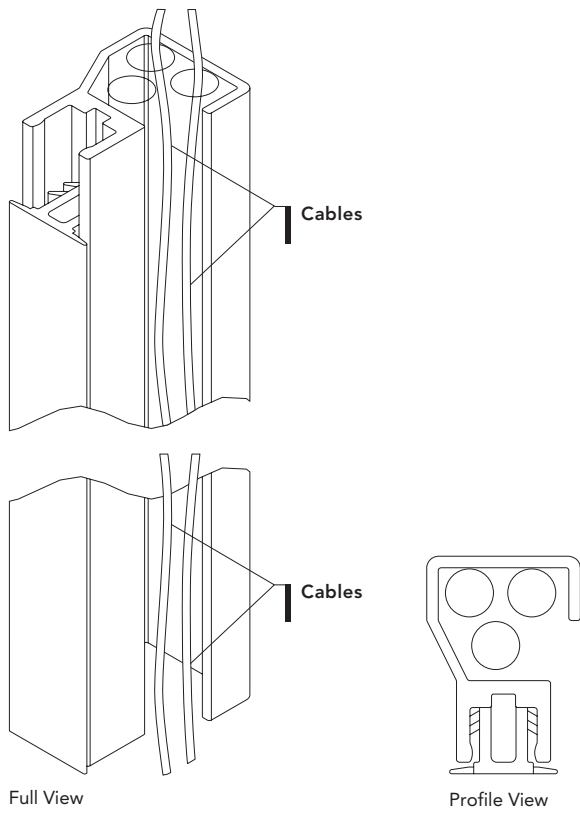


Two-Way,  
Left Hand



Three-Way

## Wire Managers



- Wire managers are 78" in length and can be field-cut to the size needed to manage cabling.
- Cables are fed into the reveal on the side and can manage up to QTY (3) ¼" diameter cables.
- Can be used with both framed glass and solid wall.
- Wire managers are press-fit into a zipper reveal.
  - Requires "with reveal" option for solid walls.

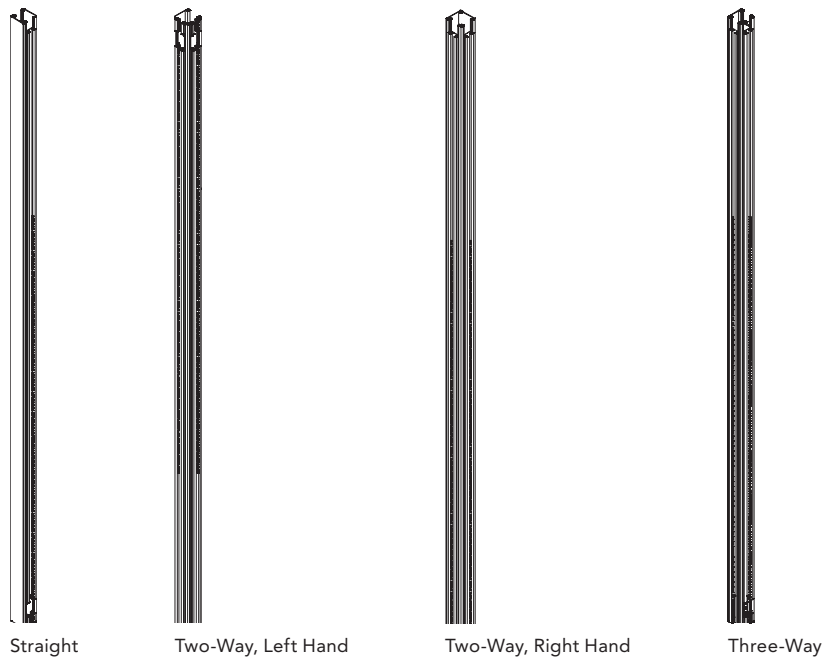
Base Model	Description	Specification
BY-APOST	Post with Access Trim	BY-APOST

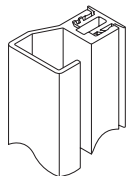
Configuration ID	Specification Description
Product	Beyond
Product Type	Solid or Framed Solid or Framed Stacking
Dimension	18"-120" In 1/4" Increments Stacking Panels: 9.5" minimum
Trim Type	Post Access
Trim Use	Straight Two Way Three Way
Trim Style	Will populate If Two Way post selected Left Hand Right Hand If Stride Connection is selected For a straight or three way post: Stride For a two way post: Stride LH Stride RH
Finish Color	Painted or Anodized Finishes

Option	Specification Description	Specification
Paint Color Selection	3-digit painted or anodized finish	See <a href="#">Beyond Frame Finishes</a>

Specification Example: BY-APOST.####.P8X



Straight      Two-Way, Left Hand      Two-Way, Right Hand      Three-Way



Wire Manager

Base Model	Description	Specification
BY-FSWMANAGER	Wire Manager	BY-FSWMANAGER

Specification Example: BY-FSWMANAGER

SEISMIC ZONES  
 CEILING CONNECTION & FREESTANDING  
 PANEL LEVELING  
 FRAMELESS  
 FRAMED AND SOLID  
 DOORS  
 CABANA  
 VIZ  
 NEW, REVISED, AND DISCONTINUED  
 APPENDIX

## TV Mounting Guidelines for Solid Walls

There are multiple ways to mount a TV on Beyond solid wall product, including:

- Flush Mount
- Bracket Mount
- Variable Height TV Mounting Plate for use with bracket mount or flush mount brackets
- Integrated Mounting Rail Mount

See the following pages for details. Solid walls need to be ordered with electrical porting capability per the TV mount style to provide power access for the TV. Brackets are available for order. Other componentry must be submitted to Allsteel as an engineered-to-order (ETO) option.

Hard surface tiles are required where the TV is mounted. If segmenting the panel to limit the hard surface area to just behind the TV, it is critical to have the full dimensional details of the TV and the mount. These details will provide the needed information to ensure segment changes are hidden behind the TV and do not interfere with the internal structure of the panel.

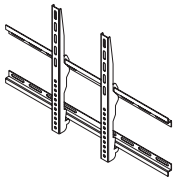
Several of the TV mounting solutions utilize the TV mounting bracket (model BY-FGTVBRACKET, previously BYTVB) to provide the interface between the wall and the TV. Details are shown in each subsequent section.

The TV mounting bracket supports the following:

- 32"-70" flat panel displays up to 165 pounds
- 10 to 0 degree tilt
- VESA® mounting hole patterns
  - 200 x 200 mm
  - 300 x 300 mm
  - 400 x 200 mm
  - 400 x 400 mm
  - 600 x 400 mm

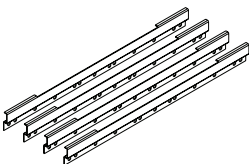
## TV Integration

### Model BY-FGTVBRACKET:

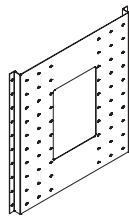


TV-Mount Bracket

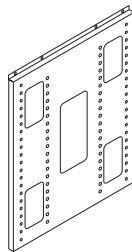
### Model BY-TVBRACKET:



Flush-Mounted Bracket



Variable-Height Mounting Bracket



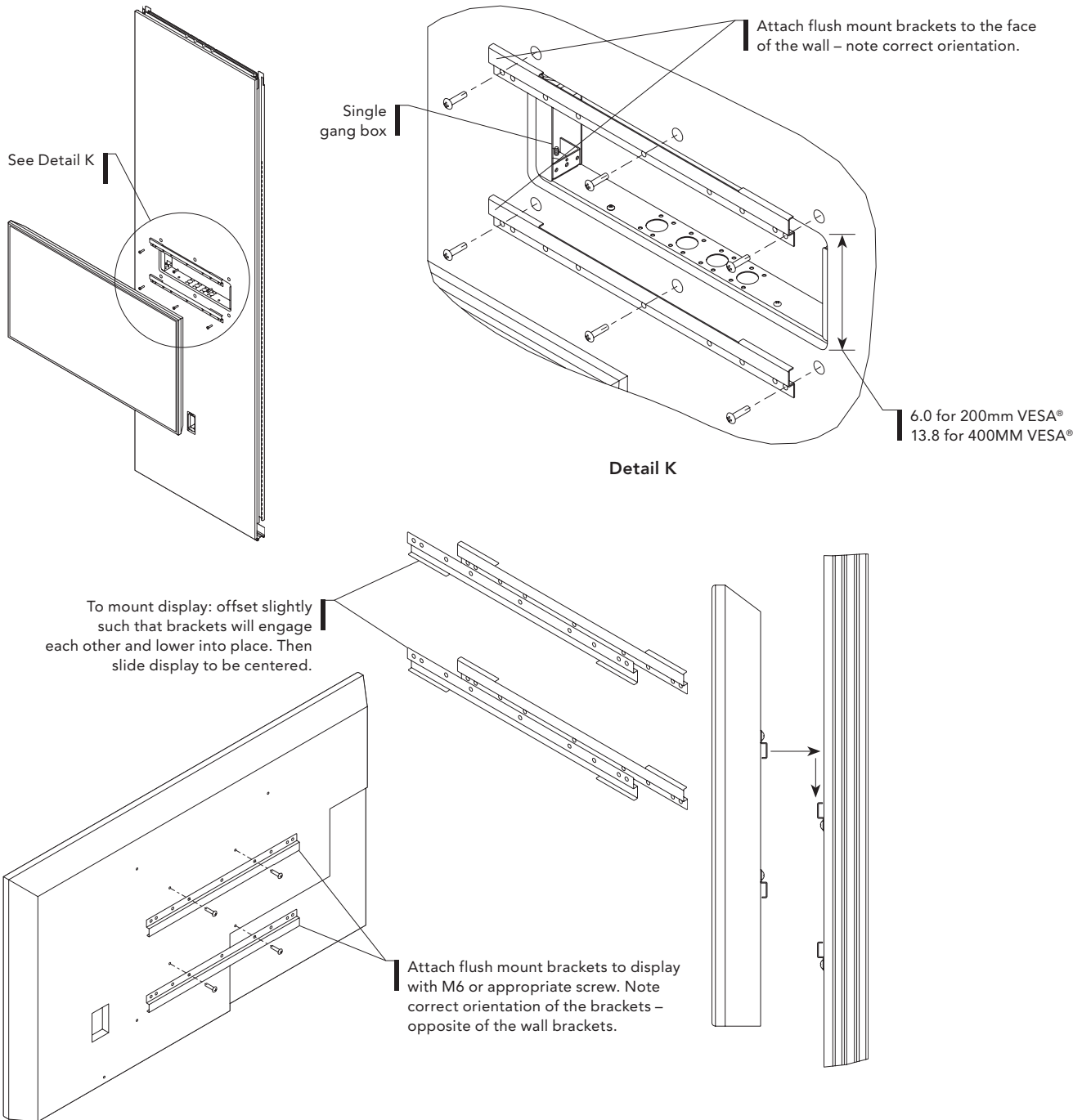
Integrated Mounting Rail Mounting Plate

## Solid Wall Flush Mount TV Mounting

Flush mount TV mounting attaches the TV as close as possible to the solid wall so that the only dimension extending from the wall is the thickness of the TV and the minimal bracket thickness. This style of TV mount requires the brand and model number prior to order. Mounting patterns on the back of TVs are in different locations depending upon the brand. Once the pattern location and desired height of the TV is determined, the solid wall will be designed to the specifications. A single junction box is mounted inside the wall cavity to provide a power chase to the TV. Conduit from the junction box is ½" trade size flex conduit. Wiring to be performed by a licensed electrician.

The following information is required as part of the engineered-to-order (ETO) panel request:

- Make and model of TV
- Mounting height to the vertical centerline of the TV AFF
- Mounting centerline location horizontally (location for centered, offset, spanning, etc.)
- Required electrical, cabling, and data needs, including conduit routing direction



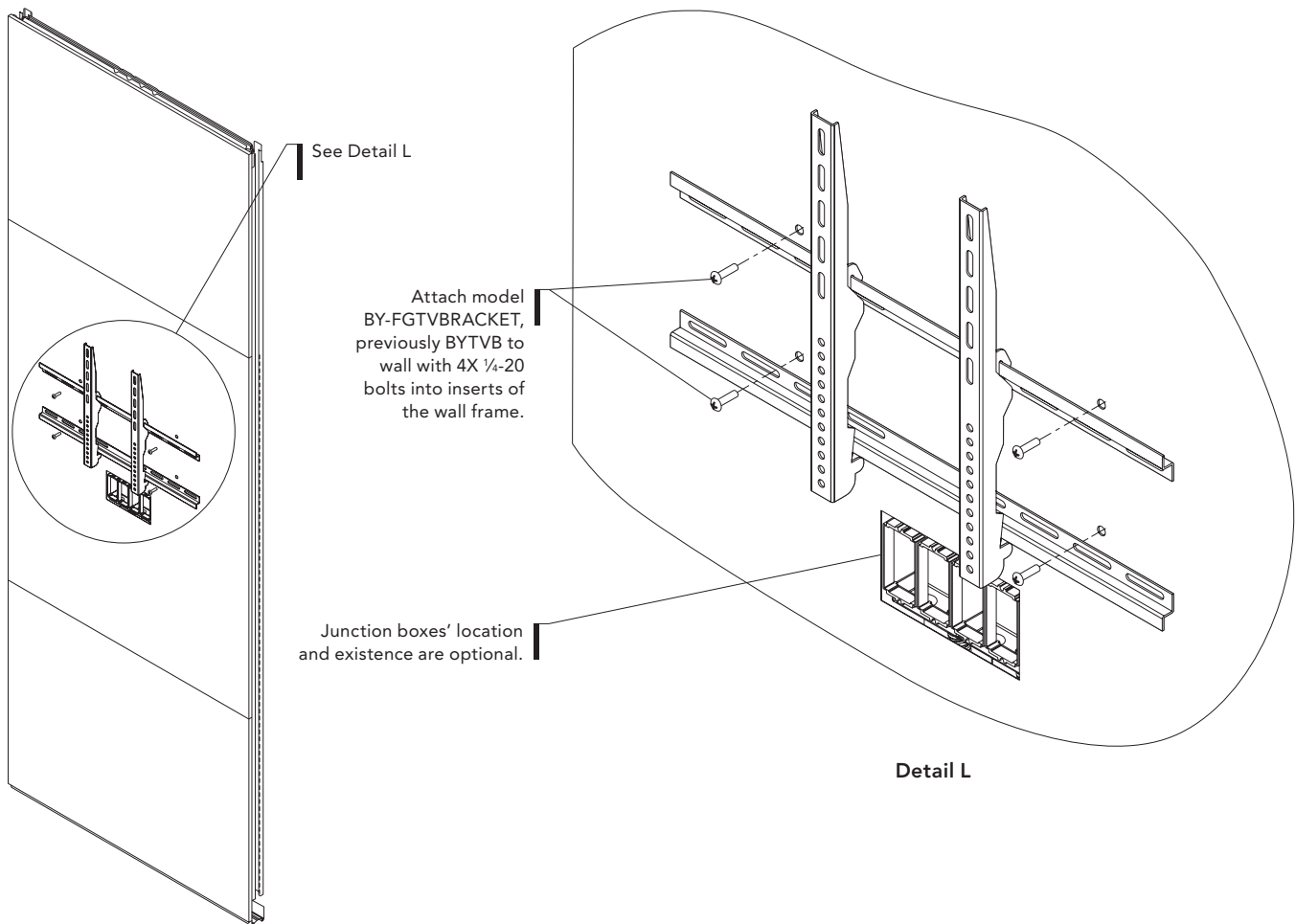
SEISMIC ZONES  
CEILING CONNECTION & FREESTANDING  
PANEL LEVELING  
FRAMELESS  
FRAMED AND SOLID  
DOORS  
CABANA  
VIZ  
NEW, REVISED, AND DISCONTINUED  
APPENDIX

## Solid Wall Bracket Mount TV Mounting

Bracket mount TV mounting attaches the TV to the solid wall utilizing a bracket to interface between the two. Mounting patterns on the back of TVs are in different locations depending upon the brand. Once the pattern location and desired height of the TV is determined, the solid wall will be designed to the specifications. The junction box size and location can be customized and will provide a power chase to the TV. Conduit from the junction box is ½" trade size flex conduit. Wiring to be performed by a licensed electrician.

The following information is required as part of the engineered-to-order (ETO) panel request:

- Make and model of TV
- Brand and detailed information of TV mount if not using the standard model
- Mounting height to the vertical centerline of the TV AFF
- Mounting centerline location horizontally (location for centered, offset, spanning, etc.)
- Required electrical, cabling, and data needs, including conduit routing direction
- The bracket itself is a standard component.
- An engineered-to-order (ETO) hard surface tile is required with coordinating ports for j-box(es).



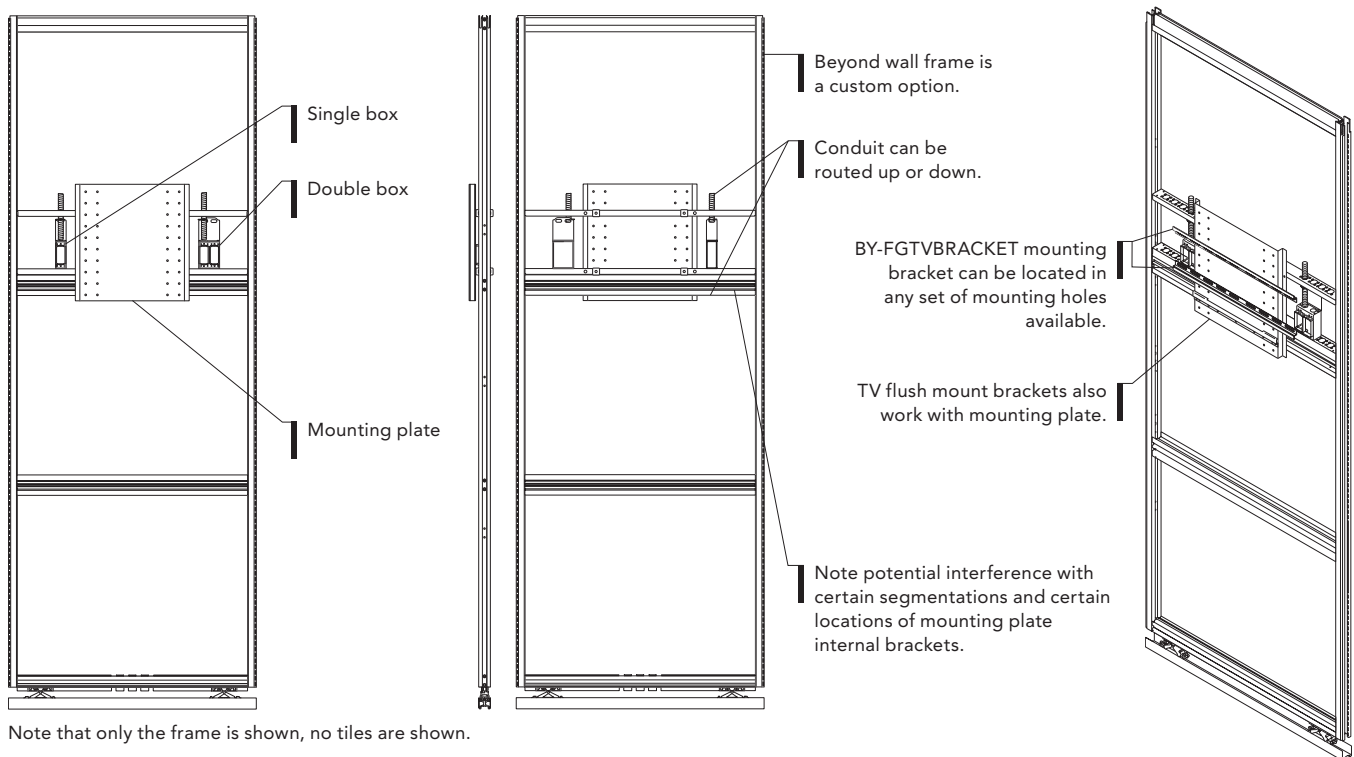


## Solid Wall TV Mount with Variable Height TV Mounting Plate

The variable height TV mount provides the most flexibility when mounting TVs and is recommended when the brand and model of the TV have not yet been selected. The mounting plate is to be located at the approximate centerline of the TV. The mounting plate has a set of holes on the 16" horizontal centerline to match the stud centerline used on most TV mounts. The holes are spaced 50mm or approximately 2" apart vertically to allow movement of the TV mount up and down. This hole pattern allows the attachment of the flush mount bracket or the TV mounting bracket. These brackets then create the interface from the TV to the mounting plate.

The following information is required as part of the engineered-to-order (ETO) panel request:

- Mounting height to the vertical centerline of the TV AFF
- Mounting centerline location horizontally (location for centered, offset, spanning, etc.)
- Required electrical, cabling, and data needs, including conduit routing direction
- A standard model BY-FGTVBRACKET, previously BYTVB, mounting bracket or flush mount bracket is required in addition to the custom panel.
- An engineered-to-order (ETO) hard surface tile is required with coordinating ports for j-box(es) and holes for the mounting plate.

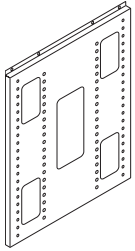


Note that only the frame is shown, no tiles are shown.

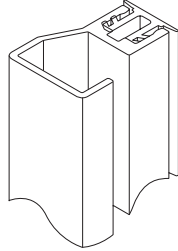
## Solid Wall Integrated Mounting Rail TV Mount

The integrated mounting rail TV mount utilizes the integrated mounting rail clerestory to support the TV. The TV mounting plate ties into the integrated mounting rail of the clerestory and allows the TV to be moved from side to side as desired. A TV bracket (model BY-FGTVBRACKET) is then used to provide the interface between the mounting plate and the TV. It is recommended to utilize the "with reveal" option along with the wire manager (model BFSWMB) to provide cable management down to the standard receptacle locations in the panel. Optional posts are available to route power up to the TV height location. The plate provides cutouts for access. Engineered-to-order (ETO) electrical locations may also be requested.

Electrical, cabling, and data needs are required.

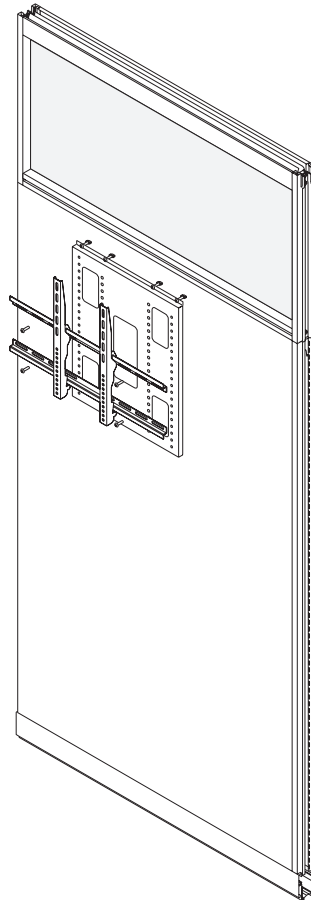
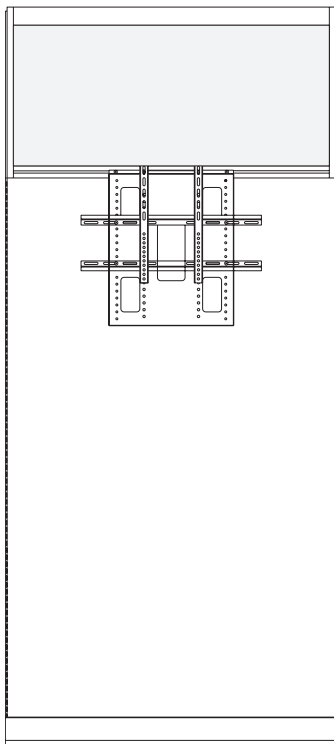


Integrated Mounting Rail TV Mounting Plate



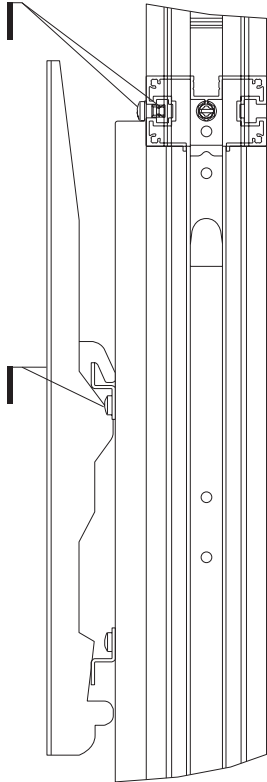
Wire Manager

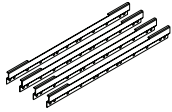
See page [250](#) for specification data



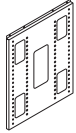
Attach sheet metal mounting plate with M6 bolt and z-nut.

Attach mounting bracket with hardware from BY-FGTVBRACKET model.

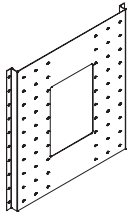




Flush Mount Bracket



Integrated Mounting Rail Bracket



Variable Height Mounting Bracket

Base Model	Description	Specification
BY-TVBRACKET	TV Mounting Bracket	BY-TVBRACKET

Option	Specification Description	Specification
Mounting Type	Integrated Mounting Rail	IRMB
	Flush	FMB
	Variable Height	VHMB
Paint Color Selection	3-digit painted finish	See <a href="#">Beyond Frame Finishes</a>

*Specification Example:* BY-TVBRACKET.IRMB.P8X

**Note:** Specify Anodized Silver - PR0 to coordinate with Clear, Anodized frame

## Installation Kits

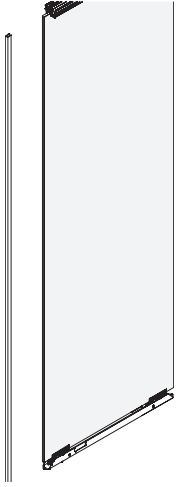
- Installation kits should be specified on all Beyond projects.
  - Specify QTY (1) Beyond Installation Kit (BY-KIT) for every 150 linear feet.
  - Each kit includes additional parts and hardware useful for installation of many different applications. Examples of items included are:
    - VHB tape for use with frameless glass vertical fillers
    - Straight splice kits for ceiling channel
    - Door guides for sliding or swing doors
    - Various pieces of hardware such as washers, flat heads, bushings, etc.
    - White sponge to clean fabric tiles
- A Hard Surface Installation Kit (BY-HSKIT) should be specified (in addition to the Beyond Installation Kit) when installing on top of noncarpet flooring like wood, tile, or laminate.
  - Specify QTY (1) kit for every 50 linear feet.
  - Each kit includes a 50 foot roll of gasket tape used under the floor channel when installing.

## Touch Up Paint

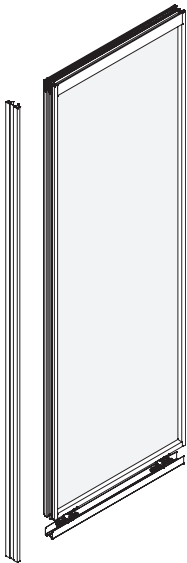
- Touch up paint should be specified with every painted project.
- Touch up paint can be ordered in a bottle with a brush or as a spray.

When facing obstructions in the field, a window sill u-channel can be ordered for Beyond frameless panels to accommodate the obstruction. For solid panels, a field-cuttable solid tile can be ordered.

- BY-FGSILLTRIM - Frameless Window Sill U-Channel



- BY-FSSILLTRIM - Solid Window Sill U-Channel



Base Model	Description	Specification
BY-KIT	Installation Kit	BY-KIT

*Specification Example: BY-KIT*

Base Model	Description	Specification
BY-HSKIT	Hard Surface Installation Kit	BY-HSKIT

*Specification Example: BY-HSKIT*

Base Model	Description	Specification
BY-VHB	VHB Tape, 70' Roll	BY-VHB

*Specification Example: BY-VHB*

Base Model	Description	Specification
APTK	Touch Up Paint Brush Qty 1	APTK

Option	Specification Description	Specification
Paint Color Selection	3-digit painted finish	See <a href="#">Beyond Frame Finishes</a>

*Specification Example: APTK.P8X*

Base Model	Description	Specification
ARSLCC	Spray Paint	ARSLCC

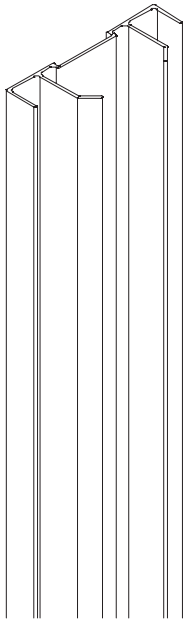
Option	Specification Description	Specification
Paint Color Selection	3-digit painted finish	See <a href="#">Beyond Frame Finishes</a>

*Specification Example: ARSLCC.P8X*

Base Model	Description	Specification
BY-FGSILLTRIM	Frameless Window Sill U-Channel	BY-FGSILLTRIM
Configuration ID	Specification Description	
Product	Beyond	
Product Type	Frameless Anodized Frameless Painted	
Dimension	120"	
Trim Type	Window Sill	
Trim Use	Frameless	
Finish Color	Painted or Anodized Finishes	
Option	Specification Description	Specification
Paint Color Selection	3-digit painted or anodized finish	See <a href="#">Beyond Frame Finishes</a>

*Specification Example: BY-FGSILLTRIM.####.P8X*

Frameless U Channel



U Channel

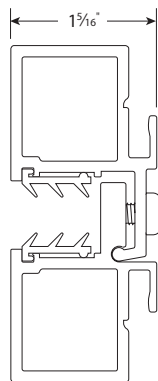
Base Model	Description	Specification
BY-FSSILLTRIM	Solid Window Sill U-Channel	BY-FSSILLTRIM
Configuration ID	Specification Description	
Product	Beyond	
Product Type	Solid or Framed	
Dimension	120"	
Trim Type	Window Sill	
Trim Use	Frameless	
Finish Color	Painted or Anodized Finishes	
Option	Specification Description	Specification
Paint Color Selection	3-digit painted or anodized finish	See <a href="#">Beyond Frame Finishes</a>

*Specification Example: BY-FSSILLTRIM.####.P8X*

## General Information

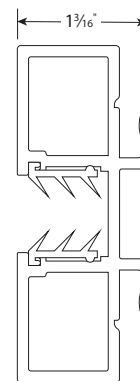
- Door components are ordered separately.
- Beyond doors are universal and work with Beyond frameless glass, framed glass, and solid panels.
- Doors have a maximum height of 120" and a minimum height of 86". The only exclusions are the 48"W module aluminum framed doors which have a maximum height of 108¾" and the single 7'H sliding door with transom which is at a fixed height of 7'H.
  - Heights are available in ¼" increments.
- Door module width varies by door type.
- Utilize an adjacent door wall channel when connecting a door directly to drywall.
- When connecting a door frame to frameless glass, a frameless glass adapter must be used. The adapters add ½" planning dimension per adapter.

## Planning Dimensions



Swing Door Frame-to-Frameless Adapter

Swing Door Frame-to-Frameless Adapter



Sliding Door Frame-to-Frameless Adapter

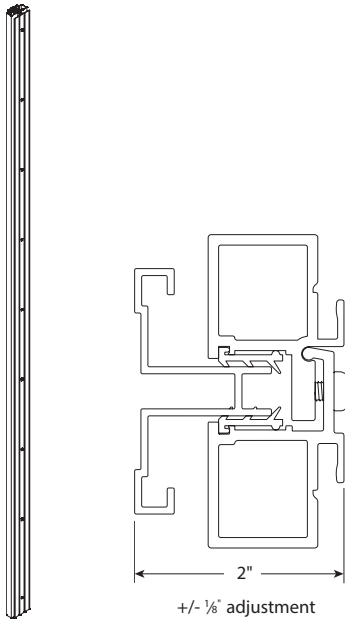
Sliding Door Frame-to-Frameless Adapter

- Doors specified at nominal height have a ½" planned clearance between the bottom of the door and the floor.
  - Door clearances should be confirmed on the job site with field measures for both the open and closed positions of sliding and swing doors.
- Doors can be specified as frameless glass, aluminum framed glass, or solid (veneer, laminate or painted wood).
  - Frameless glass doors are available in tempered clear and tempered low-iron.
  - Aluminum framed doors require specification of glass thickness, and glass type.
    - Specify ¼" or ⅜" glass.
    - Specify glass type - see Beyond Glass Information on page 8 for details.
  - Solid doors can be specified as veneer, laminate or painted wood.
    - [See the Materials and Finishes section for finish selection details.](#)
- Door frames are available in anodized aluminum or painted aluminum. [See the Materials and Finishes section](#) for finish selection details.



Wall Channel Adjacent Door

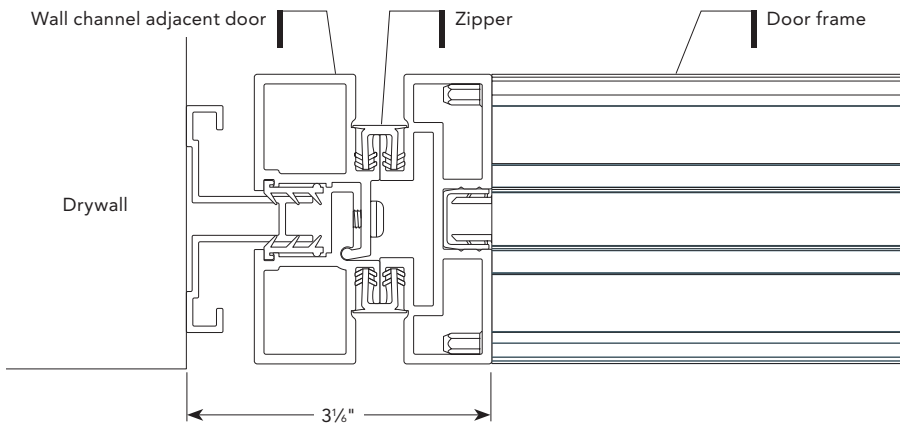
Planning Dimensions:



- Actual dimension of a wall channel is 2" W.
- Planning dimension is 2" W.
- Wall channels offer +/- 1/8" of adjustment.
- Specify at the same height as the adjacent door frame.
- Two zippers are used to connect the wall channel to the door frame.

Sliding Door Frame-to-Frameless Adapter

- Wall channels for adjacent door applications consist of two components to connect the door frame to the wall. The first vertical extrusion is fastened to the wall using the appropriate fasteners. The second vertical extrusion clamps onto the first at the hard wall side. The opposite side is connected to the door frame using zippers. The two components fit together and allow adjustment for off plumb walls.



SEISMIC ZONES  
 CEILING CONNECTION & FREESTANDING  
 PANEL LEVELING  
 FRAMELESS  
 FRAMED AND SOLID  
 DOORS  
 CABANA  
 VIZ  
 NEW, REVISED, AND DISCONTINUED  
 APPENDIX



Base Model	Description	Specification
BY-DWCHANNEL	Wall Channel, Door Adjacent	BY-DWCHANNEL

Configuration ID	Specification Description
Product	Beyond
Product Type	Solid or Framed Solid or Framed Stacking
Dimension	18" - 120" In ¼" Increments
Trim Type	Wall Channel
Trim Use	Adjacent Door
Finish Color	Painted or Anodized Finishes

Option	Specification Description	Specification
Paint Color Selection	3-digit painted or anodized finish	See <a href="#">Beyond Frame Finishes</a>

Specification Example: BY-DWCHANNEL.#####.P8X

## Sliding Doors

### General Information

- Sliding doors can be mounted on the interior or exterior of the room.
- Adjacent panels of the following dimensions are required next to sliding doors to support the door track and to eliminate interference with another panel or door:
  - 42" door module requires a 36"W minimum adjacent panel.
    - Clearance is 33¾" on standard and 33¾" on full strike doors.
  - 48" door module requires a 42"W minimum adjacent panel.
    - Clearance is 39¾".
  - 78" door module requires a 33½"W minimum adjacent panel on both sides of the door.
    - Clearance is 63½".
- Sliding door tracks are available in two options.
  - Standard
  - Slow Close/Slow Open
    - Incorporates a motion-dampening mechanism to support soft closures and openings for sliding doors.
- Sliding doors utilize door pulls. [See the Door Hardware pages of the Doors section](#) for available options.
- Optional frameless glass sliding door trailing edge seals are available for improved acoustical performance.
  - Trailing edge seal is field-applied to the trailing edge of the frameless glass door with pre-applied adhesive tape.

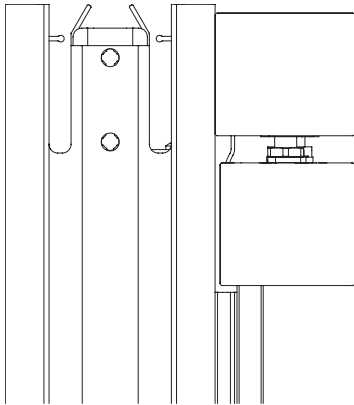


Trailing Edge Seal

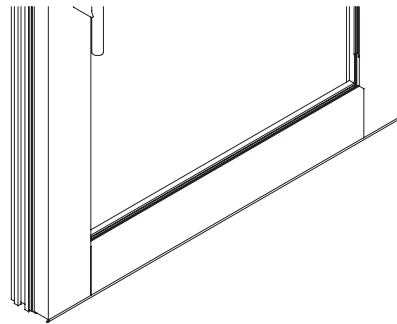
### Single Sliding Doors

- Doors and door frames are non-handed.
- Available in two door module sizes.
  - 42" door module is available with all door types.
  - 48" door module is only available on aluminum framed and solid doors.
    - Maximum specified height of 108¾"
    - Single 7'H doors with transom can be utilized for heights above 108¾".
      - ¾" glass thickness only available when specified at 7'H with transom. All other heights are available only with ¼" thick glass.
- Sliding doors can be locked by specifying the locking ladder pull options or specifying a full strike frame with locking into the frame.

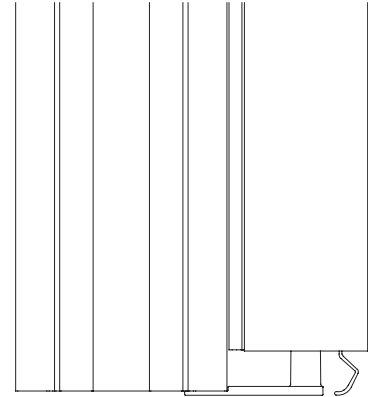
- Enhanced Acoustics
  - All sliding doors can be specified with enhanced acoustics.
  - The enhanced acoustical option includes a seal inside the sliding door track and a bottom seal to reduce sound transmission.
  - All doors specified after the launch of the acoustical enhancements can be retrofitted with bottom seals and track seals with a retrofit kit.
  - If enhanced acoustics are specified, this option will appear on the door frame and track bill of materials. It will appear on the aluminum framed door bill of materials. It will NOT appear on the frameless glass or solid door model bill of materials due to the acoustical enhancement components being included in the other models.



Sliding Door Track with Enhanced Acoustics



Aluminum Framed Door with Enhanced Acoustics

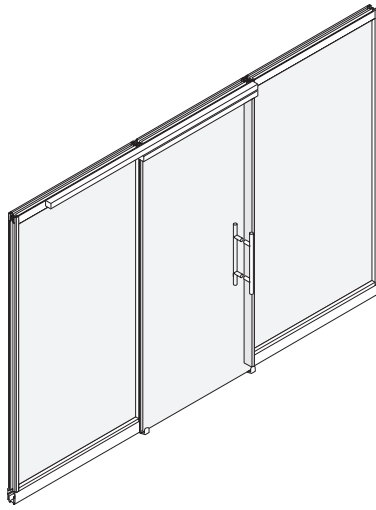


Solid Door with Enhanced Acoustics

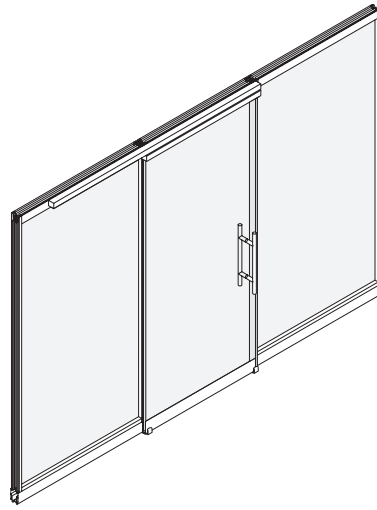
# Sliding Doors

Working with Beyond®

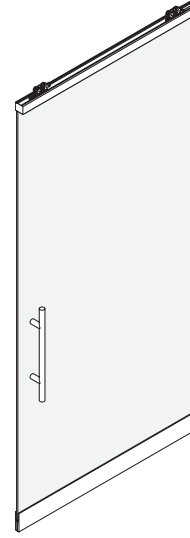
- Frameless glass standard sliding doors are also available with adjustable footers.
  - Adjustable footers attach to the bottom of the frameless glass doors and allow for  $\pm 1/2$ " adjustment. Footers can be adjusted down to minimize the space between the bottom of the door and the floor. Doors with footers specified at nominal height have a  $1/4$ " planned clearance between the bottom of the door and the floor.
    - Adjustment can occur after the door is hung in place for ease of installation.
    - Footer models are non-handed.
    - Specify the door model for adjustable footers and the footer model separately.
    - Footers work with full strike option on single sliding doors.



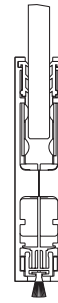
Sliding Frameless Glass



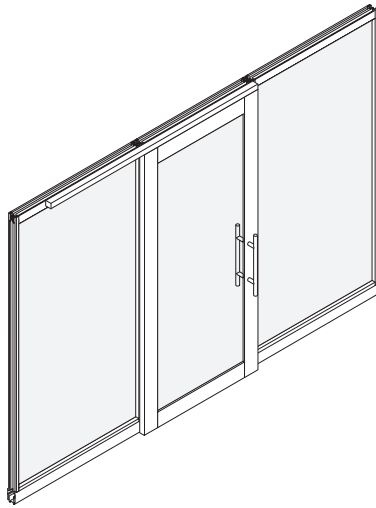
Sliding Frameless Glass with Adjustable Footer



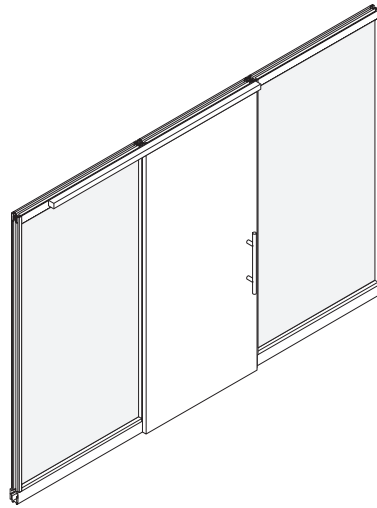
Frameless Glass Door with Adjustable Footer



Profile View of Adjustable Footer



Sliding Aluminum Framed Glass

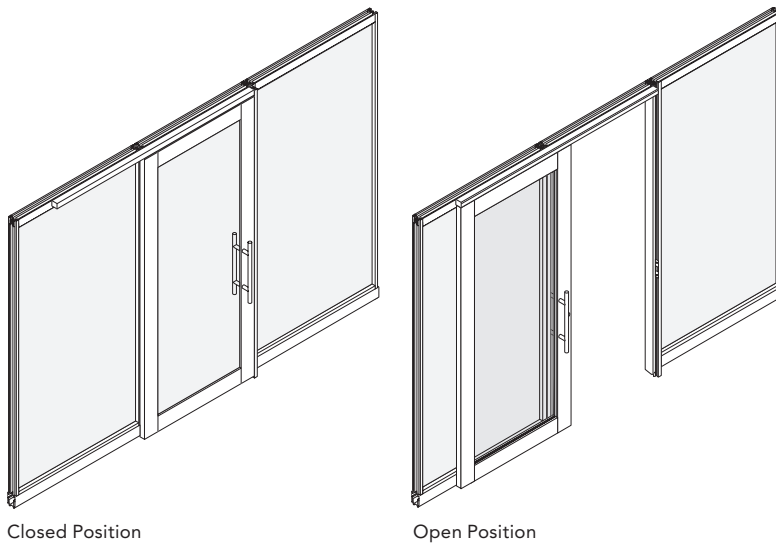


Sliding Solid

SEISMIC ZONES  
CEILING CONNECTION & FREESTANDING  
PANEL LEVELING  
FRAMELESS  
FRAMED AND SOLID  
DOORS  
CABANA  
VIZ  
NEW, REVISED, AND DISCONTINUED  
APPENDIX

## Single Sliding Doors - Full Strike Option

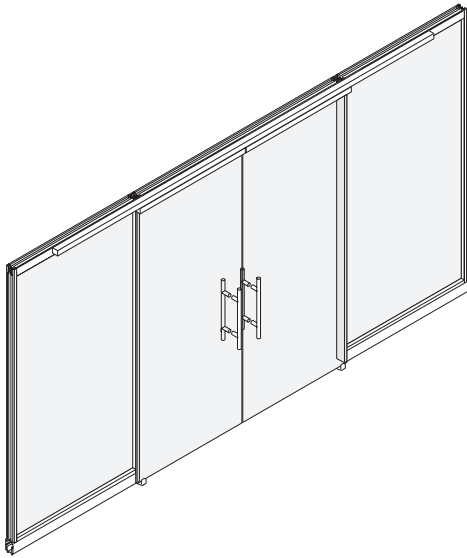
- A full strike frame can be used with sliding doors for locking purposes and/or to enhance acoustics.
- Doors are non-handed. Door frames are handed.
- Door frame models are dependent upon door type.
  - Frameless glass door frames
  - Aluminum framed glass or solid door frames
- Available in two door module sizes.
  - 42" door module is available with all door types.
  - 48" door module is only available in aluminum framed glass doors.
    - Maximum specified height of 108¾"
- Frameless glass full strike sliding doors are also available with adjustable footers.
- Full strike doors can be locked utilizing one of the following options:
  - Locking ladder pull
  - Door lock that locks into full strike frame. [See Door Hardware on page 264 for details.](#)



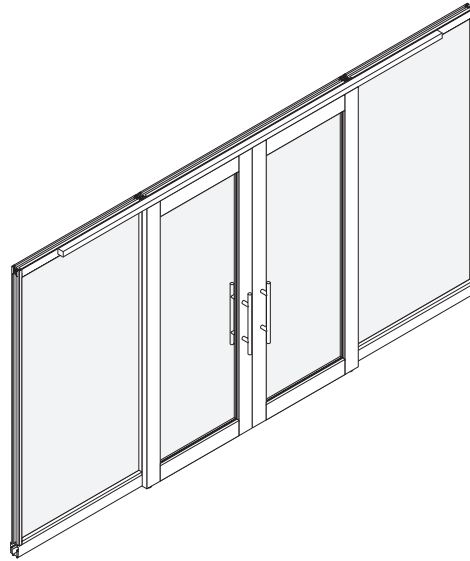
Full Strike Sliding Aluminum Framed Door with Lock

## Double Sliding Doors

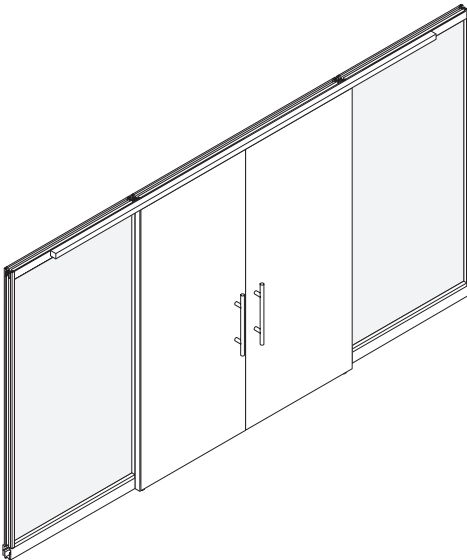
- 78" door module is available with all sliding door materials (frameless, aluminum framed glass, solid).
- Specify double door models for doors, door frames, sliding door track, and mounting hardware.
- Order QTY (2) doors for double sliding door application.
- Frameless glass double doors incorporate a field-installed clear polymer edge to protect glass edges when the doors are closed.
- Double sliding doors can be locked by specifying two of the locking ladder pull options.
- Double sliding doors come with slow close/slow open door tracks.
- Blocking may be required above a double sliding door due to the weight of the door at the center of the header.



Sliding Frameless Glass, Double



Sliding Aluminum Framed, Double

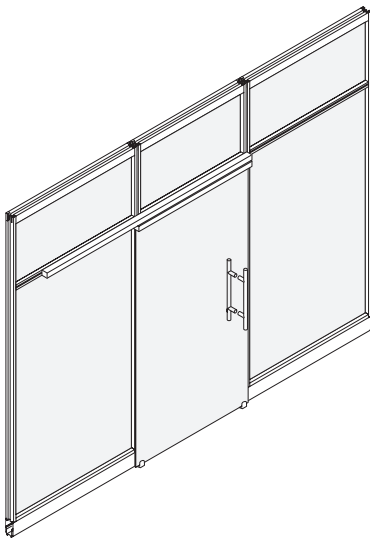


Sliding Solid, Double

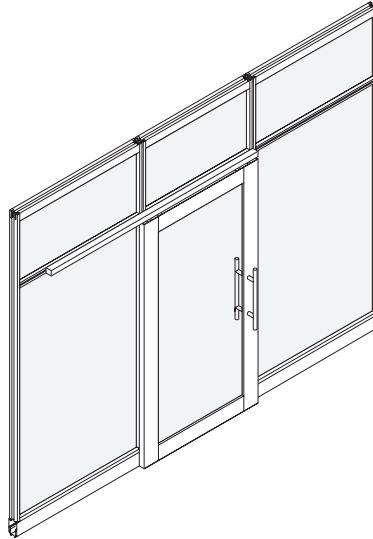
SEISMIC ZONES  
CEILING CONNECTION & FREESTANDING  
PANEL LEVELING  
FRAMELESS  
FRAMED AND SOLID  
DOORS  
CABANA  
VIZ  
NEW, REVISED, AND DISCONTINUED  
APPENDIX

## Single Sliding Doors under Transom

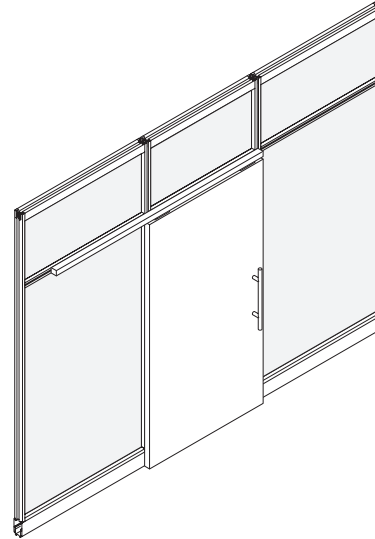
- Door is specified as a single 7'H door with transom. The door is a fixed height. Note that the door leaf is 85" and the frame is 84". The height of the frame model is from the top of the transom to the finished floor.
- Glass transom above door is available from 10<sup>3</sup>/<sub>4</sub>" to 37<sup>7</sup>/<sub>8</sub>" in 1/4" increments and in widths of 42" and 48".
- Doors and door frames are non-handed.
- Can only be used with framed glass and solid walls.
  - Must use integrated mounting rail when used with framed and solid walls.
- Door frames incorporate a glass transom or clerestory.
  - Specify 1/4" or 3/8" glass for the transom/clerestory section.
  - Specify glass color. [See Glass Types section for details.](#)
- Available in two door module sizes.
  - Both 42" and 48" module doors are available with all sliding door types.
- Not available in full strike.
- 7'H sliding doors with transom can be locked by specifying a locking ladder pull.
- Can be specified with enhanced acoustics.



Sliding Frameless Glass with Transom



Sliding Aluminum Framed with Transom



Sliding Solid with Transom



## Door Hardware

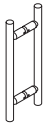
All exposed door hardware is available in silver or black. See [Materials and Finishes section](#) for more information.

### Ladder Pulls

- Use with all sliding doors.

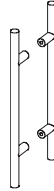
#### 12"H Ladder Pull

- 3/4" diameter pull
- Brushed stainless finish
- Passage only



#### 20"H Ladder Pull

- 1" diameter pull
- Anodized finish
- Passage only

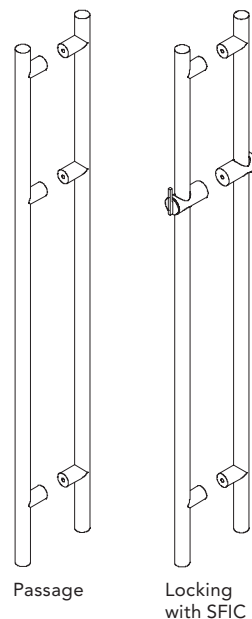
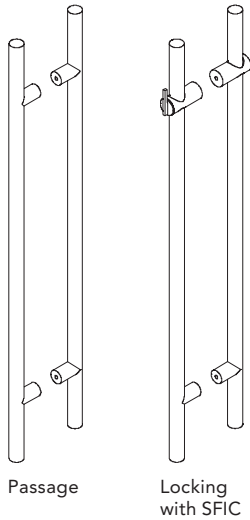


#### 49"H Ladder Pull

- 1 1/8" diameter pull
- Anodized finish
- Passage option
- Locking option
  - Thumb-turn deadbolt lock is received into a floor socket.
  - Rim cylinder with SFIC format
  - SFIC core for field-keying to building requirements
  - Best E keyway
  - Random keying
  - Use SFIC for any custom keying requirements.
  - LFIC and other RIM cylinders are available as a custom option.
  - Master keying is available by others.

#### 60"H Ladder Pull

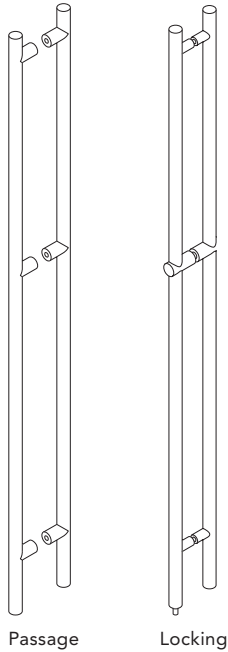
- 1 3/8" diameter pull
- Anodized finish
- Passage option
- Locking option
  - Thumb-turn deadbolt lock is received into a floor socket.
  - Rim cylinder with SFIC format
  - SFIC core for field-keying to building requirements
  - Best E keyway
  - Random keying
  - Use SFIC for any custom keying requirements.
  - LFIC and other RIM cylinders are available as a custom option.
  - Master keying is available by others.



NEW, REVISED, AND DISCONTINUED  
APPENDIX  
VIZ  
CABANA  
DOORS  
FRAMED AND SOLID  
FRAMELESS  
PANEL LEVELING  
CONNECTION & FREESTANDING  
CEILING  
SEISMIC ZONES

## 72"H Ladder Pull **D**

- 1½" diameter pull
- Brushed stainless finish
- Passage option
- Locking option
  - Thumb-turn deadbolt lock is received into a floor socket.
  - Rim cylinder with SFIC format
  - SFIC core for field-keying to building requirements
  - Best E keyway
  - Random keying
  - Use SFIC for any custom keying requirements.
  - LFIC and other RIM cylinders are available as a custom option.
  - Master keying is available by others.



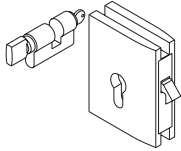
Passage

Locking

## Door Hardware

### Lock for Full Strike Sliding Glass Doors

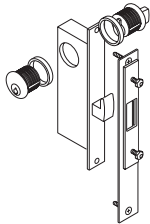
- Specify with ladder pull (12", 20", 49", or 60")
- Europrofile cylinder and thumb-turn lock actuation
- European-standard keyway
- Random keying
- Master keying and key alike are available by others.
- Silver finish available. Black finish available as custom option.



Door Lock for Full Strike Sliding Frameless Glass Doors

### Lock for Full Strike Sliding Aluminum Framed Glass/Solid Doors

- Locks with mortise cylinder and thumb-turn lock actuation
- Schlage® C 5 pin keyway
- Key blank 35-100C or ilco 1145 or SC1
- Random keying
- LFIC and SFIC are available as a custom option.
- Master keying is available as a custom option.
- Silver finish available. Black finish available as custom option.

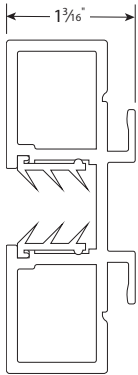


Door Lock for Full Strike Sliding Aluminum Framed Glass/Solid Doors

# Sliding Doors

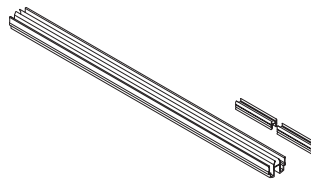
Working with Beyond®

**Step 1** - Is this sliding door connecting to frameless glass panels? You will need frameless glass adapters for each side of the door frame that attaches to frameless glass.



Sliding Door Frame-to-Frameless Adapter

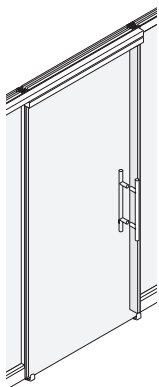
**Step 2** - Frameless glass sliding doors require a mounting kit for each panel adjacent to the opening for the door.



Mounting Kit

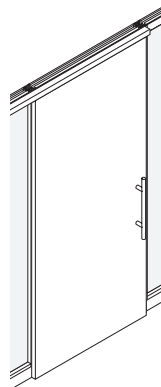
**Step 3** - Choose standard or enhanced acoustics.

**Step 4** - Order single or double doors in glass, aluminum framed glass or solid. Order QTY (2) doors for double sliding door application. Available in 42", 48" & 78" wide modules. Full strike options available. Order proper height.

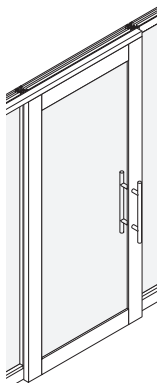


$\frac{3}{8}$ " glass

Sliding Frameless Glass



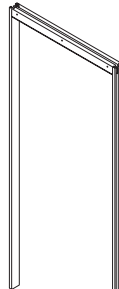
Sliding Solid



$\frac{1}{4}$ " or  $\frac{3}{8}$ " glass

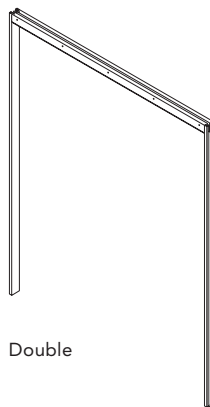
Sliding Aluminum Framed Glass

**Step 5** - Order sliding door frame for single or double door. Full strike options are for single door only and are handed. Available in 42", 48" & 78" wide modules. Order proper height. Four zippers should be specified to attach every door frame. Blocking may be required above a double sliding door due to the weight at the center of the header.



Single

Clear Opening 42"-33 $\frac{3}{4}$ "  
48"-39 $\frac{3}{4}$ "



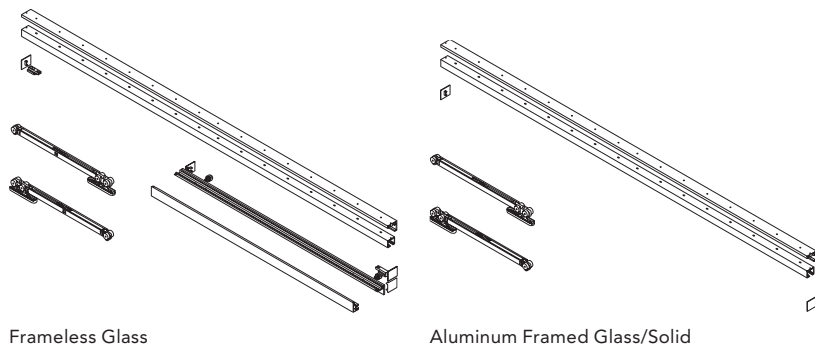
Double

Clear Opening 63 $\frac{1}{2}$ "

# Sliding Doors

Working with Beyond®

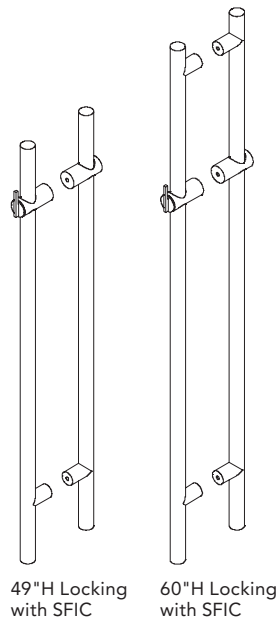
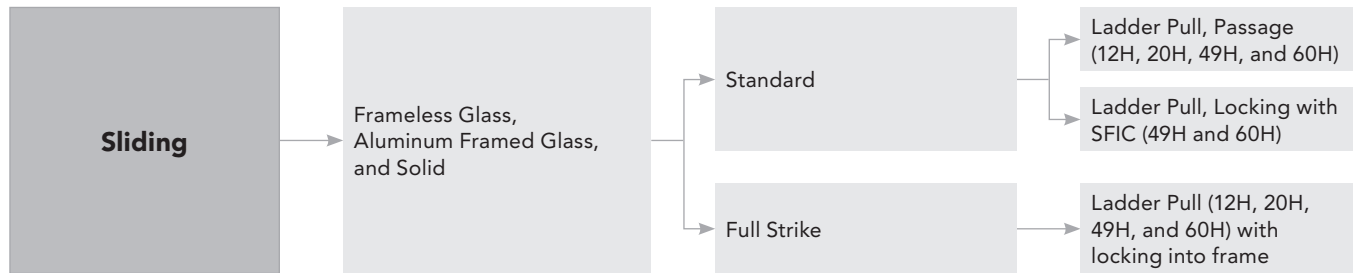
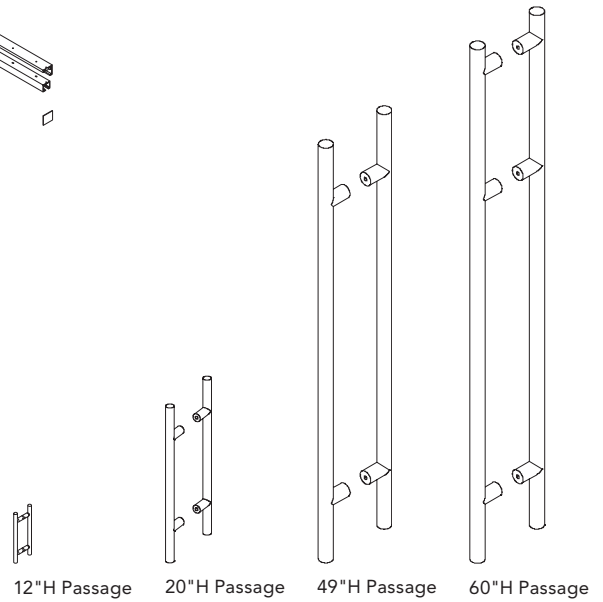
**Step 6** - Order sliding door track and mounting hardware. Order for door size and type with available soft close/open or standard.



Frameless Glass

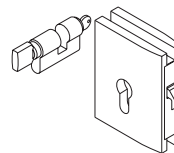
Aluminum Framed Glass/Solid

**Step 7** - Choose sliding door hardware.

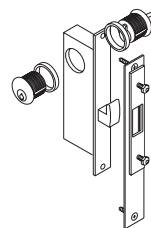


49"H Locking with SFIC

60"H Locking with SFIC



Door Lock for Full Strike Sliding Frameless Glass Doors



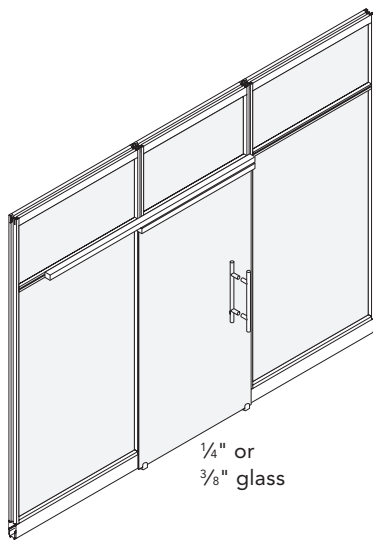
Door Lock for Full Strike Sliding Aluminum Framed Glass and Solid Doors

SEISMIC ZONES  
 CEILING CONNECTION & FREESTANDING  
 PANEL LEVELING  
 FRAMELESS  
 FRAMED AND SOLID  
 DOORS  
 CABANA  
 VIZ  
 NEW, REVISED, AND DISCONTINUED  
 APPENDIX

# Sliding Doors with Transom

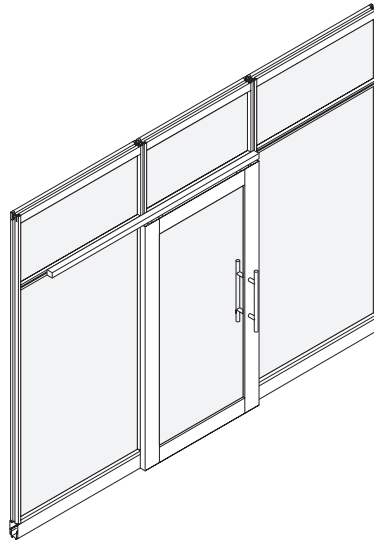
Working with Beyond®

**Step 1** - Order sliding door as 7'H for framed or solid applications. Full strike options not available. Available in 42" & 48" wide modules. Doors are non handed.

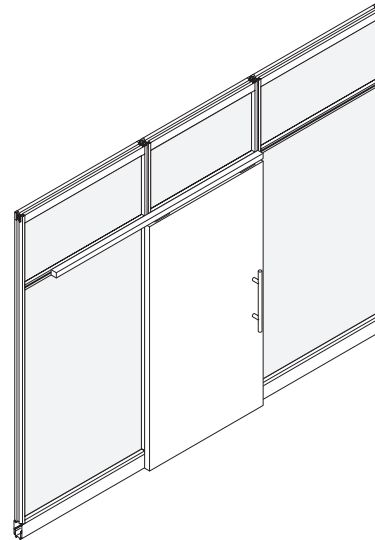


Sliding Frameless Glass with Transom

1/4" or 3/8" glass



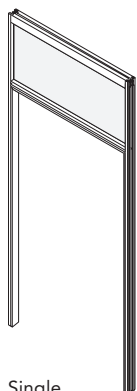
Sliding Aluminum Framed Glass with Transom



Sliding Solid with Transom

**Step 2** - Choose standard or enhanced acoustics.

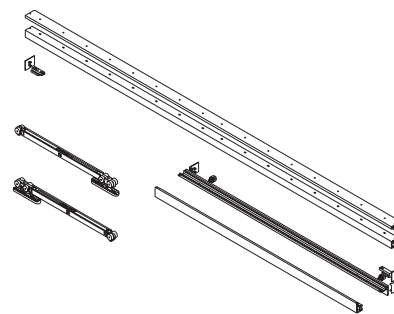
**Step 3** - Order sliding door frame with integrated mounting rail (full strike options not available). Available in 42" and 48" wide modules, non handed. Four zippers should be specified to attach every door frame. Must use integrated rail segmentation pattern for framed glass or solid panels. Ensure integrated rail on panels aligns with height of integrated rail built into door frame.



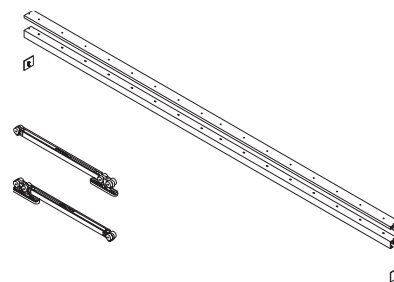
Single

Clear Opening 42" - 33 3/4"  
48" - 39 3/4"

**Step 4** - Order sliding door track and mounting hardware. Order for door size and type with available soft close/open or standard.



Frameless Glass

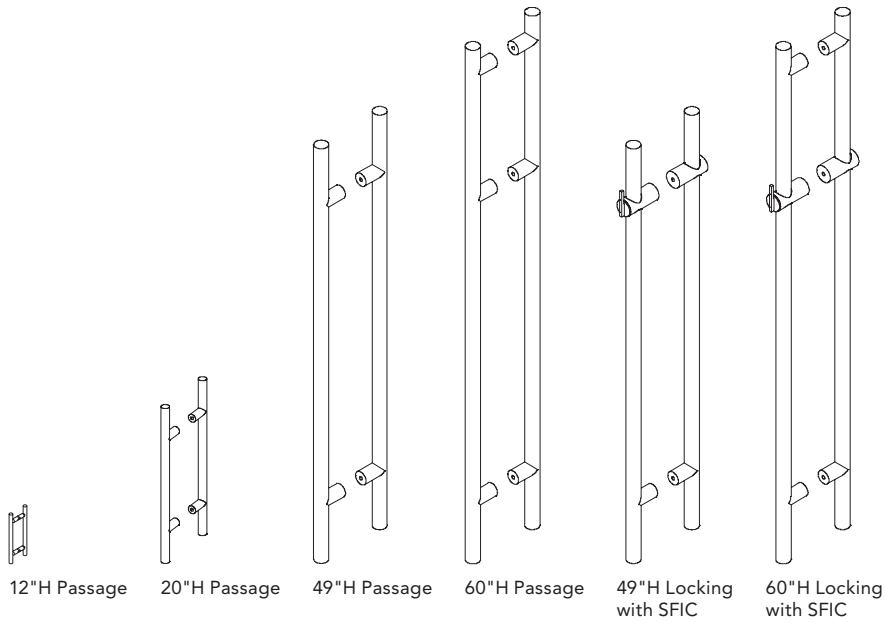
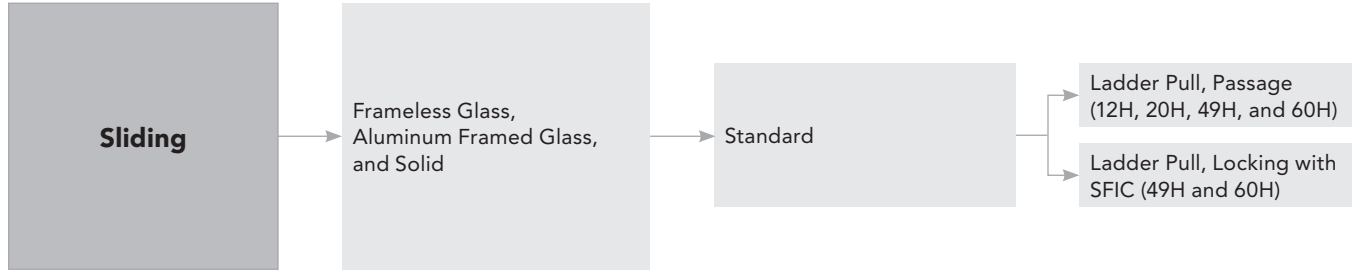


Framed Glass

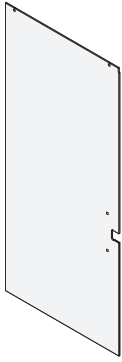
# Sliding Doors with Transom

Working with Beyond®

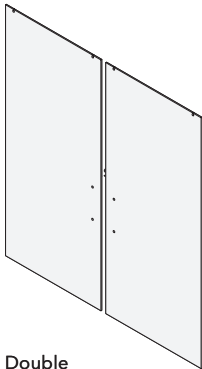
Step 5 - Choose sliding door hardware.



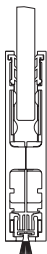
SEISMIC ZONES  
CEILING CONNECTION & FREESTANDING  
PANEL LEVELING  
FRAMELESS  
FRAMED AND SOLID  
DOORS  
CABANA  
VIZ  
NEW, REVISED, AND DISCONTINUED  
APPENDIX



Single, Full Strike Locking



Double



Footer

Base Model	Description	Specification
BY-FGSDLEAF	Frameless Glass Sliding Door Leaf	BY-FGSDLEAF
Configuration ID	Specification Description	
Product	Beyond	
Width	42" - Single Door 78" - Double Door	
Height	86" - 120" in 1/4" increments 85" only - Single 7'H with Transom	
Strike Style	Field will populate if full strike is selected Full Strike Full Strike Locking	
Door Type	Sliding	
Door Style	Frameless Glass	
Door Module	Single Double ( <b>Note:</b> Order QTY 2 doors for double door application) Single 7'H with Transom	
Handle Type	Pull	
Pull Height	12" 20" 49" 60"	
Floor Treatment	Will populate if footer or drop seal is selected: Footer	
Glass Code	See below for glass finish options	
Option	Specification Description	Specification
Glass Selection	TA: 3/8" Tempered, Clear	
	TB: 3/8" Tempered, Low Iron	See <a href="#">Beyond Frame Finishes</a>

Specification Example: **BY-FGSDLEAF.####.TA**

**Note:** If Enhanced Acoustics is selected for a frameless door, it will not appear notated on the door model.

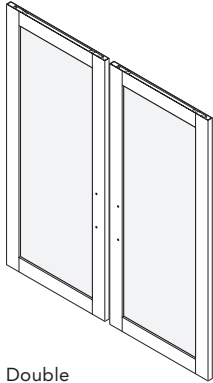
Base Model	Description	Specification
BY-FGSDFOOTER	Frameless Glass Sliding Door Bottom Seal	BY-FGSDFOOTER
Configuration ID	Specification Description	
Product	Beyond	
Dimension	42"	
Trim Type	Door Apron	
Trim Use	Strike Universal	
Trim Style	Will populate if drop seal is selected: Drop Seal	
Finish Color	Painted or Anodized Finishes	
Option	Specification Description	Specification
Paint Color Selection	3-digit painted or anodized finish	See <a href="#">Beyond Frame Finishes</a>

Specification Example: **BY-FGSDFOOTER.####.P8X**





Single, Full Strike Locking



Double

Base Model	Description	Specification
BY-ALSDLEAF	Aluminum Framed Glass Sliding Door Leaf	BY-ALSDLEAF

Configuration ID	Specification Description
Product	Beyond
Width	42" or 48" - Single Door 78" - Double Door
Height	86" - 120" up to 42"W in ¼" increments 86" - 108¾" up to 48"W in ¼" increments 85" only - Single 7'H with Transom
Strike Style	Field will populate if full strike is selected Full Strike Full Strike Locking
Door Type	Sliding
Door Style	Aluminum 5in Base
Door Module	Single Double ( <b>Note:</b> Order QTY 2 doors for double door application) Single 7'H with Transom
Enhanced Acoustic	Standard Enhanced
Handle Type	Pull
Pull Height	12" 20" 49" 60"
Glass Code	See below for glass finish options
Aluminum Rail Finish	See <a href="#">Beyond Frame Finishes</a>

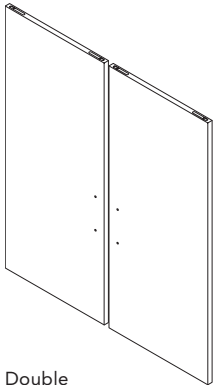
Option	Specification Description	Specification
Glass Selection	QA: ¼" Tempered, Clear	
	QB: ¼" Tempered, Low Iron	
	QC: ¼" Laminated, Clear	
	QD: ¼" Laminated, Low Iron	
	QE: ¼" Laminated, Clear, Translucent White	
	QF: ¼" Laminated, Low Iron, Marker Board	
	QG: ¼" Laminated, High Performance, Clear	
	QH: ¼" Laminated, High Performance, Low Iron	
	QL: ¼" Laminated, Clear, Marker Board	
	TA: ⅜" Tempered, Clear	
	TB: ⅜" Tempered, Low Iron	
	TC: ⅜" Laminated, Clear	
	TD: ⅜" Laminated, Low Iron	
	TE: ⅜" Laminated, Clear, Translucent White	
	TF: ⅜" Laminated, Low Iron, Marker Board	
	TG: ⅜" Laminated, High Performance, Clear	
TH: ⅜" Laminated, High Performance, Low Iron		
TL: ⅜" Laminated, Clear, Marker Board		
TN: ⅜" Back-to-Back Back-Painted, Low Iron, Turquoise		
TP: ⅜" Back-to-Back Back-Painted, Low Iron, Cherry		
TQ: ⅜" Back-to-Back Back-Painted, Low Iron, Lawn		
TR: ⅜" Back-to-Back Back-Painted, Low Iron, Jet		
TS: ⅜" Back-to-Back Back-Painted, Low Iron, Mandarin	A	
Paint Color Selection	3-digit painted or anodized finish	

Specification Example: **BY-ALSDLEAF.####.QA.P8X**

**A** = Limited to 42"W doors or 48"W doors specified at 7'H with Transom.



Single, Full Strike Locking



Double

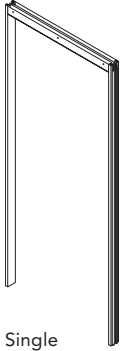
Base Model	Description	Specification
BY-SLSDSLEAF	Solid Sliding Door Leaf	BY-SLSDSLEAF
Configuration ID	Specification Description	Specification
Product	Beyond	
Width	42" or 48" - Single Door 78" - Double Door	
Height	86" - 120" up to 42"W in ¼" increments 86" - 108¾" up to 48"W in ¼" increments 85" only - Single 7'H with Transom	
Strike Style	Field will populate if full strike is selected Full Strike Full Strike Locking	
Door Type	Sliding	
Door Style	Wood	
Door Module	Single Double ( <b>Note:</b> Order QTY 2 doors for double door application) Single 7'H with Transom	
Handle Type	Pull	
Pull Height	12" 20" 49" 60"	
FSC	FSC Certified Not FSC Certified	FSC X
Finish	See below	
Option	Specification Description	Specification
FSC Option	FSC Certified Standard Wood (Not FSC Certified)	FSC X
Material Grade and Color Option	Veneer - See <a href="#">Beyond Veneer Finishes</a> Laminate - See <a href="#">Beyond Laminate Finishes</a> Painted Wood - See <a href="#">Beyond Painted Wood Finishes</a>	

Specification Example: BY-SLSDSLEAF.####.LWC

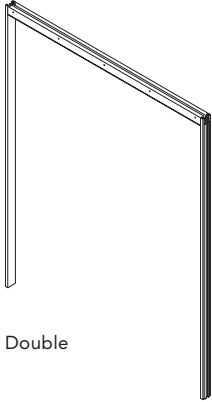
**Note:** If Enhanced Acoustics is selected for a solid door, it will not appear notated on the door model.

# Sliding Doors

SEISMIC ZONES  
 CEILING CONNECTION & FREESTANDING  
 PANEL LEVELING  
 FRAMELESS  
 FRAMED AND SOLID  
 DOORS  
 CABANA  
 VIZ  
 NEW, REVISED, AND DISCONTINUED  
 APPENDIX



Single



Double

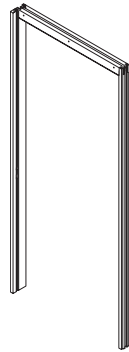
Base Model	Description	Specification
BY-SDFRAME	Sliding Door Frame	BY-SDFRAME

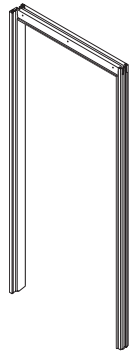
Configuration ID	Specification Description
Product	Beyond
Width	42" - Single Door 48" - Single Door 78" - Double Door
Height	86"-120" in 1/4" increments
Strike Style	Will populate if full strike is selected Full
Door Type	Sliding
Door Style	Frameless Glass Wood or Aluminum
Door Module	Single Double
Enhanced Acoustic	Standard Enhanced
Hand	Will populate if full strike is selected Left Right
Frame Finish	Painted or Anodized Finishes

Option	Specification Description	Specification
Paint Color Selection	3-digit painted or anodized finish	See <a href="#">Beyond Frame Finishes</a>

Specification Example: BY-SDFRAME.####.P8X



Single, Full Strike, Frameless Glass



Single, Full Strike, Aluminum Framed Glass/Solid

Base Model	Description	Specification
BY-SDTRACK	Sliding Door Track	BY-SDTRACK

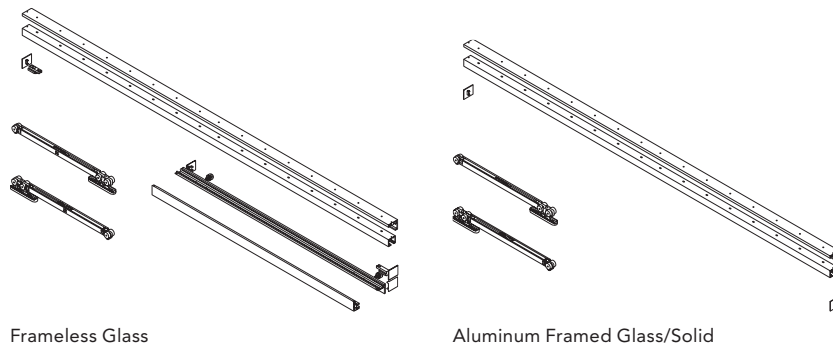
  

Configuration ID	Specification Description
Product	Beyond Track
Width	42" or 48" - Single Door 78" - Double Door
Strike Style	Will populate if full strike is selected Full
Door Type	Sliding 7'H with Transom Sliding
Door Style	Frameless Glass Wood or Aluminum
Door Module	Single Double
Enhanced Acoustic	Standard Enhanced
Closer	Will populate if slow close is selected: Sliding Slow Close
Frame Finish	Painted or Anodized Finishes

Option	Specification Description	Specification
Paint Color Selection	3-digit painted or anodized finish	See <a href="#">Beyond Frame Finishes</a>

Specification Example: BY-SDTRACK.####.P8X



Frameless Glass

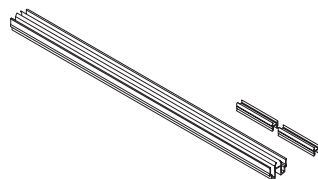
Aluminum Framed Glass/Solid

Base Model	Description	Specification
BY-SDMOUNT	Frameless Glass Panel Sliding Door Mount	BY-SDMOUNT

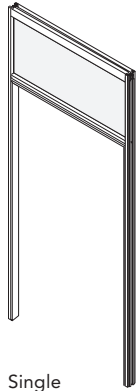
  

Option	Specification Description	Specification
Quantity	Single Double	S D

Specification Example: BY-SDMOUNT.S



Mounting Kit



Single

Base Model	Description	Specification
BY-SDFRAMEGLTR	Sliding Door Frame with Transom	BY-SDFRAMEGLTR

Configuration ID	Specification Description
Product	Beyond
Width	42" or 48"
Height	96" - 120" in ¼" increments - Nominal height from top of transom to finished floor
Transom Height	10¾" - 37¾" in ¼" increments
Door Type	7'H with Transom Sliding
Door Style	Frameless Glass Wood or Aluminum
Door Module	Single
Enhanced Acoustic	Standard Enhanced
Glass Code	See options below
Frame Finish	See options below

Option	Specification Description	Specification
Glass Selection	QA: ¼" Tempered, Clear	
	QB: ¼" Tempered, Low Iron	
	QC: ¼" Laminated, Clear	
	QD: ¼" Laminated, Low Iron	
	QE: ¼" Laminated, Clear, Translucent White	
	QF: ¼" Laminated, Low Iron, Marker Board	
	QG: ¼" Laminated, High Performance, Clear	
	QH: ¼" Laminated, High Performance, Low Iron	
	QL: ¼" Laminated, Clear, Marker Board	
	TA: ⅜" Tempered, Clear	
	TB: ⅜" Tempered, Low Iron	
	TC: ⅜" Laminated, Clear	
	TD: ⅜" Laminated, Low Iron	
	TE: ⅜" Laminated, Clear, Translucent White	
	TF: ⅜" Laminated, Low Iron, Marker Board	
	TG: ⅜" Laminated, High Performance, Clear	
	TH: ⅜" Laminated, High Performance, Low Iron	
TL: ⅜" Laminated, Clear, Marker Board		
TN: ⅜" Back-to-Back Back-Painted, Low Iron, Turquoise		
TP: ⅜" Back-to-Back Back-Painted, Low Iron, Cherry		
TQ: ⅜" Back-to-Back Back-Painted, Low Iron, Lawn		
TR: ⅜" Back-to-Back Back-Painted, Low Iron, Jet		
TS: ⅜" Back-to-Back Back-Painted, Low Iron, Mandarin		
Paint Color Selection	3-digit painted or anodized finish	See <a href="#">Beyond Frame Finishes</a>

Specification Example: BY-SDFRAMEGLTR.#####.QA.P8X



Trailing Edge Seal

Base Model	Description	Specification
BY-FGTRAILINGSEAL	Frameless Glass Door Trailing Edge Seal	BY-FGTRAILINGSEAL

Specification Example: BY-FGTRAILINGSEAL



12"

Base Model	Description	Specification
BY-PULL12	12" Ladder Pull	BY-PULL12
Option	Specification	Description
Door Material	Frameless Glass	FG
	Aluminum-Framed/Wood	AL-WD
Trim Color	3-digit finish code	See <a href="#">Beyond Hardware Finishes</a>

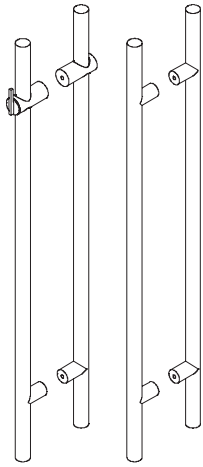
Specification Example: BY-PULL12.FG.SIL



20"

Base Model	Description	Specification
BY-PULL20	20" Ladder Pull	BY-PULL20
Option	Specification	Description
Trim Color	3-digit finish code	See <a href="#">Beyond Hardware Finishes</a>

Specification Example: BY-PULL20.SIL

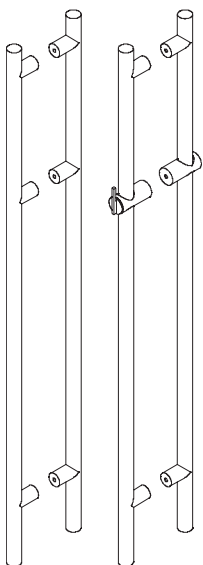


49"  
Passage

49"  
Locking  
with SFIC

Base Model	Description	Specification
BY-PULL49	49" Ladder Pull	BY-PULL49
Option	Specification	Description
Locking Option	Passage	P
	Locking with SFIC	SFIC
Trim Color	3-digit finish code	See <a href="#">Beyond Hardware Finishes</a>

Specification Example: BY-PULL49.P.SIL

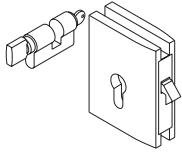


60"  
Passage

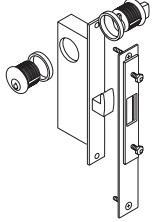
60"  
Locking  
with SFIC

Base Model	Description	Specification
BY-PULL60	60" Ladder Pull	BY-PULL60
Option	Specification	Description
Locking Option	Passage	P
	Locking with SFIC	SFIC
Trim Color	3-digit finish code	See <a href="#">Beyond Hardware Finishes</a>

Specification Example: BY-PULL60.P.SIL



Frameless Glass



Aluminum Framed Glass/Solid

Base Model	Description	Specification
<b>BY-SLIDINGFSLOCK</b>	Full Strike Sliding Lock	<b>BY-SLIDINGFSLOCK</b>

Option	Specification Description	Specification
<b>Door Material</b>	Frameless Glass	<b>FG</b>
	Wood/Aluminum Framed Door	<b>WA</b>

Specification Example: **BY-SLIDINGFSLOCK.FG**

Base Model	Description	Specification
<b>BY-SLIDINGSEALPKG</b>	Sliding Door Seal Retrofit	<b>BY-SLIDINGSEALPKG</b>

Option	Specification Description	Specification
<b>Door Material</b>	Frameless Glass	<b>.FG</b>
	Bottom Seal Finish	
	Designer White	<b>DW</b>
	Black	<b>E4</b>
	Grey	<b>EC</b>
	Aluminum Framed	<b>.AL</b>
	Wood	<b>.WD</b>

Specification Example: **BY-SLIDINGSEALPKG.FGDW**

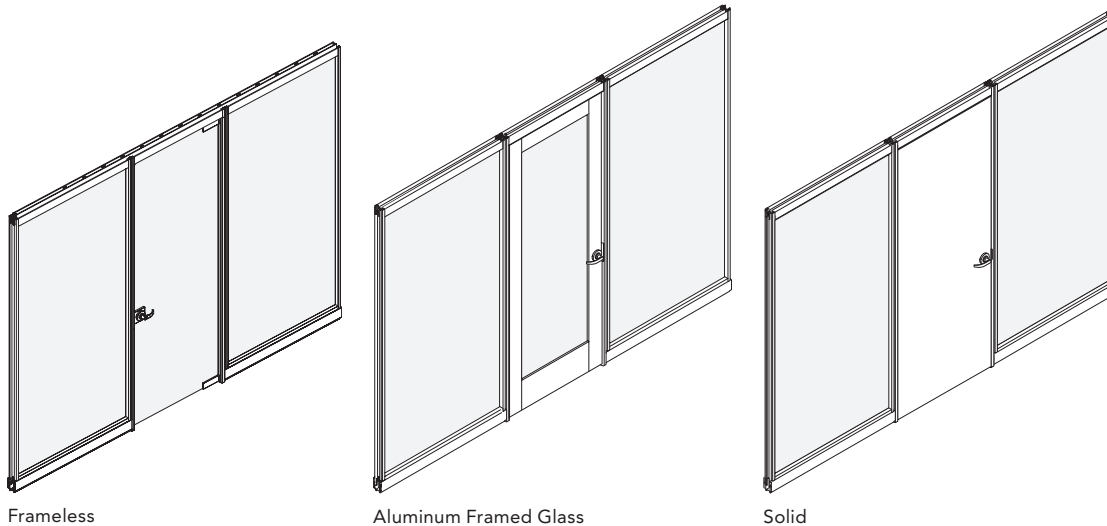
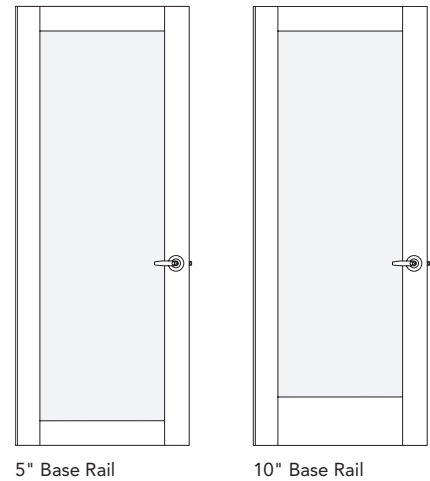
SEISMIC ZONES  
CEILING CONNECTION & FREESTANDING  
PANEL LEVELING  
FRAMELESS  
FRAMED AND SOLID  
DOORS  
CABANA  
VIZ  
NEW, REVISED, AND DISCONTINUED  
APPENDIX

## Swing Doors

Swing doors on Beyond use two main mechanisms: center swing pivot and hinge. Center swing pivot doors offer greater flexibility as the strike plate on the partial strike frames can be reversed, allowing the door to be non-handed.

### Center Swing Pivot Doors

- All single center swing pivot doors utilize a 39" door module.
  - Clearance is 33¼" on solid and aluminum framed doors.
  - Clearance is 32½" on frameless glass center swing pivot from the hinge patch cover to the frame on frameless glass doors.
- Door frames for center swing pivot doors must be anchored to the floor to provide appropriate support for the door.
- Center swing pivot doors are non-handed.
- If specifying a swing door within the middle of a run, it is recommended to use a hinged option rather than a center swing pivot. The solid and aluminum framed hinged door allows for the full 180° swing where the door stop can be placed out of the walkway. However, the center swing pivot door is restricted to approximately 90° of opening.
- Center swing pivot doors come in frameless glass, aluminum framed glass, and solid (vener, laminate and painted wood).
- Door frames are available in partial strike.
  - The strike plate for partial strike door frames can be reversed, allowing the door frame to be non-handed.
  - Frameless glass doors specified with a pull use a frame with a standard strike.
- On frameless glass doors:
  - Mounting hardware is non-handed.
  - Top and bottom hinge patch cover includes high-density cast body.
  - Includes surface-mounted and floor-mounted center swing pivots.
- On aluminum framed glass doors, base rails are available in two options.
  - 5" base rail.
  - 10" base rail – required in some locations to comply with the Americans with Disabilities Act. This option is recommended unless it is known that the 5" base rail is approved for the installation location.
- Door levers are available in passage (non-locking) or standard format interchangeable core (SFIC) locking options.



- Frameless center swing pivot doors can be specified with ladder pulls. A magnetic catch must be specified along with a corresponding door and frame designed for door pulls.

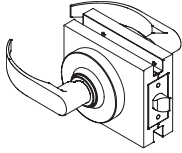


## Door Hardware

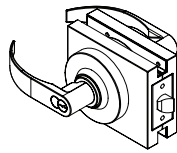
All exposed door hardware is available in silver or black. [See Materials and Finishes section](#) for more information.

### Frameless Glass Door Levers

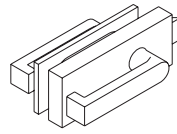
- For use with frameless glass door.
- Passage (non-locking), and locking with standard format interchangeable core (SFIC) lever options can be specified with Allsteel's glass pivot lever housing.



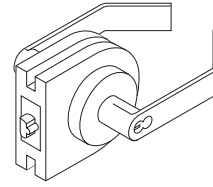
Passage



Locking with SFIC



Forward Passage **D**

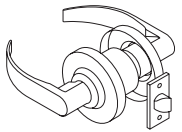


Locking with SFIC **D**

### Aluminum Framed Glass and Solid Door Levers

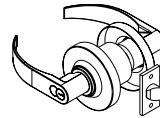
- For use with aluminum framed glass and solid doors.

#### Passage



#### Locking

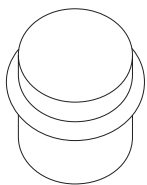
- Locking with SFIC
- Some manufacturers' cylinder-style locks can be used as a custom option.



### Door Stops

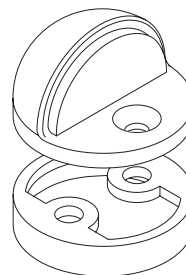
#### Cylindrical Door Stop

- Door stop is floor-mounted
- Height is 1½".



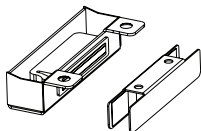
#### Dome Door Stop

- Door stop is floor-mounted
- Height is 1⅞" with optional spacer to increase height to 1½".



### Magnetic Catch

- Painted to match trim finish. Specify Anodized Silver - PRO to coordinate with Clear, Anodized door frame.
- For use with center swing pivot frameless doors when specified with a pull.



Magnetic Catch

**D** Discontinued 12/31/2020

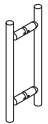
SEISMIC ZONES  
CEILING CONNECTION & FREESTANDING  
PANEL LEVELING  
FRAMELESS  
FRAMED AND SOLID  
DOORS  
CABANA  
VIZ  
NEW, REVISED, AND DISCONTINUED  
APPENDIX

## Ladder Pulls

- Use with frameless center swing pivot doors with a magnetic catch.

### 12"H Ladder Pull

- ¾" diameter pull
- Brushed stainless finish
- Passage only



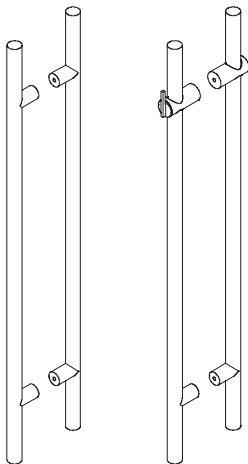
### 20"H Ladder Pull

- 1" diameter pull
- Anodized finish
- Passage only



### 49"H Ladder Pull

- 1 3/8" diameter pull
- Anodized finish
- Passage option
- Locking option
  - Thumb-turn deadbolt lock is received into a floor socket.
  - Rim cylinder with SFIC format
  - SFIC core for field-keying to building requirements
  - Best E keyway
  - Random keying
  - Use SFIC for any custom keying requirements.
  - LFIC and other RIM cylinders are available as a custom option.
  - Master keying is available by others.

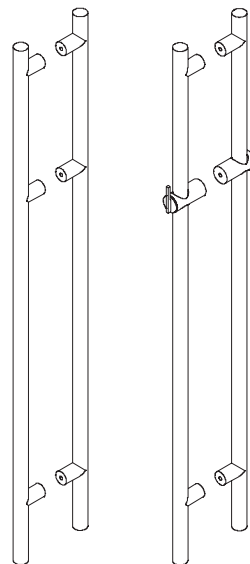


Passage

Locking with SFIC

### 60"H Ladder Pull

- 1 3/8" diameter pull
- Anodized finish
- Passage option
- Locking option
  - Thumb-turn deadbolt lock is received into a floor socket.
  - Rim cylinder with SFIC format
  - SFIC core for field-keying to building requirements
  - Best E keyway
  - Random keying
  - Use SFIC for any custom keying requirements.
  - LFIC and other RIM cylinders are available as a custom option.
  - Master keying is available by others.

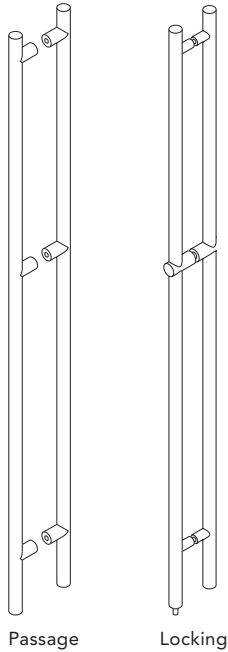


Passage

Locking with SFIC

## 72"H Ladder Pull **D**

- 1½" diameter pull
- Brushed stainless finish
- Passage option
- Locking option
  - Thumb-turn deadbolt lock is received into a floor socket.
  - Rim cylinder with SFIC format
  - SFIC core for field-keying to building requirements
  - Best E keyway
  - Random keying
  - Use SFIC for any custom keying requirements.
  - LFIC and other RIM cylinders are available as a custom option.
  - Master keying is available by others.



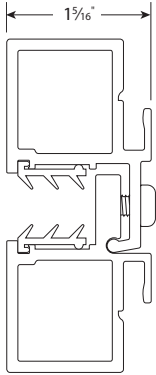
Passage

Locking

# Center Swing Pivot Doors

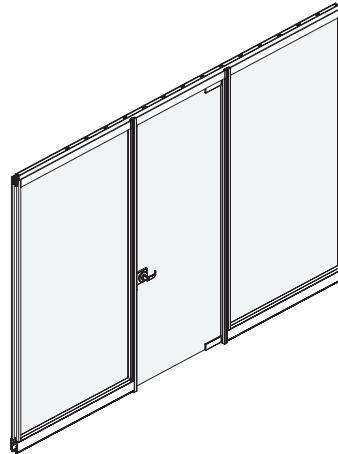
Working with Beyond®

**Step 1** - Is this center swing pivot door connecting to frameless glass panels? You will need frameless glass adapters for each side of the door frame that attaches to frameless glass.

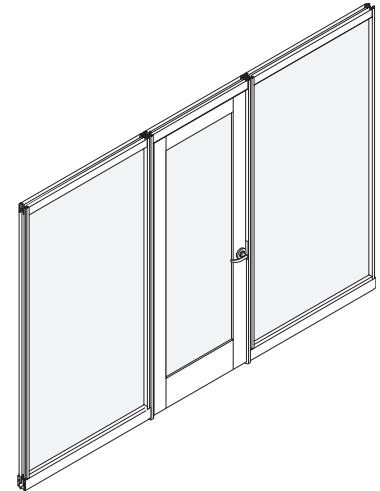


Swing Door Frame-to-Frameless Adapter

**Step 2** - Order center swing pivot door for single door in glass, aluminum framed glass and solid. Available in 39" wide modules with partial strike options. Order proper height. If specifying a swing door within the middle of a run, it is recommended to use a hinged option rather than a center swing pivot.

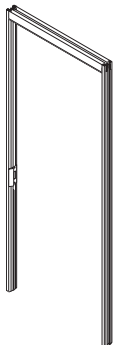


Frameless



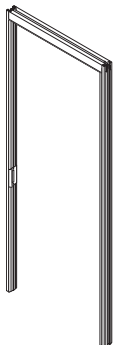
Aluminum Framed Glass

**Step 3** - Order center swing door frame for single door with a partial strike option or magnetic catch for glass. Frame is non-handed. Available in 39" wide modules. Order proper height. Four zippers should be specified to attach every door frame.



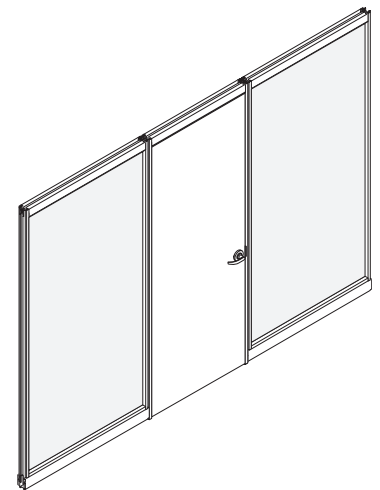
Clear Opening 32½"

Single Frameless Glass



Clear Opening 33¼"

Single Aluminum Framed Glass/Solid

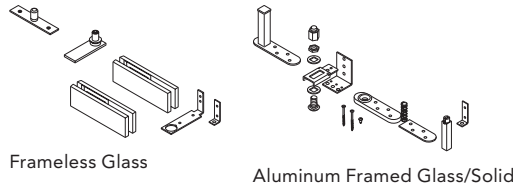


Solid

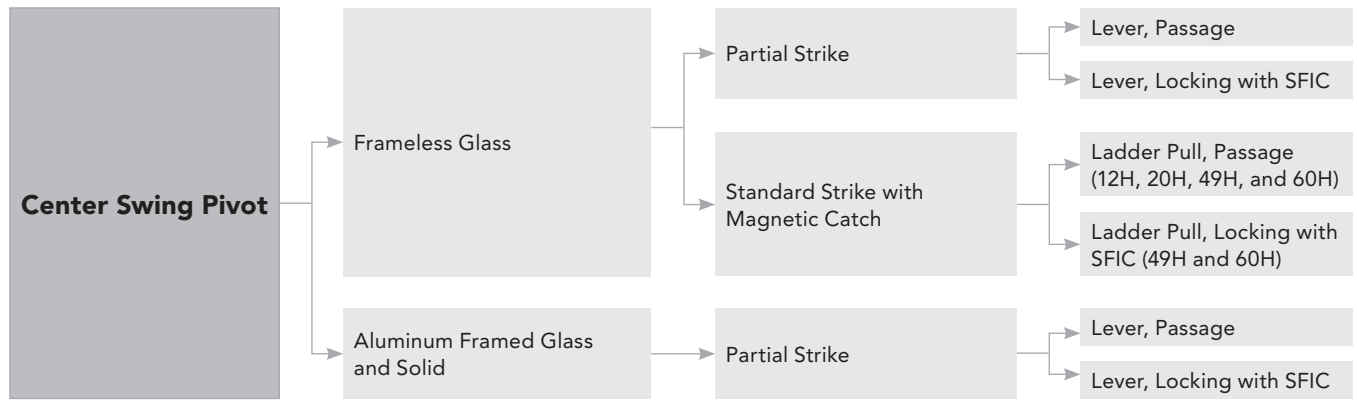
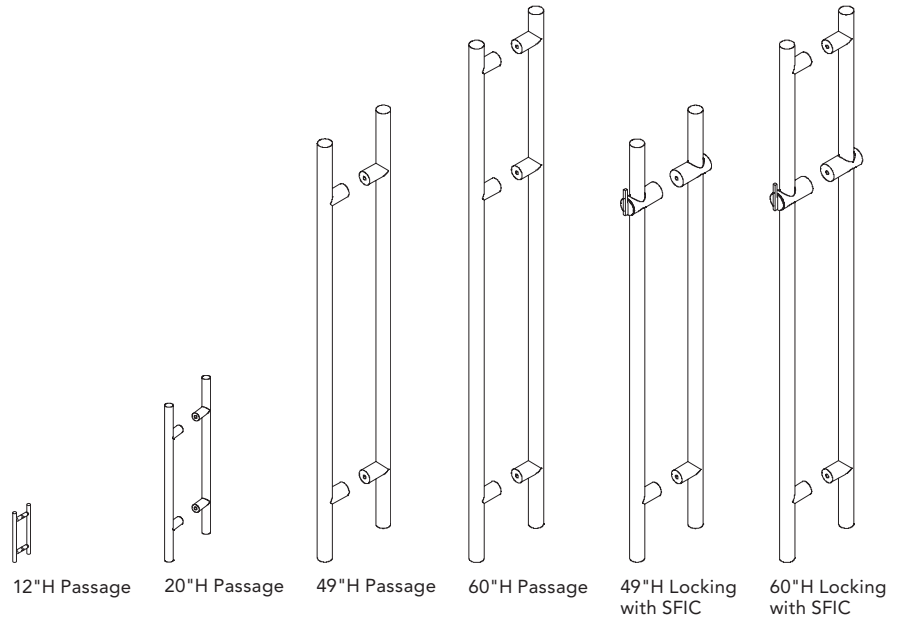
# Center Swing Pivot Doors

Working with Beyond®

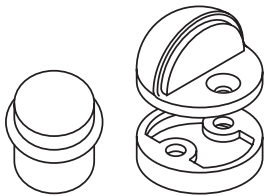
**Step 4** - Order center swing pivot door mounting hardware for frameless glass, aluminum framed glass, or solid.



**Step 5** - Choose center swing pivot door hardware.



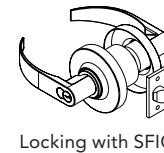
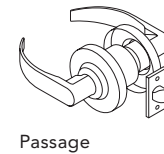
## Cylindrical & Dome



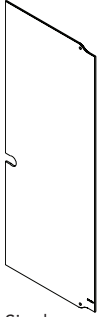
## Frameless Levers



## Aluminum Framed Glass/ Solid Levers



SEISMIC ZONES  
 CEILING CONNECTION & FREESTANDING  
 PANEL LEVELING  
 FRAMELESS  
 FRAMED AND SOLID  
 DOORS  
 CABANA  
 VIZ  
 NEW, REVISED, AND DISCONTINUED  
 APPENDIX



Single

Base Model	Description	Specification
BY-FGPDLEAF	Frameless Glass Pivot Door Leaf	BY-FGPDLEAF

Configuration ID	Specification Description
Product	Beyond
Width	39"
Height	86"-120" in 1/4" increments
Strike Style	Partial
Door Type	Pivot
Door Style	Frameless Glass
Door Module	Single
Handle Type	Lever Pull
Glass Code	See below for glass finish options

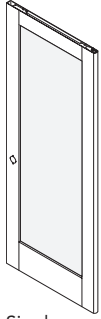
  

Option	Specification Description	Specification
Glass Selection	HA: 1/2" Tempered, Clear	
	HB: 1/2" Tempered, Low Iron	

Specification Example: **BY-FGSDLEAF.####.TA**

# Center Swing Pivot Doors

## Beyond® — Aluminum Framed Pivot Door



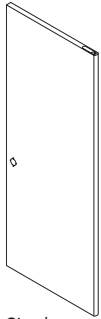
Single

Base Model	Description	Specification
BY-ALPDLEAF	Aluminum Framed Glass Pivot Door	BY-ALPDLEAF
Configuration ID	Specification Description	
Product	Beyond	
Width	39"	
Height	86"-120" in ¼" increments	
Strike Style	Partial	
Door Type	Pivot	
Door Style	Aluminum 5in Base Aluminum 10in Base	
Door Module	Single	
Handle Type	Lever	
Glass Code	See below for glass finish options	
Aluminum Rail Finish	See <a href="#">Beyond Frame Finishes</a>	

Option	Specification Description	Specification
Glass Selection	QA: ¼" Tempered, Clear	
	QB: ¼" Tempered, Low Iron	
	QC: ¼" Laminated, Clear	
	QD: ¼" Laminated, Low Iron	
	QE: ¼" Laminated, Clear, Translucent White	
	QF: ¼" Laminated, Low Iron, Marker Board	
	QG: ¼" Laminated, High Performance, Clear	
	QH: ¼" Laminated, High Performance, Low Iron	
	QL: ¼" Laminated, Clear, Marker Board	
	TA: ⅜" Tempered, Clear	
	TB: ⅜" Tempered, Low Iron	
	TC: ⅜" Laminated, Clear	
	TD: ⅜" Laminated, Low Iron	
	TE: ⅜" Laminated, Clear, Translucent White	
	TF: ⅜" Laminated, Low Iron, Marker Board	
	TG: ⅜" Laminated, High Performance, Clear	
	TH: ⅜" Laminated, High Performance, Low Iron	
TL: ⅜" Laminated, Clear, Marker Board		
TN: ⅜" Back-to-Back Back-Painted, Low Iron, Turquoise		
TP: ⅜" Back-to-Back Back-Painted, Low Iron, Cherry		
TQ: ⅜" Back-to-Back Back-Painted, Low Iron, Lawn		
TR: ⅜" Back-to-Back Back-Painted, Low Iron, Jet		
TS: ⅜" Back-to-Back Back-Painted, Low Iron, Mandarin		
Paint Color Selection	3-digit painted or anodized finish	See <a href="#">Beyond Frame Finishes</a>

Specification Example: BY-ALPDLEAF.####.QA.P8X

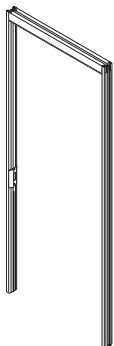
SEISMIC ZONES  
CEILING CONNECTION & FREESTANDING  
PANEL LEVELING  
FRAMELESS  
FRAMED AND SOLID  
DOORS  
CABANA  
VIZ  
NEW, REVISED, AND DISCONTINUED  
APPENDIX



Single

Base Model	Description	Specification
BY-SLDPDLEAF	Solid Pivot Door Leaf	BY-SLDPDLEAF
Configuration ID	Specification Description	
Product	Beyond	
Width	39"	
Height	86"-120" in ¼" increments	
Strike Style	Partial	
Door Type	Pivot	
Door Style	Wood	
Door Module	Single	
Handle Type	Lever	
FSC	FSC Certified	FSC
	Not FSC Certified	X
Finish	See finish options below	
Option	Specification Description	Specification
FSC Option	FSC Certified	FSC
	Standard Wood (Not FSC Certified)	X
Material Grade and Color Option	Veneer - See <a href="#">Beyond Veneer Finishes</a>	
	Laminate - See <a href="#">Beyond Laminate Finishes</a>	
	Painted Wood - See <a href="#">Beyond Painted Wood Finishes</a>	

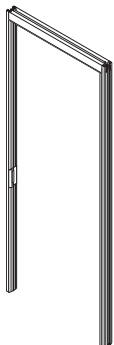
Specification Example: BY-SLDPDLEAF.###.LWC



Single Frameless Glass

Base Model	Description	Specification
BY-PDFRAME	Pivot Door Frame	BY-PDFRAME
Configuration ID	Specification Description	
Product	Beyond	
Width	39"	
Height	86"-120" in ¼" increments	
Strike Style	Will populate if lever hardware is selected Partial	
Door Type	Pivot	
Door Style	Frameless Glass Wood or Aluminum	
Door Module	Single	
Frame Finish	Painted or Anodized Finishes	
Option	Specification Description	Specification
Paint Color Selection	3-digit painted or anodized finish	See <a href="#">Beyond Frame Finishes</a>

Specification Example: BY-PDFRAME.###.P8X

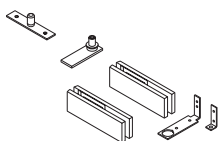


Single Aluminum Framed Glass/Solid

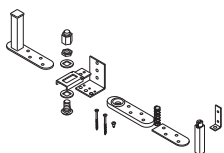
### Center Swing Pivot Door Mounting Hardware

Base Model	Description	Specification
BY-PIVOTMOUNT	Pivot Door Mounting Hardware	BY-PIVOTMOUNT
Option	Description	Specification
Door Material	Frameless Glass	FG
	Aluminum-Framed/Wood	AL-WD
Trim Color	3-digit finish selection	See <a href="#">Beyond Hardware Finishes</a>

Specification Example: BY-PIVOTMOUNT.FG.SIL



Frameless Glass

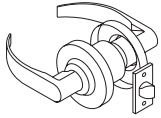


Aluminum Framed Glass/Solid

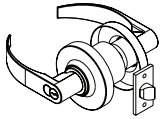


# Center Swing Pivot Door Hardware

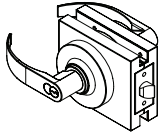
Beyond® — Doors



Passage



Locking



SFIC Locking

Base Model	Description	Specification
<b>BY-LEVER</b>	Cylindrical Lockset	BY-LEVER
Option	Specification Description	Specification
<b>Locking Option</b>	Passage <b>P</b>	
	Locking with SFIC	<b>SFIC</b>
<b>Door Material</b>	Frameless Glass	<b>FG</b>
	Aluminum-Framed/Wood	<b>AL-WD</b>
<b>Trim Color</b>	3-digit finish code	See <a href="#">Beyond Hardware Finishes</a>

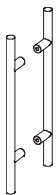
Specification Example: **BY-LEVER.P.FG.SIL**



12"

Base Model	Description	Specification
<b>BY-PULL12</b>	12" Ladder Pull	<b>BY-PULL12</b>
Option	Specification Description	Specification
<b>Door Material</b>	Frameless Glass	<b>FG</b>
	Aluminum-Framed/Wood	<b>AL-WD</b>
<b>Trim Color</b>	3-digit finish code	See <a href="#">Beyond Hardware Finishes</a>

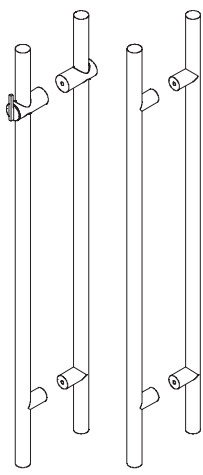
Specification Example: **BY-PULL12.FG.SIL**



20"

Base Model	Description	Specification
<b>BY-PULL20</b>	20" Ladder Pull	<b>BY-PULL20</b>
Option	Specification Description	Specification
<b>Trim Color</b>	3-digit finish code	See <a href="#">Beyond Hardware Finishes</a>

Specification Example: **BY-PULL20.SIL**



49" Passage

49" Locking with SFIC

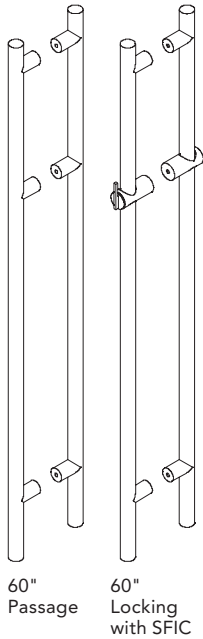
Base Model	Description	Specification
<b>BY-PULL49</b>	49" Ladder Pull	<b>BY-PULL49</b>
Option	Specification Description	Specification
<b>Locking Option</b>	Passage	<b>P</b>
	Locking with SFIC	<b>SFIC</b>
<b>Trim Color</b>	3-digit finish code	See <a href="#">Beyond Hardware Finishes</a>

Specification Example: **BY-PULL49.P.SIL**

CEILING CONNECTION & FREESTANDING SEISMIC ZONES  
 PANEL LEVELING  
 FRAMELESS  
 FRAMED AND SOLID  
 DOORS  
 CABANA  
 VIZ  
 NEW, REVISED, AND DISCONTINUED  
 APPENDIX

# Center Swing Pivot Door Hardware

Beyond® — Doors



Base Model	Description	Specification
BY-PULL60	60" Ladder Pull	BY-PULL60
Option	Specification Description	Specification
Locking Option	Passage	P
	Locking with SFIC	SFIC
Trim Color	3-digit finish code	See <a href="#">Beyond Hardware Finishes</a>

Specification Example: **BY-PULL60.P.SIL**



Dome

Base Model	Description	Specification
BY-DOMESTOP	Dome Door Stop	BY-DOMESTOP
Option	Specification Description	Specification
Trim Color	3-digit finish code	See <a href="#">Beyond Hardware Finishes</a>

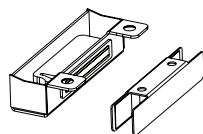
Specification Example: **BY-DOMESTOP.SIL**



Cylindrical

Base Model	Description	Specification
BY-CYLSTOP	Cylindrical Door Stop	BY-CYLSTOP
Option	Specification Description	Specification
Trim Color	3-digit finish code	See <a href="#">Beyond Hardware Finishes</a>

Specification Example: **BY-CYLSTOP.SIL**



Magnetic Catch

Base Model	Description	Specification
BY-MAGCATCH	Magnetic Catch	BY-MAGCATCH
Option	Specification Description	Specification
Paint Color Selection	3-digit finish code	See: <a href="#">Beyond Painted Finish Options</a>

Specification Example: **BY-MAGCATCH.P8X**

**Note:** Specify Anodized Silver - PR0 to coordinate with Clear, Anodized frame.

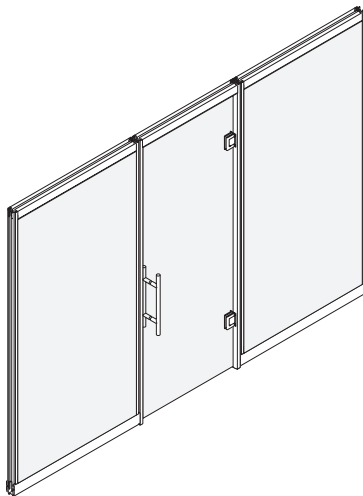
## Hinged Doors

### General Information

- All single hinged doors utilize a 39" door module.
  - Clearance is 33<sup>3</sup>/<sub>8</sub>" on solid or aluminum framed doors.
  - Clearance is 34<sup>1</sup>/<sub>8</sub>" on frameless glass hinged doors.
- All double hinged doors utilize a 75" door module.
  - Clearance is 67<sup>3</sup>/<sub>8</sub>" on solid and aluminum framed doors.
  - Clearance is 68<sup>3</sup>/<sub>8</sub>" on frameless glass hinged doors.
- Door frames for hinged doors must be anchored to the floor to provide appropriate support for the door.
- Handedness
  - Frameless glass hinged doors and door frames are non-handed.
  - Aluminum framed and solid hinged doors and door frames are handed.
- If specifying a swing door within the middle of a run, it is recommended to use a hinged option rather than a center swing pivot. The solid and aluminum framed hinged door allows for the full 180° swing where the door stop can be placed out of the walkway. However, the center swing pivot door is restricted to approximately 90° of opening.

### Hinged Frameless Glass Doors

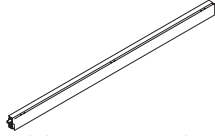
- Doors swing 90 degrees both inward and outward. An optional strike bracket can be installed to prevent the outward or inward swing of the door.
- Hydraulic hinges provide self-closing mechanism.
  - Automatic closing from 0 to 80 degrees.
  - Adjustable closing speed.
  - Stops at +90- or -90-degree open position.
- Utilize ladder pull options for door hardware. [See the Hinged Door Hardware pages of the Doors section](#) for details.
- Frameless glass hinged doors can be locked by specifying the locking ladder pull options.
  - The frameless glass center swing pivot door levers may also be used as a custom hardware and custom door frame option to provide additional locking options for frameless glass hinged doors.



Hinged Frameless Glass

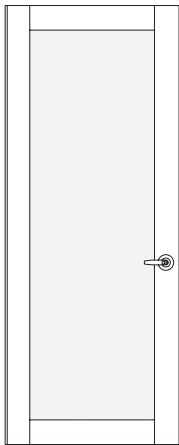
## Hinged Aluminum Framed and Solid Doors

- Hinged solid and aluminum framed doors offer the most acoustic door solution with seals on three sides of the door including an optional drop seal to seal the fourth side.
  - Drop seal can be specified as an option in the door model for aluminum framed doors.
  - Drop seal for solid doors is a separate model.

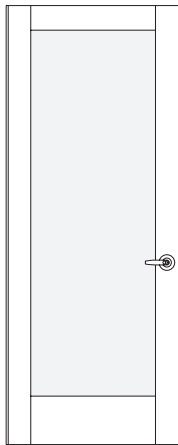


Solid Door Drop Seal

- Base rails on aluminum framed doors are available in two options.
  - 5" base rail
  - 10" base rail – required in some locations to comply with the Americans with Disabilities Act. This option is recommended unless it is known that the 5" base rail is approved for the installation location.

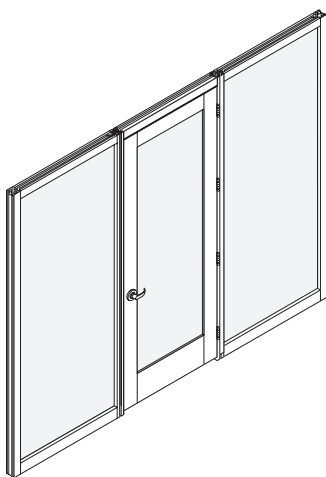


5" Base Rail

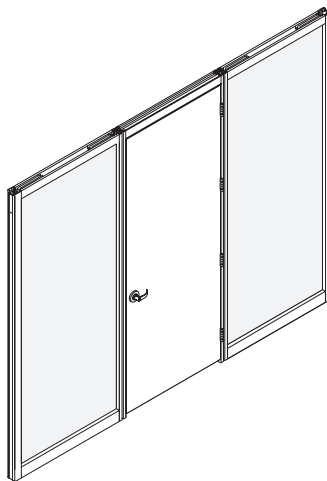


10" Base Rail

- Mounting hardware includes QTY (4) ball-bearing door hinges.
  - Square corner design
  - Measures 4" x 4"
- Door levers are available in passage or locking options.



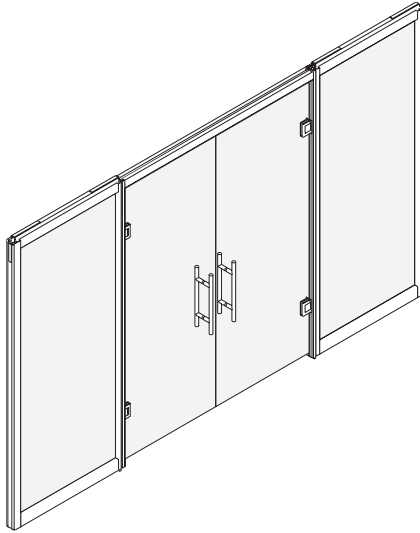
Hinged Aluminum Framed



Hinged Solid

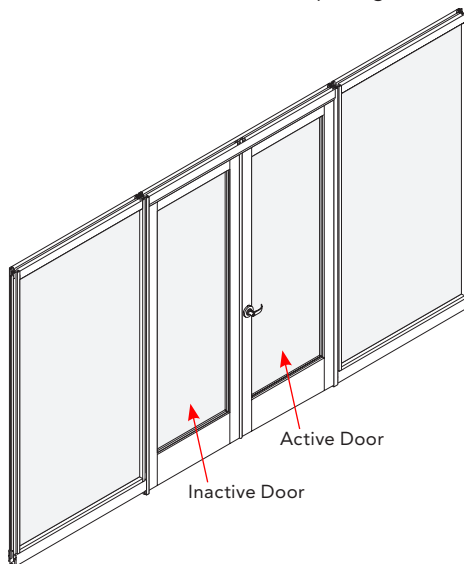
## Double Hinged Doors

- Hinged Frameless Glass Double Doors
  - Utilizes the same components that are used on the single hinged frameless glass doors.
  - Order doors, door frames, and mounting hardware for double doors.
  - Order QTY (2) double frameless doors.
  - Doors swing 90 degrees both inward and outward. An optional strike bracket can be installed to prevent outward or inward swing of the door.
  - Hydraulic hinges provide self-closing mechanism.
  - Stops at +90- or -90-degree open position.
  - Available as a special without the hold-open feature for use with maglocks or other electronic access devices.
  - Double hinged frameless glass doors can be locked by specifying two of the locking ladder pull options.

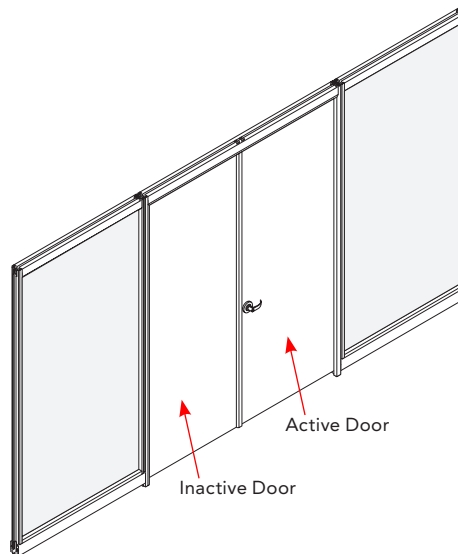


Hinged Frameless Glass, Double

- Hinged Aluminum Framed and Solid Double Doors
  - Double doors are handed and require specifying the active door.
  - Order QTY (1) active and QTY (1) inactive door.
    - The active door opens and closes with a lever.
    - The inactive door utilizes a flush bolt latch connecting into the door frame to lock out swing. Disengage latch to open the door.
    - The inactive door also incorporates an astragal for the active door to close against, and provides a light and sound seal between the doors.
  - Door levers are available in passage or locking options.



Hinged Aluminum Framed, Double



Hinged Solid, Double

SEISMIC ZONES  
CEILING CONNECTION & FREESTANDING  
PANEL LEVELING  
FRAMELESS  
FRAMED AND SOLID  
DOORS  
CABANA  
VIZ  
NEW, REVISED, AND DISCONTINUED  
APPENDIX

## Frameless Hinged Door Pulls

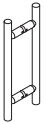
All exposed door hardware is available in silver or black finish. [See Materials and Finishes section](#) for more information.

### Ladder Pulls

- Use with all hinged frameless glass doors.

#### 12"H Ladder Pull

- ¾" diameter pull
- Brushed stainless finish
- Passage only



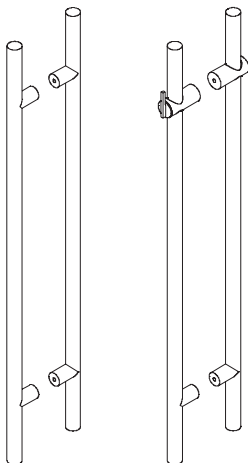
#### 20"H Ladder Pull

- 1" diameter pull
- Anodized finish
- Passage only



#### 49"H Ladder Pull

- 1⅜" diameter pull
- Anodized finish
- Passage option
- Locking option
  - Thumb-turn deadbolt lock is received into a floor socket.
  - Rim cylinder with SFIC format
  - SFIC core for field-keying to building requirements
  - Best E keyway
  - Random keying
  - Use SFIC for any custom keying requirements.
  - LFIC and other RIM cylinders are available as a custom option.
  - Master keying is available by others.

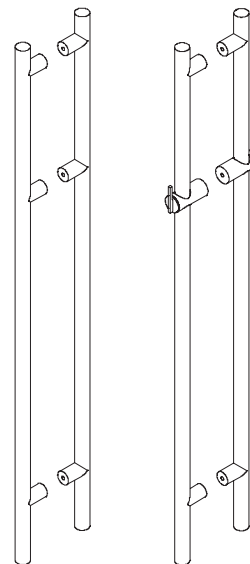


Passage

Locking with SFIC

#### 60"H Ladder Pull

- 1⅜" diameter pull
- Anodized finish
- Passage option
- Locking option
  - Thumb-turn deadbolt lock is received into a floor socket.
  - Rim cylinder with SFIC format
  - SFIC core for field-keying to building requirements
  - Best E keyway
  - Random keying
  - Use SFIC for any custom keying requirements.
  - LFIC and other RIM cylinders are available as a custom option.
  - Master keying is available by others.

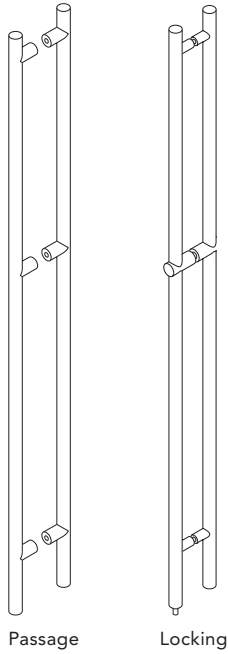


Passage

Locking with SFIC

## 72"H Ladder Pull **D**

- 1½" diameter pull
- Brushed stainless finish
- Passage option
- Locking option
  - Thumb-turn deadbolt lock is received into a floor socket.
  - Rim cylinder with SFIC format
  - SFIC core for field-keying to building requirements
  - Best E keyway
  - Random keying
  - Use SFIC for any custom keying requirements.
  - LFIC and other RIM cylinders are available as a custom option.
  - Master keying is available by others.



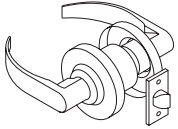
Passage

Locking

## Hinged Door Levers

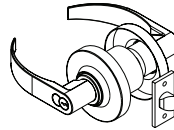
- For use with aluminum framed glass and solid doors.
- All exposed door hardware is available in silver or black finish. See [Materials and Finishes](#) section for details.

### Passage



### Locking with SFIC

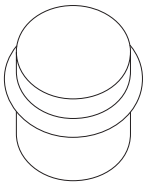
- Locking with SFIC
- Some manufacturers' cylinder-style locks can be used as a custom option.



## Door Stops

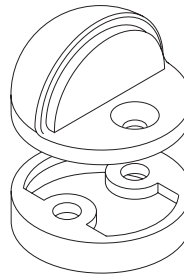
### Cylindrical Door Stop

- Door stop is floor-mounted
- Height is 1½".



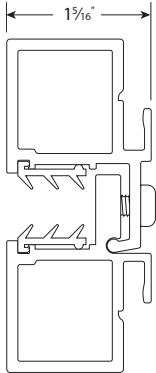
### Dome Door Stop

- Door stop is floor-mounted
- Height is 1⅞" with optional spacer to increase height to 1½".



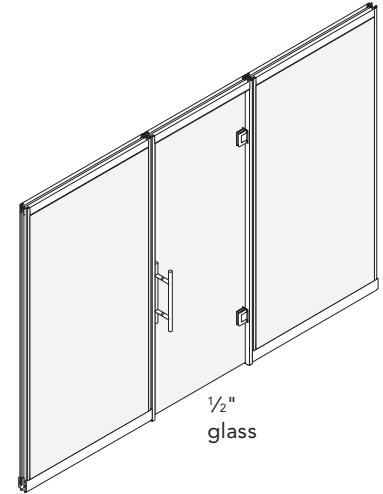


**Step 1** - Is this hinged door connecting to frameless glass panels? You will need frameless glass adapters for each side of the door frame that attaches to frameless glass.



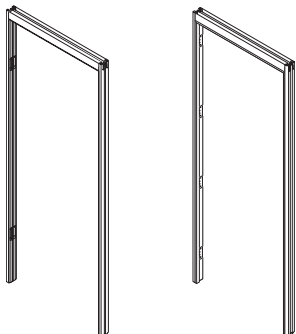
Swing Door Frame-to-Frameless Adapter

**Step 2** - Order hinged door for single or double doors in glass, aluminum framed glass or solid. Available in 39" & 75" wide modules. Order proper height. Frameless glass doors are non-handed. Aluminum framed glass and solid doors are handed. Order QTY (2) frameless glass doors for double door application. Specify inactive door on aluminum framed glass and solid doors. Order QTY (1) active door and QTY (1) inactive door. Drop seal option available for aluminum framed glass and solid door options. Drop seal is ordered separately.



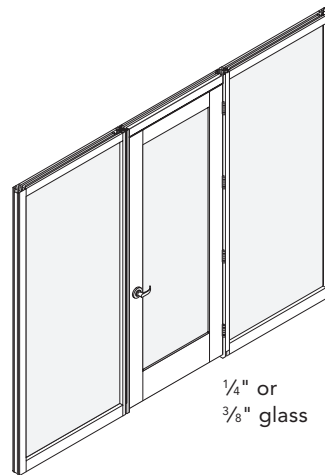
Frameless Glass

**Step 3** - Order hinged door frame for single or double door. Aluminum framed glass and solid doors are handed and have an active door choice in double door applications. Available with a full strike option for aluminum framed glass and solid. Available in 39" and 75" wide modules. Four zippers should be specified to attach every door frame.

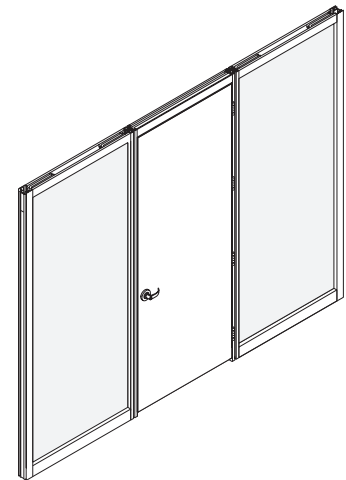


Single, Frameless Glass

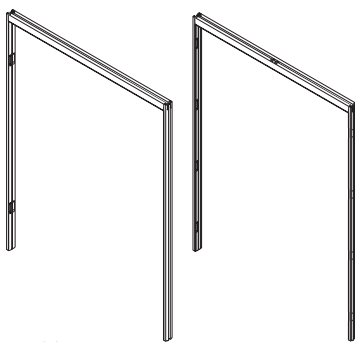
Single, Aluminum Framed Glass/Solid



Aluminum Framed Glass



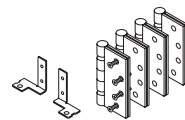
Solid



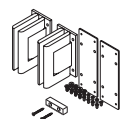
Double, Frameless Glass

Double, Aluminum Framed Glass/Solid

**Step 4** - Order Hinged door mounting hardware for frameless glass, aluminum framed glass or solid in single or double door applications.



Aluminum Framed Glass/Solid



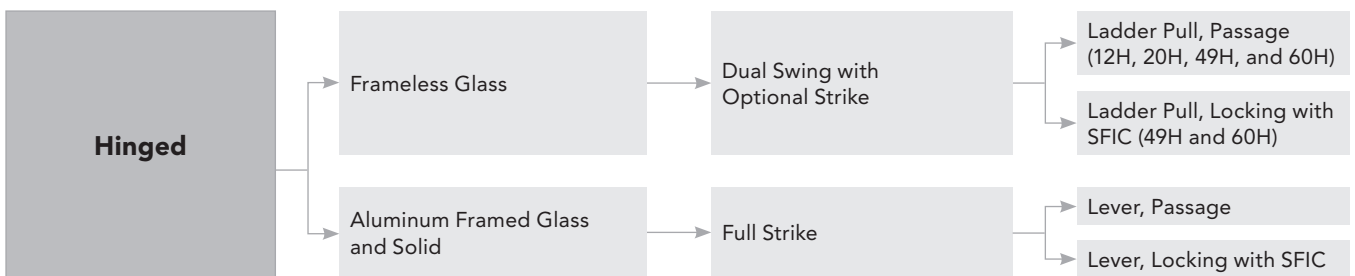
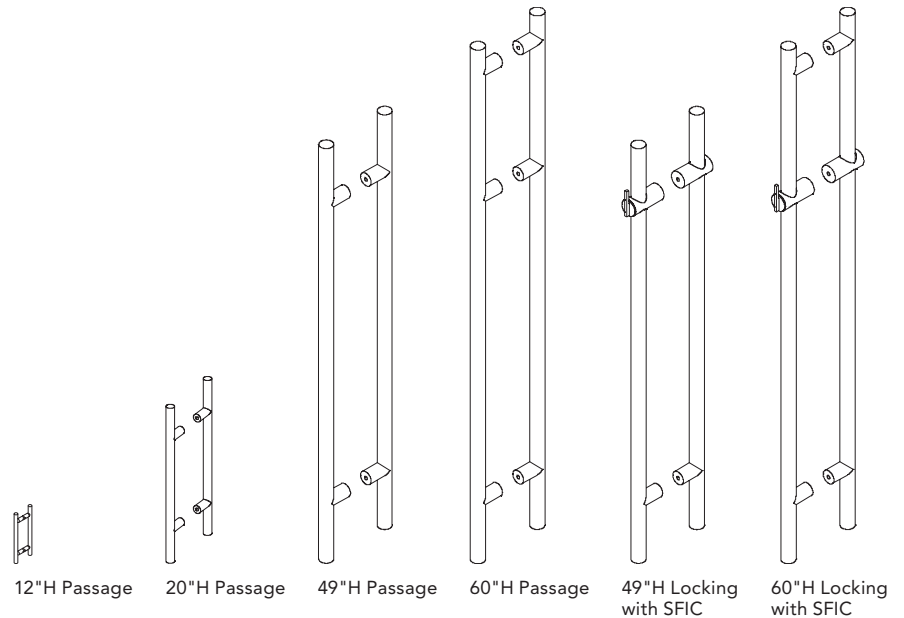
Glass Hydraulic Closer

SEISMIC ZONES  
CEILING CONNECTION & FREESTANDING  
PANEL LEVELING  
FRAMELESS  
FRAMED AND SOLID  
DOORS  
CABANA  
VIZ  
NEW, REVISED, AND DISCONTINUED  
APPENDIX

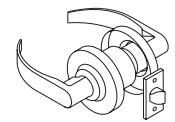
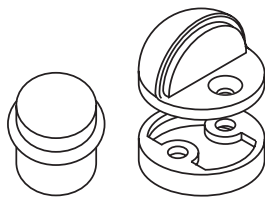
# Hinged Doors

Working with Beyond®

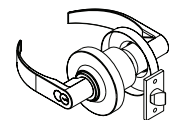
**Step 5** - Choose hinged door hardware.



## Cylindrical and Dome Door Stops



Passage



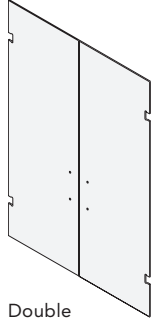
Locking with SFIC

# Hinged Doors

Beyond® — Frameless Hinged



Single



Double

Base Model	Description	Specification
BY-FGHDLEAF	Frameless Glass Hinged Door Leaf	BY-FGHDLEAF

Configuration ID	Specification Description
Product	Beyond
Width	39" - Single Door 75" - Double Door
Height	86"-120" in ¼" increments
Door Type	Hinged
Door Style	Frameless Glass
Door Module	Single Double ( <b>Note:</b> Order QTY 2 doors for double door application)
Handle Type	Pull
Pull Height	12" 20" 49" 60"
Glass Code	See Finish Options below

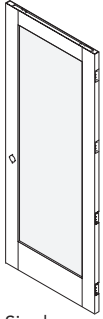
Option	Specification Description	Specification
Glass Selection	HA: ½" Tempered, Clear	HA
	HB: ½" Tempered, Low Iron	HB

Specification Example: BY-FGHDLEAF.####.HA

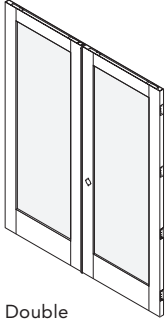
SEISMIC ZONES  
CEILING CONNECTION & FREESTANDING  
PANEL LEVELING  
FRAMELESS  
FRAMED AND SOLID  
DOORS  
CABANA  
VIZ  
NEW, REVISED, AND DISCONTINUED  
APPENDIX

# Hinged Doors

## Beyond® — Aluminum Framed Glass Door Leaf



Single



Double

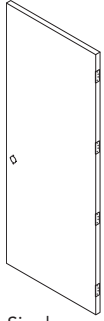
Base Model	Description	Specification
BY-ALHDLEAF	Aluminum Framed Glass Hinged Door Leaf	BY-ALHDLEAF
Configuration ID	Specification Description	
Product	Beyond	
Width	39" - Single Door 75" - Double Door	
Height	86"-120" in 1/4" increments	
Door Type	Hinged	
Door Style	Aluminum 5in Base Aluminum 10in Base	
Door Module	Single Double ( <b>Note:</b> Order QTY 1 active door and QTY 1 inactive door for double door application)	
Hand	Left Right	
Leaf Type	Will populate if double door is selected Active Inactive	
Handle Type	Lever	
Glass Code	See Finish Options below	
Aluminum Rail Finish	See <a href="#">Beyond Frame Finishes</a>	
Option	Specification Description	Specification
Glass Selection	QA: 1/4" Tempered, Clear	
	QB: 1/4" Tempered, Low Iron	
	QC: 1/4" Laminated, Clear	
	QD: 1/4" Laminated, Low Iron	
	QE: 1/4" Laminated, Clear, Translucent White	
	QF: 1/4" Laminated, Low Iron, Marker Board	
	QG: 1/4" Laminated, High Performance, Clear	
	QH: 1/4" Laminated, High Performance, Low Iron5	
	QL: 1/4" Laminated, Clear, Marker Board	
	TA: 3/8" Tempered, Clear	
	TB: 3/8" Tempered, Low Iron	
	TC: 3/8" Laminated, Clear	
	TD: 3/8" Laminated, Low Iron	
	TE: 3/8" Laminated, Clear, Translucent White	
	TF: 3/8" Laminated, Low Iron, Marker Board	
	TG: 3/8" Laminated, High Performance, Clear	
	TH: 3/8" Laminated, High Performance, Low Iron	
TL: 3/8" Laminated, Clear, Marker Board		
TN: 3/8" Back-to-Back Back-Painted, Low Iron, Turquoise		
TP: 3/8" Back-to-Back Back-Painted, Low Iron, Cherry		
TQ: 3/8" Back-to-Back Back-Painted, Low Iron, Lawn		
TR: 3/8" Back-to-Back Back-Painted, Low Iron, Jet		
TS: 3/8" Back-to-Back Back-Painted, Low Iron, Mandarin		
Paint Color Selection	3-digit painted or anodized finish	See <a href="#">Beyond Frame Finishes</a>

Specification Example: BY-ALHDLEAF.####.QA.P8X

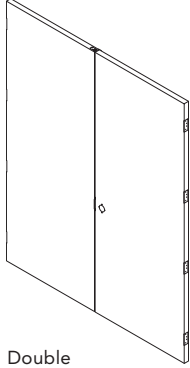
SEISMIC ZONES  
CEILING CONNECTION & FREESTANDING  
PANEL LEVELING  
FRAMELESS  
FRAMED AND SOLID  
DOORS  
CABANA  
VIZ  
NEW, REVISED, AND DISCONTINUED  
APPENDIX

# Hinged Doors

## Beyond® — Solid Hinged Door Leaf & Frame



Single



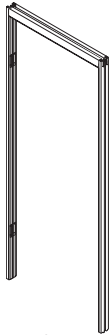
Double

Base Model	Description	Specification
BY-SLDHDLEAF	Solid Hinged Door Leaf	BY-SLDHDLEAF
Configuration ID	Specification Description	
Product	Beyond	
Width	39" - Single Door 75" - Double Door	
Height	86"-120" in 1/4" increments	
Door Type	Hinged	
Door Style	Wood	
Door Module	Single	
	Double ( <b>Note:</b> Order QTY 1 active door and QTY 1 inactive door for double door application)	
Hand	Left Right	
Leaf Type	Will populate if double door is selected Active Inactive	
Handle Type	Lever	
Floor Treatment	Will populate if drop seal is selected Drop Seal	
FSC	FSC Certified Not FSC Certified	FSC X
Finish	See finish options below	
Option	Specification Description	Specification
FSC Option	FSC Certified Standard Wood (Not FSC Certified)	FSC X
Material Grade and Color Option	Veneer - See <a href="#">Beyond Veneer Finishes</a> Laminate - See <a href="#">Beyond Laminate Finishes</a> Painted Wood - See <a href="#">Beyond Painted Wood Finishes</a>	

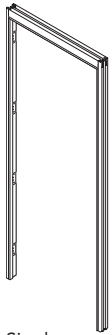
Specification Example: BY-SLDHDLEAF.####.FSC.LWC

# Hinged Doors

## Beyond® — Aluminum/Solid Hinged Door Bottom Seal



Single,  
Frameless Glass



Single,  
Aluminum Framed  
Glass/Solid

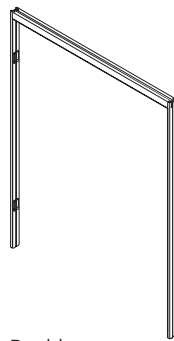
Base Model	Description	Specification
BY-HDFRAME	Hinged Door Frame	BY-HDFRAME

Configuration ID	Specification Description
Product	Beyond
Width	39" - Single Door 75" - Double Door
Height	86"-120" in ¼" increments
Strike Style	Will populate if wood or aluminum framed door is selected Full
Door Type	Hinged
Door Style	Frameless Glass Wood or Aluminum
Door Module	Single Double
Hand	Will populate if wood or aluminum framed door is selected Left Right
Frame Finish	Painted or Anodized Finishes

Option	Specification Description	Specification
Paint Color Selection	3-digit painted or anodized finish	See <a href="#">Beyond Frame Finishes</a>

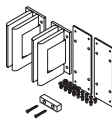
Specification Example: **BY-HDFRAME.####.P8X**



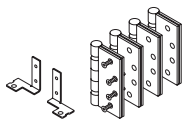
Double,  
Frameless Glass



Double,  
Aluminum Framed  
Glass/Solid



Glass



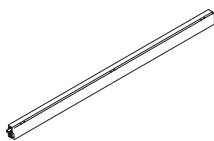
Aluminum Framed  
Glass/Solid

### Hinged Door Mounting Hardware

Base Model	Description	Specification
BY-HINGEDMOUNT	Hinged Door Mounting Hardware	BY-HINGEDMOUNT

Option	Specification Description	Specification
Hinge Configuration	Single	S
Door Module	Double	D
Type/Functionality sub-option	Frameless Glass Aluminum Framed/Wood	FGCLSR AL-WDNCSR
Trim Color	3-digit finish code	See <a href="#">Beyond Hardware Finishes</a>

Specification Example: **BY-HINGEDMOUNT.SAL-WDNCSR.SIL**



Drop Seal

Base Model	Description	Specification
BY-SLDBTMSEAL	Aluminum/Solid Hinged Door Bottom Seal	BY-SLDBTMSEAL

Specification Example: **BY-SLDBTMSEAL**

# Hinged Door Hardware

Beyond® — Doors



12"

Base Model	Description	Specification
BY-PULL12	12" Ladder Pull	BY-PULL12
Option	Specification	Description
Door Material	Frameless Glass	FG
	Aluminum-Framed/Wood	AL-WD
Trim Color	3-digit finish code	See <a href="#">Beyond Hardware Finishes</a>

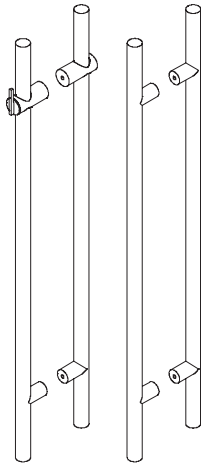
Specification Example: **BY-PULL12.FG.SIL**



20"

Base Model	Description	Specification
BY-PULL20	20" Ladder Pull	BY-PULL20
Option	Specification	Description
Trim Color	3-digit finish code	See <a href="#">Beyond Hardware Finishes</a>

Specification Example: **BY-PULL20.SIL**

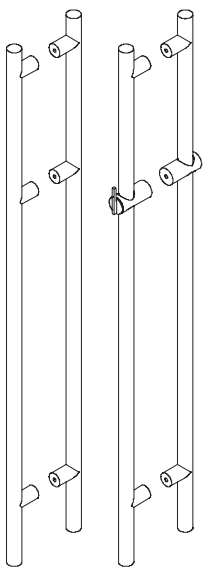


49"  
Passage

49"  
Locking  
with SFIC

Base Model	Description	Specification
BY-PULL49	49" Ladder Pull	BY-PULL49
Option	Specification	Description
Locking Option	Passage	P
	Locking with SFIC	SFIC
Trim Color	3-digit finish code	See <a href="#">Beyond Hardware Finishes</a>

Specification Example: **BY-PULL49.P.SIL**



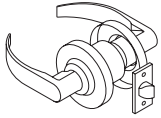
60"  
Passage

60"  
Locking  
with SFIC

Base Model	Description	Specification
BY-PULL60	60" Ladder Pull	BY-PULL60
Option	Specification	Description
Locking Option	Passage	P
	Locking with SFIC	SFIC
Trim Color	3-digit finish code	See <a href="#">Beyond Hardware Finishes</a>

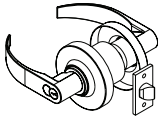
Specification Example: **BY-PULL60.P.SIL**

NEW, REVISED, AND DISCONTINUED  
APPENDIX  
VIZ  
CABANA  
DOORS  
FRAMED AND SOLID  
FRAMELESS  
PANEL LEVELING  
CONNECTION & FREESTANDING  
SEISMIC ZONES  
CEILING



Passage

Base Model	Description	Specification
<b>BY-LEVER</b>	Cylindrical Lockset	BY-LEVER



Locking with SFIC

Option	Specification Description	Specification
<b>Locking Option</b>	Passage <b>P</b>	
	Locking with SFIC	<b>SFIC</b>
<b>Door Material</b>	Frameless Glass	<b>FG</b>
	Aluminum-Framed/Wood	<b>AL-WD</b>
<b>Trim Color</b>	3-digit finish code	See <a href="#">Beyond Hardware Finishes</a>

Specification Example: **BY-LEVER.P.FG.SIL**



Dome

Base Model	Description	Specification
<b>BY-DOMESTOP</b>	Dome Door Stop	BY-DOMESTOP

Option	Specification Description	Specification
<b>Trim Color</b>	3-digit finish code	See <a href="#">Beyond Hardware Finishes</a>

Specification Example: **BY-DOMESTOP.SIL**



Cylindrical

Base Model	Description	Specification
<b>BY-CYLSTOP</b>	Cylindrical Door Stop	BY-CYLSTOP

Option	Specification Description	Specification
<b>Trim Color</b>	3-digit finish code	See <a href="#">Beyond Hardware Finishes</a>

Specification Example: **BY-CYLSTOP.SIL**



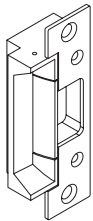
## Custom Door Hardware

- Custom hardware can often be accommodated.
  - Provide as much detail as possible for the Tailored Products Group (TPG) to review. [See Appendix section](#) for contact information.
  - Tailored Products will need to know exact hardware models.
  - They will also need to know specifics of keying requirements if Allsteel is to supply hardware.
  - For card readers, identify what the card reader is to control. Allsteel does not supply card readers.
- Below are some examples of custom hardware that can be reviewed for compatibility. In some cases, if the requested model is not compatible, Allsteel will offer alternatives that can be accommodated.
  - Other manufacturer cylindrical locks
  - Mortise-style locks
  - Electric locks (cylindrical or mortise style)
  - Magnetic locks
  - Electronic strikes
  - Card reader mounting capabilities
  - Mortise-style panic bars
  - External overhead closers/floor closers

### Commonly used custom hardware for Beyond doors include:

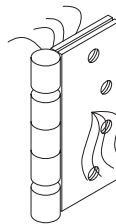
#### Electrified Strike

- Suitable for hinged aluminum framed and solid doors.
- Requires a custom door frame and strike.
- Strike is non-handed.
- All wiring and interface to security system are provided by others.
- Manufactured by HES®.
  - 5000 Series
  - Faceplate 501
  - Must utilize storeroom function lock set to be secure.



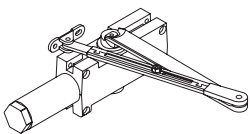
#### Electrified Hinges

- Suitable for hinged aluminum framed and solid doors.
- Use with electric locks.
- Requires custom mounting hardware, door, and door frame.
- 4-wire electrical system. 8-wire system optional.
- All wiring and interface to the security system to be provided by others.
- Manufactured by Ives®.



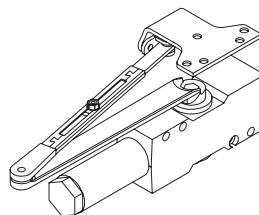
#### LCN® 4011 Closer

- Suitable for hinged aluminum framed and solid doors.
- Requires custom door, door frame, and closer.
- Door, door frame, and closer are handed.
- 100-degree arm and no-hold open
  - 140-degree arm and hold-open feature are additional options.
- Closer mounted to pull side
- Manufactured by LCN®.



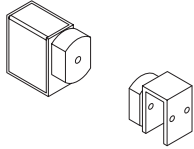
#### LCN® 4040XP Closer

- Suitable for hinged aluminum framed and solid doors.
- Requires custom door, door frame, and closer.
- Closer is non-handed.
- 100-degree arm and no-hold open
  - 140-degree arm and hold-open feature are additional options.
- Closer mounted to push side
- Manufactured by LCN®.



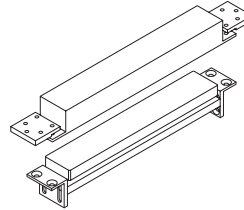
## Magnetic Lock for Sliding Aluminum Framed and Solid Doors

- Requires custom door, door frame, and lock.
- Door, door frame, and lock are handed.
- All wiring and interface to the security system are provided by others.
- Manufactured by Rutherford Controls®.
  - MEM4400



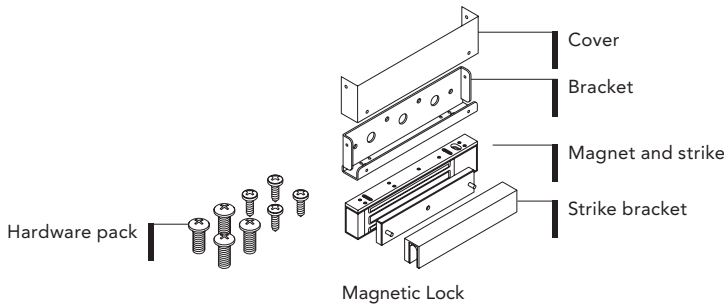
## Magnetic Lock for Hinged Aluminum Framed Doors

- Requires custom door, door frame, and lock.
- Lock is non-handed.
- All wiring and interface to the security system are provided by others.
- Manufactured by Securitron®.
  - Magnalock® model SAM
  - Magnalock® model SAMD with door-position switch

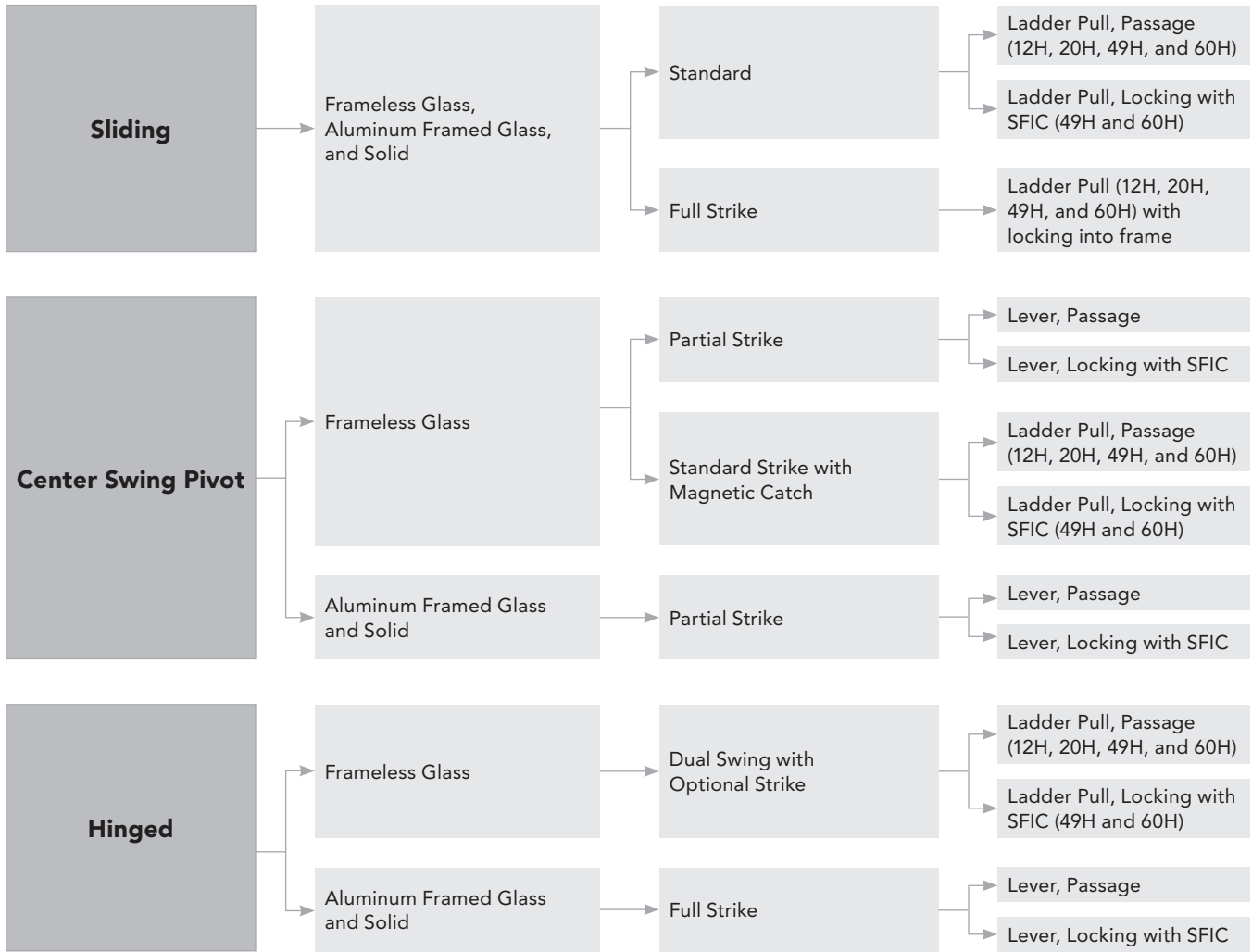


## Magnetic Lock for Hinged Frameless Glass or Center Swing Pivot Frameless Glass Doors

- Requires custom door, door frame, and lock.
- Door frame becomes handed with this magnetic lock.
- Door and lock are non-handed.
- All wiring and interface to the security system are provided by others.
- Manufactured by Securitron®.



Door Hardware Reference Guide



SEISMIC ZONES  
 CEILING CONNECTION & FREESTANDING  
 PANEL LEVELING  
 FRAMELESS  
 FRAMED AND SOLID  
 DOORS  
 VIZ  
 NEW, REVISED, AND DISCONTINUED  
 APPENDIX

## Working with the Beyond Cabana Application

The Beyond Cabana application utilizes Beyond framed wood infill panels for integration of partially private spaces. This new materiality creates a soft, organic aesthetic for a statement piece that can be designed into a solo, team or booth setting.

The Beyond wood infill panels are shipped with wood slats attached to a metal frame, with the Beyond scissor-lift leveling mechanism attached to the bottom of the panel inside a base channel. The Beyond framed wood infill panels utilize a uniform Beyond frame with wood slats infilling the frame instead of glass. The wood infill panels connect to panels and posts utilizing the same specification rules as Beyond framed glass. Beyond framed and solid trim is installed to cover the base channel and create a finished look. These panels can only be specified in a freestanding application and come in set widths and heights. The panels follow the Beyond framed and solid freestanding rules.

Beyond framed wood infill panel dimensions:

- Height options: 96", 102", 108", 114", 120"
- Width options: 24", 30", 36", 42", 48"

Panels can be specified with standard or electrical base heights. Base heights come in the same dimensions as a Beyond framed glass panel. For ported trim in an electrical base, order trim separately for field installation.

### Wood Slat Finish Options



Clear Ash

AH400



Black Opaque

AH402

Frame finish options are the same as Beyond framed glass frame and trim finish options.

## Beyond Framed Wood Infill Panels – Specification Information

Base Model	Description	Specification
ETO-AP-BY-WSLAT96	Beyond Framed Wood Slat Infill Panel - 96"H	ETO-AP-BY-WSLAT96
Option	Specification Description	Specification
Custom Number	Custom Model Number	M516807
Width	24"	2400W
	30"	3000W
	36"	3600W
	42"	4200W
	48"	4800W
Base Style	Standard	S
	Electrical	E
FSC	FSC Certified	FSC
	Not FSC Certified	X
Slat Finish	Clear Ash	AH400
	Black Opaque	AH402
Frame Finish	Anodized, Clear	SAL
	Painted - See <a href="#">Beyond frame finishes</a>	---

Specification Example: ETO-AP-BY-WSLAT96.M516807.2400W.S.FSC.AH400.SAL

Base Model	Description	Specification
ETO-AP-BY-WSLAT102	Beyond Framed Wood Slat Infill Panel - 102"H	ETO-AP-BY-WSLAT102
Option	Specification Description	Specification
Custom Number	Custom Model Number	M516808
Width	24"	2400W
	30"	3000W
	36"	3600W
	42"	4200W
	48"	4800W
Base Style	Standard	S
	Electrical	E
FSC	FSC Certified	FSC
	Not FSC Certified	X
Slat Finish	Clear Ash	AH400
	Black Opaque	AH402
Frame Finish	Anodized, Clear	SAL
	Painted - See <a href="#">Beyond frame finishes</a>	---

Specification Example: ETO-AP-BY-WSLAT102.M516808.2400W.S.FSC.AH400.SAL

Base Model	Description	Specification
ETO-AP-BY-WSLAT108	Beyond Framed Wood Slat Infill Panel - 108"H	ETO-AP-BY-WSLAT108
Option	Specification Description	Specification
Custom Number	Custom Model Number	M516809
Width	24"	2400W
	30"	3000W
	36"	3600W
	42"	4200W
	48"	4800W
Base Style	Standard	S
	Electrical	E
FSC	FSC Certified	FSC
	Not FSC Certified	X
Slat Finish	Clear Ash	AH400
	Black Opaque	AH402
Frame Finish	Anodized, Clear	SAL
	Painted - See <a href="#">Beyond frame finishes</a>	---

Specification Example: ETO-AP-BY-WSLAT108.M516809.2400W.S.FSC.AH400.SAL

SEISMIC ZONES  
CEILING CONNECTION & FREESTANDING  
PANEL LEVELING  
FRAMELESS  
FRAMED AND SOLID  
DOORS  
CABANA  
VIZ  
NEW, REVISED, AND DISCONTINUED  
APPENDIX

Base Model	Description	Specification
ETO-AP-BY-WSLAT114	Beyond Framed Wood Slat Infill Panel - 114"H	ETO-AP-BY-WSLAT114
Option	Specification Description	Specification
Custom Number	Custom Model Number	M516810
Width	24"	2400W
	30"	3000W
	36"	3600W
	42"	4200W
	48"	4800W
Base Style	Standard	S
	Electrical	E
FSC	FSC Certified	FSC
	Not FSC Certified	X
Slat Finish	Clear Ash	AH400
	Black Opaque	AH402
Frame Finish	Anodized, Clear	SAL
	Painted - See <a href="#">Beyond frame finishes</a>	---

Specification Example: ETO-AP-BY-WSLAT114.M516810.2400W.S.FSC.AH400.SAL

Base Model	Description	Specification
ETO-AP-BY-WSLAT120	Beyond Framed Wood Slat Infill Panel - 120"H	ETO-AP-BY-WSLAT120
Option	Specification Description	Specification
Custom Number	Custom Model Number	M516811
Width	24"	2400W
	30"	3000W
	36"	3600W
	42"	4200W
	48"	4800W
Base Style	Standard	S
	Electrical	E
FSC	FSC Certified	FSC
	Not FSC Certified	X
Slat Finish	Clear Ash	AH400
	Black Opaque	AH402
Frame Finish	Anodized, Clear	SAL
	Painted - See <a href="#">Beyond frame finishes</a>	---

Specification Example: ETO-AP-BY-WSLAT120.M516811.2400W.S.FSC.AH400.SAL

SEISMIC ZONES  
 CEILING CONNECTION & FREESTANDING  
 PANEL LEVELING  
 FRAMELESS  
 FRAMED AND SOLID  
 DOORS  
 CABANA  
 VIZ  
 NEW, REVISED, AND DISCONTINUED  
 APPENDIX

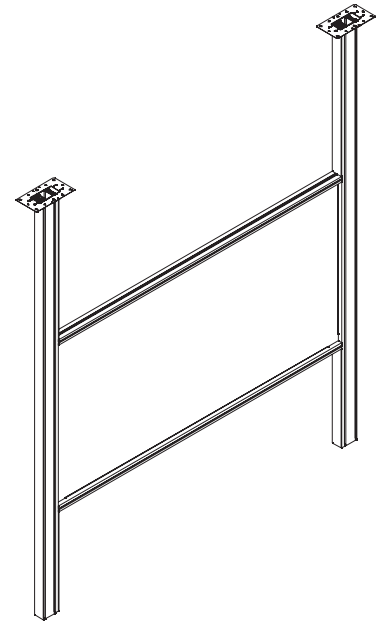
## Working with Beyond Viz

Beyond Viz is a marker board screening application that allows users to reclaim vertical real estate for collaborative use by creating visual persistence and zones for teams. These marker board screens come in a variety of sizes with a new post option for incorporating modular electrical.

- Viz Marker Board Module
  - Order marker board and marker board trim in the following dimensions (nominal dimension of the marker board):
    - Width options: 48", 54", 60", 66", 72", 78", 84", 90", 96", 102", 108", 114", 120"
    - Height options: 48", 54", 60"
  - Glass Finish: 1/4" Low-Iron, Magnetic, White Marker Board
  - Trim: All Beyond trim finishes

All Beyond Viz marker board screens must be connected to a post on both sides utilizing Beyond zippers. Posts must be anchored to the floor and ceiling. Brackets attach to posts which are then anchored into place. If under ceiling grid, posts must be anchored above the grid which may involve cutting through ceiling tiles. Multiple Viz screens can be connected together using zippers that connect the screens to posts. Inline, two-way and three-way connections are possible. Note that there are options for post bracketry that coordinate with the post type and installation scenario. Utilize QTY (2) zippers for each connection point to connect Viz trim to post. All trim and posts utilize standard Beyond trim finishes.

- Posts
  - Utilize standard Beyond posts with access trim for inline, two-way, or three-way connections
  - A new inline post option is available for hardwired electrical. Post comes with an option to incorporate hardwired electrical with a port for a receptacle at 18" AFF on one face with a removable faceplate on the opposite side of the post.
  - A new inline post option is available for modular electrical. Post comes with a port for a receptacle at 18" AFF on one face and removable faceplate on the opposite side of post.
    - Utilizes 4-wire, 2-circuit electrical (note: this is also known as the Beyond Frameless modular electrical system)
    - Duplex receptacle should be specified at 18" AFF
      - Circuit 1 or 2
      - Standard 2-circuit duplex finishes
      - Ceiling infeed connection only
  - Mounting Brackets
    - Specify QTY (1) mounting bracket per post. Bracket model contains brackets for the floor and ceiling for (1) post.
    - For an inline post, there are two types of mounting brackets – a flat bracket model and a u-channel bracket model. These model descriptions describe the bracket installed at the top of the post, but note that each model comes with brackets for the top and bottom of the post. The flat bracket model contains (1) flat bracket for the ceiling and (1) u-channel bracket for the floor. The u-channel bracket model contains (2) u-channel brackets for use at the ceiling and floor.
    - For a two-way or three-way post, specify an L and T bracket model. This model contains (1) L/T plate that installs at the top of the post and (1) u-channel bracket that installs at the bottom of the post.
  - Zippers
    - Utilize standard Beyond zippers to connect posts to Viz screens
    - QTY (2) zippers required to connect Viz trim to (1) post



- Finished Ends
  - Posts that do not connect to a Viz marker board screen on both sides must be specified with a finished end.
  - Two options for finished ends
    - Uniform finished end – current standard model
    - Narrow finished end – new model
- To add finished ends to posts with stackers:
  - When using the uniform finished end, specify QTY (1) finished end for the full height post and QTY (1) stacking finished end for the stacking post. Both the full height and stacking finished end models are standard Beyond models.
  - For the narrow finished end, specify (2) narrow finished ends. One finished end will be utilized on the full height post and the other finished end will be cut to size in the field to fit on the stacking post.
- Stacking Posts
  - To bring marker board modules to heights above 10ft, utilize stacking posts. Stacking posts are standard Beyond models that range from 2ft to 4ft, allowing Viz modules to grow to 14 ft overall.
  - Inline, two-way and three-way stacking posts with access trim are possible
  - Stacking posts must be connected to posts via splice kits
  - Specify QTY (1) splice kit per stacking post
  - Viz stacking trim must be specified (ETO-AP-BY-VIZSTRIM) to finish off the Viz module when stacking posts are specified. Stacking trim comes in 10ft lengths. QTY (1) can be utilized for (1) marker board module. Trim can be cut to size in the field and installed on both sides of the inside of the Viz module to finish the stacking posts.



## Beyond® Viz™ Pre-Specification Guide



### Today's Challenges - Flexible Functionality

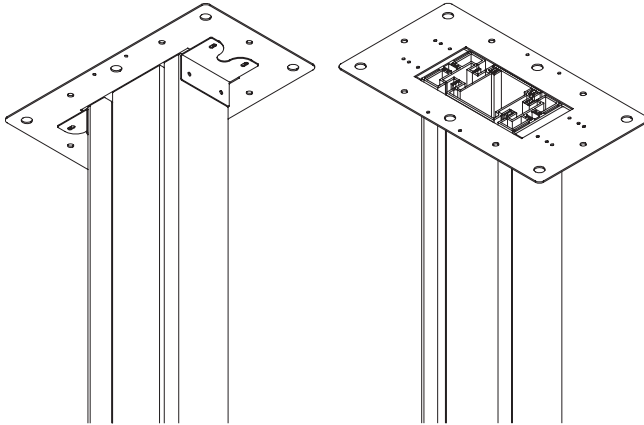
The simple, efficient functionality of Beyond® Viz™ offers built-in flexibility that responds to the constant rhythm of business change. With a large selection of aesthetic choices, you can move beyond permanent drywall solutions and rigid space planning to create flexible workspaces that are ready to reconfigure and walls that are easy to relocate for whatever change the future brings.

## Bracketry: Inline Posts

### Top Connection

#### Flat Bracket

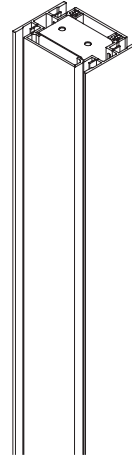
The flat bracket can encompass post or sit flush with top of inline post. Two L-shaped brackets attach to the flat bracket to connect the bracket to the inline post and can rest above or below the flat bracket. Bracket works with inline posts and with uniform and low profile finished ends.



Flat Bracket

#### U-Channel Bracket

The u-channel bracket can be used at the ceiling connection. U-channel bracket slides into the top of the post, is secured in place, and sits 1/16" proud of the top of the inline post to allow for installation.

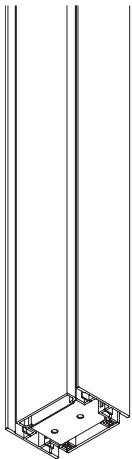


U-Channel Bracket

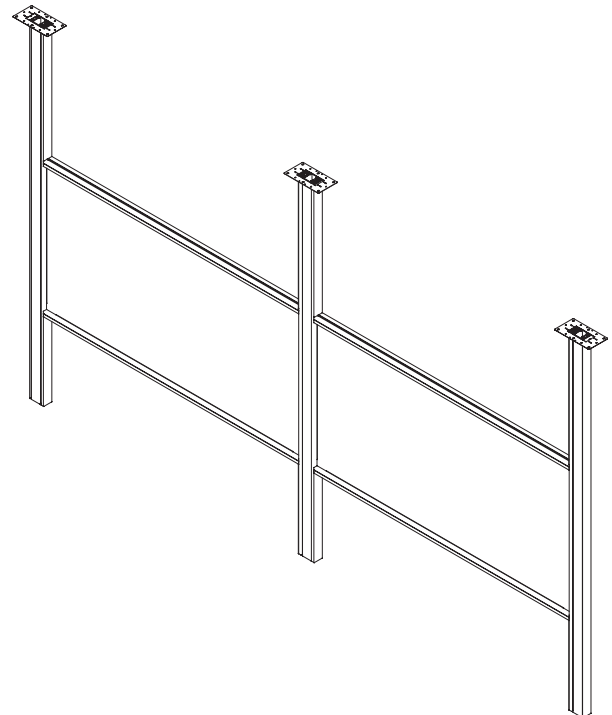
### Bottom Connection

#### U-Channel Bracket

The u-channel bracket must always be used at the floor connection. U-channel bracket slides into the bottom of the inline post, is secured in place, and sits 1/16" proud of the bottom of the inline post.



U-Channel Bracket

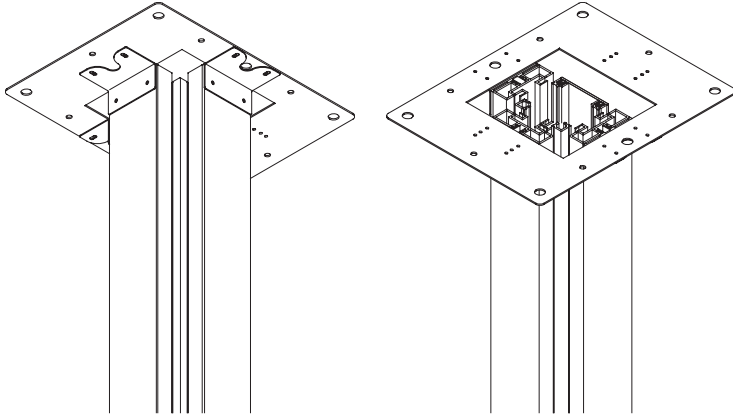


## Bracketry: Two- & Three-Way Posts

### Top Connection

#### Flat Bracket

The flat bracket for an L,T connection can encompass posts or sit flush with top of post. Two L-shaped brackets attach to the flat bracket to connect the bracket to the two-way or three-way post and can rest above or below the flat bracket. Bracket works with uniform and low profile finished ends.

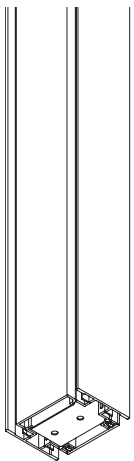


Three-Way Post

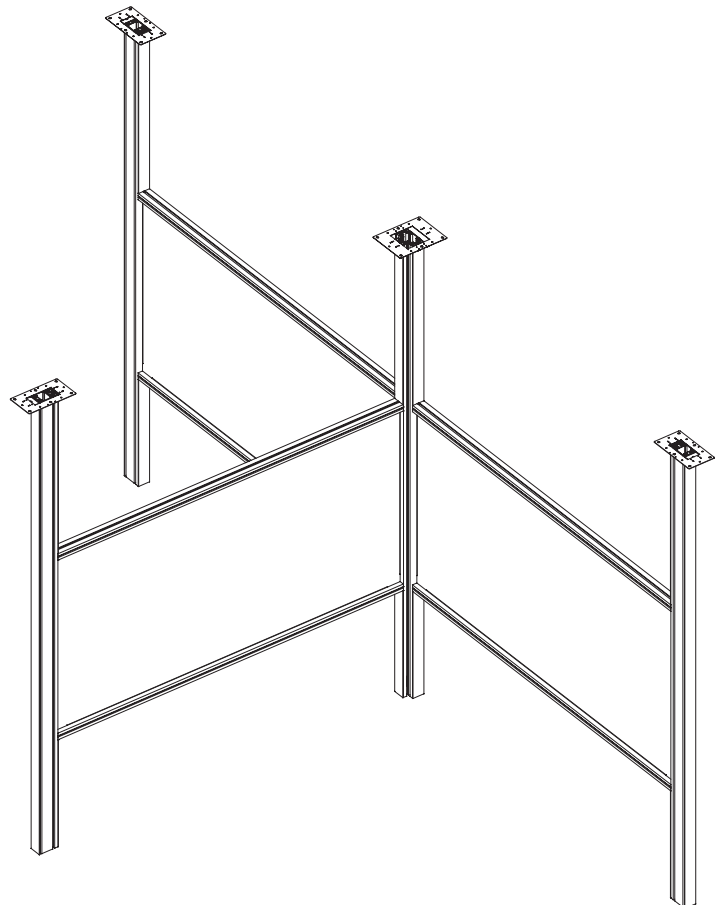
### Bottom Connection

#### U-Channel Bracket

The u-channel bracket must always be used at the floor connection. U-channel bracket slides into the bottom of the post, is secured in place, and sits 1/16" proud of the bottom of the post.



U-Channel Bracket

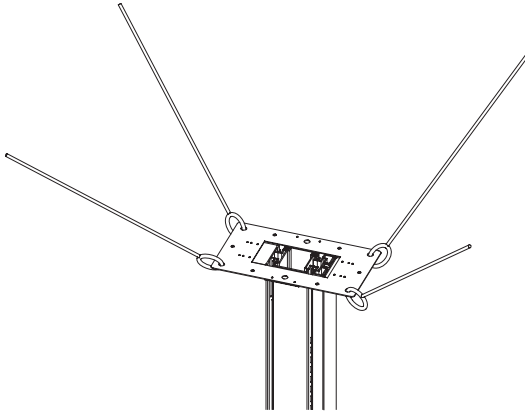


## Attachment Methods & Materials

The project architect is ultimately responsible for code compliance to International Building Code and other code requirements. Viz posts must be anchored to the floor and ceiling. When utilizing u-channel brackets into a soffit, blocking is required.

### Top Connection

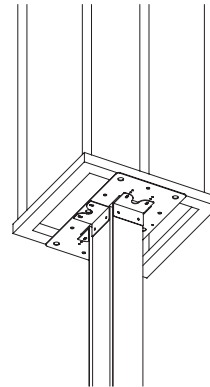
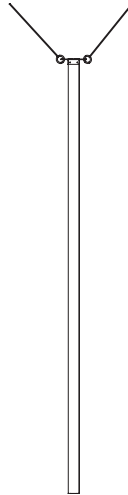
#### Flat Bracket



#### Attaching splay wire to ceiling bracket

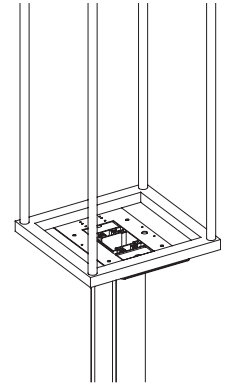
Splay wire can attach to bracket holes. A minimum of (4) wires required per bracket. 3/32" diameter aircraft cable 7x19 strand core recommended. Attach to eyebolt with medium duty wire rope thimble.

Post can also be attached to deck using kickers.

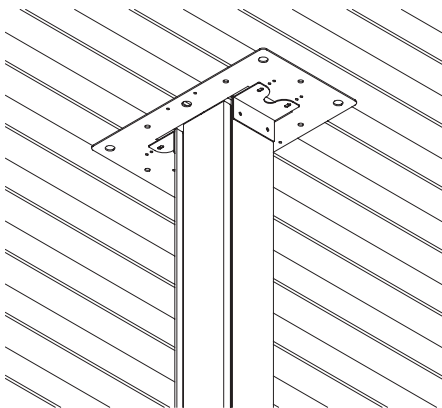


#### Building trapeze around obstruction to ceiling bracket

Unistrut material can be attached to Viz flat bracket to work around an overhead obstruction.



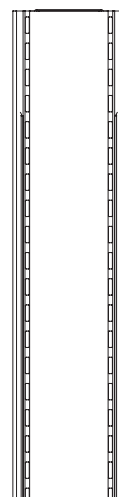
#### Flat Bracket



#### Attaching bracket directly to building structure

Bracket can attach directly to building structure – to the ceiling deck or to an alternative structure.

#### U-Channel Bracket



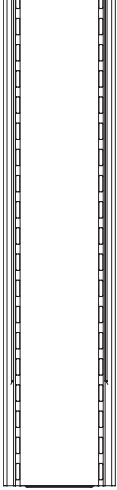
#### Attaching u-channel bracket to building structure/soffit

Blocking is required when utilizing u-channel bracket under soffit. A minimum of 1/2" (0.5") is needed on either side of each screw. Bracket sits 1/16" proud of the post.

## Attachment Methods & Materials

### Bottom Connection

#### U-Channel Bracket



#### Attaching u-channel bracket to floor

The u-channel bracket must be anchored into the floor. Bracket sits  $\frac{1}{16}$ " proud of the post.

## Beyond Viz – Specification Information

Base Model	Description	Specification
ETO-AP-BY-VIZMBGL48	Viz Marker Board Glass, 48"H	ETO-AP-BY-VIZMBGL48

Option	Specification Description	Specification
Custom Number	Custom Model Number	M516901
Width	48"	04800W
	54"	05400W
	60"	06000W
	66"	06600W
	72"	07200W
	78"	07800W
	84"	08400W
	90"	09000W
	96"	09600W
	102"	10200W
	108"	10800W
	114"	11400W
	120"	12000W

Specification Example: ETO-AP-BY-VIZMBGL48.M516901.04800W

Base Model	Description	Specification
ETO-AP-BY-VIZMBGL54	Viz Marker Board Glass, 54"H	ETO-AP-BY-VIZMBGL54

Option	Specification Description	Specification
Custom Number	Custom Model Number	M516902
Width	48"	04800W
	54"	05400W
	60"	06000W
	66"	06600W
	72"	07200W
	78"	07800W
	84"	08400W
	90"	09000W
	96"	09600W
	102"	10200W
	108"	10800W
	114"	11400W
	120"	12000W

Specification Example: ETO-AP-BY-VIZMBGL54.M516902.04800W

Base Model	Description	Specification
ETO-AP-BY-VIZMBGL60	Viz Marker Board Glass, 60"H	ETO-AP-BY-VIZMBGL60

Option	Specification Description	Specification
Custom Number	Custom Model Number	M516903
Width	48"	04800W
	54"	05400W
	60"	06000W
	66"	06600W
	72"	07200W
	78"	07800W
	84"	08400W
	90"	09000W
	96"	09600W
	102"	10200W
	108"	10800W
	114"	11400W
	120"	12000W

Specification Example: ETO-AP-BY-VIZMBGL60.M516903.04800W

Base Model	Description	Specification
ETO-AP-BY-VIZTRIM48	Viz Marker Board Frame and Trim, 48"H	ETO-AP-BY-VIZTRIM48

Option	Specification Description	Specification
Custom Number	Custom Model Number	M516904
Width	48"	04800W
	54"	05400W
	60"	06000W
	66"	06600W
	72"	07200W
	78"	07800W
	84"	08400W
	90"	09000W
	96"	09600W
	102"	10200W
	108"	10800W
	114"	11400W
	120"	12000W
Trim Finish	Anodized, Clear	SAL
	Painted - See <a href="#">Beyond frame finishes</a>	---

Specification Example: ETO-AP-BY-VIZTRIM48.M516904.04800W.SAL

SEISMIC ZONES  
CEILING CONNECTION & FREESTANDING  
PANEL LEVELING  
FRAMELESS  
FRAMED AND SOLID  
DOORS  
CABANA  
VIZ  
NEW, REVISED, AND DISCONTINUED  
APPENDIX

Base Model	Description	Specification
ETO-AP-BY-VIZTRIM54	Viz Marker Board Frame and Trim, 54"H	ETO-AP-BY-VIZTRIM54
Option	Specification Description	Specification
Custom Number	Custom Model Number	M516905
Width	48"	04800W
	54"	05400W
	60"	06000W
	66"	06600W
	72"	07200W
	78"	07800W
	84"	08400W
	90"	09000W
	96"	09600W
	102"	10200W
	108"	10800W
	114"	11400W
Trim Finish	Anodized, Clear	SAL
	Painted - See <a href="#">Beyond frame finishes</a>	---

Specification Example: ETO-AP-BY-VIZTRIM54.M516905.04800W.SAL

Base Model	Description	Specification
ETO-AP-BY-VIZTRIM60	Viz Marker Board Frame and Trim, 60"H	ETO-AP-BY-VIZTRIM60
Option	Specification Description	Specification
Custom Number	Custom Model Number	M516906
Width	48"	04800W
	54"	05400W
	60"	06000W
	66"	06600W
	72"	07200W
	78"	07800W
	84"	08400W
	90"	09000W
	96"	09600W
	102"	10200W
	108"	10800W
	114"	11400W
Trim Finish	Anodized, Clear	SAL
	Painted - See <a href="#">Beyond frame finishes</a>	---

Specification Example: ETO-AP-BY-VIZTRIM60.M516906.04800W.SAL



Base Model	Description	Specification
ETO-AP-BY-VIZEPOST	Beyond Viz Access Post, Mod Electrical, 18" AFF	ETO-AP-BY-VIZEPOST

Option	Specification Description	Specification
Custom Number	Custom Model Number	M516907
Trim Finish	Anodized, Clear	SAL
	Painted - See <a href="#">Beyond frame finishes</a>	---

Specification Example: ETO-AP-BY-VIZEPOST.M516907.SAL

Base Model	Description	Specification
ETO-AP-BY-VIZEHPOST	Beyond Viz Access Post, HW Electrical, 18" AFF	ETO-AP-BY-VIZEHPOST

Option	Specification Description	Specification
Custom Number	Custom Model Number	M516914
Trim Finish	Anodized, Clear	SAL
	Painted - See <a href="#">Beyond frame finishes</a>	---

Specification Example: ETO-AP-BY-VIZEHPOST.M516914.SAL

Base Model	Description	Specification
ETO-AP-BY-VIZFMOUNT	Beyond Viz Floor/Ceiling Flat Mounting Brackets	ETO-AP-BY-VIZFMOUNT

Option	Specification Description	Specification
Custom Number	Custom Model Number	M516908
Trim Finish	Anodized, Clear	SAL
	Painted - See <a href="#">Beyond frame finishes</a>	---

Specification Example: ETO-AP-BY-VIZFMOUNT.M516908.SAL

Base Model	Description	Specification
ETO-AP-BY-VIZUMOUNT	Beyond Viz Floor/Ceiling U-Channel Mounting Brackets	ETO-AP-BY-VIZUMOUNT

Option	Specification Description	Specification
Custom Number	Custom Model Number	M516909
Trim Finish	Anodized, Clear	SAL
	Painted - See <a href="#">Beyond frame finishes</a>	---

Specification Example: ETO-AP-BY-VIZUMOUNT.M516909.SAL

Base Model	Description	Specification
ETO-AP-BY-VIZCMOUNT	Beyond Viz Floor/Ceiling Two-Way "L" and Three-Way "T" Post Mounting Brackets	ETO-AP-BY-VIZCMOUNT

Option	Specification Description	Specification
Custom Number	Custom Model Number	M516913
Trim Finish	Anodized, Clear	SAL
	Painted - See <a href="#">Beyond frame finishes</a>	---

Specification Example: ETO-AP-BY-VIZCMOUNT.M516913.SAL

Base Model	Description	Specification
ETO-AP-BY-VIZNEND	Beyond Viz Narrow Finished End	ETO-AP-BY-VIZNEND
Option	Specification Description	Specification
Custom Number	Custom Model Number	M516910
Height	120"	12000H
Trim Finish	Anodized, Clear	SAL
	Painted - See <a href="#">Beyond frame finishes</a>	---

Specification Example: ETO-AP-BY-VIZNEND.M516910.SAL

Base Model	Description	Specification
ETO-AP-BY-VIZSPLICE	Beyond Viz Post Splice Kit	ETO-AP-BY-VIZSPLICE
Option	Specification Description	Specification
Custom Number	Custom Model Number	M516911

Specification Example: ETO-AP-BY-VIZSPLICE.M516911

Base Model	Description	Specification
ETO-AP-BY-VIZSTRIM	Beyond Viz Stacking Post Trim	ETO-AP-BY-VIZSTRIM
Option	Specification Description	Specification
Custom Number	Custom Model Number	M516912
Trim Finish	Anodized, Clear	SAL
	Painted - See <a href="#">Beyond frame finishes</a>	---

Specification Example: ETO-AP-BY-VIZSTRIM.M516912.SAL

MODEL REFERENCE GUIDE

OLD BASE MODEL	OLD DESCRIPTION	NEW BASE MODEL	NEW DESCRIPTION
BFG-AE4-DD1	Beyond Duplex Receptacle - Circuit 1	BY-FG4DUPLEX	Duplex, 4-Wire
BFG-AE4-DD2	Beyond Duplex Receptacle - Circuit 2	BY-FG4DUPLEX	Duplex, 4-Wire
BFG-AE4-DJ0S	Beyond Power Jumper	BY-FG4JUMPER	Jumper, 4-wire
BFG-AE4-DJ102S	102" Power Jumper	BY-FG4JUMPER	Jumper, 4-wire
BFG-AE4-DJ108S	108" Power Jumper	BY-FG4JUMPER	Jumper, 4-wire
BFG-AE4-DJ114S	114" Power Jumper	BY-FG4JUMPER	Jumper, 4-wire
BFG-AE4-DJ120S	120" Power Jumper	BY-FG4JUMPER	Jumper, 4-wire
BFG-AE4-DJ126S	126" Power Jumper	BY-FG4JUMPER	Jumper, 4-wire
BFG-AE4-DJ12S	12" Power Jumper	BY-FG4JUMPER	Jumper, 4-wire
BFG-AE4-DJ132S	132" Power Jumper	BY-FG4JUMPER	Jumper, 4-wire
BFG-AE4-DJ138S	138" Power Jumper	BY-FG4JUMPER	Jumper, 4-wire
BFG-AE4-DJ144S	144" Power Jumper	BY-FG4JUMPER	Jumper, 4-wire
BFG-AE4-DJ18S	18" Power Jumper	BY-FG4JUMPER	Jumper, 4-wire
BFG-AE4-DJ24S	24" Power Jumper	BY-FG4JUMPER	Jumper, 4-wire
BFG-AE4-DJ30S	32" Power Jumper	BY-FG4JUMPER	Jumper, 4-wire
BFG-AE4-DJ36S	36" Power Jumper	BY-FG4JUMPER	Jumper, 4-wire
BFG-AE4-DJ42S	42" Power Jumper	BY-FG4JUMPER	Jumper, 4-wire
BFG-AE4-DJ48S	48" Power Jumper	BY-FG4JUMPER	Jumper, 4-wire
BFG-AE4-DJ54S	54" Power Jumper	BY-FG4JUMPER	Jumper, 4-wire
BFG-AE4-DJ60S	60" Power Jumper	BY-FG4JUMPER	Jumper, 4-wire
BFG-AE4-DJ66S	66" Power Jumper	BY-FG4JUMPER	Jumper, 4-wire
BFG-AE4-DJ6S	6" Power Jumper	BY-FG4JUMPER	Jumper, 4-wire
BFG-AE4-DJ72S	72" Power Jumper	BY-FG4JUMPER	Jumper, 4-wire
BFG-AE4-DJ78S	78" Power Jumper	BY-FG4JUMPER	Jumper, 4-wire
BFG-AE4-DJ84S	84" Power Jumper	BY-FG4JUMPER	Jumper, 4-wire
BFG-AE4-DJ90S	90" Power Jumper	BY-FG4JUMPER	Jumper, 4-wire
BFG-AE4-DJ96S	96" Power Jumper	BY-FG4JUMPER	Jumper, 4-wire
BFG-AE4-HCONN	Beyond H-Connector	BY-FG4HCONN	H-Connector, 4-Wire
BFG-AE4-MM36S	Beyond Male-to-Male Conversion Jumper 36"	BY-FG4MMJUMPER	Male-to-Male Jumper, 4-Wire
BFG-AE4-PE144	144" Flexible Conduit	BY-FG4INFEED	In-Feed, 4-Wire
BFG-AE4-PE216	216" Flexible Conduit	BY-FG4INFEED	In-Feed, 4-Wire
BFG-AE4-PE300	300" Flexible Conduit	BY-FG4INFEED	In-Feed, 4-Wire
BFG-AE4-PE72	72" Flexible Conduit	BY-FG4INFEED	In-Feed, 4-Wire
BFGBDF	Flat Button - Double Sided	BY-FGBUTTON	Privacy Tile Button
BFGBNF	Flat Button - Distraction Marker	BY-FGBUTTON	Privacy Tile Button
BFGBSF	Flat Button - Single Sided	BY-FGBUTTON	Privacy Tile Button
BFGCK050	Beyond Corner Keys-50 Pack	BY-FGTKEYS	Frameless Trim Keys
BFGCK250	Beyond Corner Keys-250 Pack	BY-FGTKEYS	Frameless Trim Keys
BFGDFFAF	Beyond Frm Door Frame-Frameless Adapter Full Ht	BY-FGADAPTER	Frameless-to-Solid/Door Adapter
BFGFAE	Floor Anchor - Finished Ends	BY-FGANCHOR	Frameless Seismic Anchor
BFGFAL	Floor Anchor - 2-Way	BY-FGANCHOR	Frameless Seismic Anchor
BFGFAS	Floor Anchor - Straight	BY-FGANCHOR	Frameless Seismic Anchor

SEISMIC ZONES  
 CEILING CONNECTION & FREESTANDING  
 PANEL LEVELING  
 FRAMELESS  
 FRAMED AND SOLID  
 DOORS  
 CABANA  
 VIZ  
 NEW, REVISED, AND DISCONTINUED  
 APPENDIX

MODEL REFERENCE GUIDE

OLD BASE MODEL	OLD DESCRIPTION	NEW BASE MODEL	NEW DESCRIPTION
BFGHK	Beyond Hard Surface Installation Kit	BY-HSKIT	Hard Surface Installation Kit
BFGLBTN	Base Trim, Low Profile - Inside Corner	BY-FGLBTRIM	Low Profile Base Trim
BFGLBTS	Base Trim, Low Profile - Straight	BY-FGLBTRIM	Low Profile Base Trim
BFGLBTU	Base Trim, Low Profile - Outside Corner	BY-FGLBTRIM	Low Profile Base Trim
BFGNK	Beyond Installation Kit	BY-KIT	Installation Kit
BFGPN08086	Frameless Glass 08W 086H	BY-FRMLSTPANEL / BY-FRMLSLPANEL	Frameless Glass Panel, Tempered / Frameless Glass Panel, Laminated
BFGPP40086	Frameless Perforated 40W 086H	BY-FRMLSTPANEL	Frameless Glass Panel, Tempered
BFGPTFAF	Post-Frameless Adapter Full Ht	BY-FGADAPTER	Frameless-to-Solid/Door Adapter
BFGPTSG2408	Privacy Tile Shelf - Glass 24W 8D	BY-FGRSHELF	Rail-Mounted Glass Shelf
BFGPTSG4008	Privacy Tile Shelf - Glass 40W 8D	BY-FGRSHELF	Rail-Mounted Glass Shelf
BFGPTSG4208	Privacy Tile Shelf - Glass 42W 8D	BY-FGRSHELF	Rail-Mounted Glass Shelf
BFGPTSG4808	Privacy Tile Shelf - Glass 48W 8D	BY-FGRSHELF	Rail-Mounted Glass Shelf
BFGPTTVK	TV Mounting Plate and Grommet	BY-FGTVPLATE	TV Plate and Grommet
BFGSBTEA048	Base Trim Square - Electrical/Data Anodized 48W	BY-FGEBTRIM	Electrical Base Trim
BFGSBTEP048	Base Trim Square - Electrical/Data Painted 48W	BY-FGEBTRIM	Electrical Base Trim
BFGSBTNA024	Base Trim Square - Inside Corner Anodized 24W	BY-FGSBTRIM	Standard Base Trim
BFGSBTNA096	Base Trim Square - Inside Corner Anodized 96W	BY-FGSBTRIM	Standard Base Trim
BFGSBTNP024	Base Trim Square - Inside Corner Painted 24W	BY-FGSBTRIM	Standard Base Trim
BFGSBTNP096	Base Trim Square - Inside Corner Painted 96W	BY-FGSBTRIM	Standard Base Trim
BFGSBTSA120	Base Trim Square - Straight Anodized 120W	BY-FGSBTRIM	Standard Base Trim
BFGSBTSP120	Base Trim Square - Straight Painted 120W	BY-FGSBTRIM	Standard Base Trim
BFGSBTUA024	Base Trim Square - Outside Corner Anodized 24W	BY-FGSBTRIM	Standard Base Trim
BFGSBTUA096	Base Trim Square - Outside Corner Anodized 96W	BY-FGSBTRIM	Standard Base Trim
BFGSBTUP024	Base Trim Square - Outside Corner Painted 24W	BY-FGSBTRIM	Standard Base Trim
BFGSBTUP096	Base Trim Square - Outside Corner Painted 96W	BY-FGSBTRIM	Standard Base Trim
BFGSCTNA024	Ceiling Trim Square - Inside Corner Anodized 24W	BY-FGCTRIM	Ceiling Trim
BFGSCTNA096	Ceiling Trim Square - Inside Corner Anodized 96W	BY-FGCTRIM	Ceiling Trim
BFGSCTNP024	Ceiling Trim Square - Inside Corner Painted 24W	BY-FGCTRIM	Ceiling Trim
BFGSCTNP096	Ceiling Trim Square - Inside Corner Painted 96W	BY-FGCTRIM	Ceiling Trim
BFGSCTSA120	Ceiling Trim Square - Straight Anodized 120W	BY-FGCTRIM	Ceiling Trim
BFGSCTSP120	Ceiling Trim Square - Straight Painted 120W	BY-FGCTRIM	Ceiling Trim
BFGSCTUA024	Ceiling Trim Square - Outside Corner Anodized 24W	BY-FGCTRIM	Ceiling Trim
BFGSCTUA096	Ceiling Trim Square - Outside Corner Anodized 96W	BY-FGCTRIM	Ceiling Trim
BFGSCTUP024	Ceiling Trim Square - Outside Corner Painted 24W	BY-FGCTRIM	Ceiling Trim
BFGSCTUP096	Ceiling Trim Square - Outside Corner Painted 96W	BY-FGCTRIM	Ceiling Trim
BFGSK050	Straight Keys - 50 pack	BY-FGTKEYS	Frameless Trim Keys
BFGSK250	Straight Keys - 250 pack	BY-FGTKEYS	Frameless Trim Keys
BFGTAL	Top Anchor - 2-Way	BY-FGANCHOR	Frameless Seismic Anchor
BFGTAS	Top Anchor - Straight	BY-FGANCHOR	Frameless Seismic Anchor

MODEL REFERENCE GUIDE

OLD BASE MODEL	OLD DESCRIPTION	NEW BASE MODEL	NEW DESCRIPTION
BFGURFE	Bynd Frmlss End of Run Finished End	BY-FGEND	Frameless Glass Finished End
BFGUWCFA###	Wall Channel - Fixed Anodized ###H	BY-FGWCHANNEL	Wall Channel
BFGUWCFP###	Wall Channel - Fixed Painted ###H	BY-FGWCHANNEL	Wall Channel
BFGVFL###	Vertical Filler 2-Way ###H	BY-FGFILLER	Vertical Filler
BFGVFS###	Vertical Filler Straight ###H	BY-FGFILLER	Vertical Filler
BFGVFT###	Vertical Filler 3-Way ###H	BY-FGFILLER	Vertical Filler
BFGVFX###	Vertical Filler 4-Way ###H	BY-FGFILLER	Vertical Filler
BFGVfy###	Vertical Filler 135 Degree ###H	BY-FGFILLER	Vertical Filler
BFGVHB	Beyond VHB Tape - 70' Roll	BY-VHB	VHB Tape = 70' Roll
BFGWSHVR	Glass Window Sill U Channel	BY-FGSILLTRIM	Frameless Window Sill U-Channel
BFGWSDVV80048	Wall Tile Set Double Vertical-Veneer 80W 48H	BY-FGTILEVSETF	Rail-Mounted Natural Veneer Privacy Set, Floating or Base
BFGWSDVV84048	Wall Tile Set Double Vertical-Veneer 84W 48H	BY-FGTILEVSETF	Rail-Mounted Natural Veneer Privacy Set, Floating or Base
BFGWSDVV96048	Wall Tile Set Double Vertical-Veneer 96W 48H	BY-FGTILEVSETF	Rail-Mounted Natural Veneer Privacy Set, Floating or Base
BFGWSFVV80048	Wall Tile Set Full Ht Vertical-Veneer 80W 48H	BY-FGTILEVSETF	Rail-Mounted Natural Veneer Privacy Set, Floating or Base
BFGWSFVV80072	Wall Tile Set Full Ht Vertical-Veneer 80W 72H	BY-FGTILEVSETF	Rail-Mounted Natural Veneer Privacy Set, Floating or Base
BFGWSFVV84048	Wall Tile Set Full Ht Vertical-Veneer 84W 48H	BY-FGTILEVSETF	Rail-Mounted Natural Veneer Privacy Set, Floating or Base
BFGWSFVV84072	Wall Tile Set Full Ht Vertical-Veneer 84W 72H	BY-FGTILEVSETF	Rail-Mounted Natural Veneer Privacy Set, Floating or Base
BFGWSFVV96048	Wall Tile Set Full Ht Vertical-Veneer 96W 48H	BY-FGTILEVSETF	Rail-Mounted Natural Veneer Privacy Set, Floating or Base
BFGWSFVV96072	Wall Tile Set Full Ht Vertical-Veneer 96W 72H	BY-FGTILEVSETF	Rail-Mounted Natural Veneer Privacy Set, Floating or Base
BFGWSHVV80037	Wall Tile Set Half Ht Mod Vert-Veneer 80W 37H	BY-FGTILEVSETM	Rail-Mounted Natural Veneer Privacy Set with Modesty
BFGWSHVV80061	Wall Tile Set Half Ht Mod Vert-Veneer 80W 61H	BY-FGTILEVSETM	Rail-Mounted Natural Veneer Privacy Set with Modesty
BFGWSHVV84037	Wall Tile Set Half Ht Mod Vert-Veneer 84W 37H	BY-FGTILEVSETM	Rail-Mounted Natural Veneer Privacy Set with Modesty

SEISMIC ZONES  
 CEILING CONNECTION & FREESTANDING  
 PANEL LEVELING  
 FRAMELESS  
 FRAMED AND SOLID  
 DOORS  
 CABANA  
 VIZ  
 NEW, REVISED, AND DISCONTINUED  
 APPENDIX

MODEL REFERENCE GUIDE

OLD BASE MODEL	OLD DESCRIPTION	NEW BASE MODEL	NEW DESCRIPTION
BFGWSHV84061	Wall Tile Set Half Ht Mod Vert-Veneer 84W 61H	BY-FGTILEVSETM	Rail-Mounted Natural Veneer Privacy Set with Modesty
BFGWSHV96037	Wall Tile Set Half Ht Mod Vert-Veneer 96W 37H	BY-FGTILEVSETM	Rail-Mounted Natural Veneer Privacy Set with Modesty
BFGWSHV96061	Wall Tile Set Half Ht Mod Vert-Veneer 96W 61H	BY-FGTILEVSETM	Rail-Mounted Natural Veneer Privacy Set with Modesty
BFGWSMV80013	Wall Tile Set Half Ht Mod Vert-Veneer 80W 13H	BY-FGTILEVSETM	Rail-Mounted Natural Veneer Privacy Set with Modesty
BFGWSMV84013	Wall Tile Set Half Ht Mod Vert-Veneer 84W 13H	BY-FGTILEVSETM	Rail-Mounted Natural Veneer Privacy Set with Modesty
BFGWSMV96013	Wall Tile Set Half Ht Mod Vert-Veneer96W 13H	BY-FGTILEVSETM	Rail-Mounted Natural Veneer Privacy Set with Modesty
BFGWSSV80024	Wall Tile Set Single Vertical-Veneer 80W 24H	BY-FGTILEVSETF	Rail-Mounted Natural Veneer Privacy Set, Floating
BFGWSSV84024	Wall Tile Set Single Vertical-Veneer 84W 24H	BY-FGTILEVSETF	Rail-Mounted Natural Veneer Privacy Set, Floating
BFGWSSV96024	Wall Tile Set Single Vertical-Veneer 96W 24H	BY-FGTILEVSETF	Rail-Mounted Natural Veneer Privacy Set, Floating
BFGWTBMG40048	Wall Tile Button-Mt Standard Glass 40W 48H	BY-FGBMTILE	Button-Mounted Privacy Tile (Laminated Glass)
BFGWTBMG42048	Wall Tile Button-Mt Standard Glass 42W 48H	BY-FGBMTILE	Button-Mounted Privacy Tile (Laminated Glass)
BFGWTBMG48048	Wall Tile Button-Mt Standard Glass 48W 48H	BY-FGBMTILE	Button-Mounted Privacy Tile (Laminated Glass)
BFGWTBMLG40048	Wall Tile Button-Mt Inside Left Glass 40W 48H	BY-FGBMTILE	Button-Mounted Privacy Tile (Laminated Glass)
BFGWTBMLG42048	Wall Tile Button-Mt Inside Left Glass 42W 48H	BY-FGBMTILE	Button-Mounted Privacy Tile (Laminated Glass)
BFGWTBMLG48048	Wall Tile Button-Mt Inside Left Glass 48W 48H	BY-FGBMTILE	Button-Mounted Privacy Tile (Laminated Glass)
BFGWTBMRG40048	Wall Tile Button-Mt Inside Right Glass 40W 48H	BY-FGBMTILE	Button-Mounted Privacy Tile (Laminated Glass)
BFGWTBMRG42048	Wall Tile Button-Mt Inside Right Glass 42W 48H	BY-FGBMTILE	Button-Mounted Privacy Tile (Laminated Glass)
BFGWTBMRG48048	Wall Tile Button-Mt Inside Right Glass 48W 48H	BY-FGBMTILE	Button-Mounted Privacy Tile (Laminated Glass)
BFGWTF40024	Wall Tile Full Height Fabric 40W 24H	BY-FGRTILEFAB	Rail-Mounted Fabric Tile
BFGWTF42024	Wall Tile Full Height Fabric 42W 24H	BY-FGRTILEFAB	Rail-Mounted Fabric Tile
BFGWTF48024	Wall Tile Full Height Fabric 48W 24H	BY-FGRTILEFAB	Rail-Mounted Fabric Tile
BFGWTFG80024	Wall Tile Full Height-MKB Glass 80W 24H	BY-FGRTILEGMB	Rail-Mounted Glass Marker Board Tile

SEISMIC ZONES  
 CEILING CONNECTION & FREESTANDING  
 PANEL LEVELING  
 FRAMELESS  
 FRAMED AND SOLID  
 DOORS  
 CABANA  
 VIZ  
 NEW, REVISED, AND DISCONTINUED  
 APPENDIX

MODEL REFERENCE GUIDE

OLD BASE MODEL	OLD DESCRIPTION	NEW BASE MODEL	NEW DESCRIPTION
BFGWTFG80048	Wall Tile Full Height-MKB Glass 80W 48H	BY-FGRTILEGMB	Rail-Mounted Glass Marker Board Tile
BFGWTFG84024	Wall Tile Full Height-MKB Glass 84W 24H	BY-FGRTILEGMB	Rail-Mounted Glass Marker Board Tile
BFGWTFG84048	Wall Tile Full Height-MKB Glass 84W 48H	BY-FGRTILEGMB	Rail-Mounted Glass Marker Board Tile
BFGWTFG96024	Wall Tile Full Height-MKB Glass 96W 24H	BY-FGRTILEGMB	Rail-Mounted Glass Marker Board Tile
BFGWTFG96048	Wall Tile Full Height-MKB Glass 96W 48H	BY-FGRTILEGMB	Rail-Mounted Glass Marker Board Tile
BFGWTF40024	Wall Tile Full Height-Laminate 40W 24H	BY-FGRTILELAM	Rail-Mounted Laminate Tile
BFGWTF42024	Wall Tile Full Height-Laminate 42W 24H	BY-FGRTILELAM	Rail-Mounted Laminate Tile
BFGWTF48024	Wall Tile Full Height-Laminate 48W 24H	BY-FGRTILELAM	Rail-Mounted Laminate Tile
BFGWTFLEPL40024	WallTile FullHt Lam40W 24H ElecPorted BottomLft 80"OW	BY-FGRTILELAM	Rail-Mounted Laminate Tile
BFGWTFLEPL42024	WallTile FullHt Lam42W 24H ElecPorted BottomLft 84"OW	BY-FGRTILELAM	Rail-Mounted Laminate Tile
BFGWTFLEPL48024	WallTile FullHt Lam48W 24H ElecPorted BottomLft 96"OW	BY-FGRTILELAM	Rail-Mounted Laminate Tile
BFGWTFLEPR40024	WallTile FullHt Lam40W 24H ElecPorted BottomRt 80"OW	BY-FGRTILELAM	Rail-Mounted Laminate Tile
BFGWTFLEPR42024	WallTile FullHt Lam42W 24H ElecPorted BottomRt 84"OW	BY-FGRTILELAM	Rail-Mounted Laminate Tile
BFGWTFLEPR48024	WallTile FullHt Lam48W 24H ElecPorted BottomRt 96"OW	BY-FGRTILELAM	Rail-Mounted Laminate Tile
BFGWTFVEPL40024	WallTile FullHt Vert-Ven 40W 24H Elec Ported Pair 80"OW	BY-FGRTILEVEN	Rail-Mounted Veneer Tile
BFGWTFVEPL42024	WallTile FullHt Vert-Ven 42W 24H Elec Ported Pair 84"OW	BY-FGRTILEVEN	Rail-Mounted Veneer Tile
BFGWTFVEPL48024	WallTile FullHt Vert-Ven 48W 24H Elec Ported Pair 96"OW	BY-FGRTILEVEN	Rail-Mounted Veneer Tile
BFGWTFVEPR40024	WallTile FullHt Vert-Ven 40W 24H Elec Ported Pair 80"OW	BY-FGRTILEVEN	Rail-Mounted Veneer Tile
BFGWTFVEPR42024	WallTile FullHt Vert-Ven 42W 24H Elec Ported Pair 84"OW	BY-FGRTILEVEN	Rail-Mounted Veneer Tile
BFGWTFVEPR48024	WallTile FullHt Vert-Ven 48W 24H Elec Ported Pair 96"OW	BY-FGRTILEVEN	Rail-Mounted Veneer Tile
BFGWTFVV40024	Wall Tile Full Height Vertical-Veneer 40W 24H	BY-FGRTILEVEN	Rail-Mounted Veneer Tile
BFGWTFVV42024	Wall Tile Full Height Vertical-Veneer 42W 24H	BY-FGRTILEVEN	Rail-Mounted Veneer Tile
BFGWTFVV48024	Wall Tile Full Height Vertical-Veneer 48W 24H	BY-FGRTILEVEN	Rail-Mounted Veneer Tile
BFGWTHF40013	Wall Tile Half Ht Modesty Fabric 40W 13H	BY-FGRTILEFAB	Rail-Mounted Fabric Tile
BFGWTHF42013	Wall Tile Half Ht Modesty Fabric 42W 13H	BY-FGRTILEFAB	Rail-Mounted Fabric Tile
BFGWTHF48013	Wall Tile Half Ht Modesty Fabric 48W 13H	BY-FGRTILEFAB	Rail-Mounted Fabric Tile
BFGWTHL40013	Wall Tile Half Ht-Laminate 40W 13H	BY-FGRTILELAM	Rail-Mounted Laminate Tile

SEISMIC ZONES  
 CEILING CONNECTION & FREESTANDING  
 PANEL LEVELING  
 FRAMELESS  
 FRAMED AND SOLID  
 DOORS  
 CABANA  
 VIZ  
 NEW, REVISED, AND DISCONTINUED  
 APPENDIX

MODEL REFERENCE GUIDE

OLD BASE MODEL	OLD DESCRIPTION	NEW BASE MODEL	NEW DESCRIPTION
BFGWTHL42013	Wall Tile Half Ht-Laminate 42W 13H	BY-FGR TILELAM	Rail-Mounted Laminate Tile
BFGWTHL48013	Wall Tile Half Ht-Laminate 48W 13H	BY-FGR TILELAM	Rail-Mounted Laminate Tile
BFGWTHVV40013	Wall Tile Half Ht Modesty Vert-Veneer 40W 13H	BY-FGR TILEVEN	Rail-Mounted Veneer Tile
BFGWTHVV42013	Wall Tile Half Ht Modesty Vert-Veneer 42W 13H	BY-FGR TILEVEN	Rail-Mounted Veneer Tile
BFGWTHVV48013	Wall Tile Half Ht Modesty Vert-Veneer 48W 13H	BY-FGR TILEVEN	Rail-Mounted Veneer Tile
BFGWTKCDA80048	Wall Tile Kit-Dbl Flt Mid Panel Anodized 80W 48H	BY-FGR TRIMKIT	Rail-Mounted Privacy Trim Kit
BFGWTKCDA84048	Wall Tile Kit-Dbl Flt Mid Panel Anodized 84W 48H	BY-FGR TRIMKIT	Rail-Mounted Privacy Trim Kit
BFGWTKCDA96048	Wall Tile Kit-Dbl Flt Mid Panel Anodized 96W 48H	BY-FGR TRIMKIT	Rail-Mounted Privacy Trim Kit
BFGWTKCDP80048	Wall Tile Kit-Dbl Flt Mid Panel Painted 80W 48H	BY-FGR TRIMKIT	Rail-Mounted Privacy Trim Kit
BFGWTKCDP84048	Wall Tile Kit-Dbl Flt Mid Panel Painted 84W 48H	BY-FGR TRIMKIT	Rail-Mounted Privacy Trim Kit
BFGWTKCDP96048	Wall Tile Kit-Dbl Flt Mid Panel Painted 96W 48H	BY-FGR TRIMKIT	Rail-Mounted Privacy Trim Kit
BFGWTKCHA80037	Wall Tile Kit-Half Mod Mid Panel Anodized 80W 37H	BY-FGR TRIMKIT	Rail-Mounted Privacy Trim Kit
BFGWTKCHA80061	Wall Tile Kit-Half Mod Mid Panel Anodized 80W 61H	BY-FGR TRIMKIT	Rail-Mounted Privacy Trim Kit
BFGWTKCHA84037	Wall Tile Kit-Half Mod Mid Panel Anodized 84W 37H	BY-FGR TRIMKIT	Rail-Mounted Privacy Trim Kit
BFGWTKCHA84061	Wall Tile Kit-Half Mod Mid Panel Anodized 84W 61H	BY-FGR TRIMKIT	Rail-Mounted Privacy Trim Kit
BFGWTKCHA96037	Wall Tile Kit-Half Mod Mid Panel Anodized 96W 37H	BY-FGR TRIMKIT	Rail-Mounted Privacy Trim Kit
BFGWTKCHA96061	Wall Tile Kit-Half Mod Mid Panel Anodized 96W 61H	BY-FGR TRIMKIT	Rail-Mounted Privacy Trim Kit
BFGWTKCHMA80061	Wall Tile Kit-Half Mod Mid Pnl MKBD Anod 80W 61H	BY-FGR TRIMKIT	Rail-Mounted Privacy Trim Kit
BFGWTKCHMA84061	Wall Tile Kit-Half Mod Mid Pnl MKBD Anod 84W 61H	BY-FGR TRIMKIT	Rail-Mounted Privacy Trim Kit
BFGWTKCHMA96061	Wall Tile Kit-Half Mod Mid Pnl MKBD Anod 96W 61H	BY-FGR TRIMKIT	Rail-Mounted Privacy Trim Kit
BFGWTKCHMP80061	Wall Tile Kit-Half Mod Mid Pnl MKBD Ptd 80W 61H	BY-FGR TRIMKIT	Rail-Mounted Privacy Trim Kit
BFGWTKCHMP84061	Wall Tile Kit-Half Mod Mid Pnl MKBD Ptd 84W 61H	BY-FGR TRIMKIT	Rail-Mounted Privacy Trim Kit
BFGWTKCHMP96061	Wall Tile Kit-Half Mod Mid Pnl MKBD Ptd 96W 61H	BY-FGR TRIMKIT	Rail-Mounted Privacy Trim Kit
BFGWTKCHP80037	Wall Tile Kit-Half Mod Mid Panel Painted 80W 37H	BY-FGR TRIMKIT	Rail-Mounted Privacy Trim Kit
BFGWTKCHP80061	Wall Tile Kit-Half Mod Mid Panel Painted 80W 61H	BY-FGR TRIMKIT	Rail-Mounted Privacy Trim Kit
BFGWTKCHP84037	Wall Tile Kit-Half Mod Mid Panel Painted 84W 37H	BY-FGR TRIMKIT	Rail-Mounted Privacy Trim Kit

SEISMIC ZONES  
 CEILING CONNECTION & FREESTANDING  
 PANEL LEVELING  
 FRAMELESS  
 FRAMED AND SOLID  
 DOORS  
 CABANA  
 VIZ  
 NEW, REVISED, AND DISCONTINUED  
 APPENDIX



MODEL REFERENCE GUIDE

OLD BASE MODEL	OLD DESCRIPTION	NEW BASE MODEL	NEW DESCRIPTION
BFGWTKCHP84061	Wall Tile Kit-Half Mod Mid Panel Painted 84W 61H	BY-FGRTRIMKIT	Rail-Mounted Privacy Trim Kit
BFGWTKCHP96037	Wall Tile Kit-Half Mod Mid Panel Painted 96W 37H	BY-FGRTRIMKIT	Rail-Mounted Privacy Trim Kit
BFGWTKCHP96061	Wall Tile Kit-Half Mod Mid Panel Painted 96W 61H	BY-FGRTRIMKIT	Rail-Mounted Privacy Trim Kit
BFGWTKCSA80024	Wall Tile Kit-Sgl Flt Mid Panel Anodized 80W 24H	BY-FGRTRIMKIT	Rail-Mounted Privacy Trim Kit
BFGWTKCSA84024	Wall Tile Kit-Sgl Flt Mid Panel Anodized 84W 24H	BY-FGRTRIMKIT	Rail-Mounted Privacy Trim Kit
BFGWTKCSA96024	Wall Tile Kit-Sgl Flt Mid Panel Anodized 96W 24H	BY-FGRTRIMKIT	Rail-Mounted Privacy Trim Kit
BFGWTKCSMA80048	Wall Tile Kit-Sgl Flt Mid Pnl MKB Anod 80W 48H	BY-FGRTRIMKIT	Rail-Mounted Privacy Trim Kit
BFGWTKCSMA84048	Wall Tile Kit-Sgl Flt Mid Pnl MKB Anod 84W 48H	BY-FGRTRIMKIT	Rail-Mounted Privacy Trim Kit
BFGWTKCSMA96048	Wall Tile Kit-Sgl Flt Mid Pnl MKB Anod 96W 48H	BY-FGRTRIMKIT	Rail-Mounted Privacy Trim Kit
BFGWTKCSMP80048	Wall Tile Kit-Sgl Flt Mid Pnl MKB Paint 80W 48H	BY-FGRTRIMKIT	Rail-Mounted Privacy Trim Kit
BFGWTKCSMP84048	Wall Tile Kit-Sgl Flt Mid Pnl MKB Paint 84W 48H	BY-FGRTRIMKIT	Rail-Mounted Privacy Trim Kit
BFGWTKCSMP96048	Wall Tile Kit-Sgl Flt Mid Pnl MKB Paint 96W 48H	BY-FGRTRIMKIT	Rail-Mounted Privacy Trim Kit
BFGWTKCSP80024	Wall Tile Kit-Sgl Flt Mid Panel Painted 80W 24H	BY-FGRTRIMKIT	Rail-Mounted Privacy Trim Kit
BFGWTKCSP84024	Wall Tile Kit-Sgl Flt Mid Panel Painted 84W 24H	BY-FGRTRIMKIT	Rail-Mounted Privacy Trim Kit
BFGWTKCSP96024	Wall Tile Kit-Sgl Flt Mid Panel Painted 96W 24H	BY-FGRTRIMKIT	Rail-Mounted Privacy Trim Kit
BFGWTKSCFA80048	Wall Tile Kit-Full Mod Mid Panel Anodized 80W 48H	BY-FGRTRIMKIT	Rail-Mounted Privacy Trim Kit
BFGWTKSCFA80072	Wall Tile Kit-Full Mod Mid Panel Anodized 80W 72H	BY-FGRTRIMKIT	Rail-Mounted Privacy Trim Kit
BFGWTKSCFA84048	Wall Tile Kit-Full Mod Mid Panel Anodized 84W 48H	BY-FGRTRIMKIT	Rail-Mounted Privacy Trim Kit
BFGWTKSCFA84072	Wall Tile Kit-Full Mod Mid Panel Anodized 84W 72H	BY-FGRTRIMKIT	Rail-Mounted Privacy Trim Kit
BFGWTKSCFA96048	Wall Tile Kit-Full Mod Mid Panel Anodized 96W 48H	BY-FGRTRIMKIT	Rail-Mounted Privacy Trim Kit
BFGWTKSCFA96072	Wall Tile Kit-Full Mod Mid Panel Anodized 96W 72H	BY-FGRTRIMKIT	Rail-Mounted Privacy Trim Kit
BFGWTKSCFMA80072	Wall Tile Kit-Full Mod Mid Pnl MKB Anod 80W 72H	BY-FGRTRIMKIT	Rail-Mounted Privacy Trim Kit
BFGWTKSCFMA84072	Wall Tile Kit-Full Mod Mid Pnl MKB Anod 84W 72H	BY-FGRTRIMKIT	Rail-Mounted Privacy Trim Kit
BFGWTKSCFMA96072	Wall Tile Kit-Full Mod Mid Pnl MKB Anod 96W 72H	BY-FGRTRIMKIT	Rail-Mounted Privacy Trim Kit
BFGWTKSCFMP80072	Wall Tile Kit-Full Mod Mid Pnl MKB Paint 80W 72H	BY-FGRTRIMKIT	Rail-Mounted Privacy Trim Kit

SEISMIC ZONES  
 CEILING CONNECTION & FREESTANDING  
 PANEL LEVELING  
 FRAMELESS  
 FRAMED AND SOLID  
 DOORS  
 CABANA  
 VIZ  
 NEW, REVISED, AND DISCONTINUED  
 APPENDIX

MODEL REFERENCE GUIDE

OLD BASE MODEL	OLD DESCRIPTION	NEW BASE MODEL	NEW DESCRIPTION
BFGWTKSCFMP84072	Wall Tile Kit-Full Mod Mid Pnl MKB Paint 84W 72H	BY-FGRTRIMKIT	Rail-Mounted Privacy Trim Kit
BFGWTKSCFMP96072	Wall Tile Kit-Full Mod Mid Pnl MKB Paint 96W 72H	BY-FGRTRIMKIT	Rail-Mounted Privacy Trim Kit
BFGWTKSCFP80048	Wall Tile Kit-Full Mod Mid Panel Painted 80W 48H	BY-FGRTRIMKIT	Rail-Mounted Privacy Trim Kit
BFGWTKSCFP80072	Wall Tile Kit-Full Mod Mid Panel Painted 80W 72H	BY-FGRTRIMKIT	Rail-Mounted Privacy Trim Kit
BFGWTKSCFP84048	Wall Tile Kit-Full Mod Mid Panel Painted 84W 48H	BY-FGRTRIMKIT	Rail-Mounted Privacy Trim Kit
BFGWTKSCFP84072	Wall Tile Kit-Full Mod Mid Panel Painted 84W 72H	BY-FGRTRIMKIT	Rail-Mounted Privacy Trim Kit
BFGWTKSCFP96048	Wall Tile Kit-Full Mod Mid Panel Painted 96W 48H	BY-FGRTRIMKIT	Rail-Mounted Privacy Trim Kit
BFGWTKSCFP96072	Wall Tile Kit-Full Mod Mid Panel Painted 96W 72H	BY-FGRTRIMKIT	Rail-Mounted Privacy Trim Kit
BFGWTKSTFA80048	Wall Tile Kit-Full Mod 2 Panel Anodized 80W 48H	BY-FGRTRIMKIT	Rail-Mounted Privacy Trim Kit
BFGWTKSTFA80072	Wall Tile Kit-Full Mod 2 Panel Anodized 80W 72H	BY-FGRTRIMKIT	Rail-Mounted Privacy Trim Kit
BFGWTKSTFA84048	Wall Tile Kit-Full Mod 2 Panel Anodized 84W 48H	BY-FGRTRIMKIT	Rail-Mounted Privacy Trim Kit
BFGWTKSTFA84072	Wall Tile Kit-Full Mod 2 Panel Anodized 84W 72H	BY-FGRTRIMKIT	Rail-Mounted Privacy Trim Kit
BFGWTKSTFA96048	Wall Tile Kit-Full Mod 2 Panel Anodized 96W 48H	BY-FGRTRIMKIT	Rail-Mounted Privacy Trim Kit
BFGWTKSTFA96072	Wall Tile Kit-Full Mod 2 Panel Anodized 96W 72H	BY-FGRTRIMKIT	Rail-Mounted Privacy Trim Kit
BFGWTKSTFMA80072	Wall Tile Kit-Full Mod 2 Pnl MKB Anod 80W 72H	BY-FGRTRIMKIT	Rail-Mounted Privacy Trim Kit
BFGWTKSTFMA84072	Wall Tile Kit-Full Mod 2 Pnl MKB Anod 84W 72H	BY-FGRTRIMKIT	Rail-Mounted Privacy Trim Kit
BFGWTKSTFMA96072	Wall Tile Kit-Full Mod 2 Pnl MKB Anod 96W 72H	BY-FGRTRIMKIT	Rail-Mounted Privacy Trim Kit
BFGWTKSTFMP80072	Wall Tile Kit-Full Mod 2 Pnl MKB Paint 80W 72H	BY-FGRTRIMKIT	Rail-Mounted Privacy Trim Kit
BFGWTKSTFMP84072	Wall Tile Kit-Full Mod 2 Pnl MKB Paint 84W 72H	BY-FGRTRIMKIT	Rail-Mounted Privacy Trim Kit
BFGWTKSTFMP96072	Wall Tile Kit-Full Mod 2 Pnl MKB Paint 96W 72H	BY-FGRTRIMKIT	Rail-Mounted Privacy Trim Kit
BFGWTKSTFP80048	Wall Tile Kit-Full Mod 2 Panel Painted 80W 48H	BY-FGRTRIMKIT	Rail-Mounted Privacy Trim Kit
BFGWTKSTFP80072	Wall Tile Kit-Full Mod 2 Panel Painted 80W 72H	BY-FGRTRIMKIT	Rail-Mounted Privacy Trim Kit
BFGWTKSTFP84048	Wall Tile Kit-Full Mod 2 Panel Painted 84W 48H	BY-FGRTRIMKIT	Rail-Mounted Privacy Trim Kit
BFGWTKSTFP84072	Wall Tile Kit-Full Mod 2 Panel Painted 84W 72H	BY-FGRTRIMKIT	Rail-Mounted Privacy Trim Kit
BFGWTKSTFP96048	Wall Tile Kit-Full Mod 2 Panel Painted 96W 48H	BY-FGRTRIMKIT	Rail-Mounted Privacy Trim Kit

SEISMIC ZONES

CEILING CONNECTION & FREESTANDING

PANEL LEVELING

FRAMELESS

FRAMED AND SOLID

DOORS

CABANA

VIZ

NEW, REVISED, AND DISCONTINUED

APPENDIX

MODEL REFERENCE GUIDE

OLD BASE MODEL	OLD DESCRIPTION	NEW BASE MODEL	NEW DESCRIPTION
BFGWTKSTFP96072	Wall Tile Kit-Full Mod 2 Panel Painted 96W 72H	BY-FGRTRIMKIT	Rail-Mounted Privacy Trim Kit
BFGWTKTDA80048	Wall Tile Kit-Dbl Flt 2 Panel Anodized 80W 48H	BY-FGRTRIMKIT	Rail-Mounted Privacy Trim Kit
BFGWTKTDA84048	Wall Tile Kit-Dbl Flt 2 Panel Anodized 84W 48H	BY-FGRTRIMKIT	Rail-Mounted Privacy Trim Kit
BFGWTKTDA96048	Wall Tile Kit-Dbl Flt 2 Panel Anodized 96W 48H	BY-FGRTRIMKIT	Rail-Mounted Privacy Trim Kit
BFGWTKTDP80048	Wall Tile Kit-Dbl Flt 2 Panel Painted 80W 48H	BY-FGRTRIMKIT	Rail-Mounted Privacy Trim Kit
BFGWTKTDP84048	Wall Tile Kit-Dbl Flt 2 Panel Painted 84W 48H	BY-FGRTRIMKIT	Rail-Mounted Privacy Trim Kit
BFGWTKTDP96048	Wall Tile Kit-Dbl Flt 2 Panel Painted 96W 48H	BY-FGRTRIMKIT	Rail-Mounted Privacy Trim Kit
BFGWTKTHA80037	Wall Tile Kit-Half Mod 2 Panel Anodized 80W 37H	BY-FGRTRIMKIT	Rail-Mounted Privacy Trim Kit
BFGWTKTHA80061	Wall Tile Kit-Half Mod 2 Panel Anodized 80W 61H	BY-FGRTRIMKIT	Rail-Mounted Privacy Trim Kit
BFGWTKTHA84037	Wall Tile Kit-Half Mod 2 Panel Anodized 84W 37H	BY-FGRTRIMKIT	Rail-Mounted Privacy Trim Kit
BFGWTKTHA84061	Wall Tile Kit-Half Mod 2 Panel Anodized 84W 61H	BY-FGRTRIMKIT	Rail-Mounted Privacy Trim Kit
BFGWTKTHA96037	Wall Tile Kit-Half Mod 2 Panel Anodized 96W 37H	BY-FGRTRIMKIT	Rail-Mounted Privacy Trim Kit
BFGWTKTHA96061	Wall Tile Kit-Half Mod 2 Panel Anodized 96W 61H	BY-FGRTRIMKIT	Rail-Mounted Privacy Trim Kit
BFGWTKTHMA80061	Wall Tile Kit-Half Mod Mid Pnl MKB Anod 80W 61H	BY-FGRTRIMKIT	Rail-Mounted Privacy Trim Kit
BFGWTKTHMA84061	Wall Tile Kit-Half Mod Mid Pnl MKB Anod 84W 61H	BY-FGRTRIMKIT	Rail-Mounted Privacy Trim Kit
BFGWTKTHMA96061	Wall Tile Kit-Half Mod Mid Pnl MKB Anod 96W 61H	BY-FGRTRIMKIT	Rail-Mounted Privacy Trim Kit
BFGWTKTHMP80061	Wall Tile Kit-Half Mod Mid Pnl MKB Ptd 80W 61H	BY-FGRTRIMKIT	Rail-Mounted Privacy Trim Kit
BFGWTKTHMP84061	Wall Tile Kit-Half Mod Mid Pnl MKB Ptd 84W 61H	BY-FGRTRIMKIT	Rail-Mounted Privacy Trim Kit
BFGWTKTHMP96061	Wall Tile Kit-Half Mod Mid Pnl MKB Anod 96W 61H	BY-FGRTRIMKIT	Rail-Mounted Privacy Trim Kit
BFGWTKTHP80037	Wall Tile Kit-Half Mod 2 Panel Painted 80W 37H	BY-FGRTRIMKIT	Rail-Mounted Privacy Trim Kit
BFGWTKTHP80061	Wall Tile Kit-Half Mod 2 Panel Painted 80W 61H	BY-FGRTRIMKIT	Rail-Mounted Privacy Trim Kit
BFGWTKTHP84037	Wall Tile Kit-Half Mod 2 Panel Painted 84W 37H	BY-FGRTRIMKIT	Rail-Mounted Privacy Trim Kit
BFGWTKTHP84061	Wall Tile Kit-Half Mod 2 Panel Painted 84W 61H	BY-FGRTRIMKIT	Rail-Mounted Privacy Trim Kit
BFGWTKTHP96037	Wall Tile Kit-Half Mod 2 Panel Painted 96W 37H	BY-FGRTRIMKIT	Rail-Mounted Privacy Trim Kit
BFGWTKTHP96061	Wall Tile Kit-Half Mod 2 Panel Painted 96W 61H	BY-FGRTRIMKIT	Rail-Mounted Privacy Trim Kit

SEISMIC ZONES  
 CEILING CONNECTION & FREESTANDING  
 PANEL LEVELING  
 FRAMELESS  
 FRAMED AND SOLID  
 DOORS  
 CABANA  
 VIZ  
 NEW, REVISED, AND DISCONTINUED  
 APPENDIX

MODEL REFERENCE GUIDE

OLD BASE MODEL	OLD DESCRIPTION	NEW BASE MODEL	NEW DESCRIPTION
BFGWTKTSA80024	Wall Tile Kit-Sgl Flt 2 Panel Anodized 80W 24H	BY-FGRTRIMKIT	Rail-Mounted Privacy Trim Kit
BFGWTKTSA84024	Wall Tile Kit-Sgl Flt 2 Panel Anodized 84W 24H	BY-FGRTRIMKIT	Rail-Mounted Privacy Trim Kit
BFGWTKTSA96024	Wall Tile Kit-Sgl Flt 2 Panel Anodized 96W 24H	BY-FGRTRIMKIT	Rail-Mounted Privacy Trim Kit
BFGWTKTSA80048	Wall Tile Kit-Sgl Flt 2 Pnl MKB Anod 80W 48H	BY-FGRTRIMKIT	Rail-Mounted Privacy Trim Kit
BFGWTKTSA84048	Wall Tile Kit-Sgl Flt 2 Pnl MKB Anod 84W 48H	BY-FGRTRIMKIT	Rail-Mounted Privacy Trim Kit
BFGWTKTSA96048	Wall Tile Kit-Sgl Flt 2 Pnl MKB Anod 96W 48H	BY-FGRTRIMKIT	Rail-Mounted Privacy Trim Kit
BFGWTKTSMP80048	Wall Tile Kit-Sgl Flt 2 Pnl MKB Paint 80W 48H	BY-FGRTRIMKIT	Rail-Mounted Privacy Trim Kit
BFGWTKTSMP84048	Wall Tile Kit-Sgl Flt 2 Pnl MKB Paint 84W 48H	BY-FGRTRIMKIT	Rail-Mounted Privacy Trim Kit
BFGWTKTSMP96048	Wall Tile Kit-Sgl Flt 2 Pnl MKB Paint 96W 48H	BY-FGRTRIMKIT	Rail-Mounted Privacy Trim Kit
BFGWTKTSP80024	Wall Tile Kit-Sgl Flt 2 Panel Painted 80W 24H	BY-FGRTRIMKIT	Rail-Mounted Privacy Trim Kit
BFGWTKTSP84024	Wall Tile Kit-Sgl Flt 2 Panel Painted 84W 24H	BY-FGRTRIMKIT	Rail-Mounted Privacy Trim Kit
BFGWTKTSP96024	Wall Tile Kit-Sgl Flt 2 Panel Painted 96W 24H	BY-FGRTRIMKIT	Rail-Mounted Privacy Trim Kit
BFS-8710192	Electrical Pass-Thru w/o Powerblk 192"	BY-FS8PASSTHRU	Pass-Thru without Power Block, 192"
BFS-8713102	Electrical Jumper Cable 102"	BY-FS8JUMPER	Jumper, 8-Wire
BFS-8713105	Electrical Jumper Cable 105"	BY-FS8JUMPER	Jumper, 8-Wire
BFS-8713108	Electrical Jumper Cable 108"	BY-FS8JUMPER	Jumper, 8-Wire
BFS-8713111	Electrical Jumper Cable 111"	BY-FS8JUMPER	Jumper, 8-Wire
BFS-8713114	Electrical Jumper Cable 114"	BY-FS8JUMPER	Jumper, 8-Wire
BFS-8713117	Electrical Jumper Cable 117"	BY-FS8JUMPER	Jumper, 8-Wire
BFS-8713120	Electrical Jumper Cable 120"	BY-FS8JUMPER	Jumper, 8-Wire
BFS-871324	Electrical Jumper Cable 24"	BY-FS8JUMPER	Jumper, 8-Wire
BFS-871327	Electrical Jumper Cable 27"	BY-FS8JUMPER	Jumper, 8-Wire
BFS-871330	Electrical Jumper Cable 30"	BY-FS8JUMPER	Jumper, 8-Wire
BFS-871333	Electrical Jumper Cable 33"	BY-FS8JUMPER	Jumper, 8-Wire
BFS-871336	Electrical Jumper Cable 36"	BY-FS8JUMPER	Jumper, 8-Wire
BFS-871339	Electrical Jumper Cable 39"	BY-FS8JUMPER	Jumper, 8-Wire
BFS-871342	Electrical Jumper Cable 42"	BY-FS8JUMPER	Jumper, 8-Wire
BFS-871345	Electrical Jumper Cable 45"	BY-FS8JUMPER	Jumper, 8-Wire
BFS-871348	Electrical Jumper Cable 48"	BY-FS8JUMPER	Jumper, 8-Wire
BFS-871351	Electrical Jumper Cable 51"	BY-FS8JUMPER	Jumper, 8-Wire
BFS-871354	Electrical Jumper Cable 54"	BY-FS8JUMPER	Jumper, 8-Wire
BFS-871357	Electrical Jumper Cable 57"	BY-FS8JUMPER	Jumper, 8-Wire
BFS-871360	Electrical Jumper Cable 60"	BY-FS8JUMPER	Jumper, 8-Wire
BFS-871363	Electrical Jumper Cable 63"	BY-FS8JUMPER	Jumper, 8-Wire
BFS-871366	Electrical Jumper Cable 66"	BY-FS8JUMPER	Jumper, 8-Wire

MODEL REFERENCE GUIDE

OLD BASE MODEL	OLD DESCRIPTION	NEW BASE MODEL	NEW DESCRIPTION
BFS-871369	Electrical Jumper Cable 69"	BY-FS8JUMPER	Jumper, 8-Wire
BFS-871372	Electrical Jumper Cable 72"	BY-FS8JUMPER	Jumper, 8-Wire
BFS-871375	Electrical Jumper Cable 75"	BY-FS8JUMPER	Jumper, 8-Wire
BFS-871378	Electrical Jumper Cable 78"	BY-FS8JUMPER	Jumper, 8-Wire
BFS-871381	Electrical Jumper Cable 81"	BY-FS8JUMPER	Jumper, 8-Wire
BFS-871384	Electrical Jumper Cable 84"	BY-FS8JUMPER	Jumper, 8-Wire
BFS-871387	Electrical Jumper Cable 87"	BY-FS8JUMPER	Jumper, 8-Wire
BFS-871390	Electrical Jumper Cable 90"	BY-FS8JUMPER	Jumper, 8-Wire
BFS-871393	Electrical Jumper Cable 93"	BY-FS8JUMPER	Jumper, 8-Wire
BFS-871396	Electrical Jumper Cable 96"	BY-FS8JUMPER	Jumper, 8-Wire
BFS-871399	Electrical Jumper Cable 99"	BY-FS8JUMPER	Jumper, 8-Wire
BFS-871912	Ceiling Electrical Infeed 12' Flex Cable	BY-FS8CINFEED	Ceiling In-Feed, 8-Wire
BFS-871918	Ceiling Electrical Infeed 18' Flex Cable	BY-FS8CINFEED	Ceiling In-Feed, 8-Wire
BFS-877072	Base Electrical Infeed 6' Sealtight	BY-FS8BINFEED	Base In-Feed, 8-Wire, 72"
BFS-877501	Duplex Receptacle - Circuit 1	BY-FS8DUPLEX	Duplex, 8-Wire
BFS-877502	Duplex Receptacle - Circuit 2	BY-FS8DUPLEX	Duplex, 8-Wire
BFS-877503	Duplex Receptacle - Circuit 3	BY-FS8DUPLEX	Duplex, 8-Wire
BFS-877504	Duplex Receptacle - Circuit 4 (iso/dedicated)	BY-FS8DUPLEX	Duplex, 8-Wire
BFS-877506	Duplex Receptacle - Circuit 3 (2+2)	BY-FS8DUPLEX	Duplex, 8-Wire
BFS-877509	Duplex Receptacle - Switched Circuit 4 (2+2)	BY-FS8DUPLEX	Duplex, 8-Wire
BFS-877517	Duplex Receptacle - Switched Circuit 3 (2+2)	BY-FS8DUPLEX	Duplex, 8-Wire
BFS-CCEBB	Chicago Code Base Power Electrical Box	BY-FSCHICAGOBOX	Chicago Code Base Power Electrical Box
BFS-PWBLKD	Bynd Powerblock - Double	BY-FS8PBLOCK	Power Block, 8-Wire
BFS-PWBLKS	Bynd Powerblock - Single	BY-FS8PBLOCK	Power Block, 8-Wire
BFSACH	Bynd Frmd/Solid Accessory Hook	BY-FSHOOK	Accessory Hook
BFSBT	Beyond Framed-Solid Base Trim	BY-FSBT	Base Trim
BFSBTEC	Base Trim Electrical Ported for Chicago Elec Box	BY-FSBTE	Electrical Base Trim
BFSBTED	Beyond Frmd-Solid Base Trim-Ported Data	BY-FSBTE	Electrical Base Trim
BFSBTEN	Bynd Base Trim - Electrical Non-Ported	BY-FSBTE	Electrical Base Trim
BFSBTEP	Bynd Base Trim - Electrical Ported	BY-FSBTE	Electrical Base Trim
BFSCMB	Ceiling Mounting Brackets (Set including 2 brackets)	BY-FSSUSPBRKT	Suspended Ceiling Mounting Brackets
BFSDFSLDS742	Door Frame-Sliding Dr Sgl 7' CS Int Rail 42W	BY-SDFFRAMEGLTR	Sliding Door Frame with Transom
BFSDFSLDS748	Door Frame-Sliding Dr Sgl 7' CS Int Rail 48W	BY-SDFFRAMEGLTR	Sliding Door Frame with Transom
BFSFA	Beyond Framed Floor Anchor	BY-FSANCHOR	Framed/Solid Seismic Anchor
BFSFC	Bynd Frmd/Solid Freestanding Cornice	BY-FSCORNICE	Freestanding Cornice
BFSFHB	Bynd Frmd/Slid Furniture Hanging Brackets	BY-FURNBRACKET	Furniture Adapter Bracket
BFSFMA	Beyond Off-Modular Adapter	BY-FSOFFMOD	Off-Modular Adapter, Stride-to-Beyond (for Int Rail)

SEISMIC ZONES  
CEILING CONNECTION & FREESTANDING  
PANEL LEVELING  
FRAMELESS  
FRAMED AND SOLID  
DOORS  
CABANA  
VIZ  
NEW, REVISED, AND DISCONTINUED  
APPENDIX

MODEL REFERENCE GUIDE

OLD BASE MODEL	OLD DESCRIPTION	NEW BASE MODEL	NEW DESCRIPTION
BFSRCH	Bynd Frmd/Solid Integrated Rail Coat Hook	BY-FSCOATHOOK	Coat Hook (for Integrated Rail)
BFSSCTN	Bynd Suspended Ceiling Trim-Inside Corner	BY-FSCFLUSHTRIM	Flush Mounted Suspended Ceiling Trim
BFSSCTS	Bynd Suspended Ceiling Trim-Straight	BY-FSCFLUSHTRIM	Flush Mounted Suspended Ceiling Trim
BFSSCTU	Bynd Suspended Ceiling Trim-Outside Corner	BY-FSCFLUSHTRIM	Flush Mounted Suspended Ceiling Trim
BFSVPFE	Beyond Frmd/Solid Post to the Floor: Lightswitch	BY-EPOST	In-line Electrical Ported Post
BFSVPFF	Beyond Frmd/Solid Post to the Floor: Finished End	BY-FSEND	Framed/Solid Finished End
BFSVPFFS	Beyond Frmd/Solid Post to the Flr End w/Stride	BY-FSEND	Framed/Solid Finished End
BFSVPFL	Beyond Frmd/Solid Post to the Floor: 2-way	BY-POST	Post
BFSVPFLAL	Bynd Frmd/Solid Pst to Flr-2-Way w/Access Trim LH	BY-APOST	Post with Access Trim
BFSVPFLAR	Bynd Frmd/Solid Pst to Flr-2-Way w/Access Trim RH	BY-APOST	Post with Access Trim
BFSVPFS	Beyond Frmd/Solid Post to the Floor: Straight	BY-POST	Post
BFSVPFSA	Bynd Frmd/Solid Post to Flr-Straight w/Access Trim	BY-APOST	Post with Access Trim
BFSVPFT	Beyond Frmd/Solid Post to the Floor: 3-way	BY-POST	Post
BFSVPFTA	Beyond Frmd/Solid Post to the Floor 3-way w/Access	BY-APOST	Post with Access Trim
BFSVPFX	Beyond Framed Post to the Floor: 4-way	BY-POST	Post
BFSVPFY	Beyond Framed Post to the Floor: 135 Degree	BY-POST	Post
BFSVPFZ	Beyond Zipper-based Connector	BY-ZIPPERCONN	Zipper-Based Connector
BFSVPSF	Beyond Framed Stacking Post Finished End	BY-FSEND	Framed/Solid Finished End
BFSVPSL	Beyond Framed Stacking Post 2-way	BY-POST	Post
BFSVPSLAL	Beyond Framed Stacking Post 2-way w/access LH	BY-APOST	Post with Access Trim
BFSVPSLAR	Beyond Framed Stacking Post 2-way w/access RH	BY-APOST	Post with Access Trim
BFSVPSS	Beyond Framed Stacking Post Straight	BY-POST	Post
BFSVPSSA	Beyond Framed Stacking Post Straight w/Access trim	BY-APOST	Post with Access Trim
BFSVPST	Beyond Framed Stacking Post 3-way	BY-POST	Post
BFSVPSTA	Beyond Framed Stacking Post 3-way w/Access	BY-APOST	Post with Access Trim
BFSVPSX	Beyond Framed Stacking Post 4-way	BY-POST	Post
BFSVPSY	Beyond Framed Stacking Post 135 Degree	BY-POST	Post
BFSVZA	Beyond Framed/Solid Vert Zipper Adj Angle	BY-AZIPPER	Adjustable Angle Zipper
BFSVZR	Beyond Framed Zipper - Recessed	BY-ZIPPER	Zipper
BFSVZRB	Beyond Framed-Solid Zipper - Bulk Pack	BY-ZIPPERBULK	Zipper
BFSWCFD	Beyond Framed Wall Channel to the Flr: Adj Door	BY-DWCHANNEL	Wall Channel, Door Adjacent
BFSWCFL	Beyond Framed Wall Channel to the Floor: Large	BY-FSLWCHANNEL	Wall Channel, Large
BFSWCFS	Beyond Framed Wall Channel to the Floor: Small	BY-FSSWCHANNEL	Wall Channel, Small
BFSWCSD	Beyond Framed Stacking Wall Channel: Adjacent Door	BY-DWCHANNEL	Wall Channel, Door Adjacent
BFSWCSL	Beyond Framed Stacking Wall Channel: Large	BY-FSLWCHANNEL	Wall Channel, Large

MODEL REFERENCE GUIDE

OLD BASE MODEL	OLD DESCRIPTION	NEW BASE MODEL	NEW DESCRIPTION
BFSWCSS	Beyond Framed Stacking Wall Channel: Small	BY-FSSWCHANNEL	Wall Channel, Small
BFSWMB	Beyond Frmd/Solid Wire Manager	BY-FSWMANAGER	Wire Manager
BFSWSHVR	Solid WindowSill Cuttable PanelTrim(Framed/Solid)	BY-FSSILLTRIM	Solid Window Sill U-Channel
BRGCMN7	Framed Monolithic Centered Narrow 7	BY-FRMDPANEL	Framed Glass Panel
BRGCMN8	Framed Monolithic Centered Narrow 8	BY-FRMDPANEL	Framed Glass Panel
BRGCMN9	Framed Monolithic Centered Narrow 9	BY-FRMDPANEL	Framed Glass Panel
BRGCMU7	Framed Monolithic Centered Uniform 7	BY-FRMDPANEL	Framed Glass Panel
BRGCMU8	Framed Monolithic Centered Uniform 8	BY-FRMDPANEL	Framed Glass Panel
BRGCMU9	Framed Monolithic Centered Uniform 9	BY-FRMDPANEL	Framed Glass Panel
BRGCSN8	Framed Segmented Centered Narrow 8	BY-FRMDPANEL	Framed Glass Panel
BRGCSN9	Framed Segmented Centered Narrow 9	BY-FRMDPANEL	Framed Glass Panel
BRGCSU8	Framed Segmented Centered Uniform 8	BY-FRMDPANEL	Framed Glass Panel
BRGCSU9	Framed Segmented Centered Uniform 9	BY-FRMDPANEL	Framed Glass Panel
BRGDWFL	Beyond Frmd Drywall End Cap to the Floor L	BY-ENDCAP	Drywall End Cap
BRGDWFT	Beyond Frmd Drywall End Cap to the Floor T	BY-ENDCAP	Drywall End Cap
BRGDWSL	Beyond Drywall End Cap Beyond Framed Stacking L	BY-ENDCAP	Drywall End Cap
BRGDWST	Beyond Drywall End Cap Beyond Framed Stacking T	BY-ENDCAP	Drywall End Cap
BRGMHSDGS742	Bynd42"W Mt Hrdwre-Door Trk BRG Glass SD Sgl 7 Ht	BY-SDTRACK	Sliding Door Track
BRGMHSDGS748	Bynd48"W Mt Hrdwre-Door Trk BRG Glass SD Sgl 7 Ht	BY-SDTRACK	Sliding Door Track
BRGMHSDWS48	Bynd 48"Mt Hardware-Door Track BRG WD/AL SD Sgl	BY-SDTRACK	Sliding Door Track
BRGMHSDWS742	Bynd42" Mt Hrdwre-Door Trk, BRG WD/AL SD Sgl 7 Ht	BY-SDTRACK	Sliding Door Track
BRGMHSDWS748	Bynd48" Mt Hrdwre-Door Trk, BRG WD/AL SD Sgl 7 Ht	BY-SDTRACK	Sliding Door Track
BRGMHSFWS48	Bynd 48"Mt Hardwre-Door Track BRG FS WD/AL SD Sgl	BY-SDTRACK	Sliding Door Track
BSWCGTTNP	Bynd Solid Integrated Glass Top Tiles	BY-STILEGLASS	Integrated Glass Tile/ Stacker, Non-Ported
BSWCGTTNPN	Bynd Solid Integtrtd Glass Top Tile w/Int Mt Rail	BY-STILEGLASS	Integrated Glass Tile/ Stacker, Non-Ported
BSWCGTTNPS	Integrated Glass Stacker	BY-STILEGLASS	Integrated Glass Tile/ Stacker, Non-Ported
BSWFTTBCN	Fabric Tack Tiles Base Non-Ported Clrstory	BY-STILEFAB	Fabric-Wrapped Tile, Non-Ported
BSWFTTBNP	Fabric Tack Tiles Base Tiles Non-Ported	BY-STILEFAB	Fabric-Wrapped Tile, Non-Ported
BSWFTTDNP	Fabric Tack Tiles Middle Non-Ported	BY-STILEFAB	Fabric-Wrapped Tile, Non-Ported
BSWFTTMNP	Fabric Tack Tiles Mono Non-Ported	BY-STILEFAB	Fabric-Wrapped Tile, Non-Ported
BSWFTTTNP	Fabric Tack Tiles Top Tiles Non-Ported	BY-STILEFAB	Fabric-Wrapped Tile, Non-Ported
BSWFWTBCN	Fabric Wide Tack Tiles Base Non-Port Clrstory	BY-STILEFAB	Fabric-Wrapped Tile, Non-Ported
BSWFWTBNP	Fabric Wide Tack Tiles Base Tiles Non-Ported	BY-STILEFAB	Fabric-Wrapped Tile, Non-Ported
BSWFWTDNP	Fabric Wide Tack Tiles Middle Non-Ported	BY-STILEFAB	Fabric-Wrapped Tile, Non-Ported
BSWFWTMNP	Fabric Wide Tack Tiles Mono Non-Ported	BY-STILEFAB	Fabric-Wrapped Tile, Non-Ported

SEISMIC ZONES  
 CEILING CONNECTION & FREESTANDING  
 PANEL LEVELING  
 FRAMELESS  
 FRAMED AND SOLID  
 DOORS  
 CABANA  
 VIZ  
 NEW, REVISED, AND DISCONTINUED  
 APPENDIX

MODEL REFERENCE GUIDE

OLD BASE MODEL	OLD DESCRIPTION	NEW BASE MODEL	NEW DESCRIPTION
BSWFWTTNP	Fabric Wide Tack Tiles Top Tiles Non-Ported	BY-STILEFAB	Fabric-Wrapped Tile, Non-Ported
BSWGTLBCN	Glass Tile Base Non-Ported Clerestory	BY-STILEGLASSMB	Glass Marker Board Tile, Non-Ported
BSWGTLDNP	Bynd Sld Glass Tile Mid Tile Non-Ported	BY-STILEGLASSMB	Glass Marker Board Tile, Non-Ported
BSWGTLWMB	BeyondWall-mounted Glass Markerboards	BY-GLASSWALLMB	Wall-Mounted Glass Marker Board
BSWLMTBCN	ByndSld Laminite Mkrbrd Tile Base Non-Prt Clerestry	BY-STILESTEELMB	Steel Marker Board Tile, Non-Ported
BSWLMTDNP	ByndSld Laminite Mrkbrd Tile Middl Tile Non-Ported	BY-STILESTEELMB	Steel Marker Board Tile, Non-Ported
BSWLWTBCN	Bynd Sld Lam Tiles Base Non-Port Clrstry	BY-STILELAM	Laminate Tile, Non-Ported
BSWLWTBNP	Bynd Sld Lam Tiles Base Non-Port	BY-STILELAM	Laminate Tile, Non-Ported
BSWLWTDNP	Bynd Sld Lam Tiles Middle Non-Port	BY-STILELAM	Laminate Tile, Non-Ported
BSWLWTMNP	Bynd Sld Lam Tiles Mono Non-Port	BY-STILELAM	Laminate Tile, Non-Ported
BSWLWTTNP	Bynd Sld Lam Tiles Top Non-Port	BY-STILELAM	Laminate Tile, Non-Ported
BSWNAV8	Int Glass Ported ADA Frame Vertical 8'	BY-SLDPNLFRAME	Solid Panel Frame
BSWNAV9	Int Glass Ported ADA Frame Vertical 9'	BY-SLDPNLFRAME	Solid Panel Frame
BSWNFV7	Non-Powered Solid Wall Frame Vertical 7'	BY-SLDPNLFRAME	Solid Panel Frame
BSWNFV8	Non-Powered Solid Wall Frame Vertical 8'	BY-SLDPNLFRAME	Solid Panel Frame
BSWNFV9	Non-Powered Solid Wall Frame Vertical 9'	BY-SLDPNLFRAME	Solid Panel Frame
BSWNGV8	Int Glass Solid Wall Frame Vertical 8'	BY-SLDPNLFRAME	Solid Panel Frame
BSWNGV9	Bynd Sld Int Glass Solid Wall Frame Vertical 9'	BY-SLDPNLFRAME	Solid Panel Frame
BSWNSV8	Int Glass Ported Ltswitch Frame Vertical 8'	BY-SLDPNLFRAME	Solid Panel Frame
BSWNSV9	Int Glass Ported Ltswitch Frame Vertical 9'	BY-SLDPNLFRAME	Solid Panel Frame
BSWPAV7	Ported ADA HT Solid Wall Frame Vertical 7'	BY-SLDPNLFRAME	Solid Panel Frame
BSWPAV8	Ported ADA Ht Solid Wall Frame Vertical 8'	BY-SLDPNLFRAME	Solid Panel Frame
BSWPAV9	Ported ADA Ht Solid Wall Frame Vertical 9'	BY-SLDPNLFRAME	Solid Panel Frame
BSWPSTBCN	Painted Steel Tiles Base Non-Ported Clerestory	BY-STILESTEEL	Painted Steel Tile, Non-Ported
BSWPSTBNP	Painted Steel Tiles Base Tiles Non-Ported	BY-STILESTEEL	Painted Steel Tile, Non-Ported
BSWPSTDNP	Painted Steel Tiles Middle Tiles Non-Ported	BY-STILESTEEL	Painted Steel Tile, Non-Ported
BSWPSTMNP	Painted Steel Tiles Mono Non-Ported	BY-STILESTEEL	Painted Steel Tile, Non-Ported
BSWPSTTNP	Painted Steel Tiles Top Tiles Non-Ported	BY-STILESTEEL	Painted Steel Tile, Non-Ported
BSWPSV7	Ported Ltswitch Ht Frame Vertical 7'	BY-SLDPNLFRAME	Solid Panel Frame
BSWPSV8	Ported Ltswitch Ht Frame Vertical 8'	BY-SLDPNLFRAME	Solid Panel Frame
BSWPSV9	Ported Ltswitch Ht Frame Vertical 9'	BY-SLDPNLFRAME	Solid Panel Frame
BSWVNTBCN	Bynd Sld Veneer Nat Tile Base Non-Port Clrstry	BY-STILEVEN	Veneer Tile, Non-Ported

SEISMIC ZONES  
 CEILING CONNECTION & FREESTANDING  
 PANEL LEVELING  
 FRAMELESS  
 FRAMED AND SOLID  
 DOORS  
 CABANA  
 VIZ  
 NEW, REVISED, AND DISCONTINUED  
 APPENDIX



MODEL REFERENCE GUIDE

OLD BASE MODEL	OLD DESCRIPTION	NEW BASE MODEL	NEW DESCRIPTION
BSWVNTBNP	Bynd Sld Veneer Natural Tiles Base Non-Port	BY-STILEVEN	Veneer Tile, Non-Ported
BSWVNTMNP	Bynd Sld Veneer Natural Tiles Mono Non-Port	BY-STILEVEN	Veneer Tile, Non-Ported
BSWVSTBCN	Bynd Sld Ven Stratawd Tile Base Non-Port Clrstry	BY-STILEVEN	Veneer Tile, Non-Ported
BSWVSTBNP	Bynd Sld Veneer Stratawd Tile Base Non-Port	BY-STILEVEN	Veneer Tile, Non-Ported
BSWVSTDNP	Bynd Sld Veneer Stratawd Tiles Middle Non-Port	BY-STILEVEN	Veneer Tile, Non-Ported
BSWVSTMNP	Veneer Stratawd Tiles Mono Non-Port	BY-STILEVEN	Veneer Tile, Non-Ported
BSWVSTTNP	Bynd Sld Veneer Stratawd Tiles Top Non-Port	BY-STILEVEN	Veneer Tile, Non-Ported
BYCCCA120	Ceiling Channel - Anodized 120W	BY-CCHANNEL	Standard Ceiling Channel
BYCCCP120	Ceiling Channel - Painted 120W	BY-CCHANNEL	Standard Ceiling Channel
BYCCCW	Ceiling Channel with Wings 120W	BY-CCHANNELW	Enhanced Ceiling Channel
BYCCL	Ceiling Channel Splice Kit - 2-Way	BY-CSPLICE	Ceiling Channel Splice
BYCCMA010	9/16 T Bar Clip 10 pack	BY-CCLIP	Ceiling Grid Clip
BYCCMA100	9/16 T Bar Clip 100 pack	BY-CCLIP	Ceiling Grid Clip
BYCCMB010	15/16 T Bar Clip 10 pack	BY-CCLIP	Ceiling Grid Clip
BYCCMB100	15/16 T Bar Clip 100 pack	BY-CCLIP	Ceiling Grid Clip
BYCCMC010	T Bolt 10 pack	BY-CCLIP	Ceiling Grid Clip
BYCCMC100	T Bolt 100 pack	BY-CCLIP	Ceiling Grid Clip
BYCCMD010	Tegular Spacer 10 pack	BY-CTEGSPACER	Ceiling Grid Tegular Spacer
BYCCMD100	Tegular Spacer 100 pack	BY-CTEGSPACER	Ceiling Grid Tegular Spacer
BYCCME010	9/16 Finline Clip 10 pack	BY-CCLIP	Ceiling Grid Clip
BYCCME100	9/16 Finline Clip 100 pack	BY-CCLIP	Ceiling Grid Clip
BYCCS	Ceiling Channel Splice Kit - Straight	BY-CSPLICE	Ceiling Channel Splice
BYCCW	Ceiling Channel Splice Kit - 3-Way with Wings	BY-CCHANNELW	Enhanced Ceiling Channel
BYCCY	Ceiling Channel Splice Kit - 135 Degree	BY-CSPLICE	Ceiling Channel Splice
BYDFHDGDF	Bynd Door Frame-Hngd Door GL Double Full Ht	BY-HDFRAME	Hinged Door Frame
BYDFHDLSF	Bynd Frmd Door Frame-Hinged WD LH Sgl Full Ht	BY-HDFRAME	Hinged Door Frame
BYDFHDRSF	Bynd Frmd Door Frame-Hinged WD RH Sgl Full Ht	BY-HDFRAME	Hinged Door Frame
BYDFHFWLDF	Bynd Door Frame-Hngd WD/AL Full LH Dbl Full Ht	BY-HDFRAME	Hinged Door Frame
BYDFHFWRDF	Bynd Door Frame-Hngd WD/AL Full RH Dbl Full Ht	BY-HDFRAME	Hinged Door Frame
BYDFHNGSF	Bynd Frmd Door Frame-Hinged GL NoStrike Sgl Full Ht	BY-HDFRAME	Hinged Door Frame
BYDFPPGSF	Bynd Frmd Door Frame-Pivot GL Partial Sgl Full Ht	BY-PDFRAME	Pivot Door Frame
BYDFPPWSF	Bynd FrmdDr Frame-Pivot WD/AL Partial Sgl Full Ht	BY-PDFRAME	Pivot Door Frame
BYDFPSGSF	Bynd Frmd Door Frame-SFIC Pivot GL Sgl Full Ht	BY-PDFRAME	Pivot Door Frame
BYDFSDDDF	Door Frame-Sliding Door Double Full Ht	BY-SDFRAME	Sliding Door Frame
BYDFSDDSF	Door Frame-Sliding Door, Single Full Ht	BY-SDFRAME	Sliding Door Frame
BYDFSDDSF48	Door Frame-48" Sliding Door, Single Full Ht	BY-SDFRAME	Sliding Door Frame
BYDFSGLSF	Bynd Door Frame-Sldg Full GL LH Sgl Full Ht	BY-SDFRAME	Sliding Door Frame
BYDFSGRSF	Bynd Door Frame-Sldg Full GL RH Sgl Full Ht	BY-SDFRAME	Sliding Door Frame
BYDFSFWLSF	Bynd Door Frame-Sldg Full WD/AL LH Sgl Full Ht	BY-SDFRAME	Sliding Door Frame
BYDFSFWLSF48	48"Door Frame-Sliding, Full, WD/AL, LH Single Full Ht	BY-SDFRAME	Sliding Door Frame
BYDFSFWRSF	Bynd Door Frame-Sldg Full WD/AL RH Sgl Full Ht	BY-SDFRAME	Sliding Door Frame
BYDFSFWRSF48	48"Door Frame-Sliding, Full, WD/AL, RH Single Full Ht	BY-SDFRAME	Sliding Door Frame

SEISMIC ZONES  
CEILING CONNECTION & FREESTANDING  
PANEL LEVELING  
FRAMELESS  
FRAMED AND SOLID  
DOORS  
CABANA  
VIZ  
NEW, REVISED, AND DISCONTINUED  
APPENDIX

MODEL REFERENCE GUIDE

OLD BASE MODEL	OLD DESCRIPTION	NEW BASE MODEL	NEW DESCRIPTION
BYDLFGS	Bynd Door lock full strike plate GL Sldg doors	BY-SLIDINGFSLOCK	Full Strike Sliding Door Lock
BYDLFWS	Bynd Door lock full strike WD/AL Sldg doors	BY-SLIDINGFSLOCK	Full Strike Sliding Door Lock
BYDSWD	Beyond Drop Seal for Wood Doors	BY-SLDBTMSEAL	Solid Hinged Door Bottom Seal
BYHDAFLDF	Bynd Hngd Door Alum Full Left DBL Full Ht	BY-ALHDLEAF	Aluminum Framed Glass Hinged Door Leaf
BYHDAFRDF	Bynd Hngd Door Alum Full Right DBL Full Ht	BY-ALHDLEAF	Aluminum Framed Glass Hinged Door Leaf
BYHDASFL	Bynd Door - Hngd Alum Sgl Full Ht LH	BY-ALHDLEAF	Aluminum Framed Glass Hinged Door Leaf
BYHDASFR	Bynd Door - Hngd Alum Sgl Full Ht RH	BY-ALHDLEAF	Aluminum Framed Glass Hinged Door Leaf
BYHDGDF	Bynd Door - Hngd Door GL Dbl Full Ht	BY-FGHDLEAF	Frameless Glass Hinged Door Leaf
BYHDGSF	Bynd Door - Hngd Door GL Sgl Full Ht	BY-FGHDLEAF	Frameless Glass Hinged Door Leaf
BYHDWFLDF	Bynd Hngd Door Wood Full Left DBL Full Ht	BY-SLDHDLEAF	Solid Hinged Door Leaf
BYHDWFRDF	Bynd Hngd Door Wood Full Right DBL Full Ht	BY-SLDHDLEAF	Solid Hinged Door Leaf
BYHDWSFL	Bynd Frmd Hinged Door Sgl Full Ht LH	BY-SLDHDLEAF	Solid Hinged Door Leaf
BYHDWSFR	Bynd Frmd DHinged Door Sgl Full Ht RH	BY-SLDHDLEAF	Solid Hinged Door Leaf
BFGSDMKD	Beyond Sliding Door Mt Kit-Dbl BFG	BY-SDMOUNT	Frameless Glass Panel Sliding Door Mount
BFGSDMK5	Beyond Sliding Door Mtng Kit-Single BFG	BY-SDMOUNT	Frameless Glass Panel Sliding Door Mount
BYMHSDDG	Beyond Mt Hrdw-Door Track Glass SD Dbl	BY-SDTRACK	Sliding Door Track
BYMHSDDGS	Bynd Mt Hardwre-Door Track Glass SD SGL	BY-SDTRACK	Sliding Door Track
BYMHSDDWD	Beyond Mt Hrdw-Door Track WD/AL SD Dbl	BY-SDTRACK	Sliding Door Track
BYMHSDDWS	Bynd Mt Hardwre-Door Track Wd/Al SD SGL	BY-SDTRACK	Sliding Door Track
BYMHSDFGS	Beyond Mt Hardwr-Door Track FS Glass SD-SGL	BY-SDTRACK	Sliding Door Track
BYMHSDFWS	Beyond Mt Hardwr-Door Track FS Wd/Al SD-SGL	BY-SDTRACK	Sliding Door Track
BYPDAPSSF	Bynd Door - Ctr Piv Dr Alum Partial Sgl Full Ht	BY-ALPDLEAF	Aluminum Framed Glass Pivot Door Leaf
BYPDGSF	Bynd Frmd Center Pivot Door Glass Sgl Full Ht	BY-FGPDLEAF	Frameless Glass Pivot Door Leaf
BYPDWPSSF	Bynd Frmd Ctr Pivot Door Wood Partial Sgl Full Ht	BY-SLDPDLEAF	Solid Pivot Door Leaf
BYPSGSF	Bynd Door - Center Pivot SFIC GL Sgl Full Ht	BY-FGPDLEAF	Frameless Glass Pivot Door Leaf
BYSDADF	Bynd Door - Sldg Door Alum Dbl Full Ht	BY-ALSDLEAF	Aluminum Framed Glass Sliding Door Leaf
BYSDAS742	Beyond Door - Sliding Door Alum Sgl 7 Ht 42W	BY-ALSDLEAF	Aluminum Framed Glass Sliding Door Leaf
BYSDAS748	Beyond Door - Sliding Door Alum Sgl 7 Ht 48W	BY-ALSDLEAF	Aluminum Framed Glass Sliding Door Leaf
BYSDASF	Bynd Door - Sldg Door Alum Sgl Full Ht	BY-ALSDLEAF	Aluminum Framed Glass Sliding Door Leaf
BYSDASF48	Bynd Door - 48" Sldg Door Alum Sgl Full Ht	BY-ALSDLEAF	Aluminum Framed Glass Sliding Door Leaf

MODEL REFERENCE GUIDE

OLD BASE MODEL	OLD DESCRIPTION	NEW BASE MODEL	NEW DESCRIPTION
BYSDGDST	Beyond Frmd Sldg Door Glss Door Seal-TrailEdge	BY-FGTRAILINGSEAL	Frameless Glass Door Trailing Edge Seal
BYSDGS742	Beyond Door - Sliding Door Glass Sgl 7 Ht 42W	BY-FGSDLEAF	Frameless Glass Sliding Door Leaf
BYSDGS748	Beyond Door - Sliding Door Glass Sgl 7 Ht 48W	BY-FGSDLEAF	Frameless Glass Sliding Door Leaf
BYSDGTDF	Bynd Door - Sldg Door GL 3/8 Dbl Full Ht	BY-FGSDLEAF	Frameless Glass Sliding Door Leaf
BYSDGTFK	Beyond Footer Kit for Std Sliding Glass Door	BY-FGSDFOOTER	Frameless Glass Sliding Door Bottom Seal
BYSDGTSF	Bynd Frmd Sldg Door Glass 3/8 Sgl Full Ht	BY-FGSDLEAF	Frameless Glass Sliding Door Leaf
BYSDGTSFF	Beyond Door - Sliding Glass w/Footer 3/8 Sgl Full Ht	BY-FGSDLEAF	Frameless Glass Sliding Door Leaf
BYSDWDF	Bynd Door - Sldg Door Wood Dbl Full Ht	BY-SLDSLEAF	Solid Sliding Door Leaf
BYSDWS742	Beyond Door - Sliding Door Wood Sgl 7 Ht 42W	BY-SLDSLEAF	Solid Sliding Door Leaf
BYSDWS748	Beyond Door - Sliding Door Wood Sgl 7 Ht 48W	BY-SLDSLEAF	Solid Sliding Door Leaf
BYSDWSF	Bynd Frmd Sldg Door Wood Sgl Full Ht	BY-SLDSLEAF	Solid Sliding Door Leaf
BYSFASF	Bynd Door - Sliding Full Strike Alum Sgl Full Ht	BY-ALSDLEAF	Aluminum Framed Glass Sliding Door Leaf
BYSFASF48	ByndDoor - 48 Sliding Full Strike Alum Sgl Full Ht	BY-ALSDLEAF	Aluminum Framed Glass Sliding Door Leaf
BYSGTFK	Beyond Footer Kit w/Drop De-emp 7/1/19 Seal Full Strk Sldg G	BY-FGSDFOOTER	Frameless Glass Sliding Door Bottom Seal
BYSGTFKN	Adjustable Footer Kit - Full Strk Sldg Gl Door	BY-FGSDFOOTER	Frameless Glass Sliding Door Bottom Seal
BYSGTFSF	Bynd Door - Sldg Full Strike GL 3/8 Sgl Full Ht	BY-FGSDLEAF	Frameless Glass Sliding Door Leaf
BYSGTFSFF	Beyond Door - Sliding Glass w/Footer 3/8 Sgl Full Ht	BY-FGSDLEAF	Frameless Glass Sliding Door Leaf
BYSFWSF	Bynd Door - Sldg Full Strike Wood Sgl Full Ht	BY-SLDSLEAF	Solid Sliding Door Leaf
APCHHDGS	AP Hinged Door Hardware Kit - Glass Single	BY-HINGEDMOUNT / AS-HINGEDMOUNT	Hinged Door Mounting Hardware (Beyond / Aspect)
APCHHDGS	AP Hinged Door Hardware Kit - Glass Single	BY-HINGEDMOUNT / AS-HINGEDMOUNT	Hinged Door Mounting Hardware (Beyond / Aspect)
APCMC	Magnetic Catch	BY-MAGCATCH / AS-MAGCATCH	Magnetic Catch (Beyond / Aspect)
BFGWMK	Worksurface Mounting Kit-2 Brackets De-emp5/2019	Discontinued 12/31/2020	Discontinued 12/31/2020
BFGWTKTV	Wall Tile Kit-TV Mount Parts	BY-FGRTRIMKIT	Rail-Mounted Privacy Trim Kit
BFSIB	Bynd - Freestanding Boomerang Bracket	BY-BOOMBRACKET	Boomerang Bracket
BFSRTV	Bynd Frmd/Solid Int Rail TV Mtg Bracket	BY-TVBRACKET	TV Mounting Bracket
BYDLGP	Door Lever - GL Pivot Door	BY-LEVER / AS-LEVER	Cylindrical Lockset (Beyond / Aspect)
BYDLSGP	Bynd Door Lever 7-pin SFIC GL Pivot Door	BY-LEVER / AS-LEVER	Cylindrical Lockset (Beyond / Aspect)

SEISMIC ZONES  
CEILING CONNECTION & FREESTANDING  
PANEL LEVELING  
FRAMELESS  
FRAMED AND SOLID  
DOORS  
CABANA  
VIZ  
NEW, REVISED, AND DISCONTINUED  
APPENDIX

MODEL REFERENCE GUIDE

OLD BASE MODEL	OLD DESCRIPTION	NEW BASE MODEL	NEW DESCRIPTION
BYDLW	Door Lever - WD Door	BY-LEVER / AS-LEVER	Cylindrical Lockset (Beyond / Aspect)
BYDSD	Door Stop - Dome Floor Mounted	BY-DOMESTOP / AS-DOMESTOP	Dome Door Stop (Beyond / Aspect)
BYDSF	Door Stop - Floor Mounted	BY-CYLSTOP / AS-CYLSTOP	Cylindrical Door Stop (Beyond / Aspect)
BYLPG12	Door Pull - 12"Ladder Pull GL Door	BY-PULL12 / AS-PULL12	12" Ladder Pull (Beyond / Aspect)
BYLPG60	Door Pull - Ladder Pull GL Door	BY-PULL60 / AS-PULL60	60" Ladder Pull (Beyond / Aspect)
BYLPG72	Door Pull - Ladder Pull GL Door	<b>DISCONTINUED 12/31/2020</b>	
BYLPW12	Door Pull - Ladder Pull WD/AL Door	BY-PULL12 / AS-PULL12	12" Ladder Pull (Beyond / Aspect)
BYLPW60	Door Pull - 60H Ladder Pull WD/AL Door	BY-PULL60 / AS-PULL60	60" Ladder Pull (Beyond / Aspect)
BYLPW72	Door Pull - 72H Ladder Pull WD/AL Door	<b>DISCONTINUED 12/31/2020</b>	
BYMHHGDG	Bynd Mounting Hdwr GL Hngd Dbl	BY-HINGEDMOUNT / AS-HINGEDMOUNT	Hinged Door Mounting Hardware (Beyond / Aspect)
BYMHHGDS	Bynd Mounting Hdwr GL Hngd Sgl	BY-HINGEDMOUNT / AS-HINGEDMOUNT	Hinged Door Mounting Hardware (Beyond / Aspect)
BYMHHDWD	Bynd Mounting Hdwr WD/AL Hngd Dbl	BY-HINGEDMOUNT / AS-HINGEDMOUNT	Hinged Door Mounting Hardware (Beyond / Aspect)
BYMHHDWS	Bynd Frmd Mounting Hardware WD/AL Hinged Sgl	BY-HINGEDMOUNT / AS-HINGEDMOUNT	Hinged Door Mounting Hardware (Beyond / Aspect)
BYMHPDAS	Bynd Mounting Hdwr Pivot Door AL Sgl	BY-PIVOTMOUNT / AS-PIVOTMOUNT	Pivot Door Mounting Hardware (Beyond / Aspect)
BYMHPDWS	Bynd Frmd Mounting Hardware Pivot Door WD Sgl	BY-PIVOTMOUNT / AS-PIVOTMOUNT	Pivot Door Mounting Hardware (Beyond / Aspect)
BYMHPGPS	Bynd Frmd Mounting Hardware GL Pivot Partial Sgl	BY-PIVOTMOUNT / AS-PIVOTMOUNT	Pivot Door Mounting Hardware (Beyond / Aspect)
BYPTO	Bynd Freeway Opening	BY-FREEWAY	Freeway Opening
BYRPG	Door Pull - 20H Ladder Pull GL Door	BY-PULL20 / AS-PULL20	20" Ladder Pull (Beyond / Aspect)
BYRPW	Door Pull - 20H Ladder Pull WD/AL Door	BY-PULL20 / AS-PULL20	20" Ladder Pull (Beyond / Aspect)
BYTVB	TV Mounting Bracket	BY-FGTVBRACKET	TV Mounting Bracket
NFHDHKD	Wood Hinged Door Hardware Kit - Double	BY-HINGEDMOUNT / AS-HINGEDMOUNT	Hinged Door Mounting Hardware (Beyond / Aspect)

SEISMIC ZONES  
 CEILING CONNECTION & FREESTANDING  
 PANEL LEVELING  
 FRAMELESS  
 FRAMED AND SOLID  
 DOORS  
 CABANA  
 VIZ  
 NEW, REVISED, AND DISCONTINUED  
 APPENDIX

MODEL REFERENCE GUIDE

OLD BASE MODEL	OLD DESCRIPTION	NEW BASE MODEL	NEW DESCRIPTION
NFHDHKS	Wood Hinged Door Hardware Kit - Single	BY-HINGEDMOUNT / AS-HINGEDMOUNT	Hinged Door Mounting Hardware (Beyond / Aspect)
NFHDSG	Frameless Glass Door - Hinged Single	BY-FGHDLEAF / AS-FGHDLEAF	Hinged Door Mounting Hardware (Beyond / Aspect)
NFPDHKG	Pivot Door Hardware Kit - Glass	BY-PIVOTMOUNT / AS-PIVOTMOUNT	Pivot Door Mounting Hardware (Beyond / Aspect)
NFPDLG	Frameless Glass Pivot Door Lever	BY-LEVER / AS-LEVER	Cylindrical Lockset (Beyond / Aspect)
BYHDGDFR	Door - Hinged Door Glass Dbl Full Ht	BY-FGHDLEAF	Frameless Glass Hinged Door Leaf
BYHDGSFR	Door - Hinged Door Glass Sgl Full Ht	BY-FGHDLEAF	Frameless Glass Hinged Door Leaf
BYSDADFR	Door - Sliding Door Alum Dbl Full Ht	BY-ALSDLEAF	Aluminum Framed Glass Sliding Door Leaf
BYSDAS742R	Door - Sliding Door Alum Sgl 7 Ht 42W	BY-ALSDLEAF	Aluminum Framed Glass Sliding Door Leaf
BYSDAS748R	Door - Sliding Door Alum Sgl 7 Ht 48W	BY-ALSDLEAF	Aluminum Framed Glass Sliding Door Leaf
BYSDASF48R	Door - 48" Sliding Door Alum Sgl Full Ht	BY-ALSDLEAF	Aluminum Framed Glass Sliding Door Leaf
BYSDASFR	Door - Sliding Door Alum Sgl Full Ht	BY-ALSDLEAF	Aluminum Framed Glass Sliding Door Leaf
BYSDGS742R	Door - Sliding Door Glass Sgl 7 Ht 42W	BY-FGSDLEAF	Frameless Glass Sliding Door Leaf
BYSDGS748R	Door - Sliding Door Glass Sgl 7 Ht 48W	BY-FGSDLEAF	Frameless Glass Sliding Door Leaf
BYSDGTDFR	Door - Sliding Door Glass 3/8 Dbl Full Ht	BY-FGSDLEAF	Frameless Glass Sliding Door Leaf
BYSDGTSFFR	Door - Sliding Glass w/Footer 3/8 Sgl Full Ht	BY-FGSDLEAF	Frameless Glass Sliding Door Leaf
BYSDGTSFR	Door - Sliding Door Glass 3/8 Sgl Full Ht	BY-FGSDLEAF	Frameless Glass Sliding Door Leaf
BYSDWDFR	Door - Sliding Door Wood Dbl Full Ht	BY-SLSDLEAF	Solid Sliding Door Leaf
BYSDWS742R	Beyond Door - Sliding Door Wood Sgl 7 Ht 42W	BY-SLSDLEAF	Solid Sliding Door Leaf
BYSDWS748R	Beyond Door - Sliding Door Wood Sgl 7 Ht 48W	BY-SLSDLEAF	Solid Sliding Door Leaf
BYSDWSFR	Door - Sliding Door Wood Sgl Full Ht	BY-SLSDLEAF	Solid Sliding Door Leaf
BYSFASF48R	Door - 48 Sliding Full Strike Alum Sgl Full Ht	BY-ALSDLEAF	Aluminum Framed Glass Sliding Door Leaf
BYSFASFR	Door - Sliding Full Strike Alum Sgl Full Ht	BY-ALSDLEAF	Aluminum Framed Glass Sliding Door Leaf
BYSGTSFFR	Door - Sldg Full Strk Gls Footer 3/8 Sgl Full Ht	BY-FGSDLEAF	Frameless Glass Sliding Door Leaf
BYSGTSFR	Door - Sliding Full Strike Glass 3/8 Sgl Full Ht	BY-FGSDLEAF	Frameless Glass Sliding Door Leaf
BYFWSFR	Door - Sliding Full Strike Wood Sgl Full Ht	BY-SLSDLEAF	Solid Sliding Door Leaf

SEISMIC ZONES  
 CEILING CONNECTION & FREESTANDING  
 PANEL LEVELING  
 FRAMELESS  
 FRAMED AND SOLID  
 DOORS  
 CABANA  
 VIZ  
 NEW, REVISED, AND DISCONTINUED  
 APPENDIX

MODEL REFERENCE GUIDE

OLD BASE MODEL	OLD DESCRIPTION	NEW BASE MODEL	NEW DESCRIPTION
NFHDSGR	Frameless Glass Door - Hinged, Single	BY-FGHDLEAF / AS-FGHDLEAF	Hinged Door Mounting Hardware (Beyond / Aspect)
BYPSGSFR	Door - Center Pivot SFIC Glass Sgl Full Ht	BY-FGPDLEAF	Frameless Glass Pivot Door Leaf
BYDFPPGSFMC	Door Frame-Pivot GL Partial, Sgl, Full Ht with Magnetic Catch	BY-PDFRAME	Pivot Door Frame
BYPDGSFMCR	Door - Center Pivot Door Glass Sgl Full Ht with Magnetic Catch	BY-PDFRAME	Pivot Door Frame
BFSFMTV	Flush TV Mounting Bracket (Black Only)	BY-TVBRACKET	TV Mounting Bracket
BFSVHMTV	Variable Height TV Mounting Bracket (Black Only)	BY-TVBRACKET	TV Mounting Bracket
BSWPSTMPA	Painted Steel Tiles Monolithic Ported 18" AFF	BY-SPTILESTEEL	Painted Steel Tile, Ported
BSWPSTMPS	Painted Steel Tiles Monolithic Ported 42" AFF	BY-SPTILESTEEL	Painted Steel Tile, Ported
BSWPSTDPS	Painted Steel Middle Tiles Ported 42" AFF	BY-SPTILESTEEL	Painted Steel Tile, Ported
BSWPSTBPA	Painted Steel Base Tiles Ported 18" AFF	BY-SPTILESTEEL	Painted Steel Tile, Ported
BSWFTTMPA	Fabric-Wrapped Tackable Tiles Monolithic Ported 18" AFF	BY-SPTILEFAB	Fabric-Wrapped Tile, Ported
BSWFTTMPS	Fabric-Wrapped Tackable Tiles Monolithic Ported 42" AFF	BY-SPTILEFAB	Fabric-Wrapped Tile, Ported
BSWFWTMPA	Fabric-Wrapped Wide Tackable Tiles Monolithic Ported 18" AFF	BY-SPTILEFAB	Fabric-Wrapped Tile, Ported
BSWFWTMPS	Fabric-Wrapped Wide Tackable Tiles Monolithic Ported 42" AFF	BY-SPTILEFAB	Fabric-Wrapped Tile, Ported
BSWFTTDPS	Fabric-Wrapped Tackable Middle Tiles Ported 42" AFF	BY-SPTILEFAB	Fabric-Wrapped Tile, Ported
BSWFWDTPS	Fabric-Wrapped Wide Tackable Middle Tiles Ported 42" AFF	BY-SPTILEFAB	Fabric-Wrapped Tile, Ported
BSWFTTBPA	Fabric-Wrapped Tackable Base Tiles Ported 18" AFF	BY-SPTILEFAB	Fabric-Wrapped Tile, Ported
BSWFWTBPA	Fabric-Wrapped Wide Tackable Base Tiles Ported 18" AFF	BY-SPTILEFAB	Fabric-Wrapped Tile, Ported
SPLW Model	Special	BY-SPTILEVEN	Veneer Tile, Ported
SPLW Model	Special	BY-SPTILELAM	Laminate Tile, Ported
BFG-AE4-PE144C	ELEC INFEED 144IN	BY-FG4INFEED	In-Feed, 4-Wire
BFG-AE4-PE216C	BYND ELEC INFEED PVC	BY-FG4INFEED	In-Feed, 4-Wire
BFG-AE4-PE72C	ELEC INFEED 72IN	BY-FG4INFEED	In-Feed, 4-Wire
BFG-AE4-SWDD1	BYND 4 TRC DPLX CR 1	BY-FG4DUPLEX	Duplex, 4-Wire
BFG-AE4-SWDD2	BYND 4 TRC DPLX CR 2	BY-FG4DUPLEX	Duplex, 4-Wire
BFGURFELP	BEYOND FINSHD END LP	BY-FSEND	Framed/Solid Finished End
BSWFTTBCA	FABRIC TL PRT CLRSTY	BY-SPTILEFAB	Fabric-Wrapped Tile, Ported
BSWFTTBCS	FABRIC TL PRT CLRSTY	BY-SPTILEFAB	Fabric-Wrapped Tile, Ported
BSWFWTBCA	FABRC WD TL PRT CLST	BY-SPTILEFAB	Fabric-Wrapped Tile, Ported
BSWFWTBCS	FABRC WD TL PRT CLST	BY-SPTILEFAB	Fabric-Wrapped Tile, Ported
BSWPSTBCA	STEEL TL PRTD CLRSTY	BY-SPTILESTEEL	Painted Steel Tile, Ported

MODEL REFERENCE GUIDE

OLD BASE MODEL	OLD DESCRIPTION	NEW BASE MODEL	NEW DESCRIPTION
BSWPSTBCS	STEEL TL PRTD CLRSTY	BY-SPTILESTEEL	Painted Steel Tile, Ported
BSWPSTMPS	STEEL TILE PRTD MONO	BY-SPTILESTEEL	Painted Steel Tile, Ported
N/A	N/A	BY-SLDPANEL	Solid Panel Assembly
APCHHDGS	AP Hinged Door Hardware Kit - Glass Single	BY-HINGEDMOUNT / AS-HINGEDMOUNT	Hinged Door Mounting Hardware (Beyond / Aspect)
APCHHDGS	AP Hinged Door Hardware Kit - Glass Single	BY-HINGEDMOUNT / AS-HINGEDMOUNT	Hinged Door Mounting Hardware (Beyond / Aspect)
APCMC	Magnetic Catch	BY-MAGCATCH / AS-MAGCATCH	Magnetic Catch (Beyond / Aspect)
APCHPDLG	AP Center Swing Pivot Glass Door Lever	BY-LEVER / AS-LEVER	Cylindrical Lockset (Beyond / Aspect)
APCHPDLG	AP Center Swing Pivot Glass Door Lever	BY-LEVER / AS-LEVER	Cylindrical Lockset (Beyond / Aspect)
APCHDLW	AP Wood / Aluminum Framed Door Lever	BY-LEVER / AS-LEVER	Cylindrical Lockset (Beyond / Aspect)
APCHDSD	AP Door Stop	BY-DOMESTOP / AS-DOMESTOP	Dome Door Stop (Beyond / Aspect)
APCHDSF	AP Door Stop	BY-CYLSTOP / AS-CYLSTOP	Cylindrical Door Stop (Beyond / Aspect)
APCHLPG12	12" Pull - Glass	BY-PULL12 / AS-PULL12	12" Ladder Pull (Beyond / Aspect)
APCHLP60	60" Pull	BY-PULL60 / AS-PULL60	60" Ladder Pull (Beyond / Aspect)
APCHLPW12	12" Pull - Wood	BY-PULL12 / AS-PULL12	12" Ladder Pull (Beyond / Aspect)
APCHLP60	60" Pull	BY-PULL60 / AS-PULL60	60" Ladder Pull (Beyond / Aspect)
APCHHDGD	AP Hinged Door Hardware Kit - Glass, Double	BY-HINGEDMOUNT / AS-HINGEDMOUNT	Hinged Door Mounting Hardware (Beyond / Aspect)
APCHHDGS	AP Hinged Door Hardware Kit - Glass, Single	BY-HINGEDMOUNT / AS-HINGEDMOUNT	Hinged Door Mounting Hardware (Beyond / Aspect)
APCHDWD	AP Hinged Door Mounting Hardware - Wood / Aluminum Framed, Double	BY-HINGEDMOUNT / AS-HINGEDMOUNT	Hinged Door Mounting Hardware (Beyond / Aspect)
APCHDWS	AP Hinged Door Mounting Hardware - Wood / Aluminum Framed, Single	BY-HINGEDMOUNT / AS-HINGEDMOUNT	Hinged Door Mounting Hardware (Beyond / Aspect)
APCHPDAS	Center Swing Pivot Aluminum Framed Glass Door Mounting Hardware, Single Door	BY-PIVOTMOUNT / AS-PIVOTMOUNT	Pivot Door Mounting Hardware (Beyond / Aspect)
APCHPDWS	Center Swing Pivot Solid Door Mounting Hardware, Single Door	BY-PIVOTMOUNT / AS-PIVOTMOUNT	Pivot Door Mounting Hardware (Beyond / Aspect)
APCHPDGPS	AP Center Swing Pivot Mounting Hardware	BY-PIVOTMOUNT / AS-PIVOTMOUNT	Pivot Door Mounting Hardware (Beyond / Aspect)

SEISMIC ZONES  
 CEILING CONNECTION & FREESTANDING  
 PANEL LEVELING  
 FRAMELESS  
 FRAMED AND SOLID  
 DOORS  
 CABANA  
 VIZ  
 NEW, REVISED, AND DISCONTINUED  
 APPENDIX

MODEL REFERENCE GUIDE

OLD BASE MODEL	OLD DESCRIPTION	NEW BASE MODEL	NEW DESCRIPTION
APCHLP20	20" Pull	BY-PULL20 / AS-PULL20	20" Ladder Pull (Beyond / Aspect)
APCHLP20	20" Pull	BY-PULL20 / AS-PULL20	20" Ladder Pull (Beyond / Aspect)
APCHDWD	AP Hinged Door Mounting Hardware - Wood / Aluminum Framed, Double	BY-HINGEDMOUNT / AS-HINGEDMOUNT	Hinged Door Mounting Hardware (Beyond / Aspect)
APCHDWS	AP Hinged Door Mounting Hardware - Wood / Aluminum Framed, Single	BY-HINGEDMOUNT / AS-HINGEDMOUNT	Hinged Door Mounting Hardware (Beyond / Aspect)
APCHHDGS	AP Hinged Door Hardware Kit - Glass, Single	BY-HINGEDMOUNT / AS-HINGEDMOUNT	Hinged Door Mounting Hardware (Beyond / Aspect)
APCHPDGPS	hinged Door Frame	BY-PIVOTMOUNT / AS-PIVOTMOUNT	Pivot Door Mounting Hardware (Beyond / Aspect)
APCHPDLG	AP Center Swing Pivot Glass Door Lever	BY-LEVER / AS-LEVER	Cylindrical Lockset (Beyond / Aspect)
APCHHDGS	AP Hinged Door Hardware Kit - Glass, Single	BY-HINGEDMOUNT / AS-HINGEDMOUNT	Hinged Door Mounting Hardware (Beyond / Aspect)
APCHLP49	49" Pull	BY-PULL49 / AS-PULL49	49" Ladder Pull (Beyond / Aspect)



## SPECIFICATION AND PRICING\*

### Beyond Budgeting Tool

Website: <https://www.allsteelsynergy.com/Pages/BeyondBudgetingTool.aspx>

Create real time product and freight budgets with ease using this online tool – no need for the Design Intake Form! Designed to build storefront applications between either drywall or Beyond solid walls, the tool uses simple inputs to generate an estimated bill of materials behind the scenes for accurate and consistent budget pricing. Product specifications include standard finishes and hardware. Pricing is net to the dealer, excluding installation.

### Special Pricing Application

Website: <https://www.allsteelsynergy.com/PricingProposals/BidPricing/SpecialPricingForm/Pages/SpecialPricingForm.aspx>

Utilize the Architectural Products Special Pricing Application to request project discounting. Send completed form with project drawings and bill of materials to [AllsteelBids@allsteeloffice.com](mailto:AllsteelBids@allsteeloffice.com).

### Allsteel Design Intake Form

Website: <https://www.allsteelsynergy.com/Pages/ASIDIntakeForm.aspx>

Request and schedule Allsteel design support, audit or consultation services using the Design Intake Form. Communicate project details, scope and specifications, as well as attach files for design review.

### Literature and Samples

Website: [www.allsteeladvantage.com](http://www.allsteeladvantage.com)

Order printed literature, materials, and finish samples for Beyond.

## TRAINING

Website: [www.allsteelsynergy.com](http://www.allsteelsynergy.com)

Allsteel University provides several Architectural Products online and instructor-led training opportunities. Please access Allsteel University on Synergy to sign up for online modules and instructor-led courses on product, design or project lifecycle processes. Additional instructional materials are available on Synergy.

### Installation

Website: [www.HNIPProductInstall.com](http://www.HNIPProductInstall.com)

Access installation resources such as instructional videos, installation and punch guides, checklists, standard work, Installation Certification Program requirements, Installation Network Listing, and more!

### Other Synergy Resources

Website: [www.allsteelsynergy.com](http://www.allsteelsynergy.com)

- Case studies
- Environmental information
- Engineering specifications
- Hardware cut sheets
- Product imagery
- Product literature (sell sheets, product cards, brochures)
- Sales presentations
- Technical information

## CONTACTS

Order Management: [ArchProducts@allsteeloffice.com](mailto:ArchProducts@allsteeloffice.com)

Pricing: [AllsteelBids@allsteeloffice.com](mailto:AllsteelBids@allsteeloffice.com)

Design: [ASIDesignAP@allsteeloffice.com](mailto:ASIDesignAP@allsteeloffice.com)

Synergy: [SynergySupport@hnicorp.com](mailto:SynergySupport@hnicorp.com)

CET Designer: [CETSupport@allsteeloffice.com](mailto:CETSupport@allsteeloffice.com)

Tailored Products Group:

[ARCHITECTURAL-PE@allsteeloffice.com](mailto:ARCHITECTURAL-PE@allsteeloffice.com)

*\*Disclaimer: Many of the resources listed are available only to approved dealers who are participating in the Allsteel Architectural Projects Dealer Certification Program.*

SEISMIC ZONES  
 CEILING CONNECTION & FREESTANDING  
 PANEL LEVELING  
 FRAMELESS  
 FRAMED AND SOLID  
 DOORS  
 CABANA  
 VIZ  
 NEW, REVISED, AND DISCONTINUED  
 APPENDIX

For use with Solid Wall Tackable Fabric Tiles and Privacy Tile Tackable Fabric Tiles

## GRADE A

### APPOINT PANEL

Artichoke.....	APN911
Blackberry.....	APN932
Bronze.....	APN922
Carbon.....	APN928
Chai.....	APN912
Cherry.....	APN930
Dark Pewter.....	APN917
Dune.....	APN915
Espresso.....	APN923
Framboise.....	APN931
Frost.....	APN934
Jet.....	APN927
Lawn.....	APN925
Mandarin.....	APN929
Morel.....	APN909
Nimbus.....	APN916
Platinum.....	APN924
Turquoise.....	APN926

### BINARY

Blush.....	BNRY12
Coal.....	BNRY06
Cream.....	BNRY01
Denim.....	BNRY08
Diamond.....	BNRY03
Graphite.....	BNRY05
Juniper.....	BNRY10
Lagoon.....	BNRY07
Lavendar.....	BNRY11
Mineral.....	BNRY04
Reef.....	BNRY09
Sand Dollar.....	BNRY02

### CIRCUIT

Atlas.....	CIRC35
Dolphin.....	CIRC63
Island White.....	CIRC14
Moon.....	CIRC07
Night.....	CIRC49
Pacific.....	CIRC28
Quartz.....	CIRC01
Sienna.....	CIRC56
Silk.....	CIRC21
Snap Pea.....	CIRC42

### ETCH

Axis.....	ECH913
Blend.....	ECH914
Cast.....	ECH912
Highlight.....	ECH910
Midtone.....	ECH911
Outline.....	ECH908
Shade.....	ECH909
Tonal.....	ECH916
Vanish.....	ECH915

### EXCHANGE

Iron.....	EXG916
Nickel.....	EXG914
Pistachio.....	EXG910
Root.....	EXG913
Rupee.....	EXG903
Shadow.....	EXG911
Silver.....	EXG915
Sisal.....	EXG917
Stone.....	EXG912

### LANDSCAPE

Corn silk.....	LN15
Drift.....	LN05
Khaki.....	LN20
Sheen.....	LN10
Slate.....	LN35
Umber.....	LN25
Urban.....	LN30

## GRADE A – continued

### LUCY

Aspen.....	LC932
Corn silk.....	LC930
Dusk.....	LC922
Fawn.....	LC933
Graphite.....	LC934
Mist.....	LC920
Neutra.....	LC924
Pewter.....	LC935
Snowdrop.....	LC928

### NOBLE

Aspen.....	NBLE14
Bordeaux.....	NBLE01
Brick.....	NBLE02
Chambray.....	NBLE10
Clementine.....	NBLE04
Dawn.....	NBLE13
Denim.....	NBLE09
Grass.....	NBLE07
Gunmetal.....	NBLE15
Harvest.....	NBLE12
Jade.....	NBLE06
Knight.....	NBLE17
Mesa.....	NBLE03
Pacific.....	NBLE08
Rainforest.....	NBLE05
Regal.....	NBLE11
Stormy.....	NBLE16

### REFLECTIONS

Galvanized.....	REF929
Ice.....	REF920
Loggia.....	REF921
Mistral.....	REF928
Moonstone.....	REF923
Pewter.....	REF922
Stainless.....	REF924
Vanilla.....	REF925
Winter.....	REF927

### REFUGE

Artesian.....	RFG996
Dune.....	RFG992
Eclipse.....	RFG990
Frost.....	RFG993
Glacier.....	RFG991
Mineral.....	RFG998
Tidal.....	RFG994

### SARTO

Ash.....	SRT988
Fog.....	SRT914
Lemongrass.....	SRT949
Mist.....	SRT945
Mushroom.....	SRT976
Oyster.....	SRT918
Reef.....	SRT964
Sesame.....	SRT993
Shale.....	SRT952

### TEMPEST

Dragonfly.....	TP930
Frost.....	TP915
Full Stream.....	TP980
Gold Rush.....	TP910
Slate.....	TP945
Tumbleweed.....	TP970
Wind Chill.....	TP940
Zebra.....	TP935

## GRADE B

### COAST

Channel.....	COA914
Dune.....	COA903
Headlands.....	COA910
Marsh.....	COA902
Pebble.....	COA912
Pier.....	COA913
Shoal.....	COA901
Silt.....	COA906
Tide.....	COA908

### DISPERSE

Autumn.....	DISP03
Branch.....	DISP10
Coffee Bean.....	DISP13
Dusk.....	DISP09
Emerald City.....	DISP08
Gold Rush.....	DISP02
Igloo.....	DISP11
Ink.....	DISP06
Mist.....	DISP12
Oatmeal.....	DISP15
Prince.....	DISP07
Reservoir.....	DISP01
Rose.....	DISP04
Spring.....	DISP05
Steel.....	DISP16
Taupe.....	DISP14

### MICA

Anthracite.....	MCA911
Breeze.....	MCA918
Bronze.....	MCA913
Buff.....	MCA914
Cremini.....	MCA917
Crystal.....	MCAWIT
Dew.....	MCA920
Dove.....	MCA912
Fresh.....	MCA916
Mineral.....	MCA915
Nectar.....	MCA919
Shale.....	MCA910

### SPIN

Alabaster.....	SPIN02
Cavern.....	SPIN03
Cobblestone.....	SPIN04
Ember.....	SPIN06
Flame.....	SPIN07
Heron.....	SPIN13
Oat.....	SPIN01
Ocean.....	SPIN12
Plum.....	SPIN15
Pool.....	SPIN11
Raven.....	SPIN10
Rhubarb.....	SPIN14
Tropic.....	SPIN08
Willow.....	SPIN05

### TERRAIN

Bay.....	TRRN05
Bayou.....	TRRN35
Canyon.....	TRRN30
Cliff.....	TRRN45
Crest.....	TRRN25
Delta.....	TRRN10
Plateau.....	TRRN15
Ridge.....	TRRN20
Valley.....	TRRN40

# Partnership Program Upholstery

Beyond®

For use with Solid Wall Tackable Fabric Tiles and Privacy Tile Tackable Fabric Tiles. Blink, Look-see, Medium, Messenger, Milestone, and Walkabout are only available on tiles 48"W or less.

## GRADE D

### BLAZER LITE

Angel.....	PCAMBLT49
Aspire.....	PCAMBLT52
Balance.....	PCAMBLT41
Bliss.....	PCAMBLT48
Buddha.....	PCAMBLT56
Cuddle.....	PCAMBLT62
Dainty.....	PCAMBLT64
Daydream.....	PCAMBLT46
Devoted.....	PCAMBLT58
Faith.....	PCAMBLT68
Freedom.....	PCAMBLT69
Graceful.....	PCAMBLT51
Happy.....	PCAMBLT55
Harmony.....	PCAMBLT63
Haven*.....	PCAMBLT40
Hope.....	PCAMBLT50
Hush.....	PCAMBLT42
Love.....	PCAMBLT47
Mood.....	PCAMBLT44
Pamper.....	PCAMBLT66
Pastel.....	PCAMBLT65
Pillow.....	PCAMBLT43
Praise.....	PCAMBLT54
Retreat*.....	PCAMBLT39
Shelter.....	PCAMBLT60
Solace*.....	PCAMBLT70
Tender.....	PCAMBLT53
True.....	PCAMBLT61
Verity.....	PCAMBLT57
Wish.....	PCAMBLT67
Worship.....	PCAMBLT59

\*Only options for Beyond solid tiles

### BLINK

Bright Blue.....	1048-59
Dark Violet.....	1048-77
Dove Grey.....	1048-83
Lemon Yellow.....	1048-22
Ocean Blue.....	1048-56
Peppery.....	1048-90
Red Orange.....	1048-44
Sea Green.....	1048-67
Silvery.....	1048-80

## LOOK-SEE

Electric.....	1044-77
Foggy.....	1044-85
Foliage.....	1044-67
Lava.....	1044-44
Midnight.....	1044-59
Plum.....	1044-75
Shady.....	1044-80
Snowy.....	1044-11
Stone.....	1044-89
Terra Cotta.....	1044-46
Ultramarine.....	1044-57
Wavelet.....	1044-56
Wine.....	1044-74

## MEDIUM

Alloy.....	SMHMMDM03
Blackberry.....	SMHMMDM52
Cascade.....	SMHMMDM51
Cosmic.....	SMHMMDM50
Delight.....	SMHMMDM36
Espresso.....	SMHMMDM07
Flax.....	SMHMMDM04
Hike.....	SMHMMDM47
Laser.....	SMHMMDM14
Marina.....	SMHMMDM22
Nasturtium.....	SMHMMDM53
Nautical.....	SMHMMDM39
Pacific.....	SMHMMDM49
Pecan.....	SMHMMDM08
Persimmon.....	SMHMMDM13
Pistachio.....	SMHMMDM29
Pool.....	SMHMMDM40
Port.....	SMHMMDM16
Prospect.....	SMHMMDM32
Pumpkin.....	SMHMMDM12
Raven.....	SMHMMDM01
Sculpture.....	SMHMMDM45
Smoke.....	SMHMMDM02
Tangle.....	SMHMMDM48
Thatched.....	SMHMMDM46
Washed.....	SMHMMDM44

## MESSENGER

Apple.....	SMHMGRM96
Ash.....	SMHMGRM77
Aster.....	SMHMGRM67
Azure.....	SMHMGRM41
Balsa.....	SMHMGRM01
Bayou.....	SMHMGRM08
Beyond.....	SMHMGRM85
Blanch.....	SMHMGRM89
Cactus.....	SMHMGRM45
Capri.....	SMHMGRM61
Cassis.....	SMHMGRM66
Catalyst.....	SMHMGRM98
Cherry.....	SMHMGRM69
Chestnut.....	SMHMGRM52
Chili.....	SMHMGRM83
Cloud.....	SMHMGRM31
Depth.....	SMHMGRM38
Dipper.....	SMHMGRM92
Electric.....	SMHMGRM88
Everglade.....	SMHMGRM87
Fennel.....	SMHMGRM59
Fireside.....	SMHMGRM82
Fossil.....	SMHMGRM76
Gale.....	SMHMGRM93
Hunter.....	SMHMGRM94
Husk.....	SMHMGRM81
Hydrangea.....	SMHMGRM50
Ice.....	SMHMGRM46
Krill.....	SMHMGRM97
Lilac.....	SMHMGRM51
Lime.....	SMHMGRM95
Longspur.....	SMHMGRM90
Lumine.....	SMHMGRM54
Maize.....	SMHMGRM72
Mao.....	SMHMGRM25
Neon.....	SMHMGRM48
Nile.....	SMHMGRM40
Onyx.....	SMHMGRM29
Oyster.....	SMHMGRM79
Pensive.....	SMHMGRM80
Peridot.....	SMHMGRM60
Poppy.....	SMHMGRM24
Robust.....	SMHMGRM84
Satsuma.....	SMHMGRM71
Shadow.....	SMHMGRM07
Snow.....	SMHMGRM58
Spice.....	SMHMGRM68
Squall.....	SMHMGRM63
Tangelo.....	SMHMGRM53
Tobacco.....	SMHMGRM06
Tusk.....	SMHMGRM78
Ultramarine.....	SMHMGRM62
Vibrant.....	SMHMGRM70
Vireo.....	SMHMGRM91
Voyage.....	SMHMGRM86
Zinc.....	SMHMGRM10

## MILESTONE

Bison.....	SMHMLSM58
Charcoal.....	SMHMLSM25
Coffee.....	SMHMLSM57
Daffodil.....	SMHMLSM71
Ebony.....	SMHMLSM26
Ecru.....	SMHMLSM72
Embrace.....	SMHMLSM55
Fountain.....	SMHMLSM79
Ground.....	SMHMLSM31
Linger.....	SMHMLSM54
Lychee.....	SMHMLSM69
Mykonos.....	SMHMLSM80
Pewter.....	SMHMLSM22
Rush.....	SMHMLSM47
Spruce.....	SMHMLSM78
Tiger Lily.....	SMHMLSM61
Tortoise.....	SMHMLSM46

## WALKABOUT

Alluring Aqua.....	1046-56
Bewitched Blue.....	1046-59
Bold Burgundy.....	1046-74
Classic Cobalt.....	1046-55
Cool Carbon.....	1046-87
Gallant Green.....	1046-67
Gutsy Grey.....	1046-85
Jungly Jade.....	1046-64
Noble Navy.....	1046-58
Peaceful Pewter.....	1046-89
Reliable Red.....	1046-44
Swanky Silver.....	1046-80
Wistful White.....	1046-11

## GRADE E

### SPIRAL

Birch.....	PMHMSPL02
Chalk.....	PMHMSPL01
Graphite.....	PMHMSPL06
Mica.....	PMHMSPL04
Pavement.....	PMHMSPL05
Wheat.....	PMHMSPL03

## GRADE F

### PARALLEL

Argent.....	PMHMPRL02
Boulder.....	PMHMPRL27
Brandy.....	PMHMPRL32
Chalk.....	PMHMPRL01
Crater.....	PMHMPRL33
Fog.....	PMHMPRL03
Linen.....	PMHMPRL23
Pea.....	PMHMPRL24
Quail.....	PMHMPRL36
Shiitake.....	PMHMPRL29
Steam.....	PMHMPRL28
Sterling.....	PMHMPRL22
Wafer.....	PMHMPRL30

## ALLSTEEL PARTNERSHIP PROGRAM

Allsteel understands that customers may want to specify panel and seating textiles outside of Allsteel's standard offering. Allsteel's Partnership Program consists of on-trend and design-forward patterns that have been tested and approved by Allsteel for use on Allsteel products. A subset of these approved patterns is available on cards in the textile binder, while numerous others are available on our website, [allsteeloffice.com](http://allsteeloffice.com).

For memo samples, please contact our partners:

- Camira, [memos@camirafabrics.com](mailto:memos@camirafabrics.com) 1.616.288.0655
- Carnegie, [carnegiefabrics.com](http://carnegiefabrics.com) 1.800.727.6770
- CF Stinson, [cfstinson.com](http://cfstinson.com) 1.800.841.6279
- HBF Textiles, [hbftextiles.com](http://hbftextiles.com) 1.877.494.5727
- Maharam, [maharam.com](http://maharam.com) 1.800.645.3943
- Ultrafabrics, [ultrafabricsinc.com](http://ultrafabricsinc.com), 1.877.309.6648

The intent of the Partnership Program is to offer a wide variety of on-trend textiles to meet your varied needs, but since these textiles are not part of our standard offering they may be subject to extended lead times. Because new materials will be introduced regularly, Allsteel reserves the right to change the offering at any time.

NEW, REVISED, AND DISCONTINUED  
 CEILING CONNECTION & FREESTANDING  
 PANEL LEVELING  
 FRAMELESS  
 FRAMED AND SOLID  
 DOORS  
 CABANA  
 VIZ  
 SEISMIC ZONES



Allsteel®

Allsteel Inc.  
Muscatine, Iowa 52761

[allsteeloffice.com](http://allsteeloffice.com)

Form # A8661.A8 (10/22)