

# Desking & Benching

## Price & Specification Guide 2022

Prices effective May 13, 2022

PDF updated December 28, 2022

All content marked in red signifies an update to the last major version of this price guide, published on May 13, 2022.

# Limited Lifetime Warranty

Our unwavering commitment to our customers compels us to care, and our dedication to quality is just one of the ways we show our customers how much they mean to us.

We recognize that keeping up with the pace of change requires having products that work as hard as the people who use them. That's why each of our products is rigorously tested and certified to meet the highest industry standards.

In the unlikely event that any Allsteel product or component covered by the Allsteel Warranty should fail under normal workplace use because of defective material or workmanship, Allsteel promises to fix it. Because taking care of *people* is how Allsteel takes care of business.

For information on Allsteel's warranty coverage, visit [AllsteelOffice.com](http://AllsteelOffice.com).

Government Support – [GovernmentSupport@hniworkplacefurnishings.com](mailto:GovernmentSupport@hniworkplacefurnishings.com)  
Product, Parts, Non-Warranty Parts Orders – [ProductSupport@hniworkplacefurnishings.com](mailto:ProductSupport@hniworkplacefurnishings.com)  
Quick Ship Orders – [QuickShip@hniworkplacefurnishings.com](mailto:QuickShip@hniworkplacefurnishings.com)  
Order Status – [OrderStatus@hniworkplacefurnishings.com](mailto:OrderStatus@hniworkplacefurnishings.com)  
General Inquiries – [GeneralSupport@hniworkplacefurnishings.com](mailto:GeneralSupport@hniworkplacefurnishings.com)

- Software support packages furnished to the customer, either by Allsteel® or by another source, which support the sale of Allsteel products are superseded by printed price lists.
- Prices are subject to change without notice. All orders are subject to prices in effect at the time of order.
- Please refer to your Allsteel Dealer Sales and Discount Policies for order placement information, terms and conditions.

- Ordering information appears at the bottom of each product page complete with examples on how to specify. Fabric and finish pages are referenced at the bottom of product pages.

This publication is available as a downloadable PDF on Allsteel websites.

### Questions or Comments?

Please call us at: **888-ALLSTEEL**  
**888-255-7833**

Warranty .....	Inside Front Cover
New, Revised, and Discontinued Products .....	4
COM, Specials Policies, and Programs .....	5-8
Upholstery and Finishes .....	9-16
<b>MURAL</b>	
Finishes .....	18-19
Introduction to Mural .....	20
Statement of Line .....	21
Overview .....	22
Planning Guidelines .....	23-26
Working with Electrical .....	27-31
<b>Fence</b>	
Frame .....	32
Tiles .....	33
Connectors .....	34
<b>Integrated Height-Adjustable Tables</b>	
Worksurfaces .....	35-36
Bases .....	37
Wire Management .....	38
<b>Privacy</b>	
Screen Frames .....	39
Screens .....	40-46
No-Screen Kits .....	47
Privacy Panel .....	49
Bent Screen .....	49
<b>Accessories</b>	
Accessories .....	48-52
<b>UNIVERSAL SCREENS</b>	
Finishes .....	119.2-119.3
Partnership Program Upholstery .....	119.4
Specification Details .....	119.5-119.9
<b>Fabric Screens</b>	
Beam Mounted Screens .....	119.10
Elevated Screens .....	119.11
Above/Below Screens .....	119.12
Lateral Screens .....	119.13-119.15
Adjustable HAT Screens .....	119.16
Modesty Screens .....	119.17
Sit-on-Surface Screens .....	119.18
<b>Glass Screens</b>	
Beam Mounted Screens .....	119.19
Elevated Screens .....	119.20
Above/Below Screens .....	119.21
Lateral Screens .....	119.22-119.23
Side Screens .....	119.24
Modesty Screens .....	119.25
<b>Acrylic Screens</b>	
Beam Mounted Screens .....	119.26
Elevated Screens .....	119.27
Above/Below Screens .....	119.28
Lateral Screens .....	119.29-119.30
Side Screens .....	119.31
Modesty Screens .....	119.32
Sit-on-Surface Screens .....	119.33
<b>Laminate Screens</b>	
Beam Mounted Screens .....	119.34
Elevated Screens .....	119.35
Above/Below Screens .....	119.36
Lateral Screens .....	119.37-119.38
Side Screens .....	119.39
Modesty Screens .....	119.40
<b>Organizers</b> .....	119.41
<b>FURTHER</b>	
Finishes .....	54
Typicals .....	55-56
Introduction to Further .....	57-58
Statement of Line .....	59-60
Planning Guidelines .....	61-69
<b>Worksurfaces And Supports</b>	
Working with Worksurfaces and Supports .....	70-88
<b>Electrical &amp; Data</b>	
Working with Electrical and Data .....	89-101
Electrical Infeeds, Power Kits, and Components .....	102-103
Beam Mounted Wire Manager .....	104
Data Components .....	105

<b>Collaborative Hub</b>	
Working with Collaborative Hub .....	106
Collaborative Hub Components .....	107
<b>Screens</b>	
Working with Screens .....	108-109
Fabric Screens and Modesty Panels .....	110-111
Glass Screens .....	112
User Movable and Lateral Screens .....	113
Stride Benching Screens .....	115
Metal Screens .....	118
Tackboard Accessories .....	119
<b>STORAGE — Laminate with Metal</b>	
Working with Storage .....	120-123
Horizontal and Beam-Mounted Storage Stanchion .....	124
Pedestals and Credenzas .....	125
Storage Towers .....	126
<b>Adaptive</b>	
Adaptive Typicals .....	127
Adaptive Statement of Line .....	128
Working with Adaptive Worksurfaces and Supports .....	129-140
Working with Adaptive Electrical and Data .....	141-143
Controls and Electrical & Data Components .....	144-145
Working with Screens, Storage, and Extensions .....	146-147
<b>GALLERY PANELS</b>	
Finishes .....	150
Working with Gallery Panels .....	151-160
Gallery Panels .....	161-166
Gallery Panels for Use with Glass .....	167-171
Further Connector Kits .....	172
Connector Kits .....	173
Panel Systems Gallery Glass .....	174-176
<b>RADII</b>	
Finishes .....	178
Pedestal Functionality with Work Tools .....	180
Freestanding and Mobile Pedestals .....	182-185
Pedestal Functionality with Work Tools .....	186-187
Undermount, L-Cube, and Work Tools .....	188
Undercabinet Pedestals and Caddy .....	189-190
Digital Lock Keys and Accessories .....	191
<b>ALTITUDE</b>	
Paint Finishes, Laminates, Eased Edge .....	194
Fabrics .....	195
Working with Height-Adjustable Tables .....	196-199
Altitude Height-Adjustable Tops, Bases, & Accessories .....	200-237
Altitude – A6 .....	200-201
Altitude – Basic .....	202
Worksurfaces for Height-Adjustable Bases .....	203-207
Cable Management .....	208
Screens and Power Module .....	209
Altitude – Metal Screens .....	210-211
Power Rail Specifications .....	213-220
Working with Electrical and Data .....	221-225
Power Rail – Electrical Components .....	226-228
A8 Screen Kits .....	229
Metal Screens and Tackboard Accessories .....	230-231
Power Rails and Accessories .....	232-235
Working with Organization Rail & Accessories & Screens .....	236
Worksurface Mounted Rail and Accessories .....	237
<b>EXTENSIONS™</b>	
Introduction .....	238
Working with Ergonomic Accessories .....	239-240
Working with Organization Tools .....	241-246
Working with Illumination .....	247-250
Power/Data Modules .....	251
<b>ACCESSORIES</b>	
Working with Pivot Monitor Arms .....	252-255
<b>APPENDIX AND INDEX</b>	
Locking Specifications and Appendix .....	256-257
Touch-Up Paint .....	258
FSC and Storage Features & Dimensions .....	259-260
Fabric Grades G-J and Upholstery Grades 9-23 .....	261
Index .....	262-267

# Desking & Benching

New, Revised, and Discontinued Products

## NEW:

Chicago Code junction boxes for Further flexible and fixed hubs —  
April 28, 2021

NY Code junction boxes for Further flexible and fixed hubs —  
May 28, 2021

Further expansion with A- and H-Leg supports

## NEW FINISHES

### Studio Paints

- Amethyst — P091
- Cobalt Mica — P090
- Ochre — P093
- Sienna — P092

Handspun Pearl laminate LAHP — 6/1/2021

Handspun Dove laminate LAHD — 6/1/2021

Handspun Slate laminate LAHS — 6/1/2021

Handspun Chestnut laminate LAHC — 6/1/2021

Stratawood Beigewood Maple SE878

Stratawood Field Elm Maple SE599

Stratawood Belair Maple SE934

Stratawood Florence Walnut ST579

Natural Florence Walnut NT579

Quarter Florence Walnut QT579

Fawn Cypress Rift Oak RF108

Belair LWBA

Field Elm LWFE

## NEW TEXTILES

Parker

Moxie

Dapper new colors — Charcoal, Clover, Gerbera, Grape, Parrot, Poppy,  
Sky, Terracotta, Titanium

## DE-EMPHASIZED FINISHES

Conifer and Cabernet — 12/31/2020

## DISCONTINUED FINISHES

Paint — Carob P52, Carob Plastic & Edge E8 — 12/31/2020

Painted Metal — Brilliant White PQ8 — 12/31/2019

Camelstone laminate LT6A — 10/1/2021

Greystone laminate TM65 — 10/1/2021

Whitestone laminate TM33 — 10/1/2021

Cafelle laminate — LWC Disco 12/31/2021

Cafelle edge — DG Disco 12/31/2021

Branded Oak laminate — LBO1 Disco 12/31/2021

Branded Oak edge — BO Disco 12/31/2021

Ebony Recon laminate — LER1 Disco 12/31/2021

Ebony Recon edge — DR Disco 12/31/2021

Charcoal Walnut laminate — LWCW Disco 6/30/2022

Columbian Walnut laminate — LWZ Disco 6/30/2022

Amber Cherry laminate — LWAC Disco 6/30/2022

Charcoal Walnut edge — DC Disco 6/30/2022

Columbian Walnut edge — DZ Disco 6/30/2022

Amber Cherry edge — DA Disco 6/30/2022

Canyon Zephyr laminate — LT5B Disco 6/30/2022

Desert Zephyr laminate — LT5A Disco 6/30/2022

Ebony laminate — LT3E Disco 6/30/2022

Grey Mesh laminate — LT8A Disco 6/30/2022

Parchment laminate — TM20 Disco 6/30/2022

Pewter Mesh laminate — LT8C Disco 6/30/2022

Sheer Mesh laminate — LT8B Disco 6/30/2022

White Tigris laminate — LT2A Disco 6/30/2022

## DISCONTINUED TEXTILES

Silvertex

## DISCONTINUED PRODUCTS

Z-Series Monitor Arms discontinued 6/30/2020, recommended  
replacement is Pivot Monitor Arms.

Altitude A3 height-adjustable tables discontinued 12/31/2020,  
recommended replacement is Altitude A6 height-adjustable tables

## COM Program

Allsteel understands that customers may at times want to specify fabrics outside of Allsteel’s standard fabric offering. Our COM program was designed to make specifying COMs on Allsteel products a simpler, friendlier, and hassle-free process. This process is simple and easy to use, and is described below under “Allsteel to Supply (ATS).” If a Dealer wishes to manage the COM process themselves, they can do so by following guidelines under “Dealer to Supply (DTS)”. **ATS is the preferred method for all COM fabrics.** With ATS, Company will provide acknowledgment based upon planned date of receipt of COM fabric and manage the entire process. DTS is allowed if it is not a partnership fabric or if Company does not have access to the supplier. **DTS may cause order delays and is strongly discouraged.** Find out more about Allsteel’s COM process by emailing our COM Department at [allsteelcomteam@allsteeloffice.com](mailto:allsteelcomteam@allsteeloffice.com).

### Allsteel to Supply (ATS):

1. Select the fabric you wish to use and check the COM Search on Synergy at: [Allsteelsynergy/Design Resources/Textiles & Finishes/COM Search](#) or [COM Search quick link](#). You will need to have the COM supplier’s name, fabric pattern name, and color name to search for approved fabrics.
2. If your fabric is listed as an approved fabric, you may place your order directly with Allsteel Customer Support. Please use the fabric code (e.g., S216426XP) from the COM Test Request on your order in the place of the standard fabric code.  
  
If your fabric is not listed as approved, you will need to select the “Request COM Test” link on the COM Search website. If your fabric is not listed as approved, and it is not a Partnership fabric you may request a “Dealer to Supply” code. Select the “Request COM Test” link on the COM Search website. Your name, company name and email will be prepopulated fields. The secondary email, project name, and bid/contract number are optional information. The supplier, pattern, and color will show a list by clicking in the box and entering the first letter of the name and these are free form text boxes. Once that information is entered click add. (Multiple series can be added to the same request if they are the same supplier, pattern, and color.) Then click submit.
3. An email will be sent to the to the requestor stating the COM Request was successfully submitted. Up to four emails could be received: Testing materials requested, in testing, and final approval/denial with price grade and fabric code. It’s rare actual test yardage is required. Testing is mainly done by reviewing the attributes of the fabric. The testing process takes approximately 48 hours. Written COM price quotes hold pricing for 90 days after issue date.
4. Once the fabric has been approved by Allsteel, enter your order directly with Allsteel Customer Support. Allsteel will purchase all COM fabric directly from the COM suppliers and schedule for production.

In the event that the Dealer decides to cancel a COM fabric order, the Dealer is responsible for the cost of the fabric plus a handling charge that is equal to 10% of the fabric cost.

### Dealer to Supply (DTS):

1. Select the fabric you wish to use and check the COM Search on Synergy at: [Allsteelsynergy/Design Resources/Textiles & Finishes/COM Search](#) or [COM Search quick link](#). Or call Allsteel Customer Support to see if the fabric you have chosen has already been tested and approved on the product you are interested in.  
  
You will need to have the COM supplier’s name, fabric pattern name, and color name for this inquiry.
2. If your fabric is not listed as approved, and it is not a Partnership fabric you may request a “Dealer to Supply” code. Select the “Request COM Test” link on the COM Search website. Your name, company name and email will be prepopulated fields. The secondary email, project name, and bid/contract number are optional information. The supplier, pattern, and color will show a list by clicking in the box and entering the first letter of the name and these are free form text boxes. Once that information is entered click add. (Multiple series can be added to the same request if they are the same supplier, pattern, and color.) Then click submit.
3. An email will be sent to the to the requestor stating the COM Request was successfully submitted. Up to four emails could be received: Testing materials requested, in testing, and final approval/denial with price grade and fabric code. It’s rare actual test yardage is required. Testing is mainly done by reviewing the attributes of the fabric. The testing process takes approximately 48 hours.
4. Make sure to use a “Dealer to Supply” COM code (e.g., S216426ZP) and place your order directly with Allsteel Customer Support.
5. All “Dealer to Supply” orders will be charged Grade 4 pricing for seating, Grade 3 for Gather, and Grade D pricing for panels. Dealers will pay for the COM fabric separately.
6. All “Dealer to Supply” fabric must be sent on a fabric roll. Estimate the yardage required by using the yardage requirements listed in the price list by model. For questions please contact Allsteel Customer Support.
7. Place your fabric order directly with the COM Supplier with instructions for the fabric to be sent on a fabric roll to:

**HNI Textile Distribution Center**  
**COM Production Yardage** — PO Number  
 Docks 20-22  
 301 Mulberry Avenue  
 Muscatine, IA 52761

Information that **MUST** be included in the packing slip attached to the DTS fabric:

1. Dealer's Purchase Order number to Allsteel
2. Allsteel's Tracking number for the COM fabric
3. Dealer Name
4. Yards of Fabric

If the fabric shipment does not match the correct fabric and yardage, Allsteel will notify the Dealer for resolution.

If Allsteel receives fabric with incorrect labeling or fabric yardage that cannot be linked to an Allsteel furniture order, Allsteel will hold the fabric for up to 4 weeks. After 4 weeks Allsteel will dispose of the fabric. There are no exceptions to this policy.

Specific to DTS orders - The customer should send only the amount needed for the order. Excess yardage, or yardage not attached to an order will be disposed of at Allsteel's discretion.

Any canceled orders are subject to cancellation charges up to the full value of the Allsteel product canceled. Allsteel will determine the actual cancellation charge at the time the cancellation is requested.

8. For additional details on "Dealer to Supply" fabric refer to your Allsteel terms and conditions.

#### Additional Policy Information:

The company assumes no responsibility for the overall appearance, flammability, normal durability, colorfastness, or any other quality standards. The company reserves the right to reject a COM if the quality of the COM is not satisfactory for the product. Should this occur, the customer will be notified with an explanation when the issue is found.

The company is not responsible for fabric that has become obsolete at the COM supplier, that is of poor quality, or that is delivered late to the manufacturer from the COM supplier.

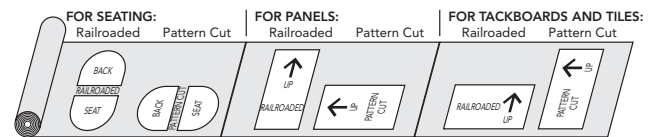
All cancellations or changes to COM orders are subject to Company approval. Because of the nature of COM, special fabrics, finishes, and structural modifications, products ordered as specials and then canceled prior to shipment are subject to cancellation costs up to the full value of the product canceled. The company determines the actual cancellation charge at the time the cancellation is requested. Upon approval, a cancellation number is issued to the Customer.

Purchase orders will not be accepted or entered unless the testing process is complete with positive results.

If all testing has been previously completed, re-testing is only necessary if fabric is to be used on a different product, or pattern direction has changed from that previously approved.

Previous test results can be obtained by a customer on the COM Search on Synergy or by calling Allsteel Customer Support.

All COM fabric will be applied to seating and panel systems Pattern Cut unless Railroad Cut is requested and approved on the COM Test Request. Any fabrics approved as a width pass, the dealer is responsible for clarifying Railroad Cut on orders containing items that are too large to support the Pattern Cut of a fabric application (any items larger than 48" high or wide).



#### Fire Retardant

The Dealer is responsible for ensuring that the COM fabric is certified to meet all flame retardant requirements.

*For more information, please contact Allsteel Customer Support.*

#### YARDAGE REQUIREMENTS FOR FABRIC WITH REPEATS — FOR USE ON GATHER™ PRODUCTS

Fabric Width	Plain Fabric	2"– 14" Repeat	15"– 19" Repeat	20"– 27" Repeat	28"– 36" Repeat
54"	0	+15%	+20%	+25%	+30%
53"	+6%	+19%	+24%	+28%	+36%
52"	+13%	+23%	+28%	+33%	+38%
51"	+19%	+26%	+31%	+36%	+41%
50"	+25%	+30%	+35%	+40%	+45%
49"	+30%	+35%	+40%	+45%	+50%
48"	+35%	+40%	+45%	+50%	+55%
47"	+45%	+50%	+55%	+58%	+65%

Depending upon the pattern repeat, it may be necessary to pattern cut the fabric. This will require 10% additional fabric.

To calculate multiple repeats (vertical and horizontal), add each repeat for total yardage required. For example for a fabric width of 54": 7" vertical requires 15%, 15" horizontal requires 20% total additional yardage required equals 35% (15% + 20%). Therefore, if your chair requires 2 yards of fabric, multiply 2 by 35%. Then 2.7 yards will be yardage required.

### Special Paint & Stain Policy

Allsteel at its own discretion may modify its standard products with non-standard paint and stain colors to meet specific needs. Dealer is required to submit a special paint or stain request via the COM Search on Synergy. A sample of the non-standard paint or stain color desired will be required for matching. Pricing, lead time, and order information will be provided at the time of approval.

- For each new requested stain or paint, there will be a \$500 net fee to cover supplier costs to match the special item.
- For existing, previously-approved stains or paints, there is no \$500 matching fee, however, there is a sample chip fee of \$175 net for stains and \$100 net for paints.
- Samples, preferably at least 3" x 5" chips, of the exact color desired should be sent to the Allsteel Tailored Products Group. Paint matches require (3) sample chips and stain matches require (3) sample chips. Please mail these sample chips to the address below and reference the Special Item Request Number from Tailored Solutions.

#### Allsteel Inc.

Attn: Tailored Products Group  
2210 Second Avenue  
Muscatine, IA 52761

- Allsteel will color match the sample and send control samples to the address provided in the request. Dealer will review Allsteel's color match and approve by signing the back of the sample chip. Send the signed sample back to the Allsteel Tailored Products Group.
- Special paints will be assigned a paint price grade.
- Orders will not be accepted until Allsteel receives the Dealer's written approval on the color match.
- Extended lead times will apply on orders containing special paints or stains.
- Due to manufacturing techniques, materials, and quality issues, some exclusions will apply and some matches may be declined.

### Important Notes

- Natural veneer is subject to nature's quality control. Differences in grain and color are naturally occurring variations and cannot be controlled by the manufacturer and cannot be considered as product defects. Natural veneer has the characteristics and beauty of a living organism; with its own variations of grain, growth, and color patterns. For these reasons, Natural veneer is preferred by many for its warmth and personal characteristics.

- Color changes will occur over time when wood is exposed to light. For this reason, when new product is ordered as an addition to existing product, there will be color variances between the old and new product. Please remember when specifying new product that although the species of veneer will be the same, additional product is being manufactured from a different tree. It may take several months for the new furniture to mature to the color level of existing product. Even with this maturation process the additional product will not be an exact match.

### Special Laminate Policy

The Company at its own discretion may modify its standard products with non-standard laminates to meet specific needs. Contact the Allsteel Tailored Products Group for pre-approved Wilsonart, Formica, Nevamar and Pionite laminates and pricing for special laminates. When requesting a special laminate please supply manufacturer, along with name and pattern number of laminate.

- Extended lead times will apply on orders containing special laminates.
- Due to manufacturing techniques, materials, and quality issues, some product exclusions will apply and some requests may be declined.

# Everyday Advantage<sup>®</sup>

## New terms and conditions for EDA:

1. Orders must clearly state “Everyday Advantage Order” and include the appropriate Everyday Advantage contract number:
  - Everyday Advantage Std-0125, Everyday Advantage Canada-0127
2. Everyday Advantage orders are not eligible for bid pricing.
3. Program discounting includes the complete Optimize, Further, **and** Terrace systems lines, private office solution, Approach and Involve storage. This program also includes Acuity, Access, Evo, Inspire, Lyric, Mimeo, Nimble, Quip, Relate, Seek, and Svelte, seating. Altitude, Aware, and Structure tables are also available, along with Align pedestals, lockers and metal storage and Essentials pedestals, and Radii storage lines. In addition, Extensions ergonomic accessories and lighting are part of the standard offering. All other product not called out is available for order on the contract but will receive standard discounting of 55%–65%.
4. All textiles and finishes except for veneer and some wood finishes are available, depending on quantity and selection, and may have extended lead times.
5. Everyday Advantage orders are not limited to a minimum or maximum.
6. All orders ship based on standard lead times. Large-quantity orders of like products may be subject to longer lead times.
7. Standard freight terms apply.
8. If driver assistance is needed, standard driver assist charges will be added at time of order entry.

*Allsteel Inc. reserves the right to amend or terminate this program at anytime with 30 days written notice. Allsteel is not liable for service delays caused by force majeure (circumstances beyond Allsteel's control).*



#### SEATING UPHOLSTERY FOR SCREENS — RR CUT

##### GRADE 1 (Use Grade A Pricing)

**\*CENTURION B, C, F, O, T**  
(Nanotex™ Stain-Resistant finish)

Apricot.....	CU47
Bark.....	CU25
Black.....	CU10
Espresso.....	CU49
Fog.....	CU03
Frost.....	CU22
Goldenrod.....	CU27
Indigo.....	CU06
Iris.....	CU50
Iron Ore.....	CU19
Jade.....	CU83
Marsala.....	CU63
Morel.....	CU24
Navy.....	CU98
Peacock.....	CU97
Pear.....	CU84
Ruby.....	CU67
Sapphire.....	CU09

**DAPPER B<sup>w</sup>, F<sup>w</sup>, T<sup>w</sup>**  
(100% Polyester)

Ash.....	DAPR20
Azalea.....	DAPR95
Breeze.....	DAPR06
Canvas.....	DAPR25
Currant.....	DAPR00
Emerald.....	DAPR75
Fawn.....	DAPR35
Fern.....	DAPR85
Jewel.....	DAPR08
Marigold.....	DAPR65
Onyx.....	DAPR10
Orchid.....	DAPR90
Peony.....	DAPR50
Pool.....	DAPR05
Rose.....	DAPR40
Sapphire.....	DAPR07
Scarlet.....	DAPR45
Sepia.....	DAPR30
Slate.....	DAPR15
Sorbet.....	DAPR55
Spice.....	DAPR60
Spring.....	DAPR80
Varsity.....	DAPR09
Zest.....	DAPR70

##### GRADE 4 (Use Grade D Pricing)

**Maharam MESSENGER**  
**B, C, F, O, T**  
(78% Recycled)

Apple.....	SMHMGRM96
Ash.....	SMHMGRM77
Aster*.....	SMHMGRM67
Azure.....	SMHMGRM41
Balsa*.....	SMHMGRM01
Bayou.....	SMHMGRM08
Beyond*.....	SMHMGRM85
Blanch.....	SMHMGRM89
Cactus*.....	SMHMGRM45
Capri.....	SMHMGRM61
Cassis.....	SMHMGRM66
Catalyst*.....	SMHMGRM98
Cherry.....	SMHMGRM69
Chestnut*.....	SMHMGRM52
Chili*.....	SMHMGRM83
Cloud.....	SMHMGRM31
Depth.....	SMHMGRM38
Dipper.....	SMHMGRM92
Electric*.....	SMHMGRM88
Everglade.....	SMHMGRM87
Fennel*.....	SMHMGRM59
Fireside*.....	SMHMGRM82
Fossil*.....	SMHMGRM76
Gale*.....	SMHMGRM93
Hunter.....	SMHMGRM94
Husk*.....	SMHMGRM81
Hydrangea*.....	SMHMGRM50
Ice.....	SMHMGRM46
Krill*.....	SMHMGRM97
Lilac*.....	SMHMGRM51
Lime.....	SMHMGRM95
Longspur.....	SMHMGRM90
Lumine.....	SMHMGRM54
Maize*.....	SMHMGRM72
Mao.....	SMHMGRM25
Neon*.....	SMHMGRM48
Nile.....	SMHMGRM40
Onyx.....	SMHMGRM29
Oyster*.....	SMHMGRM79
Pensive*.....	SMHMGRM80
Peridot*.....	SMHMGRM60
Poppy*.....	SMHMGRM24
Robust*.....	SMHMGRM84
Satsuma.....	SMHMGRM71
Shadow*.....	SMHMGRM07
Snow.....	SMHMGRM58
Spice*.....	SMHMGRM68
Squall*.....	SMHMGRM63
Tangelo.....	SMHMGRM53
Tobacco*.....	SMHMGRM06
Tusk*.....	SMHMGRM78
Ultramarine*.....	SMHMGRM62
Vibrant*.....	SMHMGRM70
Vireo.....	SMHMGRM91
Voyage.....	SMHMGRM86
Zinc*.....	SMHMGRM10

##### GRADE 5 (Use Grade E Pricing)

**Camira BLAZER F**  
(100% Pure New Wool)

Aberlour*.....	SCAMBLZ15
Abertay.....	SCAMBLZ36
Aston.....	SCAMBLZ02
Barlborough*.....	SCAMBLZ40
Barnard.....	SCAMBLZ27
Bromsgrove*.....	SCAMBLZ35
Bryanston.....	SCAMBLZ53
Camphill.....	SCAMBLZ16
Cardiff*.....	SCAMBLZ04
Dartmouth.....	SCAMBLZ24
Dunhurst*.....	SCAMBLZ58
Edge Hill*.....	SCAMBLZ90
Edinburgh*.....	SCAMBLZ23
Eynesbury*.....	SCAMBLZ44
Fairfield.....	SCAMBLZ47
Glasgow*.....	SCAMBLZ01
Glenalmond.....	SCAMBLZ62
Goldsmith.....	SCAMBLZ39
Handcross*.....	SCAMBLZ63
Holyoke*.....	SCAMBLZ43
Hull*.....	SCAMBLZ19
Kingsmead*.....	SCAMBLZ67
Knightsbridge*.....	SCAMBLZ26
Latymer*.....	SCAMBLZ33
Magdalene*.....	SCAMBLZ42
Manchester.....	SCAMBLZ21
Marymount*.....	SCAMBLZ38
Montcrest*.....	SCAMBLZ37
Napier.....	SCAMBLZ08
Newcastle.....	SCAMBLZ22
Newport*.....	SCAMBLZ17
Oriel*.....	SCAMBLZ18
Oxford*.....	SCAMBLZ09
Penola*.....	SCAMBLZ45
Plymouth.....	SCAMBLZ20
Scottsdale*.....	SCAMBLZ41
Sheffield*.....	SCAMBLZ03
Silcoates.....	SCAMBLZ30
Silverdale.....	SCAMBLZ28
St. Andrews.....	SCAMBLZ86
Stanford.....	SCAMBLZ25
Surrey.....	SCAMBLZ10
Trevelyan.....	SCAMBLZ31
Tyndale*.....	SCAMBLZ46
Ulster*.....	SCAMBLZ11
Vassar.....	SCAMBLZ34
Wellington.....	SCAMBLZ13
Wesley*.....	SCAMBLZ82
Winchester*.....	SCAMBLZ12
Woodcroft*.....	SCAMBLZ48

Multi-use fabrics are noted with the following designators:

- B** – Tackboards, **C** – Concensys®,
- F** – Further™, **O** – Optimize™,
- T** – Terrace®.

<sup>w</sup> limited to 48"W or less

\* Not available on 72"W.

\* Colorway not shown on Textiles card; all Partnership Program memo samples are available from supplier. See contact information below.

#### ALLSTEEL PARTNERSHIP PROGRAM

Allsteel understands that customers may want to specify panel and seating textiles outside of Allsteel's standard offering. Allsteel's Partnership Program consists of on-trend and design-forward patterns that have been tested and approved by Allsteel for use on Allsteel products. A subset of these approved patterns is available on cards in the textile binder, while numerous others are available on our website, [allsteeloffice.com](http://allsteeloffice.com).

For memo samples, please contact our partners:

- Camira, [memos@camirafabrics.com](mailto:memos@camirafabrics.com) 1.616.288.0655
- Carnegie, [carnegiefabrics.com](http://carnegiefabrics.com) 1.800.727.6770
- CF Stinson, [cfstinson.com](http://cfstinson.com) 1.800.841.6279
- HBF Textiles, [hbftextiles.com](http://hbftextiles.com) 1.877.494.5727
- Maharam, [maharam.com](http://maharam.com) 1.800.645.3943
- Ultrafabrics, [ultrafabricsinc.com](http://ultrafabricsinc.com) 1.877-309-6648

The intent of the **Partnership Program** is to offer a wide variety of on-trend textiles to meet your varied needs, but since these textiles are not part of our standard offering they may be subject to extended lead times. Because new materials will be introduced regularly, Allsteel reserves the right to change the offering at any time.

## GRADE A

<b>APPOINT PANEL</b>	
Artichoke.....	APN911
Blackberry.....	APN932
Bronze.....	APN922
Carbon.....	APN928
Chai.....	APN912
Cherry.....	APN930
Dark Pewter.....	APN917
Dune.....	APN915
Espresso.....	APN923
Frost.....	APN934
Framboise.....	APN931
Jet.....	APN927
Lawn.....	APN925
Mandarin.....	APN929
Morel.....	APN909
Nimbus.....	APN916
Platinum.....	APN924
Turquoise.....	APN926

<b>*BINARY †</b>	
Blush.....	BNRY12
Coal.....	BNRY06
Cream.....	BNRY01
Denim.....	BNRY08
Diamond.....	BNRY03
Graphite.....	BNRY05
Juniper.....	BNRY10
Lagoon.....	BNRY07
Lavender.....	BNRY11
Mineral.....	BNRY04
Reef.....	BNRY09
Sand Dollar.....	BNRY02

<b>CENTURION™</b>	
Apricot.....	CU47
Bark.....	CU25
Black.....	CU10
Espresso.....	CU49
Fog.....	CU03
Frost.....	CU22
Goldenrod.....	CU27
Indigo.....	CU06
Iris.....	CU50
Iron Ore.....	CU19
Jade.....	CU83
Marsala.....	CU63
Morel.....	CU24
Navy.....	CU98
Peacock.....	CU97
Pear.....	CU84
Ruby.....	CU67
Sapphire.....	CU09

<b>CIRCUIT †♣</b>	
Atlas.....	CIRC35
Dolphin.....	CIRC63
Island White.....	CIRC14
Moon.....	CIRC07
Night.....	CIRC49
Pacific.....	CIRC28
Quartz.....	CIRC01
Sienna.....	CIRC56
Silk.....	CIRC21
Snap Pea.....	CIRC42

<b>ETCH</b>	
Axis.....	ECH913
Blend.....	ECH914
Cast.....	ECH912
Highlight.....	ECH910
Midtone.....	ECH911
Outline.....	ECH908
Shade.....	ECH909
Tonal.....	ECH916
Vanish.....	ECH915

<b>EXCHANGE</b>	
Iron.....	EXG916
Nickel.....	EXG914
Pistachio.....	EXG910
Root.....	EXG913
Rupee.....	EXG903
Shadow.....	EXG911
Silver.....	EXG915
Sisal.....	EXG917
Stone.....	EXG912

w Limited to 48" W or less  
 ▼ Panel fabric is not available on Further.  
 ♣ Panel fabric is not available on Optimize.  
 † Panel fabric is not available on Concensus.  
 \* Not available on 72" W

## GRADE A – continued

<b>LANDSCAPE</b>	
Cornsilk.....	LN15
Drift.....	LN05
Khaki.....	LN20
Sheen.....	LN10
Slate.....	LN35
Umber.....	LN25
Urban.....	LN30

<b>LUCY</b>	
Aspen.....	LC932
Cornsilk.....	LC930
Dusk.....	LC922
Fawn.....	LC933
Graphite.....	LC934
Mist.....	LC920
Neutra.....	LC924
Pewter.....	LC935
Snowdrop.....	LC928

<b>NOBLE</b>	
Aspen.....	NBLE14
Bordeaux.....	NBLE01
Brick.....	NBLE02
Chambray.....	NBLE10
Clementine.....	NBLE04
Dawn.....	NBLE13
Grass.....	NBLE07
Gunmetal.....	NBLE15
Harvest.....	NBLE12
Jade.....	NBLE06
Knight.....	NBLE17
Mesa.....	NBLE03
Pacific.....	NBLE08
Rainforest.....	NBLE05
Regal.....	NBLE11
Stormy.....	NBLE16

<b>REFLECTIONS</b>	
Galvanized.....	REF929
Ice.....	REF920
Loggia.....	REF921
Mistral.....	REF928
Moonstone.....	REF923
Pewter.....	REF922
Stainless.....	REF924
Vanilla.....	REF925
Winter.....	REF927

<b>REFUGE</b>	
Artesian.....	RFG996
Dune.....	RFG992
Eclipse.....	RFG990
Frost †.....	RFG993
Glacier †.....	RFG991
Mineral.....	RFG998
Tidal.....	RFG994

<b>SARTO ▼</b>	
Ash.....	SRT988
Fog.....	SRT914
Lemongrass.....	SRT949
Mist.....	SRT945
Mushroom.....	SRT976
Oyster.....	SRT918
Reef.....	SRT964
Sesame.....	SRT993
Shale.....	SRT952

<b>TEMPEST</b>	
Dragonfly.....	TP930
Frost.....	TP915
Full Stream.....	TP980
Gold Rush.....	TP910
Slate.....	TP945
Tumbleweed.....	TP970
Wind Chill.....	TP940
Zebra.....	TP935

## GRADE B

<b>*ANALOG</b>	
Album.....	ANLG06
Cartridge.....	ANLG04
Cassette.....	ANLG09
Dial.....	ANLG02
Media.....	ANLG08
Reel.....	ANLG07
Signal.....	ANLG03
Stereo.....	ANLG01
Track.....	ANLG05

## GRADE B – continued

<b>COAST †♣</b>	
Channel.....	COA914
Dune.....	COA903
Headlands.....	COA910
Marsh.....	COA902
Pebble.....	COA912
Pier.....	COA913
Shoal.....	COA901
Silt.....	COA906
Tide.....	COA908

<b>DISPERSE †</b>	
Autumn.....	DISP03
Branch.....	DISP10
Coffee Bean.....	DISP13
Dusk.....	DISP09
Emerald City.....	DISP08
Gold Rush.....	DISP02
Igloo.....	DISP11
Ink.....	DISP06
Mist.....	DISP12
Oatmeal.....	DISP15
Prince.....	DISP07
Reservoir.....	DISP01
Rose.....	DISP04
Spring.....	DISP05
Steel.....	DISP16
Taupe.....	DISP14

<b>MICA</b>	
Anthracite.....	MCA911
Breeze.....	MCA918
Bronze.....	MCA913
Buff.....	MCA914
Cremini.....	MCA917
Crystal †.....	MCAWIT
Dew.....	MCA920
Dove.....	MCA912
Fresh.....	MCA916
Mineral.....	MCA915
Nectar.....	MCA919
Shale.....	MCA910

<b>SPIN PANEL</b>	
Alabaster.....	SPIN02
Cavern.....	SPIN03
Cobblestone.....	SPIN04
Ember.....	SPIN06
Flame.....	SPIN07
Heron.....	SPIN13
Oat.....	SPIN01
Ocean.....	SPIN12
Plum.....	SPIN15
Pool.....	SPIN11
Raven.....	SPIN10
Rhubarb.....	SPIN14
Tropic.....	SPIN08
Willow.....	SPIN05

<b>TERRAIN</b>	
Bay.....	TRRN05
Bayou.....	TRRN35
Canyon.....	TRRN30
Cliff.....	TRRN45
Crest.....	TRRN25
Delta.....	TRRN10
Plateau.....	TRRN15
Ridge.....	TRRN20
Valley.....	TRRN40

## GRADE 4

<b>BLINK</b>	
Bright Blue.....	1048-59
Dark Violet.....	1048-77
Dove Grey.....	1048-83
Lemon Yellow.....	1048-22
Ocean Blue.....	1048-56
Peppery.....	1048-90
Red Orange.....	1048-44
Sea Green.....	1048-67
Silvery.....	1048-80

<b>LOOK-SEE</b>	
Electric.....	1044-77
Foggy.....	1044-85
Foliage.....	1044-67
Lava.....	1044-44
Midnight.....	1044-59
Plum.....	1044-75
Shady.....	1044-80
Snowy.....	1044-11
Stone.....	1044-89
Terra Cotta.....	1044-46
Ultramarine.....	1044-57
Wavelet.....	1044-56
Wine.....	1044-74

## GRADE 4 – continued

<b>WALKABOUT</b>	
Alluring Aqua.....	1046-56
Bewitched Blue.....	1046-59
Bold Burgundy.....	1046-74
Classic Cobalt.....	1046-55
Cool Carbon.....	1046-87
Gallant Green.....	1046-67
Gutsy Grey.....	1046-85
Jungly Jade.....	1046-64
Noble Navy.....	1046-58
Peaceful Pewter.....	1046-89
Reliable Red.....	1046-44
Swanky Silver.....	1046-80
Wistful White.....	1046-11

## ALLSTEEL PARTNERSHIP PROGRAM

Allsteel understands that customers may want to specify panel and seating textiles outside of Allsteel's standard offering. Allsteel's **Partnership Program** consists of on-trend and design-forward patterns that have been tested and approved by Allsteel for use on Allsteel products. A subset of these approved patterns is available on cards in the textile binder, while numerous others are available on our website, [allsteeloffice.com](http://allsteeloffice.com).

**For memo samples, please contact our partners:**

- Camira, [memos@camirafabrics.com](mailto:memos@camirafabrics.com)  
1.616.288.0655
- Carnegie, [carnegiefabrics.com](http://carnegiefabrics.com)  
1.800.727.6770
- CF Stinson, [cfstinson.com](http://cfstinson.com)  
1.800.841.6279
- HBF Textiles, [hbftextiles.com](http://hbftextiles.com)  
1.877.494.5727
- Maharam, [maharam.com](http://maharam.com)  
1.800.645.3943
- Ultrafabrics, [ultrafabricsllc.com](http://ultrafabricsllc.com)

The intent of the **Partnership Program** is to offer a wide variety of on-trend textiles to meet your varied needs, but since these textiles are not part of our standard offering they may be subject to extended lead times. Because new materials will be introduced regularly, Allsteel reserves the right to change the offering at any time.

## PARTNERSHIP – GRADE D

<b>Camira BLAZER LITE † ▼</b>	
Angel.....	PCAMBLT49
Aspire.....	PCAMBLT52
Balance.....	PCAMBLT41
Bliss.....	PCAMBLT48
Buddha.....	PCAMBLT56
Cuddle.....	PCAMBLT62
Dainty.....	PCAMBLT64
Daydream.....	PCAMBLT46
Devoted.....	PCAMBLT58
Faith.....	PCAMBLT68
Freedom.....	PCAMBLT69
Graceful.....	PCAMBLT51
Happy.....	PCAMBLT55
Harmony.....	PCAMBLT63
Haven.....	PCAMBLT40
Hope.....	PCAMBLT50
Hush.....	PCAMBLT42
Love.....	PCAMBLT47
Mood.....	PCAMBLT44
Pamper.....	PCAMBLT66
Pastel.....	PCAMBLT65
Pillow.....	PCAMBLT43
Praise.....	PCAMBLT54
Retreat.....	PCAMBLT39
Shelter.....	PCAMBLT60
Solace.....	PCAMBLT70
Tender.....	PCAMBLT53
True.....	PCAMBLT61
Verity.....	PCAMBLT57
Wish.....	PCAMBLT67
Worship.....	PCAMBLT59

# Upholstery

---

UPHOLSTERY

# Finishes

FINISHES

Paint Name	Paint Code	Grade	Touch Ups	Pivot Monitor Arms	Pivot GSA Monitor Arms	Extensions	Metal Center Drawers
Black	P27	1	•			•	•
Black	P71	1	•				
Black	BLK	1		•			
Brownstone	P7D	1	•			•	•
Bungalow	P7C	1	•			•	•
Carbon	P4Q	1	•				
Charblack	CBK	1	•				
Charblack Metallic*	P80	1	•				
Cinder	P7Q	1	•			•	•
Designer White	WHT	1					
Designer White	PJW	1	•			•	•
Flint	P02	1	•			•	•
Fog	FOG	1					
Fossil	P28	1	•			•	•
Loft	P7B	1	•			•	•
Muslin	P4J	1	•			•	•
Nickel	P8L	1					
Parchment	P93	1	•			•	•
Pebble	P8R	1	•			•	•
Pewter	P8D	1	•			•	•
Platinum Metallic Texture	P6H	1					
Putty	PJS	1					
Salt	P8C	1	•			•	•
Shadow	P4K	1					
Black Mica Texture	P6P	1	•				
Textured Brownstone	P7J	1	•				
Textured Designer White	PK7	1	•				
Textured Flint	P7A	1	•				
Textured Loft	P7L	1	•				
Textured Muslin	P7M	1	•				
Textured Pebble	P8Y	1	•				
Textured Salt	P8Z	1	•				
Textured Titanium	P8V	1	•				
Titanium	P8T / T	1	•			•	•
White	PD8	1					
Anodized Silver	PR0	2	•				
Champagne Metallic	PR5	2	•			•	•
Designer White High Gloss 65	P8W	2	•				
Graphite Metallic Texture	P85	2	•				
Gunmetal Metallic	PR3	2	•			•	•
Matte Gold	P8G	2					
Night Bronze	P8B	2	•			•	
Platinum Metallic	PR2	2	•			•	•
Pyrite	PJE	2	•			•	
Silver	PR6	2	•			•	
Silver Generic	SVR	2		•	•		
Silver Texture	PR8	2	•				
Solar Black	P8X	2	•			•	
Atom	P8S	3	•			•	
Blossom	P8K	3	•			•	
Bullseye	PJF	3	•			•	
Cabernet	P7T	3	•			•	
Conifer	P8H	3	•			•	
Ember	P8P	3	•			•	
Ion	P8N	3	•			•	
Iris	P8J	3	•			•	
Krypton	P8F	3	•			•	
Regatta	P8M	3	•			•	
Succulent	P8A	3					
Markerboard White	MKP	6					

# Finishes

Paint Name	Paint Code	Grade	Power Pole	Further Collaborative Hub Electrical	Further Adaptive Height-Adjustable Columns	Further	Cable Management Tray	Altitude A6 Table Bases	Altitude Table Bases and Utility Bay	Altitude Grommets and Power Rails	Gallery Panels Connectors	Hands Free Pulls	Universal Screens	Radij
Black	P27	1	•		•	•	•							
Black	P71	1						•	•	•	•		•	•
Black	BLK	1		•										
Brownstone	P7D	1	•			•	•			•	•	•	•	•
Bungalow	P7C	1	•			•	•			•	•	•		
Carbon	P4Q	1												
Charblack	CBK	1					•							
Charblack Metallic*	P80	1												
Cinder	P7Q	1				•	•			•	•	•	•	•
Designer White	WHT	1		•										
Designer White	PJW	1	•		•	•	•		•	•	•	•	•	•
Flint	P02	1	•			•	•			•	•	•	•	•
Fog	FOG	1												
Fossil	P28	1				•	•			•	•	•	•	•
Loft	P7B	1	•			•	•			•	•	•	•	•
Muslin	P4J	1	•			•	•			•	•	•	•	•
Nickel	P8L	1						•						
Parchment	P93	1				•	•							
Pebble	P8R	1				•	•			•	•	•	•	•
Pewter	P8D	1				•	•			•	•	•	•	•
Platinum Metallic Texture	P6H	1												
Putty	PJS	1												
Salt	P8C	1				•	•			•	•	•	•	•
Shadow	P4K	1												
Black Mica Texture	P6P	1												
Textured Brownstone	P7J	1										•		
Textured Designer White	PK7	1												
Textured Flint	P7A	1												
Textured Loft	P7L	1												
Textured Muslin	P7M	1												
Textured Pebble	P8Y	1												
Textured Salt	P8Z	1												
Textured Titanium	P8V	1										•		
Titanium	P8T / T	1				•	•			•	•	•	•	•
White	PD8	1						•						
Anodized Silver	PR0	2												
Champagne Metallic	PR5	2				•	•			•	•	•	•	•
Designer White High Gloss 65	P8W	2												
Graphite Metallic Texture	P85	2												
Gunmetal Metallic	PR3	2				•	•				•		•	•
Matte Gold	P8G	2												
Night Bronze	P8B	2				•				•	•	•		
Platinum Metallic	PR2	2				•	•							
Pyrite	PJE	2				•				•	•	•		
Silver	PR6	2		•	•	•			•	•	•	•	•	•
Silver Generic	SVR	2												
Silver Texture	PR8	2												
Solar Black	P8X	2				•				•	•	•	•	•
Atom	P8S	3				•				•	•	•	•	•
Blossom	P8K	3				•				•	•	•	•	•
Bullseye	PJF	3				•				•	•	•	•	•
Cabernet	P7T	3				•				•	•	•	•	•
Conifer	P8H	3				•				•	•	•	•	•
Ember	P8P	3				•				•	•	•	•	•
Ion	P8N	3				•				•	•	•	•	•
Iris	P8J	3				•				•	•	•	•	•
Krypton	P8F	3				•				•	•	•	•	•
Regatta	P8M	3				•				•	•	•	•	•
Succulent	P8A	3												•
Markerboard White	MKP	6								•			•	

FINISHES

# Finishes

FINISHES

Pattern Name	Code	Grade	Altitude	Further Gallery End Panels	Further Storage	Gallery Panels	Systems Worksurfaces
Ash	LT3B	1	•	•			•
Silver Mesh	LT8D	1	•	•			•
Black	P	1	•	•	•	•	•
Brownstone	LM13	1	•	•	•	•	•
Bungalow	LM12	1	•	•	•	•	•
Designer White 15051	LDW1	1	•	•	•	•	•
Flint	LM16	1	•	•	•	•	•
Fossil Shale	LEH1	1	•	•	•	•	•
Loft	LM11	1	•	•	•	•	•
Muslin	LM15	1	•	•	•	•	•
Titanium	LT11	1	•	•	•	•	•
Belair	LWBA	1	•	•	•	•	•
Bourbon Cherry	H	1	•	•	•	•	•
Field Elm	LWFE	1	•	•	•	•	•
Florence Walnut	LFW1	1	•		•	•	•
Kingswood Walnut	LK11	1	•		•	•	•
Natural Maple	LWD	1	•		•	•	•
NeoWalnut	LNU1	1	•		•	•	•
Pinnacle	PINC	1	•	•	•	•	•
Shaker Cherry	LW7C	1	•		•	•	•
Beigewood	LWBE	2	•		•	•	•
Fawn Cypress	LFC1	2	•		•	•	•
Lowell Ash	LLA1	2	•		•	•	•
Mangalore Mango	LMM1	2	•		•	•	•
Natural Recon	LNR1	2	•		•	•	•
Phantom Charcoal	LPC1	2	•		•	•	•
Phantom Ecru	LPE1	2	•		•	•	•
Portico Teak	LPT1	2	•		•	•	•
Skyline Walnut	LSW1	2	•		•	•	•
Veranda Teak	LVT1	2	•		•	•	•
Natural Walnut	LWNW	3	•		•	•	•

# Finishes

System Worksurfaces

Veneer Type	Stain Name	Code	Grade	
FSC Stratawood Cherry	Cinnamon Cherry	FSCSC260	1	•
FSC Stratawood Cherry	Lowell Ash	FSCSC394	1	•
FSC Stratawood Cherry	Clear Cherry	FSCSC700	1	•
FSC Stratawood Cherry	Light Cherry	FSCSC701	1	•
FSC Stratawood Cherry	Shaker Cherry	FSCSC774	1	•
FSC Stratawood Cherry	Burnished Cherry	FSCSC777	1	•
FSC Stratawood Maple	Field Elm	FSCSE599	1	•
FSC Stratawood Maple	Clear Maple	FSCSE800	1	•
FSC Stratawood Maple	Harvest Maple	FSCSE856	1	•
FSC Stratawood Maple	Beigewood	FSCSE878	1	•
FSC Stratawood Maple	Phantom Ecu	FSCSE912	1	•
FSC Stratawood Maple	Belair	FSCSE934	1	•
FSC Stratawood Rift Oak	Clear Oak	FSCSF300	1	•
FSC Stratawood Rift Oak	Dark Rift Oak	FSCSF331	1	•
FSC Stratawood Walnut	Florence Walnut	FSCST579	1	•
FSC Stratawood Walnut	Light Walnut	FSCST601	1	•
FSC Stratawood Walnut	Skyline Walnut	FSCST625	1	•
FSC Stratawood Walnut	Pinnacle Walnut	FSCST679	1	•
FSC Stratawood Walnut	Sumatra Walnut	FSCST693	1	•
FSC Natural Cherry	Cinnamon Cherry	FSCNC260	1	•
FSC Natural Cherry	Lowell Ash	FSCNC394	1	•
FSC Natural Cherry	Medium Red Cherry	FSCNC512	1	•
FSC Natural Cherry	Clear Cherry	FSCNC700	1	•
FSC Natural Cherry	Light Cherry	FSCNC701	1	•
FSC Natural Cherry	Shaker Cherry	FSCNC774	1	•
FSC Natural Cherry	Burnished Cherry	FSCNC777	1	•
FSC Natural Maple	Natural Maple-Clear	FSCNE800	1	•
FSC Natural Maple	Harvest Maple	FSCNE856	1	•
FSC Natural Walnut	Ebony Walnut	FSCNT509	1	•
FSC Natural Walnut	Florence Walnut	FSCNT579	1	•
FSC Natural Walnut	Light Walnut	FSCNT601	1	•
FSC Natural Walnut	Skyline Walnut	FSCNT625	1	•
FSC Natural Walnut	Nutmeg Walnut	FSCNT629	1	•
FSC Natural Walnut	Pinnacle Walnut	FSCNT679	1	•
FSC Natural Walnut	Sumatra Walnut	FSCNT693	1	•
FSC Natural Rift Oak	Fawn Cypress	FSCRF108	2	•
FSC Natural Rift Oak	Light Rift Oak	FSCRF301	2	•
FSC Rift Oak	Dark Rift Oak	FSCRF331	2	•
FSC Natural Rift Oak	Phantom Ecu	FSCRF912	2	•
Natural Cherry	Cinnamon Cherry	NC260	1	•
Natural Cherry	Lowell Cherry	NC394	1	•
Natural Cherry	Medium Red Cherry	NC512	1	•
Natural Cherry	Light Cherry	NC701	1	•
Natural Cherry	Shaker Cherry	NC774	1	•
Natural Cherry	Burnished Cherry	NC777	1	•
Natural Maple	Natural Maple-Clear	NE800	1	•
Natural Maple	Harvest Maple	NE856	1	•
Natural Rift Cut Oak	Fawn Cypress	RF108	2	•
Natural Rift Cut Oak	Light Rift Oak	RF301	2	•
Natural Rift Cut Oak	Dark Rift Oak	RF331	1	•
Natural Rift Cut Oak	Phantom Ecu	RF912	2	•
Natural Walnut	Ebony Walnut	NT509	1	•
Natural Walnut	Florence Walnut	NT579	1	•
Natural Walnut	Light Walnut	NT601	1	•
Natural Walnut	Skyline Walnut	NT625	1	•
Natural Walnut	Nutmeg Walnut	NT629	1	•
Natural Walnut	Pinnacle Walnut	NT679	1	•
Natural Walnut	Sumatra Walnut	NT693	1	•

FINISHES

# Finishes

System Worksurfaces

Veneer Type	Stain Name	Code	Grade	
Stratawood Cherry	Stratawood Cherry	SC260	1	•
Stratawood Cherry	Lowell Ash	SC394	1	•
Stratawood Cherry	Clear Cherry	SC700	1	•
Stratawood Cherry	Light Cherry	SC701	1	•
Stratawood Cherry	Shaker Cherry	SC774	1	•
Stratawood Cherry	Burnished Cherry	SC777	1	•
Stratawood Maple	Field Elm	SE599	1	•
Stratawood Maple	Clear Maple	SE800	1	•
Stratawood Maple	Harvest Maple	SE856	1	•
Stratawood Maple	Beigewood	SE878	1	•
Stratawood Maple	Phantom Ecrú	SE912	1	•
Stratawood Maple	Belair	SE934	1	•
Stratawood Silver Oak	Clear	SB100	1	•
Stratawood Silver Oak	Portico Teak	SB150	1	•
Stratawood Rift Oak	Clear Oak	SF300	1	•
Stratawood Rift Oak	Dark Rift Oak	SF331	1	•
Stratawood Walnut	Florence Walnut	ST579	1	•
Stratawood Walnut	Light Walnut	ST601	1	•
Stratawood Walnut	Skyline Walnut	ST625	1	•
Stratawood Walnut	Pinnacle Walnut	ST679	1	•
Stratawood Walnut	Sumatra Walnut	ST693	1	•

Pattern Name	Code	Grade	Beam	H-Halo	Square	Bar	Arch
Designer White	PJW	1	•	•	•	•	
Silver	PR6	1	•	•		•	
Black	P27	1				•	
Flint	P02	1			•		
Loft	P7B	1			•		
Matte Silver	EL	1			•		
Anodized Silver	PR0	1					•
Pyrite	PJE	2	•	•	•		
Solar Black	P8X	2	•	•	•		



Finishes .....	18-19
Introduction to Mural.....	20
Statement of Line .....	21
Overview.....	22
Planning Guidelines.....	23-26
Working with Electrical.....	27
<i>Fence</i>	
Frame.....	32
Tiles.....	33
Connectors.....	34
<i>Integrated Height-Adjustable Tables</i>	
Worksurfaces.....	35-36
Bases .....	37
Wire Management.....	38
<i>Privacy</i>	
Screen Frames .....	39
Screens .....	40-46
No-Screen Kits .....	47
Privacy Panel.....	49
Bent Screen.....	49
<i>Accessories</i>	
Accessories .....	48-52

## PAINT FINISHES

FRAME, TILE, CONNECTORS, END TRIM, SHELVES, NO SCREEN FILLER KIT, WIRE MANAGER TROUGH, POWER POLE, PANEL FEET, STIFFENERS, MARKERBOARD TRAY

### GRADE P1

Black .....	P71
Brownstone .....	P7D
Bungalow .....	P7C
Cinder .....	P7Q
Designer White .....	PJW
Flint .....	P02
Fossil .....	P28
Loft .....	P7B
Muslin .....	P4J
Parchment .....	P93
Pebble .....	P8R
Pewter .....	P8D
Salt .....	P8C
Titanium .....	P8T

### GRADE P2

Champagne Metallic .....	PR5
Gunmetal Metallic .....	PR3
Night Bronze .....	P8B
Platinum Metallic .....	PR2
Pyrite .....	PJE
Silver .....	PR6
Solar Black .....	P8X

### GRADE P3

Atom .....	P8S
Blossom .....	P8K
Bullseye .....	PJF
Ember .....	P8P
Ion .....	P8N
Iris .....	P8J
Krypton .....	P8F
Regatta .....	P8M
Succulent .....	P8A
Amethyst .....	P091
Cobalt Mica .....	P090
Ochre .....	P093
Sienna .....	P092

## INTEG. DESK

### GRADE P1

Black .....	P71
Brownstone .....	P7D
Cinder .....	P7Q
Designer White .....	PJW
Flint .....	P02
Fossil .....	P28
Loft .....	P7B
Muslin .....	P4J
Nickel .....	P8L
Parchment .....	P93
Pebble .....	P8R
Pewter .....	P8D
Salt .....	P8C
Titanium .....	P8T

### GRADE P2

Champagne Metallic .....	PR5
Gunmetal Metallic .....	PR3
Night Bronze .....	P8B
Platinum Metallic .....	PR2
Silver .....	PR6

### GRADE P3

Bullseye .....	PJF
Regatta .....	P8M

## COLLABORATIVE BOARD

### GRADE P1

Black .....	P71
Brownstone .....	P7D
Bungalow .....	P7C
Cinder .....	P7Q
Designer White .....	PJW
Flint .....	P02
Fossil .....	P28
Loft .....	P7B
Muslin .....	P4J
Parchment .....	P93
Pebble .....	P8R
Pewter .....	P8D
Salt .....	P8C
Titanium .....	P8T

### GRADE P2

Champagne Metallic .....	PR5
Gunmetal Metallic .....	PR3
Night Bronze .....	P8B
Platinum Metallic .....	PR2
Pyrite .....	PJE
Silver .....	PR6
Solar Black .....	P8X

### GRADE P3

Atom .....	P8S
Blossom .....	P8K
Bullseye .....	PJF
Ember .....	P8P
Ion .....	P8N
Iris .....	P8J
Krypton .....	P8F
Regatta .....	P8M
Succulent .....	P8A
Amethyst .....	P091
Cobalt Mica .....	P090
Ochre .....	P093
Sienna .....	P092

### GRADE P6

Markerboard White .....	MKP
-------------------------	-----

## PLANTER

### GRADE P1

Textured Brownstone .....	P7J
Textured Designer White .....	PK7
Textured Flint .....	P7A
Textured Loft .....	P7L
Textured Muslin .....	P7M
Textured Pebble .....	P8Y
Textured Salt .....	P8Z
Textured Titanium .....	P8V

### GRADE P2

Silver Texture .....	PR8
Solar Black .....	P8X

## SCREEN FINISHES

### FABRIC SCREENS

#### GRADE A - NOBLE

Bordeaux .....	NBLE01
Brick .....	NBLE02
Mesa .....	NBLE03
Clementine .....	NBLE04
Rainforest .....	NBLE05
Jade .....	NBLE06
Grass .....	NBLE07
Pacific .....	NBLE08
Denim .....	NBLE09
Chambray .....	NBLE10
Regal .....	NBLE11
Harvest .....	NBLE12
Dawn .....	NBLE13
Aspen .....	NBLE14
Gunmetal .....	NBLE15
Stormy .....	NBLE16
Knight .....	NBLE17

\*Note: At launch, Grade A Noble will be the available fabric screen option. Over time, additional Noble colors and standard fabric patterns will be added for specification on screens.

### VENEER SCREENS

#### GRADE 1 - STRATAWOOD CHERRY

Cinnamon Cherry .....	SC260
Lowell Ash .....	SC394
Clear Cherry .....	SC700
Shaker Cherry .....	SC774
Light Cherry .....	SC701
Burnished Cherry .....	SC777

#### GRADE 1 - STRATAWOOD MAPLE

Clear Maple .....	SE800
Harvest Maple .....	SE856
Phantom Ecu .....	SE912
Field Elm .....	SE599
Belair .....	SE934
Beigewood .....	SE878

#### GRADE 1 - STRATAWOOD SILVER OAK

Portico Teak .....	SB150
Clear .....	SB100

#### GRADE 1 - STRATAWOOD RIFT OAK

Clear Oak .....	SF300
Dark Rift Oak .....	SF331

#### GRADE 1 - STRATAWOOD WALNUT

Light Walnut .....	ST601
Skyline Walnut .....	ST625
Pinnacle Walnut .....	ST679
Sumatra Walnut .....	ST693
Florence Walnut .....	ST579

#### GRADE 1 - ROTARY CUT MAPLE

Clear .....	RC800
-------------	-------

#### GRADE 2 - SPECIAL CODES

Cust Stn Stratawood Cherry .....	XSC
Cust Stn Stratawood Maple .....	XSE
Cust Stn Stratawood Rift Oak .....	XSF
Cust Stn Stratawood Walnut .....	XST

## LAMINATE SCREENS

### L1 ABSTRACT

Handspun Pearl .....	LAHP
Handspun Dove .....	LAHD
Handspun Slate .....	LAHS
Handspun Chestnut .....	LAHC
Silver Mesh .....	LT8D

### L1 SOLID

Black .....	P
Brownstone .....	LM13
Bungalow .....	LM12
Flint .....	LM16
Fossil Shale .....	LEH1
Loft .....	LM11
Muslin .....	LM15
Titanium .....	LT11
Designer White 15051 .....	LDW1

### L1 WOODGRAIN

Belair .....	LWBA
Bourbon Cherry .....	H
Field Elm .....	LWFE
Florence Walnut .....	LFW1
Kingswood Walnut .....	LK11
Natural Maple .....	LWD
NeoWalnut .....	LN1
Pinnacle .....	PINC
Shaker Cherry .....	LW7C

### L2 WOODGRAIN

Beigewood .....	LWBE
Lowell Ash .....	LLA1
Natural Recon .....	LNR1
Portico Teak .....	sLPT1
Skyline Walnut .....	LSW1
Veranda Teak .....	LVT1
Fawn Cypress .....	LFC1
Mangalore Mango .....	LMM1
Phantom Ecu .....	LPE1

### L3 WOODGRAIN

Natural Walnut .....	LWNW
----------------------	------

### L5 MARKERBOARD

White Markerboard .....	FMQ1
-------------------------	------

### PET SCREENS

Dark Grey .....	DGY4
Medium Grey .....	DGY3
Light Brown .....	DBR1
Light Blue .....	DLB1
Lightest Grey .....	DGY2
Black .....	DBK1

### MESH SCREENS

Chalk .....	CHK
Greystone .....	GRS
Pewter .....	PEW

### GLASS SCREENS

Markerboard .....	GMB1
-------------------	------

### ACRYLIC SCREENS

Clear .....	ASC
Frosted .....	ASF

## FREESTANDING SCREEN FINISHES

### MURAL BENT SCREEN

#### GRADE 1 PAINT

Textured Salt .....P8Z

#### GRADE 2 PAINT

Solar Black .....P8X

#### FABRIC

Noble .....NBLE

### MURAL PRIVACY PANEL

#### GRADE 1 PAINT

Black .....P71  
 Brownstone .....P7D  
 Bungalow .....P7C  
 Cinder .....P7Q  
 Designer White .....PJW  
 Flint .....P02  
 Fossil .....P28  
 Loft .....P7B  
 Muslin .....P4J  
 Parchment .....P93  
 Pebble .....P8R  
 Pewter .....P8D  
 Salt .....P8C  
 Titanium .....P8T

#### GRADE 2 PAINT

Champagne Metallic .....PR5  
 Gunmetal Metallic .....PR3  
 Night Bronze .....P8B  
 Platinum Metallic .....PR2  
 Pyrite .....PJE  
 Silver .....PR6  
 Solar Black .....P8X

#### GRADE 3 PAINT

Atom .....P8S  
 Blossom .....P8K  
 Bullseye .....PJF  
 Ember .....P8P  
 Ion .....P8N  
 Iris .....P8J  
 Krypton .....P8F  
 Regatta .....P8M  
 Succulent .....P8A

#### GRADE 6 PAINT

Markerboard White .....MKP

### MURAL PRIVACY PANEL

#### L1 ABSTRACT

Handspun Pearl .....LAHP  
 Handspun Dove .....LAHD  
 Handspun Slate .....LAHS  
 Handspun Chestnut .....LAHC

#### L1 SOLID

Black .....P  
 Brownstone .....LM13  
 Bungalow .....LM12  
 Flint .....LM16  
 Fossil Shale .....LEH1  
 Loft .....LM11  
 Muslin .....LM15  
 Titanium .....LTI1  
 Designer White 15051 .....LDW1

#### L1 WOODGRAIN

Belair .....LWBA  
 Bourbon Cherry .....H  
 Field Elm .....LWFE  
 Florence Walnut .....LFW1  
 Kingswood Walnut .....LK11  
 Natural Maple .....LWD  
 NeoWalnut .....LNU1  
 Pinnacle .....PINC  
 Shaker Cherry .....LW7C

#### L2 WOODGRAIN

Beigewood .....LWBE  
 Lowell Ash .....LLA1  
 Natural Recon .....LNR1  
 Portico Teak .....LPT1  
 Skyline Walnut .....LSW1  
 Veranda Teak .....LVT1  
 Fawn Cypress .....LFC1  
 Mangalore Mango .....LMM1  
 Phantom Ecu .....LPE1

#### L3 WOODGRAIN

Natural Walnut .....LWNW

#### EDGE OPTIONS:

Beigewood .....DE  
 Belair .....BA  
 Black .....E4  
 Bourbon Cherry .....H  
 Brownstone .....EY  
 Bungalow .....EX  
 Designer White .....DW  
 Fawn Cypress .....FC  
 Field Elm .....FE  
 Flint .....E9  
 Florence Walnut .....FW  
 Fossil .....EH  
 Kingswood Walnut .....KI  
 Loft .....EV  
 Lowell Ash .....DL  
 Mangalore Mango .....MM  
 Muslin .....EU  
 Natural Maple .....DD  
 Natural Recon .....NR  
 Natural Walnut .....DN  
 NeoWalnut .....NU  
 Phantom Ecu .....PE  
 Pinnacle .....PI  
 Portico Teak .....DP  
 Shaker Cherry .....DF  
 Skyline Walnut .....SW  
 Titanium .....TI  
 Veranda Teak .....VT

## LAMINATE OPTIONS

### FLAT EDGE INTEG. DESK TOP

#### GRADE L1 ABSTRACT

Ash .....LT3B  
 Silver Mesh .....LT8D  
 Handspun Pearl .....LAHP  
 Handspun Dove .....LAHD  
 Handspun Slt .....LAHS  
 Handspun Chestnut .....LAHC

#### GRADE L1 SOLID

Black .....P  
 Brownstone .....LM13  
 Bungalow .....LM12  
 Flint .....LM16  
 Fossil Shale .....LEH1  
 Loft .....LM11  
 Muslin .....LM15  
 Titanium .....LTI1  
 Designer White 15051 .....LDW1

#### GRADE L1 WOODGRAIN

Belair .....LWBA  
 Bourbon Cherry .....H  
 Field Elm .....LWFE  
 Florence Walnut .....LFW1  
 Kingswood Walnut .....LK11  
 Natural Maple .....LWD  
 NeoWalnut .....LNU1  
 Pinnacle .....PINC  
 Shaker Cherry .....LW7C

#### GRADE L2 WOODGRAIN

Beigewood .....LWBE  
 Lowell Ash .....LLA1  
 Natural Recon .....LNR1  
 Portico Teak .....LPT1  
 Skyline Walnut .....LSW1  
 Veranda Teak .....LVT1  
 Fawn Cypress .....LFC1  
 Mangalore Mango .....LMM1  
 Phantom Ecu .....LPE1

#### GRADE L3 WOODGRAIN

Natural Walnut .....LWNW

#### FLAT EDGE OPTION

Beigewood .....DE  
 Belair .....BA  
 Black .....E4  
 Bourbon Cherry .....H  
 Brownstone .....EY  
 Bungalow .....EX  
 Designer White .....dw  
 Fawn Cypress .....FC  
 Field Elm .....FE  
 Flint .....E9  
 Florence Walnut .....FW  
 Fossil .....EH  
 Kingswood Walnut .....KI  
 Loft .....EV  
 Lowell Ash .....DL  
 Mangalore Mango .....MM  
 Muslin .....EU  
 Natural Maple .....DD  
 Natural Recon .....NR  
 Natural Walnut .....DN  
 NeoWalnut .....NU  
 Parchment .....EN  
 Phantom Ecu .....PC  
 Pinnacle .....PI  
 Platinum Metallic .....EP  
 Plyband .....PL  
 Portico Teak .....DP  
 Shaker Cherry .....DF  
 Skyline Walnut .....SW  
 Titanium .....TI  
 Veranda Teak .....VT

### EASED EDGE INTEG. DESK TOP

#### GRADE L1 SOLID

Designer White .....LDW1  
 Loft .....LM11

#### GRADE L1 WOODGRAIN

Natural Maple .....LWD

#### GRADE L2 WOODGRAIN

Natural Recon .....LNR1

#### SHELF

#### GRADE L1 ABSTRACT

Handspun Pearl .....LAHP  
 Handspun Dove .....LAHD  
 Handspun Slate .....LAHS  
 Handspun Chestnut .....LAHC

#### GRADE L1 SOLID

Black .....P  
 Brownstone .....LM13  
 Bungalow .....LM12  
 Flint .....LM16  
 Fossil Shale .....LEH1  
 Loft .....LM11  
 Muslin .....LM15  
 Titanium .....LTI1  
 Designer White 15051 .....LDW1

#### GRADE L1 WOODGRAIN

Belair .....LWBA  
 Bourbon Cherry .....H  
 Field Elm .....LWFE  
 Florence Walnut .....LFW1  
 Kingswood Walnut .....LK11  
 Natural Maple .....LWD  
 NeoWalnut .....LNU1  
 Pinnacle .....PINC  
 Shaker Cherry .....LW7C

#### GRADE L2 WOODGRAIN

Beigewood .....LWBE  
 Lowell Ash .....LLA1  
 Natural Recon .....LNR1  
 Portico Teak .....LPT1  
 Skyline Walnut .....LSW1  
 Veranda Teak .....LVT1  
 Fawn Cypress .....LFC1  
 Mangalore Mango .....LMM1  
 Phantom Ecu .....LPE1

#### GRADE L3 WOODGRAIN

Natural Walnut .....LWNW

### EASED EDGE OPTION

#### GRADE L1 SOLID

Designer White .....DW  
 Loft .....EV

#### GRADE L1 WOODGRAIN

Natural Maple .....DD

#### GRADE L2 WOODGRAIN

Natural Recon .....NR

### SHELF EDGE OPTION

Beigewood .....DE  
 Belair .....BA  
 Black .....E4  
 Bourbon Cherry .....H  
 Brownstone .....EY  
 Bungalow .....EX  
 Designer White .....DW  
 Fawn Cypress .....FC  
 Field Elm .....FE  
 Flint .....E9  
 Florence Walnut .....FW  
 Fossil .....EH  
 Kingswood Walnut .....KI  
 Loft .....EV  
 Lowell Ash .....DL  
 Mangalore Mango .....MM  
 Muslin .....EU  
 Natural Maple .....DD  
 Natural Recon .....NR  
 Natural Walnut .....DN  
 NeoWalnut .....NU  
 Phantom Ecu .....PE  
 Pinnacle .....PI  
 Portico Teak .....DP  
 Shaker Cherry .....DF  
 Skyline Walnut .....SW  
 Titanium .....TI  
 Veranda Teak .....VT

## ENHANCED CONNECTOR OPTIONS

### FLEX SLEEVE OPTIONS

Light .....LT  
 Medium .....MD  
 Dark .....DK

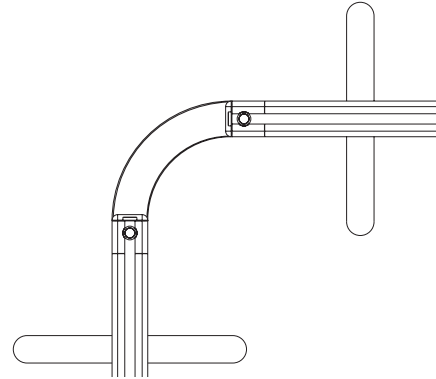
## ELECTRICAL AND DATA COMPONENTS

Black .....E4  
 Brownstone .....EY  
 Designer White .....DW  
 Flint .....E9  
 Loft .....EV  
 Muslin .....EU  
 Silver .....ES

Mural offers a unique way to plan and divide space with a movable base structure that easily accommodates reconfiguration. A wide selection of inserts plus shelves, provide the desired privacy and functionality for each workspace; with movable and freestanding screens offering an additional level of privacy when needed. Integrated or freestanding height-adjustable surfaces allow users to change postures throughout the day for comfort and productivity. The result is a system that invites individuals to customize their workspace to fit their workstyle and reflect their personality.

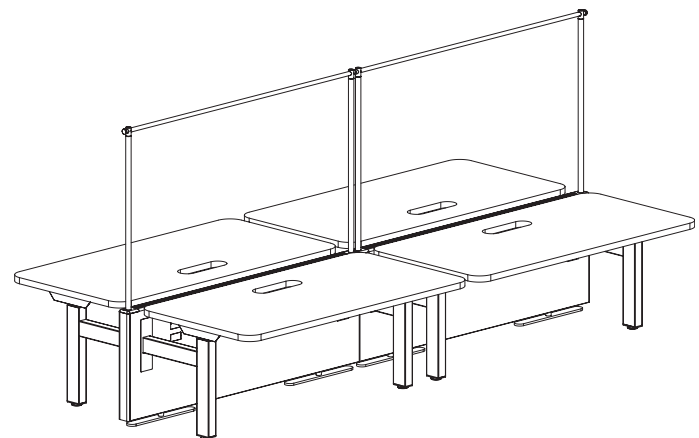
### It's All in the "Flex"

Mural's flex connector transforms a static station into an adaptable station. Bringing new meaning to organic configurations, Mural's possibilities are limitless.



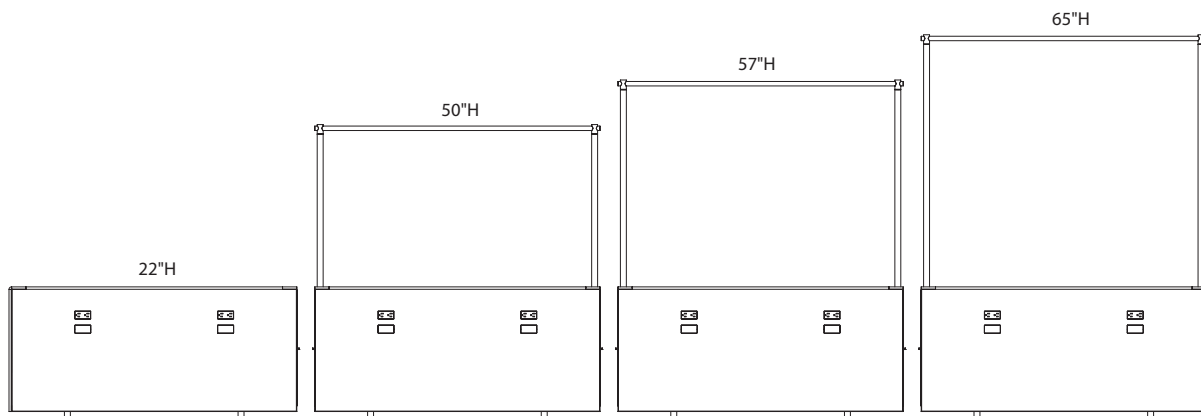
### Integrated Height-Adjustability

Mural stations can integrate 2-stage or 3-stage height-adjustable tables with ease. Freestanding height-adjustable tables can also be paired with Mural's fence.

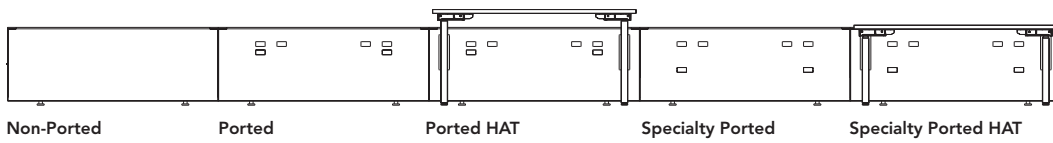


### Privacy to Fit Your Organization's Need

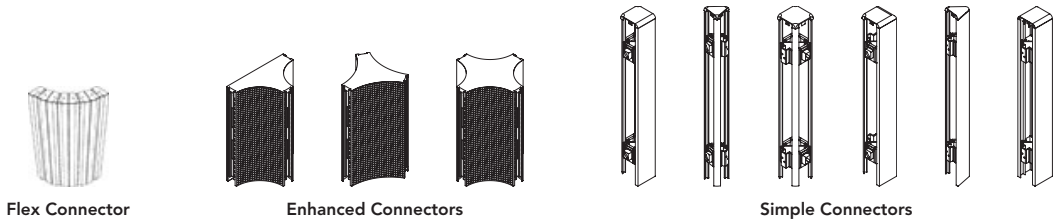
Vertical screen frames support a variety of screening options that support user comfort and privacy.



## FENCE & CONNECTORS

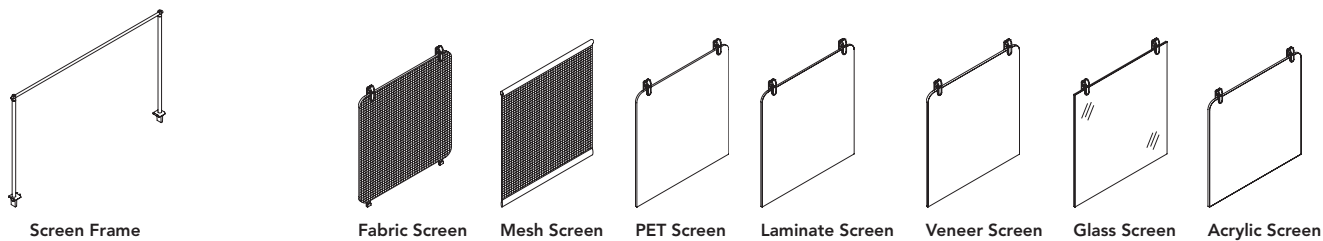


Non-Ported      Ported      Ported HAT      Specialty Ported      Specialty Ported HAT



Flex Connector      Enhanced Connectors      Simple Connectors

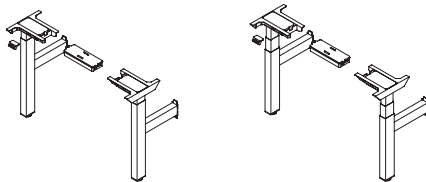
## PRIVACY



Screen Frame      Fabric Screen      Mesh Screen      PET Screen      Laminate Screen      Veneer Screen      Glass Screen      Acrylic Screen

## INTEGRATED HEIGHT-ADJUSTABLE TABLES

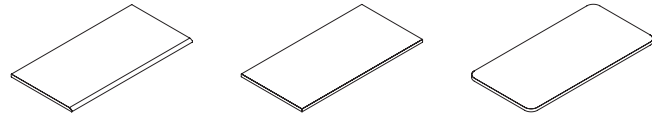
### BASE



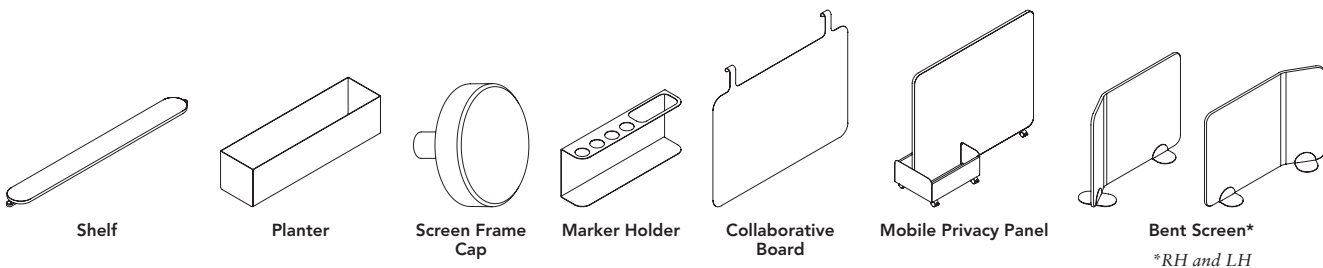
2-Stage      3-Stage

*\*Adjustable leg kits and crossbars sold separately.*

### WORKSURFACES

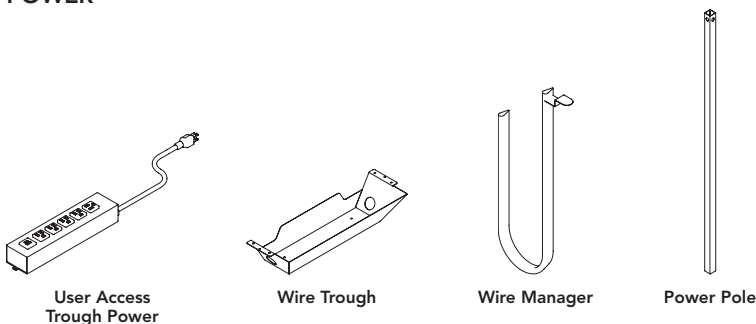


## ACCESSORIES

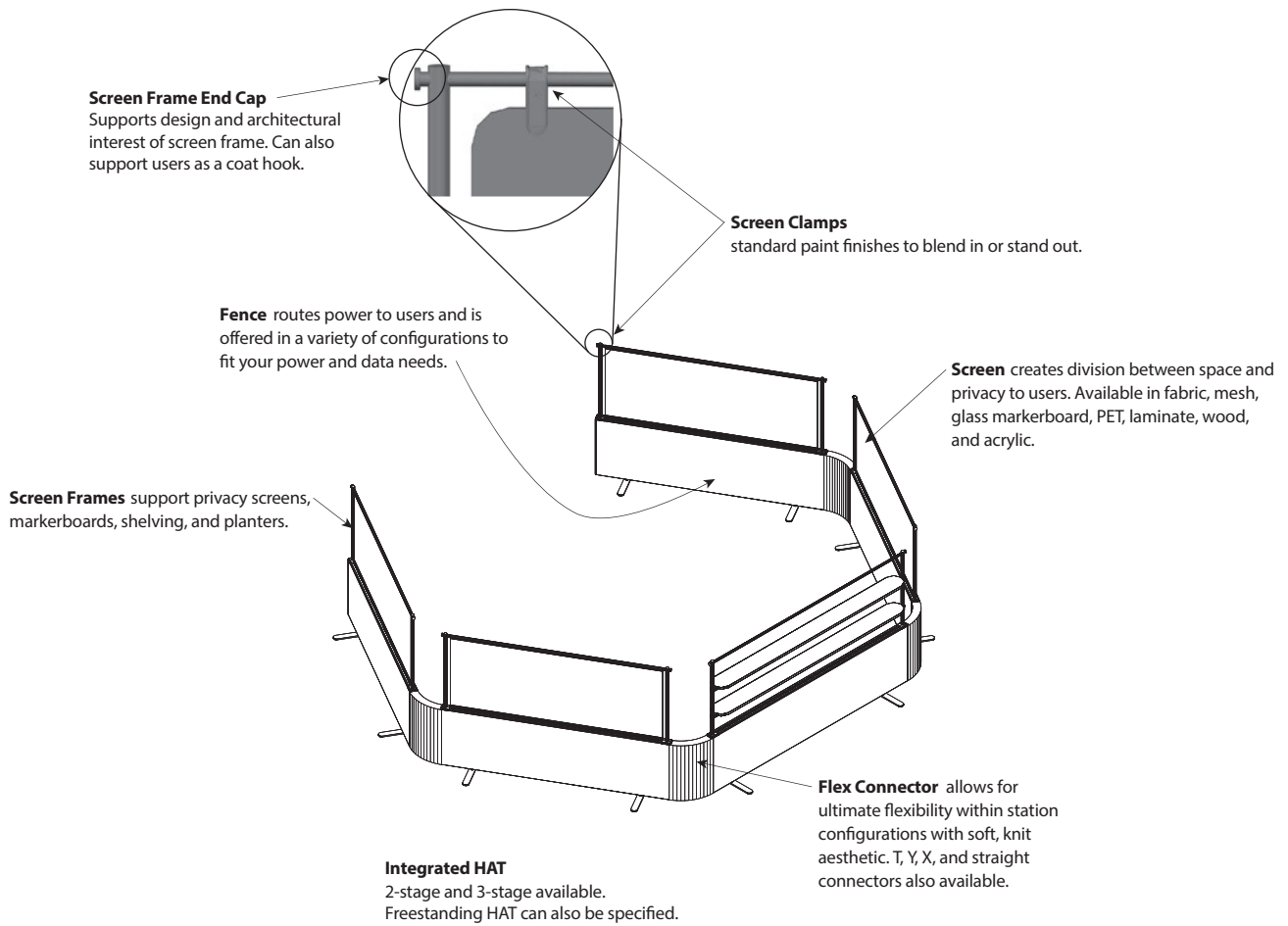


Shelf      Planter      Screen Frame Cap      Marker Holder      Collaborative Board      Mobile Privacy Panel      Bent Screen\*  
\*RH and LH

## POWER



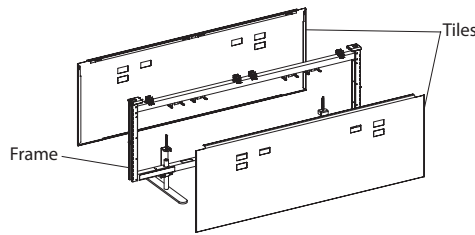
User Access Trough Power      Wire Trough      Wire Manager      Power Pole



MURAL

NOTE: Mural Typicals can be found at <https://www.allsteeloffice.com/design-resources/idea-starters>.

Fence & Connectors

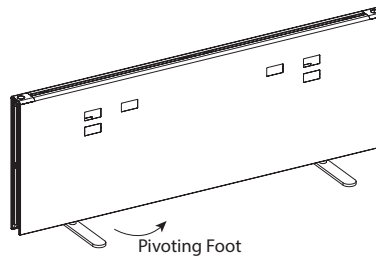


**Fence:**

- The fence is made up of a frame and tiles.
- Connectors attach to fence to create desired configurations.
- Screen Frames attach to top of fence for integrated vertical privacy solution.
- When screen frames are not specified, a No-Screen Frame Filler Kit (SAFILLERKITNF) should be specified.
- When screens are not used, screen filler kits should be specified to fill screen gap.
- In-line connections possible with and without connectors. Other connectors available, see connector section.
- Overall Depth: 2.6"
- Overall Height: 22"
- Overall Width: 30", 36", 42", 48", 54", 60", 66", 72", 84"

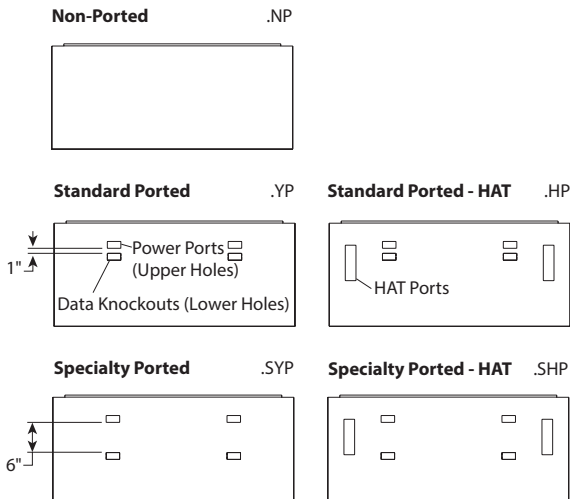
**Frames:**

- Pivoting foot included with frame.
- Pivoting foot dimensions: 17" L x 2" W.
- Pivoting foot allows for 3" of leveling adjustment.
- Pivoting foot can be turned in when adjacent to gallery panels, panel returns, and simple/enhanced connectors.
- Pivoting feet can be turned in when tethered to an integrated height-adjustable table.
- 30" W fence will only have room for one foot to be pivoted inwards.
- Frames > 60" W ship as two frames and are adjoined in the field.
- Pivoting feet must be turned out when using a 2-way Y connector on freestanding applications.
- Gallery panels must be at least 33" W x 42½" H and attached next to foot locations to turn feet in on single-sided applications.



**Tiles:**

- Painted steel tile.
- Specified as non-ported, ported, and integrated desk (always ported).
- 2 data knockouts per side for ported tiles.
- Specialty tiles available with data ports spaced 6" lower than power in both ported and HAT tiles.
- Tiles up to 54" come with 2 electrical knockouts per side.
- 60" and greater tiles have 4 electrical knockouts per side.
- Port cover model available for day 2 reconfigurations.
- Data ports are knock-outs and do not have to be used.



\*Tiles shown are 48" W

**Connectors:**

- Organic and linear planning made possible through variety of connector options.
- Flex connector featuring knit cover, available in 3 colors.
- Flex connector enables end panels to be user movable.
- Enhanced connectors featuring knit cover available in X, Y, and T configurations.
- Simple Connectors available in straight, L, X, T, Y (2-way), and 7 (3-way) configurations.
- Enhanced connector top trim and simple connectors available in Allsteel standard paints.
- Use of extended straight connectors allow for equal length of run when there isn't a return fence specified.

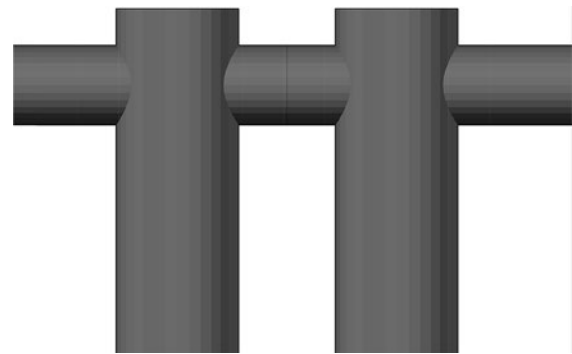
Flex Connection	T-Connection	Y-Connection (3-way)	X-Connection	L-Connection	Y-Connection (2-way)	Straight Connection
SC12SF	SC12TF/SC12TS	SC12YF/SC12YS3	SC12XF/SC12XS	SC12LS	SC12YS2	SC12SS



## Screen Frames + Screens

### Screen Frames:

- Screen frame supports screens, shelves, and planters.
- Screen frame cap sold separately.
- Adds additional height to fence: 26"H (50"H), 34"H (57½"H), 41"H (65"H).
- Screen frame width only compatible with associated fence (30"W Screen Frame = 30"W fence).
- Screen frame aligner hardware must be used in linear application.
- When specifying in-line, fence connections screen frame heights must match.
- Available in Allsteel standard paints.
- Maximum of 10 lbs for decorative accents suspended from screen frame. Consider collaborative board within weight requirements.



### Screens:

- Available in fabric, PET, mesh, acrylic, glass, laminate, and veneer.
- Screen heights must match screen frame height. Refer to screen frame compatibility for width requirements.
- When two half screens are used within screen frame, SAFILLERKIT1 filler kit should be specified.
- Screen clamps attach screens to screen frame.
- Screen clamps available in Allsteel standard paints.
- Screen clamps hardware always silver. Clamping pads will always be black.
- See screen frame compatibility chart.
- When screens are not used, filler kits should be specified to fill fence gaps. See screen filler kit compatibility chart.
- Mesh does not need screen clamps.
- Veneer screens larger than 60" wide are available with horizontal grain only.

### Shelves:

- Pill shape laminate shelf available in Allsteel standard laminates.
- Maximum 2 shelves per screen frame.
- Do not specify monitor arms with integrated height-adjustable tables and screen frame shelves.
- Shelves come with all screen frame mounting hardware. Hardware will always be black. Shelf screen clamp and stiffener are available in standard Allsteel paint finishes.
- Shelf hardware is only compatible with Mural Screen frames.
- Shelves can support decorative accents with a maximum weight capacity of 25 lbs.
- Shelf is ¾" thick

### Planters:

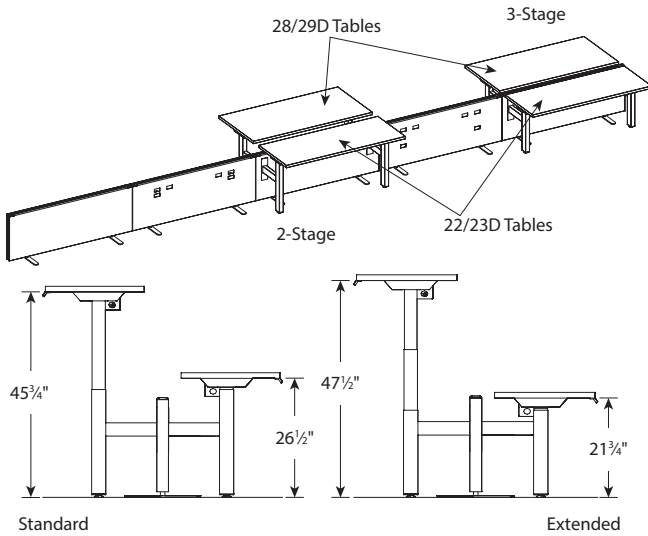
- Planters introduce biophilia and personality to the workstation.
- Mount directly to laminate shelves. Planter comes with pilot holes and hardware. Shelves do not have pilot holes to allow for flexibility in placement.
- One planter per shelf.
- Internal dimensions: 6"H, 6"D, 24"W.
- Does not come with liner.
- Available in 10 paint finishes.

### Screen Frame Compatibility

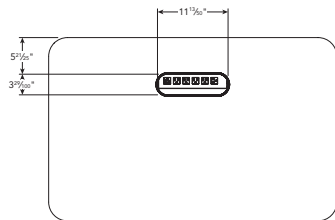
Screen Frame	Full Width	Half Width
30"W	25"W	—
36"W	31"W	—
42"W	37"W	—
48"W	43"W	—
54"W	49"W	—
60"W	55"W	27"W x2
66"W	61"W	30"W x2
72"W	67"W	33"W x2
84"W	79"W – Mesh Only	39"W x2

### Screen Filler Kit Compatibility

Screen Frame	Filler Kit	Half Screen
30"W	SAFILLERKIT25	—
36"W	SAFILLERKIT31	—
42"W	SAFILLERKIT37	—
48"W	SAFILLERKIT43	—
54"W	SAFILLERKIT49	—
60"W	SAFILLERKIT55	SAFILLERKIT27
66"W	SAFILLERKIT61	SAFILLERKIT30
72"W	SAFILLERKIT67	SAFILLERKIT33
84"W	SAFILLERKIT79	SAFILLERKIT39



**Worksurface:**



**Mural Power Bay:**

- User Access grommet conveniently tucks power and cords away into under worksurface tray.
- User access power possible through specifying Mural Power Bay grommet option, power, and wire management trough.
- Mural Power Bay grommet option specified on the .option. Grommet color is determined by laminate edge band.
- Grommet is always an oval and centered on worksurface, see visual above for dimensions.
- Power (SEDMUP) must be specified with either SEDMW20 or SEDMW30 to provide user access to power.

**Collaborative Boards:**

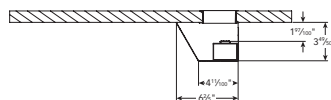
- User Movable, magnetic collaborative boards.
- Specify marker board paint for a writable surface option.
- Available in two sizes: 17" H x 24" W and 27" H x 24" W.

**Bent Screens:**

- Upholstered freestanding bent screen provides user privacy in solo stations and collaborative areas.
- Available as left-handed and right-handed.
- Foot is available in textured salt or solar black.
- Screen dimensions: 52" H x 68" W.

**Wire Management:**

- Under worksurface tray conveniently stores power strip and unneeded cords throughout the day.
- Tray is available Allsteel standard paints.
- 20" W trough compatible with 46" W and 52" W worksurfaces.
- 30" W trough compatible with worksurfaces 58" W and greater.
- Trough will always be black.
- Fabric wire manager offers a softer approach to wire management and discreetly routes cords to fence receptacles.
- Reference visual above for wire manager trough dimensions.



**Integrated Height-Adjustable Bases:**

- 2-stage (26 1/2" to 45 3/4") and 3-stage (21 3/4" to 47 1/2").
- 250 lbs weight rating.
- Tables feature **collision detection**, a feature designed to stop table travel when the table detects an obstacle.
- Memory control, basic up/down control, paddle control, and foot control available as a .option.
- Compatible with 48" – 72" fence configurations.
- Height-adjustable legs and crossbar kit specified separately. Unique crossbar kits to accommodate single and dual sided applications as well as 22/23" D and 28/29" D worksurfaces.
- Dual sided crossbar kits should **ONLY** be specified when two integrated height-adjustable bases are specified.
- Must specify with Integrated HAT tile option.
- Leg seamlessly integrates into fence.
- 2 1/2" of leveling adjustment.
- **Radii hanging pedestals on single-sided integrated Mural height adjustable tables are not allowed from a stability perspective.**
- **On a double-sided application (integrated HATs on both sides of the fence) it is allowed, Radii hanging pedestals will need to sit inset of the height adjustable leg.**

A3 (T-Leg) A6 (C-Leg)

24"D 30"D 24"D 30"D

		○	○	○	●
AUFD15N	Flush Undermount Pull-Out Drawer	○	○	○	●
AUFH15N/AUFHL15N	Flush Undermount RH/LH Hinge Door	○	○	○	●
AUFO15N	Flush Undermount Open Bin	○	○	○	●
AUCL15N/AUCL15U	Console Undermount L-Cube	○	○	○	○
AUCH15N/AUCH15U	Console Undermount RH Hinge Door	○	○	○	○
AUCLH15N/AUCLH15U	Console Undermount LH Hinge Door	○	○	○	○

**Legend**

●	Works, unit may sit flush to LH or RH edge of worksurface
○	Works, unit must sit inset of height-adjustable leg

**Mural Worksurfaces:**

- Rectangular, Rounded, and Eased Edge worksurfaces available.
- Primary worksurface depths are 22" D, 23" D, 28" D, and 29" D.
- Mural Power Bay and standard grommet options available.
- Worksurfaces compatible with all integrated height-adjustable bases.
- 23" D, 28" D, and 29" D worksurfaces compatible with freestanding A6 T-Leg, C-Leg bases. 22" D worksurfaces compatible with freestanding A6 T-leg bases **ONLY**.

**Marker Holder:**

- Can hold 4 markers and an eraser.
- Magnetic attachment makes accessory easy to move from steel surfaces.
- Available in Allsteel Standard Paints.

**Privacy Collaboration Panel:**

- Rolling collaboration panel with dual-sided bin.
- Specify markerboard laminate for writable surface option.
- Panel and bin laminate specified separately for design flexibility.
- Screen Dimensions: 50" H x 60" W.
- Bin Dimensions: 8" H x 24" W x 8.5" D.

**Marker Boards:**

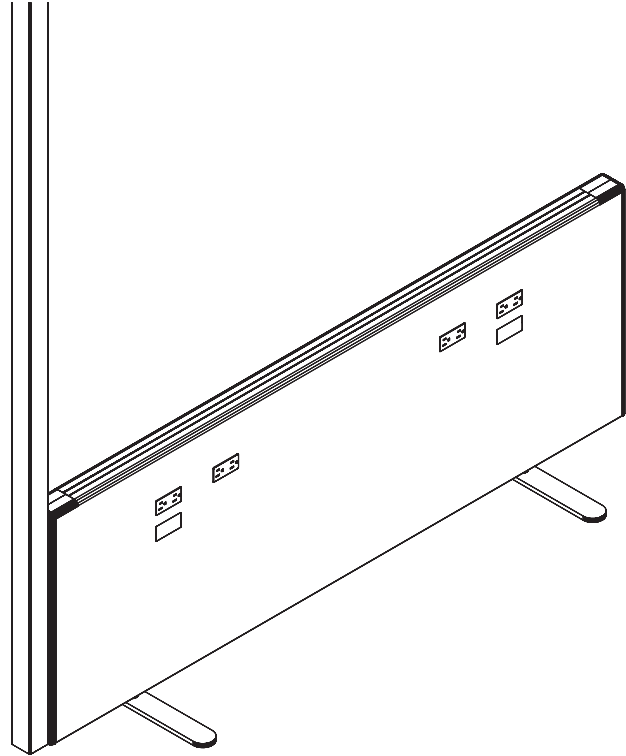
- Thoroughly erase your marker board after every use.
- Marker boards should be cleaned weekly with marker board cleaner. Reminder: Completely erase the board before applying any cleaners.
- Leaving ink on the board for an extended period of time may lead to images remaining on the board, commonly known as "ghosting", after erasing.
- To avoid ghosting, clean your board weekly with marker board cleaner.
- Expo brand dry-erase markers are recommended for best erasing results.
- Avoid using red and orange markers for easier cleaning and to reduce the likelihood of ghosting.
- Do not use permanent or non-dry erase markers.
- To maintain eraser performance, follow manufacturer's instructions.

### Mural Electrical Systems

Power can come from a wall, floor or ceiling infeed.

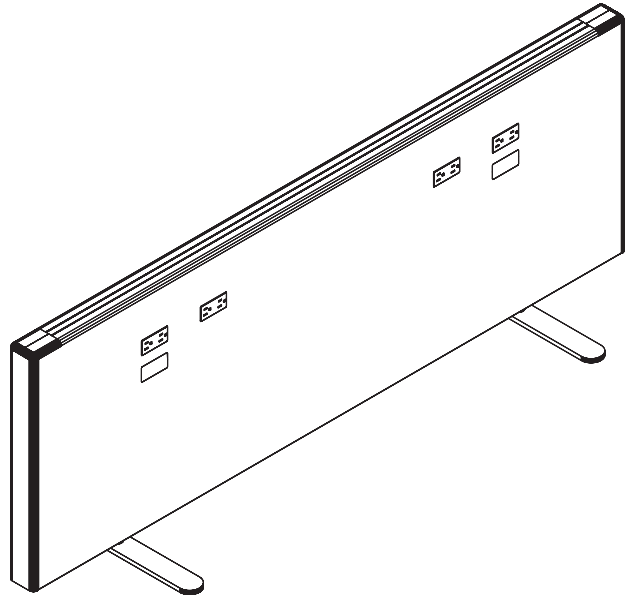
#### Ceiling Infeed:

- Requires a power pole, either freestanding next to the system or integrated into an enhanced connector ( X, T, Y).
- When power pole is freestanding, the electrical infeed either:
  - Leaves the pole at the floor level, enters the system in the same way that a floor infeed would.
  - Leaves the pole part-way to the floor and enters through the side infeed trim (SC22ETE). This method requires installers cut a hole in the power pole at the correct height to line up with the hole in the infeed trim.
- When integrated, with power pole mounting kit, the infeed goes directly through the top of the enhanced connector.



#### Floor Infeed:

- Enters through the bottom of the system.
- Points of entry are accessible at the center of each section of panel.
- Enhanced connectors have access point underneath for floor infeed.
- Infeed cannot be routed through simple connectors.

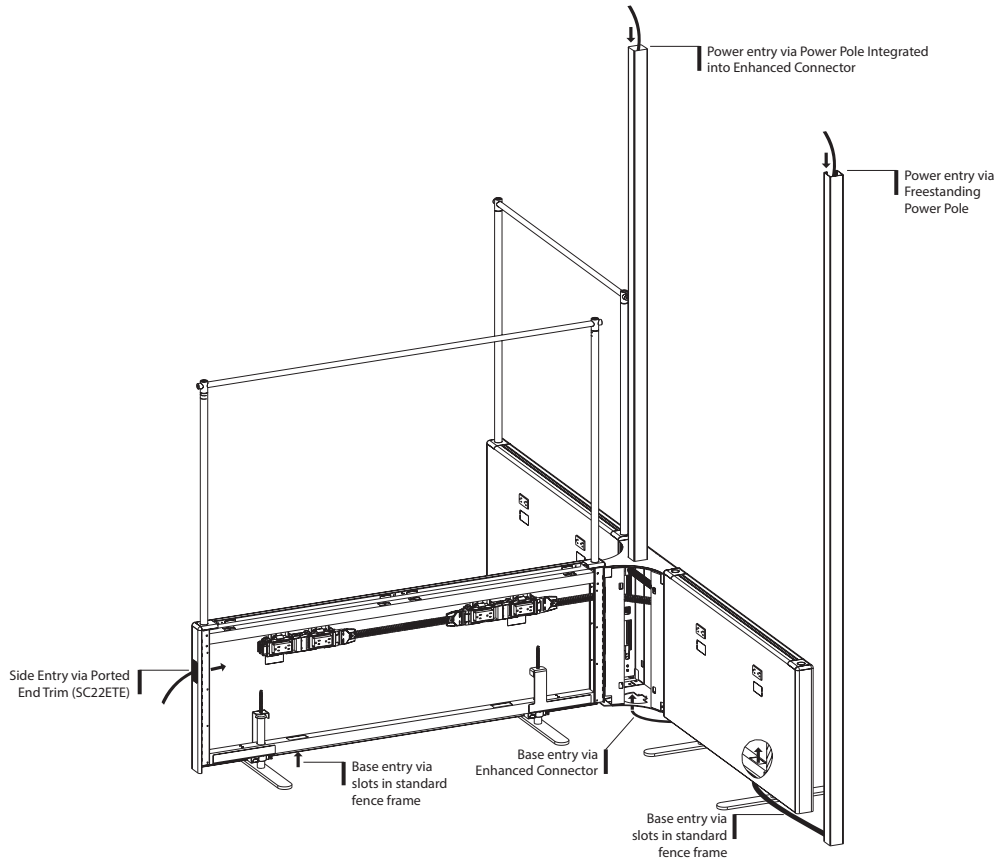


#### Wall Infeed:

- Requires use of the side infeed trim.
- Infeed enters through side of fence.
- Recommend this configuration when fence is located up against a wall to prevent user visibility of side infeed access.

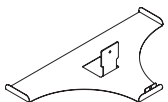


Mural features capabilities for cable management, including electrical, voice, and data. The 8-wire electrical system is integrated at the beltline. The open structure of the frame allows voice and data cables to be routed both vertically and horizontally.

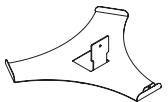


### Square Power Pole for Fixed Supports (page 102)

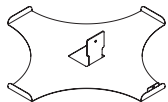
- **SE08PP1** Power Pole is 8' tall.
- Power Pole may be used over one of enhanced connectors.
- To extend the power pole for a taller ceiling, order quantity-2 with a splicer kit **SE08PP2**.



SE08TPP2



SE08YPP2



SE08XPP2

### Mural Electrical Systems

The electrical system for Mural offers two options: 3+1 or 2+2. Both systems utilize an 8-wire, four-circuit electrical system, rated at 20 amps (15 amps Canadian). Connect a maximum of 13 receptacles (12 in Canada, and fewer in certain U.S. locales) to one circuit. Consult your electrician to ensure the planned electrical load is within permissible limits. Follow the steps below to help specify your Mural electrical.

1. **Infeeds** — Determine the location, quantity, and type of power infeeds needed.
2. **Fence Power Kits** — Specify a Fence Power Kit for each ported fence. Power kits are determined by the size of fence ordered and are connected to one another with beam-to-beam jumpers - order separately.
3. **Connector Jumper Kits** — Ordered separately from fence power kits. Available in specific lengths for simple connectors, enhanced connectors, flex connector, and panel pass-through configurations.
4. **Duplex Receptacles** — Determine which electrical system will be used after consulting an electrician: 2+2 or 3+1. System is determined by which circuits are used. Specify circuit specific receptacles to fill all port locations where electrical is needed. Number of ports is determined by the fences and fence power kits specified. Port covers must be placed in port locations where duplex receptacles are not specified.

### Electrical Systems

Mural offers a choice of four electrical systems:

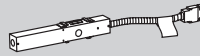
- Four-circuit, 3 + 1
- Four-circuit, 2 + 2
- Three-circuit, separate neutrals
- Eight circuits; two four-circuit systems provided back-to-back.
- See page 30 for a detailed explanation of each electrical system.
- All four systems utilize an 8-wire electrical system, rated at 20 amps per circuit (15 amps Canadian) - 16 amps plannable in U.S.
- Mural fence and electrical components are UL Listed. Electrical components are also CSA certified.
- Installation and use of the electrical system, the number of receptacles used on a given circuit and connections to the building power supply should be in compliance with all local and national electrical codes.

**Caution: Electrical equipment cords or extension cords MUST NOT BE ROUTED through cable openings in fence sides.**

**Note: No more than one conduit that is connected to a power kit mounted to horizontal can be routed through the same cut out in the same horizontal at beltline. Attempting to use more will cause binding of conduit and may affect reveals on receptacles.**

### Hardwire New York Code (page 51)

- Hardwire (New York Code) junction box (model A871400) is used when local electrical codes require hardwire entry.
- For use in panels 30" W to 84" W.
- New York box can connect to a pass-through kit or directly to a power block.
- New York box takes the place of a receptacle. If using a ported tile, purchase port covers for this location.
- Customer to furnish all cabling and wiring from power entry to power source.
- Junction box can be positioned at any duplex receptacle location.



### Hardwire Chicago Code (page 51)

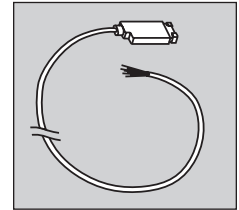
- Wiring power kits and snap connectors are not allowed in Chicago — base pathways must be comprised of all-metallic components.
- Customer must furnish conduit, wiring, and designer-type receptacles for the base pathway and conduit, wiring, designer-type receptacles, and receptacle covers for the beltline.
- Power entry can be routed from the ceiling, via a power pole, or from the floor into a junction box.

### Electrical Infeeds

- Power infeed cables deliver power from building to fence's electrical system.
- Infeed cables are housed in conduit to separate electrical system from communications and data lines.
- Select quantity of base or ceiling infeed cables depending on individual power requirements.

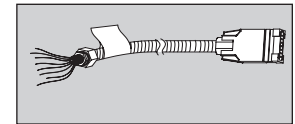
#### Sealtight Electrical Infeed (page 50)

- Sealtight electrical infeed cable is used when routing power from floor with footed panels.
- If pre-wired as infeed, sealtight must be routed from inside of fence. Should not be ordered prior to installation.



#### Ceiling Power Infeed (page 50)

- Ceiling power infeed connects to a prewired electrical power kit in the beltline and terminates in the junction box at the top of the integrated power pole.
- Can also be used as infeed.
- Most codes allow flex conduit to be exposed after installation. Verify code requirements before ordering for exposed application.



### To Order:

- Determine which electrical system you will use after consulting your electrician and computer support personnel:
  - The Four-circuit system (4-Hot/2-Neutral/2-Ground)
    - 3 + 1 option
    - 2 + 2 option
  - The three-circuit system (3-Hot/3-Neutral/2-Ground)
  - The eight-circuit system (back-to-back four-circuit systems)
- Determine location, quantity, and circuit of duplexes.
- Determine the appropriate choice and use of isolated, isolated/dedicated, and separate neutrals circuits.
- Specify appropriate power kits and pass-through kits.
- Determine the location, quantity, and type of power infeed needed.

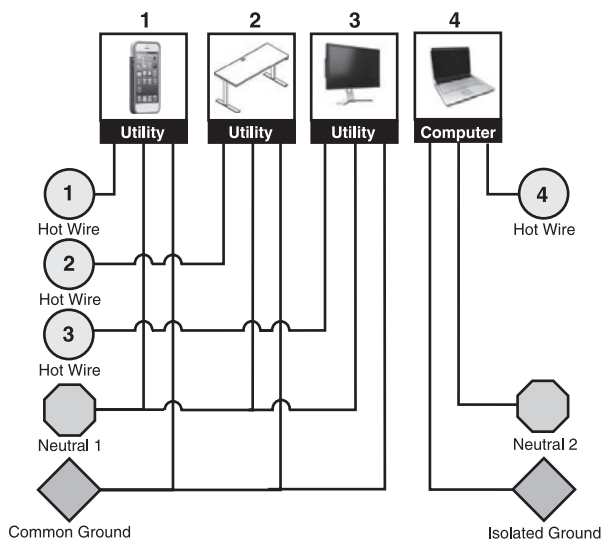
\* Select power kits (SE(30-84)EK(3C/4C)), panel-to-panel standard jumpers/enhanced jumpers (SES(S/F)EJ(3/4)C), and pass-through kits (SES(M/G)EJ(3/4)C) with the last two digits corresponding with the panel width into which the component is to be positioned. Pass-through kits only cover space within the panel. Designers should still specify panel-to-panel jumpers between a pass-through to a power kit. Jumper kits do not stretch.

### Flexconnect™ Electrical System Options

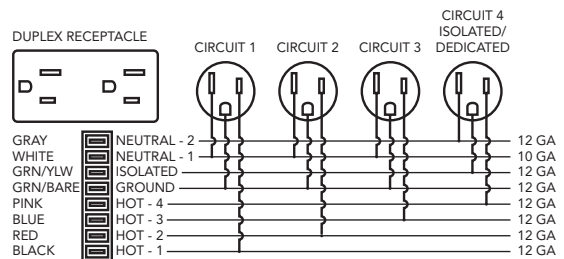
The four-circuit, eight-wire electrical system is widely specified and trusted by hundreds of thousands of end-users. This proven system delivers four circuits for every power infeed in either a 3 + 1 or 2 + 2 configuration. The isolated/dedicated circuits are ideal for sensitive computing equipment, while the common circuits are suitable for faxes, copiers, task lights and other peripherals. Both the 3 + 1 and 2 + 2 systems use the same pre-wired components, making it easy to adjust as electrical needs change.

Reference the Office Equipment Typical Load Values on page 31.

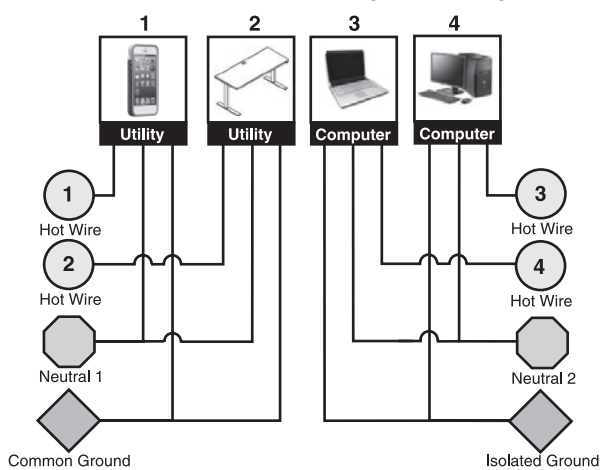
#### Four-circuit, 3 + 1 Receptacle Option



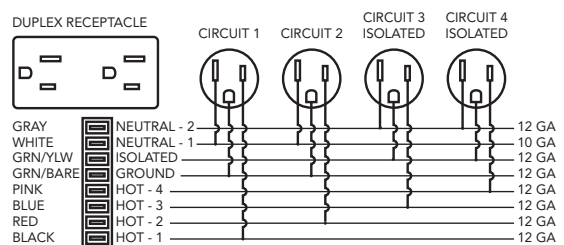
The 3 + 1 option is the electrical standard used on Allsteel systems for many years in most installations. This wiring option provides three utility circuits plus an isolated/dedicated circuit for more sensitive equipment. Circuit 2 (one of the 3 common circuits sharing a neutral wire) cannot be used with single-phase building electrical supply.



#### Four-circuit, 2 + 2 Receptacle Option



The 2 + 2 option is a wiring option that provides two utility circuits and two isolated circuits for more extensive computer usage applications.



### Office Equipment Typical Load Values

Item	*Amps
Desktop/2 Monitors	4
Laptop Computer	1
Laptop/2 Monitors/Docking Station	3
Paper Shredder	1.22
Radio	0.05
Scanner	3
Space Heater (1500 watts)	12
Task Light (equiv. 60-watt bulb)	
Fluorescent	0.12
LED	0.08
USB Charger	0.17
LCD Television (42")	1
LCD Monitor (21")	0.5
Bluetooth Speaker	0.1
Desktop Printer	
Inkjet	0.15
Laser	4 to 10
Multimedia Projector	1.7
Sit-to-Stand Height-Adjustable Desk	Idle 0.01 / Max 4
<b>Office Kitchen</b>	
Coffee Maker	10
Microwave	10
Toaster	12.5
Compact Refrigerator	1.5

\*Chart is recommended for planning purposes. Check device specifications for exact amperage. Consult with your electrician regarding the applicable configurations.

### Examples of Component Usage based on the Office Equipment Typical Load Values Chart

#### Power Option 3+1

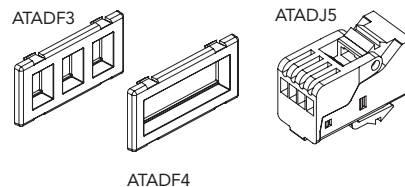
Dedicated Circuit 4: 4 desktop computers with 2 monitors each; or 10 laptop computers  
Utility Circuits 1, 2, 3: Height-adjustable tables and ancillary items

#### Power Option 2+2

Dedicated Circuit 3: 4 desktop computers with 2 monitors each; or 10 laptop computers  
Dedicated Circuit 4: 4 desktop computers with 2 monitors each; or 10 laptop computers  
Utility Circuits 1, 2: Height-adjustable tables and ancillary items

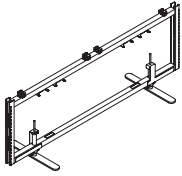
### Data Faceplates & Jacks (page 51)

- Faceplates fit into knockout ports on ported steel tiles.
- Faceplates do not work in fence electrical ports.
- Faceplate options available to install either 3 or 4 data jacks.
- Faceplates available in one color – black.
- Faceplates and Jacks sold separately.
- CAT 5E and CAT 6 data jacks available.



For specification information see pages 23-26.

GSA SIN 33721



Description	Model	List Price
<b>Mural Frame</b>		
Mural Frame with Feet, 30" W	SF30F	\$ 460
Mural Frame with Feet, 36" W	SF36F	\$ 510
Mural Frame with Feet, 42" W	SF42F	\$ 548
Mural Frame with Feet, 48" W	SF48F	\$ 575
Mural Frame with Feet, 54" W	SF54F	\$ 596
Mural Frame with Feet, 60" W	SF60F (shown)	\$ 605
Mural Frame with Feet, 66" W	SF66F	\$ 810
Mural Frame with Feet, 72" W	SF72F	\$ 860
Mural Frame with Feet, 84" W	SF84F	\$ 936

MURAL

**How to specify —**  
Select the Model Number from above.

*1st Option:*

**Foot:**  
STD Standard

*2nd Option:*

**Paint:**  
P1 P2 P3  
See page 18 for finishes.

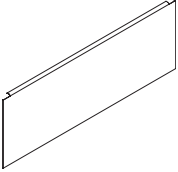
S | F | | | F | .

S | T | D | .

| | |

*Example: SF30F.STD.P02*





Description	Model	List Price
<b>Mural Tiles</b>		
Mural Tile 30"W, Painted	ST30MT	\$ 175
Mural Tile 36"W, Painted	ST36MT	\$ 186
Mural Tile 42"W, Painted	ST42MT	\$ 195
Mural Tile 48"W, Painted	ST48MT	\$ 205
Mural Tile 54"W, Painted	ST54MT	\$ 230
Mural Tile 60"W, Painted	ST60MT (shown)	\$ 241
Mural Tile 66"W, Painted	ST66MT	\$ 260
Mural Tile 72"W, Painted	ST72MT	\$ 289
Mural Tile 84"W, Painted	ST84MT	\$ 310

**NOTE:** 30"W-48"W, 84"W limited to non-ported, ported, and specialty ported tile styles.

**How to specify —**  
Select the Model Number from above.

S | T | | | M | T | .

**1st Option:**  
**Tile Style:**  
**NP** Non-Ported Tile  
**YP** Ported Tile\*  
**HP** Integrated Desk Tile\*  
**SYP** Specialty Ported Tile\*  
**SHP** Specialty Integrated Desk Tile\*  
 \*\$75/tile upcharge


| | | .

**2nd Option:**  
**Paint:**  
 P1 P2 P3  
 See page 18 for finishes.

| | |

Example: ST30MT.NP.P02

MURAL




Description	Model	List Price
<b>Mural End Trim</b>		
Mural End Trim	SC22ETS	\$ 78
Mural End Trim with Infeed Access	SC22ETE	\$ 105

SC22ETS

SC22ETE

**How to specify —**  
Select the Model Number from above.

S | C | 2 | 2 | E | T | .





**1st Option:**  
**Paint:**  
 P1 P2 P3  
 See page 18 for finishes.

| | |

Example: SC22ETS.P02

For specification information see pages 23-26.

GSA SIN 33721

		Description	Model	List Price
<b>Mural Enhanced Connectors</b>				
		Mural Flex Connector 12" W, Knit Mesh	SC12SFF	\$ 1250
SC12SFF	SC12TF	Mural T-Connector 12" W, Knit Mesh	SC12TF	\$ 1218
		Mural Y-Connector 12" W, Knit Mesh, 3-Way	SC12YF	\$ 2612
		Mural X-Connector 12" W, Knit Mesh	SC12XF	\$ 1311
				
SC12YF	SC12XF			







**How to specify —**  
Select the Model Number from above.

**1st Option:**  
**Knit Mesh:**

**2nd Option:**  
**Paint**  
(if applicable):  
P1 P2 P3  
See page 18 for finishes.

SC12 | | | | . | | | | .

*Example:*

		Description	Model	List Price
<b>Mural Simple Connectors</b>				
		Mural Straight Connector, Painted	SC12SS	\$ 200
SC12SS	SC12TS	Mural T-Connector, Painted	SC12TS	\$ 176
		Mural L-Connector, Painted	SC12LS	\$ 176
		Mural Y-Connector, Painted, 2-Way	SC12YS2	\$ 401
		Mural Y-Connector, Painted, 3-Way	SC12YS3	\$ 360
		Mural X-Connector, Painted	SC12XS	\$ 138
				
SC12LS	SC12YS2			
				
SC12YS3	SC12XS			

**How to specify —**  
Select the Model Number from above.

**1st Option:**  
**Paint:**  
P1 P2 P3  
See page 18 for finishes.

SC12 | | | | . | | | | .

*Example: SC12SS.P02*

MURAL

Description	Model	List Price
<b>Mural Rectangular Worksurfaces</b>		
Mural Integ. Desk Top, 22"D x 46"W, Rectangular	SW2246NFS	\$ 556
Mural Integ. Desk Top, 22"D x 52"W, Rectangular	SW2252NFS	\$ 604
Mural Integ. Desk Top, 22"D x 58"W, Rectangular	SW2258DFS	\$ 752
Mural Integ. Desk Top, 22"D x 64"W, Rectangular	SW2264DFS	\$ 779
Mural Integ. Desk Top, 22"D x 70"W, Rectangular	SW2270DFS	\$ 801
<hr/>		
Mural Integ. Desk Top, 23"D x 46"W, Rectangular	SW2346NFS	\$ 556
Mural Integ. Desk Top, 23"D x 52"W, Rectangular	SW2352NFS	\$ 604
Mural Integ. Desk Top, 23"D x 58"W, Rectangular	SW2358DFS	\$ 752
Mural Integ. Desk Top, 23"D x 64"W, Rectangular	SW2364DFS	\$ 779
Mural Integ. Desk Top, 23"D x 70"W, Rectangular	SW2370DFS	\$ 801
<hr/>		
Mural Integ. Desk Top, 28"D x 46"W, Rectangular	SW2846NFS	\$ 626
Mural Integ. Desk Top, 28"D x 52"W, Rectangular	SW2852NFS	\$ 710
Mural Integ. Desk Top, 28"D x 58"W, Rectangular	SW2858DFS	\$ 841
Mural Integ. Desk Top, 28"D x 64"W, Rectangular	SW2864DFS	\$ 891
Mural Integ. Desk Top, 28"D x 70"W, Rectangular	SW2870DFS	\$ 914
<hr/>		
Mural Integ. Desk Top, 29"D x 46"W, Rectangular	SW2946NFS	\$ 626
Mural Integ. Desk Top, 29"D x 52"W, Rectangular	SW2952NFS	\$ 710
Mural Integ. Desk Top, 29"D x 58"W, Rectangular	SW2958DFS	\$ 841
Mural Integ. Desk Top, 29"D x 64"W, Rectangular	SW2964DFS	\$ 891
Mural Integ. Desk Top, 29"D x 70"W, Rectangular	SW2970DFS	\$ 914
<hr/>		
<b>Mural Rounded Corner Worksurfaces</b>		
Mural Integ. Desk Top, 22"D x 46"W, Rounded Corner	SW2246NFR	\$ 641
Mural Integ. Desk Top, 22"D x 52"W, Rounded Corner	SW2252NFR	\$ 695
Mural Integ. Desk Top, 22"D x 58"W, Rounded Corner	SW2258DFR	\$ 847
Mural Integ. Desk Top, 22"D x 64"W, Rounded Corner	SW2264DFR	\$ 892
Mural Integ. Desk Top, 22"D x 70"W, Rounded Corner	SW2270DFR	\$ 921
<hr/>		
Mural Integ. Desk Top, 23"D x 46"W, Rounded Corner	SW2346NFR	\$ 641
Mural Integ. Desk Top, 23"D x 52"W, Rounded Corner	SW2352NFR	\$ 695
Mural Integ. Desk Top, 23"D x 58"W, Rounded Corner	SW2358DFR	\$ 847
Mural Integ. Desk Top, 23"D x 64"W, Rounded Corner	SW2364DFR	\$ 892
Mural Integ. Desk Top, 23"D x 70"W, Rounded Corner	SW2370DFR	\$ 921
<hr/>		
Mural Integ. Desk Top, 28"D x 46"W, Rounded Corner	SW2846NFR	\$ 719
Mural Integ. Desk Top, 28"D x 52"W, Rounded Corner	SW2852NFR	\$ 815
Mural Integ. Desk Top, 28"D x 58"W, Rounded Corner	SW2858DFR	\$ 953
Mural Integ. Desk Top, 28"D x 64"W, Rounded Corner	SW2864DFR	\$ 1024
Mural Integ. Desk Top, 28"D x 70"W, Rounded Corner	SW2870DFR	\$ 1051
<hr/>		
Mural Integ. Desk Top, 29"D x 46"W, Rounded Corner	SW2946NFR	\$ 719
Mural Integ. Desk Top, 29"D x 52"W, Rounded Corner	SW2952NFR	\$ 815
Mural Integ. Desk Top, 29"D x 58"W, Rounded Corner	SW2958DFR	\$ 953
Mural Integ. Desk Top, 29"D x 64"W, Rounded Corner	SW2964DFR	\$ 1024
Mural Integ. Desk Top, 29"D x 70"W, Rounded Corner	SW2970DFR	\$ 1051

How to specify — Select the Model Number from above.	1st Option: <b>FSC:</b> X No FSC F FSC Certified Wood	2nd Option: <b>Laminate:</b> See page 19 for finishes.	3rd Option: <b>Edge:</b> See page 19 for finishes.	4th Option: <b>Grommet Location:</b> G0 No Grommet GL Grommet Left GR Grommet Right GB Grommet Both GP1 Mural Power Bay (\$75) <i>Mural Power Bay only available as center mount in plastic. Plastic grommet finish determined by edge band.</i>	5th Option: <b>Grommet Type (if applicable):</b> P Oval Plastic M Oval Metal S Square Metal (\$11/grommet)	6th Option: <b>Grommet Color (Metal only):</b> EL Matte Silver  Plastic grommet color determined by worksurface finish.
SW2                       .     .	.	.	.	.	.	.

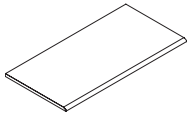
Example:

# Integrated Height-Adjustable Tables

Mural — Worksurface

For specification information see pages 23-26.

GSA SIN 33721



Description	Model	List Price
<b>Mural Worksurfaces</b>		
Mural Integ. Desk Top, 22"D x 46"W, Eased Edge	SW2246NE	\$ 737
Mural Integ. Desk Top, 22"D x 52"W, Eased Edge	SW2252NE	\$ 799
Mural Integ. Desk Top, 22"D x 58"W, Eased Edge	SW2258DE	\$ 957
Mural Integ. Desk Top, 22"D x 64"W, Eased Edge	SW2264DE	\$ 1006
Mural Integ. Desk Top, 22"D x 70"W, Eased Edge	SW2270DE	\$ 1038
<hr/>		
Mural Integ. Desk Top, 23"D x 46"W, Eased Edge	SW2346NE	\$ 737
Mural Integ. Desk Top, 23"D x 52"W, Eased Edge	SW2352NE	\$ 799
Mural Integ. Desk Top, 23"D x 58"W, Eased Edge	SW2358DE	\$ 957
Mural Integ. Desk Top, 23"D x 64"W, Eased Edge	SW2364DE	\$ 1006
Mural Integ. Desk Top, 23"D x 70"W, Eased Edge	SW2370DE	\$ 1038
<hr/>		
Mural Integ. Desk Top, 28"D x 46"W, Eased Edge	SW2846NE	\$ 827
Mural Integ. Desk Top, 28"D x 52"W, Eased Edge	SW2852NE	\$ 937
Mural Integ. Desk Top, 28"D x 58"W, Eased Edge	SW2858DE	\$ 1079
Mural Integ. Desk Top, 28"D x 64"W, Eased Edge	SW2864DE	\$ 1158
Mural Integ. Desk Top, 28"D x 70"W, Eased Edge	SW2870DE	\$ 1187
<hr/>		
Mural Integ. Desk Top, 29"D x 46"W, Eased Edge	SW2946NE	\$ 827
Mural Integ. Desk Top, 29"D x 52"W, Eased Edge	SW2952NE	\$ 937
Mural Integ. Desk Top, 29"D x 58"W, Eased Edge	SW2958DE (shown)	\$ 1079
Mural Integ. Desk Top, 29"D x 64"W, Eased Edge	SW2964DE	\$ 1158
Mural Integ. Desk Top, 29"D x 70"W, Eased Edge	SW2970DE	\$ 1187

MURAL

How to specify — Select the Model Number from above.	1st Option: FSC:	2nd Option: Laminate:	3rd Option: Edge:	4th Option: Grommet Location:	5th Option: Grommet Type (if applicable):	6th Option: Grommet Color (Metal only):
	X No FSC F FSC Certified Wood	See page 19 for finishes.	See page 19 for finishes.	GO No Grommet GL Grommet Left GR Grommet Right GB Grommet Both GP1 Mural Power Bay (\$75) <i>Mural Power Bay only available as center mount in plastic. Plastic grommet finish determined by edge band.</i>	P Oval Plastic M Oval Metal S Square Metal (\$11/grommet)	EL Matte Silver  Plastic grommet color determined by worksurface finish.
SW2                             .     .						

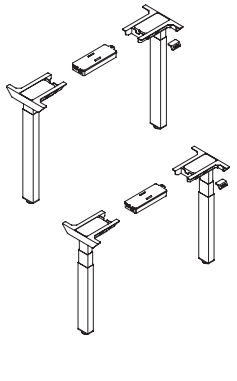
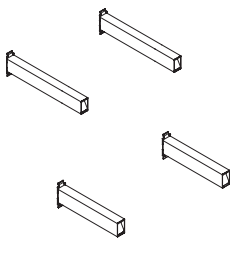
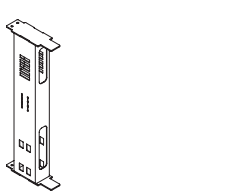
Example:

# Integrated Height-Adjustable Tables

Mural — HAT Base

For specification information see pages 23-26.

GSA SIN 33721

	Description	Model	List Price
	<b>Mural Integrated Height-Adjustable Bases</b>		
	Mural Integ. Desk, Std. Range	S2SD	\$ 2050
	Mural Integ. Desk, Ext. Range	S3SD	\$ 2250
	Mural Cross Bar, 22"D/24"D Desk, Single Sided	SCB24SS (shown)	\$ 175
	Mural Cross Bar, 22"D/24"D Desk, Dual Sided	SCB24DS (shown)	\$ 175
	Mural Cross Bar, 28"D/29½"D Desk, Single Sided	SCB30SS	\$ 175
	Mural Cross Bar, 28"D/29½"D Desk, Dual Sided	SCB30DS	\$ 175
	Mural Integ. Desk Mounting Kit	SKITD (shown)	\$ 367

MURAL

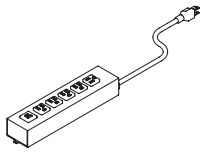
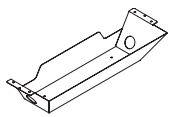
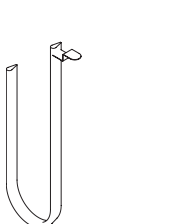

<p><b>How to specify —</b> Select the Model Number from above.</p> <p>S           .</p>	<p><b>1st Option:</b> Select the Base Paint Color (if applicable):</p> <p>P1 P2 P3</p> <p>See page 18 for paint finishes.</p> <p>      .</p>	<p><b>2nd Option:</b> Select the Keypad (if applicable):</p> <p>UD Basic Up/Down MEM Memory Preset PDL Paddle FPD Foot Control (\$240 extra)</p> <p>     </p>
---	--	---

Example: S2SD24.P8L.PDL

# Integrated Height-Adjustable Tables

For specification information see pages 23-31.

GSA SIN 33721

	Description	Model	List Price
	<b>Wire Management</b> Under the Desk Power * Available in black only.	SEDMUP	\$ 475
	20" W Wire Manager Trough	SEDMWM20	\$ 110
	30" W Wire Manager Trough * Available in black only.	SEDMWM30	\$ 170
	Fabric Wire Manager (Pack of 2) * Metal Hook attachments available in black only.	FBRZPWM	\$ 600

MURAL

<p><i>How to specify —</i> Select the Model Number from above.</p> <p><b>S   E   D   M          </b></p>	<p><i>1st Option:</i> <b>Paint Color:</b> P Black</p> <p><b>P  </b></p>
--	---

Example:

	Description	Model	List Price
	<b>Mural Screen Frames</b>		
	Mural Screen Frame 26"H x 30"W, Painted	SF2630P	\$ 441
	Mural Screen Frame 26"H x 36"W, Painted	SF2636P	\$ 449
	Mural Screen Frame 26"H x 42"W, Painted	SF2642P	\$ 456
	Mural Screen Frame 26"H x 48"W, Painted	SF2648P	\$ 464
	Mural Screen Frame 26"H x 54"W, Painted	SF2654P	\$ 472
	Mural Screen Frame 26"H x 60"W, Painted	SF2660P (shown)	\$ 480
	Mural Screen Frame 26"H x 66"W, Painted	SF2666P	\$ 490
	Mural Screen Frame 26"H x 72"W, Painted	SF2672P	\$ 499
	Mural Screen Frame 26"H x 84"W, Painted	SF2684P	\$ 507
	Mural Screen Frame 34"H x 30"W, Painted	SF3430P	\$ 464
	Mural Screen Frame 34"H x 36"W, Painted	SF3436P	\$ 472
	Mural Screen Frame 34"H x 42"W, Painted	SF3442P	\$ 480
	Mural Screen Frame 34"H x 48"W, Painted	SF3448P	\$ 488
	Mural Screen Frame 34"H x 54"W, Painted	SF3454P	\$ 496
	Mural Screen Frame 34"H x 60"W, Painted	SF3460P (shown)	\$ 506
	Mural Screen Frame 34"H x 66"W, Painted	SF3466P	\$ 515
	Mural Screen Frame 34"H x 72"W, Painted	SF3472P	\$ 525
	Mural Screen Frame 34"H x 84"W, Painted	SF3484P	\$ 534
		Mural Screen Frame 41"H x 30"W, Painted	SF4130P
Mural Screen Frame 41"H x 36"W, Painted		SF4136P	\$ 496
Mural Screen Frame 41"H x 42"W, Painted		SF4142P	\$ 504
Mural Screen Frame 41"H x 48"W, Painted		SF4148P	\$ 513
Mural Screen Frame 41"H x 54"W, Painted		SF4154P	\$ 521
Mural Screen Frame 41"H x 60"W, Painted		SF4160P (shown)	\$ 531
Mural Screen Frame 41"H x 66"W, Painted		SF4166P	\$ 541
Mural Screen Frame 41"H x 72"W, Painted		SF4172P	\$ 550
Mural Screen Frame 41"H x 84"W, Painted		SF4184P	\$ 561

<p><b>How to specify —</b> Select the Model Number from above.</p> <p>S   F               .</p>	<p><b>1st Option:</b> <b>Frame Paint:</b> P1 P2 P3 See page 18 for finishes.</p> <p>      .</p>	<p><b>2nd Option:</b> <b>Connector Paint:</b> P1 P2 P3 See page 18 for finishes.</p> <p>      .</p>
---	---	---

Example:

Description	Model	List Price
<b>Mural Fabric Screens</b>		
Mural Screen 26"H x 25"W, Fabric	AFS2625USF (shown)	\$ 838
Mural Screen 26"H x 31"W, Fabric	AFS2631USF	\$ 896
Mural Screen 26"H x 37"W, Fabric	AFS2637USF	\$ 938
Mural Screen 26"H x 43"W, Fabric	AFS2643USF	\$ 1005
Mural Screen 26"H x 49"W, Fabric	AFS2649USF	\$ 1055
Mural Screen 26"H x 55"W, Fabric	AFS2655USF	\$ 1116
Mural Screen 26"H x 61"W, Fabric	AFS2661USF	\$ 1155
Mural Screen 26"H x 67"W, Fabric	AFS2667USF	\$ 1249



<b>Mural Fabric Half Screens</b>		
Mural Screen 26"H x 27"W, Fabric	AFS2627USF (shown)	\$ 863
Mural Screen 26"H x 30"W, Fabric	AFS2630USF	\$ 877
Mural Screen 26"H x 33"W, Fabric	AFS2633USF	\$ 928
Mural Screen 26"H x 39"W, Fabric	AFS2639USF	\$ 985



<b>Mural Fabric Screens</b>		
Mural Screen 34"H x 25"W, Fabric	AFS3425USF (shown)	\$ 908
Mural Screen 34"H x 31"W, Fabric	AFS3431USF	\$ 958
Mural Screen 34"H x 37"W, Fabric	AFS3437USF	\$ 983
Mural Screen 34"H x 43"W, Fabric	AFS3443USF	\$ 1077
Mural Screen 34"H x 49"W, Fabric	AFS3449USF	\$ 1108
Mural Screen 34"H x 55"W, Fabric	AFS3455USF	\$ 1219
Mural Screen 34"H x 61"W, Fabric	AFS3461USF	\$ 1295
Mural Screen 34"H x 67"W, Fabric	AFS3467USF	\$ 1352



<b>Mural Fabric Half Screens</b>		
Mural Screen 34"H x 27"W, Fabric	AFS3427USF (shown)	\$ 933
Mural Screen 34"H x 30"W, Fabric	AFS3430USF	\$ 951
Mural Screen 34"H x 33"W, Fabric	AFS3433USF	\$ 979
Mural Screen 34"H x 39"W, Fabric	AFS3439USF	\$ 1070

MURAL

<i>How to specify —</i>	<i>1st Option:</i>	<i>2nd Option:</i>
Select the Model Number from above.	Fabric (if applicable): See page 18 for fabrics.	Screen Clamp Paint: P1 P2 P3 See page 18 for finishes.
A F S                   .	.	.

Example:



	Description	Model	List Price
	<b>Mural PET Screens</b>		
	Mural Screen 26"H x 25"W, PET	APS2625USF	\$ 728
	Mural Screen 26"H x 31"W, PET	APS2631USF	\$ 812
	Mural Screen 26"H x 37"W, PET	APS2637USF	\$ 912
	Mural Screen 26"H x 43"W, PET	APS2643USF	\$ 1027
	Mural Screen 26"H x 49"W, PET	APS2649USF	\$ 1159
	Mural Screen 26"H x 55"W, PET	APS2655USF	\$ 1260
	Mural Screen 26"H x 61"W, PET	APS2661USF	\$ 1372
Mural Screen 26"H x 67"W, PET	APS2667USF	\$ 1495	
	<b>Mural PET Half Screens</b>		
	Mural Screen 26"H x 27"W, PET	APS2627USF (shown)	\$ 755
	Mural Screen 26"H x 30"W, PET	APS2630USF	\$ 816
	Mural Screen 26"H x 33"W, PET	APS2633USF	\$ 884
Mural Screen 26"H x 39"W, PET	APS2639USF	\$ 958	
	<b>Mural PET Screens</b>		
	Mural Screen 34"H x 25"W, PET	APS3425USF (shown)	\$ 838
	Mural Screen 34"H x 31"W, PET	APS3431USF	\$ 943
	Mural Screen 34"H x 37"W, PET	APS3437USF	\$ 1062
	Mural Screen 34"H x 43"W, PET	APS3443USF	\$ 1200
	Mural Screen 34"H x 49"W, PET	APS3449USF	\$ 1359
	Mural Screen 34"H x 55"W, PET	APS3455USF	\$ 1541
	Mural Screen 34"H x 61"W, PET	APS3461USF	\$ 1751
Mural Screen 34"H x 67"W, PET	APS3467USF	\$ 1992	
	<b>Mural PET Half Screens</b>		
	Mural Screen 34"H x 27"W, PET	APS3427USF (shown)	\$ 866
	Mural Screen 34"H x 30"W, PET	APS3430USF	\$ 938
	Mural Screen 34"H x 33"W, PET	APS3433USF	\$ 1018
Mural Screen 34"H x 39"W, PET	APS3439USF	\$ 1106	
	<b>Mural PET Screens</b>		
	Mural Screen 41"H x 25"W, PET	APS4125USF (shown)	\$ 977
	Mural Screen 41"H x 31"W, PET	APS4131USF	\$ 1102
	Mural Screen 41"H x 37"W, PET	APS4137USF	\$ 1246
	Mural Screen 41"H x 43"W, PET	APS4143USF	\$ 1411
	Mural Screen 41"H x 49"W, PET	APS4149USF	\$ 1601
	Mural Screen 41"H x 55"W, PET	APS4155USF	\$ 1819
	Mural Screen 41"H x 61"W, PET	APS4161USF	\$ 2070
Mural Screen 41"H x 67"W, PET	APS4167USF	\$ 2143	
	<b>Mural PET Half Screens</b>		
	Mural Screen 41"H x 27"W, PET	APS4127USF	\$ 1005
	Mural Screen 41"H x 30"W, PET	APS4130USF	\$ 1091
	Mural Screen 41"H x 33"W, PET	APS4133USF	\$ 1186
Mural Screen 41"H x 39"W, PET	APS4139USF	\$ 1290	

<p><b>How to specify —</b> Select the Model Number from above.</p>	<p><b>1st Option:</b> PET:            DGY4 Dark Grey            DGY3 Medium Grey            DBR1 Light Brown            DBL1 Light Blue            DGY2 Lightest Grey            DBK1 Black</p>	<p><b>2nd Option:</b> Screen Clamp Paint:              See page 18 for finishes.</p>
<p>AP S                                .</p> <p style="text-align: center;"><i>Example:</i></p>	<p>                      .</p>	<p>                      .</p>

MURAL

Description	Model	List Price
<b>Mural Acrylic Screens</b>		
Mural Screen 26"H x 25"W, Acrylic	AAS2625USF (shown)	\$ 807
Mural Screen 26"H x 31"W, Acrylic	AAS2631USF	\$ 866
Mural Screen 26"H x 37"W, Acrylic	AAS2637USF	\$ 935
Mural Screen 26"H x 43"W, Acrylic	AAS2643USF	\$ 998
Mural Screen 26"H x 49"W, Acrylic	AAS2649USF	\$ 1046
Mural Screen 26"H x 55"W, Acrylic	AAS2655USF	\$ 1094
Mural Screen 26"H x 61"W, Acrylic	AAS2661USF	\$ 1217
Mural Screen 26"H x 67"W, Acrylic	AAS2667USF	\$ 1269
<b>Mural Acrylic Half Screens</b>		
Mural Screen 26"H x 27"W, Acrylic	AAS2627USF (shown)	\$ 820
Mural Screen 26"H x 30"W, Acrylic	AAS2630USF	\$ 852
Mural Screen 26"H x 33"W, Acrylic	AAS2633USF	\$ 897
Mural Screen 26"H x 39"W, Acrylic	AAS2639USF	\$ 982
<b>Mural Acrylic Screens</b>		
Mural Screen 34"H x 25"W, Acrylic	AAS3425USF (shown)	\$ 873
Mural Screen 34"H x 31"W, Acrylic	AAS3431USF	\$ 977
Mural Screen 34"H x 37"W, Acrylic	AAS3437USF	\$ 1030
Mural Screen 34"H x 43"W, Acrylic	AAS3443USF	\$ 1083
Mural Screen 34"H x 49"W, Acrylic	AAS3449USF	\$ 1303
Mural Screen 34"H x 55"W, Acrylic	AAS3455USF	\$ 1365
Mural Screen 34"H x 61"W, Acrylic	AAS3461USF	\$ 1677
Mural Screen 34"H x 67"W, Acrylic	AAS3467USF	\$ 1744
<b>Mural Acrylic Half Screens</b>		
Mural Screen 34"H x 27"W, Acrylic	AAS3427USF (shown)	\$ 909
Mural Screen 34"H x 30"W, Acrylic	AAS3430USF	\$ 962
Mural Screen 34"H x 33"W, Acrylic	AAS3433USF	\$ 1013
Mural Screen 34"H x 39"W, Acrylic	AAS3439USF	\$ 1066
<b>Mural Acrylic Half Screens</b>		
Mural Screen 41"H x 27"W, Acrylic	AAS4127USF (shown)	\$ 982
Mural Screen 41"H x 30"W, Acrylic	AAS4130USF	\$ 1040
Mural Screen 41"H x 33"W, Acrylic	AAS4133USF	\$ 1096
Mural Screen 41"H x 39"W, Acrylic	AAS4139USF	\$ 1255

**How to specify —**  
Select the Model Number from above.

**1st Option:**  
Acrylic:  
ASC Clear  
ASF Frosted

**2nd Option:**  
Screen Clamp Paint:  
P1 P2 P3  
See page 18 for finishes.

AAS | | | | | | | | | | | | | | .

Example:

MURAL

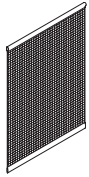
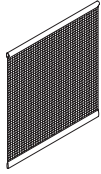
	Description	Model	List Price
	<b>Mural Glass Markerboard Screens</b>		
	Mural Screen 26"H x 25"W, Glass	AGS2625USF (shown)	\$ 2627
	Mural Screen 26"H x 31"W, Glass	AGS2631USF	\$ 2796
	Mural Screen 26"H x 37"W, Glass	AGS2637USF	\$ 2965
	Mural Screen 26"H x 43"W, Glass	AGS2643USF	\$ 3133
	Mural Screen 26"H x 49"W, Glass	AGS2649USF	\$ 3649
	Mural Screen 26"H x 55"W, Glass	AGS2655USF	\$ 3837
	<b>Mural Glass Markerboard Half Screens</b>		
	Mural Screen 26"H x 27"W, Glass	AGS2627USF (shown)	\$ 2627
	Mural Screen 26"H x 30"W, Glass	AGS2630USF	\$ 2796
	Mural Screen 26"H x 33"W, Glass	AGS2633USF	\$ 2965
	Mural Screen 26"H x 39"W, Glass	AGS2639USF	\$ 3133
	<b>Mural Glass Markerboard Screens</b>		
	Mural Screen 34"H x 25"W, Glass	AGS3425USF (shown)	\$ 2875
	Mural Screen 34"H x 31"W, Glass	AGS3431USF	\$ 3062
	Mural Screen 34"H x 37"W, Glass	AGS3437USF	\$ 3246
	Mural Screen 34"H x 43"W, Glass	AGS3443USF	\$ 3433
	Mural Screen 34"H x 49"W, Glass	AGS3449USF	\$ 3617
	Mural Screen 34"H x 55"W, Glass	AGS3455USF	\$ 3805
	<b>Mural Glass Markerboard Half Screens</b>		
	Mural Screen 34"H x 27"W, Glass	AGS3427USF (shown)	\$ 2875
	Mural Screen 34"H x 30"W, Glass	AGS3430USF	\$ 3062
	Mural Screen 34"H x 33"W, Glass	AGS3433USF	\$ 3246
	Mural Screen 34"H x 39"W, Glass	AGS3439USF	\$ 3433

MURAL

<p><i>How to specify —</i> Select the Model Number from above.</p> <p>AGS   .</p>	<p><i>1st Option:</i> <b>Glass:</b> GMB1 Markerboard</p> <p>          .</p>	<p><i>2nd Option:</i> <b>Screen Clamp Paint:</b> P1 P2 P3 See page 18 for finishes.</p> <p>      .</p>
---	---	--

*Example:*

Description	Model	List Price
<b>Mural Mesh Screens</b>		
Mural Screen 26"H x 25"W, Mesh	ASH2625USF (shown)	\$ 310
Mural Screen 26"H x 31"W, Mesh	ASH2631USF	\$ 382
Mural Screen 26"H x 37"W, Mesh	ASH2637USF	\$ 455
Mural Screen 26"H x 43"W, Mesh	ASH2643USF	\$ 510
Mural Screen 26"H x 49"W, Mesh	ASH2649USF	\$ 588
Mural Screen 26"H x 55"W, Mesh	ASH2655USF	\$ 660
Mural Screen 26"H x 61"W, Mesh	ASH2661USF	\$ 732
Mural Screen 26"H x 67"W, Mesh	ASH2667USF	\$ 799
Mural Screen 26"H x 79"W, Mesh	ASH2679USF	\$ 997
<hr/>		
Mural Screen 34"H x 25"W, Mesh	ASH3425USF (shown)	\$ 360
Mural Screen 34"H x 31"W, Mesh	ASH3431USF	\$ 449
Mural Screen 34"H x 37"W, Mesh	ASH3437USF	\$ 510
Mural Screen 34"H x 43"W, Mesh	ASH3443USF	\$ 582
Mural Screen 34"H x 49"W, Mesh	ASH3449USF	\$ 671
Mural Screen 34"H x 55"W, Mesh	ASH3455USF	\$ 754
Mural Screen 34"H x 61"W, Mesh	ASH3461USF	\$ 832
Mural Screen 34"H x 67"W, Mesh	ASH3467USF	\$ 899
Mural Screen 34"H x 79"W, Mesh	ASH3479USF	\$ 1121
<hr/>		
Mural Screen 41"H x 25"W, Mesh	ASH4125USF (shown)	\$ 388
Mural Screen 41"H x 31"W, Mesh	ASH4131USF	\$ 477
Mural Screen 41"H x 37"W, Mesh	ASH4137USF	\$ 566
Mural Screen 41"H x 43"W, Mesh	ASH4143USF	\$ 654
Mural Screen 41"H x 49"W, Mesh	ASH4149USF	\$ 743
Mural Screen 41"H x 55"W, Mesh	ASH4155USF	\$ 832
Mural Screen 41"H x 61"W, Mesh	ASH4161USF	\$ 921
Mural Screen 41"H x 67"W, Mesh	ASH4167USF	\$ 1021
Mural Screen 41"H x 79"W, Mesh	ASH4179USF	\$ 1221



MURAL

**How to specify —**

Select the Model Number from above.

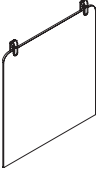
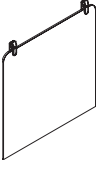
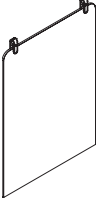
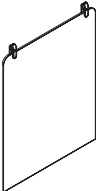
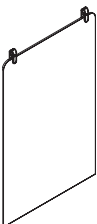
**1st Option:**

**Mesh:**

- CHK** Chalk
- GRS** Greystone
- PEW** Pewter

ASH | | | | | | | | | | | .

Example:

	Description	Model	List Price
	<b>Mural Laminate Screens</b>		
	Mural Screen 26"H x 25"W, Laminate	ALS2625USF (shown)	\$ 471
	Mural Screen 26"H x 31"W, Laminate	ALS2631USF	\$ 496
	Mural Screen 26"H x 37"W, Laminate	ALS2637USF	\$ 549
	Mural Screen 26"H x 43"W, Laminate	ALS2643USF	\$ 617
	Mural Screen 26"H x 49"W, Laminate	ALS2649USF	\$ 847
	Mural Screen 26"H x 55"W, Laminate	ALS2655USF	\$ 877
	Mural Screen 26"H x 61"W, Laminate	ALS2661USF	\$ 905
	Mural Screen 26"H x 67"W, Laminate	ALS2667USF	\$ 935
	<b>Mural Laminate Half Screens</b>		
	Mural Screen 26"H x 27"W, Laminate	ALS2627USF (shown)	\$ 474
	Mural Screen 26"H x 30"W, Laminate	ALS2630USF	\$ 493
	Mural Screen 26"H x 33"W, Laminate	ALS2633USF	\$ 516
	Mural Screen 26"H x 39"W, Laminate	ALS2639USF	\$ 566
	<b>Mural Laminate Screens</b>		
	Mural Screen 34"H x 25"W, Laminate	ALS3425USF (shown)	\$ 547
	Mural Screen 34"H x 31"W, Laminate	ALS3431USF	\$ 575
	Mural Screen 34"H x 37"W, Laminate	ALS3437USF	\$ 634
	Mural Screen 34"H x 43"W, Laminate	ALS3443USF	\$ 713
	Mural Screen 34"H x 49"W, Laminate	ALS3449USF	\$ 985
	Mural Screen 34"H x 55"W, Laminate	ALS3455USF	\$ 1015
	Mural Screen 34"H x 61"W, Laminate	ALS3461USF	\$ 1043
	Mural Screen 34"H x 67"W, Laminate	ALS3467USF	\$ 1071
	<b>Mural Laminate Half Screens</b>		
	Mural Screen 34"H x 27"W, Laminate	ALS3427USF (shown)	\$ 550
	Mural Screen 34"H x 30"W, Laminate	ALS3430USF	\$ 571
	Mural Screen 34"H x 33"W, Laminate	ALS3433USF	\$ 595
	Mural Screen 34"H x 39"W, Laminate	ALS3439USF	\$ 653
	<b>Mural Laminate Half Screens</b>		
	Mural Screen 41"H x 27"W, Laminate	ALS4127USF (shown)	\$ 642
	Mural Screen 41"H x 30"W, Laminate	ALS4130USF	\$ 662
	Mural Screen 41"H x 33"W, Laminate	ALS4133USF	\$ 684
	Mural Screen 41"H x 39"W, Laminate	ALS4139USF	\$ 705

MURAL


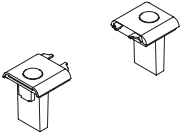

<p><b>How to specify —</b> Select the Model Number from above.</p> <p>ALS                    </p>	<p><b>1st Option:</b> FSC:</p> <p><b>X</b> No FSC <b>F</b> FSC Certified Wood</p> <p>    .</p>	<p><b>2nd Option:</b> Laminate:</p> <p>See page 18 for finishes.</p> <p>          .</p>	<p><b>3rd Option:</b> Grain:</p> <p><b>VLG</b> Horizontal grain or Solid only. <b>VST</b> Vertical Grain (up to 60"W only).</p> <p>        .</p>	<p><b>4th Option:</b> Paint:</p> <p><b>P1 P2 P3</b> See page 18 for finishes.</p> <p>         </p>
---	--	---	--	--

	Description	Model	List Price
	<b>Mural Veneer Screens</b>		
	Mural Screen 26"H x 25"W, Veneer	AWS2625USF (shown)	\$ 865
	Mural Screen 26"H x 31"W, Veneer	AWS2631USF	\$ 890
	Mural Screen 26"H x 37"W, Veneer	AWS2637USF	\$ 916
	Mural Screen 26"H x 43"W, Veneer	AWS2643USF	\$ 941
	Mural Screen 26"H x 49"W, Veneer	AWS2649USF	\$ 966
	Mural Screen 26"H x 55"W, Veneer	AWS2655USF	\$ 991
	Mural Screen 26"H x 61"W, Veneer	AWS2661USF	\$ 1017
	Mural Screen 26"H x 67"W, Veneer	AWS2667USF	\$ 1042
	<b>Mural Veneer Half Screens</b>		
	Mural Screen 26"H x 27"W, Veneer	AWS2627USF (shown)	\$ 865
	Mural Screen 26"H x 30"W, Veneer	AWS2630USF	\$ 890
	Mural Screen 26"H x 33"W, Veneer	AWS2633USF	\$ 916
	Mural Screen 26"H x 39"W, Veneer	AWS2639USF	\$ 941
	<b>Mural Veneer Screens</b>		
	Mural Screen 34"H x 25"W, Veneer	AWS3425USF (shown)	\$ 986
	Mural Screen 34"H x 31"W, Veneer	AWS3431USF	\$ 1011
	Mural Screen 34"H x 37"W, Veneer	AWS3437USF	\$ 1036
	Mural Screen 34"H x 43"W, Veneer	AWS3443USF	\$ 1061
	Mural Screen 34"H x 49"W, Veneer	AWS3449USF	\$ 1087
	Mural Screen 34"H x 55"W, Veneer	AWS3455USF	\$ 1112
	Mural Screen 34"H x 61"W, Veneer	AWS3461USF	\$ 1137
	Mural Screen 34"H x 67"W, Veneer	AWS3467USF	\$ 1162
	<b>Mural Veneer Half Screens</b>		
	Mural Screen 34"H x 27"W, Veneer	AWS3427USF (shown)	\$ 986
	Mural Screen 34"H x 30"W, Veneer	AWS3430USF	\$ 1011
	Mural Screen 34"H x 33"W, Veneer	AWS3433USF	\$ 1036
	Mural Screen 34"H x 39"W, Veneer	AWS3439USF	\$ 1061
	<b>Mural Veneer Half Screens</b>		
	Mural Screen 41"H x 27"W, Veneer	AWS4127USF (shown)	\$ 1136
	Mural Screen 41"H x 30"W, Veneer	AWS4130USF	\$ 1160
	Mural Screen 41"H x 33"W, Veneer	AWS4133USF	\$ 1186
	Mural Screen 41"H x 39"W, Veneer	AWS4139USF	\$ 1211

MURAL

<p><b>How to specify —</b> Select the Model Number from above.</p>	<p><b>1st Option:</b> <b>FSC:</b> X No FSC F FSC Certified Wood</p>	<p><b>2nd Option:</b> <b>Veneer:</b> See page 18 for finishes.</p>	<p><b>3rd Option:</b> <b>Grain:</b> VLG Horizontal grain VST Vertical Grain (up to 60"W only).</p>	<p><b>4th Option:</b> <b>Paint:</b> P1 P2 P3 See page 18 for finishes.</p>
	<p>AWS                     .</p>	<p>    .</p>	<p>        .</p>	<p>        .</p>

Example:



Description	Model	List Price
<b>Mural Fence Filler Kits</b>		
Mural No-Screen Filler Kit, Full Panel, 25"W	SAFILLERKIT25	\$ 100
Mural No-Screen Filler Kit, Full Panel, 31"W	SAFILLERKIT31	\$ 100
Mural No-Screen Filler Kit, Full Panel, 37"W	SAFILLERKIT37	\$ 100
Mural No-Screen Filler Kit, Full Panel, 43"W	SAFILLERKIT43	\$ 125
Mural No-Screen Filler Kit, Full Panel, 49"W	SAFILLERKIT49	\$ 125
Mural No-Screen Filler Kit, Full Panel, 55"W	SAFILLERKIT55 (shown)	\$ 125
Mural No-Screen Filler Kit, Full Panel, 61"W	SAFILLERKIT61	\$ 150
Mural No-Screen Filler Kit, Full Panel, 67"W	SAFILLERKIT67	\$ 150
Mural No-Screen Filler Kit, Full Panel, 79"W	SAFILLERKIT79	\$ 150
<hr/>		
Mural No-Screen Filler Kit, 2 Partial Panels	SAFILLERKIT1	\$ 50
<hr/>		
Mural No-Screen Filler Kit, Partial Panel, 28" W	SAFILLERKIT27	\$ 100
Mural No-Screen Filler Kit, Partial Panel, 31" W	SAFILLERKIT30	\$ 100
Mural No-Screen Filler Kit, Partial Panel, 34" W	SAFILLERKIT33	\$ 100
Mural No-Screen Filler Kit, Partial Panel, 40" W	SAFILLERKIT39	\$ 125
<hr/>		
Mural No-Screen Frame Filler Kit	SAFILLERKITNF (shown)	\$ 138
<hr/>		
<b>Mural Screen Frame End Cap</b>		
Mural Accessory End Cap, Hanger	SAHANGER	\$ 55

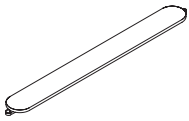
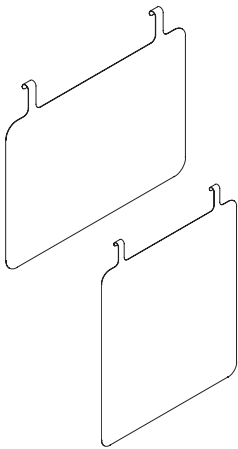
\*Recommended to be specified with screen frame.

<p><i>How to specify —</i> Select the Model Number from above.</p> <p>S   A                                 .</p>	<p><i>1st Option:</i> <b>Paint:</b> P1 P2 P3 See page 18 for finishes.</p>
---	--

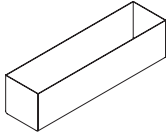
Example:

Description	Model	List Price
<b>Mural Collaborative Board</b>		
17"H x 24"W	SS1724M	\$ 414
27"H x 24"W	SS2724M	\$ 497

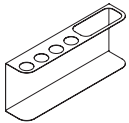
**NOTE:** Magnetic collaborative board. Specify markerboard paint to make it a writable surface.



Description	Model	List Price
<b>Mural Shelf</b>		
6"W x 30"W	SAS0630W	\$ 564
6"W x 36"W	SAS0636W	\$ 592
6"W x 42"W	SAS0642W	\$ 630
6"W x 48"W	SAS0648W	\$ 666
6"W x 54"W	SAS0654W	\$ 712
6"W x 60"W	SAS0660W	\$ 754
6"W x 66"W	SAS0666W	\$ 800
6"W x 72"W	SAS0672W	\$ 853
6"W x 84"W	SAS0684W	\$ 902



Description	Model	List Price
<b>Mural Planter</b>		
6½"D x 24"W	SAPLANTER24	\$ 499



Description	Model	List Price
<b>Mural Marker Holder</b>		
¾"H x 8"W	SATRAY	\$ 122

Installation Instructions	SINSTALL	\$ 50
---------------------------	----------	-------

\*Instructions available online at [HNIPRODUCTINSTALL.COM](http://HNIPRODUCTINSTALL.COM)

MURAL

*How to specify —*  
Select the Model Number from above.

*1st Option:*

Paint:

**P1** **P2** **P3**

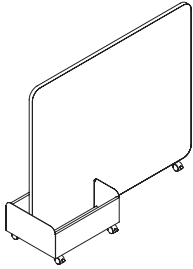
See page 18 for finishes.

S | | | | | | | | | | | | | | | | | | .

Example:

| | | | |



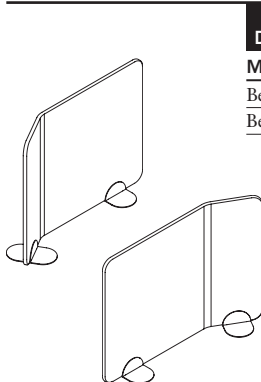


Description	Model	List Price
<b>Mural Privacy Panel</b>		
Privacy Panel w/ Bin, 50"H x 60"W	SS5060MS	\$ 1519

\*Specify markerboard laminate to make it a writable surface.

How to specify — Select the Model Number from above.	1st Option: FSC: X No FSC F FSC Certified Wood	2nd Option: Privacy Panel Laminate:	3rd Option: Bin Laminate:	4th Option: Edge:	5th Option: Grain: VLG Horizontal grain or solid VST Vertical grain	6th Option: Paint: P1 P2 P3 See pages 18-19 for finishes.
SS5060MS . . . . .	. . . . .	. . . . .	. . . . .	. . . . .	. . . . .	. . . . .

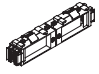
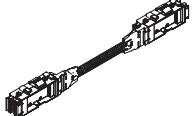
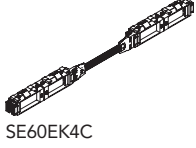
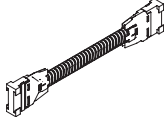
Example:

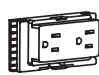
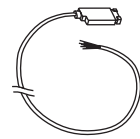


Description	Model	List Price
<b>Mural Bent Screen</b>		
Bent Privacy Panel, 52"H x 68" W, LH	SS5268BLH	\$ 3675
Bent Privacy Panel, 52"H x 68" W, RH	SS5268BRH	\$ 3675

How to specify — Select the Model Number from above.	1st Option: Paint: P1 P2 P3 See page 18 for finishes.	2nd Option: Fabric (if applicable): See page 10 for fabrics.
SS5268B . . . . .	. . . . .	. . . . .

Example:

	Description	Model	List Price
 <p>SE30EK4C</p>  <p>SE36EK4C</p>  <p>SE60EK4C</p>  <p>SESSEJ4C</p>	<b>Electrical Kits</b>		
	Mural Electrical Kit for 30" W Frame, 4-cir	SE30EK4C (shown)	\$ 293
	Mural Electrical Kit for 36" W Frame, 4-cir	SE36EK4C (shown)	\$ 293
	Mural Electrical Kit for 42" W Frame, 4-cir	SE42EK4C	\$ 312
	Mural Electrical Kit for 48" W Frame, 4-cir	SE48EK4C	\$ 312
	Mural Electrical Kit for 54" W Frame, 4-cir	SE54EK4C	\$ 312
	Mural Electrical Kit for 60" W Frame, 4-cir	SE60EK4C (shown)	\$ 312
	Mural Electrical Kit for 66" W Frame, 4-cir	SE66EK4C	\$ 375
	Mural Electrical Kit for 72" W Frame, 4-cir	SE72EK4C	\$ 437
	Mural Electrical Kit for 84" W Frame, 4-cir	SE84EK4C	\$ 437
	Mural Electrical Kit for 30" W Frame, 3-cir	SE30EK3C	\$ 293
	Mural Electrical Kit for 36" W Frame, 3-cir	SE36EK3C	\$ 293
	Mural Electrical Kit for 42" W Frame, 3-cir	SE42EK3C	\$ 312
	Mural Electrical Kit for 48" W Frame, 3-cir	SE48EK3C	\$ 312
	Mural Electrical Kit for 54" W Frame, 3-cir	SE54EK3C	\$ 312
	Mural Electrical Kit for 60" W Frame, 3-cir	SE60EK3C	\$ 312
	Mural Electrical Kit for 66" W Frame, 3-cir	SE66EK3C	\$ 375
	Mural Electrical Kit for 72" W Frame, 3-cir	SE72EK3C	\$ 437
	Mural Electrical Kit for 84" W Frame, 3-cir	SE84EK3C	\$ 437
<b>Jumpers</b>			
Mural Panel to Panel Jumper, 4-Cir for Std Connector	SESSEJ4C (shown)	\$ 164	
Mural Panel to Panel Jumper, 4-Cir for Enhanced/Flex Connector	SESEFEJ4C	\$ 164	
Mural Panel to Panel Jumper, 3-Cir for Std Connector	SESSEJ3C	\$ 164	
Mural Panel to Panel Jumper, 3-Cir for Enhanced/Flex Connector	SESEFEJ3C	\$ 164	
<b>Pass Throughs</b>			
Mural Jumper for 30"W-54"W Panels, 4-Cir	SESMEJ4C	\$ 250	
Mural Jumper for 60"W-84"W Panels, 4-Cir	SELGEJ4C	\$ 250	
Mural Jumper for 30"W-54"W Panels, 3-Cir	SESMEJ3C	\$ 250	
Mural Jumper for 60"W-84"W Panels, 3-Cir	SELGEJ3C	\$ 250	

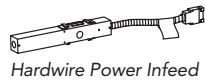
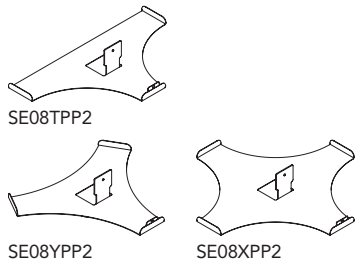
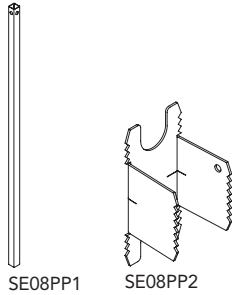
	Description	Four-circuit 3 + 1 2 + 2	List Price
   <p>A871912</p>	<b>Duplex Receptacles for Beltline or Base Pathway — Mural (specify color)</b>		
	Circuit 1	A873501 <input type="checkbox"/>	\$ 63
	Circuit 2	A873502 <input type="checkbox"/>	\$ 63
	Circuit 3 (3+1)	A873503 <input type="checkbox"/>	\$ 63
	Circuit 3 (2+2)	A873506 <input type="checkbox"/>	\$ 63
	Circuit 4 — iso/dedicated	A873504 <input type="checkbox"/>	\$ 63
	Circuit 1, 20 AMP	A871601 <input type="checkbox"/>	\$ 63
<b>Electrical Infeed Cables</b>			
6' Flex Cable	A871972 <input type="checkbox"/>	\$ 294	
12' Flex Cable	A871912 <input type="checkbox"/>	\$ 399	
18' Flex Cable	A871918 <input type="checkbox"/>	\$ 502	
12' Sealtight Cable Power Infeed	A877012 <input type="checkbox"/>	\$ 487	

<p><b>How to specify —</b> Select the Model Number from above.</p> <p><b>S</b> <b>E</b>                            </p>	<p><i>1st Option:</i> <b>Paint</b> (if applicable): <input type="radio"/> P1 <input type="radio"/> P2 <input type="radio"/> P3 See page 18 for finishes.</p>
---	--

Example: SE30EK4C.P71

Shippable by small-package carrier.

Description	Model	List Price
<b>Power Pole</b>		
Mural System 8' Power Pole	SE08PP1	\$ 856
Mural System Power Pole Splicer Kit	SE08PP2	\$ 94
Mural System T-Power Pole Mounting Kit	SE08TPP2	\$ 94
Mural System Y-Power Pole Mounting Kit	SE08YPP2	\$ 94
Mural System X-Power Pole Mounting Kit	SE08XPP2	\$ 94



Description	Four-circuit 3 + 1 2 + 2	Three-circuit Separate Neutrals	List Price
<b>Hardwire Power Infeed (New York Code)</b> For 30"–60"W panels	A871400	A871400A	\$ 383

**Note:** Four-circuit components and Three-circuit components (with an "A" suffix) cannot be connected together.

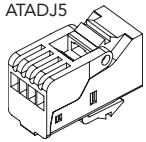
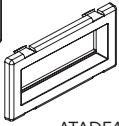
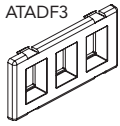


Description	Chicago Code Model	List Price
<b>Hardwire (Chicago Code) (Black only)</b> Terrace Base Pathway Junction Box (Pack of 6)	873600	\$ 1019

**How to specify —**  
Select the Model Number from above.

**1st Option:**  
**Paint** (if applicable):  
P1 P2 P3  
See page 18 for finishes.

Example:



Description	Model	List Price
-------------	-------	------------

**Data Faceplates (will not work in beams)**

Three-Port Flex-Mode Faceplate, Black (E4)	ATADF3 <span style="border: 1px solid black; padding: 0 2px;">S</span>	\$ 36
Four-Port Flex-Mode Faceplate, Black (E4)	ATADF4 <span style="border: 1px solid black; padding: 0 2px;">S</span>	\$ 36

**Notes:** ATADF3 can install up to 3 jacks (CAT 3, 5E or 6). ATADF4 can install 4 jacks (CAT 3, 5E or 6).

**Jacks**

RJ45 CAT 5E Jack — Black only Toolless	ATADJ5 <span style="border: 1px solid black; padding: 0 2px;">S</span>	\$ 65
RJ45 CAT 6 Jack — Black only Requires Tool	ATADJ6 <span style="border: 1px solid black; padding: 0 2px;">S</span>	\$ 87

**How to specify —**  
Select the Model Number from above.

*1st Option:*  
**Electrical Receptacle**  
**Color (if applicable):**  
See page 18 for finishes.



Example: ATADF3.E4

S Shippable by small-package carrier.

Finishes .....	54
Typicals .....	55-56
Introduction to Further .....	57-58
Statement of Line .....	59-60
Planning Guidelines.....	61-69
<i>Worksurfaces And Supports</i>	
Working with Worksurfaces and Supports.....	70-77
Worksurface Brackets and Support Channel.....	78
Rectangular Worksurfaces.....	79
Trapezoid and Runoff Worksurfaces.....	80
120° and Corner Cove Worksurfaces.....	81-82
Worksurface Supports — Beams, Hubs, and Supports.....	83-88
<i>Electrical &amp; Data</i>	
Working with Electrical and Data .....	89-101
Electrical Infeeds, Power Kits, and Components .....	102-103
Beam Mounted Wire Manager.....	104
Data Components .....	105
<i>Collaborative Hub</i>	
Working with Collaborative Hub .....	106
Collaborative Hub Components .....	107
<i>Screens</i>	
Working with Screens.....	108-109
Fabric Screens and Modesty Panels.....	110-111
Glass Screens.....	112
User Movable and Lateral Screens .....	113
Stride Benching Screens.....	115
Metal Screens .....	118
Tackboard Accessories .....	119
<i>STORAGE — Laminate with Metal</i>	
Working with Storage .....	120-123
Horizontal and Beam-Mounted Storage Stanchion.....	124
Pedestals and Credenzas.....	125
Storage Towers.....	126
<i>Adaptive</i>	
Adaptive Typicals.....	127
Adaptive Statement of Line.....	128
Working with Adaptive Worksurfaces and Supports.....	129-140
Working with Adaptive Electrical and Data .....	141-143
Controls and Electrical & Data Components .....	144-145
Working with Screens, Storage, and Extensions.....	146-147

PAINT FINISHES

GRADE P1

Black .....	P27
Brownstone .....	P7D
Bungalow .....	P7C
Cinder .....	P7Q
Designer White .....	PJW
Flint .....	P02
Fossil .....	P28
Loft .....	P7B
Muslin .....	P4J
Parchment .....	P93
Pebble .....	P8R
Pewter .....	P8D
Salt .....	P8C
Titanium .....	P8T

GRADE P2

Champagne Metallic .....	PR5
Gunmetal Metallic .....	PR3
Night Bronze .....	P8B
Platinum Metallic .....	PR2
Pyrite .....	PJE
Silver .....	PR6
Solar Black .....	P8X

GRADE P3

Atom .....	P8S
Blossom*** .....	P8K
Bullseye .....	PJF
Cabernet*** .....	P7T
Conifer*** .....	P8H
Ember .....	P8P
Ion .....	P8N
Iris .....	P8J
Krypton .....	P8F
Regatta .....	P8M
Succulent*** .....	P8A

\*\*\*These colors are intended to be an inspirational option for the trending market. Product application is limited and color availability is approximately two years to coincide with evolving workplace trends.

*Metallic paints, due to varying reflectance, may appear to have less visual color consistency than other paint finishes, even when L/A/B values are exactly the same. (L/A/B — measurable aspects of color — values are maintained within a specified range, to ensure consistent appearance of paint colors.)*

ELECTRICAL AND DATA COMPONENTS

Black .....	E4
Brownstone .....	EY
Designer White .....	DW
Flint .....	E9
Loft .....	EV
Muslin .....	EU
Silver .....	ES

Recommended Coordinate Colors:  
Bungalow use Muslin EU  
Carob use Black E4  
Champagne Metallic use Muslin EU  
Cinder use Brownstone EY  
Fossil use Flint E9  
Gunmetal Metallic use Brownstone EY  
Parchment use Muslin EU  
Pebble use Loft EV  
Pewter use Flint E9  
Platinum Metallic use Silver ES  
Salt use Silver ES  
Titanium use Silver ES

LAMINATES

GRADE L1

<b>SOLID COLORS</b>	
Black .....	P
Brownstone* .....	LM13
Bungalow* .....	LM12
Designer White* .....	LDW1
Flint* .....	LM16
Fossil Shale* .....	LEH1
Loft* .....	LM11
Muslin* .....	LM15
Titanium* .....	LTI1

ABSTRACT COLORS

Ash .....	LT3B
Handspun Pearl .....	LAHP
Handspun Dove .....	LAHD
Handspun Slate .....	LAHS
Handspun Chestnut .....	LAHC
Silver Mesh .....	LT8D

WOODGRAIN

Belair* .....	LWBA
Bourbon Cherry* .....	H
Field Elm* .....	LWFE
Florence Walnut* .....	LFW1
Kingswood Walnut* .....	LK11
Natural Maple* .....	LWD
NeoWalnut* .....	LNU1
Pinnacle* .....	PINC
Shaker Cherry* .....	LW7C

GRADE L2

Beigewood* .....	LWBE
Fawn Cypress* .....	LFC1
Lowell Ash* .....	LLA1
Mangalore Mango* .....	LMM1
Natural Recon* .....	LNR1
Phantom Charcoal* .....	LPC1
Phantom Ecu* .....	LPE1
Portico Teak* .....	LPT1
Skyline Walnut* .....	LSW1
Veranda Teak .....	LVT1

GRADE L3

Natural Walnut* .....	LWNW
-----------------------	------

\*Storage available in these 30 laminates.

All laminate surfaces are also offered with the FSC wood option. Add FSC in front of each laminate option. Refer to specification tools.

LAMINATE EDGE COLORS

Beigewood .....	DE
Belair .....	BA
Black .....	E4
Bourbon Cherry .....	H
Brownstone .....	EY
Bungalow .....	EX
Designer White .....	DW
Fawn Cypress .....	FC
Field Elm .....	FE
Flint .....	E9
Florence Walnut .....	FW
Fossil .....	EH
Kingswood Walnut .....	KI
Loft .....	EV
Lowell Ash .....	DL
Mangalore Mango .....	MM
Muslin .....	EU
Natural Maple .....	DD
Natural Recon .....	NR
Natural Walnut .....	DN
NeoWalnut .....	NU
Parchment .....	EN
Phantom Charcoal .....	PC
Phantom Ecu .....	PE
Pinnacle .....	PI
Platinum Metallic .....	EP
Plyband ♦ .....	PL
Portico Teak .....	DP
Shaker Cherry .....	DF
Skyline Walnut .....	SW
Veranda Teak .....	VT

♦ Edge is limited to flat edge surfaces: rectangle, square, trapezoid, polygon, or round. No curvilinear or combination curve and straight.

NOTE: Refer to individual product pages for upcharges.

FSC Certified Wood at Allsteel  
See page 259 for more information.

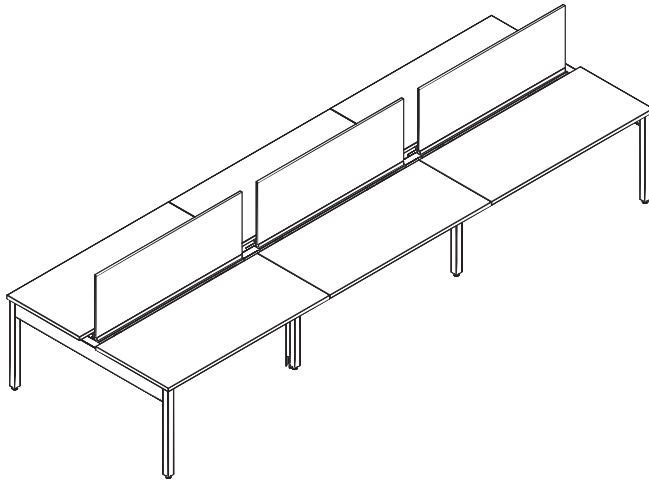
A full gallery of typicals from each Allsteel system can be found on our website:

<https://www.allsteeloffice.com/design-resources/idea-starters>.

Each typical includes a complete BOM with current pricing, downloadable CAD files and PDFs of each drawing.

**Linear Shapes**

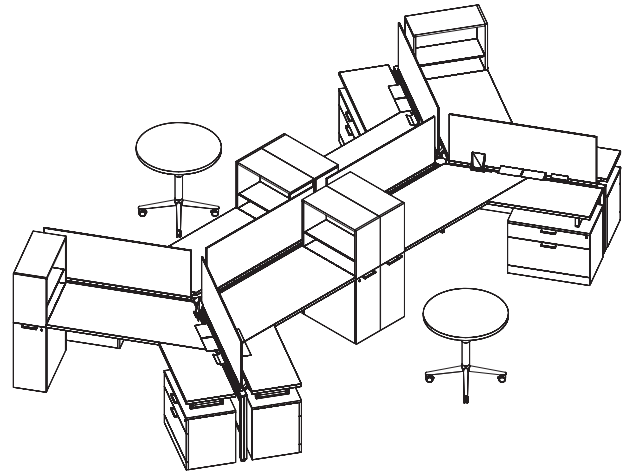
Use the Allsteel Typicals Gallery to find the components used in a Further Station.



**Further Beams Connected Bench 2'-6" x 5'**

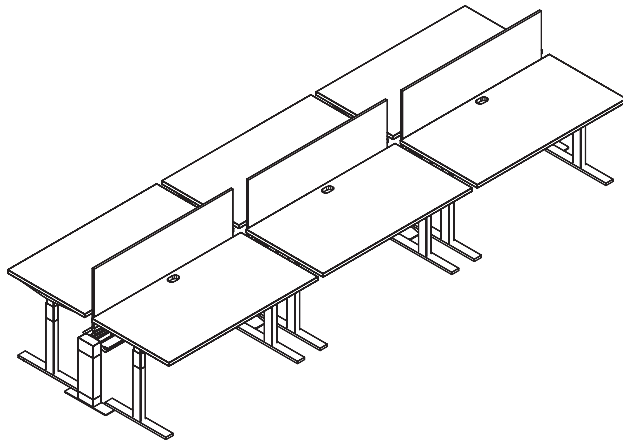
*Bench configuration encourages collaboration.*

**Organic Shapes**



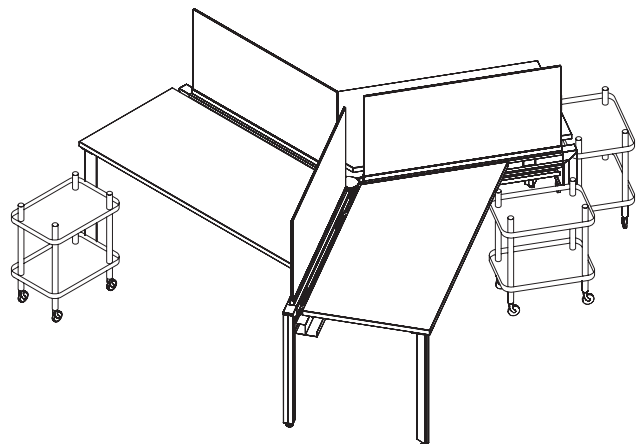
**Further Beam Connected Dog Bone 7'-6" x 7'-6"**

*Trapezoid worksurfaces provide an open feeling.*



**Further Bench w/Freestanding 2'-6" x 5'**

*Freestanding tables provide the ability to reconfigure as needed.*



**Further Pinwheel w/Freestanding 5'-6" x 6'**

*Mobile carts provide ability to reconfigure.*

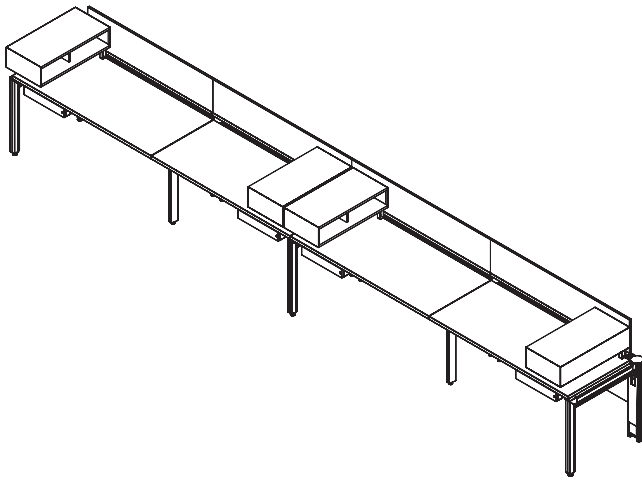
NOTE: Further Typicals can be found at <https://www.allsteeloffice.com/design-resources/idea-starters>.

A full gallery of typicals from each Allsteel system can be found on our website:

<https://www.allsteeloffice.com/design-resources/idea-starters>.

Each typical includes a complete BOM with current pricing, downloadable CAD files and PDFs of each drawing.

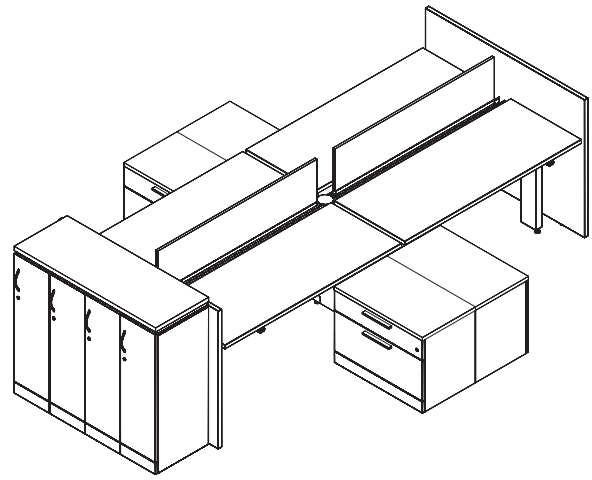
Single Sided



**Further Touchdown 5' x 2'-9"**

*Storage and screens provide privacy.*

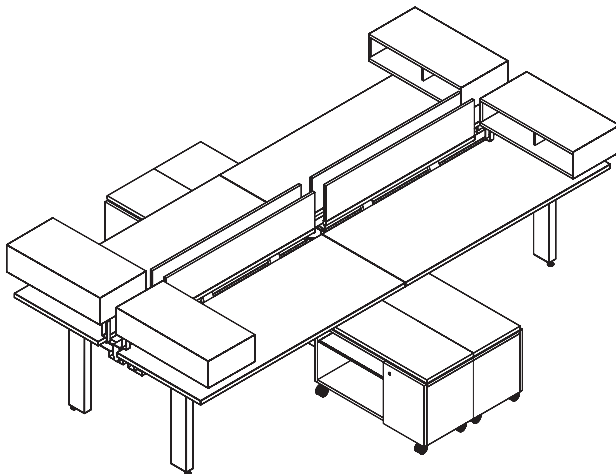
90° Planning



**Further Short Bench 7' x 5'-6"**

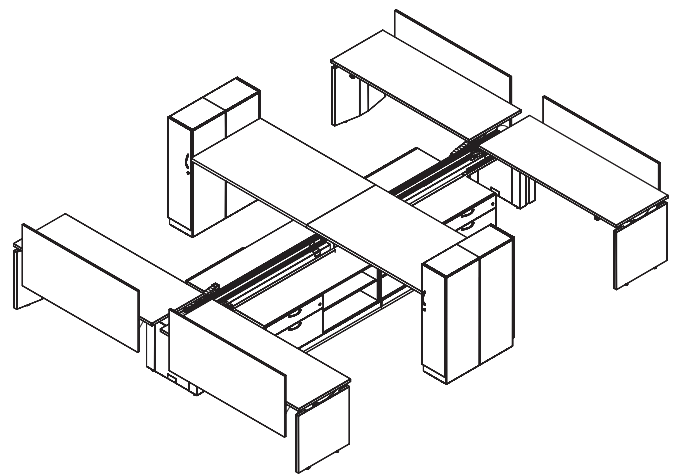
*Gallery panels provide touch down privacy.*

Dual Sided



**Further Small Beehive 5'-6" x 5'-6"**

*Mobile credenzas double as guest seating.*



**Further with Involve® 7' x 6'-2½"**

*Wardrobe towers provide storage for personal items and create space division.*

NOTE: Further Typicals can be found at <https://www.allsteeloffice.com/design-resources/idea-starters>.

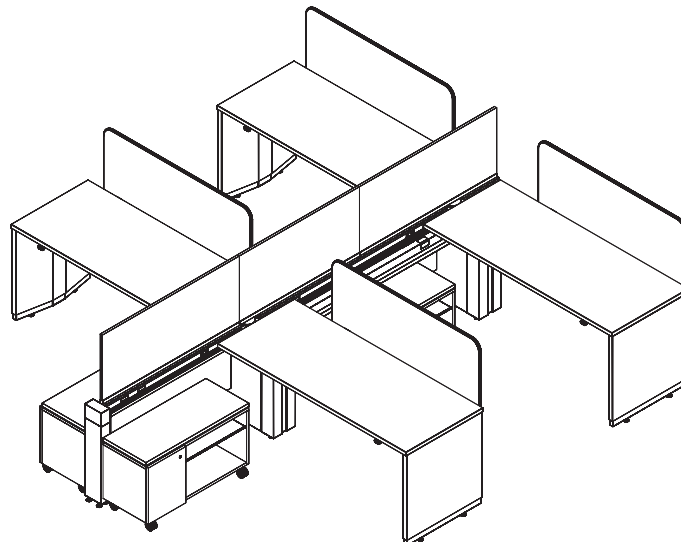
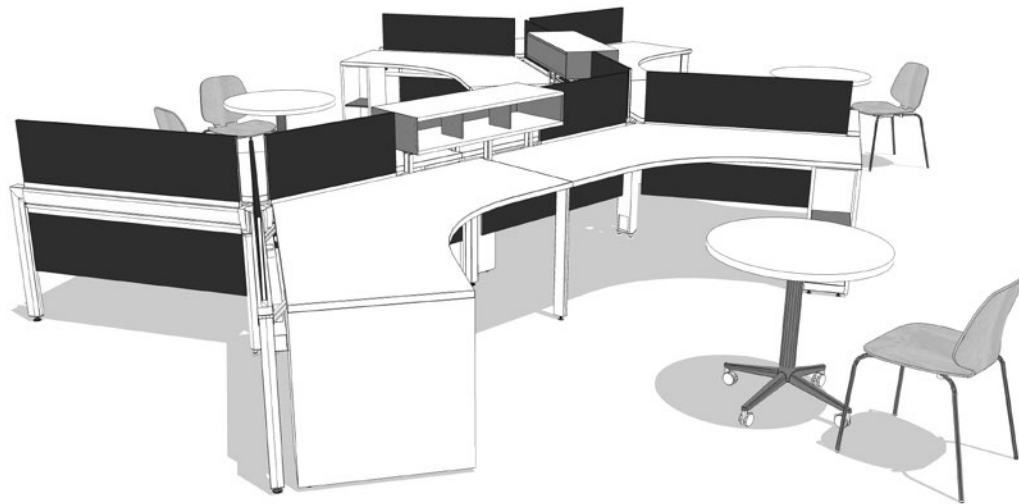
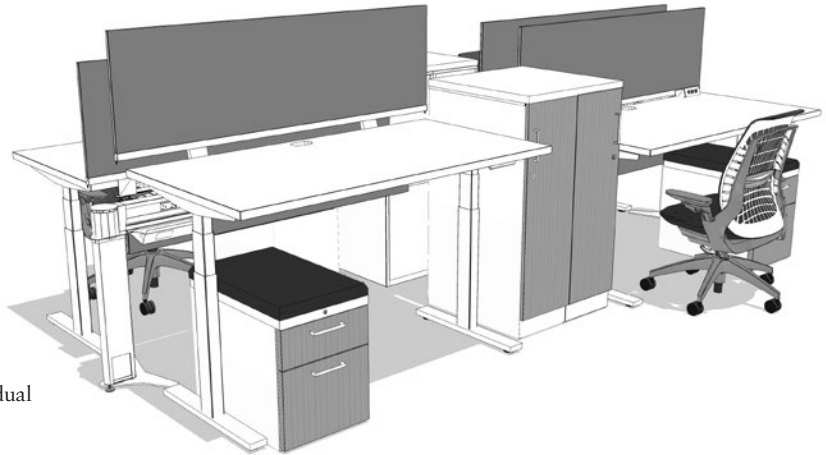


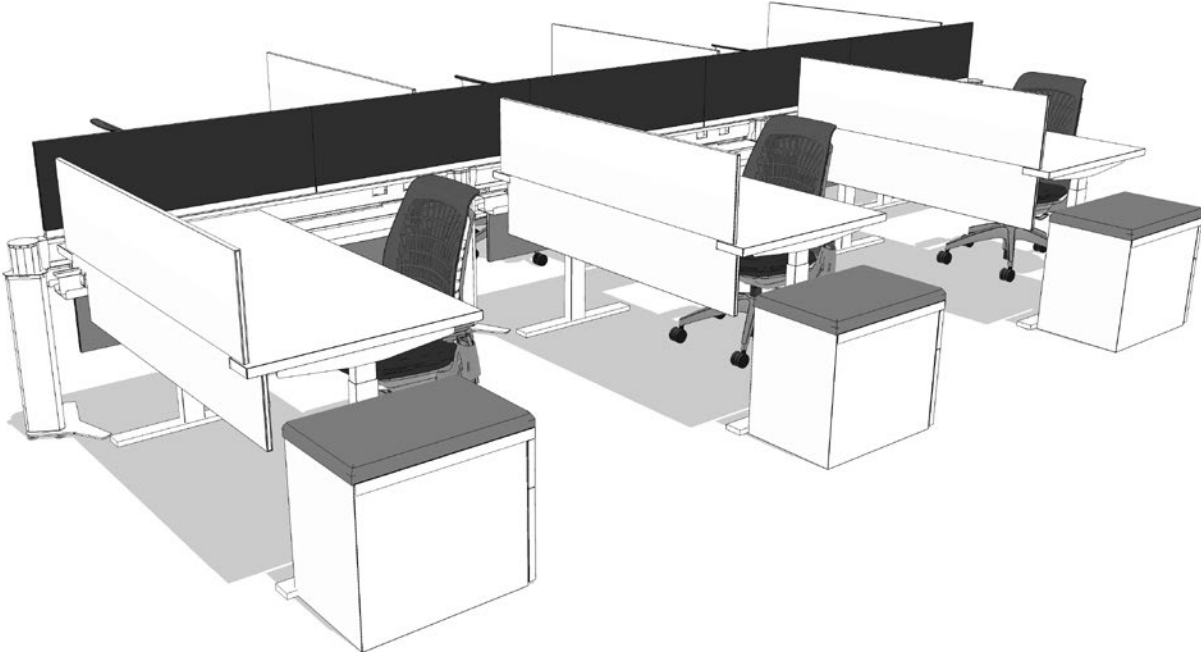
### Choice is yours.

Further is an agile furniture solution that embraces the ever-changing workplace and frees people to adapt their environment — simply, elegantly and efficiently — at their own pace.

At the heart of Further is the hub. Ultimately flexible, the hub provides power and data support for a variety of applications, whether beam supported or freestanding.

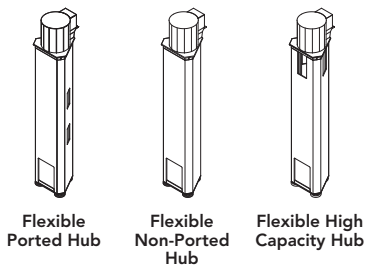
Whether the planning approach is organic or linear, individual or team-based, Further can bring your design to life.



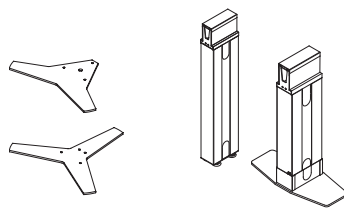


FURTHER

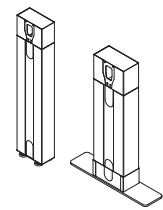
HUBS, BEAMS, and SUPPORTS



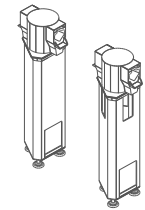
Flexible Ported Hub  
Flexible Non-Ported Hub  
Flexible High Capacity Hub



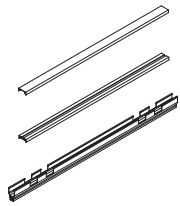
Hub Base Kits  
Linear In-Line Hubs



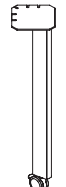
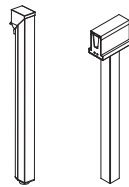
Linear End-of-Run Hubs



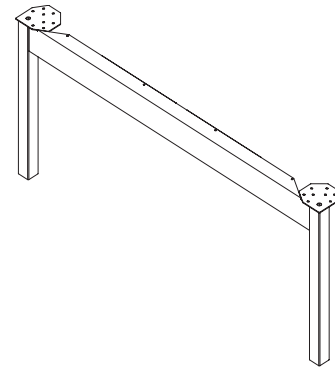
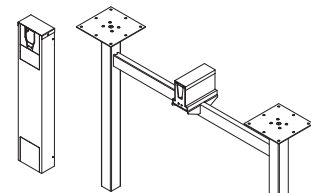
Low Flexible Hubs:  
Standard and High-Capacity



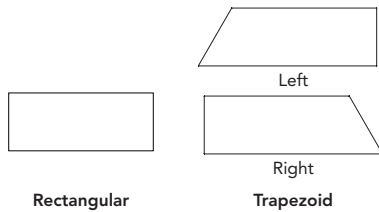
Beams and Trim



Legs

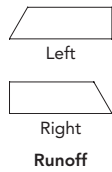


WORKSURFACES — Laminate

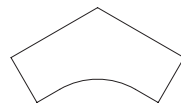


Rectangular

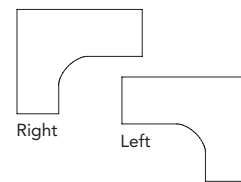
Trapezoid



Runoff

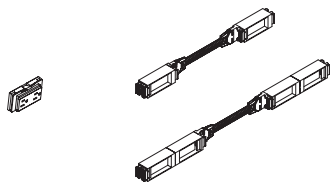


120°



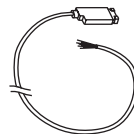
Corner Cove

ELECTRICAL & DATA

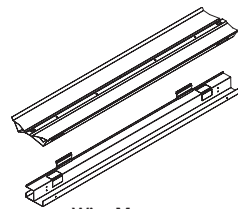


Duplexes

Power Kits



Infeeds

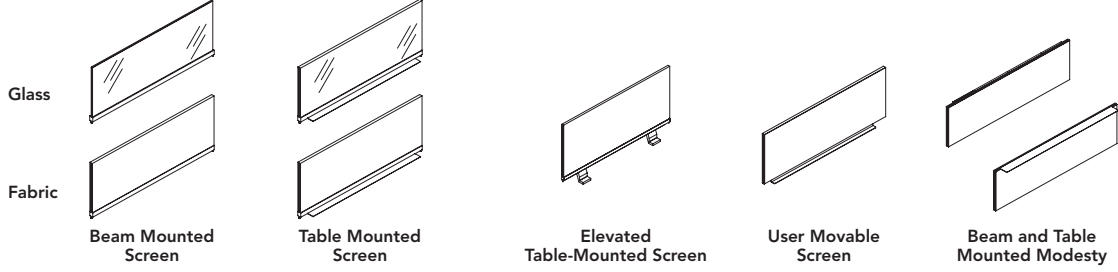


Wire Managers



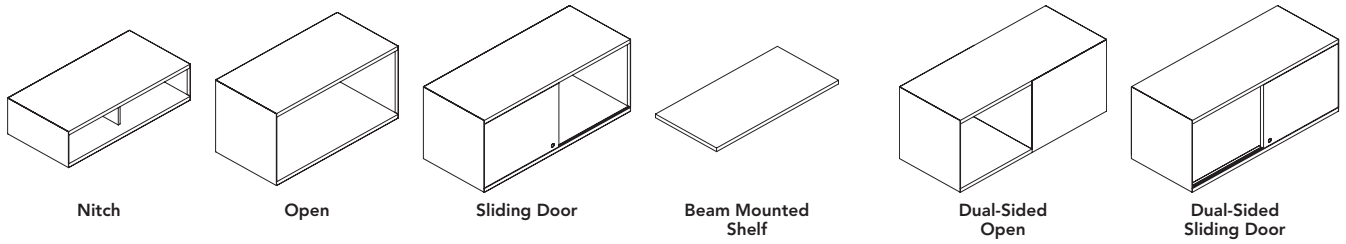
Power Pole

SCREENS

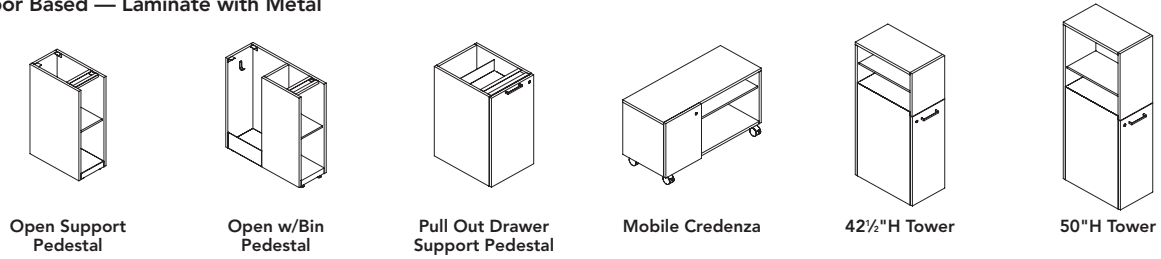


STORAGE

Horizontal — Laminate with Metal



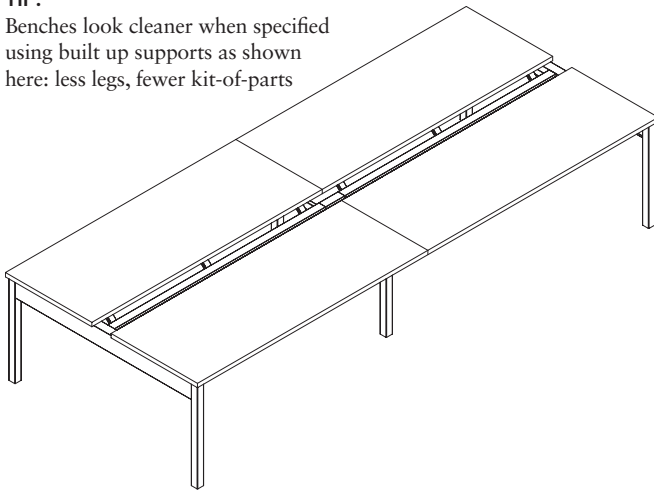
Floor Based — Laminate with Metal



## Dual Sided Bench — Tethered

**TIP:**

Benches look cleaner when specified using built up supports as shown here: less legs, fewer kit-of-parts



**Dual-Sided Bench (Non-Sit-to-Stand):**

- Maximum run length is 60'.
- Available in two styles: H-Leg and A-Leg for both End and Mid-Supports.
- Use infeed cover for H-Leg and A-Leg supports.
- Beam mounted storage shelf is allowed.

When specifying with Kit-of-Parts (Beam End Leg, In-Line Leg, Worksurface Legs and Hubs), adhere to the following rules:

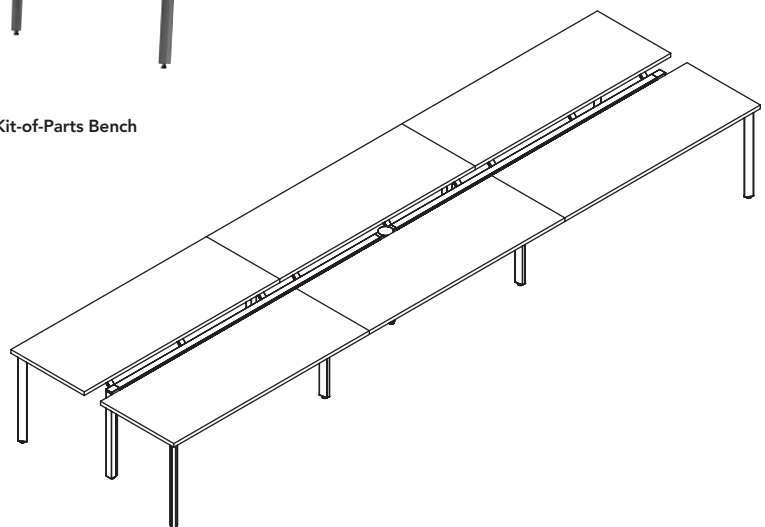
- A support to the edge of the worksurfaces is required every 18' of run. This may be any of the following:
  - a) return beam
  - b) support storage
  - c) bench end
  - d) worksurface support leg at front edge of worksurface.
- When two worksurfaces are side by side parallel to the beam, a worksurface support leg in a shared application or worksurface support storage is required.
- A minimum of four worksurfaces are required when using a beam and beam end leg kits on both ends of a run.
- Cannot not use two in-line support legs in a row.



A-Leg Bench



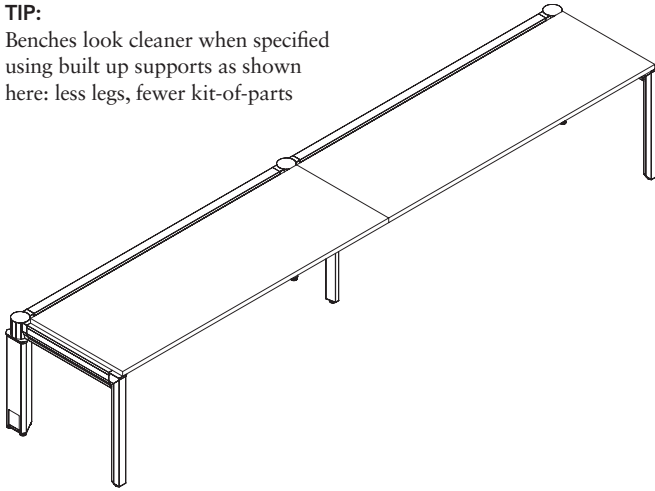
Kit-of-Parts Bench



## Single Sided Bench — Tethered

**TIP:**

Benches look cleaner when specified using built up supports as shown here: less legs, fewer kit-of-parts

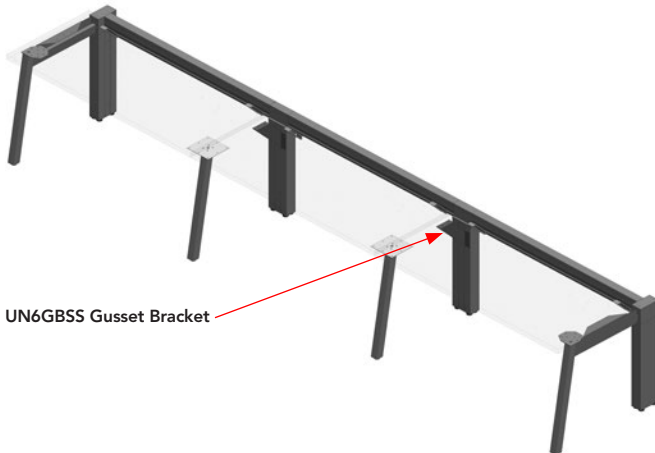


### Single-Sided Bench

- Available in two styles: H-Leg and A-Leg for both End and Mid-Supports.
- Infeed can be routed through the H- or A-Frame supports.
- Use gusset bracket with every mid-support for stability. Adhere to this rule even when specifying In-Line legs or Hubs. Gusset bracket ordered separately - model UN6GBSS
- Beam mounted modesty screens recommended to provide privacy and conceal single-sided wire or data managers.
- Beam mounted storage shelf is allowed.

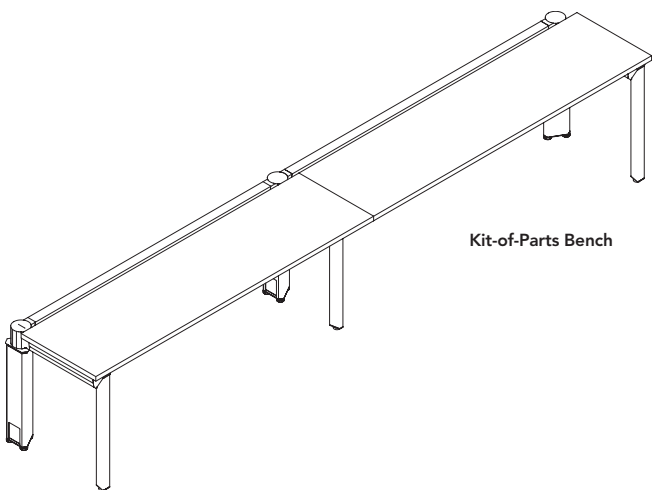
When specifying Kit-of-Parts bench (Beam End Leg, In-Line Leg, Worksurface Legs and/or Hubs), adhere to the following rules:

- Maximum run length is 26'.
- Maximum beam length allowed is 72".
- Worksurface support leg in a shared application or worksurface support storage is required.
- Gusset bracket is required at every mid-support leg or hub.
- Note: End-of-run worksurfaces overlay return beams halfway.

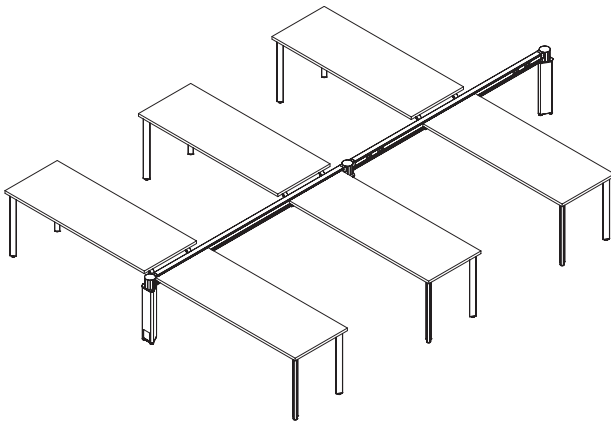


UN6GBSS Gusset Bracket

Kit-of-Parts Bench



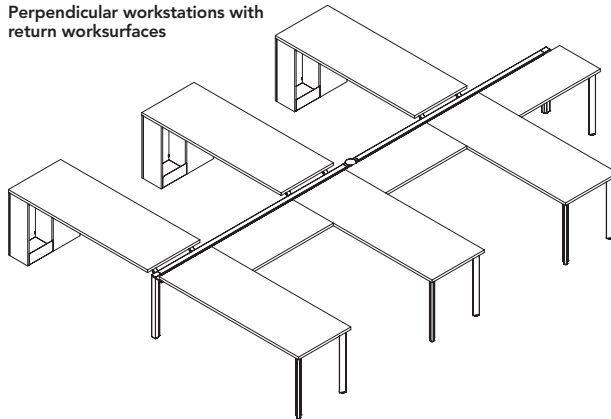
## Perpendicular to Beam



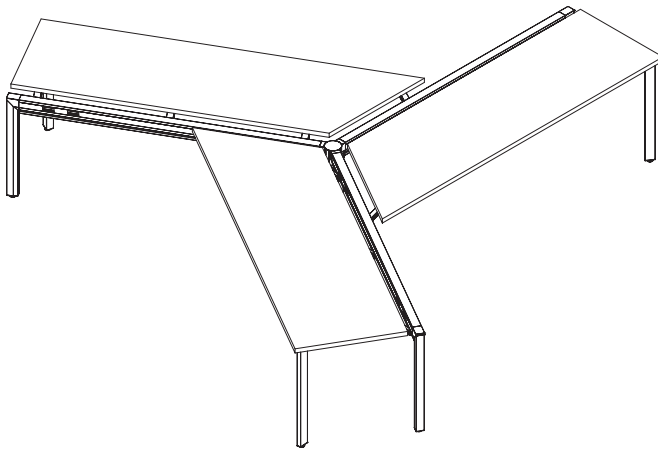
### Perpendicular Workstations

- Maximum setup length is 60'. Maximum of two 96" beams can be used in a run.
- Worksurfaces mounted perpendicularly to beam require 2 worksurface mounting brackets U6WBTF. Brackets cannot be placed more than 6" from edge of worksurface.
- Perpendicular workstations may be used with return worksurfaces. A flat bracket must be used between the two surfaces in place of a shared support leg.
- Specifying a setup with only perpendicular worksurfaces requires either support storage on the non-beam side or all beam support to be hubs.
- In-line support leg cannot be used.
- Horizontal storage is allowed. Worksurface stanchions must have a surface to rest on.

Perpendicular workstations with return worksurfaces

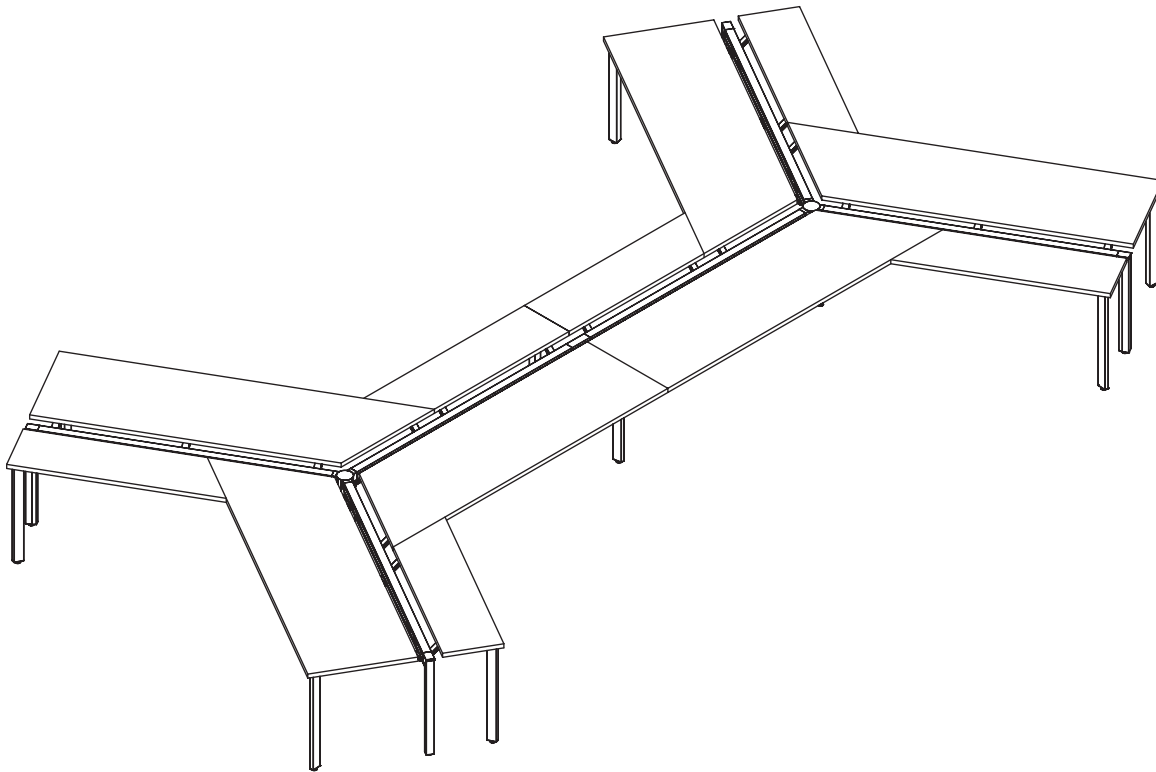


## 120° Pinwheel — Organic Tethered



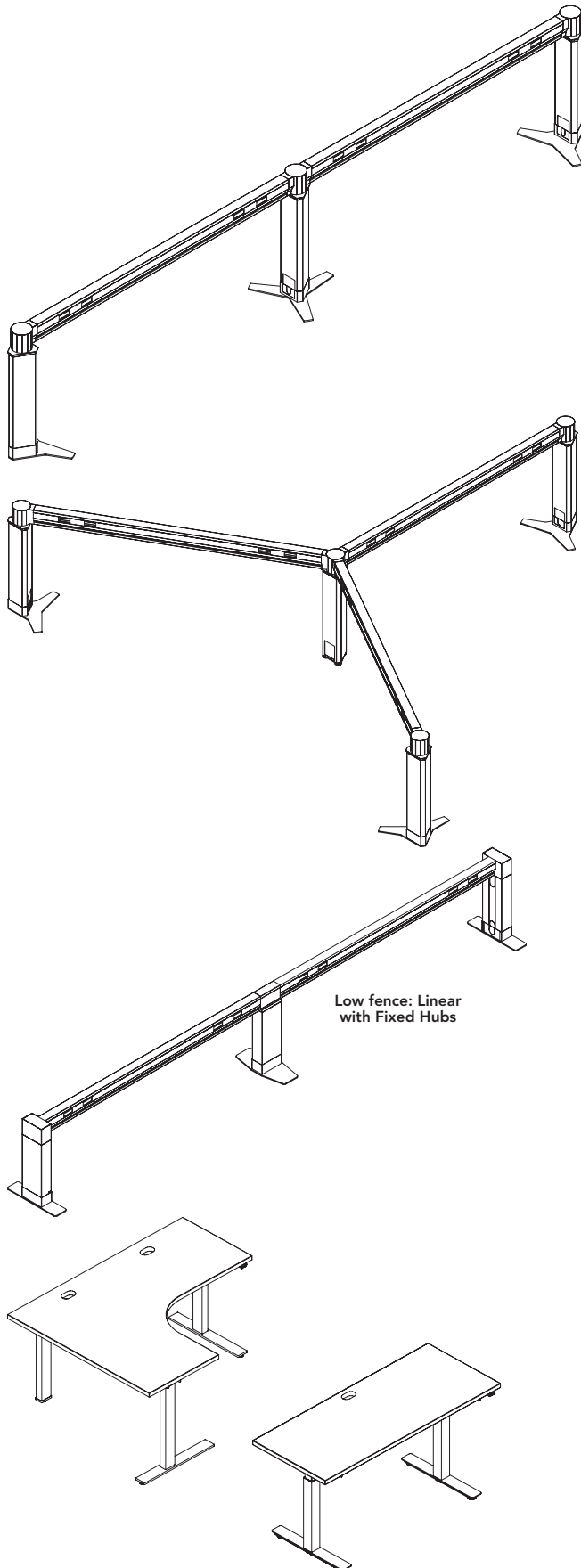
### 120° Organic Workstations

- Beam lengths match on module to short side of trapezoid surfaces only.
- Flexible hub required for 120° beam connections.
- When specified, runoff worksurface “hand” must be the opposite of the parent worksurface “hand” to match beam lengths.
- Horizontal storage is allowed. Worksurface stanchions must have a surface to rest on.
- When back-to-back worksurfaces are of equal depths (24" D or 27" D), Bench End and Mid-Supports can be specified.



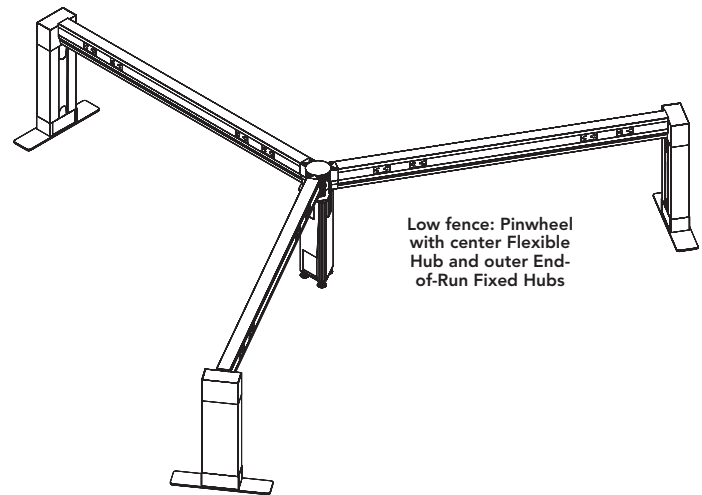


## Freestanding Beams



### Freestanding Beams

- No restrictions on maximum setup length.
- Hubs must be used for support. Gallery Panels can be used at ends in lieu of hubs.
- Low hubs recommended when using height-adjustable worksurfaces to avoid height-adjustable desk to beam collision.
- Hub feet or floor anchor brackets required, except at L-, T-, or X-connections.
- Minimum 54" beam in a one beam with two hubs application.
- Minimum return run length using a beam end support leg is 36", use of hub is recommended for return beams.
- Glass screens are allowed when supported using Gallery Panels at both ends or L-, T- or X-connections.
- Beam mounted fabric screens are allowed.
- 13"H fabric screens can be used as Modesty with low beams.
- Beam mounted horizontal storage not allowed.
- Flexible and Fixed Hubs are interchangeable.
- Flexible and Fixed Hubs may be used in conjunction to create the desired applications.
- 1-shelf per freestanding beam allowed. Must have hub feet.



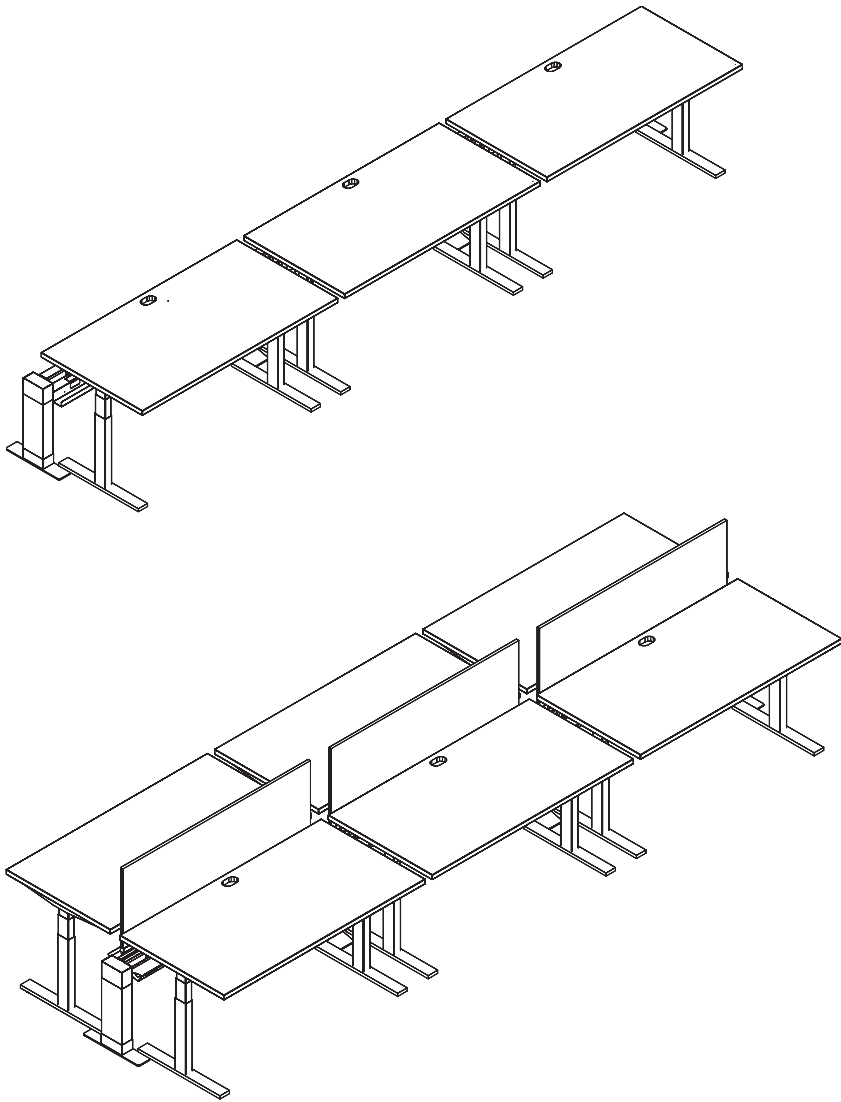
Low fence: Pinwheel with center Flexible Hub and outer End-of-Run Fixed Hubs

### 2- and 3-Stage Height-Adjustable Tables

Allsteel's Altitude electric height-adjustable tables provide the perfect combination of functionality and user control.

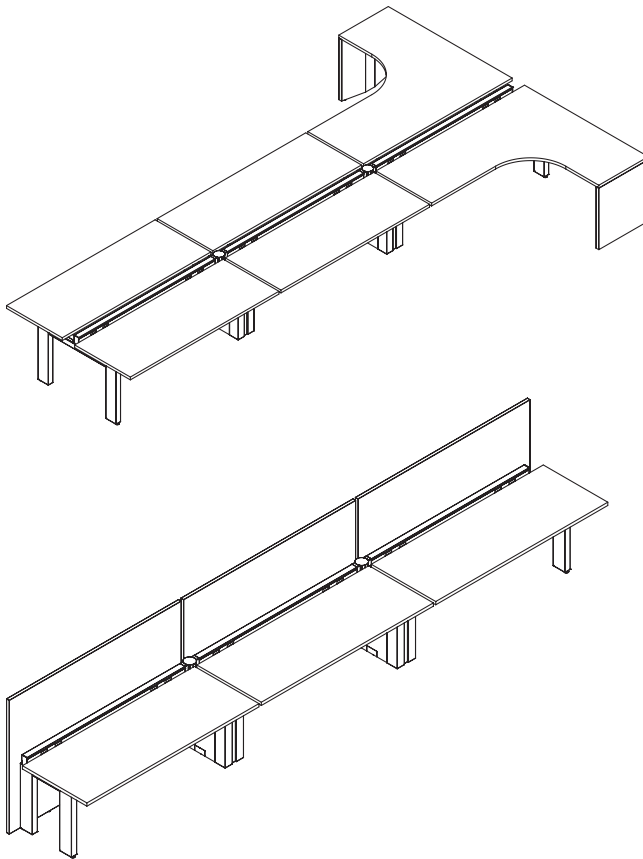
The sit-to-stand adjustment encourages posture changes throughout the day and has been shown to increase workplace satisfaction and overall comfort. These easy-to-operate tables can accommodate different workstyles, making it an ideal solution for any work environment.

## Freestanding Beams



FURTHER

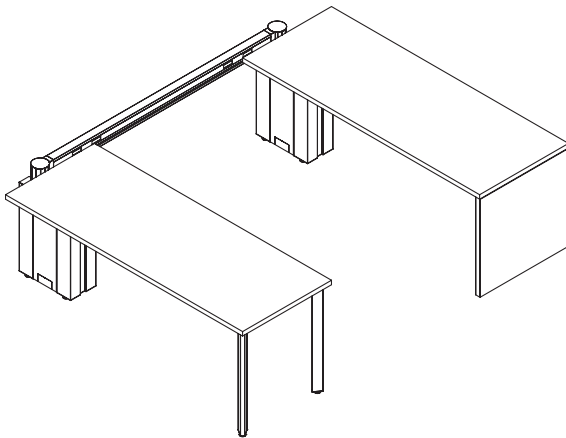
## Adaptive Linear Benching — Height-Adjustable



### Adaptive Benching

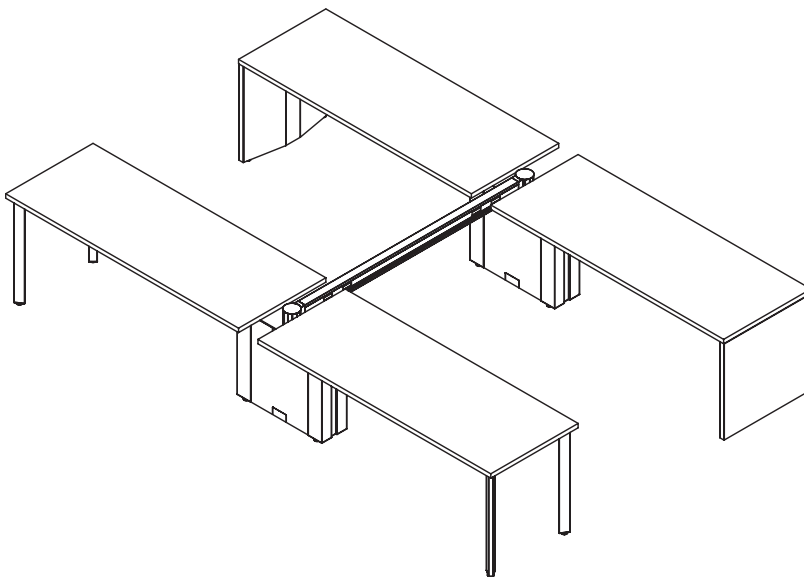
- Mid-supports are required.
- A maximum of two mid-supports in a row may be used.
- Two end supports may be used in succession to extend 6-pack – requires 9" in-line beam connector.
- Single-sided setups require gallery panels to be mounted along spine of beam, or floor anchor brackets on all beam supports.
- Minimum of two single-sided stations allowed.
- Single-sided gallery panels must match the length of worksurfaces specified. Minimum height of the Gallery Panel must be 42"H.
- Adding power to a dual-sided two station application requires a hub at one end.
- Dual-sided two-station requires leg infill on each end support for stability. Contact Allsteel Tailored Products Group.
- Corner cove worksurfaces require a 3-leg control box kit and perpendicular outer support.

## Adaptive Perpendicular — Height-Adjustable

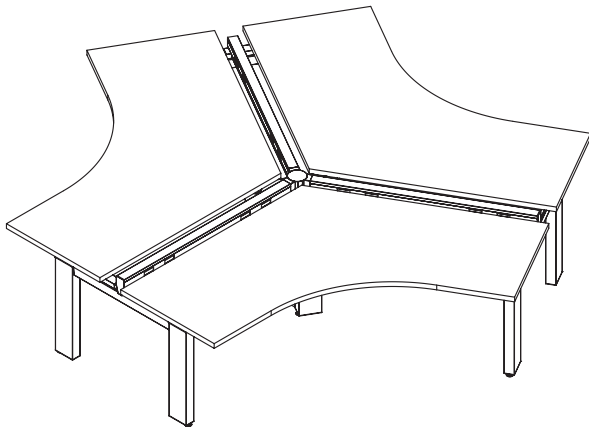


### Adaptive Perpendicular Workstations

- No restriction on number of perpendicular mid supports used in a row.
- Worksurfaces are centered over perpendicular mid supports, but may be mounted up to 4 7/8" forward from mid support to reduce footprint.
- Minimum of 4 stations for dual-sided applications, 2 stations for single-sided applications.
- Perpendicular mid support does not complete height-adjustable station – must order perpendicular outer support.
- Fixed height stations require two worksurface support legs on non-beam side in place of a perpendicular outer support.
- A minimum beam length of 30" must be used between perpendicular mid supports for 27"D surfaces, and a minimum length of 24" for 24"D surfaces.
- Trapezoid worksurfaces not allowed.

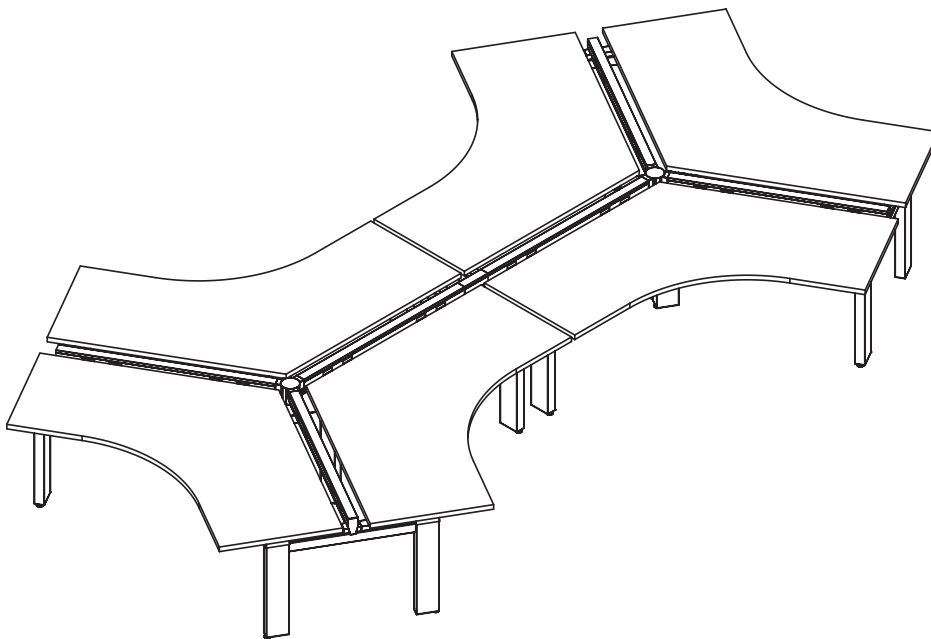


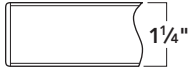
## Adaptive Organic — Height-Adjustable



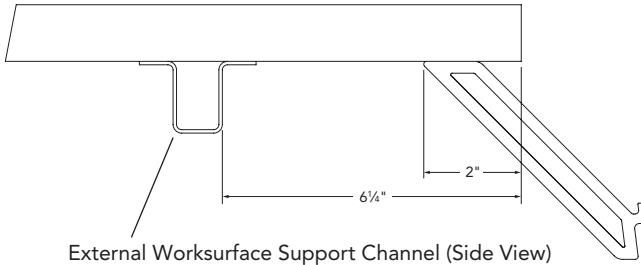
### Adaptive 120° Workstations

- Requires a 120° mid support at all 3-way beam connections.
- End supports required on beams also connected to a 120° mid support.
- 7" in-line connector required to attach multiple 120° workstations.
- Single-sided end supports not allowed.
- Trapezoid worksurfaces not allowed.





Flat Edge Detail



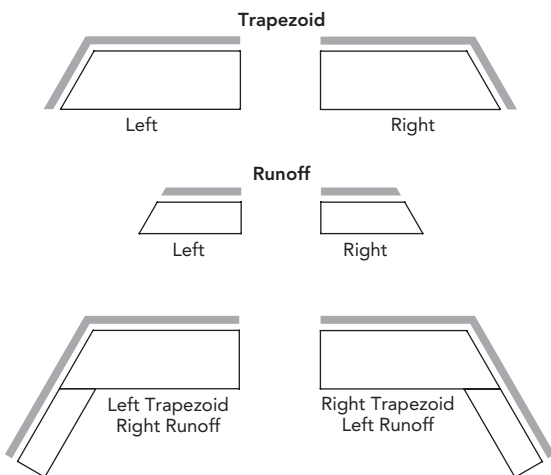
External Worksurface Support Channel (Side View)

The beam attaches to the shaded worksurface edge.

### Rectangular Worksurfaces (Top View)



### Trapezoid and Runoff Worksurfaces (Top View)



### All Worksurfaces (pages 78-82)

- All worksurfaces for Further are 1/4" thick particleboard core with top surfaces finished in laminate, bottom surfaces covered with a backer sheet, and with a flat edge.
- Edge band is 2mm thick ABS plastic on all edges.
- All worksurfaces exclude grommets.
- 24" D worksurfaces support the use of storage from other Allsteel product lines.
- The gap from the back edge of the worksurface to the beam is 1 7/8".
- Back edge of the worksurface to the beam centerline distance is 3".
- Maximum worksurface overhang of a parent run is 12".  
Worksurfaces that overhang the parent run by more than 12" require system legs or supporting storage to support the overhanging edge.
- Maximum 12" overhang when worksurfaces are used in freestanding or adjustable-height applications.
- Distance from floor to top of worksurface is 29 1/2" with glides fully retracted.
- External worksurface support channels are required for unsupported spans at 60" W or greater — see description below.
- Legs and supports from other product lines (Involve open legs, etc.) can be used but there are no pilot holes to support ease of installation and reconfiguration.

### Rectangular Worksurfaces (page 79)

- Primary worksurface depths are 21", 24", and 27" (allows for gap and 24", 27", or 30" dimension to center of beam).
- Actual width and depth are equal to the nominal width and depth.

### External Worksurface Support Channel (page 78)

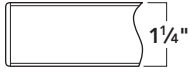
- Must be added to unsupported spans at 60" W or greater. Pilot holes are included on worksurface to ensure accurate placement to avoid interference with screens, mounting plates etc.
- Extends 1 1/2" below the worksurface. Stiffener is 6 1/4" from back edge of the worksurface to the vertical wall of the stiffener.
- May interfere with storage or mounting of accessories.
- When using tethered surfaces order to match the size of worksurface.  
*Example:* Z5SC72 goes with an 72" W worksurface. Stiffener is 12" shorter than worksurface. For worksurfaces over 84", add a worksurface support leg or support storage centered along the width of the surface.
- If floor support storage is used, subtract width of storage from size of stiffener.
- For freestanding tables order one size down. Stiffener is 18" shorter than worksurface. *Example:* Z5SC66 is used with a 72" W worksurface.

### Trapezoid Worksurfaces (page 80)

- Primary worksurface depths are 21", 24", and 27".
- When using trapezoid surfaces beams will be on module when short side is oriented toward the beam. Using long side oriented to beam will be a non-modular application, specify nearest beam length.

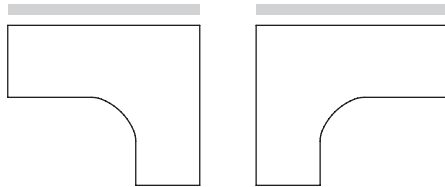
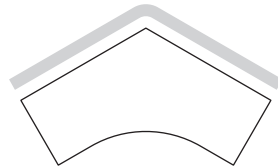
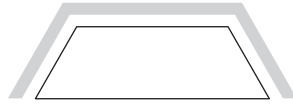
### Trapezoid Runoff Worksurfaces (page 80)

- Run off worksurface depths are 15" and 18".
- When using run off surfaces the hand of the run off should be opposite the hand of the parent to match beam lengths.
- Flat bracket T612FB and system support leg U6L2FG are required when using run off surfaces with primary surfaces in 120 degree applications.
- Are not allowed to be used for freestanding tables.



Flat Edge Detail

Shaded edge is side to attach to beam to be on module.



### Symmetrical Trapezoid Worksurfaces (*De-emphasized*)

- Symmetrical Trapezoid work surface depths are 21", 24", and 27". Sized for intended gap on three sides of work surface.
- When using trapezoid surfaces beams will be on module when short side is oriented toward the beam. Using long side oriented to beam will result in a non-modular application, specify nearest beam length.
- Back edge widths 39" - 57"W require 4 work surface brackets U6WBTF. Back edge widths over 57"W require 5 brackets.
- Models with a front edge length of 70" and wider require a support leg centered and no more than 18" from front edge in both tethered and freestanding applications
- Models with front edge of 60" in length and wider require external stiffener. Stiffener should be undersized by 12" from length of front edge.

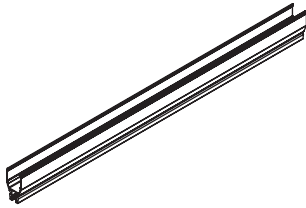
### 120° Worksurfaces (page 81)

- 120° work surface depths are 21", 24", and 27".
- Can be configured with Altitude™ height-adjustable bases.
- Can be configured with support storage on either side of the work surface.
- Requires 4 work surface brackets U6WBTF when primary sides of surface are parallel with beams.
- T-mold is used on the edge of curved work surfaces. This will have a noticeable visual difference when directly adjacent to straight work surfaces.

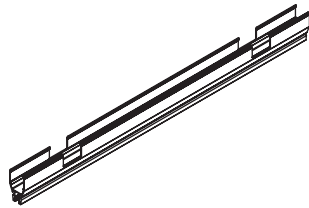
### Corner Covs (page 82)

- Corner cove work surface depths are 24" and 27"; widths are 60"W, 66"W, and 72"W; and return side is always 60"W and 24"D.
- Worksurfaces come with required external support channel.
- Can be configured in standard Further or Further Adaptive.
- When using Further Adaptive perpendicular outer supports U6PE241HA, one U6MSDG adaptive gusset should be ordered for every two work surfaces. If there is an odd number of work surfaces, an additional U6MSDG should be ordered for the odd work surface.
- T-mold is used on the edge of curved work surfaces. This will have a noticeable visual difference when directly adjacent to straight work surfaces.

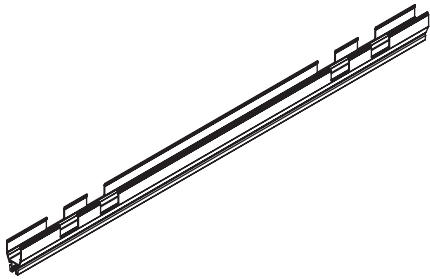
### Beam Configurations



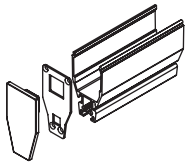
Beams — Non-Ported  
18"–96"



Beams — Ported  
Short 36" and 42"

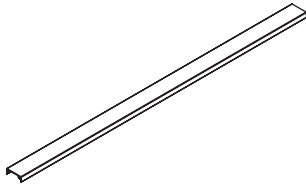


Beams — Ported  
Long 48"–96"

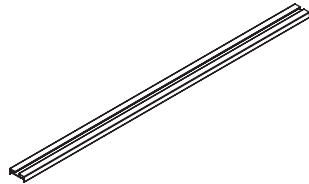


Cantilevered  
Beam  
6"–12"

### Top Trim



Flat — 6"–96"



Rail — 6"–96"

### Beams (page 83)

- Supplies power to user and supports worksurfaces, storage, and screens.
- Ported and non-ported options available in 6" increments. Ported beams require electrical receptacles or blank covers ordered separately.
- Flat or mounting top trim required to finish off beams – order separately.
- Beams do not connect directly in-line with one another, use in conjunction with beam support.
- Height of assembled beam with top trim is  $4\frac{1}{4}"H \times 2\frac{1}{8}"D$ .
- Order worksurface support brackets U6WBTF separately – quantity varies, see page 76.
- Electrical port locations are back-to-back, symmetric about beam center, and a standard distance away from beam ends on all lengths.
- 36" and 42" ported beams have 2 duplex receptacle locations on each side (4 total), 48"-96" ported beams have 4 on each side (8 total).
- Ported beams do not carry data cables internally. Data cables are routed externally through beam mounted wire-managers. See pages 94 and 104.
- Non-ported beams can be used in conjunction with beam end legs and benching end connector to create a benching end condition.

### Cantilevered Beam (page 83)

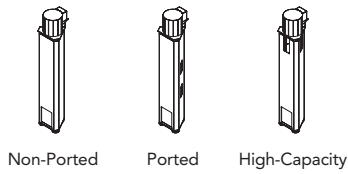
- Cantilevered beams can extend the length of a run by 6", 9", or 12".
- Must mount to a flexible hub or adaptive mid support.
- Must order flat or mounting top trim separately.
- Model includes a finished end cap.
- Worksurfaces can be mounted on a cantilevered beam when used in conjunction with a worksurface support bracket.
- Horizontal storage cannot be mounted to a cantilevered beam.

### Beam Top Trim (page 84)

- Available in 6"-96" lengths in flat or mounting rail and is required to finish off a beam. Must match beam length, no exceptions.
- Mounting top trim contains a reveal for mounting screens and storage.
- Mounting top trim is recommended for projects specified under Chicago electrical Codes.
- Flat top trim is recommended on beams used in a bench end kit.

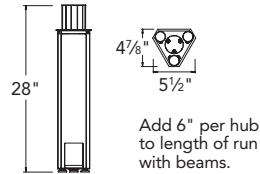


## Flexible Hubs



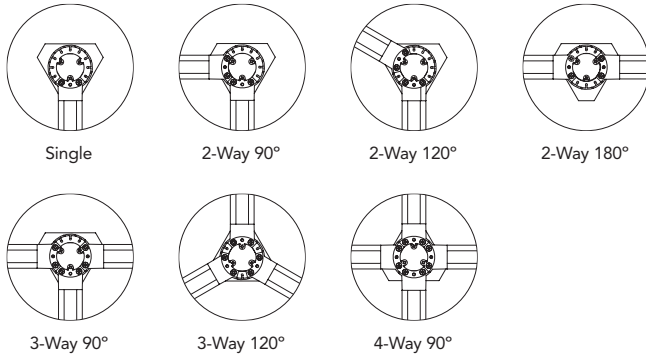
Non-Ported    Ported    High-Capacity

## Hub Dimensions



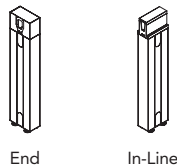
Hub with base U3HAL

## Flexible Hub to Beam Connectors



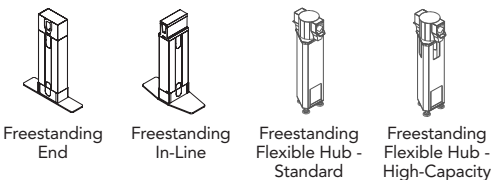
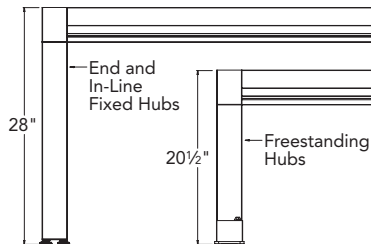
Single    2-Way 90°    2-Way 120°    2-Way 180°  
3-Way 90°    3-Way 120°    4-Way 90°

## Fixed Hubs

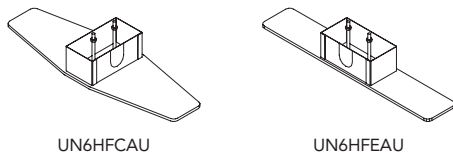


End    In-Line

## Fixed Hubs Dimensions

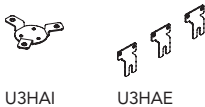


Freestanding End    Freestanding In-Line    Freestanding Flexible Hub - Standard    Freestanding Flexible Hub - High-Capacity



UN6HFCAU    UN6HFEAU

## Floor Anchor Brackets



U3HAI    U3HAE

## Carpet Grippers



U3CG12

## All Beam Supports (pages 85-87)

- Usage rules vary depending on configuration, see specification rules and examples, pages 61-69.
- Include leveling glides with 2 3/4" adjustment.

## Flexible Hub (page 85)

- Supports up to four beams attached in 30° increments; order hubs based on the number of beams that will be connected.
- Carries power and data to the beam structure; infeed can be routed through the side or bottom of hub.
- Hub has one removable cover for installation of power and data.
- Standard, ported, and high-capacity options available.
- Ported flexible hub requires a power kit and duplex receptacles – each ordered separately.
- Flexible high-capacity hub increases system data capacity. (see pages 93-94)
- Flexible high-capacity hub comes with 2 grommet covers as standard.
- Required when using power pole U2HPP.
- Includes flat trim; may be used to span a screen over the trim.
- Freestanding applications require flexible hub feet. (see page 65)
- No foot is needed on a Flexible Hub when connecting to 2 or more beams in a non-linear application.

## Flexible Hub Base Kit (page 85)

- Attaches to flexible hub.
- Options available for two and three feet. Two feet used at the end of a run, three feet used in the center.
- Provide standard leveling of 2 3/4".

## Fixed Hubs (page 85)

- Carries power and data to the beam structure; infeed can be routed through the side or bottom of hub.
- Hub has one removable cover for installation of power and data.
- In-line and end-of-run options available.
- In-line fixed hub supports two beams in a 180° condition and adds 6" to run.
- End-of-run fixed hub supports one beam and adds 3" to run.
- End-of-run fixed hubs can be turned 180° to remove the cover and access leveling glides and cables inside.
- Freestanding option available – See additional details below.
- For a free-standing application, it is ideal to specify the low hubs. See below.
- Specify UN6HFCAU for In-Line foot or UN6HFEAU for end-of-run foot separately.
- Required when using square power pole.

## Low Hubs (page 86)

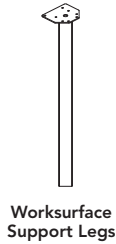
- From floor to top of the low Hub is 20 1/2".
- Fixed Hubs
  - include feet with standard leveling of 2 3/4".
  - are recommended for straight or linear applications.
- Flexible Hubs
  - feet are not required when used in L-, T-, or X-connection.
  - feet are required when using in linear application (feet ordered separately - see page 85).
  - may be used in conjunction with Fixed Hubs to create the desired applications.
  - are available in both standard- and high-capacity options.
  - include Hub-to-Beam connectors.
- Required when using square power pole.

## Floor Anchor Brackets (page 85)

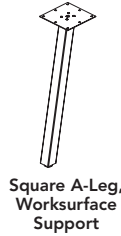
- Used to anchor beam and worksurface supports to the floor.
- Attach to standard leveling glides provided with all beam supports.
- May be required with hard-wired electrical depending on local code.
- May be used in place of flexible hub feet in freestanding applications.
- Hardware for mounting to floor is not included.
- Internal (hidden) option available for flexible hub. U3HAI
- External kit U3HAE contains 3 anchor brackets.

## Carpet Grippers (page 85)

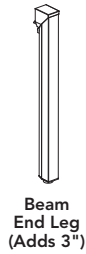
- Attach to leveling glides for added system rigidity when placed on carpeted surface.
- Kit U3CG12 contains 12 carpet grippers.



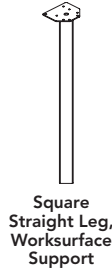
Worksurface Support Legs



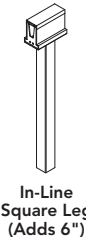
Square A-Leg, Worksurface Support



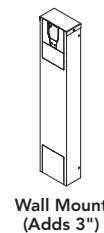
Beam End Leg (Adds 3")



Square Straight Leg, Worksurface Support



In-Line Square Leg (Adds 6")



Wall Mount (Adds 3")

### Beam End Leg (page 87)

- Supports a beam at the end of a run.
- Model includes vertical support leg, beam connector, and trim.
- Extends beam run by 3".

### Worksurface Support Legs (page 87)

- Support worksurfaces that are tethered to the beam structure.
- Triangular Leg and Square Leg options available.
- Triangular Leg can be used to support free-standing tables.
- Can be used as a shared support leg centered between two worksurfaces. Includes tie-bracket for shared applications.
- When used as a shared support leg, must not be more than 15" back from front edge of worksurface on 24"D and 27"D worksurfaces; no more than 12" back on 15"D, 18"D and 21"D worksurfaces.

### In-Line Legs (page 87)

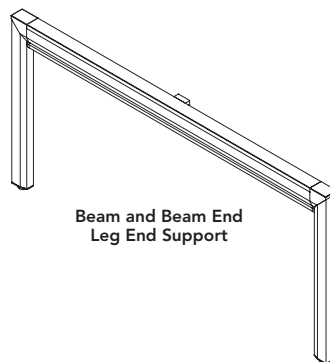
- Supports between two beams.
- Dual sided applications may not use two in a row.
- Single sided applications must be used in conjunction with the gusset bracket UN6GBSS. Ordered separately.
- Includes flat trim.
- Screens may span over in-line leg flat trim.

### Wall Mount (page 87)

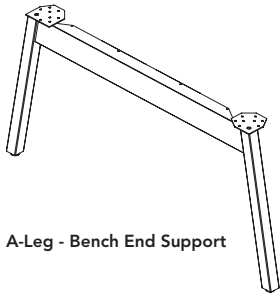
- Attaches end of beam run to wall.
- Power infeed and data accessible.
- Mounts directly over or adjacent to a wall core.
- Mounting hardware for attaching to wall is to be supplied by installer. Requires hitting wall stud.
- Starts beam 3" from wall. On module worksurfaces sit flush to wall.
- Can be used in freestanding beam applications.

### Bench End Triangular Supports with Built-up Components (pages 83, 84, and 87)

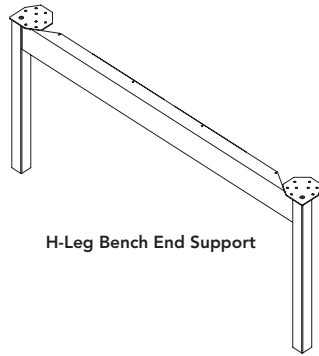
- Supports a beam and two worksurfaces at the end of a run.
- Bench end support cannot be used to make a freestanding table.
- Comprised of the following items, all ordered separately:
  - Non-ported beam
  - Flat top trim
  - Beam end support leg (Qty 2)
  - Bench end connector kit
  - Worksurface mounting bracket (Qty 2)
- Beam and top trim length to be 2X the worksurface depth.
- Beam mounted modesty may be used on bench end beam.
- Power cannot be routed from parent run into bench end support beam.



Beam and Beam End Leg End Support



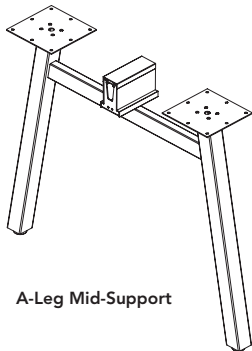
A-Leg - Bench End Support



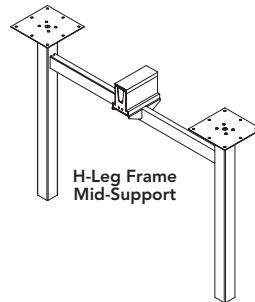
H-Leg Bench End Support

### Bench End Support (Square leg page 88)

- Used in dual sided applications only.
- Supports a beam and two worksurfaces at the end of a run.
- Available in two styles: A-Leg and H-Leg.
- Power infeed accessible; infeed covers ordered separately.
- Bench end support cannot be used to make a freestanding table.
- Works with 24" and 27" deep worksurfaces.
- Beam mounted modesty cannot be used on bench end supports.
- Features "square" leg profile.



A-Leg Mid-Support



H-Leg Frame Mid-Support

### Mid-Support (page 88)

- Used in dual sided applications only.
- Available in two styles: A-Leg and H-Leg.
- Power infeed accessible; infeed covers ordered separately.
- Includes flat trim; may be used to span a screen over the trim.
- Features "square" leg profile.
- Not compatible with Chicago or NYC J-boxes.

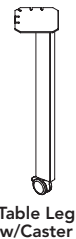
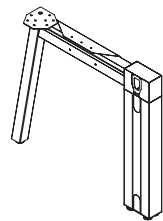


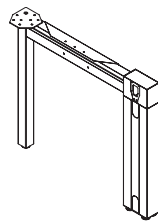
Table Leg w/Caster

### Table Leg with Caster (page 87)

- Support worksurfaces in freestanding table applications.
- Unsupported spans over 60" require external support channel.
- Tables 78"W or greater require 2 additional legs in the center of the table (6 legs total) to resist bowing.
- Can be used with surfaces from other product lines, but pilot hole locations will not be available for installation or reconfiguration.



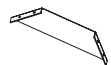
A-Leg, Single Sided End Support



H-Leg, Single Sided End Support

### Single Sided End Supports (page 88)

- Used in single sided applications, end of run.
- Available in two styles: A-Leg and H-Leg.
- Comes in Left and Right Hand configurations.
- Works with 24" and 27" deep worksurfaces.
- Infeed accessible.
- Bench end supports cannot be used to make a freestanding table.
- Features "square" leg profile.



Gusset Bracket

### Gusset Bracket (page 87)

- Must be used in single sided applications to provide stability to In-Line leg or Hubs.
- Specify one bracket per support.

## Worksurface Brackets Required for Attaching to Beams (Additional Supports Required)

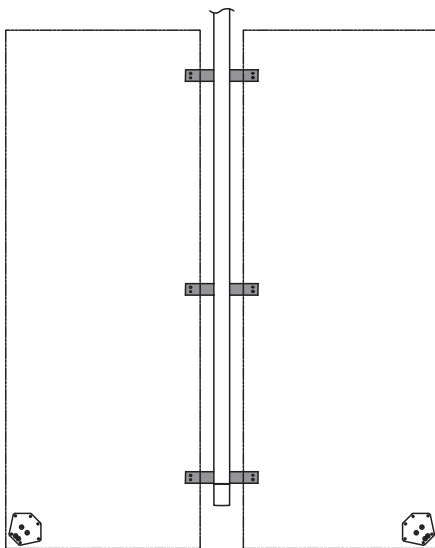


WORKSURFACE SHAPE:	QTY OF WORKSURFACE SUPPORT BRACKETS (Model U6WBTF)			
	1	2	3	4
Rectangular* Perpendicular		21"W-60"W**	Wider than 60"	
Trapezoid**			28"W-58"W	Wider than 58"
Runoff***	15"W-39"W	Wider than 39"		
120°				46"W-52"W
Corner Cove (supported on one side)		60"W	Wider than 60"	

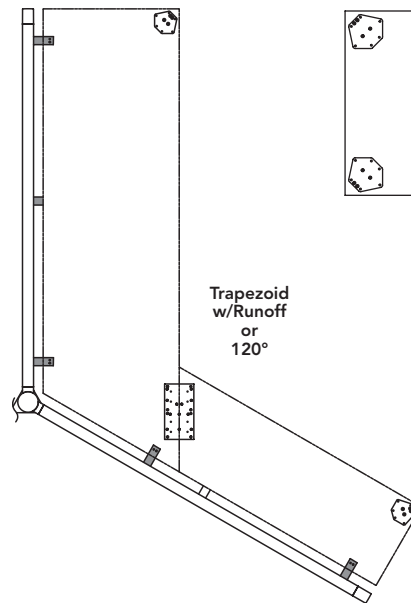
\*Rectangular ends in return applications require an additional bracket.  
 \*\*Dimensions are taken from the short width side of surface.  
 \*\*\*Runoff worksurface dimension is taken from short side of worksurface.

## Worksurface Support Bracket (pages 78 or 87)

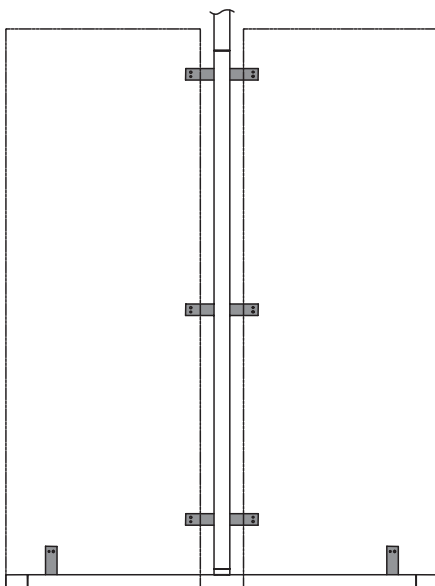
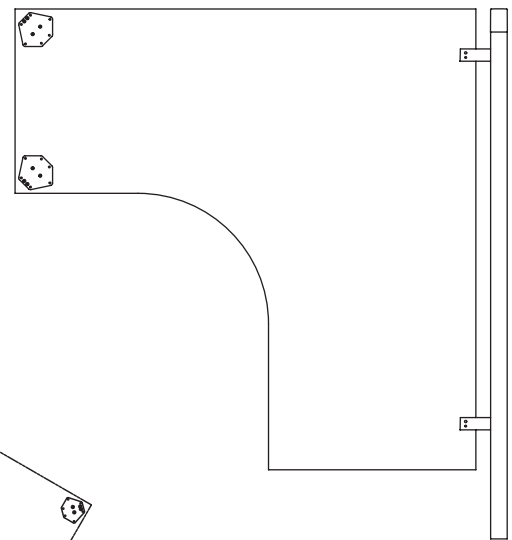
- Used to tether worksurfaces to the beam structure. All worksurfaces come with pilot holes for standard bracket locations along the back edge of worksurface.
- Brackets mount into the continuous reveal on each side of the beam.
- Worksurfaces cannot overhang worksurface support bracket by more than 12".
- Perpendicular worksurfaces require two worksurface support brackets no more than 6" from each edge.
- Quantity of brackets required varies by shape and size of worksurface – see chart and images to left.
- At least two brackets are required per worksurface. Support storage may replace one bracket on worksurfaces requiring three or more.



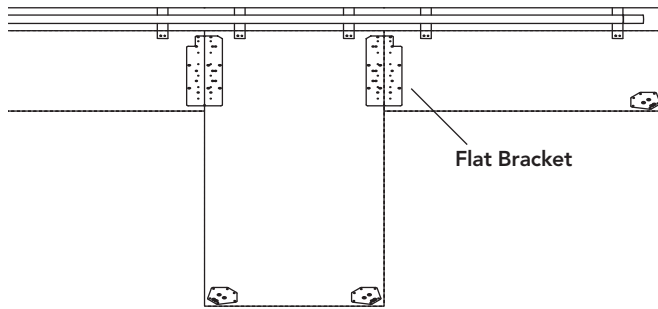
Rectangular with System Legs



Trapezoid w/Runoff or 120°



Rectangular with Bench End



A **Flat Bracket** is required between the two surfaces when one worksurface is parallel to the beam and another is perpendicular.

### Flat Bracket (page 87)

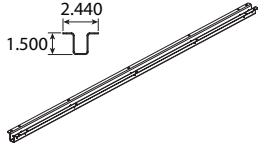
- Used to tether two worksurfaces together when floor support is not necessary.
- Required when one worksurface is parallel to the beam and another is perpendicular.
- Required between Trapezoid worksurfaces and runoffs.
- 12" bracket used for 15" and 18" deep runoff surfaces.
- 24" bracket used for 21" and 24" deep worksurfaces.
- 30" bracket used for 27" worksurface.

For specification information see pages 61-77.

Laminate

GSA SIN 33721

U6WBTF



Description	Model	List Price
<b>Worksurface Support Brackets</b>		
Worksurface Support Bracket — Tethered fixed height	U6WBTF <span style="border: 1px solid black; padding: 0 2px;">S</span>	\$ 85
<b>External Worksurface Support Channel (no color option) — 1½"H</b>		
30"W External Support Channel for 42"W Worksurface	Z5SC42 <span style="border: 1px solid black; padding: 0 2px;">S</span>	\$ 76
36"W External Support Channel for 48"W Worksurface	Z5SC48 <span style="border: 1px solid black; padding: 0 2px;">S</span>	\$ 78
42"W External Support Channel for 54"W Worksurface	Z5SC54 <span style="border: 1px solid black; padding: 0 2px;">S</span>	\$ 90
48"W External Support Channel for 60"W Worksurface or 66" Table	Z5SC60	\$ 97
54"W External Support Channel for 66"W Worksurface or 72" Table	Z5SC66	\$ 113
60"W External Support Channel for 72"W Worksurface or 78" Table	Z5SC72	\$ 122
66"W External Support Channel for 78"W Worksurface	Z5SC78	\$ 133
72"W External Support Channel for 84"W Worksurface	Z5SC84	\$ 146

FURTHER

<p><b>How to specify —</b> Select the Model Number from above.</p> <div style="border-bottom: 1px solid black; height: 20px; width: 100%;"></div>	<p><i>1st Option:</i> <b>Paint</b> (if applicable):</p> <div style="border-bottom: 1px solid black; height: 20px; width: 100%;"></div>
---	--

Examples: U6WBTF.P02 U6WBTF.P7G Z5SC60

S Shippable by small-package carrier.

# Worksurfaces

Further™ — Rectangular

For specification information see pages 61-77.

Laminate

GSA SIN 33721

Description	Laminate w/Flat Edge Model	Beam Size	Laminate w/Flat Edge		
			L1	L2	L3
<b>21" D Rectangular Worksurfaces</b>					
U5F2160S	U5F2130S	24" W	\$ 418	\$ 435	\$ 449
	U5F2136S	30" W	\$ 471	\$ 490	\$ 505
	U5F2142S	36" W	\$ 523	\$ 543	\$ 560
	U5F2148S	42" W	\$ 567	\$ 590	\$ 607
	U5F2154S	48" W	\$ 612	\$ 636	\$ 654
	U5F2160S	54" W	\$ 664	\$ 690	\$ 709
	U5F2166S	60" W	\$ 735	\$ 763	\$ 784
	U5F2172S	66" W	\$ 802	\$ 832	\$ 856
	U5F2178S	72" W	\$ 1026	\$ 1062	\$ 1094
	U5F2184S	78" W	\$ 1069	\$ 1106	\$ 1141
	U5F2190S	84" W	\$ 1264	\$ 1307	\$ 1349
	U5F2196S	90" W	\$ 1316	\$ 1361	\$ 1405
<b>24" D Rectangular Worksurfaces (27" to center of beam)</b>					
U5F2466S	U5F2430S	24" Beam	\$ 460	\$ 479	\$ 493
	U5F2436S	30" Beam	\$ 502	\$ 522	\$ 538
	U5F2442S	36" Beam	\$ 549	\$ 571	\$ 587
	U5F2448S	42" Beam	\$ 586	\$ 609	\$ 627
	U5F2454S	48" Beam	\$ 644	\$ 669	\$ 688
	U5F2460S	54" Beam	\$ 710	\$ 737	\$ 758
	U5F2466S	60" Beam	\$ 777	\$ 806	\$ 829
	U5F2472S	66" Beam	\$ 844	\$ 875	\$ 901
	U5F2478S	72" Beam	\$ 1087	\$ 1125	\$ 1162
	U5F2484S	76" Beam	\$ 1136	\$ 1175	\$ 1214
	U5F2490S	84" Beam	\$ 1346	\$ 1392	\$ 1437
	U5F2496S	90" Beam	\$ 1398	\$ 1445	\$ 1493
<b>27" D Rectangular Worksurfaces</b>					
U5F2760S	U5F2730S	24" W	\$ 502	\$ 522	\$ 538
	U5F2736S	30" W	\$ 539	\$ 561	\$ 577
	U5F2742S	36" W	\$ 572	\$ 595	\$ 612
	U5F2748S	42" W	\$ 610	\$ 634	\$ 652
	U5F2754S	48" W	\$ 681	\$ 707	\$ 727
	U5F2760S	54" W	\$ 757	\$ 785	\$ 808
	U5F2766S	60" W	\$ 821	\$ 851	\$ 876
	U5F2772S	66" W	\$ 889	\$ 921	\$ 949
	U5F2778S	72" W	\$ 1152	\$ 1192	\$ 1231
	U5F2784S	78" W	\$ 1206	\$ 1248	\$ 1288
	U5F2790S	84" W	\$ 1432	\$ 1480	\$ 1530
	U5F2796S	90" W	\$ 1493	\$ 1543	\$ 1595

<p><b>How to specify —</b> Select the Model Number from above.</p>	<p><i>1st Option:</i> Laminate (if applicable):</p>	<p><i>2nd Option:</i> Edge (if applicable):</p>
<p>U   5   F                 S   .                 .        </p>		

Examples: U5F2130S.LM11.EV U5F2730S.LWBR.DB Z5SC60.P02

 Shippable by small-package carrier.











# Worksurface Supports

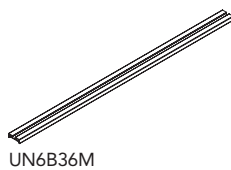
Further™ — Beam Trim

For specification information see pages 61-77.

Painted Metal  
GSA SIN 33721



Description	Model	List Price		
		P1	P2	P3
<b>Beam Trim — Flat</b>				
6" Cantilevered Beams Only	UN6B06F <input type="checkbox"/>	\$ 98	\$ 105	\$ 108
9" Cantilevered Beams Only	UN6B09F <input type="checkbox"/>	\$ 108	\$ 117	\$ 125
12" Cantilevered Beams Only	UN6B12F <input type="checkbox"/>	\$ 111	\$ 120	\$ 128
18"	UN6B18F <input type="checkbox"/>	\$ 134	\$ 143	\$ 151
21"	UN6B21F <input type="checkbox"/>	\$ 141	\$ 150	\$ 158
24"	UN6B24F <input type="checkbox"/>	\$ 142	\$ 151	\$ 159
30"	UN6B30F <input type="checkbox"/>	\$ 149	\$ 158	\$ 166
36"	UN6B36F <input type="checkbox"/>	\$ 160	\$ 171	\$ 180
42"	UN6B42F <input type="checkbox"/>	\$ 171	\$ 182	\$ 191
48"	UN6B48F <input type="checkbox"/>	\$ 177	\$ 190	\$ 203
54"	UN6B54F <input type="checkbox"/>	\$ 185	\$ 198	\$ 211
60"	UN6B60F <input type="checkbox"/>	\$ 192	\$ 207	\$ 223
66"	UN6B66F <input type="checkbox"/>	\$ 323	\$ 338	\$ 354
72"	UN6B72F <input type="checkbox"/>	\$ 342	\$ 359	\$ 378
78"	UN6B78F <input type="checkbox"/>	\$ 385	\$ 402	\$ 421
84"	UN6B84F <input type="checkbox"/>	\$ 393	\$ 412	\$ 435
90"	UN6B90F <input type="checkbox"/>	\$ 401	\$ 420	\$ 443
96"	UN6B96F <input type="checkbox"/>	\$ 407	\$ 429	\$ 454



Description	Model	List Price		
		P1	P2	P3
<b>Beam Trim for Mounting Screens or Storage</b>				
6" Cantilevered Beams Only	UN6B06M <input type="checkbox"/>	\$ 133	\$ 140	\$ 143
9" Cantilevered Beams Only	UN6B09M <input type="checkbox"/>	\$ 138	\$ 147	\$ 155
12" Cantilevered Beams Only	UN6B12M <input type="checkbox"/>	\$ 144	\$ 153	\$ 161
18"	UN6B18M <input type="checkbox"/>	\$ 176	\$ 185	\$ 193
21"	UN6B21M <input type="checkbox"/>	\$ 178	\$ 187	\$ 195
24"	UN6B24M <input type="checkbox"/>	\$ 182	\$ 191	\$ 199
30"	UN6B30M <input type="checkbox"/>	\$ 188	\$ 197	\$ 205
36"	UN6B36M <input type="checkbox"/>	\$ 207	\$ 218	\$ 227
42"	UN6B42M <input type="checkbox"/>	\$ 218	\$ 229	\$ 238
48"	UN6B48M <input type="checkbox"/>	\$ 228	\$ 241	\$ 254
54"	UN6B54M <input type="checkbox"/>	\$ 235	\$ 248	\$ 261
60"	UN6B60M <input type="checkbox"/>	\$ 241	\$ 256	\$ 272
66"	UN6B66M <input type="checkbox"/>	\$ 386	\$ 401	\$ 417
72"	UN6B72M <input type="checkbox"/>	\$ 431	\$ 448	\$ 467
78"	UN6B78M <input type="checkbox"/>	\$ 463	\$ 480	\$ 499
84"	UN6B84M <input type="checkbox"/>	\$ 471	\$ 490	\$ 513
90"	UN6B90M <input type="checkbox"/>	\$ 481	\$ 500	\$ 523
96"	UN6B96M <input type="checkbox"/>	\$ 490	\$ 512	\$ 537

FURTHER

**How to specify —**  
Select the Model Number from above.

*1st Option:*  
**Paint**  
(if applicable):  
 P1  P2  P3

\_\_\_\_\_ . \_\_\_\_\_

\_\_\_\_\_

Examples: UN6B06F.P02 UN6B06M.P7B

Shippable by small-package carrier.





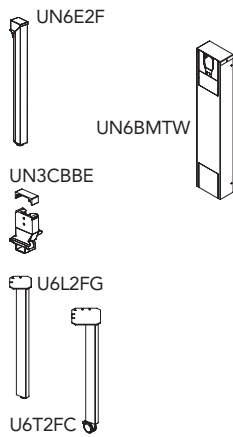
# Worksurface Supports

Further™ — Legs and Supports

For specification information see pages 61-77.

Painted Metal  
GSA SIN 33721

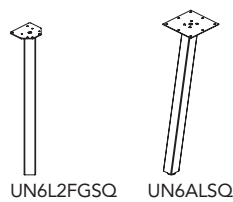
## FLEXIBLE LEGS



Description	Model	List Price		
		P1	P2	P3
<b>Beam Legs (Triangular) — Seated Height</b>				
Beam End Support Leg — Adds 3" to run	UN6E2F <span style="border: 1px solid black; padding: 0 2px;">S</span>	\$ 442	\$ 459	\$ 473
Beam Wall Mount — attaches beam run to wall (requires stud)	UN6BMTW <span style="border: 1px solid black; padding: 0 2px;">S</span>	\$ 507	\$ 527	\$ 549
Bench End Beam Connector Kit	UN3CBBE	\$ 141	\$ 149	\$ 154

### Worksurface and Table Legs — Seated Height

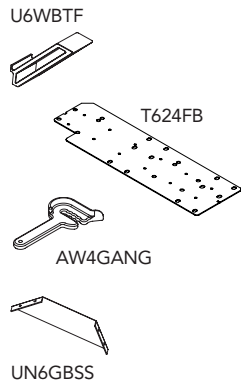
Triangular Worksurface and Table Support Leg w/Glide	U6L2FG <span style="border: 1px solid black; padding: 0 2px;">S</span>	\$ 325	\$ 342	\$ 356
Triangular Table Support Leg w/Caster	U6T2FC <span style="border: 1px solid black; padding: 0 2px;">S</span>	\$ 353	\$ 370	\$ 384



### Worksurface Legs (Square) — Seated Height

Square Straight Leg Worksurfaces Support w/ Glide	UN6L2FGSQ	\$ 232	\$ 249	\$ 273
Square A-Leg Worksurface Support w/ Glide	UN6ALSQ	\$ 244	\$ 261	\$ 285

## BRACKETS



Description	Model	List Price		
		P1	P2	P3
<b>Brackets</b>				
Worksurface Support Bracket — Tethered fixed height	U6WBTF <span style="border: 1px solid black; padding: 0 2px;">S</span>	\$ 85	\$ 88	\$ 91
Flat Bracket for 12"D (no color option)	T612FB <span style="border: 1px solid black; padding: 0 2px;">S</span>	\$ 61	N/A	N/A
Flat Bracket for 24"D (no color option)	T624FB <span style="border: 1px solid black; padding: 0 2px;">S</span>	\$ 70	N/A	N/A
Flat Bracket for 30"D (no color option)	T630FB <span style="border: 1px solid black; padding: 0 2px;">S</span>	\$ 80	N/A	N/A
2 Ganging Bracket Links with Screws (no color option)	AW4GANG <span style="border: 1px solid black; padding: 0 2px;">S</span>	\$ 89	N/A	N/A
Gusset Bracket for Single Sided Applications	UN6GBSS	\$ 133	\$ 138	\$ 143

**How to specify —**  
Select the  
Model Number  
from above.

**1st Option:**  
**Paint**  
(if applicable):  
P1 P2 P3

Examples: UN6E2F.P02 UN6BMTW.P7B T612FB

S Shippable by small-package carrier.

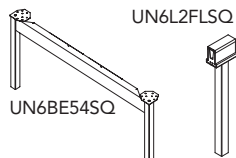
# Worksurface Supports

Further™ — Legs and Supports

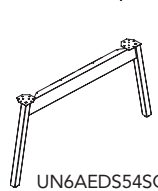
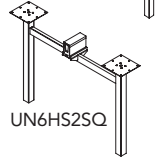
For specification information see pages 61-77.

Painted Metal  
GSA SIN 33721

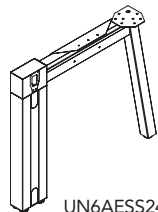
## FIXED LEGS



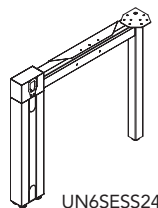
UN6L2FLSQ



UN6AEDS54SQ



UN6AESS24RH



UN6SESS24RH

Description	Model	List Price		
		P1	P2	P3
<b>Beam Supports (Square) — Seated Height</b>				
54" W H-Leg - Bench End Support (for 2-24" W) — Adds 3" to run	UN6BE54SQ	\$ 958	\$ 1025	\$ 1125
60" W H-Leg - Bench End Support (for 2-27" W) — Adds 3" to run	UN6BE60SQ	\$ 975	\$ 1043	\$ 1145
In-Line Beam Support Leg with Flat Top Trim — Adds 6" to run	UN6L2FLSQ	\$ 368	\$ 395	\$ 436
H-Leg Mid-Support with Flat Top Trim	UN6HS2SQ	\$ 817	\$ 873	\$ 960

## Beam Supports (Square) — Seated Height

A-Leg Mid-Support with Flat Top Trim	UN6AMDS2SQ	\$ 858	\$ 914	\$ 1001
54" W A-Leg Bench End Support (for 2-24" W) - Adds 3" to run	UN6AEDS54SQ (shown)	\$ 1005	\$ 1072	\$ 1172
60" W A-Leg Bench End Support (for 2-30" W) - Adds 3" to run	UN6AEDS60SQ	\$ 1025	\$ 1093	\$ 1195
A-Leg Single Sided End Support, 24" D, Right Hand	UN6AESS24RH (shown)	\$ 1033	\$ 1072	\$ 1112
A-Leg Single Sided End Support, 24" D, Left Hand	UN6AESS24LH	\$ 1033	\$ 1072	\$ 1112
A-Leg Single Sided End Support, 30" D, Right Hand	UN6AESS27RH	\$ 1068	\$ 1109	\$ 1150
A-Leg Single Sided End Support, 30" D, Left Hand	UN6AESS27LH	\$ 1068	\$ 1109	\$ 1150
H-Leg Single Sided End Support, 24" D, Right Hand	UN6SESS24RH (shown)	\$ 1003	\$ 1041	\$ 1080
H-Leg Single Sided End Support, 24" D, Left Hand	UN6SESS24LH	\$ 1003	\$ 1041	\$ 1080
H-Leg Single Sided End Support, 30" D, Right Hand	UN6SESS27RH	\$ 1035	\$ 1075	\$ 1114
H-Leg Single Sided End Support, 30" D, Left Hand	UN6SESS27LH	\$ 1035	\$ 1075	\$ 1114

FURTHER

**How to specify —**  
Select the Model Number from above.

**1st Option:**  
**Paint**  
(if applicable):

**P1 P2 P3**

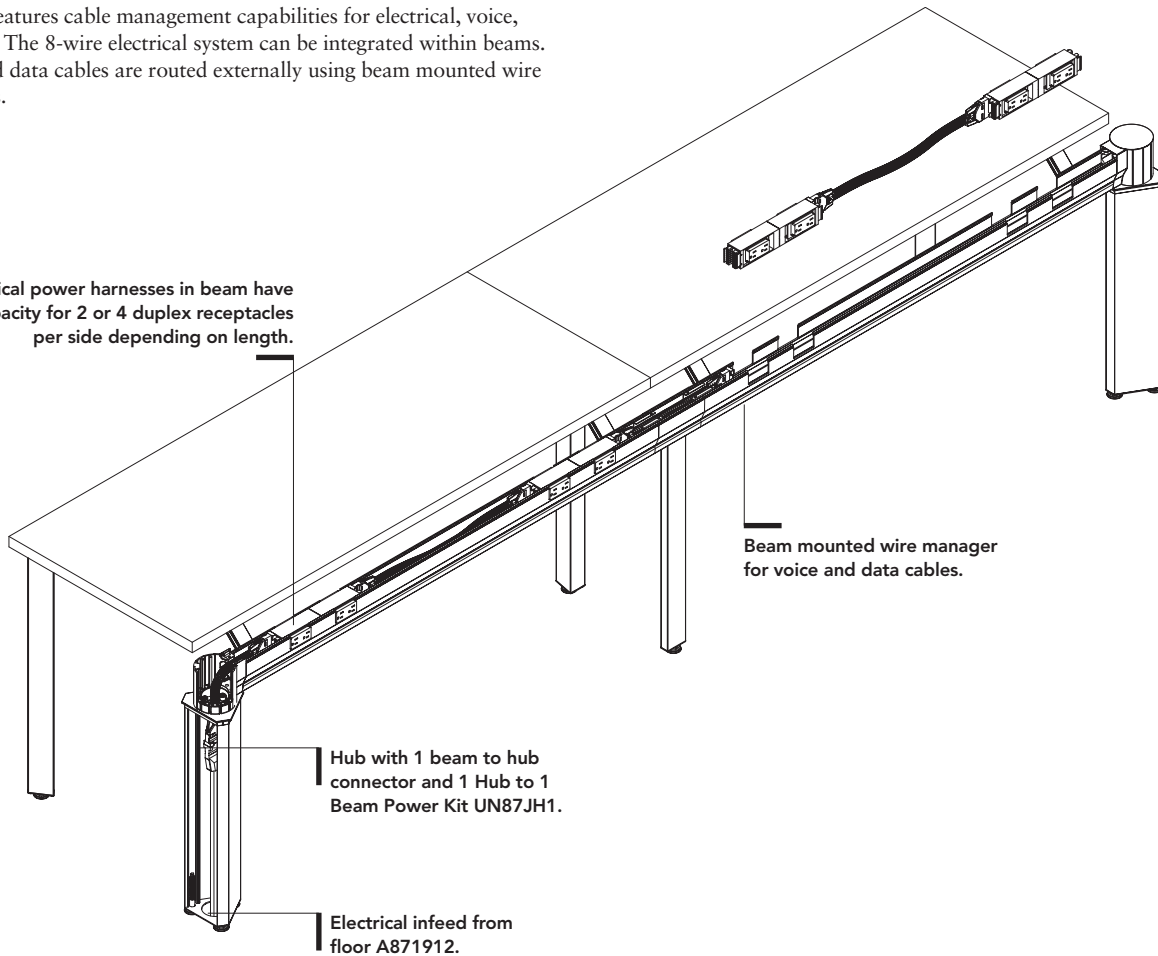
Example: UN6BE54SQ.P7B

**S** Shippable by small-package carrier.



Further features cable management capabilities for electrical, voice, and data. The 8-wire electrical system can be integrated within beams. Voice and data cables are routed externally using beam mounted wire managers.

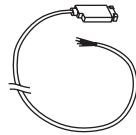
Electrical power harnesses in beam have capacity for 2 or 4 duplex receptacles per side depending on length.



## Further Electrical Systems

The electrical system for Further offers two options: 3+1 or 2+2. Both systems utilize an 8-wire, four-circuit electrical system, rated at 20 amps (15 amps Canadian). Connect a maximum of 13 receptacles (12 in Canada, and fewer in certain U.S. locales) to one circuit. Consult your electrician to ensure the planned electrical load is within permissible limits. Follow the steps below to help specify your Further electrical.

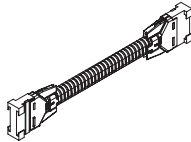
1. **Infeeds** — Determine the location, quantity, and type of power infeeds needed.
2. **Hub-to-Beam Power Kits** — Specify a Hub-to-Beam Power Kit with each Infeed. Order Kit based on the number of beams being powered at the infeed location. Ex: A Flexible Hub in the center of a 120° Pinwheel needs a Hub-to-3 Beam Power Kit. These kits connect to Beam Power Kits.
3. **Beam Power Kits & Jumpers** — Specify a Beam Power Kit for each ported beam. Power kits are determined by the size of beam ordered and are connected to one another with beam-to-beam jumpers - order separately.
4. **Duplex Receptacles** — Determine which electrical system will be used after consulting an electrician: 2+2 or 3+1. System is determined by which circuits are used. Specify circuit specific receptacles to fill all port locations where electrical is needed. Number of ports is determined by the beams and beam power kits specified. Port covers must be placed in port locations where duplex receptacles are not specified.



A871912

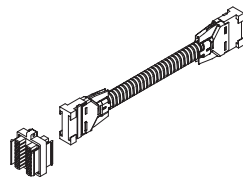
**Electrical Infeed** (page 102)

- Used to route power from a floor, wall, or ceiling core into the Further beam structure.
- Two infeeds can be routed into any hub, power pole, or H-leg. One infeed can be routed into the square leg bench end or wall mount.
- Available as sealtight cable in 12', or as flex cable in 12' or 18' lengths.
- Infeed cables cannot connect directly to beam power kits. Require a hub-to-beam power kit for all infeed locations.
- Consult your electrician to ensure the planned electrical load and cabling is within permissible national and local code limits.
- Infeed ordered separately for all hardwired applications. (see page 102)



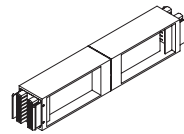
**Beam-to-Beam Jumper** (page 103)

- Used to pass power from one beam to another over beam support.
- Quantity varies on the number of beams being passed to. See illustration.
- Beam-to-beam jumpers do not need to be ordered for locations where hub-to-beam power kits are specified.



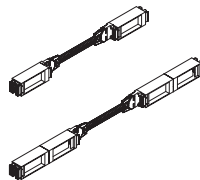
**Hub-to-Beam Power Kits** (page 103)

- Used to connect power from infeed cable to beam power kits.
- Order power kits based on the number of beams being connected to each infeed cable. If two infeed cables are entering the system in the same location, two hub-to-beam power kits should be ordered.
- Power can be routed into 1-4 beams from one infeed.



**Ported Hub Power Kit** (page 103)

- Installed within the ported flexible hub and delivers power to user.
- Requires two duplex receptacles – ordered separately.
- Can be used in conjunction with all hub-to-beam power kits.
- Must order an additional beam-to-beam jumper when placed in a location without an infeed cable.



**Beam Power Kits** (page 103)

- Beam power kits are installed within the ported beam and deliver power to the user.
- Kits correlate to specific ported beam lengths; only one kit per beam.
- Quantity of duplex receptacles that can be used varies by length of beam specified. 36" and 42" ported beams have 2 ports on each side (4 total), 48" - 96" ported beams have 4 ports on each side (8 total). – duplex receptacles ordered separately.

**Receptacle Color Recommended to Coordinate with Paint Color**



Paint Color	Receptacle Color
Carob — P52.....	Black — E4
Champagne Metallic — PR5 .....	Muslin — EU
Cinder — P7Q.....	Brownstone — BW
Designer White — PJW .....	Designer White — DW
Fossil — P28.....	Flint — E9
Gunmetal Metallic— PR3 .....	Brownstone — EY
Parchment — P93.....	Muslin — EU
Pebble — P8R.....	Loft — EV
Pewter — P8D.....	Flint — E9
Platinum Metallic— PR2.....	Silver — ES
Salt — P8C.....	Silver — ES
Titanium — P8T.....	Silver — ES



**Duplex Receptacles** (page 103)

- Receptacles snap into power blocks of power kits.
- Quantity depends on the length of beams specified.
- Four circuits available.
- Circuit 3 must be specified as a utility (3+1) or isolated (2+2) circuit depending on the electrical system desired.
- Available in 8 colors and labeled with circuit number on receptacle face.
- May be replaced with electrical port covers in locations where power is not desired – ordered separately.

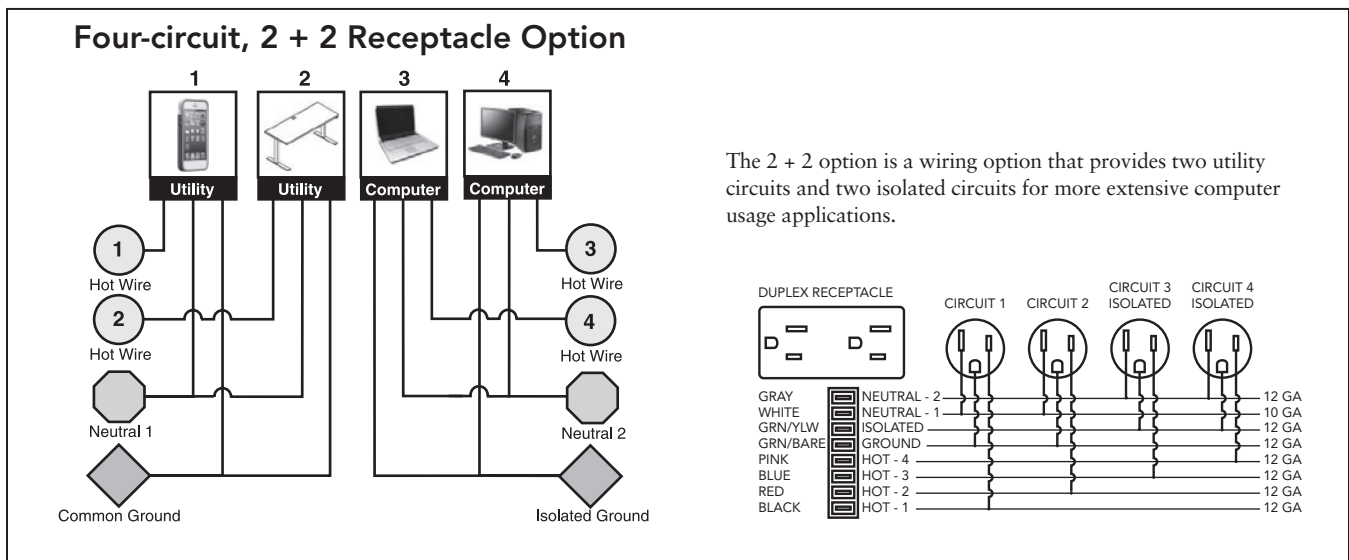
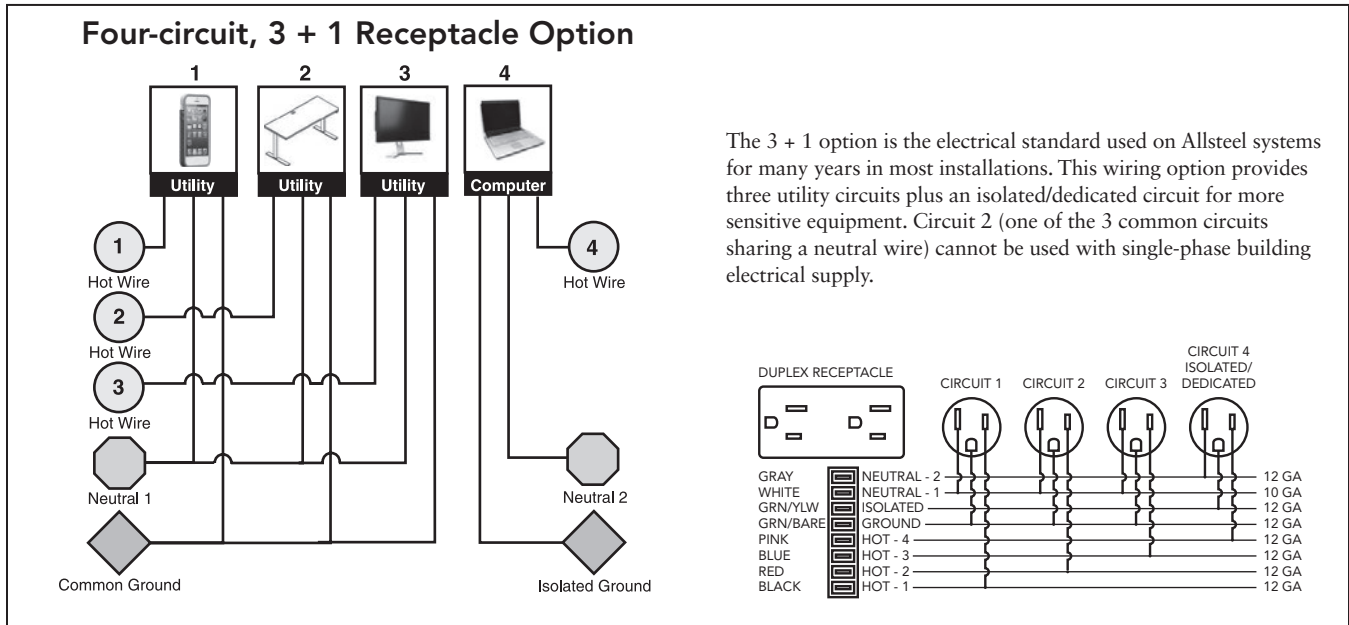
**Electrical Port Cover** (page 103)

- Fits into Further beam port locations in place of duplex receptacles.
- Does not fit into port sizes of other product lines.
- Requires electrical mounting kit UN8EBKCH.
- Chicago Code models available for hardwired applications.

## Flexconnect™ Electrical System Options

The four-circuit, eight-wire electrical system is widely specified and trusted by hundreds of thousands of end-users. This proven system delivers four circuits for every power infeed in either a 3 + 1 or 2 + 2 configuration. The isolated/dedicated circuits are ideal for sensitive computing equipment, while the common circuits are suitable for faxes, copiers, task lights and other peripherals. Both the 3 + 1 and 2 + 2 systems use the same pre-wired components, making it easy to adjust as electrical needs change.

Reference the Office Equipment Typical Load Values on page 92.



FURTHER

### Office Equipment Typical Load Values

Item	*Amps
Desktop/2 Monitors	4
Laptop Computer	1
Laptop/2 Monitors/Docking Station	3
Paper Shredder	1.22
Radio	0.05
Scanner	3
Space Heater (1500 watts)	12
Task Light (equiv. 60-watt bulb)	
Fluorescent	0.12
LED	0.08
USB Charger	0.17
LCD Television (42")	1
LCD Monitor (21")	0.5
Bluetooth Speaker	0.1
Desktop Printer	
Inkjet	0.15
Laser	4 to 10
Multimedia Projector	1.7
Sit-to-Stand Height-Adjustable Desk	Idle 0.01 / Max 4
<b>Office Kitchen</b>	
Coffee Maker	10
Microwave	10
Toaster	12.5
Compact Refrigerator	1.5

\*Chart is recommended for planning purposes. Check device specifications for exact amperage. Consult with your electrician regarding the applicable configurations.

### Examples of Component Usage based on the *Office Equipment Typical Load Values Chart*

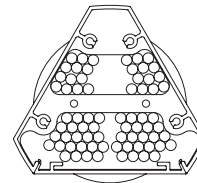
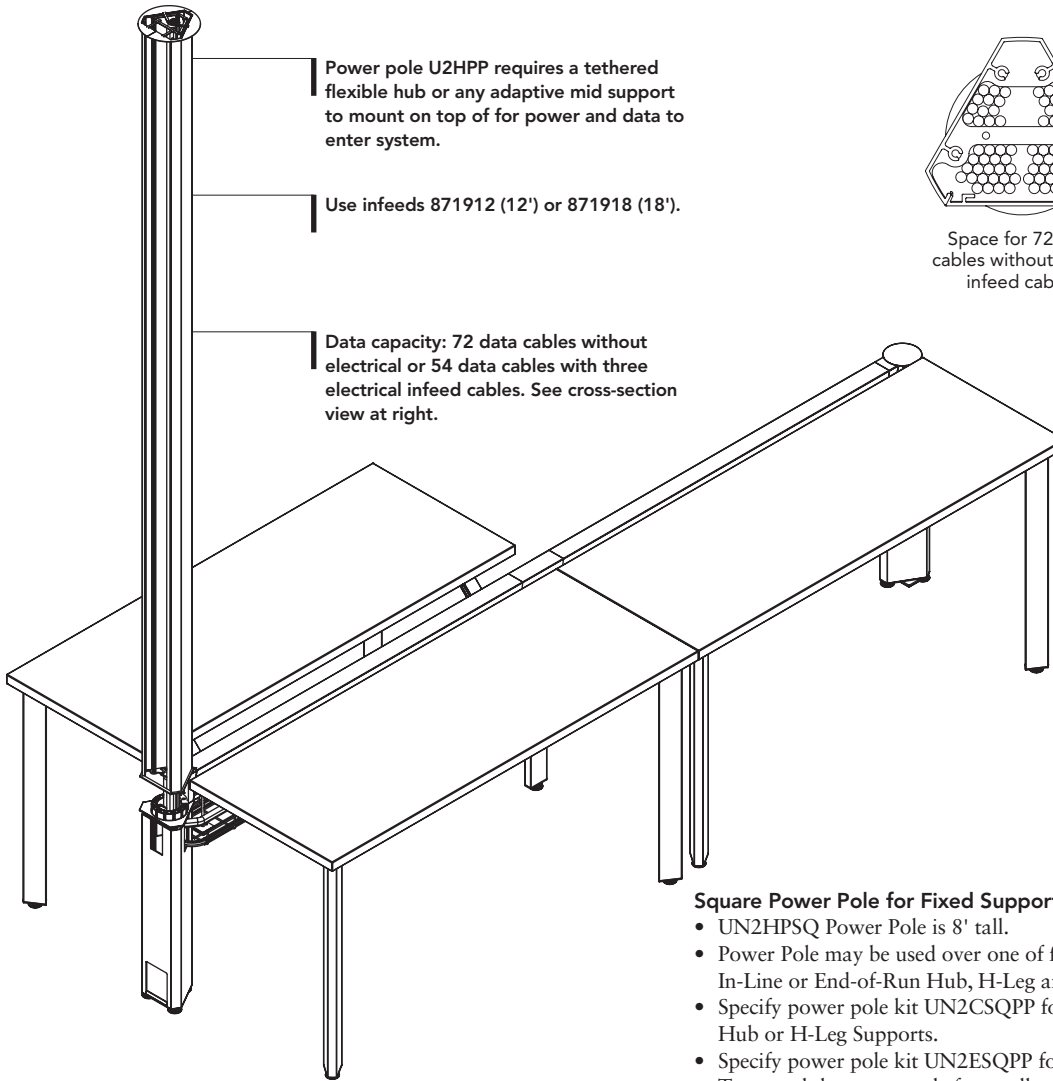
#### Power Option 3+1

Dedicated Circuit 4: 4 desktop computers with 2 monitors each; or 10 laptop computers  
Utility Circuits 1, 2, 3: Height-adjustable tables and ancillary items

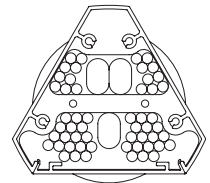
#### Power Option 2+2

Dedicated Circuit 3: 4 desktop computers with 2 monitors each; or 10 laptop computers  
Dedicated Circuit 4: 4 desktop computers with 2 monitors each; or 10 laptop computers  
Utility Circuits 1, 2: Height-adjustable tables and ancillary items

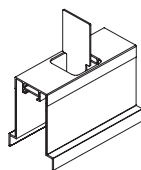
GSA Reference Page  
Model U2HPP



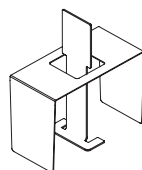
Space for 72 data cables without power infeed cables



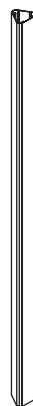
Space for 54 data cables with three power infeed cables



UN2CSQPP



UN2ESQPP



### Square Power Pole for Fixed Supports (page 102)

- UN2HPSQ Power Pole is 8' tall.
- Power Pole may be used over one of fixed supports: In-Line or End-of-Run Hub, H-Leg and In-Line Leg Supports.
- Specify power pole kit UN2CSQPP for In-Line Leg, In-Line Fixed Hub or H-Leg Supports.
- Specify power pole kit UN2ESQPP for End-of-Run Fixed Hub.
- To extend the power pole for a taller ceiling, order quantity-2 with a splicer kit UN2HPSQSK.

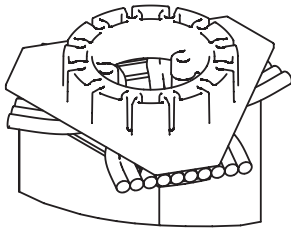
### Power Pole (page 102)

- Used to shroud infeed and data cables that are routed to the beam structure from a ceiling.
- Requires a flexible hub or any adaptive mid support to mount over.
- Cannot be used in freestanding applications.
- Power pole stands 124¼" high with hub glides fully retracted. Extension available through Allsteel Tailored Products.
- Kit includes all necessary mounting hardware and ceiling trim.
- Mounts over 1-4 beams. Aesthetic trim cover included for end condition applications.

### Infeed Cover (page 102)

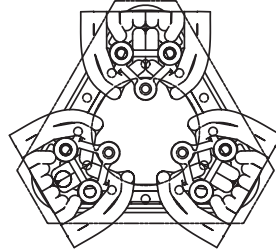
- Shrouds single infeed or up to 24 data cables.
- Specify UN6WC for H-Leg or UN6AWC A-Leg supports.
- Attaches to the legs with VHB tape - included in hardware.
- Not compatible with Chicago or NYC junction boxes. Refer to hubs if needed.

## Top Views of Hub

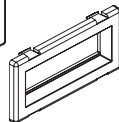
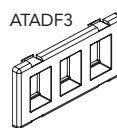
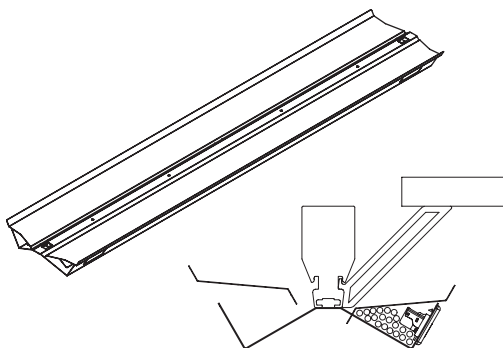
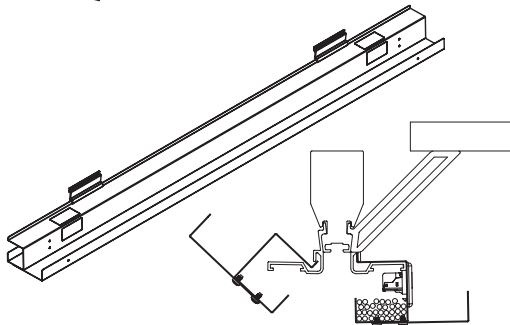
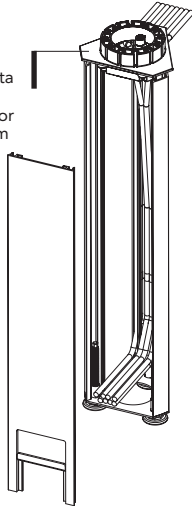


The top of the hub allows for a maximum of 30 (3.45 sq. in.) data cables (.300" dia.) to pass through the ½" gap around the perimeter of the hub

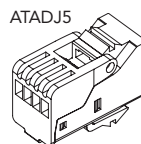
All quantities listed at 60% fill ratio



Cable capacities for routing voice and data cables through hub are provided at left for top, side, and bottom of hub.



ATADF4



## Data (page 104)

- Data is routed internally through any hub, power pole, wall-mount, or infeed cover; but is external to beam.
- Cabling is routed to users through beam-mounted wire managers. See illustrations at left.

## Maximum Support Capacities

Support	Data*	Infeeds	Beams
Standard Flexible Hub	30	3	4
High Capacity Flexible Hub	84	3	4
Power Pole U2HPP	72	3	4
Power Pole UH2HPSQ	34	2	NA
In-Line Fixed Hub	24	1	2
End of Run Fixed Hub	24	1	1
H-Leg**	NA	2	2
Bench End**	NA	1	1
Infeed Cover	24	1	NA

\*Reduce capacity of data cables by 6 for each infeed specified

\*Data cable size is based on 0.25-diameter cable.

\*\*Data capacity is determined by wire managers and infeed cover.

## Single-Sided Wire Manager (page 104)

- Can be used with any single-sided, dual-sided, Further Adaptive, freestanding post and beam, and fixed-height applications.
- Holds user wires and up to 30 system data cables on one side of a beam.
- Mounts into the continuous reveal on either side of a beam – mounting clips included.
- Single-sided version is recommended when nesting storage.
- The data manager without the 2½" D tray can be ordered separately to maximize space, or the tray may be removed in the field.
- Available from 36" to 78" widths in 6" increments.
- Includes mounting locations for Cord Management Chain when used with Adaptive supports or freestanding height-adjustable workstations.
- Specify 6" shorter than beam length when used with Adaptive supports.
- Two single-sided wire managers can be used on either side of beam to increase data capacity. (60 total)
- May be used in conjunction with beam mounted modesty screens.
- Includes 4 knockout port locations for data faceplates (2.7"W x 1.375"H) on all widths. Data faceplates ordered separately.

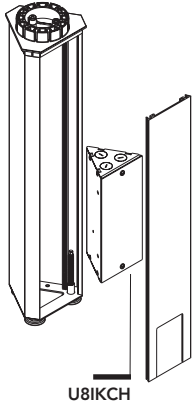
## Dual-Sided Wire Manager (page 104)

- Holds user wires and up to 20 system data cables each side of a beam. (40 total)
- Mounts to underside of beam; does not use continuous side reveal.
- Available from 36" to 78" widths in 6" increments.
- Includes 8 knockout port locations for data faceplates on all widths. Data faceplates ordered separately.
- Ideal for use in a fixed-height dual sided application.
- Does not support wire chain.
- Cannot be used in conjunction with beam mounted modesty screens.

## Data Faceplates & Jacks (page 105)

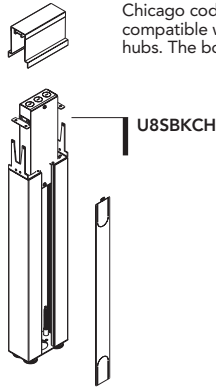
- Faceplates fit into knockout ports on both available wire managers.
- Faceplates do not work in beam electrical ports.
- Faceplate options available to install either 3 or 4 data jacks.
- Faceplates available in one color – black.
- Faceplates and Jacks sold separately.
- CAT 5E and CAT 6 data jacks available.

Chicago code junction box **U8IKCH** is compatible with both 28"H and 20½"H flexible hubs. The box is 9½"H x 3½"W.



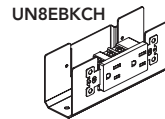
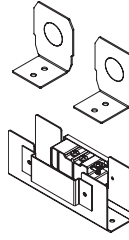
**U8IKCH**

Chicago code junction box **U8SBKCH** is compatible with both 28"H and 20½"H fixed hubs. The box is 11"H x 5.7"W x 2.3"D.



**U8SBKCH**

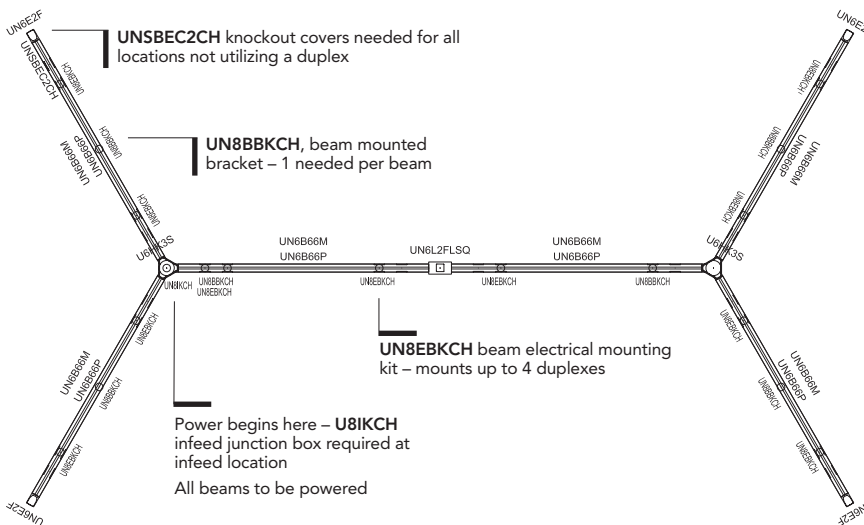
**UN8BBKCH**



**UN8EBKCH**

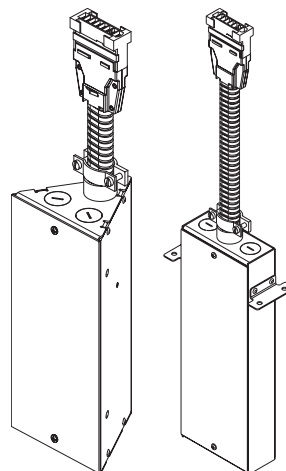
## Hardwire – Chicago Code (page 102)

- Mounting rail top trim required for all hardwired powered beams.
- Cannot wire two receptacles back-to-back. Receptacles must be staggered.
- Junction box **U8IKCH** or **U8SBKCH** are required for all infeed locations.
- A ¾" diameter conduit fitting must be used at the knockout locations on the junction box and brackets to fit within enclosures.
- One beam kit **UN8BBKCH** required per beam. Kit includes two brackets to enclose beam to meet NEC and UL requirements.
- Electrical mounting kit **UN8EBKCH** is required for mounting duplex receptacles and/or electrical port covers. Kit includes two brackets.
- Electrical port covers can be installed in place of a duplex receptacle on the electrical mounting bracket. Cannot be installed without the electrical mounting kit **UN8EBKCH**.
- Ported flexible hubs cannot be used in hardwired applications.
- All wiring, conduit, and receptacles to be supplied by electrician.
- Use **U8IKCH** for flexible hubs and **U8SBKCH** for fixed hubs.

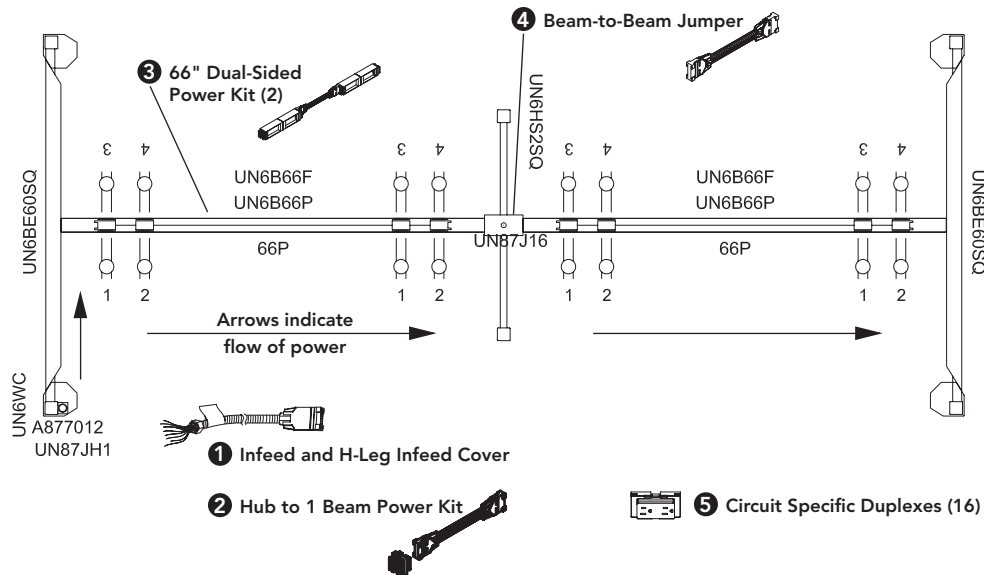
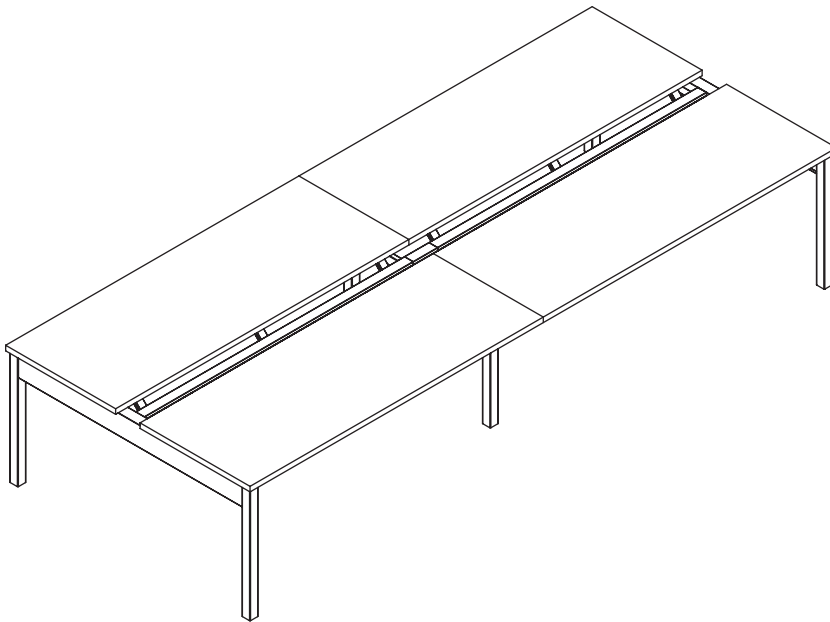


## Hardwire – New York Code (page 102)

- Required for New York electrical.
- For flexible hubs and Further Adaptive, choose one of the 3 configurations:
  - **U8IKNY1** for Hub to 1 Beam
  - **U8IKNY2** for Hub to 2 Beam
  - **U8IKNY3** for Hub to 3 Beam
- For fixed hubs (not for use with Further Adaptive), choose one of the 2 configurations:
  - **U8SBKNY1** for Hub to 1 Beam
  - **U8SBKNY2** for Hub to 2 Beam
- Ported flexible hubs cannot be used in hardwired applications.
- All wiring and conduit to be supplied by electrician.



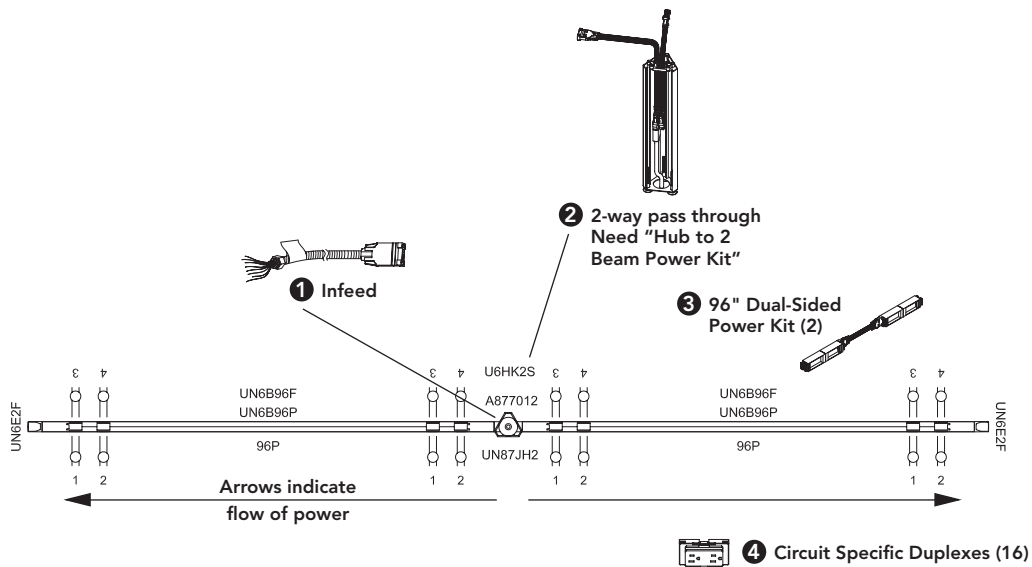
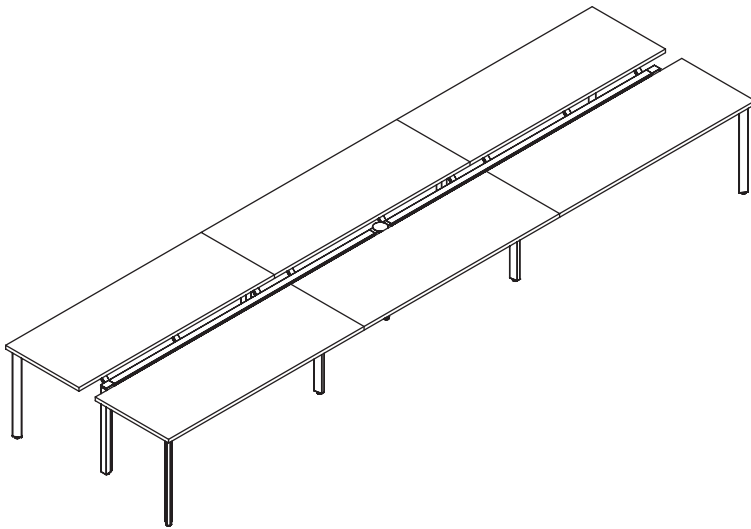
Further Electrical Example 1 — Dual-Sided Bench 4-Pack



FURTHER

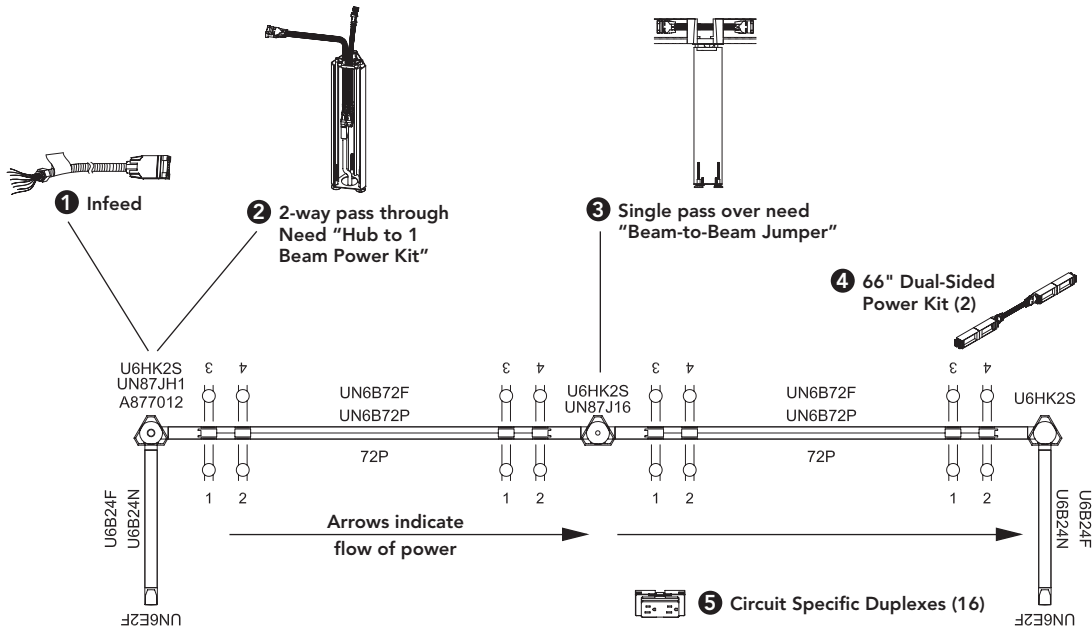
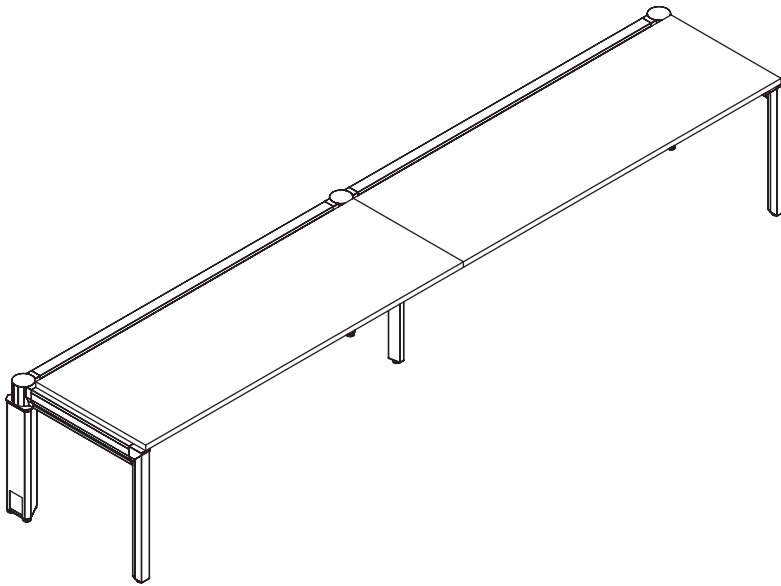


Further Electrical Example 2 — Dual-Sided Bench 6-Pack



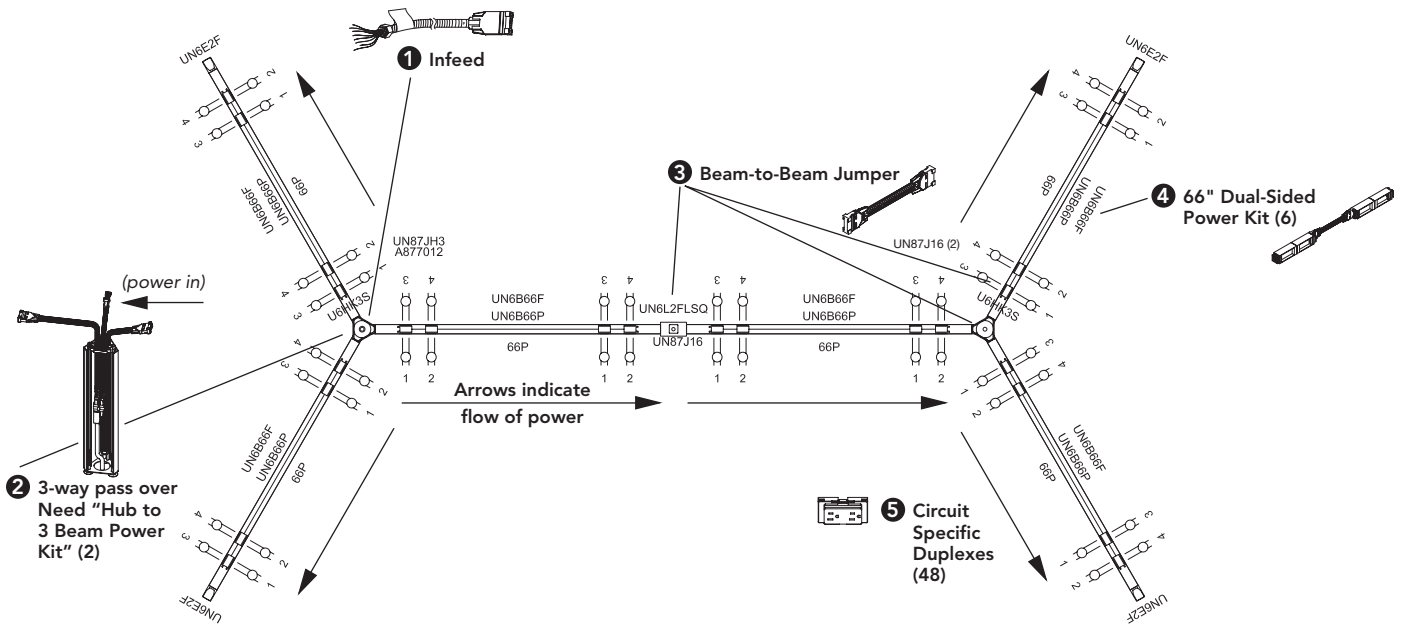
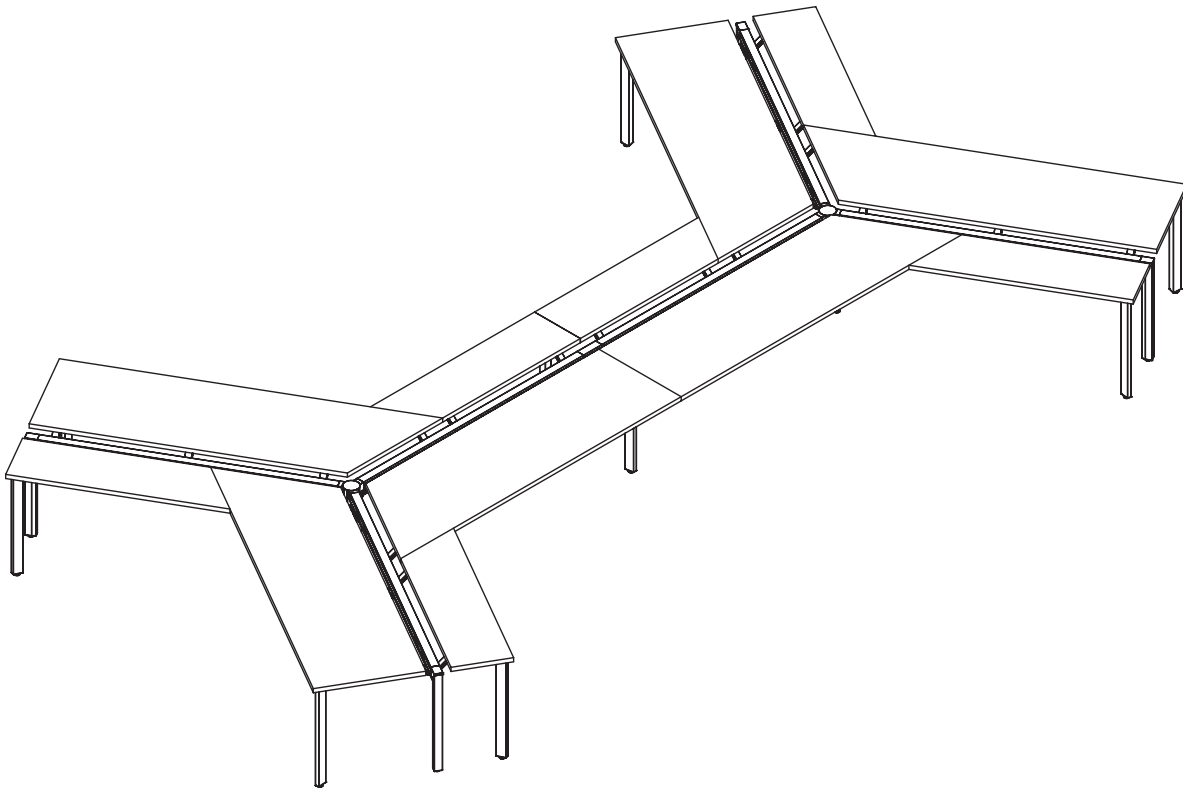
FURTHER

## Further Electrical Example 3— Single-Sided Bench 2-Pack



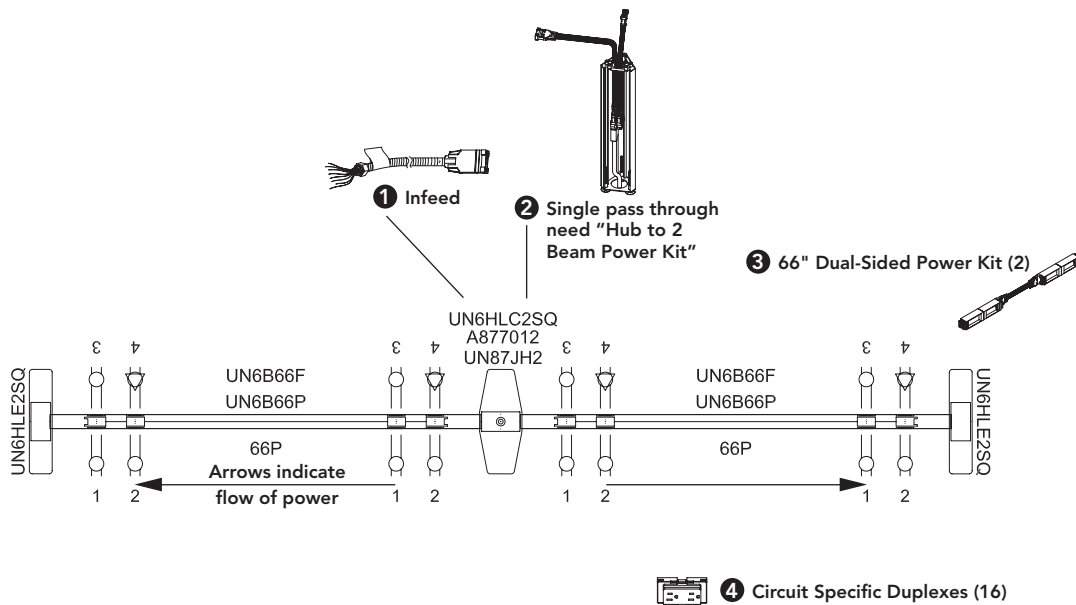
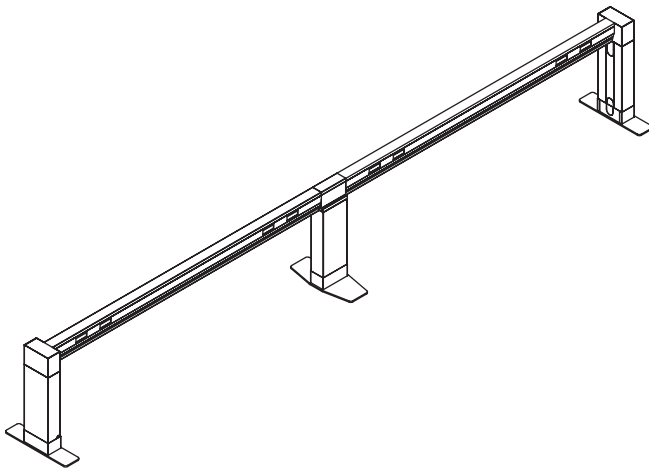


Further Electrical Example 5 — 120° Dogbone



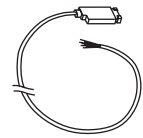
FURTHER

## Further Electrical Example 6 — Freestanding



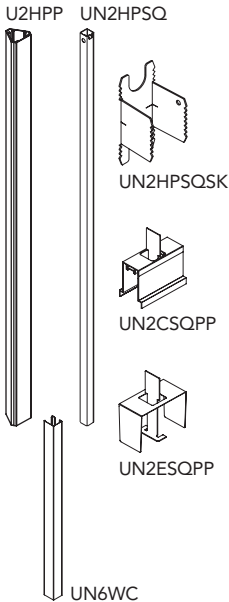
For specification information see pages 89-101.

GSA SIN 33721



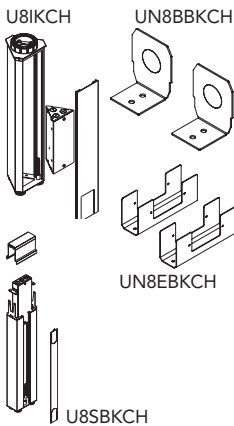
A871912

Description	Four-circuit		List Price
	3 + 1	2 + 2	
<b>Electrical Infeed Cables</b>			
6' Flex Cable	A871972		\$ 294
12' Flex Cable	A871912	[S]	\$ 399
18' Flex Cable	A871918	[S]	\$ 502
12' Sealtight Cable Power Infeed	A877012	[S]	\$ 487



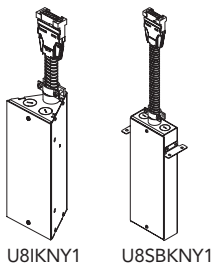
Description	Model	List Price		
		P1	P2	P3
<b>Integrated Power/Communication Poles</b>				
8'H Power/Communication Pole (mounts on top of hub)	U2HPP	\$ 2091	\$ 2143	\$ 2216
10'5"H Power Connector Pole (mounts to side of fixed hub)	A870070	\$ 711	N/A	N/A
8'H Square Power Pole	UN2HPSQ	\$ 1012	\$ 1027	\$ 1039
Square Power Pole Splicer Kit	UN2HPSQSK	\$ 111	\$ 113	\$ 114
Power Pole Kit for In-Line Fixed Hub, and H-Leg	UN2CSQPP	\$ 212	\$ 227	\$ 250
Power Pole Kit for End-of-Run Fixed Hub	UN2ESQPP	\$ 212	\$ 227	\$ 250

<b>Infeed Cover</b>					
Use with H-Leg Supports	UN6WC	[S]	\$ 177	\$ 191	\$ 208
Use with A-Leg Supports	UN6AWC		\$ 177	\$ 191	\$ 208



Description	Chicago Code		List Price
	Model		
<b>Chicago Code Electrical</b>			
Flexible Hub Chicago Box	U8IKCH	[S]	\$ 237
Fixed Hub Chicago Box	U8SBKCH**		\$ 299
Infeed to Beam Bracket	UN8BKCH	[S]	\$ 49
Beam Electrical Mounting Kit (to mount 4 duplexes or covers)	UN8EBKCH	[S]	\$ 111
Beam Electrical Covers — 2 Pack	UNSBEC2CH*	[S]	\$ 57
Beam Electrical Covers — 12 Pack	UNSBEC12CH*	[S]	\$ 208

\*Requires electrical mounting kit UN8EBKCH.  
\*\*GSA SIN Pending



Description	New York Code		List Price
	Model		
<b>New York Code Electrical</b>			
Flexible Hub to 1 Beam Kit	U8IKNY1	[S]	\$ 524
Flexible Hub to 2 Beam Kit	U8IKNY2	[S]	\$ 965
Flexible Hub to 3 Beam Kit	U8IKNY3	[S]	\$ 1144
Fixed Hub to 1 Beam Kit	U8SBKNY1		\$ 664
Fixed Hub to 2 Beam Kit	U8SBKNY2		\$ 864

<p><b>How to specify —</b> Select the Model Number from above.</p> <p>_____ . _____</p>	<p><i>1st Option:</i> <b>Electrical Infeed Color</b> (if applicable): P Black</p> <p><b>P</b></p>	<p><i>1st Option:</i> <b>Paint</b> (if applicable):</p> <p><b>P1 P2 P3</b></p> <p>_____</p>
---	---	---

Examples: A871912.P U2HPP.P7G U8IKCH

[S] Shippable by small-package carrier.

FURTHER

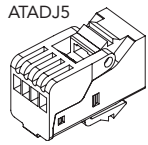
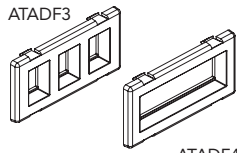






For specification information see pages 89-101.

GSA SIN 33721



Description	Model	List Price
<b>Data Faceplates (will not work in beams)</b>		
Three-Port Flex-Mode Faceplate, Black (E4)	ATADF3 <input type="checkbox"/>	\$ 36
Four-Port Flex-Mode Faceplate, Black (E4)	ATADF4 <input type="checkbox"/>	\$ 36
<b>Notes:</b> ATADF3 can install up to 3 jacks (CAT 3, 5E or 6). ATADF4 can install 4 jacks (CAT 3, 5E or 6).		
<b>Jacks</b>		
RJ45 CAT 5E Jack — Black only Toolless	ATADJ5 <input type="checkbox"/>	\$ 65
RJ45 CAT 6 Jack — Black only Requires Tool	ATADJ6 <input type="checkbox"/>	\$ 87

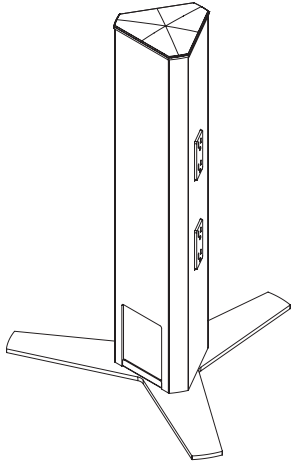
FURTHER

<p><b>How to specify —</b> Select the Model Number from above.</p>	<p><i>1st Option:</i> <b>Data Faceplate Color</b> (if applicable): E4 Black</p>
<p>_____ . <b>E4</b></p>	

Examples: ATADF3.E4 ATADJ5

Shippable by small-package carrier.

A **Collaborative Standalone Hub** provides access to power and data in teaming spaces in areas outside of the primary work area.

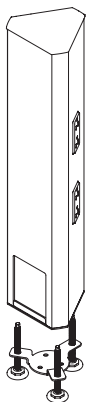
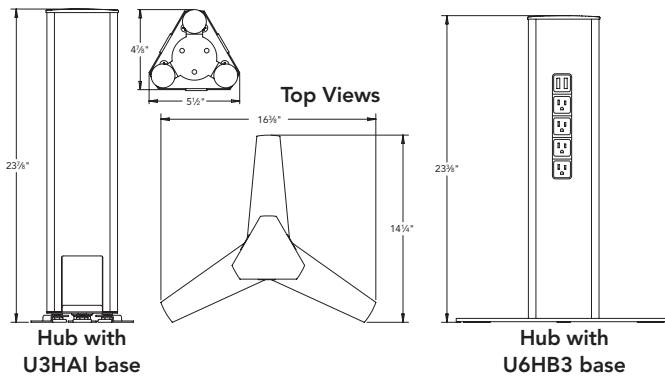


### Collaborative Hub (page 107)

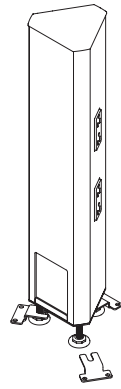
- Provides access to power in teaming spaces outside of the individual workspace.
- Used as a standalone unit, does not support or run power into beams.
- Three feet base kit or floor anchor brackets required – order separately.
- Options available with a standard power cord, whip, or for use with an electrical infeed cable.
- 6' power cord or whip included, infeed cable ordered separate.
- When powered through infeed cable, two duplex receptacles are required – sold separately.

### Collaborative Hub Foot Kit (page 107)

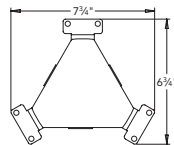
- Attaches to the bottom of a Collaborative Hub.
- Nonleveling hub feet kit required for Collaborative Hub if no floor anchors are specified.



U3HAI Internal



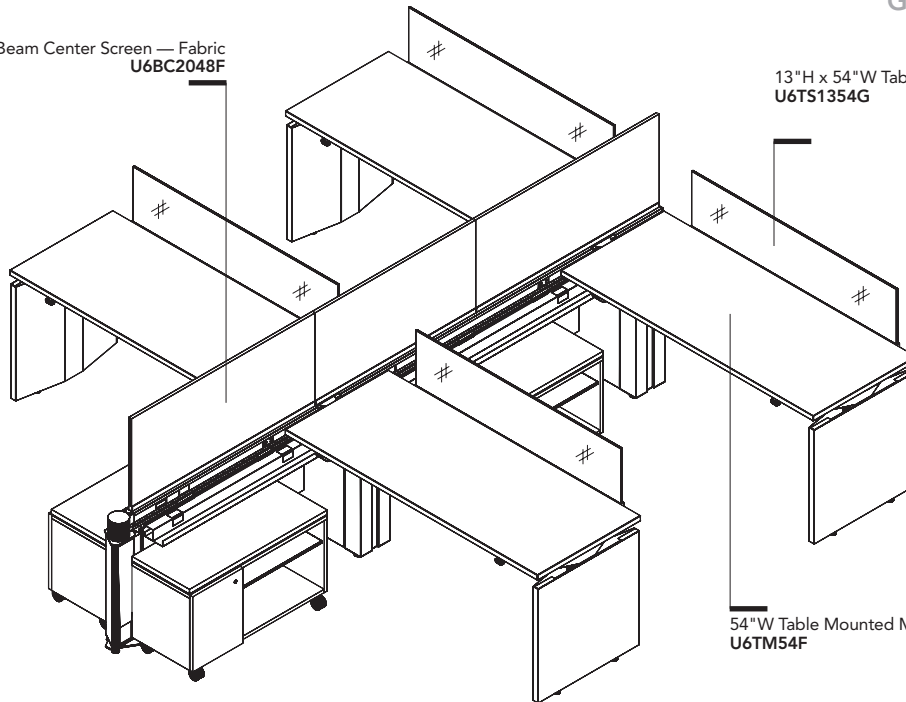
U3HAE External



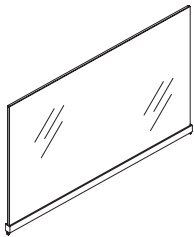


20½"H x 48"W Beam Center Screen — Fabric  
U6BC2048F

13"H x 54"W Table Mounted Screen — Glass  
U6TS1354G



54"W Table Mounted Modesty — Fabric  
U6TM54F



Beam Mounted Screen

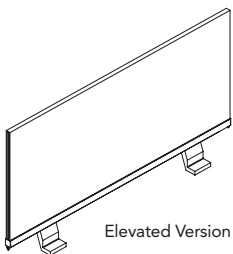


### Beam Mounted Screens (pages 110 and 112)

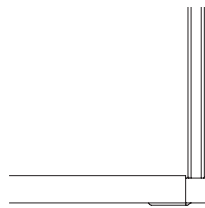
- Attach to the top or bottom of a beam, available in 6" increments at 13"H and 20½"H.
- Options available for tackable fabric up to 60"W, and glass up to 96"W.
- Fabric required when mounting screen to the bottom of a beam.
- Mounting top trim required to use screens on the top of a beam.
- May pass over a hub, h-leg, or in-line support without the use of split top trim.
- Beam mounted storage may be used on the same beam as a screen. Subtract the width of the storage unit from the screen.
- Worksurface mounted modesty screens are possible, but will interfere with cord management.
- Beam mounted modesty panels must be specified 6" shorter than beams when with Further Adaptive.

### Table Mounted Screens (pages 111 and 112)

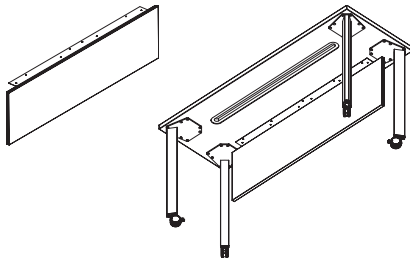
- Attach to the edge of a worksurface, available in 6" increments at 13" and 20½"H from 30" - 60"W.
- Flush-mounted option available in tackable fabric and glass.
- Glass screens only allowed on 27" deep worksurfaces.
- Elevated option available in fabric only.
- Elevated screens provide 1¼" clearance for routing cords and attachment of monitor arms.
- Flush-mounted screens should be specified 12" shorter than width of worksurface when used between Table legs – see example left.



Elevated Version

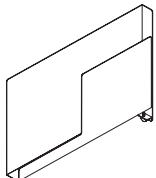


Flush Mount

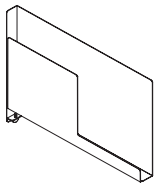


### Table Mounted Modesty (page 111)

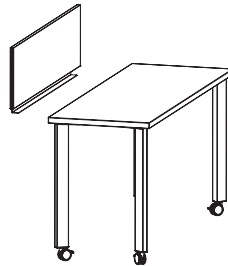
- Attaches to the underside of a worksurface, available in 6" increments at 13"H from 18" - 60"W.
- Specify 13" shorter than width of worksurface when used between Table legs – see example left.
- Must be inset at least 3" from back edge of worksurface if used with table mounted or user movable screens.



U6BL1221ML

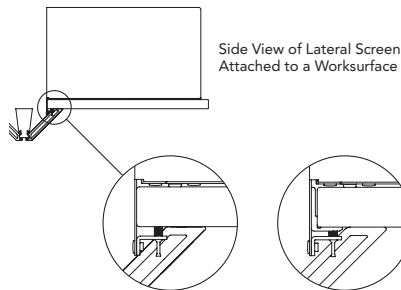


U6BL1221MR



### User Movable Screen (page 113)

- Mounts to the edge of a worksurface and may be transferred to other locations with ease. Available in 6" increments at 13"H from 18" - 60"W.
- Specify 12" shorter than worksurface edge when used between Table legs – see example left.
- Cannot be placed on mid support edge of worksurface when used with Further Adaptive.

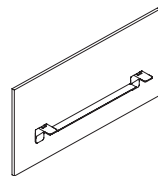


Side View of Lateral Screen Attached to a Worksurface

Close-up of Attachment — Without Accessories Rail and With Accessories Rail

### Lateral Screen (page 113)

- Clamps to back edge of worksurface at 12"H.
- 20" or 26"D models available. Screen is designed to sit back from front edge of worksurface.
- Space for folders is 1½" and holds approximately 340 sheets of paper.
- Folder storage is one-sided – LH and RH options available.
- Cannot be located right above run off support beams on Adaptive worksurfaces.



K6DFI2548L

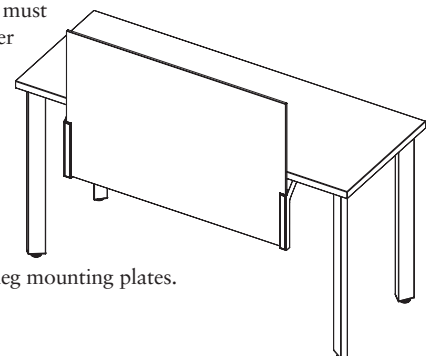
### Using Involve® Model Screens with Further

#### Involve Models w/Beam Mounted Surfaces (Storage price list)

- Glass models — width must be at least 12" narrower than worksurface width to allow for clearance of leg mounting plates.
- Laminate models — width must be equal to, or less than worksurface width.

#### Involve Models w/Freestanding Tables (Storage price list)

- Only allowed on 27" or deeper worksurfaces.
- Glass models — width must be at least 18" narrower than worksurface width to allow for clearance of leg mounting plates.
- Laminate models — width must be at least 6" narrower than worksurface width to allow for clearance of leg mounting plates.



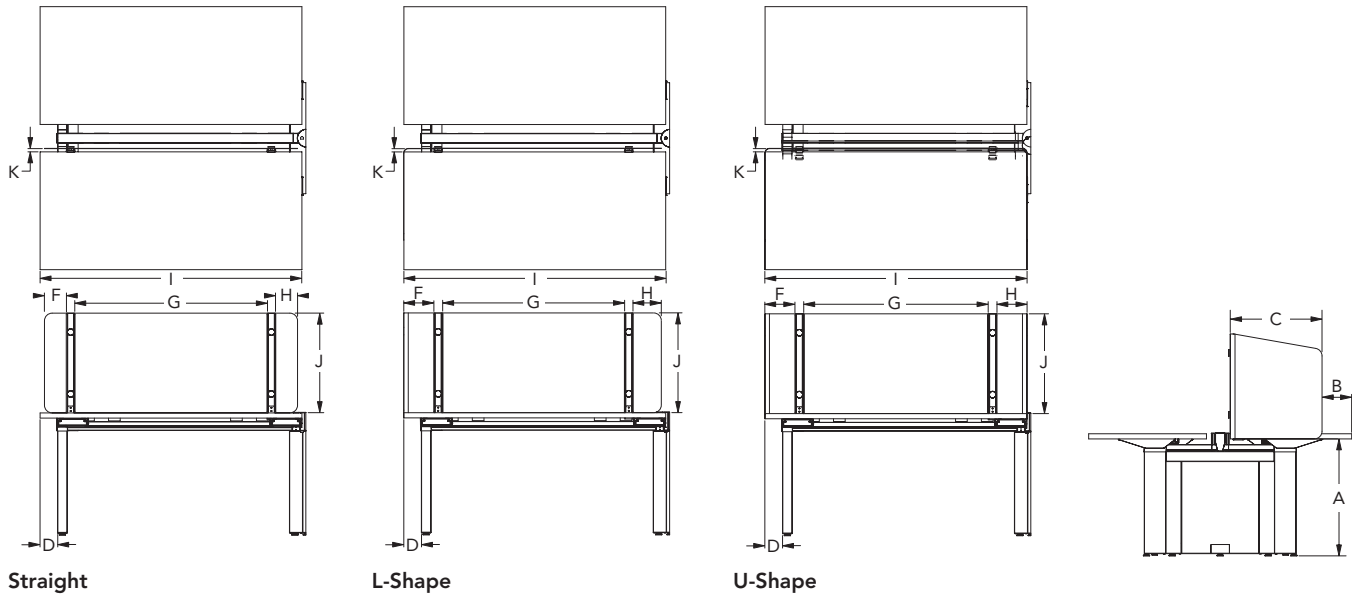










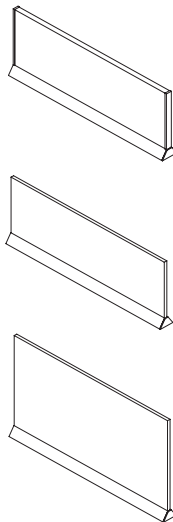


### Size Reference Matrix

Models	A	B	C1	C2	D	E	F	G1	G2	H	I	J1	J2	K
	Under Desk Height	Wing to Front	Wing Width STD	Wing Width EXT	Left Leg to Edge	Right Leg to Edge	Left Side Panel to Support	Distance Between Supports	Distance Between Center/ Right Support	Right Side Panel to Support	Overall Width	Desktop to Base of Panel	Desktop to Top of Panel	Cable Drop Space
AFAMS2048LH	26.8	6.8	21.1	24.3	4.1	-	6.9	29.7	-	6.4	48.1	-	22.9	0.7
AFAMS2054LH	26.8	6.8	21.1	24.3	4.1	-	6.9	35.7	-	6.4	54.1	-	22.9	0.7
AFAMS2060LH	26.8	6.8	21.1	24.3	4.1	-	6.9	41.7	-	6.4	60.1	-	22.9	0.7
AFAMS2066LH	26.8	6.8	21.1	24.3	4.1	-	6.9	22.8	22.8	6.4	66.1	-	22.9	0.7
AFAMS2072LH	26.8	6.8	21.1	24.3	4.1	-	6.9	25.8	25.8	6.4	72.1	-	22.9	0.7
AFAMS2048RH	26.8	6.8	21.1	24.3	4.0	-	6.4	29.7	-	6.9	48.1	-	22.9	0.7
AFAMS2054RH	26.8	6.8	21.1	24.3	4.0	-	6.4	35.7	-	6.9	54.1	-	22.9	0.7
AFAMS2060RH	26.8	6.8	21.1	24.3	4.0	-	6.4	41.7	-	6.9	60.1	-	22.9	0.7
AFAMS2066RH	26.8	6.8	21.1	24.3	4.0	-	6.4	22.8	22.8	6.9	66.1	-	22.9	0.7
AFAMS2072RH	26.8	6.8	21.1	24.3	4.0	-	6.4	25.8	25.8	6.9	72.1	-	22.9	0.7
AFAMS2048US	26.8	6.8	21.1	24.3	4.1	-	6.9	30.3	-	6.9	48.1	-	22.9	0.7
AFAMS2054US	26.8	6.8	21.1	24.3	4.1	-	6.9	36.3	-	6.9	54.1	-	22.9	0.7
AFAMS2060US	26.8	6.8	21.1	24.3	4.1	-	6.9	42.3	-	6.9	60.1	-	22.9	0.7
AFAMS2066US	26.8	6.8	21.1	24.3	4.1	-	6.9	23.1	23.1	6.9	66.1	-	22.9	0.7
AFAMS2072US	26.8	6.8	21.1	24.3	4.1	-	6.9	26.1	26.1	6.9	72.1	-	22.9	0.7
AFAMS2048SS	26.8	-	-	-	4.0	-	5.0	32.0	-	5.0	48.0	-	22.9	0.7
AFAMS2054SS	26.8	-	-	-	4.0	-	5.0	38.0	-	5.0	54.0	-	22.9	0.7
AFAMS2060SS	26.8	-	-	-	4.0	-	5.0	44.0	-	5.0	60.0	-	22.9	0.7
AFAMS2066SS	26.8	-	-	-	4.0	-	5.0	24.0	24.0	5.0	66.0	-	22.9	0.7
AFAMS2072SS	26.8	-	-C1	-	4.0	-	5.0	27.0	27.0	5.0	72.0	-	22.9	0.7

**Lateral Divider Screens** (page 117)

- Optional addition to the bench that provides space division and privacy. Lateral divider screens run perpendicular to the center trough.
- Lateral divider screens are sized to match worksurface depth, however it is not required that they are used on worksurface of the same depth.
- Standard depth screens will overhang worksurface  $\frac{1}{2}$ ".
- There are three types of lateral divider screens: tackable fabric, Frosted or Clear glass, and writable glass.
- Lateral divider screens attach to the underside on the back of the worksurface anywhere along the length of the bench within  $7\frac{1}{2}$ " of each end.
- Lateral divider screens do not have to be mounted at the worksurface seam.
- Lateral divider screens may be used on standard systems worksurfaces, however, the screen mounts and aligns with the back edge of the worksurface. Not to be used on standard rabbet edge worksurfaces.
- Specify a shorter depth screen if using a lateral screen on a Stride Sit-to-Stand surface.
- Screens that match surface depths are available through Allsteel Tailored Products.

**Tackable Fabric Lateral Divider Screens** (page 117)

- $\frac{3}{4}$ " thick tackable fabric
- Available 8"H and 13"H.
- Nominal depths are 27", 30", and 36".
- Actual depths are  $22\frac{3}{4}$ "D,  $25\frac{3}{4}$ "D, and  $31\frac{3}{4}$ "D.

**Glass Lateral Divider Screens** (page 117)

- $\frac{3}{8}$ " thick laminated clear or frosted glass.
- Available 8"H and 13"H.
- Nominal depths are 27", 30", and 36".
- Actual depths are  $22\frac{3}{4}$ "D,  $25\frac{3}{4}$ "D, and  $31\frac{3}{4}$ "D.

**Writable Glass Lateral Divider Screens** (page 117)

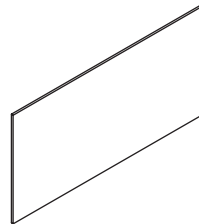
- $\frac{3}{8}$ " thick white opaque glass.
- Available 13"H.
- Nominal depths are 27", 30", and 36".
- Actual depths are  $22\frac{3}{4}$ "D,  $25\frac{3}{4}$ "D, and  $31\frac{3}{4}$ "D.

**Further Adaptive — Metal Screens** (page 118)

- Powder coated magnetic metal privacy screen.
- Metal surfaces can be easily disinfected with cleaners. See cleaning guide for more details at AllsteelOffice.com.
- Available in all standard paint colors.
- Provides ½" gap along the back for accessory mount and cord drop.
- Available in 48"W, 54"W, 60"W, 66"W and 72"W.
- 66"W and 72"W screens include 3rd center bracket.
- Available in Straight, L- and U-shape configurations. Above the desk only.
- L- and U-Shape screens are compatible with shrouded Further Adaptive Desk legs.
- Optional tackable accessories specified separately.
- 66"W tackable accessory comes as a set of (2) 24"W.
- 72"W tackable accessory comes as a set of (2) 20"W.
- Available in standard and extended wings.
- Wings mount flush to the edge of the surface with a VHB tape (included in hardware).
- 20"W tackable accessory must only be applied to both standard and extended wings without accessory slots.
- Wings are available with accessory slots that accept Radii Hot File, Side Saddle and Coat hook.
- Top slot can accept one Radii accessory.
- Bottom slot can accept a Coat hook and one other accessory.
- Accessories can hang on either side of the wing.
- TIP: If the Hot File is used in the top slot, it will block access for accessories in the bottom slot.
- Do not hang more than 5lbs of weight on wings.
- Screens are compatible with Radii undermount storage.
- Not compatible with standard 120-worksurfaces. Contact Allsteel TPG for custom sizes.

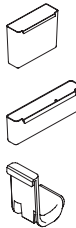
**Size Reference Matrix**

Tackboards	Wing	48"W	54"W	60"W	66"W	72"W
Actual Dimensions	20"W	30"W	36"W	42"W	20"W	24"W
Set of Tackboards	1	1	1	1	2	2



**Accessories — Tackboard** (page 118)

- Tackable accessories come with metal frame available in standard paint colors and fabric options.
- Attach to the screen using a dual lock tape (included in hardware).



**Accessories — Radii** (page 118)

- Wings are available with accessory slots that accept Radii Hot File, Side Saddle and Coat hook.
- Top slot can accept one Radii accessory.
- Bottom slot can accept a Coat hook and one other accessory.
- Accessories can hang on either side of the wing.
- TIP: If the Hot File is used in the top slot, it will block access for accessories in the bottom slot.

**Accessories — Further Worksurface Rail Mount** (page 237)

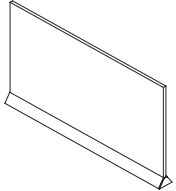
- Accessory rail must be field cut to fit between the screen brackets.
- The following accessories are not compatible with screens: U9WTC and U9TM.

# Benching

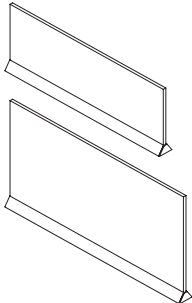
## Stride® — Lateral Divider and Modesty Screens

GSA SIN 33721

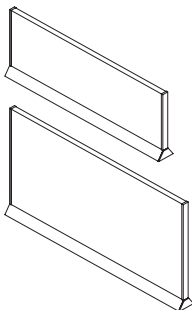
For specification information see page 115.  
(See page 261 for COM pricing on fabric Grades G-J for Fabric Screens.)



Description	Model	List Price
<b>13"H Lateral Divider Screen — 3/8" Thick Writable Glass</b>		
27"D	Z6BL1327M <span>S</span>	\$ 970
30"D	Z6BL1330M <span>S</span>	\$ 1019
36"D	Z6BL1336M <span>S</span>	\$ 1070



Description	Model	Clear List Price	Frosted List Price	Smoked List Price
<b>8"H Lateral Divider Screen — 3/8" Thick Glass</b>				
27"D	Z6BL0827G <span>S</span>	\$ 802	\$ 842	\$ 906
30"D	Z6BL0830G <span>S</span>	\$ 842	\$ 888	\$ 951
36"D	Z6BL0836G <span>S</span>	\$ 884	\$ 936	\$ 999
<b>13"H Lateral Divider Screen — 3/8" Thick Glass</b>				
27"D	Z6BL1327G <span>S</span>	\$ 842	\$ 884	\$ 951
30"D	Z6BL1330G <span>S</span>	\$ 884	\$ 932	\$ 999
36"D	Z6BL1336G <span>S</span>	\$ 920	\$ 974	\$ 1039



Description	Model	List Price					
		Grade A	Grade B	Grade C	Grade D	Grade E	Grade F
<b>8"H Lateral Divider Screen — 3/4" Thick Tackable Fabric</b>							
27"D	Z6BL0827F <span>S</span>	\$ 720	\$ 728	\$ 737	\$ 751	\$ 765	\$ 779
30"D	Z6BL0830F <span>S</span>	\$ 741	\$ 750	\$ 760	\$ 775	\$ 791	\$ 806
36"D	Z6BL0836F <span>S</span>	\$ 819	\$ 830	\$ 841	\$ 860	\$ 878	\$ 897
<b>13"H Lateral Divider Screen — 3/4" Thick Tackable Fabric</b>							
27"D	Z6BL1327F <span>S</span>	\$ 758	\$ 771	\$ 783	\$ 804	\$ 826	\$ 847
30"D	Z6BL1330F <span>S</span>	\$ 779	\$ 793	\$ 807	\$ 831	\$ 855	\$ 878
36"D	Z6BL1336F <span>S</span>	\$ 862	\$ 879	\$ 896	\$ 924	\$ 952	\$ 980

<p><b>How to specify —</b> Select the Model Number from above.</p>	<p><i>1st Option:</i> <b>Paint</b> (if applicable): <span>P1</span> <span>P2</span> <span>P3</span> See page 54 for finishes.</p>	<p><i>1st Option:</i> <b>Fabric</b> (if applicable): See page 10 for fabrics.</p>	<p><i>1st Option:</i> <b>Glass</b> (if applicable): LC Clear LF Frosted GSM1 Smoked</p>	<p><i>2nd Option:</i> <b>Paint</b> (if applicable): <span>P1</span> <span>P2</span> <span>P3</span> See page 54 for finishes.</p>
<div style="border-bottom: 1px solid black; width: 100%; height: 15px;"></div>	<div style="border-bottom: 1px solid black; width: 100%; height: 15px;"></div>	<div style="border-bottom: 1px solid black; width: 100%; height: 15px;"></div>	<div style="border-bottom: 1px solid black; width: 100%; height: 15px;"></div>	<div style="border-bottom: 1px solid black; width: 100%; height: 15px;"></div>

Examples: Z6BL0836F.IMP905.P02    Z6BL1327M.P27  
Z6BL0827G.LC.P28

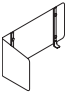
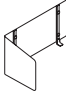
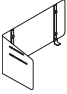
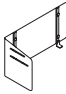
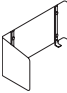
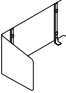
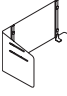
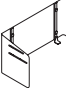
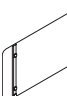
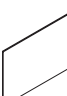
S Shippable by small-package carrier.

# Screens

## Further™ Adaptive — Metal Screens / Tackboard Accessories

For specification information see pages 114-116.

GSA SIN 33721

		Description	Model	P1 Paint List Price	P2 Paint Upcharge	P3 Paint Upcharge
		<b>22"H Metal L-Screen</b>				
		48"W	AFAMS2048LH (shown)	\$ 764	\$ 793	\$ 822
		54"W	AFAMS2054LH	\$ 831	\$ 862	\$ 894
		60"W	AFAMS2060LH	\$ 930	\$ 965	\$ 1000
		66"W	AFAMS2066LH	\$ 1017	\$ 1055	\$ 1094
		72"W	AFAMS2072LH	\$ 1064	\$ 1104	\$ 1144
		<b>22"H Metal L-Screen</b>				
		48"W	AFAMS2048RH	\$ 764	\$ 793	\$ 822
		54"W	AFAMS2054RH	\$ 831	\$ 862	\$ 894
		60"W	AFAMS2060RH	\$ 930	\$ 965	\$ 1000
		66"W	AFAMS2066RH	\$ 1017	\$ 1055	\$ 1094
		72"W	AFAMS2072RH	\$ 1064	\$ 1104	\$ 1144
		<b>22"H Metal U-Screen</b>				
		48"W	AFAMS2048US (shown)	\$ 996	\$ 1034	\$ 1071
		54"W	AFAMS2054US	\$ 1050	\$ 1090	\$ 1129
		60"W	AFAMS2060US	\$ 1097	\$ 1138	\$ 1180
		66"W	AFAMS2066US	\$ 1203	\$ 1248	\$ 1294
		72"W	AFAMS2072US	\$ 1263	\$ 1311	\$ 1358
		<b>22"H Metal U-Screen</b>				
		48"W	AFAMS2048SS (shown)	\$ 651	\$ 676	\$ 700
		54"W	AFAMS2054SS	\$ 684	\$ 710	\$ 736
		60"W	AFAMS2060SS	\$ 730	\$ 758	\$ 785
		66"W	AFAMS2066SS	\$ 831	\$ 862	\$ 894
		72"W	AFAMS2072SS	\$ 897	\$ 931	\$ 965
		<b>22"H Metal Straight Screen</b>				
		<b>15"H Tackboard Accessories</b>				
		20"W	AAS1520 <input type="checkbox"/>	\$ 283	\$ 294	\$ 304
		48"W	AAS1548 <input type="checkbox"/> (shown)	\$ 336	\$ 349	\$ 361
		54"W	AAS1554 <input type="checkbox"/>	\$ 372	\$ 386	\$ 400
		60"W	AAS1560 <input type="checkbox"/>	\$ 388	\$ 403	\$ 417
		66"W	AAS1566 <input type="checkbox"/>	\$ 566	\$ 587	\$ 609
		72"W	AAS1572 <input type="checkbox"/>	\$ 619	\$ 642	\$ 666

FURTHER

<p><b>How to specify —</b> Select the Model Number from above.</p>	<p><b>1st Option:</b> Wing Type :</p> <p>STD Standard EXT Extended</p>	<p><b>2nd Option:</b> Accessories Slots:</p> <p>X No Accessory Cut Out SLT Accessory Cut Out</p>	<p><b>3rd Option:</b> Paint Option:</p> <p><input type="radio"/> P1 <input type="radio"/> P2 <input type="radio"/> P3 See page 54 for finishes.</p>	<p><b>4th Option:</b> Paint Option:</p> <p>NA Screen</p>	<p><b>5th Option:</b> Accessories Color (if applicable):</p> <p>DW Designer White E9 Flint</p>
	<p>_____ . _____ . _____ . P ____ . NA . _____</p>				

Examples: AAS1548.PR6.APN911 AFAMS2048LH.STD.SLT.PR6.NA AFAMS2048SS.PR6.NA

Shippable by small-package carrier.

# Screens

## Further™ Adaptive — Tackboard Accessories

For specification information see pages [114-116](#).

GSA SIN Pending

### Work Tools



Description	Model	List Price
<b>Hot File</b> (Designer White Only) 9½"H x 12¼"W x 3⅜"D	AEHF	\$ 59
<b>Side Saddle</b> (Designer White Only) 4"H x 12¼"W x 2⅝"D	AESS	\$ 48
<b>Bag or Coat Hook</b> (Designer White Only) 3¼"H x 1⅝"W x 2¼"D	AECH	\$ 37

**How to specify —**  
Select the  
Model Number  
from above.

**1st Option:**  
**Paint Option**  
(if applicable):  
P1 P2 P3  
See page 54  
for finishes.

**2nd Option:**  
**Fabric Option**  
(if applicable):  
See page 10 for  
fabric options.

**3rd Option:**  
**Accessories Color**  
(if applicable):  
DW Designer White  
E9 Flint

\_\_\_\_\_ .

P \_\_\_\_\_ .

\_\_\_\_\_ .

\_\_\_\_\_ .

Examples: AEHF.PJW

Finishes .....	119.2-119.3
Partnership Program Upholstery .....	119.4
Specification Details .....	119.5-119.9
<b><i>Fabric Screens</i></b>	
Beam Mounted Screens .....	119.10
Elevated Screens .....	119.11
Above/Below Screens .....	119.12
Lateral Screens .....	119.13-119.15
Adjustable HAT Screens.....	119.16
Modesty Screens.....	119.17
Sit-on-Surface Screens .....	119.18
<b><i>Glass Screens</i></b>	
Beam Mounted Screens .....	119.19
Elevated Screens .....	119.20
Above/Below Screens .....	119.21
Lateral Screens .....	119.22-119.23
Side Screens.....	119.24
Modesty Screens.....	119.25
<b><i>Acrylic Screens</i></b>	
Beam Mounted Screens .....	119.26
Elevated Screens .....	119.27
Above/Below Screens .....	119.28
Lateral Screens .....	119.29-119.30
Side Screens.....	119.31
Modesty Screens.....	119.32
Sit-on-Surface Screens .....	119.33
<b><i>Laminate Screens</i></b>	
Beam Mounted Screens .....	119.34
Elevated Screens .....	119.35
Above/Below Screens .....	119.36
Lateral Screens .....	119.37-119.38
Side Screens.....	119.39
Modesty Screens.....	119.40
<b><i>Organizers</i></b> .....	119.41



### PAINT FINISHES

#### GRADE P1

Black	..... P71
Brownstone	..... P7D
Bungalow	..... P7C
Cinder	..... P7Q
Cove*	..... P096
Designer White	..... PJW
Dune*	..... P094
Flint	..... P02
Fossil	..... P28
Harbor*	..... P097
Loft	..... P7B
Muslin	..... P4J
Parchment	..... P93
Pebble	..... P8R
Pewter	..... P8D
Sage*	..... P095
Salt	..... P8C
Titanium	..... P8T

#### GRADE P2

Champagne Metallic	..... PR5
Gunmetal Metallic	..... PR3
Matte Gold	..... P8G
Night Bronze	..... P8B
Platinum Metallic	..... PR2
Pyrite	..... PJE
Silver	..... PR6
Solar Black	..... P8X

#### GRADE P3

Amethyst	..... P091
Atom	..... P8S
Blossom	..... P8K
Bullseye	..... PJF
Cobalt Mica	..... P090
Ember	..... P8P
Ion	..... P8N
Iris	..... P8J
Krypton	..... P8F
Ochre	..... P093
Regatta	..... P8M
Sienna	..... P092
Succulent	..... P8A

#### GRADE P6

Markerboard	..... MKP
-------------	-----------

### LAMINATE FINISHES

#### GRADE L1

Black	..... P
Bourbon Cherry	..... H
Charcoal	..... S
Cognac	..... COGN
Designer White	..... LDW1
Field Elm	..... LWFE
Florence Walnut	..... LFW1
Handspun Chestnut	..... LAHC
Handspun Dove	..... LAHD
Handspun Pearl	..... LAHP
Handspun Slate	..... LAHS
Harvest	..... C
Kingswood Walnut	..... LK1
Loft	..... LOFT
Mahogany	..... N
Mocha	..... MOCH
Natural Maple	..... D
Pinnacle	..... PINC
Shaker Cherry	..... F
Silver Mesh	..... B9
Sterling Ash	..... LSA1

#### GRADE L2

Beigewood	..... LWBE
Fawn Cypress	..... LFC1
Lowell Ash	..... LLA1
Natural Recon	..... LNR1
Phantom Ecrú	..... LPE1
Portico Teak	..... LPT1
Skyline Walnut	..... LSW1

### EDGE FINISHES

Beigewood	..... DE
Belair	..... BA
Black	..... E4
Bourbon Cherry	..... H
Brownstone	..... EY
Bungalow	..... EX
Designer White	..... DW
Fawn Cypress	..... FC
Field Elm	..... FE
Flint	..... E9
Florence Walnut	..... FW
Fossil	..... EH
Kingswood Walnut	..... KI
Loft	..... EV
Lowell Ash	..... DL
Mangalore Mango	..... MM
Muslin	..... EU
Natural Maple	..... DD
Natural Recon	..... DR
Natural Walnut	..... DN
Neo Walnut	..... NU
Parchment	..... EN
Phantom Charcoal	..... PC
Phantom Ecrú	..... PE
Pinnacle	..... PI
Platinum Metallic	..... EP
Portico Teak	..... DP
Shaker Cherry	..... DF
Skyline Walnut	..... SW
Titanium	..... TI
Veranda Teak	..... VT

### GRADE A

#### APPOINT PANEL

<i>100% Polyester</i>	
Artichoke	..... APN911
Blackberry	..... APN932
Bronze	..... APN922
Carbon	..... APN928
Chai	..... APN912
Cherry	..... APN930
Dark Pewter	..... APN917
Dune	..... APN915
Espresso	..... APN923
Frost	..... APN934
Framboise	..... APN931
Jet	..... APN927
Lawn	..... APN925
Mandarin	..... APN929
Morel	..... APN909
Nimbus	..... APN916
Platinum	..... APN924
Turquoise	..... APN926

#### BINARY

<i>83% Polyester, 17% Post-Consumer Recycled Polyester</i>	
Blush	..... BNR912
Coal	..... BNR906
Cream	..... BNR901
Denim	..... BNR908
Diamond	..... BNR903
Graphite	..... BNR905
Juniper	..... BNR910
Lagoon	..... BNR907
Lavender	..... BNR911
Mineral	..... BNR904
Reef	..... BNR909
Sand Dollar	..... BNR902

#### ETCH

<i>100% Polyester</i>	
Axis	..... ECH913
Blend	..... ECH914
Cast	..... ECH912
Highlight	..... ECH910
Midtone	..... ECH911
Outline	..... ECH908
Shade	..... ECH909
Tonal	..... ECH916
Vanish	..... ECH915

#### LANDSCAPE

<i>48% Post-Consumer Recycled Polyester, 40% Pre-Consumer Recycled Polyester, 12% Polyester</i>	
Corn silk	..... LN15
Drift	..... LN05
Khaki	..... LN20
Sheen	..... LN10
Slate	..... LN35
Umber	..... LN25
Urban	..... LN30

### GRADE A – continued

#### NOBLE

<i>60% Post-Consumer Recycled Polyester</i>	
Aegean	..... NBLE18
Amethyst	..... NBLE19
Aspen	..... NBLE14
Aster	..... NBLE20
Blossom	..... NBLE21
Bluebell	..... NBLE22
Bordeaux	..... NBLE01
Brick	..... NBLE02
Chambray	..... NBLE10
Chamomile	..... NBLE23
Clementine	..... NBLE04
Conifer	..... NBLE24
Cottage	..... NBLE25
Darkness	..... NBLE26
Dawn	..... NBLE13
Denim	..... NBLE09
Desert Sand	..... NBLE27
Dewfall	..... NBLE28
Dusted Sage	..... NBLE29
Flax	..... NBLE30
Grass	..... NBLE07
Gunmetal	..... NBLE15
Harmony	..... NBLE31
Harvest	..... NBLE12
Ice Caves	..... NBLE32
Icicle	..... NBLE33
Inky	..... NBLE34
Iris	..... NBLE35
Jade	..... NBLE06
Knight	..... NBLE17
Mesa	..... NBLE03
Monarch	..... NBLE36
Pacific	..... NBLE08
Pitch	..... NBLE37
Queen Bee	..... NBLE38
Rainforest	..... NBLE05
Regal	..... NBLE11
Sandcastle	..... NBLE39
Sedona	..... NBLE40
Stormy	..... NBLE16
Sunbeam	..... NBLE41
Voyager	..... NBLE42
Windy Day	..... NBLE43

#### REFLECTIONS

<i>56% Pre-Consumer Recycled Polyester, 44% Post-Consumer Recycled Polyester</i>	
Galvanized	..... REF929
Ice	..... REF920
Loggia	..... REF921
Mistral	..... REF928
Moonstone	..... REF923
Pewter	..... REF922
Stainless	..... REF924
Vanilla	..... REF925
Winter	..... REF927

#### REFUGE

<i>46% Polyester, 35% Pre-Consumer Recycled Polyester, 19% Post-Consumer Recycled Polyester</i>	
Artesian	..... RFG996
Dune	..... RFG992
Eclipse	..... RFG990
Frost †	..... RFG993
Glacier †	..... RFG991
Mineral	..... RFG998
Tidal	..... RFG994

#### TEMPEST

<i>73% Pre-Consumer Recycled Polyester, 27% Post-Consumer Recycled Polyester</i>	
Dragonfly	..... TP930
Frost	..... TP915
Full Stream	..... TP980
Gold Rush	..... TP910
Slate	..... TP945
Tumbleweed	..... TP970
Wind Chill	..... TP940
Zebra	..... TP935

<sup>w</sup> Limited to 48" W or less

\* Coming soon

## GRADE B

### COAST

100% Polyester

Channel.....	COA914
Dune.....	COA903
Headlands.....	COA910
Marsh.....	COA902
Pebble.....	COA912
Pier.....	COA913
Shoal.....	COA901
Silt.....	COA906
Tide.....	COA908

### DISPERSE

100% Polyester

Autumn.....	DISP03
Branch.....	DISP10
Coffee Bean.....	DISP13
Dusk.....	DISP09
Emerald City.....	DISP08
Gold Rush.....	DISP02
Igloo.....	DISP11
Ink.....	DISP06
Mist.....	DISP12
Oatmeal.....	DISP15
Prince.....	DISP07
Reservoir.....	DISP01
Rose.....	DISP04
Spring.....	DISP05
Steel.....	DISP16
Taupe.....	DISP14

### SPIN PANEL

54% Polyester, 30% Pre-Consumer

Recycled Polyester, 16% Post-Consumer

Recycled Polyester

Alabaster.....	SPIN02
Cavern.....	SPIN03
Cobblestone.....	SPIN04
Ember.....	SPIN06
Flame.....	SPIN07
Heron.....	SPIN13
Oat.....	SPIN01
Ocean.....	SPIN12
Plum.....	SPIN15
Pool.....	SPIN11
Raven.....	SPIN10
Rhubarb.....	SPIN14
Tropic.....	SPIN08
Willow.....	SPIN05

### TERRAIN

48% Polyester, 34% Pre-Consumer

Recycled Polyester, 18% Post-Consumer

Recycled Polyester

Bay.....	TRRN05
Bayou.....	TRRN35
Canyon.....	TRRN30
Cliff.....	TRRN45
Crest.....	TRRN25
Delta.....	TRRN10
Plateau.....	TRRN15
Ridge.....	TRRN20
Valley.....	TRRN40

## SEATING – GRADE 1

### CENTURION<sup>W</sup>

100% Polyester

Apricot.....	CU47
Bark.....	CU25
Black.....	CU10
Espresso.....	CU49
Fog.....	CU03
Frost.....	CU22
Goldenrod.....	CU27
Indigo.....	CU06
Iris.....	CU50
Iron Ore.....	CU19
Jade.....	CU83
Marsala.....	CU63
Morel.....	CU24
Navy.....	CU98
Peacock.....	CU97
Pear.....	CU84
Ruby.....	CU67
Sapphire.....	CU09

### DAPPER<sup>W</sup>

100% Polyester

Ash.....	DAPR20
Azalea.....	DAPR95
Breeze.....	DAPR06
Canvas.....	DAPR25
Charcoal.....	DAPR01
Clover.....	DAPR22
Currant.....	DAPR00
Emerald.....	DAPR75
Fawn.....	DAPR35
Fern.....	DAPR85
Gerbera.....	DAPR16
Grape.....	DAPR33
Jewel.....	DAPR08
Marigold.....	DAPR65
Onyx.....	DAPR10
Orchid.....	DAPR90
Parrot.....	DAPR59
Peony.....	DAPR50
Pool.....	DAPR05
Poppy.....	DAPR19
Rose.....	DAPR40
Sapphire.....	DAPR07
Scarlet.....	DAPR45
Sepia.....	DAPR30
Sky.....	DAPR44
Slate.....	DAPR15
Sorbet.....	DAPR55
Spice.....	DAPR60
Spring.....	DAPR80
Terracotta.....	DAPR13
Titanium.....	DAPR17
Varsity.....	DAPR09
Zest.....	DAPR70

<sup>W</sup> Limited to 48"W or less

ALLSTEEL MATERIALS PARTNERSHIP PROGRAM — See program explanation at bottom of page.

#### GRADE 2

**Maharam MELD**  
68% Recycled Polyester,  
32% Polyester

Amethyst.....SMHMMLD18  
Antler.....SMHMMLD13  
Bare.....SMHMMLD26  
Blonde.....SMHMMLD27  
Bride.....SMHMMLD10  
Bulb.....SMHMMLD09  
Clementine.....SMHMMLD23  
Comet.....SMHMMLD29  
Crater.....SMHMMLD14  
Creek.....SMHMMLD40  
Fox.....SMHMMLD24  
Fuchsia.....SMHMMLD17  
Globe.....SMHMMLD42  
Gloss.....SMHMMLD08  
Grate.....SMHMMLD07  
Heat.....SMHMMLD22  
Honeydew.....SMHMMLD30  
Isle.....SMHMMLD39  
Kale.....SMHMMLD34  
Kiss.....SMHMMLD25  
Knight.....SMHMMLD04  
Magma.....SMHMMLD20  
Mariner.....SMHMMLD41  
Merlot.....SMHMMLD19  
Mimosas.....SMHMMLD28  
Mulberry.....SMHMMLD16  
Nordic.....SMHMMLD36  
Panda.....SMHMMLD02  
Perennial.....SMHMMLD15  
Pipe.....SMHMMLD06  
Quill.....SMHMMLD05  
Reef.....SMHMMLD37  
Rooster.....SMHMMLD21  
Seashell.....SMHMMLD12  
Seed.....SMHMMLD33  
Skyline.....SMHMMLD03  
Spa.....SMHMMLD43  
Stark.....SMHMMLD11  
Vast.....SMHMMLD01  
Vine.....SMHMMLD32  
Waterfall.....SMHMMLD35  
Wave.....SMHMMLD38  
Wild.....SMHMMLD31

#### GRADE 4

**HBF Textiles BLINK**

Bright Blue..... 1048-59  
Dark Violet..... 1048-77  
Dove Grey..... 1048-83  
Lemon Yellow..... 1048-22  
Ocean Blue..... 1048-56  
Peppery..... 1048-90  
Red Orange..... 1048-44  
Sea Green..... 1048-67  
Silvery..... 1048-80

#### GRADE 4 – continued

**Maharam MESSENGER**  
78% Recycled

Apple.....SMHMGRM96  
Ash.....SMHMGRM77  
Aster\*.....SMHMGRM67  
Azure.....SMHMGRM41  
Balsa\*.....SMHMGRM01  
Bayou.....SMHMGRM08  
Beyond\*.....SMHMGRM85  
Blanch.....SMHMGRM89  
Cactus\*.....SMHMGRM45  
Capri.....SMHMGRM61  
Cassis.....SMHMGRM66  
Catalyst\*.....SMHMGRM98  
Cherry.....SMHMGRM69  
Chestnut\*.....SMHMGRM52  
Chili\*.....SMHMGRM83  
Cloud.....SMHMGRM31  
Depth.....SMHMGRM38  
Dipper.....SMHMGRM92  
Electric\*.....SMHMGRM88  
Everglade.....SMHMGRM87  
Fennel\*.....SMHMGRM59  
Fireside\*.....SMHMGRM82  
Fossil\*.....SMHMGRM76  
Gale\*.....SMHMGRM93  
Hunter.....SMHMGRM94  
Husk\*.....SMHMGRM81  
Hydrangea\*.....SMHMGRM50  
Ice.....SMHMGRM46  
Krill\*.....SMHMGRM97  
Lilac\*.....SMHMGRM51  
Lime.....SMHMGRM95  
Longspur.....SMHMGRM90  
Lumine.....SMHMGRM54  
Maize\*.....SMHMGRM72  
Mao.....SMHMGRM25  
Neon\*.....SMHMGRM48  
Nile.....SMHMGRM40  
Onyx.....SMHMGRM29  
Oyster\*.....SMHMGRM79  
Pensive\*.....SMHMGRM80  
Peridot\*.....SMHMGRM60  
Poppy\*.....SMHMGRM24  
Robust\*.....SMHMGRM84  
Satsuma.....SMHMGRM71  
Shadow\*.....SMHMGRM07  
Snow.....SMHMGRM58  
Spice\*.....SMHMGRM68  
Squall\*.....SMHMGRM63  
Tangelo.....SMHMGRM53  
Tobacco\*.....SMHMGRM06  
Tusk\*.....SMHMGRM78  
Ultramarine\*.....SMHMGRM62  
Vibrant\*.....SMHMGRM70  
Vireo.....SMHMGRM91  
Voyage.....SMHMGRM86  
Zinc\*.....SMHMGRM10

#### GRADE 9

**Maharam MEDIUM**  
100% Polyester

Alloy.....SMHMMDM03  
Cosmic.....SMHMMDM50  
Delight.....SMHMMDM36  
Espresso.....SMHMMDM07  
Flax.....SMHMMDM04  
Hike.....SMHMMDM47  
Laser.....SMHMMDM14  
Marina.....SMHMMDM22  
Nasturtium.....SMHMMDM53  
Nautical.....SMHMMDM39  
Pacific.....SMHMMDM49  
Pecan.....SMHMMDM08  
Pistachio.....SMHMMDM29  
Pool.....SMHMMDM40  
Port.....SMHMMDM16  
Prospect.....SMHMMDM32  
Pumpkin.....SMHMMDM12  
Raven.....SMHMMDM01  
Sculpture.....SMHMMDM45  
Smoke.....SMHMMDM02  
Tangle.....SMHMMDM48  
Thatched.....SMHMMDM46  
Washed.....SMHMMDM44

Multi-use fabrics are noted with the following designators: **B** – Tackboards, **C** – Concensys®, **O** – Optimize™, **T** – Terrace®, **F** – Further™.

\* Colorway not shown on Textiles card; all Partnership Program memo samples are available from supplier. See contact information below.

#### ALLSTEEL PARTNERSHIP PROGRAM

Allsteel understands that customers may want to specify panel and seating textiles outside of Allsteel's standard offering. Allsteel's Partnership Program consists of on-trend and design-forward patterns that have been tested and approved by Allsteel for use on Allsteel products. A subset of these approved patterns is available on cards in the textile binder, while numerous others are available on our website, [allsteeloffice.com](http://allsteeloffice.com).

For memo samples, please contact our partners:

- Camira, [memos@camirafabrics.com](mailto:memos@camirafabrics.com) 1.616.288.0655
- CF Stinson, [cfstinson.com](http://cfstinson.com) 1.800.841.6279
- HBF Textiles, [hbftextiles.com](http://hbftextiles.com) 1.877.494.5727
- Maharam, [maharam.com](http://maharam.com) 1.800.645.3943
- Ultrafabrics, [ultrafabricsinc.com](http://ultrafabricsinc.com), 1.877.309.6648

The intent of the **Partnership Program** is to offer a wide variety of on-trend textiles to meet your varied needs, but since these textiles are not part of our standard offering they may be subject to extended lead times. Because new materials will be introduced regularly, Allsteel reserves the right to change the offering at any time.

### AVAILABLE SCREEN MATERIALS, MOUNTING METHODS, AND SIZES

#### Desktop Mounted Screens

		Elevated	Top Mount	Side Mount	F-2-B	S.O.S.	Lat Org	Modesty
Acrylic	H	13, 20	12, 20, 27	13, 20, 27	13, 20, 27	13, 20		13
	W	34, 36, 40, 42, 46, 48, 52, 54, 58, 60, 64, 66, 70, 72	21, 22, 24, 27, 28, 30, 36	21, 22, 24, 27, 28, 30, 36	21, 22, 24, 27, 28, 30, 36	36, 42, 48, 54, 60, 66, 72		30, 36, 42, 48, 54, 60, 66, 72
Fabric	H	13, 20, 27	13, 20	13, 20	13, 20, 27	13, 20		13
	W	34, 36, 40, 42, 46, 48, 52, 54, 58, 60, 64, 66, 70, 72	21, 22, 24, 27, 28, 30, 36	21, 22, 24, 27, 28, 30, 36	21, 22, 24, 27, 28, 30, 36	36, 42, 48, 54, 60, 66, 72		30, 36, 42, 48, 54, 60, 66, 72
Laminate	H	13, 20	13, 20, 27	13, 20, 27	13, 20, 27			13
	W	34, 36, 40, 42, 46, 48, 52, 54, 58, 60, 64, 66, 70, 72	21, 22, 24, 27, 28, 30, 36	21, 22, 24, 27, 28, 30, 36	21, 22, 24, 27, 28, 30, 36			30, 36, 42, 48, 54, 60, 66, 72
Glass	H	13, 20	13, 20	13, 20	13, 20			11
	W	34, 36, 40, 42, 46, 48, 52, 54, 58, 60, 64, 66, 70, 72	21, 22, 24, 27, 28, 30, 36	21, 22, 24, 27, 28, 30, 36	21, 22, 24, 27, 28, 30, 36			36, 42, 48, 54, 60
Metal	H						20	
	W						21, 27	

#### Above/Below Screens

		Movable A/B	Fixed A/B
Acrylic	H		27
	W		34, 36, 40, 42, 46, 48, 52, 54, 58, 60, 64, 66, 70, 72
Fabric	H	27, 34	27, 34
	W	34, 36, 40, 42, 46, 48, 52, 54, 58, 60, 64, 66, 70, 72	34, 36, 40, 42, 46, 48, 52, 54, 58, 60, 64, 66, 70, 72
Laminate	H		27
	W		34, 36, 40, 42, 46, 48, 52, 54, 58, 60, 64, 66, 70, 72
Glass	H		25
	W		36, 42, 48, 54, 60

#### Series-Specific Screens

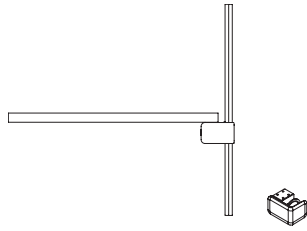
		Further	Further Modesty
Acrylic	H	13, 20, 28	
	W	24, 30, 36, 42, 48, 54, 60, 66, 72	
Fabric	H	13, 20, 28	13, 20
	W	24, 30, 36, 42, 48, 54, 60, 66, 72	24, 30, 36, 42, 48, 54, 60, 66, 72
Laminate	H	13, 20, 28	
	W	24, 30, 36, 42, 48, 54, 60, 66, 72	
Glass	H	13, 20	
	W	24, 30, 36, 42, 48, 54, 60, 66, 72, 78, 84, 90, 96	

### SUPPORT CLEARANCE RULES

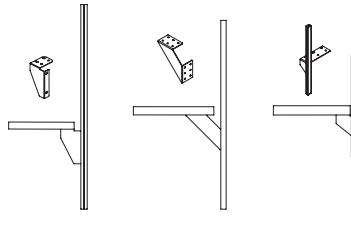
	Above/ Below Movable	Above/Below Fixed	Elevated Mount	Top Mount	Side Mount	Front-to-Back	Sit-on- Surface	Modesty*
Recommended Inset from Edge of Worksurface								
<b>Approach O-Leg</b>	>9"	No Inset	No Inset	No Inset	Not Compatible	2"	No Inset	6"
<b>Approach Splay Leg</b>	>9"	No Inset	No Inset	No Inset	Not Compatible	Not Compatible	No Inset	6"
<b>End Panel Leg</b>	18"	6"	12"	No Inset	Not Compatible	Not Compatible	No Inset	6"
<b>Huddle Post Leg</b>	9"	No Inset	No Inset	No Inset	No Inset	No Inset	No Inset	6"
<b>Altitude Base</b>	No Inset	No Inset	No Inset	No Inset	No Inset	No Inset	No Inset	No Inset
<b>Altitude Shroud</b>	6"	No Inset	No Inset	No Inset	No Inset	No Inset	No Inset	6"
<b>Pedestal</b>	>Ped Width	Ped Width -12"	Ped Width - 6"	No Inset	Not Compatible	Not Compatible	No Inset	Ped Width

\* Recommended mounting location for modesty screens is inset 3-6" from approach edge of worksurface. Screens can be mounted flush to the edge if desired. When using modesty panels, please check for interference with worksurface supports based on inset location.

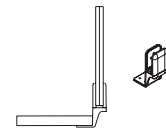
### SCREEN PROFILES AND DIMENSIONS



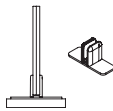
Movable Above/Below Screen and Bracket  
Fabric Screen Insert shown



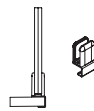
Fixed Above/Below Screen and Bracket  
Fabric, Laminate, Acrylic Inserts shown



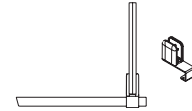
Elevated Screen and Bracket  
Fabric Insert shown



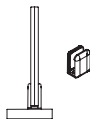
Sit-on-Surface Screen and Bracket  
Fabric Insert shown



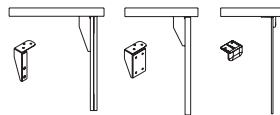
Side Mount Screen and Bracket  
Fabric Insert shown



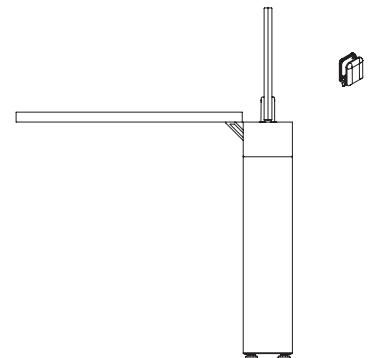
Front-to-Back Screen and Bracket  
Fabric Insert shown



Top Mount Screen and Bracket  
Fabric Insert shown



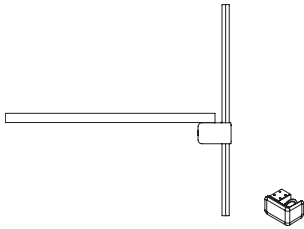
Modesty Screen and Brackets  
Fabric, Laminate, and Acrylic Inserts shown



Further Beam Mount Screen and Bracket  
Fabric Insert shown

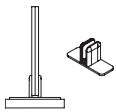
### SCREEN MOUNTING TECH AND SPEC INFORMATION

#### Movable Above/Below



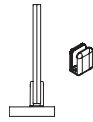
- Available in Fabric only.
- Screen is offset from edge of worksurface by 1" for cord management and to allow the use of worksurface-mounted accessories.
- Mounting brackets attach to underside of worksurface.
- Screen is secured to brackets with thumb screws, allowing users to adjust height up/down.
- Min. height above or below worksurface is 6".
- Brackets are secured on the outside edge of the screen.
- Brackets are available in standard paint options and ship uninstalled.

#### Sit-on-Surface Screen



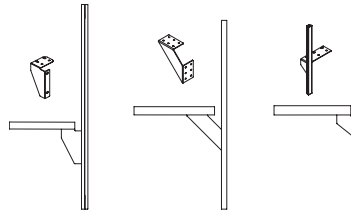
- Available in Fabric or Acrylic.
- Screen is slightly offset from top of worksurface.
- Brackets come with anti-slip neoprene foam pads and do not physically attach to worksurface.
- Brackets are designed to be rotated 90 degrees when needed.
- Screen is secured to brackets by tightening two set screws in bracket against screen material.
- Brackets are available in standard paint options and ship uninstalled.

#### Top Mount Screen



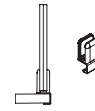
- Available in Fabric or Acrylic.
- Screen is slightly offset from top of worksurface.
- Mounting brackets attach to the top of the worksurface with either double-sided tape or wood screws.
- Screen is secured to brackets by tightening two set screws in bracket against screen material.
- Bracket location flexible and can be adjusted as needed. Recommended inset location is ~6-12" from edge of screen.
- Brackets are available in standard paint options and ship uninstalled.

#### Fixed Above/Below



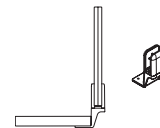
- Available in Fabric, Acrylic, or Laminate.
- Screen is offset from edge of worksurface by 1" for cord management and to allow the use of worksurface-mounted accessories.
- Mounting brackets attach to underside of worksurface.
- Fabric Screens are secured to brackets via metal fasteners to threaded inserts embedded in screen. Brackets are inset 10" (30-40"W) or 12" (42"W+) from edge of screen depending on size. Brackets are available in black paint only and ship installed.
- Acrylic Screens are secured to brackets via a metal fastener. Brackets are located on edge of screen. Brackets are available in standard paint options and ship uninstalled.
- Laminate Screens are secured to brackets via wood screws. Brackets are inset 10" (30-42"W) or 12" (48"W+). Brackets are available in black paint only and ship uninstalled.

#### Side Mount Screen



- Available in Fabric or Acrylic.
- Screen is slightly offset from top of worksurface.
- Mounting brackets wrap around the side edge of the worksurface.
- Screen is secured to brackets by tightening two set screws in bracket against screen material.
- Bracket location flexible and can be adjusted as needed. Recommended inset location is ~6-12" from edge of screen.
- Can only be used with flat-edged worksurfaces/tables.
- Brackets are available in standard paint options and ship uninstalled.

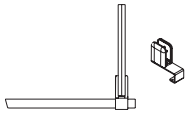
#### Elevated Screen



- Available in Fabric, Acrylic, or Glass.
- Screen is offset from top of worksurface by 1" for cord management and to allow the use of worksurface-mounted accessories.
- Mounting brackets attach to the underside of the worksurface.
- Screen is secured to brackets by tightening two set screws in bracket against screen material.
- Bracket location flexible and can be adjusted as needed. Recommended inset location is ~6-12" from edge of screen.
- Can only be used with flat-edged worksurfaces/tables.
- Brackets are available in standard paint options and ship uninstalled.

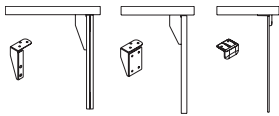
### SCREEN MOUNTING TECH AND SPEC INFORMATION

#### Front-to-Back Screen



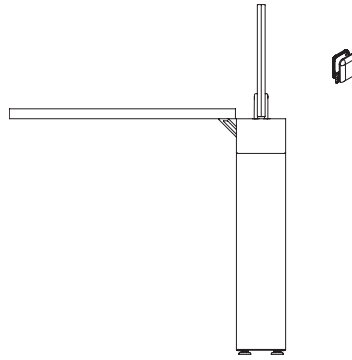
- Available in Fabric, Acrylic, or Glass.
- Screen is slightly offset from top of work surface.
- Mounting brackets wrap around front and rear edge of the work surface.
- Screen is secured to brackets by tightening two set screws in bracket against screen material.
- Bracket location is fixed on either side of the screen.
- Can only be used with flat-edged work surfaces/tables.
- Brackets are available in standard paint options and ship uninstalled.

#### Modesty Panel



- Available in Fabric, Acrylic, or Laminate.
- Mounting brackets attach to the underside of the work surface.
- Fabric modesty is secured to brackets via metal fasteners to threaded inserts embedded in screen. Brackets are inset 10" (30-40"W) or 12" (42"W+) from edge of screen depending on size. Brackets are available in black paint only and ship installed.
- Acrylic modesty is secured to brackets via metal fasteners through predrilled holes in modesty panel. Brackets are inset 10" (36"W) or 12" (42"W+) from edge of screen depending on size. Brackets are available in standard paint options and ship uninstalled.
- Laminate modesty is secured to brackets via wood screws. Brackets are inset 10" (30-42"W) or 12" (48"W+). Brackets are available in black paint only and ship uninstalled.

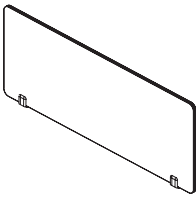
#### Further Beam Mount



- Available in Fabric, Glass, Acrylic, or Laminate.
- Mounting brackets secure to slot in center of beam.
- Screens will provide access between screen and rear edge of work surface for access to power rail or for mounting work surface accessories.
- Screen is secured to brackets by tightening two set screws in bracket against screen material.
- Bracket location flexible and can be adjusted as needed. Recommended inset location is ~6-12" from edge of screen.
- For Further Adaptive applications select a desktop-mounted screen.
- Brackets are available in standard paint options and ship uninstalled.



For specification information see pages 119.5-119.9.



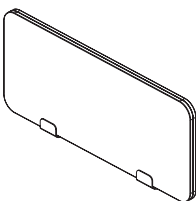
Description	Model	List Price					
		Grade A	Grade B	Grade C	Grade D	Grade E	Grade F
<b>13"H Beam Mounted Center Screen — Fabric</b>							
24"W	AFS1324BSF	\$ 593	\$ 619	\$ 644	\$ 670	\$ 705	\$ 739
30"W	AFS1330BSF	\$ 637	\$ 666	\$ 693	\$ 723	\$ 762	\$ 800
36"W	AFS1336BSF	\$ 668	\$ 699	\$ 730	\$ 760	\$ 802	\$ 843
42"W	AFS1342BSF	\$ 702	\$ 735	\$ 768	\$ 801	\$ 846	\$ 889
48"W	AFS1348BSF	\$ 739	\$ 775	\$ 801	\$ 846	\$ 893	\$ 941
54"W	AFS1354BSF	\$ 777	\$ 815	\$ 853	\$ 891	\$ 943	\$ 993
60"W	AFS1360BSF	\$ 811	\$ 851	\$ 892	\$ 932	\$ 986	\$ 1040
66"W	AFS1366BSF	\$ 853	\$ 896	\$ 939	\$ 983	\$ 1041	\$ 1098
72"W	AFS1372BSF	\$ 899	\$ 945	\$ 992	\$ 1038	\$ 1100	\$ 1161

**20"H Beam Mounted Center Screen — Fabric**

24"W	AFS2024BSF	\$ 681	\$ 713	\$ 744	\$ 776	\$ 819	\$ 861
30"W	AFS2030BSF	\$ 726	\$ 761	\$ 795	\$ 830	\$ 877	\$ 923
36"W	AFS2036BSF	\$ 759	\$ 796	\$ 833	\$ 870	\$ 919	\$ 968
42"W	AFS2042BSF	\$ 793	\$ 832	\$ 871	\$ 910	\$ 963	\$ 1015
48"W	AFS2048BSF	\$ 830	\$ 872	\$ 913	\$ 955	\$ 1011	\$ 1066
54"W	AFS2054BSF	\$ 869	\$ 913	\$ 957	\$ 1002	\$ 1061	\$ 1120
60"W	AFS2060BSF	\$ 910	\$ 957	\$ 1004	\$ 1051	\$ 1114	\$ 1177
66"W	AFS2066BSF	\$ 960	\$ 1010	\$ 1061	\$ 1111	\$ 1179	\$ 1246
72"W	AFS2072BSF	\$ 1014	\$ 1068	\$ 1122	\$ 1176	\$ 1249	\$ 1320

**28"H Beam Mounted Center Screen — Fabric**

24"W	AFS2824BSF	\$ 767	\$ 804	\$ 842	\$ 879	\$ 930	\$ 979
30"W	AFS2830BSF	\$ 820	\$ 861	\$ 902	\$ 943	\$ 998	\$ 1052
36"W	AFS2836BSF	\$ 858	\$ 902	\$ 945	\$ 989	\$ 1047	\$ 1105
42"W	AFS2842BSF	\$ 899	\$ 945	\$ 992	\$ 1038	\$ 1100	\$ 1161
48"W	AFS2848BSF	\$ 942	\$ 991	\$ 1040	\$ 1089	\$ 1156	\$ 1221
54"W	AFS2854BSF	\$ 988	\$ 1040	\$ 1092	\$ 1145	\$ 1215	\$ 1284
60"W	AFS2860BSF	\$ 1037	\$ 1093	\$ 1148	\$ 1204	\$ 1278	\$ 1352
66"W	AFS2866BSF	\$ 1042	\$ 1098	\$ 1154	\$ 1210	\$ 1285	\$ 1359
72"W	AFS2872BSF	\$ 1101	\$ 1161	\$ 1221	\$ 1280	\$ 1361	\$ 1440



Description	Model	List Price					
		Grade A	Grade B	Grade C	Grade D	Grade E	Grade F
<b>13"H Beam Mounted Modesty Screen — Fabric</b>							
24"W	AFS1324BMF	\$ 479	\$ 505	\$ 530	\$ 556	\$ 591	\$ 625
30"W	AFS1330BMF	\$ 523	\$ 552	\$ 580	\$ 609	\$ 648	\$ 686
36"W	AFS1336BMF	\$ 554	\$ 585	\$ 616	\$ 646	\$ 688	\$ 729
42"W	AFS1342BMF	\$ 588	\$ 621	\$ 654	\$ 687	\$ 732	\$ 775
48"W	AFS1348BMF	\$ 625	\$ 661	\$ 696	\$ 732	\$ 779	\$ 827
54"W	AFS1354BMF	\$ 663	\$ 701	\$ 739	\$ 777	\$ 829	\$ 879
60"W	AFS1360BMF	\$ 697	\$ 737	\$ 778	\$ 818	\$ 872	\$ 926
66"W	AFS1366BMF	\$ 739	\$ 782	\$ 825	\$ 869	\$ 927	\$ 984
72"W	AFS1372BMF	\$ 785	\$ 831	\$ 878	\$ 924	\$ 986	\$ 1047

**20"H Beam Mounted Modesty Screen — Fabric**

24"W	AFS2024BMF	\$ 567	\$ 599	\$ 630	\$ 662	\$ 705	\$ 747
30"W	AFS2030BMF	\$ 612	\$ 647	\$ 681	\$ 716	\$ 763	\$ 809
36"W	AFS2036BMF	\$ 645	\$ 682	\$ 719	\$ 756	\$ 805	\$ 854
42"W	AFS2042BMF	\$ 679	\$ 718	\$ 757	\$ 796	\$ 849	\$ 901
48"W	AFS2048BMF	\$ 716	\$ 758	\$ 799	\$ 841	\$ 897	\$ 952
54"W	AFS2054BMF	\$ 755	\$ 799	\$ 843	\$ 888	\$ 947	\$ 1006
60"W	AFS2060BMF	\$ 796	\$ 843	\$ 890	\$ 937	\$ 1000	\$ 1063
66"W	AFS2066BMF	\$ 846	\$ 896	\$ 947	\$ 997	\$ 1065	\$ 1132
72"W	AFS2072BMF	\$ 900	\$ 954	\$ 1008	\$ 1062	\$ 1135	\$ 1206

**How to specify —**

Select the Model Number from above.

**1st Option:**

**Fabric:**  
See pages 119.2-119.3 for fabrics.

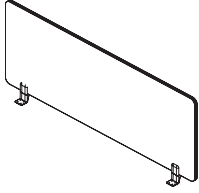
**2nd Option:**

**Paint Color:**  
P1 P2 P3  
See page 119.2 for finishes.

A F S | | | | | | | | | | .  
*Example:*

| | | | | | | | | | .  
| | | |

For specification information see pages [119.5-119.9](#).



Description	Model	List Price					
		Grade A	Grade B	Grade C	Grade D	Grade E	Grade F
<b>13"H Elevated Screen — Fabric</b>							
36"W	AFS1336DFS	\$ 636	\$ 662	\$ 689	\$ 715	\$ 751	\$ 786
42"W	AFS1342DFS	\$ 664	\$ 692	\$ 721	\$ 749	\$ 787	\$ 825
48"W	AFS1348DFS	\$ 694	\$ 724	\$ 755	\$ 785	\$ 826	\$ 866
54"W	AFS1354DFS	\$ 726	\$ 759	\$ 791	\$ 824	\$ 867	\$ 910
60"W	AFS1360DFS	\$ 761	\$ 796	\$ 831	\$ 866	\$ 913	\$ 959
66"W	AFS1366DFS	\$ 798	\$ 835	\$ 873	\$ 910	\$ 960	\$ 1010
72"W	AFS1372DFS	\$ 837	\$ 877	\$ 917	\$ 957	\$ 1011	\$ 1064

<b>20"H Elevated Screen — Fabric</b>							
36"W	AFS2036DFS	\$ 746	\$ 780	\$ 814	\$ 848	\$ 893	\$ 938
42"W	AFS2042DFS	\$ 783	\$ 819	\$ 856	\$ 892	\$ 941	\$ 989
48"W	AFS2048DFS	\$ 824	\$ 863	\$ 902	\$ 941	\$ 994	\$ 1046
54"W	AFS2054DFS	\$ 865	\$ 907	\$ 949	\$ 990	\$ 1047	\$ 1102
60"W	AFS2060DFS	\$ 914	\$ 959	\$ 1004	\$ 1049	\$ 1110	\$ 1170
66"W	AFS2066DFS	\$ 955	\$ 1003	\$ 1051	\$ 1099	\$ 1163	\$ 1227
72"W	AFS2072DFS	\$ 988	\$ 1038	\$ 1088	\$ 1138	\$ 1206	\$ 1272

<b>27"H Elevated Screen — Fabric</b>							
36"W	AFS2736DFS	\$ 860	\$ 899	\$ 939	\$ 978	\$ 1032	\$ 1084
42"W	AFS2742DFS	\$ 897	\$ 939	\$ 981	\$ 1023	\$ 1079	\$ 1135
48"W	AFS2748DFS	\$ 936	\$ 981	\$ 1025	\$ 1070	\$ 1130	\$ 1189
54"W	AFS2754DFS	\$ 978	\$ 1025	\$ 1073	\$ 1120	\$ 1184	\$ 1247
60"W	AFS2760DFS	\$ 1022	\$ 1072	\$ 1123	\$ 1173	\$ 1241	\$ 1308
66"W	AFS2766DFS	\$ 1076	\$ 1130	\$ 1184	\$ 1238	\$ 1311	\$ 1382
72"W	AFS2772DFS	\$ 1133	\$ 1191	\$ 1249	\$ 1306	\$ 1384	\$ 1461

Description	Model	List Price					
		Grade A	Grade B	Grade C	Grade D	Grade E	Grade F
<b>13"H Elevated HAT Screen — Fabric</b>							
34"W	AFS1334DFS	\$ 622	\$ 646	\$ 673	\$ 699	\$ 733	\$ 767
40"W	AFS1340DFS	\$ 649	\$ 676	\$ 704	\$ 731	\$ 768	\$ 804
46"W	AFS1346DFS	\$ 679	\$ 708	\$ 738	\$ 767	\$ 807	\$ 846
52"W	AFS1352DFS	\$ 710	\$ 741	\$ 773	\$ 804	\$ 847	\$ 888
58"W	AFS1358DFS	\$ 743	\$ 777	\$ 810	\$ 844	\$ 889	\$ 934
64"W	AFS1364DFS	\$ 779	\$ 815	\$ 851	\$ 887	\$ 936	\$ 984
70"W	AFS1370DFS	\$ 817	\$ 856	\$ 894	\$ 933	\$ 985	\$ 1036

<b>20"H Elevated HAT Screen — Fabric</b>							
34"W	AFS2034DFS	\$ 728	\$ 761	\$ 793	\$ 826	\$ 870	\$ 913
40"W	AFS2040DFS	\$ 764	\$ 799	\$ 834	\$ 869	\$ 916	\$ 963
46"W	AFS2046DFS	\$ 803	\$ 841	\$ 878	\$ 916	\$ 967	\$ 1017
52"W	AFS2052DFS	\$ 844	\$ 884	\$ 925	\$ 965	\$ 1020	\$ 1073
58"W	AFS2058DFS	\$ 894	\$ 938	\$ 982	\$ 1025	\$ 1084	\$ 1142
64"W	AFS2064DFS	\$ 934	\$ 980	\$ 1027	\$ 1073	\$ 1136	\$ 1198
70"W	AFS2070DFS	\$ 980	\$ 1030	\$ 1079	\$ 1129	\$ 1195	\$ 1261

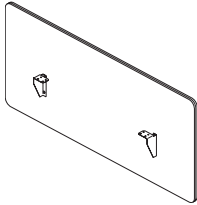
<b>27"H Elevated HAT Screen — Fabric</b>							
34"W	AFS2734DFS	\$ 842	\$ 880	\$ 919	\$ 957	\$ 1008	\$ 1059
40"W	AFS2740DFS	\$ 878	\$ 919	\$ 959	\$ 1000	\$ 1055	\$ 1109
46"W	AFS2746DFS	\$ 916	\$ 959	\$ 1002	\$ 1046	\$ 1104	\$ 1161
52"W	AFS2752DFS	\$ 957	\$ 1003	\$ 1049	\$ 1095	\$ 1157	\$ 1218
58"W	AFS2758DFS	\$ 1000	\$ 1049	\$ 1098	\$ 1147	\$ 1212	\$ 1277
64"W	AFS2764DFS	\$ 1048	\$ 1100	\$ 1152	\$ 1204	\$ 1274	\$ 1343
70"W	AFS2770DFS	\$ 1104	\$ 1160	\$ 1216	\$ 1272	\$ 1347	\$ 1421

UNIVERSAL SCREENS

<p><b>How to specify —</b> Select the Model Number from above.</p> <p>AFIS                                 .</p>	<p><b>1st Option:</b> <b>Fabric:</b> See pages <a href="#">119.2-119.3</a> for fabrics.</p> <p>                      .</p>	<p><b>2nd Option:</b> <b>Paint Color:</b> <b>P1 P2 P3</b> See page <a href="#">119.2</a> for finishes.</p> <p>          .</p>
--	--	---

Example:

For specification information see pages 119.5-119.9.



Description	Model	List Price					
		Grade A	Grade B	Grade C	Grade D	Grade E	Grade F
<b>27"H Above/Below Screen — Fabric</b>							
36"W	AFS2736DFS	\$ 810	\$ 848	\$ 886	\$ 924	\$ 976	\$ 1026
42"W	AFS2742DFS	\$ 846	\$ 887	\$ 927	\$ 968	\$ 1022	\$ 1076
48"W	AFS2748DFS	\$ 884	\$ 927	\$ 970	\$ 1013	\$ 1071	\$ 1129
54"W	AFS2754DFS	\$ 924	\$ 970	\$ 1016	\$ 1061	\$ 1123	\$ 1184
60"W	AFS2760DFS	\$ 967	\$ 1016	\$ 1064	\$ 1113	\$ 1179	\$ 1243
66"W	AFS2766DFS	\$ 1018	\$ 1070	\$ 1122	\$ 1174	\$ 1244	\$ 1313
72"W	AFS2772DFS	\$ 1074	\$ 1130	\$ 1186	\$ 1242	\$ 1317	\$ 1391

**34"H Above/Below Screen — Fabric**

Description	Model	List Price					
		Grade A	Grade B	Grade C	Grade D	Grade E	Grade F
36"W	AFS3436DTS	\$ 827	\$ 864	\$ 902	\$ 939	\$ 989	\$ 1038
42"W	AFS3442DTS	\$ 861	\$ 901	\$ 940	\$ 980	\$ 1033	\$ 1085
48"W	AFS3448DTS	\$ 898	\$ 940	\$ 982	\$ 1024	\$ 1081	\$ 1136
54"W	AFS3454DTS	\$ 1178	\$ 1239	\$ 1300	\$ 1360	\$ 1442	\$ 1523
60"W	AFS3460DTS	\$ 1232	\$ 1296	\$ 1361	\$ 1425	\$ 1512	\$ 1597
66"W	AFS3466DTS	\$ 1301	\$ 1370	\$ 1439	\$ 1508	\$ 1601	\$ 1693
72"W	AFS3472DTS	\$ 1341	\$ 1413	\$ 1484	\$ 1556	\$ 1653	\$ 1748

Description	Model	List Price					
		Grade A	Grade B	Grade C	Grade D	Grade E	Grade F
<b>27"H Above/Below HAT Screen — Fabric</b>							
34"W	AFS2734DTS	\$ 842	\$ 880	\$ 919	\$ 957	\$ 1008	\$ 1041
40"W	AFS2740DTS	\$ 878	\$ 896	\$ 938	\$ 980	\$ 1036	\$ 1092
46"W	AFS2746DTS	\$ 916	\$ 938	\$ 982	\$ 1027	\$ 1087	\$ 1146
52"W	AFS2752DTS	\$ 957	\$ 982	\$ 1030	\$ 1077	\$ 1141	\$ 1204
58"W	AFS2758DTS	\$ 1000	\$ 1029	\$ 1080	\$ 1130	\$ 1198	\$ 1265
64"W	AFS2764DTS	\$ 1048	\$ 1087	\$ 1141	\$ 1195	\$ 1268	\$ 1339
70"W	AFS2770DTS	\$ 1104	\$ 1148	\$ 1206	\$ 1263	\$ 1341	\$ 1418

**34"H Above/Below HAT Screen — Fabric**

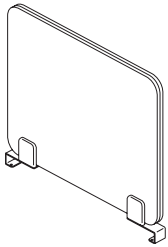
Description	Model	List Price					
		Grade A	Grade B	Grade C	Grade D	Grade E	Grade F
34"W	AFS3434DTS	\$ 784	\$ 821	\$ 859	\$ 896	\$ 946	\$ 995
40"W	AFS3440DTS	\$ 818	\$ 858	\$ 897	\$ 937	\$ 990	\$ 1042
46"W	AFS3446DTS	\$ 855	\$ 897	\$ 939	\$ 981	\$ 1038	\$ 1093
52"W	AFS3452DTS	\$ 1135	\$ 1196	\$ 1257	\$ 1317	\$ 1399	\$ 1480
58"W	AFS3458DTS	\$ 1189	\$ 1253	\$ 1318	\$ 1382	\$ 1469	\$ 1554
64"W	AFS3464DTS	\$ 1258	\$ 1327	\$ 1396	\$ 1465	\$ 1558	\$ 1650
70"W	AFS3470DTS	\$ 1298	\$ 1370	\$ 1441	\$ 1513	\$ 1610	\$ 1705

UNIVERSAL SCREENS

<p><b>How to specify —</b> Select the Model Number from above.</p> <p>AFS                     .</p>	<p><i>1st Option:</i> <b>Fabric:</b> See pages 119.2-119.3 for fabrics.</p> <p>          .</p>	<p><i>2nd Option:</i> <b>Paint Color:</b> P1 P2 P3 See page 119.2 for finishes.</p> <p>       </p>
---	--	--

Example:

For specification information see pages 119.5-119.9.



Description	Model	List Price					
		Grade A	Grade B	Grade C	Grade D	Grade E	Grade F
<b>13"H Front-to-Back — Fabric</b>							
21"W	AFS1321LDF	\$ 589	\$ 610	\$ 632	\$ 653	\$ 682	\$ 710
24"W	AFS1324LDF	\$ 612	\$ 635	\$ 658	\$ 681	\$ 711	\$ 742
27"W	AFS1327LDF	\$ 625	\$ 649	\$ 672	\$ 696	\$ 728	\$ 760
30"W	AFS1330LDF	\$ 651	\$ 676	\$ 702	\$ 727	\$ 762	\$ 796
36"W	AFS1336LDF	\$ 678	\$ 705	\$ 733	\$ 760	\$ 797	\$ 833
<b>20"H Front-to-Back — Fabric</b>							
21"W	AFS2021LDF	\$ 678	\$ 705	\$ 733	\$ 760	\$ 797	\$ 833
24"W	AFS2024LDF	\$ 703	\$ 732	\$ 761	\$ 790	\$ 829	\$ 867
27"W	AFS2027LDF	\$ 717	\$ 747	\$ 777	\$ 807	\$ 847	\$ 887
30"W	AFS2030LDF	\$ 740	\$ 771	\$ 803	\$ 834	\$ 877	\$ 918
36"W	AFS2036LDF	\$ 773	\$ 807	\$ 840	\$ 874	\$ 919	\$ 964
<b>27"H Front-to-Back — Fabric</b>							
21"W	AFS2721LDF	\$ 747	\$ 779	\$ 811	\$ 843	\$ 886	\$ 928
24"W	AFS2724LDF	\$ 777	\$ 811	\$ 845	\$ 879	\$ 924	\$ 969
27"W	AFS2727LDF	\$ 792	\$ 827	\$ 862	\$ 897	\$ 944	\$ 990
30"W	AFS2730LDF	\$ 825	\$ 862	\$ 899	\$ 936	\$ 986	\$ 1036
36"W	AFS2736LDF	\$ 860	\$ 899	\$ 939	\$ 978	\$ 1032	\$ 1084

Description	Model	List Price					
		Grade A	Grade B	Grade C	Grade D	Grade E	Grade F
<b>13"H Front-to-Back HAT Screen — Fabric</b>							
22"W	AFS1322LHF	\$ 600	\$ 622	\$ 644	\$ 666	\$ 696	\$ 725
28"W	AFS1328LHF	\$ 638	\$ 663	\$ 687	\$ 712	\$ 745	\$ 778
<b>20"H Front-to-Back HAT Screen — Fabric</b>							
22"W	AFS2022LHF	\$ 690	\$ 718	\$ 746	\$ 774	\$ 812	\$ 849
28"W	AFS2028LHF	\$ 724	\$ 754	\$ 785	\$ 815	\$ 856	\$ 896
<b>27"H Front-to-Back HAT Screen — Fabric</b>							
22"W	AFS2722LHF	\$ 761	\$ 794	\$ 827	\$ 860	\$ 904	\$ 947
28"W	AFS2728LHF	\$ 808	\$ 844	\$ 880	\$ 916	\$ 964	\$ 1012

**How to specify —**  
 Select the Model Number from above.

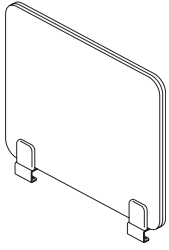
**1st Option:**  
**Fabric:**  
 See pages 119.2-119.3 for fabrics.

**2nd Option:**  
**Paint Color:**  
P1 P2 P3  
 See page 119.2 for finishes.

**A** | **F** | **S** | | | | | | | | | .

Example:

For specification information see pages 119.5-119.9.



Description	Model	List Price					
		Grade A	Grade B	Grade C	Grade D	Grade E	Grade F
<b>13"H Top Mount Screen — Fabric</b>							
21"W	AFS1321LDT	\$ 589	\$ 610	\$ 632	\$ 653	\$ 682	\$ 710
24"W	AFS1324LDT	\$ 612	\$ 635	\$ 658	\$ 681	\$ 711	\$ 742
27"W	AFS1327LDT	\$ 625	\$ 649	\$ 672	\$ 696	\$ 728	\$ 760
30"W	AFS1330LDT	\$ 651	\$ 676	\$ 702	\$ 727	\$ 762	\$ 796
36"W	AFS1336LDT	\$ 678	\$ 705	\$ 733	\$ 760	\$ 797	\$ 833

<b>20"H Top Mount Screen — Fabric</b>							
21"W	AFS2021LDT	\$ 678	\$ 705	\$ 733	\$ 760	\$ 797	\$ 833
24"W	AFS2024LDT	\$ 703	\$ 732	\$ 761	\$ 790	\$ 829	\$ 867
27"W	AFS2027LDT	\$ 717	\$ 747	\$ 777	\$ 807	\$ 847	\$ 887
30"W	AFS2030LDT	\$ 740	\$ 771	\$ 803	\$ 834	\$ 877	\$ 918
36"W	AFS2036LDT	\$ 773	\$ 807	\$ 840	\$ 874	\$ 919	\$ 964

Description	Model	List Price					
		Grade A	Grade B	Grade C	Grade D	Grade E	Grade F
<b>13"H Top Mount HAT Screen — Fabric</b>							
22"W	AFS1322LHT	\$ 600	\$ 622	\$ 644	\$ 666	\$ 696	\$ 725
28"W	AFS1328LHT	\$ 638	\$ 663	\$ 687	\$ 712	\$ 745	\$ 778

<b>20"H Top Mount HAT Screen — Fabric</b>							
22"W	AFS2022LHT	\$ 690	\$ 718	\$ 746	\$ 774	\$ 812	\$ 849
28"W	AFS2028LHT	\$ 724	\$ 754	\$ 785	\$ 815	\$ 856	\$ 896

<b>27"H Top Mount HAT Screen — Fabric</b>							
22"W	AFS2722LHT	\$ 761	\$ 794	\$ 827	\$ 860	\$ 904	\$ 947
28"W	AFS2728LHT	\$ 808	\$ 844	\$ 880	\$ 916	\$ 964	\$ 1012

**How to specify —**  
Select the Model Number from above.

*1st Option:*

**Fabric:**  
See pages 119.2-119.3 for fabrics.

*2nd Option:*

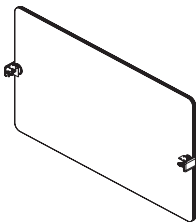
**Paint Color:**  
**P1 P2 P3**  
See page 119.2 for finishes.

AFS | | | | | | | | | | | | | | | | .

Example:



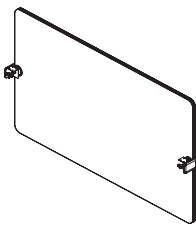
For specification information see pages 119.5-119.9.



Description	Model	List Price					
		Grade A	Grade B	Grade C	Grade D	Grade E	Grade F
<b>27"H Above/Below Screen — Fabric</b>							
36"W	AFS2736DTS	\$ 860	\$ 899	\$ 939	\$ 978	\$ 1032	\$ 1084
42"W	AFS2742DTS	\$ 897	\$ 939	\$ 981	\$ 1023	\$ 1079	\$ 1135
48"W	AFS2748DTS	\$ 936	\$ 981	\$ 1025	\$ 1070	\$ 1130	\$ 1189
54"W	AFS2754DTS	\$ 978	\$ 1025	\$ 1073	\$ 1120	\$ 1184	\$ 1247
60"W	AFS2760DTS	\$ 1022	\$ 1072	\$ 1123	\$ 1173	\$ 1241	\$ 1308
66"W	AFS2766DTS	\$ 1076	\$ 1130	\$ 1184	\$ 1238	\$ 1311	\$ 1382
72"W	AFS2772DTS	\$ 1133	\$ 1191	\$ 1249	\$ 1306	\$ 1384	\$ 1461

**34"H Above/Below Screen - Fabric**

Description	Model	List Price					
		Grade A	Grade B	Grade C	Grade D	Grade E	Grade F
36"W	AFS3436DTS	\$ 827	\$ 864	\$ 902	\$ 939	\$ 989	\$ 1038
42"W	AFS3442DTS	\$ 861	\$ 901	\$ 940	\$ 980	\$ 1033	\$ 1085
48"W	AFS3448DTS	\$ 898	\$ 940	\$ 982	\$ 1024	\$ 1081	\$ 1136
54"W	AFS3454DTS	\$ 1178	\$ 1239	\$ 1300	\$ 1360	\$ 1442	\$ 1523
60"W	AFS3460DTS	\$ 1232	\$ 1296	\$ 1361	\$ 1425	\$ 1532	\$ 1597
66"W	AFS3466DTS	\$ 1301	\$ 1370	\$ 1439	\$ 1508	\$ 1601	\$ 1693
72"W	AFS3472DTS	\$ 1341	\$ 1413	\$ 1484	\$ 1556	\$ 1653	\$ 1748



Description	Model	List Price					
		Grade A	Grade B	Grade C	Grade D	Grade E	Grade F
<b>27"H Above/Below Adjustable HAT Screen — Fabric</b>							
34"W	AFS2734DAS	\$ 799	\$ 837	\$ 876	\$ 914	\$ 965	\$ 1016
40"W	AFS2740DAS	\$ 835	\$ 876	\$ 916	\$ 957	\$ 1012	\$ 1066
46"W	AFS2746DAS	\$ 873	\$ 916	\$ 959	\$ 1003	\$ 1061	\$ 1118
52"W	AFS2752DAS	\$ 914	\$ 960	\$ 1006	\$ 1052	\$ 1114	\$ 1175
58"W	AFS2758DAS	\$ 957	\$ 1006	\$ 1055	\$ 1104	\$ 1169	\$ 1234
64"W	AFS2764DAS	\$ 1005	\$ 1057	\$ 1109	\$ 1161	\$ 1231	\$ 1300
70"W	AFS2770DAS	\$ 1061	\$ 1117	\$ 1173	\$ 1229	\$ 1304	\$ 1378

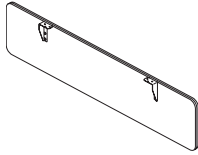
**34"H Above/Below Adjustable HAT Screen — Fabric**

Description	Model	List Price					
		Grade A	Grade B	Grade C	Grade D	Grade E	Grade F
34"W	AFS3434DAS	\$ 767	\$ 803	\$ 839	\$ 875	\$ 924	\$ 972
40"W	AFS3440DAS	\$ 801	\$ 839	\$ 878	\$ 916	\$ 968	\$ 1019
46"W	AFS3446DAS	\$ 837	\$ 878	\$ 919	\$ 959	\$ 1014	\$ 1069
52"W	AFS3452DAS	\$ 1108	\$ 1167	\$ 1226	\$ 1285	\$ 1364	\$ 1443
58"W	AFS3458DAS	\$ 1163	\$ 1226	\$ 1288	\$ 1351	\$ 1435	\$ 1519
64"W	AFS3464DAS	\$ 1223	\$ 1290	\$ 1356	\$ 1423	\$ 1513	\$ 1601
70"W	AFS3470DAS	\$ 1262	\$ 1331	\$ 1401	\$ 1470	\$ 1563	\$ 1655

<p><b>How to specify —</b> Select the Model Number from above.</p>	<p><i>1st Option:</i> <b>Fabric:</b> See pages 119.2-119.3 for fabrics.</p>	<p><i>2nd Option:</i> <b>Paint Color:</b> P1 P2 P3 See page 119.2 for finishes.</p>
A F S                 .	.	.

Example:

For specification information see pages [119.5-119.9](#).



Description	Model	List Price					
		Grade A	Grade B	Grade C	Grade D	Grade E	Grade F
<b>13"H Modesty Screen — Fabric</b>							
30"W	AFS1330MPD	\$ 699	\$ 728	\$ 756	\$ 785	\$ 824	\$ 862
36"W	AFS1336MPD	\$ 730	\$ 761	\$ 792	\$ 822	\$ 864	\$ 905
42"W	AFS1342MPD	\$ 764	\$ 797	\$ 830	\$ 863	\$ 908	\$ 951
48"W	AFS1348MPD	\$ 801	\$ 837	\$ 872	\$ 908	\$ 955	\$ 1003
54"W	AFS1354MPD	\$ 839	\$ 877	\$ 915	\$ 953	\$ 1005	\$ 1055
60"W	AFS1360MPD	\$ 873	\$ 913	\$ 954	\$ 994	\$ 1048	\$ 1102
66"W	AFS1366MPD	\$ 915	\$ 958	\$ 1001	\$ 1045	\$ 1103	\$ 1160
72"W	AFS1372MPD	\$ 961	\$ 1007	\$ 1054	\$ 1100	\$ 1162	\$ 1223

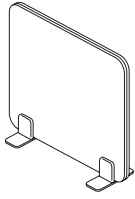
UNIVERSAL SCREENS

<p><b>How to specify —</b> Select the Model Number from above.</p> <p><b>A   F   S  </b>   .</p>	<p><b>1st Option:</b> <b>Fabric:</b> See pages <a href="#">119.2-119.3</a> for fabrics.</p> <p>  .</p>	<p><b>2nd Option:</b> <b>Paint Color:</b> <b>P1 P2 P3</b> See page <a href="#">119.2</a> for finishes.</p> <p>  .</p>
--	--	---

Example:



For specification information see pages 119.5-119.9.

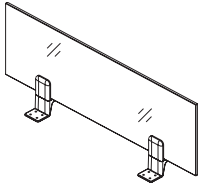


Description	Model	List Price					
		Grade A	Grade B	Grade C	Grade D	Grade E	Grade F
<b>13"H Sit-on-Surface Screen — Fabric</b>							
36"W	AFS1336SFS	\$ 577	\$ 604	\$ 632	\$ 659	\$ 696	\$ 732
42"W	AFS1342SFS	\$ 606	\$ 635	\$ 664	\$ 694	\$ 733	\$ 772
48"W	AFS1348SFS	\$ 637	\$ 668	\$ 700	\$ 731	\$ 773	\$ 815
54"W	AFS1354SFS	\$ 670	\$ 704	\$ 737	\$ 771	\$ 816	\$ 860
60"W	AFS1360SFS	\$ 706	\$ 742	\$ 778	\$ 814	\$ 862	\$ 910
66"W	AFS1366SFS	\$ 744	\$ 782	\$ 821	\$ 859	\$ 911	\$ 962
72"W	AFS1372SFS	\$ 785	\$ 826	\$ 867	\$ 909	\$ 964	\$ 1019
<b>20"H Sit-on-Surface Screen — Fabric</b>							
36"W	AFS2036SFS	\$ 672	\$ 706	\$ 739	\$ 773	\$ 818	\$ 863
42"W	AFS2042SFS	\$ 708	\$ 744	\$ 780	\$ 816	\$ 865	\$ 913
48"W	AFS2048SFS	\$ 746	\$ 785	\$ 823	\$ 862	\$ 914	\$ 965
54"W	AFS2054SFS	\$ 787	\$ 828	\$ 870	\$ 911	\$ 967	\$ 1022
60"W	AFS2060SFS	\$ 831	\$ 875	\$ 920	\$ 964	\$ 1024	\$ 1082
66"W	AFS2066SFS	\$ 878	\$ 925	\$ 973	\$ 1020	\$ 1084	\$ 1147
72"W	AFS2072SFS	\$ 929	\$ 980	\$ 1031	\$ 1082	\$ 1150	\$ 1218

<p><b>How to specify —</b> Select the Model Number from above.</p> <p><b>A   F   S</b>                     .</p> <p style="text-align: center;"><i>Example:</i></p>	<p><i>1st Option:</i> <b>Fabric:</b> See pages 119.2-119.3 for fabrics.</p> <p>                .</p>	<p><i>2nd Option:</i> <b>Paint Color:</b> P1 P2 P3 See page 119.2 for finishes.</p> <p>       </p>
---	--	--



For specification information see pages 119.5-119.9.



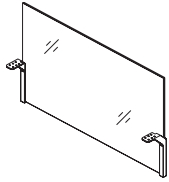
Description	Model	P1 Paint				P2 Paint			
		Clear	Frosted	Writable	Smoked	Clear	Frosted	Writable	Smoked
<b>13"H Elevated Mount Screen — Glass</b>									
36"W	AGS1336DFS	\$ 914	\$ 1013	\$ 1013	\$ 997	\$ 927	\$ 1026	\$ 1026	\$ 1010
42"W	AGS1342DFS	\$ 969	\$ 1076	\$ 1076	\$ 1059	\$ 982	\$ 1089	\$ 1089	\$ 1072
48"W	AGS1348DFS	\$ 989	\$ 1099	\$ 1099	\$ 1081	\$ 1002	\$ 1112	\$ 1112	\$ 1094
54"W	AGS1354DFS	\$ 1054	\$ 1174	\$ 1174	\$ 1154	\$ 1067	\$ 1187	\$ 1187	\$ 1167
60"W	AGS1360DFS	\$ 1092	\$ 1218	\$ 1218	\$ 1197	\$ 1105	\$ 1231	\$ 1231	\$ 1210
66"W	AGS1366DFS	\$ 1207	\$ 1350	\$ 1350	\$ 1326	\$ 1220	\$ 1363	\$ 1363	\$ 1339
72"W	AGS1372DFS	\$ 1240	\$ 1388	\$ 1388	\$ 1363	\$ 1253	\$ 1401	\$ 1401	\$ 1376
<b>20"H Elevated Mount Screen — Glass</b>									
36"W	AGS2036DFS	\$ 955	\$ 1060	\$ 1060	\$ 1043	\$ 968	\$ 1073	\$ 1073	\$ 1056
42"W	AGS2042DFS	\$ 1029	\$ 1145	\$ 1145	\$ 1126	\$ 1042	\$ 1158	\$ 1158	\$ 1139
48"W	AGS2048DFS	\$ 1071	\$ 1194	\$ 1194	\$ 1173	\$ 1084	\$ 1207	\$ 1207	\$ 1186
54"W	AGS2054DFS	\$ 1141	\$ 1274	\$ 1274	\$ 1252	\$ 1154	\$ 1287	\$ 1287	\$ 1265
60"W	AGS2060DFS	\$ 1190	\$ 1331	\$ 1331	\$ 1307	\$ 1203	\$ 1344	\$ 1344	\$ 1320
66"W	AGS2066DFS	\$ 1304	\$ 1462	\$ 1462	\$ 1435	\$ 1317	\$ 1475	\$ 1475	\$ 1448
72"W	AGS2072DFS	\$ 1334	\$ 1496	\$ 1496	\$ 1469	\$ 1347	\$ 1509	\$ 1509	\$ 1482

Description	Model	P1 Paint				P2 Paint			
		Clear	Frosted	Writable	Smoked	Clear	Frosted	Writable	Smoked
<b>13"H Elevated HAT Screen — Glass</b>									
34"W	AGS1334DFS	\$ 914	\$ 1013	\$ 1013	\$ 997	\$ 927	\$ 1026	\$ 1026	\$ 1010
40"W	AGS1340DFS	\$ 969	\$ 1076	\$ 1076	\$ 1059	\$ 982	\$ 1089	\$ 1089	\$ 1072
46"W	AGS1346DFS	\$ 989	\$ 1099	\$ 1099	\$ 1081	\$ 1002	\$ 1112	\$ 1112	\$ 1094
52"W	AGS1352DFS	\$ 1054	\$ 1174	\$ 1174	\$ 1154	\$ 1067	\$ 1187	\$ 1187	\$ 1167
58"W	AGS1358DFS	\$ 1092	\$ 1218	\$ 1218	\$ 1197	\$ 1105	\$ 1231	\$ 1231	\$ 1210
64"W	AGS1364DFS	\$ 1207	\$ 1350	\$ 1350	\$ 1326	\$ 1220	\$ 1363	\$ 1363	\$ 1339
70"W	AGS1370DFS	\$ 1240	\$ 1388	\$ 1388	\$ 1363	\$ 1253	\$ 1401	\$ 1401	\$ 1376
<b>20"H Elevated HAT Screen — Glass</b>									
34"W	AGS2034DFS	\$ 955	\$ 1060	\$ 1060	\$ 1043	\$ 968	\$ 1073	\$ 1073	\$ 1056
40"W	AGS2040DFS	\$ 1029	\$ 1145	\$ 1145	\$ 1126	\$ 1042	\$ 1158	\$ 1158	\$ 1139
46"W	AGS2046DFS	\$ 1071	\$ 1194	\$ 1194	\$ 1173	\$ 1084	\$ 1207	\$ 1207	\$ 1186
52"W	AGS2052DFS	\$ 1141	\$ 1274	\$ 1274	\$ 1252	\$ 1154	\$ 1287	\$ 1287	\$ 1265
58"W	AGS2058DFS	\$ 1190	\$ 1331	\$ 1331	\$ 1307	\$ 1203	\$ 1344	\$ 1344	\$ 1320
64"W	AGS2064DFS	\$ 1304	\$ 1462	\$ 1462	\$ 1435	\$ 1317	\$ 1475	\$ 1475	\$ 1448
70"W	AGS2070DFS	\$ 1334	\$ 1496	\$ 1496	\$ 1469	\$ 1347	\$ 1509	\$ 1509	\$ 1482

<p><i>How to specify —</i> Select the Model Number from above.</p>	<p><i>1st Option:</i> <b>Glass:</b> LC Clear LF Frosted LM Writable GSM1 Smoked</p>	<p><i>2nd Option:</i> <b>Paint Color:</b> P1 P2 P3 See page 119.2 for finishes.</p>
<p>AGS   .</p>	<p>                .</p>	<p>            .</p>

Example:

For specification information see pages 119.5-119.9.



Description	Model	P1 Paint				P2 Paint			
		Clear	Frosted	Writable	Smoked	Clear	Frosted	Writable	Smoked
<b>25"H Above/Below Screen — Glass</b>									
36"W	AGS2536DFS	\$ 999	\$ 1115	\$ 1115	\$ 1095	\$ 1010	\$ 1126	\$ 1126	\$ 1106
42"W	AGS2542DFS	\$ 1095	\$ 1225	\$ 1225	\$ 1203	\$ 1106	\$ 1336	\$ 1336	\$ 1214
48"W	AGS2548DFS	\$ 1163	\$ 1303	\$ 1303	\$ 1280	\$ 1174	\$ 1314	\$ 1314	\$ 1291
54"W	AGS2554DFS	\$ 1241	\$ 1393	\$ 1393	\$ 1368	\$ 1252	\$ 1404	\$ 1404	\$ 1379
60"W	AGS2560DFS	\$ 1304	\$ 1465	\$ 1465	\$ 1439	\$ 1315	\$ 1415	\$ 1415	\$ 1390

*How to specify —*  
Select the Model Number from above.

*1st Option:*

- Glass:**  
 LC Clear  
 LF Frosted  
 LM Writable  
 GSM1 Smoked

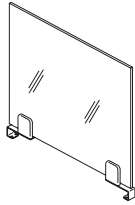
*2nd Option:*

**Paint Color:**  
 P1 P2 P3  
 See page 119.2 for finishes.

AGS | | | | | | | | | | | | | | | | | | | | | | .

*Example:*

For specification information see pages 119.5-119.9.



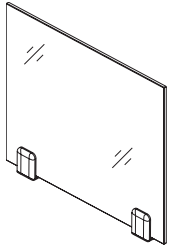
Description	Model	P1 Paint				P2 Paint			
		Clear	Frosted	Writable	Smoked	Clear	Frosted	Writable	Smoked
<b>13"H Front-to-Back Screen — Glass</b>									
21"W	AGS1321LDF	\$ 861	\$ 950	\$ 950	\$ 935	\$ 875	\$ 964	\$ 964	\$ 944
24"W	AGS1324LDF	\$ 884	\$ 976	\$ 976	\$ 961	\$ 898	\$ 990	\$ 990	\$ 975
27"W	AGS1327LDF	\$ 890	\$ 983	\$ 983	\$ 967	\$ 904	\$ 997	\$ 997	\$ 981
30"W	AGS1330LDF	\$ 895	\$ 989	\$ 989	\$ 973	\$ 909	\$ 1003	\$ 1003	\$ 987
36"W	AGS1336LDF	\$ 932	\$ 1031	\$ 1031	\$ 1015	\$ 946	\$ 1045	\$ 1045	\$ 1029
<b>20"H Front-to-Back Screen — Glass</b>									
21"W	AGS2021LDF	\$ 926	\$ 1024	\$ 1024	\$ 1008	\$ 940	\$ 1059	\$ 1059	\$ 1043
24"W	AGS2024LDF	\$ 952	\$ 1054	\$ 1054	\$ 1034	\$ 966	\$ 1068	\$ 1068	\$ 1048
27"W	AGS2027LDF	\$ 959	\$ 1062	\$ 1062	\$ 1045	\$ 973	\$ 1076	\$ 1076	\$ 1059
30"W	AGS2030LDF	\$ 964	\$ 1068	\$ 1068	\$ 1051	\$ 978	\$ 1082	\$ 1082	\$ 1065
36"W	AGS2036LDF	\$ 1005	\$ 1115	\$ 1115	\$ 1097	\$ 1019	\$ 1129	\$ 1129	\$ 1111

Description	Model	P1 Paint				P2 Paint			
		Clear	Frosted	Writable	Smoked	Clear	Frosted	Writable	Smoked
<b>13"H Front-to-Back HAT Screen — Glass</b>									
22"W	AGS1322LHF	\$ 861	\$ 950	\$ 950	\$ 935	\$ 875	\$ 964	\$ 964	\$ 949
28"W	AGS1328LHF	\$ 890	\$ 983	\$ 983	\$ 967	\$ 904	\$ 997	\$ 997	\$ 981
<b>20"H Front-to-Back HAT Screen — Glass</b>									
22"W	AGS2022LHF	\$ 926	\$ 1024	\$ 1024	\$ 1008	\$ 940	\$ 1038	\$ 1038	\$ 1022
28"W	AGS2028LHF	\$ 959	\$ 1062	\$ 1062	\$ 1045	\$ 973	\$ 1076	\$ 1076	\$ 1059

<p><b>How to specify —</b> Select the Model Number from above.</p>	<p><i>1st Option:</i> <b>Glass:</b> LC Clear LF Frosted LM Writable GSM1 Smoked</p>	<p><i>2nd Option:</i> <b>Paint Color:</b> P1 P2 P3 See page 119.2 for finishes.</p>
<p>AGS                     .  </p>	<p>          .  </p>	<p>         </p>

Example:

For specification information see pages 119.5-119.9.



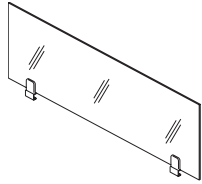
Description	Model	P1 Paint				P2 Paint			
		Clear	Frosted	Writable	Smoked	Clear	Frosted	Writable	Smoked
<b>13"H Top Mount Screen — Glass</b>									
21"W	AGS1321LDT	\$ 861	\$ 950	\$ 950	\$ 935	\$ 875	\$ 964	\$ 964	\$ 944
24"W	AGS1324LDT	\$ 884	\$ 976	\$ 976	\$ 961	\$ 898	\$ 990	\$ 990	\$ 975
27"W	AGS1327LDT	\$ 890	\$ 983	\$ 983	\$ 967	\$ 904	\$ 997	\$ 997	\$ 981
30"W	AGS1330LDT	\$ 895	\$ 989	\$ 989	\$ 973	\$ 909	\$ 1003	\$ 1003	\$ 987
36"W	AGS1336LDT	\$ 932	\$ 1031	\$ 1031	\$ 1015	\$ 946	\$ 1045	\$ 1045	\$ 1029
<b>20"H Top Mount Screen — Glass</b>									
21"W	AGS2021LDT	\$ 926	\$ 1024	\$ 1024	\$ 1008	\$ 940	\$ 1059	\$ 1059	\$ 1043
24"W	AGS2024LDT	\$ 952	\$ 1054	\$ 1054	\$ 1034	\$ 966	\$ 1068	\$ 1068	\$ 1048
27"W	AGS2027LDT	\$ 959	\$ 1062	\$ 1062	\$ 1045	\$ 973	\$ 1076	\$ 1076	\$ 1059
30"W	AGS2030LDT	\$ 964	\$ 1068	\$ 1068	\$ 1051	\$ 978	\$ 1082	\$ 1082	\$ 1065
36"W	AGS2036LDT	\$ 1005	\$ 1115	\$ 1115	\$ 1097	\$ 1019	\$ 1129	\$ 1129	\$ 1111

Description	Model	P1 Paint				P2 Paint			
		Clear	Frosted	Writable	Smoked	Clear	Frosted	Writable	Smoked
<b>13"H Top Mount HAT Screen — Glass</b>									
22"W	AGS1322LHT	\$ 861	\$ 950	\$ 950	\$ 935	\$ 875	\$ 964	\$ 964	\$ 949
28"W	AGS1328LHT	\$ 890	\$ 983	\$ 983	\$ 967	\$ 904	\$ 997	\$ 997	\$ 981
<b>20"H Top Mount HAT Screen — Glass</b>									
22"W	AGS2022LHT	\$ 926	\$ 1024	\$ 1024	\$ 1008	\$ 940	\$ 1038	\$ 1038	\$ 1022
28"W	AGS2028LHT	\$ 959	\$ 1062	\$ 1062	\$ 1045	\$ 973	\$ 1076	\$ 1076	\$ 1059

<p><b>How to specify —</b> Select the Model Number from above.</p>	<p><b>1st Option:</b> <b>Glass:</b> LC Clear LF Frosted LM Writable GSM1 Smoked</p>	<p><b>2nd Option:</b> <b>Paint Color:</b> P1 P2 P3 See page 119.2 for finishes.</p>
<p>AGS                                       .</p>	<p>                  .</p>	<p>          .</p>

*Example:*

For specification information see pages 119.5-119.9.



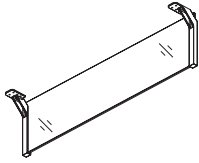
Description	Model	P1 Paint				P2 Paint			
		Clear	Frosted	Writable	Smoked	Clear	Frosted	Writable	Smoked
<b>13"H Side Mount Screen — Glass</b>									
21"W	AGS1321LDS	\$ 861	\$ 950	\$ 950	\$ 935	\$ 875	\$ 964	\$ 964	\$ 944
24"W	AGS1324LDS	\$ 884	\$ 976	\$ 976	\$ 961	\$ 898	\$ 990	\$ 990	\$ 975
27"W	AGS1327LDS	\$ 890	\$ 983	\$ 983	\$ 967	\$ 904	\$ 997	\$ 997	\$ 981
30"W	AGS1330LDS	\$ 895	\$ 989	\$ 989	\$ 973	\$ 909	\$ 1003	\$ 1003	\$ 987
36"W	AGS1336LDS	\$ 932	\$ 1031	\$ 1031	\$ 1015	\$ 946	\$ 1045	\$ 1045	\$ 1029
<b>20"H Side Mount Screen — Glass</b>									
21"W	AGS2021LDS	\$ 926	\$ 1024	\$ 1024	\$ 1008	\$ 940	\$ 1059	\$ 1059	\$ 1043
24"W	AGS2024LDS	\$ 952	\$ 1054	\$ 1054	\$ 1034	\$ 966	\$ 1068	\$ 1068	\$ 1048
27"W	AGS2027LDS	\$ 959	\$ 1062	\$ 1062	\$ 1045	\$ 973	\$ 1076	\$ 1076	\$ 1059
30"W	AGS2030LDS	\$ 964	\$ 1068	\$ 1068	\$ 1051	\$ 978	\$ 1082	\$ 1082	\$ 1065
36"W	AGS2036LDS	\$ 1005	\$ 1115	\$ 1115	\$ 1097	\$ 1019	\$ 1129	\$ 1129	\$ 1111

Description	Model	P1 Paint				P2 Paint			
		Clear	Frosted	Writable	Smoked	Clear	Frosted	Writable	Smoked
<b>13"H Side Mount HAT Screen — Glass</b>									
22"W	AGS1322LHS	\$ 861	\$ 950	\$ 950	\$ 935	\$ 875	\$ 964	\$ 964	\$ 949
28"W	AGS1328LHS	\$ 890	\$ 983	\$ 983	\$ 967	\$ 904	\$ 997	\$ 997	\$ 981
<b>20"H Side Mount HAT Screen — Glass</b>									
22"W	AGS2022LHS	\$ 926	\$ 1024	\$ 1024	\$ 1008	\$ 940	\$ 1038	\$ 1038	\$ 1022
28"W	AGS2028LHS	\$ 959	\$ 1062	\$ 1062	\$ 1045	\$ 973	\$ 1076	\$ 1076	\$ 1059

<p><b>How to specify —</b> Select the Model Number from above.</p>	<p><b>1st Option:</b> <b>Glass:</b> LC Clear LF Frosted LM Writable GSM1 Smoked</p>	<p><b>2nd Option:</b> <b>Paint Color:</b> P1 P2 P3 See page 119.2 for finishes.</p>
<p>AGS                                   .</p>	<p>          .</p>	<p>        .</p>

*Example:*

For specification information see pages [119.5-119.9](#).



Description	Model	P1 Paint				P2 Paint			
		Clear	Frosted	Writable	Smoked	Clear	Frosted	Writable	Smoked
<b>11"H Modesty Screen — Glass</b>									
36"W	AGS1136MPD	\$ 889	\$ 988	\$ 988	\$ 972	\$ 900	\$ 999	\$ 999	\$ 983
42"W	AGS1142MPD	\$ 944	\$ 1051	\$ 1051	\$ 1034	\$ 955	\$ 1062	\$ 1062	\$ 1045
48"W	AGS1148MPD	\$ 964	\$ 1074	\$ 1074	\$ 1056	\$ 975	\$ 1085	\$ 1085	\$ 1067
54"W	AGS1154MPD	\$ 1029	\$ 1149	\$ 1149	\$ 1129	\$ 1040	\$ 1160	\$ 1160	\$ 1140
60"W	AGS1160MPD	\$ 1067	\$ 1193	\$ 1193	\$ 1172	\$ 1078	\$ 1204	\$ 1204	\$ 1183

UNIVERSAL SCREENS

<p><i>How to specify —</i> Select the Model Number from above.</p>	<p><i>1st Option:</i> <b>Glass:</b> LC Clear LF Frosted LM Writable GSM1 Smoked</p>	<p><i>2nd Option:</i> <b>Paint Color:</b> <b>P1</b> <b>P2</b> <b>P3</b> See page <a href="#">119.2</a> for finishes.</p>
--	---	--

AGS | | | | | | | | | | .

Example:













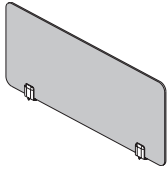








For specification information see pages 119.5-119.9.

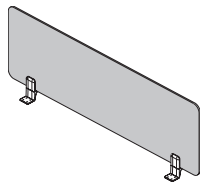


Description	Model	List Price		
		L1	L2	L3
<b>13"H Beam Mounted Center Screen — Laminate</b>				
24"W	ALS1324BSF	\$ 363	\$ 371	\$ 375
30"W	ALS1330BSF	\$ 380	\$ 389	\$ 394
36"W	ALS1336BSF	\$ 379	\$ 388	\$ 393
42"W	ALS1342BSF	\$ 387	\$ 397	\$ 401
48"W	ALS1348BSF	\$ 395	\$ 405	\$ 410
54"W	ALS1354BSF	\$ 465	\$ 479	\$ 486
60"W	ALS1360BSF	\$ 475	\$ 490	\$ 497
66"W	ALS1366BSF	\$ 554	\$ 573	\$ 582
72"W	ALS1372BSF	\$ 572	\$ 592	\$ 601
<b>20"H Beam Mounted Center Screen — Laminate</b>				
24"W	ALS2024BSF	\$ 450	\$ 463	\$ 470
30"W	ALS2030BSF	\$ 460	\$ 474	\$ 480
36"W	ALS2036BSF	\$ 469	\$ 483	\$ 490
42"W	ALS2042BSF	\$ 478	\$ 493	\$ 500
48"W	ALS2048BSF	\$ 488	\$ 503	\$ 511
54"W	ALS2054BSF	\$ 567	\$ 587	\$ 596
60"W	ALS2060BSF	\$ 577	\$ 597	\$ 607
66"W	ALS2066BSF	\$ 690	\$ 716	\$ 729
72"W	ALS2072BSF	\$ 700	\$ 727	\$ 740
<b>28"H Beam Mounted Center Screen — Laminate</b>				
24"W	ALS2824BSF	\$ 522	\$ 539	\$ 557
30"W	ALS2830BSF	\$ 532	\$ 550	\$ 558
36"W	ALS2836BSF	\$ 543	\$ 561	\$ 570
42"W	ALS2842BSF	\$ 553	\$ 572	\$ 581
48"W	ALS2848BSF	\$ 564	\$ 584	\$ 593
54"W	ALS2854BSF	\$ 832	\$ 866	\$ 882
60"W	ALS2860BSF	\$ 843	\$ 878	\$ 894
66"W	ALS2866BSF	\$ 1066	\$ 1113	\$ 1135
72"W	ALS2872BSF	\$ 1086	\$ 1134	\$ 1157

<p><i>How to specify —</i> Select the Model Number from above.</p>	<p><i>1st Option:</i> <b>FSC:</b> F FSC Wood X Non-FSC Wood</p>	<p><i>2nd Option:</i> <b>Laminate:</b> See page 119.2 for finishes.</p>	<p><i>3rd Option:</i> <b>Edge:</b> See page 119.2 for finishes.</p>	<p><i>4th Option:</i> <b>Grain Direction:</b> VLG Horizontal VST Vertical</p>	<p><i>5th Option:</i> <b>Paint Color:</b> P1 P2 P3 See page 119.2 for finishes.</p>	<p><i>6th Option:</i> <b>Corner:</b> SQ Square RD Round</p>
	<p>ALS                     .     .</p>	<p>    .</p>	<p>          .</p>	<p>      .</p>	<p>V       .</p>	<p>    .</p>

Example:

For specification information see pages 119.5-119.9.



Description	Model	List Price		
		L1	L2	L3
<b>13"H Elevated Screen — Laminate</b>				
36"W	ALS1336DFS	\$ 406	\$ 414	\$ 418
42"W	ALS1342DFS	\$ 414	\$ 423	\$ 427
48"W	ALS1348DFS	\$ 422	\$ 431	\$ 436
54"W	ALS1354DFS	\$ 464	\$ 476	\$ 481
60"W	ALS1360DFS	\$ 472	\$ 484	\$ 490
66"W	ALS1366DFS	\$ 533	\$ 548	\$ 556
72"W	ALS1372DFS	\$ 551	\$ 567	\$ 575

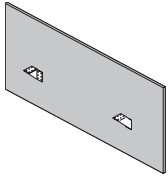
<b>20"H Elevated Screen — Laminate</b>				
36"W	ALS2036DFS	\$ 474	\$ 486	\$ 492
42"W	ALS2042DFS	\$ 483	\$ 496	\$ 502
48"W	ALS2048DFS	\$ 492	\$ 505	\$ 511
54"W	ALS2054DFS	\$ 606	\$ 625	\$ 635
60"W	ALS2060DFS	\$ 615	\$ 635	\$ 644
66"W	ALS2066DFS	\$ 730	\$ 756	\$ 769
72"W	ALS2072DFS	\$ 749	\$ 776	\$ 789

Description	Model	List Price		
		L1	L2	L3
<b>13"H Elevated HAT Screen — Laminate</b>				
34"W	ALS1334DFS	\$ 416	\$ 425	\$ 429
40"W	ALS1340DFS	\$ 411	\$ 420	\$ 424
46"W	ALS1346DFS	\$ 419	\$ 428	\$ 432
52"W	ALS1352DFS	\$ 462	\$ 473	\$ 479
58"W	ALS1358DFS	\$ 470	\$ 482	\$ 488
64"W	ALS1364DFS	\$ 530	\$ 545	\$ 552
70"W	ALS1370DFS	\$ 548	\$ 564	\$ 572

<b>20"H Elevated HAT Screen — Laminate</b>				
34"W	ALS2034DFS	\$ 471	\$ 483	\$ 499
40"W	ALS2040DFS	\$ 480	\$ 492	\$ 498
46"W	ALS2046DFS	\$ 489	\$ 502	\$ 508
52"W	ALS2052DFS	\$ 633	\$ 654	\$ 664
58"W	ALS2058DFS	\$ 612	\$ 632	\$ 641
64"W	ALS2064DFS	\$ 727	\$ 753	\$ 765
70"W	ALS2070DFS	\$ 746	\$ 773	\$ 786

<p><b>How to specify —</b> Select the Model Number from above.</p> <p>ALS                                     .</p>	<p><b>1st Option:</b> <b>FSC:</b> F FSC Wood X Non-FSC Wood</p>	<p><b>2nd Option:</b> <b>Laminate:</b> See page 119.2 for finishes.</p>	<p><b>3rd Option:</b> <b>Edge:</b> See page 119.2 for finishes.</p>	<p><b>4th Option:</b> <b>Grain Direction:</b> VLG Horizontal VST Vertical</p>	<p><b>5th Option:</b> <b>Paint Color:</b> P1 P2 P3 See page 119.2 for finishes.</p>	<p><b>6th Option:</b> <b>Corner:</b> SQ Square RD Round</p>
	<p>Example:</p>					

For specification information see pages 119.5-119.9.



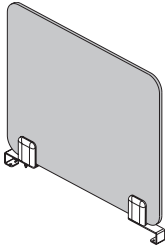
Description	Model	List Price		
		L1	L2	L3
<b>27"H Above/Below Screen — Laminate</b>				
36"W	ALS2736DFS	\$ 603	\$ 621	\$ 630
42"W	ALS2742DFS	\$ 619	\$ 638	\$ 647
48"W	ALS2748DFS	\$ 637	\$ 657	\$ 667
54"W	ALS2754DFS	\$ 655	\$ 676	\$ 686
60"W	ALS2760DFS	\$ 674	\$ 696	\$ 707
66"W	ALS2766DFS	\$ 694	\$ 717	\$ 728
72"W	ALS2772DFS	\$ 715	\$ 739	\$ 751

Description	Model	List Price		
		L1	L2	L3
<b>27"H Above/Below HAT Screen — Laminate</b>				
34"W	ALS2734DFS	\$ 600	\$ 618	\$ 627
40"W	ALS2740DFS	\$ 611	\$ 630	\$ 639
46"W	ALS2746DFS	\$ 628	\$ 648	\$ 657
52"W	ALS2752DFS	\$ 646	\$ 667	\$ 676
58"W	ALS2758DFS	\$ 664	\$ 686	\$ 696
64"W	ALS2764DFS	\$ 684	\$ 707	\$ 717
70"W	ALS2770DFS	\$ 705	\$ 729	\$ 740

<p><b>How to specify —</b> Select the Model Number from above.</p>	<p><b>1st Option:</b> <b>FSC:</b> F FSC Wood X Non-FSC Wood</p>	<p><b>2nd Option:</b> <b>Laminate:</b> See page 119.2 for finishes.</p>	<p><b>3rd Option:</b> <b>Edge:</b> See page 119.2 for finishes.</p>	<p><b>4th Option:</b> <b>Grain Direction:</b> VLG Horizontal VST Vertical</p>	<p><b>5th Option:</b> <b>Paint Color:</b> P1 P2 P3 See page 119.2 for finishes.</p>	<p><b>6th Option:</b> <b>Corner:</b> SQ Square RD Round</p>
<p>ALS                     .</p>	<p>  .</p>	<p>          .</p>	<p>      .</p>	<p>V       .</p>	<p>  .</p>	<p>    .</p>

Example:

For specification information see pages 119.5-119.9.



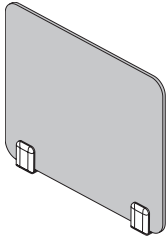
Description	Model	List Price		
		L1	L2	L3
<b>13"H Front-to-Back Screen — Laminate</b>				
21"W	ALS1321LDF	\$ 368	\$ 373	\$ 376
24"W	ALS1324LDF	\$ 423	\$ 431	\$ 435
27"W	ALS1327LDF	\$ 427	\$ 436	\$ 440
30"W	ALS1330LDF	\$ 431	\$ 440	\$ 444
36"W	ALS1336LDF	\$ 439	\$ 448	\$ 453
<b>20"H Front-to-Back Screen — Laminate</b>				
21"W	ALS2021LDF	\$ 430	\$ 439	\$ 443
24"W	ALS2024LDF	\$ 510	\$ 523	\$ 529
27"W	ALS2027LDF	\$ 515	\$ 528	\$ 535
30"W	ALS2030LDF	\$ 520	\$ 534	\$ 540
36"W	ALS2036LDF	\$ 529	\$ 543	\$ 550
<b>27"H Front-to-Back Screen — Laminate</b>				
21"W	ALS2721LDF	\$ 459	\$ 469	\$ 474
24"W	ALS2724LDF	\$ 582	\$ 599	\$ 607
27"W	ALS2727LDF	\$ 587	\$ 604	\$ 613
30"W	ALS2730LDF	\$ 592	\$ 610	\$ 618
36"W	ALS2736LDF	\$ 603	\$ 621	\$ 630

Description	Model	List Price		
		L1	L2	L3
<b>13"H Front-to-Back HAT Screen — Laminate</b>				
22"W	ALS1322LHF	\$ 370	\$ 375	\$ 378
28"W	ALS1328LHF	\$ 428	\$ 437	\$ 441
<b>20"H Front-to-Back HAT Screen — Laminate</b>				
22"W	ALS2022LHF	\$ 419	\$ 427	\$ 431
28"W	ALS2028LHF	\$ 517	\$ 531	\$ 537
<b>27"H Front-to-Back HAT Screen — Laminate</b>				
22"W	ALS2722LHF	\$ 472	\$ 483	\$ 488
28"W	ALS2728LHF	\$ 589	\$ 606	\$ 615

<p><i>How to specify —</i> Select the Model Number from above.</p> <p>AL S                     .</p>	<p><i>1st Option:</i> <b>FSC:</b> F FSC Wood X Non-FSC Wood</p> <p>  .</p>	<p><i>2nd Option:</i> <b>Laminate:</b> See page 119.2 for finishes.</p> <p>        .</p>	<p><i>3rd Option:</i> <b>Edge:</b> See page 119.2 for finishes.</p> <p>      .</p>	<p><i>4th Option:</i> <b>Grain Direction:</b> VLG Horizontal VST Vertical</p> <p>V       .</p>	<p><i>5th Option:</i> <b>Paint Color:</b> P1 P2 P3 See page 119.2 for finishes.</p> <p>  .</p>	<p><i>6th Option:</i> <b>Corner:</b> SQ Square RD Round</p> <p>      .</p>
--	--	--	--	--	--	--

*Example:*

For specification information see pages 119.5-119.9.



Description	Model	List Price		
		L1	L2	L3
<b>13"H Top Mount Screen — Laminate</b>				
21"W	ALS1321LDT	\$ 368	\$ 373	\$ 376
24"W	ALS1324LDT	\$ 423	\$ 431	\$ 435
27"W	ALS1327LDT	\$ 427	\$ 436	\$ 440
30"W	ALS1330LDT	\$ 431	\$ 440	\$ 444
36"W	ALS1336LDT	\$ 439	\$ 448	\$ 453
<b>20"H Top Mount Screen — Laminate</b>				
21"W	ALS2021LDT	\$ 430	\$ 439	\$ 443
24"W	ALS2024LDT	\$ 510	\$ 523	\$ 529
27"W	ALS2027LDT	\$ 515	\$ 528	\$ 535
30"W	ALS2030LDT	\$ 520	\$ 534	\$ 540
36"W	ALS2036LDT	\$ 529	\$ 543	\$ 550
<b>27"H Top Mount Screen — Laminate</b>				
21"W	ALS2721LDT	\$ 459	\$ 469	\$ 474
24"W	ALS2724LDT	\$ 582	\$ 599	\$ 607
27"W	ALS2727LDT	\$ 587	\$ 604	\$ 613
30"W	ALS2730LDT	\$ 592	\$ 610	\$ 618
36"W	ALS2736LDT	\$ 603	\$ 621	\$ 630

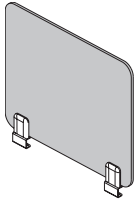
Description	Model	List Price		
		L1	L2	L3
<b>13"H Top Mount HAT Screen — Laminate</b>				
22"W	ALS1322LHT	\$ 370	\$ 375	\$ 378
28"W	ALS1328LHT	\$ 428	\$ 437	\$ 441
<b>20"H Top Mount HAT Screen — Laminate</b>				
22"W	ALS2022LHT	\$ 419	\$ 427	\$ 431
28"W	ALS2028LHT	\$ 517	\$ 531	\$ 537
<b>27"H Top Mount HAT Screen — Laminate</b>				
22"W	ALS2722LHT	\$ 472	\$ 483	\$ 488
28"W	ALS2728LHT	\$ 589	\$ 606	\$ 615

UNIVERSAL SCREENS

<p><b>How to specify —</b> Select the Model Number from above.</p>	<p><b>1st Option:</b> <b>FSC:</b> F FSC Wood X Non-FSC Wood</p>	<p><b>2nd Option:</b> <b>Laminate:</b> See page 119.2 for finishes.</p>	<p><b>3rd Option:</b> <b>Edge:</b> See page 119.2 for finishes.</p>	<p><b>4th Option:</b> <b>Grain Direction:</b> VLG Horizontal VST Vertical</p>	<p><b>5th Option:</b> <b>Paint Color:</b> P1 P2 P3 See page 119.2 for finishes.</p>	<p><b>6th Option:</b> <b>Corner:</b> SQ Square RD Round</p>
<p>ALS                       .</p>	<p>  .</p>	<p>          .</p>	<p>      .</p>	<p>V       .</p>	<p>  .</p>	<p>     </p>

Example:

For specification information see pages 119.5-119.9.



Description	Model	List Price		
		L1	L2	L3
<b>13"H Side Mount Screen — Laminate</b>				
21"W	ALS1321LDS	\$ 368	\$ 373	\$ 376
24"W	ALS1324LDS	\$ 423	\$ 431	\$ 435
27"W	ALS1327LDS	\$ 427	\$ 436	\$ 440
30"W	ALS1330LDS	\$ 431	\$ 440	\$ 444
36"W	ALS1336LDS	\$ 439	\$ 448	\$ 453
<b>20"H Side Mount Screen — Laminate</b>				
21"W	ALS2021LDS	\$ 430	\$ 439	\$ 443
24"W	ALS2024LDS	\$ 510	\$ 523	\$ 529
27"W	ALS2027LDS	\$ 515	\$ 528	\$ 535
30"W	ALS2030LDS	\$ 520	\$ 534	\$ 540
36"W	ALS2036LDS	\$ 529	\$ 543	\$ 550
<b>27"H Side Mount Screen — Laminate</b>				
21"W	ALS2721LDS	\$ 459	\$ 469	\$ 474
24"W	ALS2724LDS	\$ 582	\$ 599	\$ 607
27"W	ALS2727LDS	\$ 587	\$ 604	\$ 613
30"W	ALS2730LDS	\$ 592	\$ 610	\$ 618
36"W	ALS2736LDS	\$ 603	\$ 621	\$ 630

Description	Model	List Price		
		L1	L2	L3
<b>13"H Side Mount HAT Screen — Laminate</b>				
22"W	ALS1322LHS	\$ 370	\$ 375	\$ 378
28"W	ALS1328LHS	\$ 428	\$ 437	\$ 441
<b>20"H Side Mount HAT Screen — Laminate</b>				
22"W	ALS2022LHS	\$ 419	\$ 427	\$ 431
28"W	ALS2028LHS	\$ 517	\$ 531	\$ 537
<b>27"H Side Mount HAT Screen — Laminate</b>				
22"W	ALS2722LHS	\$ 472	\$ 483	\$ 488
28"W	ALS2728LHS	\$ 589	\$ 606	\$ 615

<p><b>How to specify —</b> Select the Model Number from above.</p>	<p><b>1st Option:</b> <b>FSC:</b> F FSC Wood X Non-FSC Wood</p>	<p><b>2nd Option:</b> <b>Laminate:</b> See page 119.2 for finishes.</p>	<p><b>3rd Option:</b> <b>Edge:</b> See page 119.2 for finishes.</p>	<p><b>4th Option:</b> <b>Grain Direction:</b> VLG Horizontal VST Vertical</p>	<p><b>5th Option:</b> <b>Paint Color:</b> P1 P2 P3 See page 119.2 for finishes.</p>	<p><b>6th Option:</b> <b>Corner:</b> SQ Square RD Round</p>
<p>ALS                           .</p>	<p>  .</p>	<p>          .</p>	<p>      .</p>	<p>V         .</p>	<p>  .</p>	<p>      .</p>

Example:

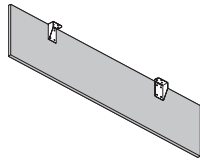
# Universal Screens

## Modesty Screens

Laminate

GSA SIN 33721

For specification information see pages 119.5-119.9.

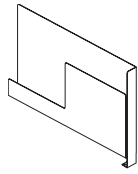


Description	Model	List Price		
		L1	L2	L3
<b>13"H Modesty Screen — Laminate</b>				
30"W	ALS1330MPD	\$ 442	\$ 451	\$ 456
36"W	ALS1336MPD	\$ 441	\$ 450	\$ 455
42"W	ALS1342MPD	\$ 449	\$ 459	\$ 463
48"W	ALS1348MPD	\$ 457	\$ 467	\$ 472
54"W	ALS1354MPD	\$ 527	\$ 541	\$ 548
60"W	ALS1360MPD	\$ 537	\$ 552	\$ 559
66"W	ALS1366MPD	\$ 616	\$ 635	\$ 644
72"W	ALS1372MPD	\$ 634	\$ 654	\$ 663

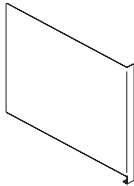
UNIVERSAL SCREENS

<p><b>How to specify —</b> Select the Model Number from above.</p> <p>ALS                             .</p>	<p><b>1st Option:</b> <b>FSC:</b> F FSC Wood X Non-FSC Wood</p>	<p><b>2nd Option:</b> <b>Laminate:</b> See page 119.2 for finishes.</p>	<p><b>3rd Option:</b> <b>Edge:</b> See page 119.2 for finishes.</p>	<p><b>4th Option:</b> <b>Grain Direction:</b> VLG Horizontal VST Vertical</p>	<p><b>5th Option:</b> <b>Paint Color:</b> P1 P2 P3 See page 119.2 for finishes.</p>	<p><b>6th Option:</b> <b>Corner:</b> SQ Square RD Round</p>
---	---	---	---	---	---	---

Example:



Left shown



Right shown

Description	Model	List Price		
		P1	P2	P3
<b>Metal Lateral Organizers</b>				
20"H x 20"W, Left Handed	U6BL2021ML	\$ ???	\$ ???	\$ ???
20"H x 20"W, Right Handed	U6BL2021MR	\$ ???	\$ ???	\$ ???
27"H x 20"W, Left Handed	U6BL2027ML	\$ ???	\$ ???	\$ ???
27"H x 20"W, Right Handed	U6BL2027MR	\$ ???	\$ ???	\$ ???

**Notes:** Clamps to back edge of worksurface at 20"H and 27"H.

Screen is designed to sit back from front edge of worksurface.

Space for folders is 1½" and holds approximately 340 sheets of paper.

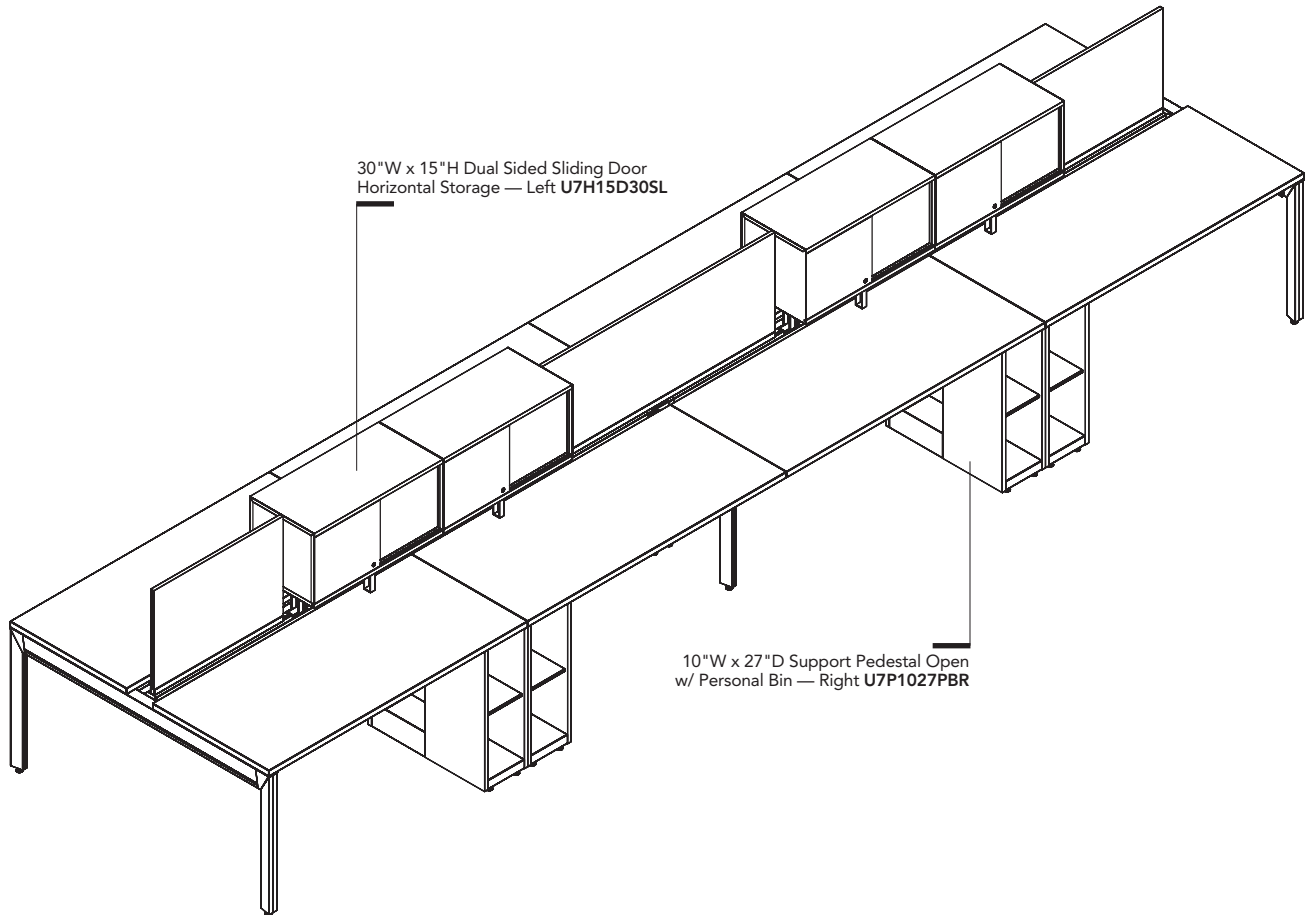
Folder storage is one-sided — LH and RH options available.



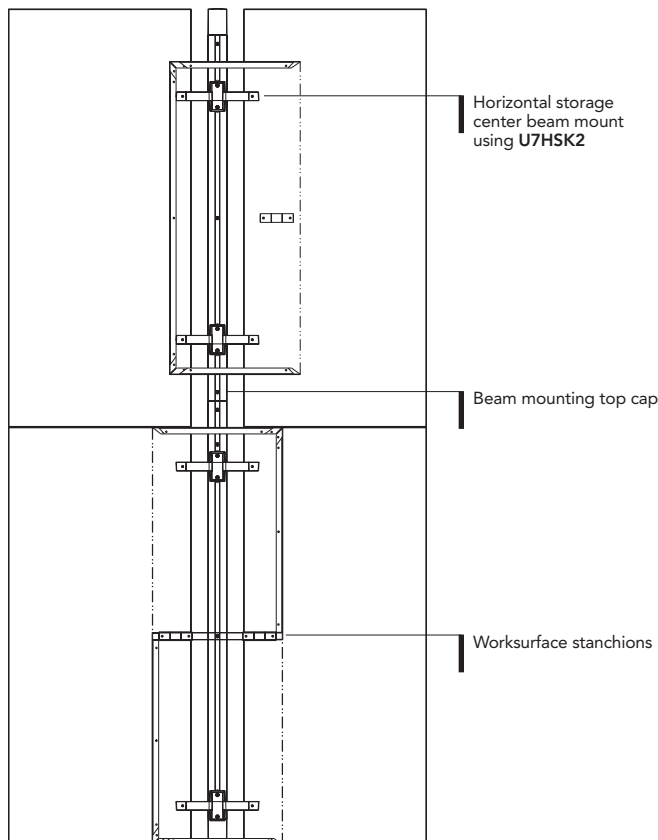
# Notes

---

UNIVERSAL SCREENS



Top View



### All Storage

- All storage is made from ¾" thick with particleboard core with top and bottom surfaces finished in laminate. Horizontal storage sides and back are painted steel.
- Edge band is made of 1mm thick ABS plastic — flat edge trim only.
- Cam and pin construction. Storage is plinth base only unless unit is mobile.
- Available in solid and woodgrain laminates, models with doors or drawers are available with a two-tone option.
- Pull options: arch, square, linear, straight. All standard in PR6 Silver.
- Locks have a silver finish.

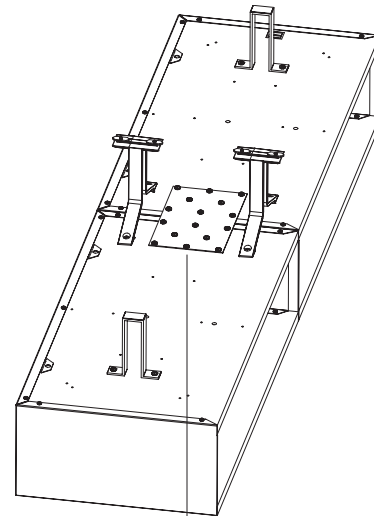
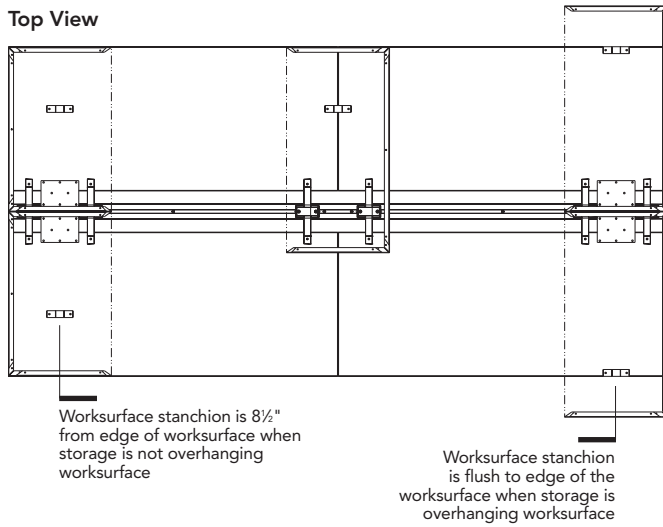
### Horizontal Storage

- Available in open and sliding door models, as single sided or dual sided.
- Top and bottom are laminate, sides and back are painted steel.
- Beam mounting top cap must be used, length must match length of beam.
- Horizontal storage cannot be panel or wall mounted.
- Units cannot be mounted directly on worksurface, requires stanchion kit ordered separately. Kit includes stanchions and installation hardware.
- Laterally mounted storage can overhang worksurface a maximum of 12". Worksurface stanchion is flush to edge of the worksurface when storage is overhanging worksurface, and is 8½" from edge of worksurface when storage is not overhanging worksurface.
- Beam mounted lateral stanchion kit (4-pack) U7HSK2 is used for single standard mounted storage or for dual laterally mounted storage. Kit includes ganging bracket for dual mounted storage units. See illustration and matrix at left.
- Beam mounted stanchion (2-pack) U7HSB2 is used for mounting a laminate shelf to beam. See illustrations and matrix on page 121.

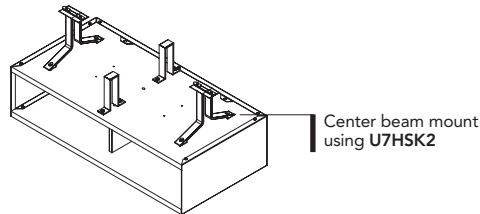
FURTHER

## Mounting Horizontal Storage

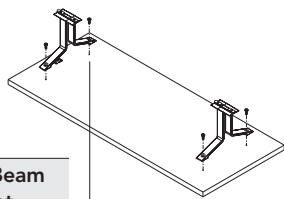
Top View



Kit U7HSK2 includes ganging bracket for dual mounted storage units

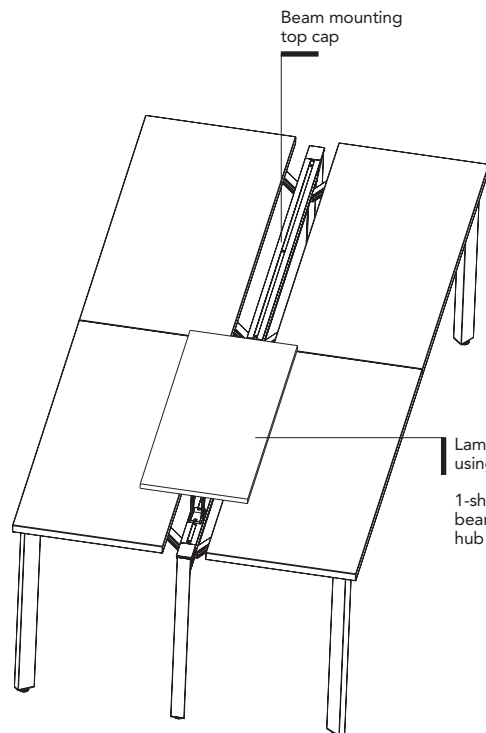


Storage Width	Center Beam Mount	Dual Lateral with 21" D Worksurfaces	Dual Lateral with 27" D Worksurfaces
24"	U7HSK2	U7HSK2	U7HSK2
30"	U7HSK2	U7HSK2	U7HSK2
36"	U7HSK2	U7HSK2	U7HSK2
42"	U7HSK2	N/A	U7HSK2
48"	U7HSK2	N/A	N/A
54"	U7HSK2	N/A	N/A
60"	U7HSK2	N/A	N/A
72"	U7HSK2	N/A	N/A



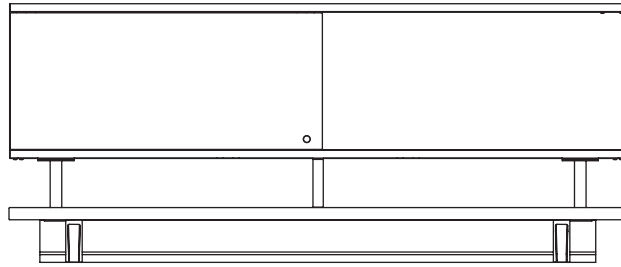
Beam mounted stanchion (2-pack) U7HSB2 is used for mounting laminate shelf to beam

Shelf Width	Center Beam Mount
24"	U7HSB2
30"	U7HSB2
36"	U7HSB2
42"	U7HSB2

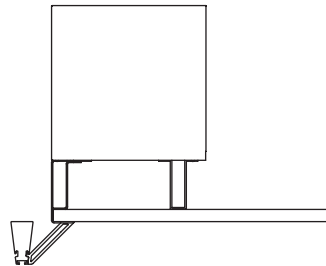


## Mounting Horizontal Storage with Surface Mounted

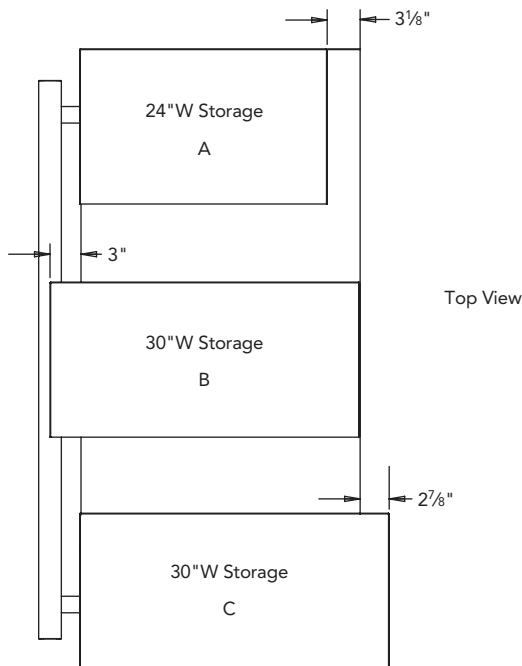
### Worksurface Storage Stanchion Kit U7HSK1



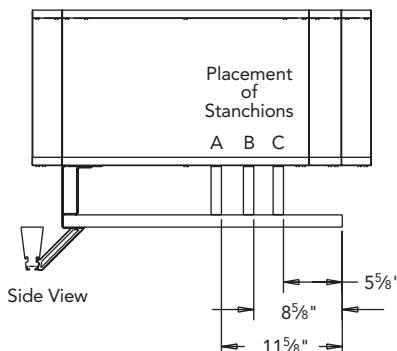
Front View



Side View



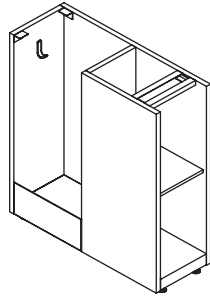
Top View



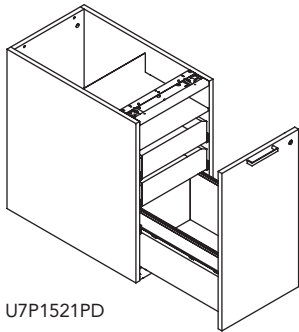
Side View

### Worksurface Storage Stanchion Kit — U7HSK1 (page 124)

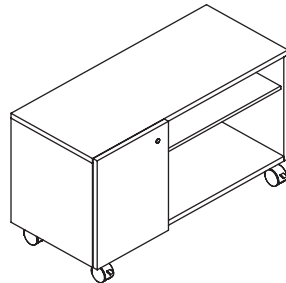
- Allows for use with beam mounted screens in conjunction with horizontal storage.
- Works with single sided applications such as aisle ways or up against a wall.
- Back stanchions mount to underside of worksurface — no pilot holes on surface.
- Back stanchions are made of 10 gauge steel.
- Front stanchion rests on worksurface top.
- Front stanchion is aluminum extrusion.
- Storage unit can be mounted such that back of unit is flush with back edge of worksurface or such that back of unit is centered on beam.
- When locating flush to back edge of worksurface uses pilot holes on bottom of horizontal storage to locate stanchions for proper support; no pilot holes for when mounting on beam centerline.
- Extending storage unit beyond beam centerline is not recommended — should be using standard beam mounted stanchion kit U7HSK2.
- Can be used to mount horizontal storage either parallel with beam or perpendicular to beam.
- Can be used with 7½"H or 15"H storage
  - 7½"H aligns to 13½"H Further screens/42½"H towers
  - 15"H aligns to Further 20"H screens/50"H towers
- Recommended for use only on tethered set ups.



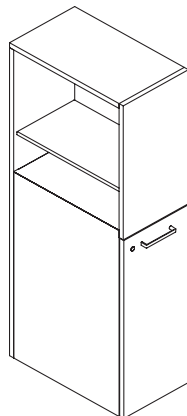
U7P1027PBR



U7P1521PD



U7MC203615HL



U7T501221ADR

### Open Support Pedestals (page 125)

- Constructed of laminate, shelves are painted steel.
- Open Support Pedestals may be used to add additional stability — see Further Stability Requirements on page 76.
- Support pedestals may be used to create freestanding desks, storage depth must match worksurface depth.
- 27" D models have a coat/bag hook located in back of unit.

### Pull-Out Drawer Support Pedestal (page 125)

- Case is constructed of laminate and painted steel.
- Box and file drawers are miter fold, ½" thick particle board, polypropylene wrapped.
- Configuration is box/box/file and one shelf at top of unit.
- Shelf is not adjustable but can be removed.
- All drawers hidden behind single laminate front.
- Straight, linear, arch and square pulls available as options.
- 1/8" leveling.
- Cannot be used as a freestanding, standalone unit.
- Outside overall dimensions: 15½" W and 21" or 27" D
- Box drawers extend 16" for both model depths.
- File drawers extend 16" on 21" D models and 20" on 27" D models.
- Front to back filing, standard letter size
- One lock, located in upper right hand corner of drawer front.
- Two-tone laminate option for drawer fronts
- Can be used to make a freestanding desk.

### Mobile Credenza (page 125)

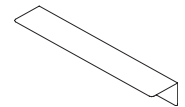
- Constructed of laminate, shelf is painted steel.
- Mobile credenza has a hinged door with lock, no pull.
- Front casters are locking, back casters are non-locking.

### Side Access Towers (page 126)

- Top and sides are laminate, shelves are painted steel.
- Side Access Towers may be used to add additional stability — see Further Stability Requirements on page 76.
- 12" wide towers must be attached to a worksurface.
- Z6LB tower "L" bracket required when supporting a worksurface with a tower — storage depth must match worksurface depth.
- Tower drawers do not extend fully — 27" D towers have a 25" D drawer with 20" travel slides; 21" D towers have a 19" D drawer with 16" travel slides.
- 27" D models have a coat/bag hook located in back of drawer.

### "L" Tower Bracket (page 126)

- Z6LB tower "L" bracket required when supporting a worksurface with a tower.
- Storage depth must match worksurface depth.

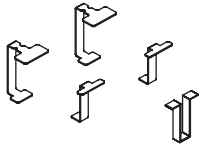


# Storage

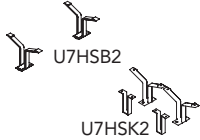
## Further™ — Horizontal and Beam-Mounted Storage Stanchion

For specification information see pages 120-123.

GSA SIN 33721



Description	Model	List Price		
		P1	P2	P3
<b>Worksurface Storage Stanchion</b>				
Horizontal Storage Single Sided Stanchion Kit	U7HSK1	\$ 439	\$ 450	\$ 459



Description	Model	List Price		
		P1	P2	P3
<b>Beam Mounted Storage Stanchions</b>				
Shelf Stanchion Kit 2-Pack	U7HSB2 <input type="checkbox"/>	\$ 262	\$ 273	\$ 282
Horizontal Storage Stanchion Kit 4-Pack	U7HSK2 <input type="checkbox"/>	\$ 530	\$ 543	\$ 556

*How to specify —*  
Select the Model Number from above.

*1st Option:*  
**Paint**  
(if applicable):  
 P1  P2  P3

U7H | | | | .

| | | |

Examples U7HSK1.PR6

Shippable by small-package carrier.

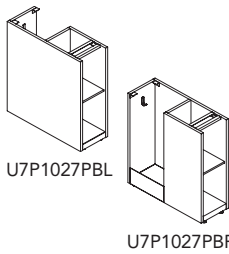
# Storage

## Further™ — Pedestals and Credenzas

Laminate

For specification information see pages 120-123.

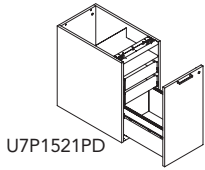
GSA SIN 33721



U7P1027PBL

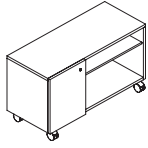
U7P1027PBR

Description	Model	List Price		
		L1	L2	L3
<b>Open Support Pedestal — 10"W x 28"H</b>				
27"D w/Personal Bin Left	U7P1027PBL [S]	\$ 2087	\$ 2159	\$ 2230
27"D w/Personal Bin Right	U7P1027PBR	\$ 2087	\$ 2159	\$ 2230



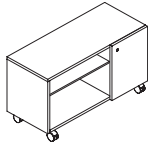
U7P1521PD

<b>Pull-Out Drawer Support Pedestal — 15"W x 28"H</b>				
21"D — Shelf/Box/Box/File	U7P1521PD [S]	\$ 2544	\$ 2631	\$ 2720



U7MC203615HL

<b>Mobile Credenza — 15"D x 20"H</b>				
36"W — Hinged Door Left	U7MC203615HL [S]	\$ 3150	\$ 3257	\$ 3367
36"W — Hinged Door Right	U7MC203615HR [S]	\$ 3150	\$ 3257	\$ 3367



U7MC203615HR

Description	Model	List Price											
		Grade 1	Grade 2	Grade 3	Grade 4	Grade 5	Grade 6	Grade 7	Grade 8	Grade 9	Grade 10	Grade 11	Grade 12
<b>Seat Cushion — For Further Mobile Credenza only (Specify seating fabric — no leathers)</b>													
36"W x 15"D	K5CT1536SC	\$ 386	\$ 420	\$ 454	\$ 488	\$ 533	\$ 578	\$ 623	\$ 668	\$ 713	\$ 759	\$ 804	\$ 849

FURTHER

<p><b>How to specify —</b> Select the Model Number from above.</p> <p>U 7                     .      </p>	<p><b>1st Option:</b> Pull Type (if applicable):</p> <p>AP Arch HP Straight (Involve) LP Linear SP Square</p>	<p><b>2nd Option:</b> Pull Color (if applicable):</p> <p>PRO Anodized Silver</p>	<p><b>3rd Option:</b> Metal Shelves Paint Color (if applicable):</p> <p>[P1] [P2] [P3]</p> <p>Upcharge:</p> <table border="1" style="width: 100%; border-collapse: collapse;"> <thead> <tr> <th></th> <th>P2</th> <th>P3</th> </tr> </thead> <tbody> <tr> <td>Open/21"D Pull-Out</td> <td>\$ 17</td> <td>\$ 36</td> </tr> <tr> <td>Open w/Bin/27"D Pull-Out</td> <td>\$ 20</td> <td>\$ 44</td> </tr> <tr> <td>Credenza</td> <td>\$ 20</td> <td>\$ 45</td> </tr> </tbody> </table>		P2	P3	Open/21"D Pull-Out	\$ 17	\$ 36	Open w/Bin/27"D Pull-Out	\$ 20	\$ 44	Credenza	\$ 20	\$ 45	<p><b>4th Option:</b> FSC Certified Wood (if applicable):</p> <p>FSC Select for FSC Certified Wood X No FSC</p>
	P2	P3														
Open/21"D Pull-Out	\$ 17	\$ 36														
Open w/Bin/27"D Pull-Out	\$ 20	\$ 44														
Credenza	\$ 20	\$ 45														

Continued below ▼

<p><b>5th Option:</b> Laminate (if applicable):</p>	<p><b>6th Option:</b> Matching Edge (if applicable):</p>	<p><b>7th Option:</b> Door Laminate (if applicable):</p>	<p><b>8th Option:</b> Matching Edge (if applicable):</p>	<p><b>9th Option:</b> Lock Option (if applicable):</p> <p>STD Standard OMT Omit Lock Core (deduct \$18)</p>	<p><b>10th Option:</b> Lock Color (if applicable):</p> <p>EL Silver</p>	<p><b>Only Option for Seat Cushion:</b> Specify Seating Upholstery</p>
					E   L	

Examples: U7P1027PBL.PR6.FSC.LM11EV.LM11EV.STDEL  
K5CT1536SC.PNS012

[S] Shippable by small-package carrier.

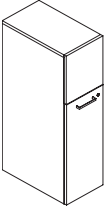
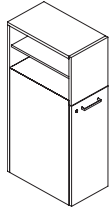
# Storage

## Further™ — Side Access Towers

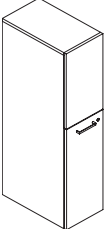
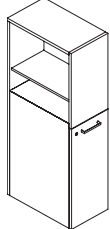
Laminate

GSA SIN 33721

For specification information see pages 120-123.

U7T421227ADL	Description	Model	List Price		
			L1	L2	L3
	<b>42½"H Side Access Towers — 12"W</b>				
	27"D w/Left Hand Side Access	U7T421227ADL <input type="checkbox"/>	\$ 3757	\$ 3886	\$ 4017
	27"D w/Right Hand Side Access	U7T421227ADR <input type="checkbox"/>	\$ 3757	\$ 3886	\$ 4017

U7T421227ADR

U7T501221ADL	Description	Model	List Price		
			L1	L2	L3
	<b>50"H Side Access Towers — 12"W</b>				
	21"D w/Left Hand Side Access (shown)	U7T501221ADL <input type="checkbox"/>	\$ 3820	\$ 3951	\$ 4085
	27"D w/Left Hand Side Access	U7T501227ADL <input type="checkbox"/>	\$ 3983	\$ 4120	\$ 4260
	21"D w/Right Hand Side Access (shown)	U7T501221ADR <input type="checkbox"/>	\$ 3820	\$ 3951	\$ 4085
	27"D w/Right Hand Side Access	U7T501227ADR <input type="checkbox"/>	\$ 3983	\$ 4120	\$ 4260

U7T501221ADR

Description	Model	P1 Paint	P2 Paint
		List Price	List Price
<b>"L" Tower Bracket — for Towers</b>			
"L" Tower Bracket for 21"D or 27"D	Z6LB	\$ 72	\$ 89



<b>How to specify —</b> Select the Model Number from above.	<b>1st Option:</b> <b>Pull Type</b> (if applicable): AP Arch Pull LP Linear Pull SP Square Pull HP Straight Pull (Involve)	<b>2nd Option:</b> <b>Paint Color:</b> <b>Arch Pull</b> E4 Black EL Silver <b>Linear and Straight Pull</b> PRO Anodized Silver <b>Square Pull</b> EL Silver	<b>3rd Option:</b> <b>Metal Shelves</b> <b>Paint Color</b> (if applicable): P1 P2 P3 Upcharge: P2 \$31 P3 \$73	<b>4th Option:</b> <b>FSC Certified Wood</b> (if applicable): FSC Select for FSC Certified Wood X No FSC
	_____ . _____	_____ . _____	_____ . _____	_____ . _____

Continued below ▼

<b>5th Option:</b> <b>Laminate</b> (if applicable): _____	<b>6th Option:</b> <b>Matching Edge</b> (if applicable): _____ . _____	<b>7th Option:</b> <b>Door Laminate</b> (if applicable): _____	<b>8th Option:</b> <b>Matching Edge</b> (if applicable): _____ . _____	<b>9th Option:</b> <b>Lock Option</b> (if applicable): STD Standard OMT Omit Lock Core (deduct \$18) _____	<b>10th Option:</b> <b>Lock Color</b> (if applicable): EL Silver E L
--	---	---	---	---	--

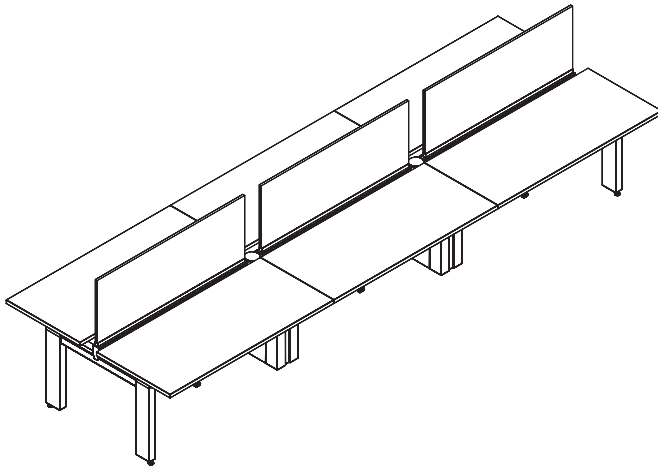
Examples: **U7T421227ADL.SPEL.FSC.LM11EV.LM11EV.STDEL Z6LB.PR6**  Shippable by small-package carrier.



A full gallery of typicals from each Allsteel system can be found on our website:

<https://www.allsteeloffice.com/design-resources/idea-starters>.

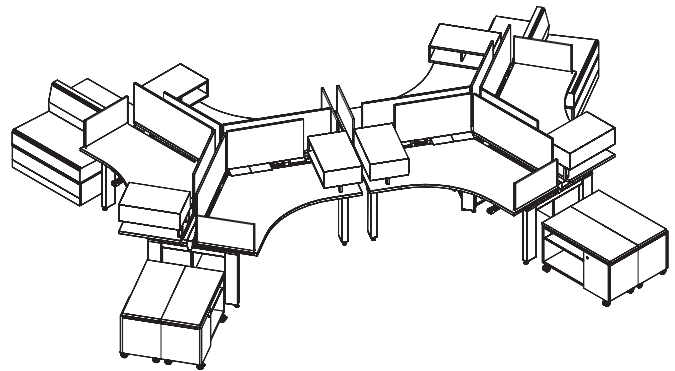
Each typical includes a complete BOM with current pricing, downloadable CAD files and PDFs of each drawing.



**Further Height-Adjustable Bench 2'-6" x 5'**

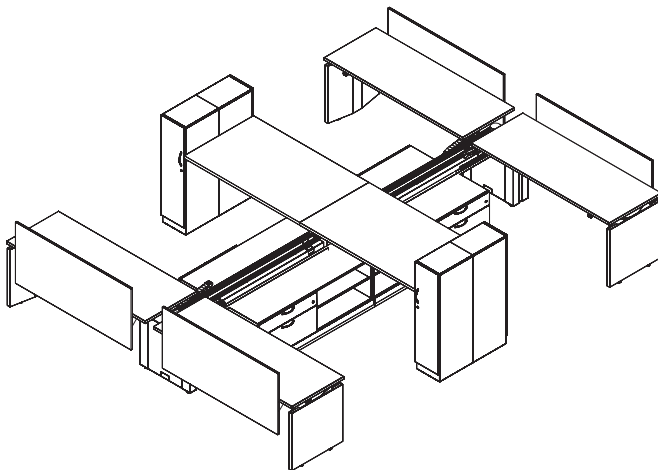
All 4 stations are height-adjustable.

Bench configuration encourages collaboration.



**Further Height-Adjustable 120° 5'-2" x 9'-3"**

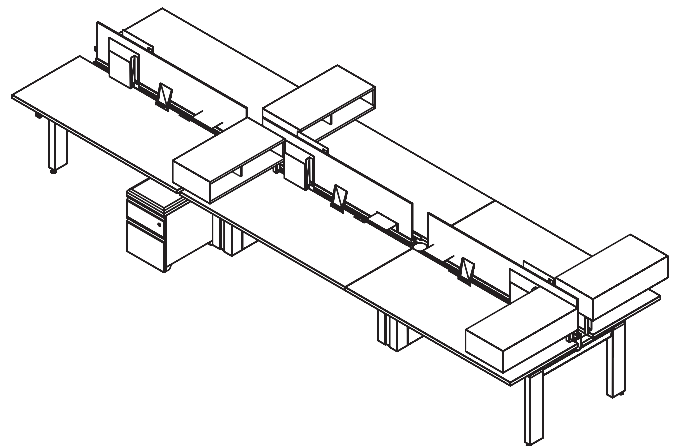
6 stations are height-adjustable. Storage and screens provide privacy.



**Further Height-Adjustable Bench w/Towers 7' x 5'-6"**

All 4 stations are height-adjustable.

Wardrobe and credenzas provide personal storage.



**Further Mixed Bench 5'-6" x 5'-6"**

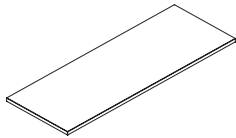
2 stations are height-adjustable and 4 are fixed height.

Mobile peds with seat cushions provide guest seating.

NOTE: Further Typicals can be found at <https://www.allsteeloffice.com/design-resources/idea-starters>.

Further Adaptive configurations use many of the standard Further components to create height-adjustable workstations. This Further Adaptive section contains just 40 models. For a complete Statement of Line of Further components see pages 59-60.

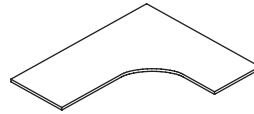
### WORKSURFACES — LAMINATE



**Rectangular**  
Standard 24" or 27"D x 48"-72"W



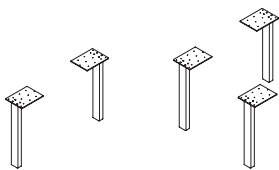
**120°**  
Standard 24" or 27"D x 46¼"-52¼"W



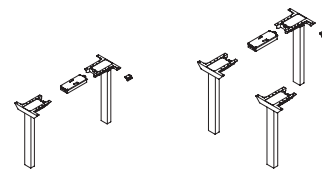
**Corner Covs**  
Standard 24" or 24"/27"D x 60"-72"W

### SUPPORTS

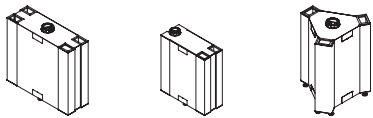
#### Fixed Leg Kits



#### Height-Adjustable Leg Kits

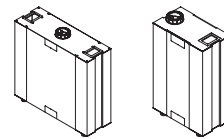


#### Mid-Supports



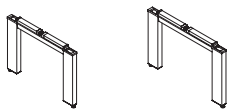
**Dual-Sided**   **Single-Sided**   **120 Degree**

#### Perpendicular Mid Supports

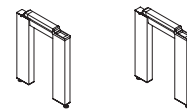


**Dual-Sided**   **Single-Sided**

#### End Supports

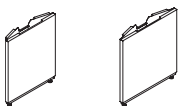


**Dual-Sided**   **Single-Sided**

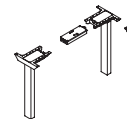


**Single-Sided**

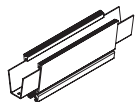
#### Perpendicular Outer Support



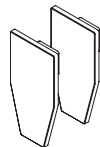
#### Retrofit Kit for Linear Adaptive Applications



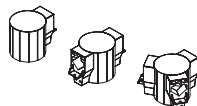
#### Beam



**7" and 9" Beam-to-Beam Extension**



**Beam End Cap 2-Pack**



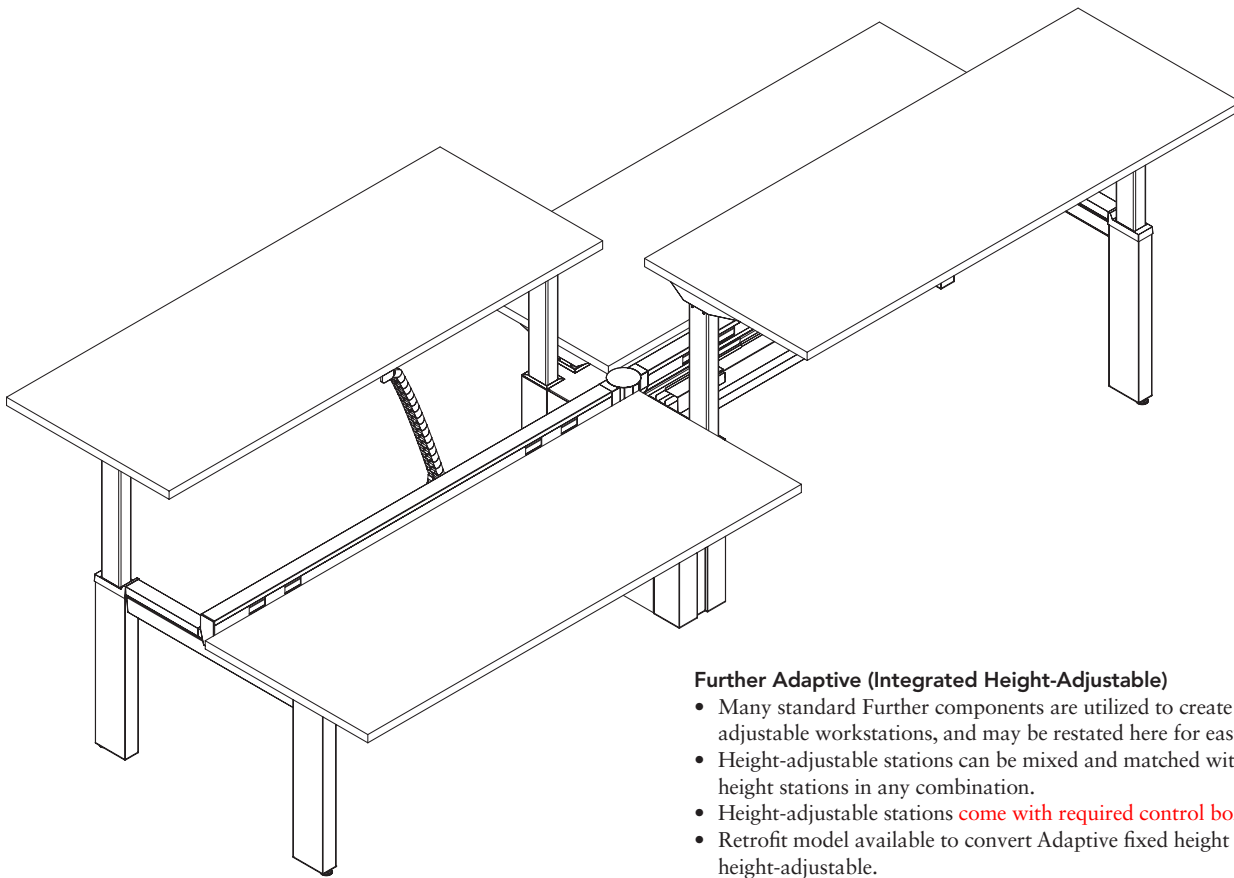
**Mid Support to Beam Connectors**

#### Electrical



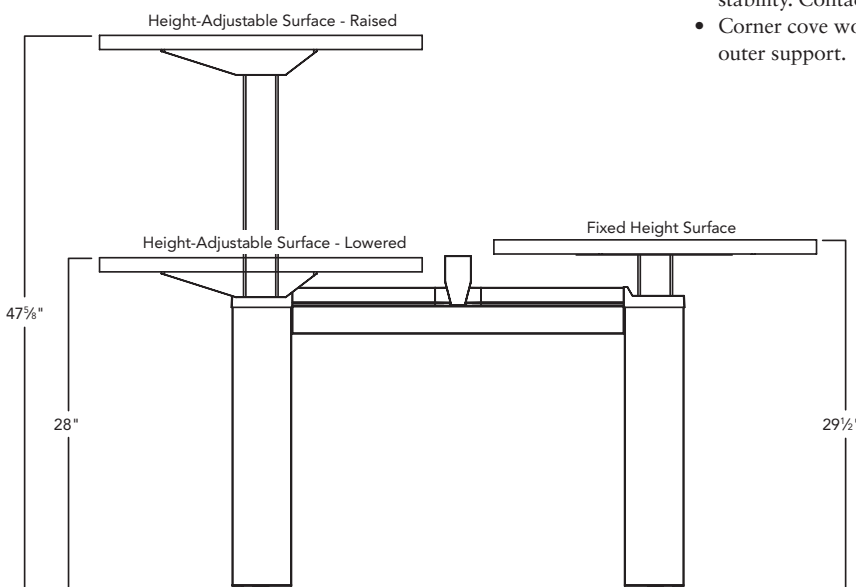
**17" and 19" Jumpers**



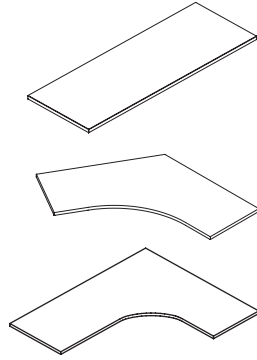


**Further Adaptive (Integrated Height-Adjustable)**

- Many standard Further components are utilized to create height-adjustable workstations, and may be restated here for easy reference.
- Height-adjustable stations can be mixed and matched with fixed height stations in any combination.
- Height-adjustable stations **come with required control box kit**.
- Retrofit model available to convert Adaptive fixed height stations to height-adjustable.
- Mid-supports are required.
- A maximum of two mid-supports in a row may be used.
- Two end supports may be used in succession to extend 6-pack – requires 9" in-line beam connector.
- Single-sided setups require gallery panels to be mounted along spine of beam, or floor anchor brackets on all beam supports.
- Minimum of two single-sided stations allowed.
- Single-sided gallery panels must match the length of worksurfaces specified. Minimum height of the Gallery Panel must be 42" H.
- Adding power to a dual-sided two station application requires a hub at one end.
- Dual-sided two-station requires leg infill on each end support for stability. Contact Allsteel Tailored Products Group.
- Corner cove worksurfaces require a 3-leg **HAT kit** and perpendicular outer support.

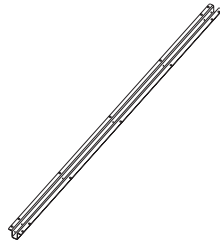


FURTHER



### Worksurfaces (page 138)

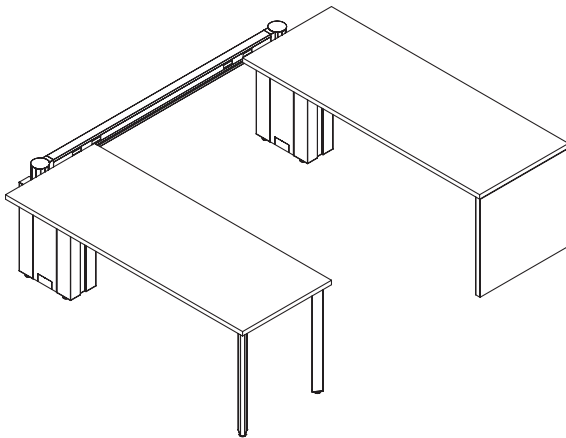
- Standard 48"-72" W Further worksurfaces are used for height-adjustable workstations.
- 21" D worksurfaces cannot be used.
- Trapezoid worksurfaces cannot be used.
- A 1" gap exists between surfaces to eliminate pinch points.
- Worksurfaces cannot overhang supports on ends by more than 12".
- Distance from floor to top of height-adjustable worksurfaces ranges from 28" to 47 $\frac{7}{8}$ " with glides fully retracted. See illustration left.
- Distance from floor to top of worksurface for fixed height remains at 29 $\frac{1}{2}$ " with glides fully retracted. See illustrations below.
- Load maximum: 300 lbs. including weight of worksurface.



### External Worksurface Support Channel (page 138)

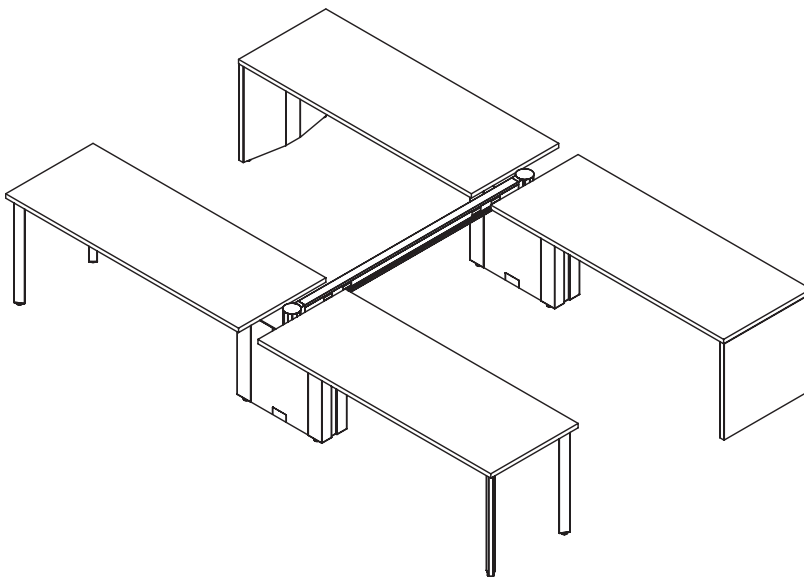
- External stiffeners to be used on 60" W worksurfaces and greater.
- Specify stiffener 12" shorter than standard. (ex. 60" W worksurface uses stiffener Z5SC48)
- Extends 1 $\frac{1}{2}$ " below the worksurface. Stiffener is 6 $\frac{1}{4}$ " from back edge of the worksurface.
- May interfere with storage or mounting of accessories.

## Adaptive Perpendicular — Height-Adjustable

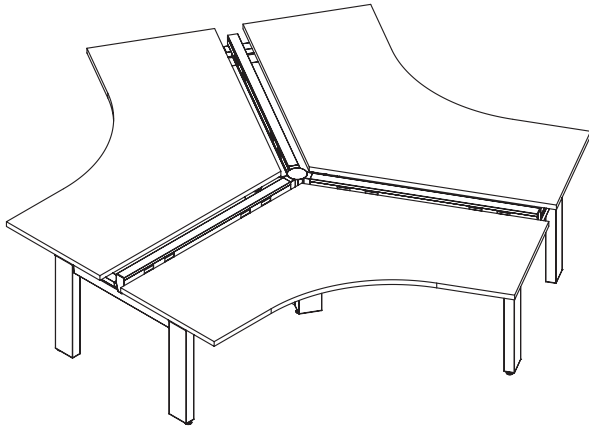


### Adaptive Perpendicular Workstations

- No restriction on number of perpendicular mid supports used in a row.
- Worksurfaces are centered over perpendicular mid supports, but may be mounted up to 4 7/8" forward from mid support to reduce footprint.
- Minimum of 4 stations for dual-sided applications, 2 stations for single-sided applications.
- Perpendicular mid support does not complete height-adjustable station – must order perpendicular outer support **and HAT kit**.
- Fixed height stations require two worksurface support legs on non-beam side in place of a perpendicular outer support.
- A minimum beam length of 30" must be used between perpendicular mid supports for 27"D surfaces, and a minimum length of 24" for 24"D surfaces.
- Trapezoid worksurfaces not allowed.

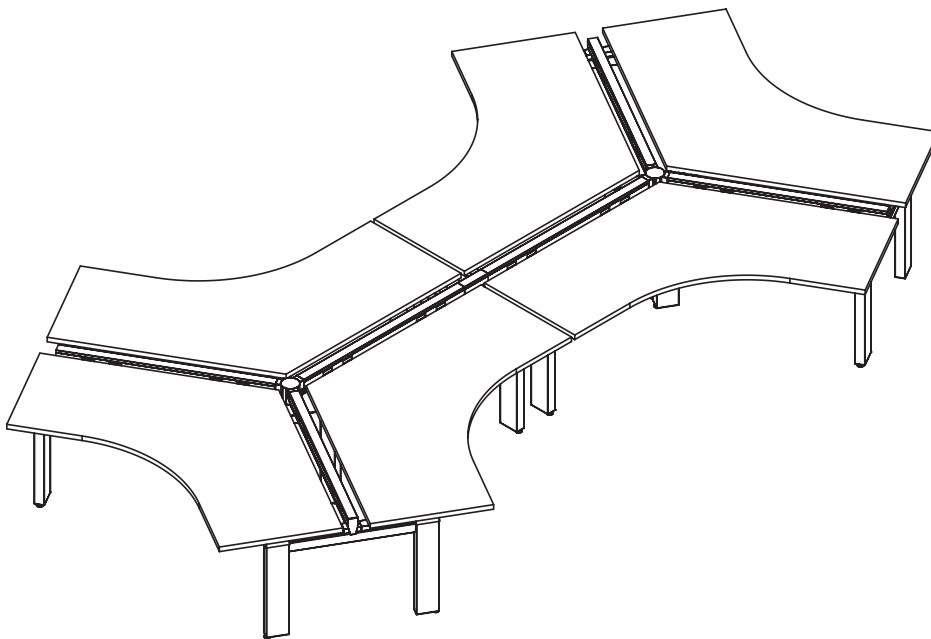


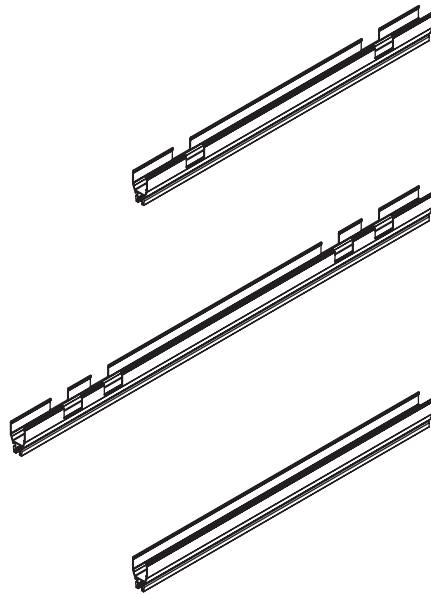
## Adaptive Organic — Height-Adjustable



### Adaptive 120° Workstations

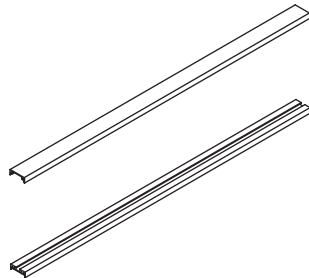
- Requires a 120° mid support at all 3-way beam connections.
- End supports required on beams also connected to a 120° mid support.
- 7" in-line connector required to attach multiple 120° workstations.
- Single-sided end supports not allowed.
- Trapezoid worksurfaces not allowed.
- One (1) 3-Leg HAT or fixed kit will be used per worksurface.





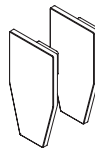
### Beams (page 83)

- Supply power to users and support screens, but do not support workspaces or storage in adaptive applications.
- Ported and non-ported options available in 6" increments.
- Flat or mounting top trim required to finish off beams – order separately.
- Beams do not connect directly in-line with one another, use in conjunction with adaptive supports.
- Height of assembled beam with top trim is 4¼".
- Electrical port locations are back-to-back, symmetric about beam center, and a standard distance away from beam ends on all lengths.
- 36" and 42" ported beams have 2 receptacle locations on each side (4 total), 48"-96" ported beams have 4 on each side (8 total).
- Ported beams do not carry data cables internally. Routed externally through beam mounted wire-managers. See page 94.



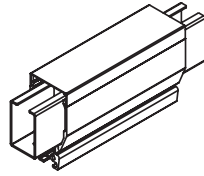
### Beam Top Trim (page 84)

- Available in 6"-96" lengths in flat or mounting rail and is required to finish off a beam. Must match beam length, no exceptions.
- Mounting top trim contains a reveal for mounting screens.
- Mounting top trim must be used for projects specified under Chicago electrical Codes.



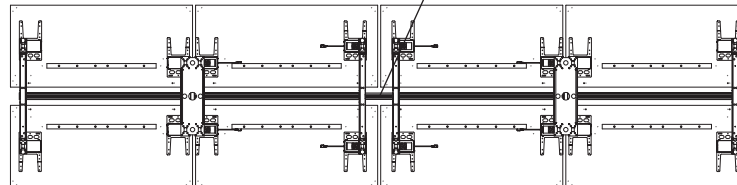
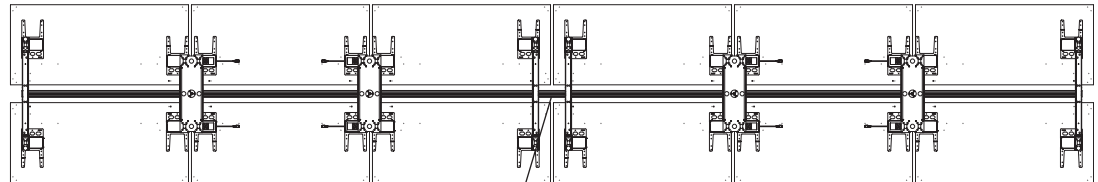
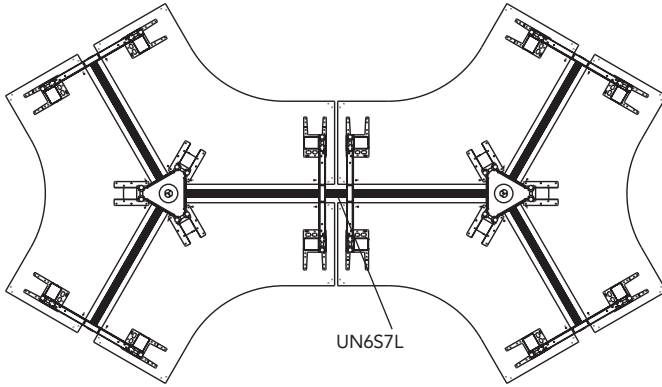
### Beam End Cap (page 140)

- Caps off a beam at the end of a parent run.
- Used in conjunction with adaptive end support.
- Model ships with 2 end caps.

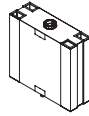


**In-Line Beam Connector** (page 140)

- Connects two end supports used in succession to extend a parent run.
- 7" connector used between 120° workstations, 9" connector used in linear benching applications.
- When routing power through an in-line beam connector, special length beam-to-beam jumpers are required; 7" – 17" (UN87J17), 9" – 19" (UN87J19).
- Needed every third beam for larger linear parent runs. Can be used after two beams in an 8-station typical to keep symmetry (gap will be 1"). See examples at left and below. For 120° applications use 7" beam length.
- Includes Flat trim; may be used to span a screen over the trim.







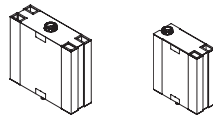
**All Adaptive Supports** (pages 139-140)

- Used in place of standard Further beam and worksurface supports.
- Specify a mid support to beam connector when specifying the Adaptive mid supports.
- Height-adjustable columns available in 20 Allsteel paint finishes.
- Load maximum: 250 lbs. per surface, including weight of worksurface.
- Include leveling glides with 2¾" adjustment.
- Columns are ordered separately from supports.



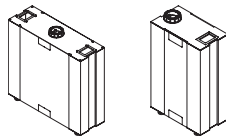
**End Supports** (page 140)

- Supports a beam and worksurface(s) at the end of a run. Cannot be used throughout the run.
- Available in dual- and single-sided models.
- 24" and 27" deep models to be used with corresponding worksurfaces.
- Two end supports may be used in succession to extend parent run. This application requires an in-line beam connector – ordered separately.



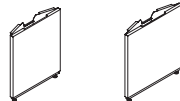
**Mid Supports** (page 139)

- Supports a beam and worksurface(s) in the middle of a run.
- Available in dual- and single-sided models.
- Same model used for both 24" and 27" deep worksurfaces.
- Hub to two beam connector kit UN3CHB2 required.
- Carries power and data to the beam structure; infeed can be routed through the side or bottom of support.



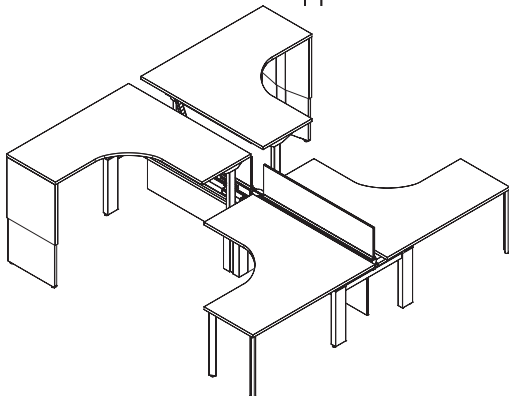
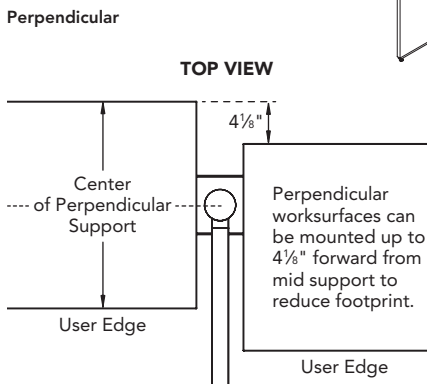
**Perpendicular Mid Support** (page 139)

- Used to support beam side of worksurface in perpendicular applications.
- Available in dual- and single-sided models.
- Same model used for both 24" and 27" deep worksurfaces.
- Hub to one or two beam connector kit required.
- Carries power and data to the beam structure; infeed can be routed through the side or bottom of support.



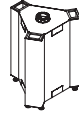
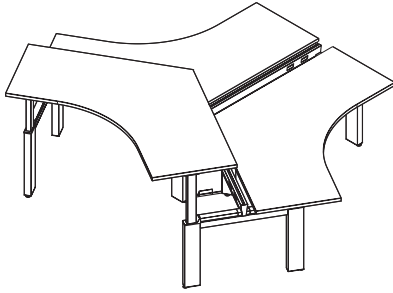
**Perpendicular Outer Support** (page 140)

- Used to support non-beam side of worksurface in perpendicular applications.
- Supports only one worksurface (not a shared support). 24"D and 27"D height-adjustable models available.
- In fixed height applications, two worksurface support legs are used – see illustration at upper left.



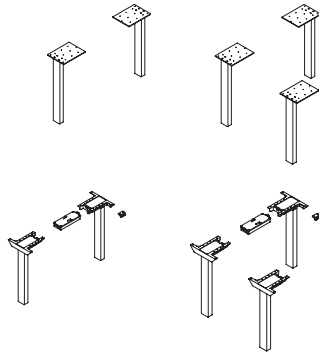
**Maximum Support Capacities**

Support	Data*	Infeeds	Beams
Linear Mid Support	88	2	2
Perpendicular Mid Support	88	2	2
120° Mid Support	132	3	3



### 120° Mid Support (page 139)

- Used to support center of 120° worksurfaces in organic applications. Requires three dual-sided end supports – see example left.
- Same model used for 24" and 27" deep worksurfaces.
- Carries power and data to the beam structure; infeed can be routed through the side or bottom of support.

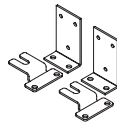


### Fixed Leg Kits (page 139)

- 2-leg and 3-leg kits available.
- Includes required mounting hardware for fixed height stations.
- Ordered in addition to necessary supports.

### Height-Adjustable Kits (page 139)

- 2-leg and 3-leg kit available.
- Columns, gussets, and control boxes are all included with the height-adjustable kits.
- Ordered in addition to necessary supports.
- Kits can be used to retrofit workstations.
- 2-stage models can range from 26½" H to 45¼" H.
- Basic up/down, memory preset, and paddle.
- Available in 20 Allsteel paint finishes.
- Anti-collision feature.
- 250 lbs. weight capacity.

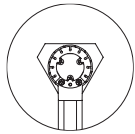


### Adaptive Floor Anchor Brackets (page 140)

- Used to mount single-sided Adaptive supports to floor if gallery panels are not desired.
- Kit includes brackets for 2 end supports and 2 mid supports.
- Hardware for mounting to floor is not included.

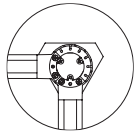
### Mid Support to Beam Connectors

#### 1 Beam to Mid Support Model UN3CHB1

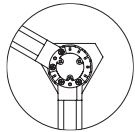


Single

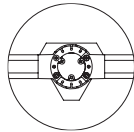
#### 2 Beams to Mid Support — Model UN3CHB2



2-Way 90°

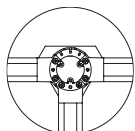


2-Way 120°

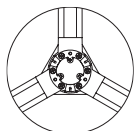


2-Way 180°

#### 3 Beams to Mid Support — Model UN3CHB3



3-Way 90°



3-Way 120°

### Mid Support to Beam Connector Kits (page 139)

- Reconfigurable connector kits used in conjunction with mid support to support beams.
- Ordered by quantity of beams joined to hub — 1, 2, or 3 beams; or connector gap filler and connector blocks can be ordered ala carte to aid in reconfiguration.
- Kits include top casting mounting bracket, top casting, hub to beam connector(s), gap fillers, connector gap fillers, and full top trim.
- Beams can be mounted in 30 degree increments using the same hub and beam connector kit. *Example:* 3 beam connector kit can make a 120 degree or a "T" arrangement. See beam connector kit illustration at left.
- When connector kit is mounted, a gap is created to pass data cords out.

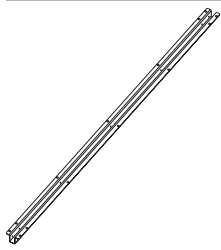
	Old Model	New Model
Mid Supports – Dual Sided 4 Packs for 24"D or 27"D	U6MSD4HA	UNMD
	U6MSD3HA1F	
	U6MSD2HA2F	
	U6MSD1HA3F	
	U6MSD4F	
Mid Supports – Single Sided 4 Packs for 24"D or 27"D	U6MSDL2HA	UNMS
	U6MSD1HA1F	
	U6MSDL2F	
120 Mid Supports for 24"D or 27"D	U6MS1203HA	UNM120
	U6MS1202HA1F	
	U6MS1201HA2F	
	U6MS1203F	
Perpendicular Mid Support Dual Sided 2 Pack	U6MSS2HA	UNMPED
	U6MSS1HA1F	
	U6MSS2F	
Perpendicular Mid Support Single Sided	U6MSEP1HA	UNMPES
	U6MSEP1F	
End Supports – Dual Sided (depth specific)	UN6E24D2HA	UNE24D
	UN6E24D1HA1F	
	UN6E24D2F	
	UN6E27D2HA	UNE27D
	UN6E27D1HA1F	
End Supports – Single Sided (depth specific)	UN6E27D2F	UNE24S
	U6E24SS1HA	
	U6E24SS1F	
	U6E27SS1HA	
Perpendicular Outer Support	U6E27SS1F	UNE27S
	U6PE241HA	
Retrofit Kit for Linear Adaptive Applications	U6PE271HA	UN6PE24
	U6LHAKIT	
		UNHAT2LEG

Columns are ordered separately from supports.

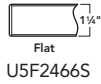


For Adaptive specification information see pages 127-136.  
Models listed below are a subset from pages 127-136 that are used for Adaptive applications.

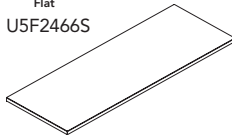
Laminate  
GSA SIN 33721



Description	Model	List Price
<b>External Worksurface Support Channel (no color option) — 1½"H</b>		
36"W External Support Channel for 48"W Worksurface	Z5SC48 <span style="border: 1px solid black; padding: 0 2px;">S</span>	\$ 78
42"W External Support Channel for 54"W Worksurface	Z5SC54 <span style="border: 1px solid black; padding: 0 2px;">S</span>	\$ 90
48"W External Support Channel for 60"W Worksurface or 66" Table	Z5SC60	\$ 97

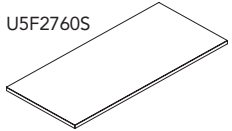


Description	Beam Size	Laminate w/Flat Edge Model	Laminate w/Flat Edge		
			L1	L2	L3
<b>24"D Rectangular Worksurfaces for Adaptive (27" to center of beam)</b>					
48"W	42" Beam	U5F2448S	\$ 586	\$ 609	\$ 627
54"W	48" Beam	U5F2454S	\$ 644	\$ 669	\$ 688
60"W	54" Beam	U5F2460S	\$ 710	\$ 737	\$ 758
66"W	60" Beam	U5F2466S	\$ 777	\$ 806	\$ 829
72"W	66" Beam	U5F2472S	\$ 844	\$ 875	\$ 901



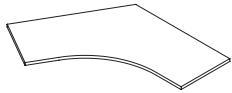
U5F2760S

<b>27"D Rectangular Worksurfaces for Adaptive (30" to center of beam)</b>					
48"W	42"W	U5F2748S	\$ 610	\$ 634	\$ 652
54"W	48"W	U5F2754S	\$ 681	\$ 707	\$ 727
60"W	54"W	U5F2760S	\$ 757	\$ 785	\$ 808
66"W	60"W	U5F2766S	\$ 821	\$ 851	\$ 876
72"W	66"W	U5F2772S	\$ 889	\$ 921	\$ 949

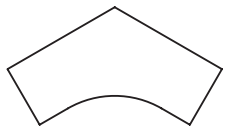


U5F244646C

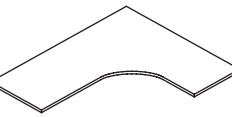
<b>24"D 120° Worksurfaces for Adaptive (27"D to center of beam)</b>					
46¼"W Back Left and Right	42" Beam	U5F244646C	\$ 1032	\$ 1068	\$ 1102
52¼"W Back Left and Right	48" Beam	U5F245252C	\$ 1123	\$ 1162	\$ 1200



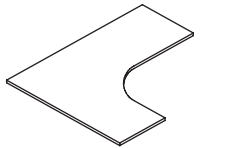
<b>27"D 120° Worksurfaces for Adaptive (30"D to center of beam)</b>					
46¼"W Back Left and Right	42" Beam	U5F274646C	\$ 1057	\$ 1094	\$ 1128
52¼"W Back Left and Right	48" Beam	U5F275252C	\$ 1159	\$ 1199	\$ 1238



<b>Corner Cove Worksurfaces — Left Handed (66" and 72" extend left)</b>					
60" x 60" - 24"L / 24"R	54" / 54"	U5CC6024LS	\$ 1599	\$ 1651	\$ 1705
60" x 60" - 27"L / 24"R	54" / 54"	U5CC6027LS	\$ 1647	\$ 1700	\$ 1756
66" x 60" - 24"L / 24"R	60" / 54"	U5CC6624LS	\$ 1679	\$ 1733	\$ 1790
66" x 60" - 27"L / 24"R	60" / 54"	U5CC6627LS	\$ 1707	\$ 1762	\$ 1821
72" x 60" - 24"L / 24"R	66" / 54"	U5CC7224LS	\$ 1717	\$ 1772	\$ 1831
72" x 60" - 27"L / 24"R	66" / 54"	U5CC7227LS	\$ 1829	\$ 1888	\$ 1950



<b>Corner Cove Worksurfaces — Right Handed (66" and 72" extend right)</b>					
60" x 60" - 24"L / 24"R	54" / 54"	U5CC6024RS	\$ 1599	\$ 1651	\$ 1705
60" x 60" - 24"L / 27"R	54" / 54"	U5CC6027RS	\$ 1647	\$ 1700	\$ 1756
60" x 66" - 24"L / 24"R	54" / 60"	U5CC6624RS	\$ 1679	\$ 1733	\$ 1790
60" x 66" - 24"L / 27"R	54" / 60"	U5CC6627RS	\$ 1707	\$ 1762	\$ 1821
60" x 72" - 24"L / 24"R	54" / 66"	U5CC7224RS	\$ 1717	\$ 1772	\$ 1831
60" x 72" - 24"L / 27"R	54" / 66"	U5CC7227RS	\$ 1829	\$ 1888	\$ 1950



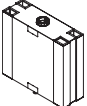
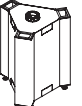
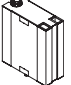

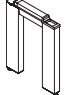

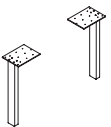




<p><b>How to specify —</b> Select the Model Number from above.</p>	<p><i>1st Option:</i> <b>Laminate</b> (if applicable):</p>	<p><i>2nd Option:</i> <b>Edge</b> (if applicable):</p>
<div style="display: flex; justify-content: space-around;"> <div style="border-bottom: 1px solid black; width: 100px;"></div> <div style="border-bottom: 1px solid black; width: 100px;"></div> <div style="border-bottom: 1px solid black; width: 100px;"></div> </div>		

Examples: Z5SC60 U5F2448S.LM11.EV U5F2760S.LWBR.DB

S Shippable by small-package carrier.

For specification information see pages 127-136.

GSA SIN 33721

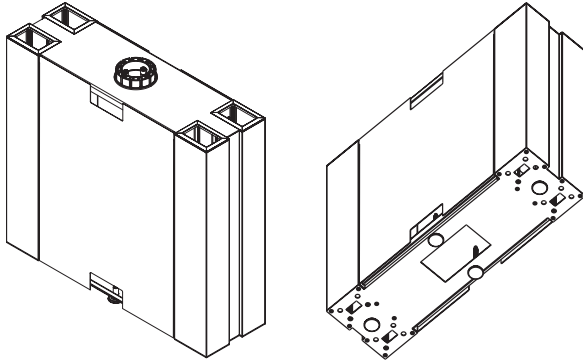
	Description	Model	List Price		
			P1	P2	P3
<b>Mid Supports</b>					
 UNMD	Dual-Sided Mid Support	UNMD	\$ 2435	\$ 2679	\$ 2800
 UNM120	Single-Sided Mid Support	UNMS	\$ 2188	\$ 2407	\$ 2516
	120 Degree Mid Support	UNM120	\$ 2700	\$ 2970	\$ 3105
	Dual-Sided Perpendicular Mid Support	UNMPED	\$ 1167	\$ 1284	\$ 1342
	Single-Sided Perpendicular Mid Support	UNMPES	\$ 2055	\$ 2261	\$ 2363
 UNMS					
<b>End Supports</b>					
 UNE24D	Dual-Sided End Support, 24"D	UNE24D	\$ 1200	\$ 1320	\$ 1380
	Dual-Sided End Support, 27"D	UNE27D	\$ 1491	\$ 1640	\$ 1715
	Single-Sided End Support, 24"D	UNE24S	\$ 1150	\$ 1265	\$ 1323
	Single-Sided End Support, 27"D	UNE27S	\$ 1342	\$ 1476	\$ 1543
 UNE24S					
<b>Outer Supports</b>					
 UN6PE24	Perpendicular Outer Support, 24"D	UN6PE24	\$ 1150	\$ 1265	\$ 1323
	Perpendicular Outer Support, 27"D	UN6PE27	\$ 1350	\$ 1485	\$ 1553
<b>2- and 3-Leg Kits</b>					
 UNFIX2LEG	2-Leg Fixed Height Kit	UNFIX2LEG	\$ 910	\$ 1001	\$ 1047
	2-Leg Height Adjustable Kit	UNHAT2LEG	\$ 2176	\$ 2394	\$ 2502
	3-Leg Fixed Height Kit	UNFIX3LEG	\$ 1365	\$ 1502	\$ 1570
	3-Leg Height Adjustable Kit	UNHAT3LEG	\$ 3750	\$ 4125	\$ 4313
 UNHAT2LEG					
<b>Mid Support to Beam Connectors — configure as needed, see page 136</b>					
 UN3CHB1	1 Beam to Mid Support Connector w/Top Trim and Gap Filler	UN3CHB1	\$ 317	\$ 332	\$ 364
 UN3CHB2	2 Beams to Mid Support Connector w/Top Trim and Gap Filler	UN3CHB2	\$ 378	\$ 393	\$ 425
 UN3CHB3	3 Beams to Mid Support Connector w/Top Trim and Gap Filler	UN3CHB3	\$ 431	\$ 446	\$ 478

<p><b>How to specify —</b> Select the Model Number from above.</p>	<p><b>1st Option:</b> <b>Paint color:</b>  <input type="radio"/> P1 <input type="radio"/> P2 <input type="radio"/> P3</p>	<p><b>2nd Option:</b> <b>Select the Keypad</b> (if applicable):  <b>UD</b> Basic Up/Down  <b>MEM</b> Memory Preset  <b>PDL</b> Paddle</p>
--	---	---

Example: UN3CHB1.PR6

 Shippable by small-package carrier.

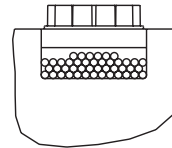




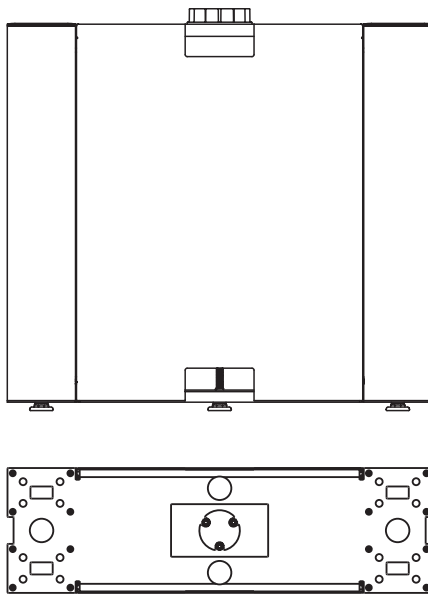
### Adaptive Electrical (pages 144-145)

- Most electrical rules and options remain the same for Adaptive applications.
- Power infeeds cannot enter system through end supports.

Application	Beam Size	Bench Connector	Jumper Model
Linear	48-72"	UN6S9L	UN87J19
120°	42"	UN6S7L	UN87J19
120°	48"	UN6S7L	UN87J17

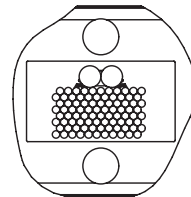
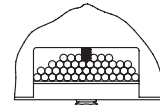
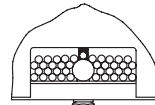


Upper knock-out opening (5.30 sq. in.) on access panel on mid support (both 2 & 4-column, 4-column shown) accepts up to 44 voice/data cables (.300" dia.)  
All quantities listed at 60% fill ratio.



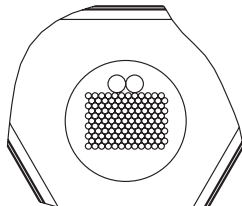
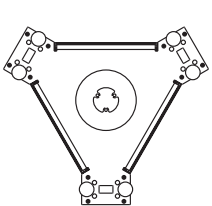
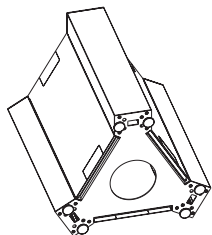
Lower knock-out opening (5.72 sq. in.) on access panel on mid support (both 2 & 4-column, 4-column shown) accepts up to 39 voice/data cables (.300" dia.) when electrical shares opening with one infeed.  
All quantities listed at 60% fill ratio.

Lower knock-out opening (5.72 sq. in.) on access panel on mid support (both 2 & 4-column, 4-column shown) accepts up to 44 voice/data cables (.300" dia.) without power. Maximum of 72 cables in wire management.  
All quantities listed at 60% fill ratio.

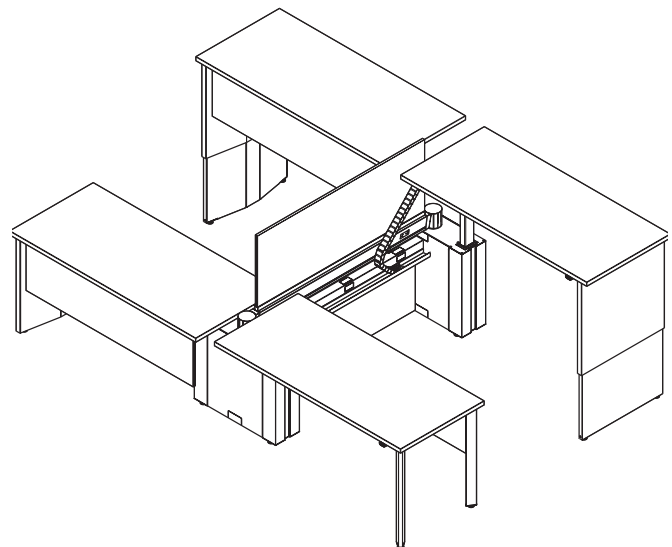


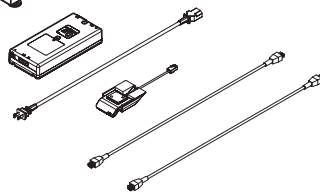
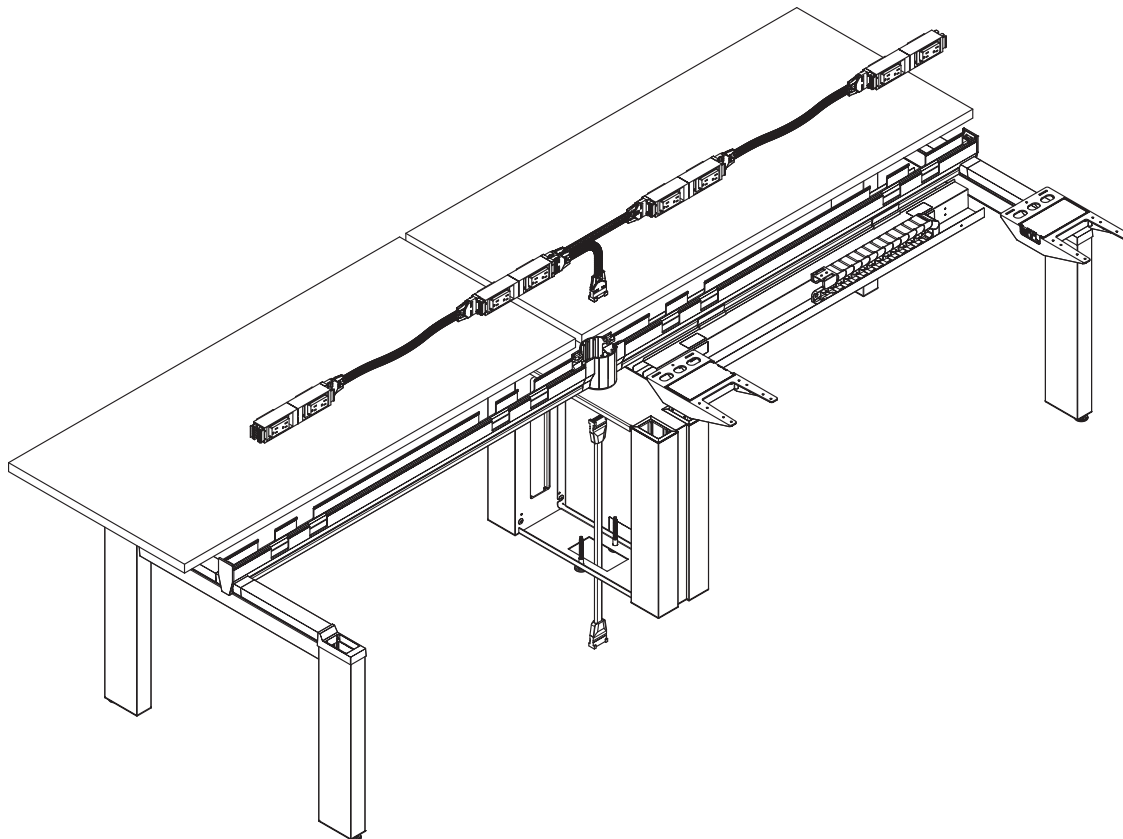
Bottom 6" x 3/4" opening (19.50 sq. in.) of mid support (both 2 & 4-column, 4-column shown) accepts up to 88 voice/data cables (.300" dia.) when electrical shares opening with two infeeds.

88 cables shown = 44 per access panel upper knock-out.



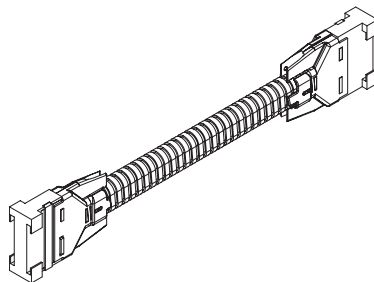
Bottom 6" dia. opening (28.27 sq. in.) of 120 mid support accepts up to 132 voice/data cables (.300" dia.) when electrical shares opening with two infeeds. 132 cables shown = 44 per access panel upper knock-out.





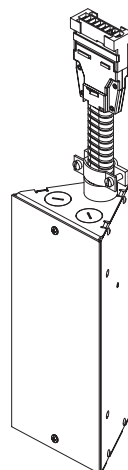
**Control Box Kits** (page 144)

- Required for every height-adjustable workstation.
- Model includes a standard key pad. Programmable height key pad option available – ordered separately.
- Kits available for 2- or 3-leg stations. 3-leg kits required for 120° and corner cove applications.
- Control box may be mounted to underside of worksurface or lay into hinged trough.



**Beam-to-Beam Jumper** (page 144)

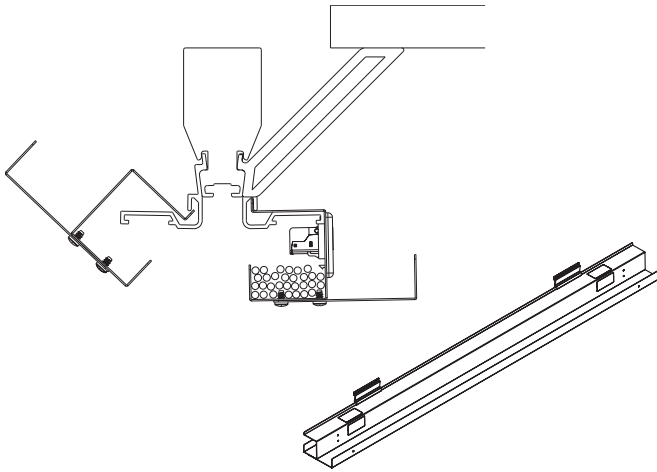
- Standard 16" jumpers are used over mid supports.
- 17" jumper used over 7" connector.
- 19" jumper used over 9" connector.
- Special length jumpers are required when routing power over two end supports through an in-line beam connector.



**Hardwire – New York Code** (page 102)

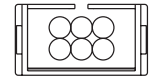
- Required for New York electrical.
- For flexible hubs and Further Adaptive, choose one of the 3 configurations:
  - U8IKNY1 for Hub to 1 Beam
  - U8IKNY2 for Hub to 2 Beam
  - U8IKNY3 for Hub to 3 Beam





**Single-Sided Wire Manager** (page 104)

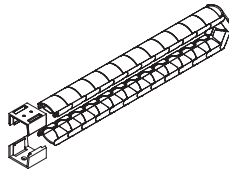
- Can be used with any single-sided, dual-sided, Further Adaptive, freestanding post and beam, and fixed-height applications.
- Holds user wires and up to 30 system data cables on one side of a beam.
- Mounts into the continuous reveal on either side of a beam – mounting clips included.
- Single-sided version is recommended when nesting storage.
- The data manager without the 2½" D tray can be ordered separately to maximize space, or the tray can be removed in the field.
- Available from 36" to 78" widths in 6" increments.
- Includes mounting locations for Cord Management Chain when used with Adaptive supports or freestanding height-adjustable workstations.
- Specify 6" shorter than beam length when used with Adaptive supports.
- Two single-sided wire managers can be used on either side of beam to increase data capacity. (60 total)
- May be used in conjunction with beam mounted modesty screens.
- Includes 4 knockout port locations for data faceplates (2.7"W x 1.375"H) on all widths. Data faceplates ordered separately.



6 cables (.300" dia.)

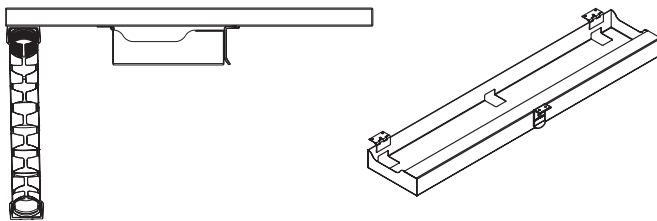
**Cord Management Chain** (page 145)

- Used to route and conceal power/data cables from worksurface to beam power receptacles.
- Houses 6 cables at .300" diameter – see illustration left.
- Chain is 36" and must be used in conjunction with a single-sided wire manager. Specify wire manager to be 6" shorter than beam length.
- Chain can be mounted in two orientations – see illustrations left.
- Chain is plastic and comes in one color – Black.
- Recommended cord length for electrical accessories is 60".
- Maximum of two chains can be mounted to a wire manager tray that is 48" or greater.



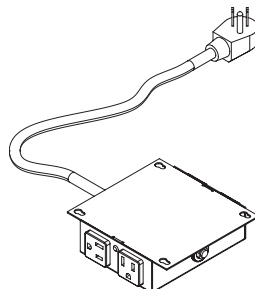
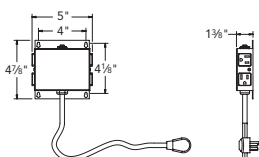
**Hinged Trough** (page 145)

- Mounts beneath a worksurface. Used to conceal control box kit and extra cord slack.
- May be used in conjunction with quad tap unit UNQTMP to reduce the number of cords routed from a worksurface to a beam.
- Must specify at least 24" shorter than worksurface.
- Trough is user accessible, but may be fastened to worksurface if desired.



**Quad Tap** (page 208)

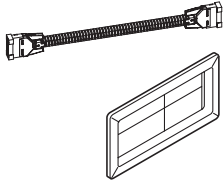
- Under surface mounting, used on any worksurface.
- 10' Power cord. UL Listed
- 4 Simplex receptacles.
- May be used in conjunction with hinged trough to reduce the number of cords routed from a worksurface to a beam.
- Comes standard with circuit-breaker feature.
- Chicago code compliant.
- Under surface mounting — 5" x 4¾" x 1¾".



FURTHER

For Adaptive specification information see pages 141-143.

GSA SIN 33721



Description	Model	List Price
<b>Electrical &amp; Data</b> (See pages 141-142 for specification and balance of electrical models.)		
17" Jumper for Adaptive	UN87J17 <input type="checkbox"/>	\$ 135
19" Jumper for Adaptive	UN87J19 <input type="checkbox"/>	\$ 139
Wireway Grommet — pack of 6	TAWG <input type="checkbox"/>	\$ 166

*How to specify —*  
Select the Model Number from above.

*1st Option:*  
**Jumper Color**  
(if applicable):  
P Black

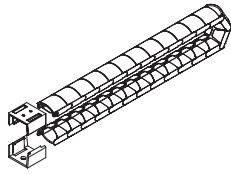
\_\_\_\_\_ .  P

Example: UN87J17.P

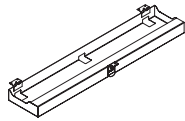
Shippable by small-package carrier.

For Adaptive specification information see pages 141-143.

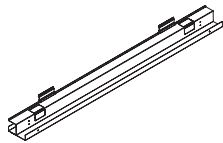
GSA SIN 33721



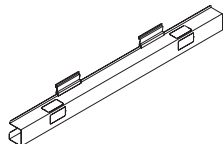
Description	Model	List Price
<b>Cord Management Chain</b>		
Bench Height with Mounting Brackets	A9CLWMC <input type="checkbox"/>	\$ 317



Description	Model	List Price		
		P1	P2	P3
<b>Hinged Wire Management Troughs for under Worksurfaces</b>				
24"W	UN924HT	\$ 310	\$ 327	\$ 353
36"W	UN936HT	\$ 324	\$ 342	\$ 369
48"W	UN948HT	\$ 342	\$ 361	\$ 390



<b>Beam Mounted Wire Manager — Single Sided Stationary Painted Metal</b>				
36"W Beam Mounted	UN6SWMC36	\$ 385	\$ 422	\$ 479
42"W Beam Mounted	UN6SWMC42	\$ 423	\$ 465	\$ 527
48"W Beam Mounted	UN6SWMC48	\$ 468	\$ 514	\$ 582
54"W Beam Mounted	UN6SWMC54	\$ 514	\$ 562	\$ 636
60"W Beam Mounted	UN6SWMC60	\$ 565	\$ 620	\$ 704
66"W Beam Mounted	UN6SWMC66	\$ 621	\$ 680	\$ 769
72"W Beam Mounted	UN6SWMC72	\$ 683	\$ 745	\$ 838
78"W Beam Mounted	UN6SWMC78	\$ 753	\$ 818	\$ 918



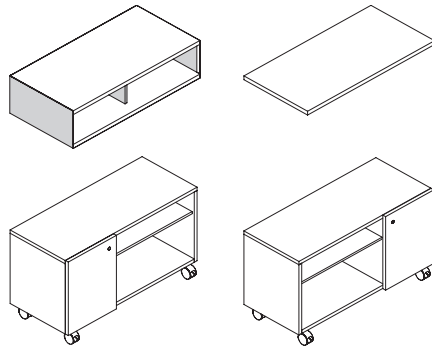
<b>Beam-Mounted Data Manager without Tray — Single-Sided Painted Metal</b>				
36"W	UN6SDMC36 <input type="checkbox"/>	\$ 308	\$ 330	\$ 362
42"W	UN6SDMC42 <input type="checkbox"/>	\$ 338	\$ 362	\$ 398
48"W	UN6SDMC48 <input type="checkbox"/>	\$ 373	\$ 399	\$ 439
54"W	UN6SDMC54 <input type="checkbox"/>	\$ 412	\$ 441	\$ 484
60"W	UN6SDMC60 <input type="checkbox"/>	\$ 452	\$ 484	\$ 531
66"W	UN6SDMC66 <input type="checkbox"/>	\$ 498	\$ 533	\$ 585
72"W	UN6SDMC72 <input type="checkbox"/>	\$ 546	\$ 584	\$ 642
78"W	UN6SDMC78	\$ 601	\$ 643	\$ 707

FURTHER

<p><b>How to specify —</b> Select the Model Number from above.</p>	<p><b>1st Option:</b> <b>Paint Color</b> (if applicable): <input type="checkbox"/> P1 <input type="checkbox"/> P2 <input type="checkbox"/> P3</p>
--	---

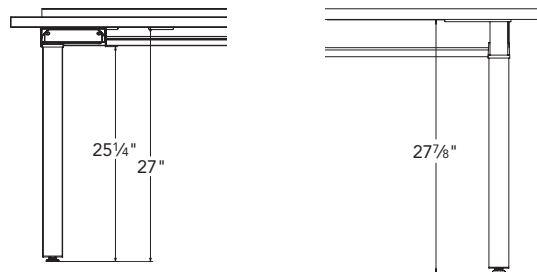
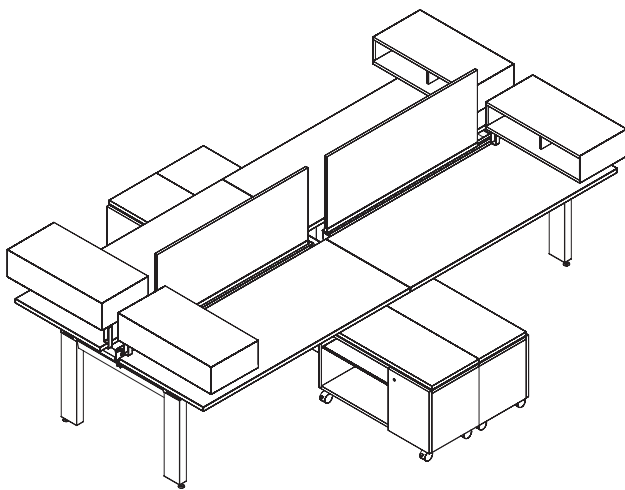
Examples: A9CLWMC UN6SWMC36.PR6

Shippable by small-package carrier.



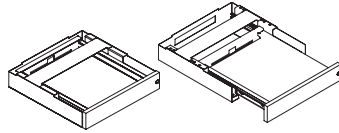
### Storage (pages 120-126)

- Storage Niches (24" & 30" W) can be mounted on Adaptive surfaces using worksurface mounted stanchion kits (U7HSK1).
- Nitch cannot overhang height-adjustable worksurfaces more than 3" from edge of worksurface.
- Laminate shelves (24" & 30" W) can be mounted on Adaptive surfaces using worksurface mounted stanchion kits (U7HSK1).
- Beam mounted storage cannot be used in conjunction with Adaptive worksurfaces.
- Storage cannot be attached to underside of Adaptive worksurfaces.
- Storage below 26"H can be used underneath Adaptive surfaces when not directly underneath height-adjustable leg, otherwise storage must be below 23 7/8"H. Taller storage units can be used if keypad with preset height capabilities (ATBCMC) is specified.
- Storage below 26"H can be used underneath fixed supports. Normal Further storage units may be used if positioned to not interfere with plates. See below.



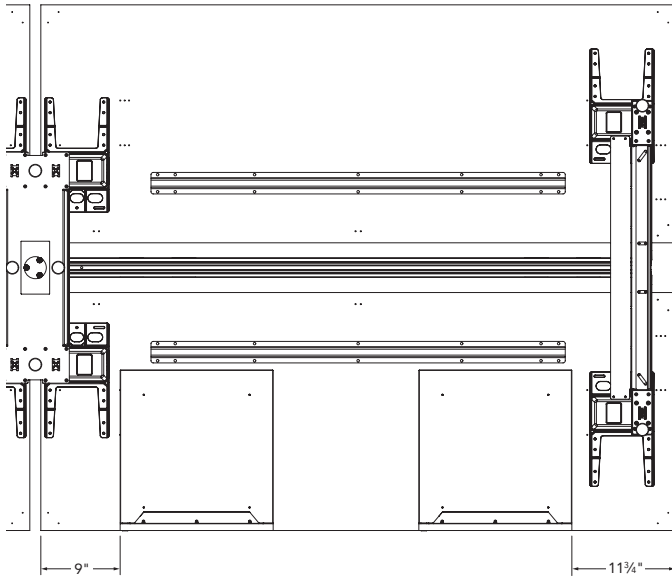
### Further Height-Adjustable w/Open Storage 5'-6" x 5'-6"

*2 stations are height-adjustable and 2 are fixed height.  
Storage and screens provide privacy.*

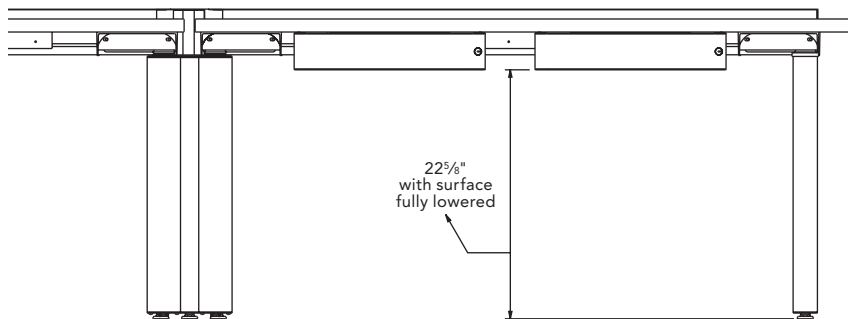


**Laptop Drawer** (pages 243 and 246)

- Laptop Drawers (U7WDA) must clear worksurface gussets.
- Drawer must be inset  $11\frac{3}{4}$ " from the side edge and 9" on mid support side. See illustration at left.
- Laptop drawer cannot be used on 24" x 60", 24" x 66", or 24" x 72" due to external stiffener placement.
- Clearance below drawer is  $22\frac{5}{8}$ " when worksurface is fully lowered. See illustration at left.



Front View



FURTHER

# Gallery Panels

---

Finishes .....	150
Gallery Panels .....	151
Basic Characteristics.....	152
Dimensions .....	153
Working with Integrated Glass .....	154
Further - End Panel (Dual-Sided) .....	155
Further - End Panel (Single-Sided).....	156
Benching.....	157
Mural — Planning Guidelines.....	158
Storage and Worksurface Connectors.....	159
Accessories - Tackboards .....	160
22"H Application .....	161-162
30"H Application .....	163
35"H Application .....	164
42"H Application .....	165
50"H Application .....	166
22"H Application for Use with Glass .....	167-168
30"H Application for Use with Glass .....	169
35"H Application for Use with Glass .....	170
42"H Application for Use with Glass .....	171
Further Connector Kits .....	172
Benching Connector Kits.....	173
Panel Systems Gallery Glass .....	174-176

### PAINT FINISHES

#### GRADE P1

Black .....	P71
Brownstone .....	P7D
Bungalow .....	P7C
Cinder .....	P7Q
Designer White .....	PJW
Flint .....	P02
Fossil .....	P28
Loft .....	P7B
Muslin .....	P4J
Parchment .....	P93
Pebble .....	P8R
Pewter .....	P8D
Salt .....	P8C
Titanium .....	P8T

#### GRADE P2

Champagne Metallic .....	PR5
Gunmetal Metallic .....	PR3
Night Bronze .....	P8B
Platinum Metallic .....	PR2
Pyrite .....	PJE
Silver .....	PR6
Solar Black .....	P8X

*Metallic paints, due to varying reflectance, may appear to have less visual color consistency than other paint finishes, even when L/A/B values are exactly the same. (L/A/B — measurable aspects of color — values are maintained within a specified range, to ensure consistent appearance of paint colors.)*

#### GRADE P3

Atom .....	P8S
Blossom*** .....	P8K
Bullseye .....	PJF
Cabernet*** .....	P7T
Conifer*** .....	P8H
Ember .....	P8P
Ion .....	P8N
Iris .....	P8J
Krypton .....	P8F
Regatta .....	P8M
Succulent*** .....	P8A

\*\*\*These colors are intended to be an inspirational option for the trending market. Product application is limited and color availability is approximately two years to coincide with evolving workplace trends.

### LAMINATES

#### GRADE L1

<b>SOLID COLOR</b>	
Black .....	P
Brownstone .....	LM13
Bungalow .....	LM12
Designer White .....	LDW1
Flint .....	LM16
Fossil Shale .....	LEH1
Loft .....	LM11
Muslin .....	LM15
Titanium .....	LTI1
<b>WOODGRAIN</b>	
Belair .....	LWBA
Bourbon Cherry .....	H
Field Elm .....	LWFE
Florence Walnut .....	LFW1
Kingswood Walnut .....	LK11
Natural Maple .....	LWD
NeoWalnut .....	LNU1
Pinnacle .....	PINC
Shaker Cherry .....	LW7C

#### GRADE L2

Beigewood .....	LWBE
Fawn Cypress .....	LFC1
Lowell Ash .....	LLA1
Mangalore Mango .....	LMM1
Natural Recon .....	LNR1
Phantom Charcoal .....	LPC1
Phantom Ecu .....	LPE1
Portico Teak .....	LPT1
Skyline Walnut .....	LSW1
Veranda Teak .....	LVT1

#### GRADE L3

Natural Walnut .....	LWNW
----------------------	------

### LAMINATE EDGE COLORS

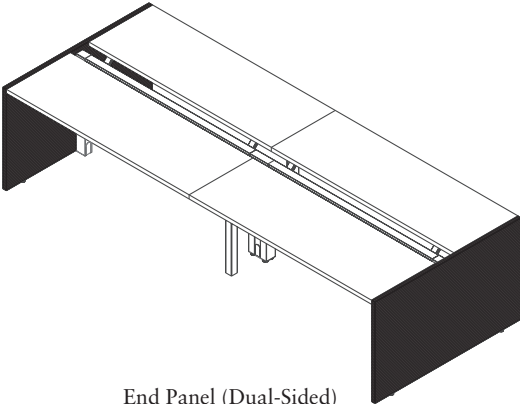
Beigewood .....	DE
Belair .....	BA
Black .....	E4
Bourbon Cherry .....	H
Brownstone .....	EY
Bungalow .....	EX
Designer White .....	DW
Fawn Cypress .....	FC
Field Elm .....	FE
Flint .....	E9
Florence Walnut .....	FW
Fossil .....	EH
Kingswood Walnut .....	KI
Loft .....	EV
Lowell Ash .....	DL
Mangalore Mango .....	MM
Muslin .....	EU
Natural Maple .....	DD
Natural Recon .....	NR
Natural Walnut .....	DN
NeoWalnut .....	NU
Parchment .....	EN
Phantom Charcoal .....	PC
Phantom Ecu .....	PE
Pinnacle .....	PI
Plyband .....	PL
Portico Teak .....	DP
Shaker Cherry .....	DF
Skyline Walnut .....	SW
Titanium .....	TI
Veranda Teak .....	VT

Forest Stewardship Council (FSC) is a non-profit organization devoted to encouraging the responsible management of the world's forests. FSC sets high standards that ensure forestry is practiced in an environmentally responsible, socially beneficial, and economically viable way. Allsteel received its FSC Chain of Custody certification in 2010 and can offer FSC Certified products. Select wood-based products can be ordered as FSC certified, either by choosing the FSC option or selecting an FSC laminate or veneer finish at the time of order. For more information, please contact Customer Support at 888-255-7833. (FSC Trademark license code: FSC-CO14704.)

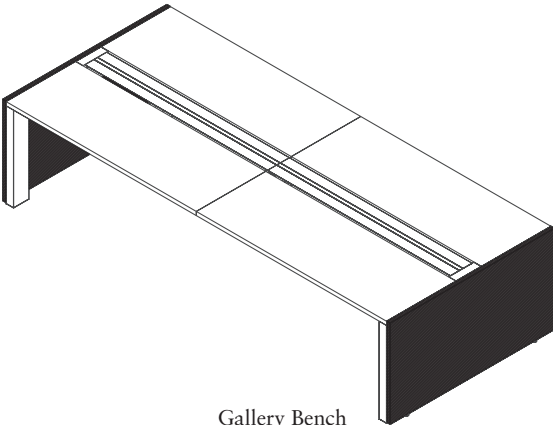
**NOTE:** Refer to individual product pages for upcharges.



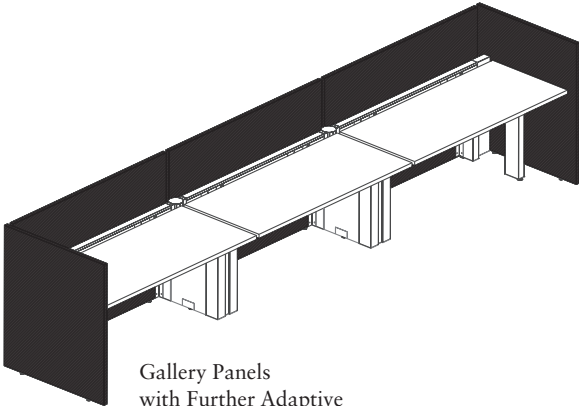
Gallery Panels are ideal for bringing natural wood elements to workstations and providing privacy. Allsteel Gallery Panels are designed to work universally across 4 product platforms. Please follow the product guidelines for proper specification.



End Panel (Dual-Sided)



Gallery Bench



Gallery Panels with Further Adaptive

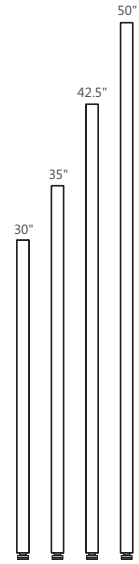
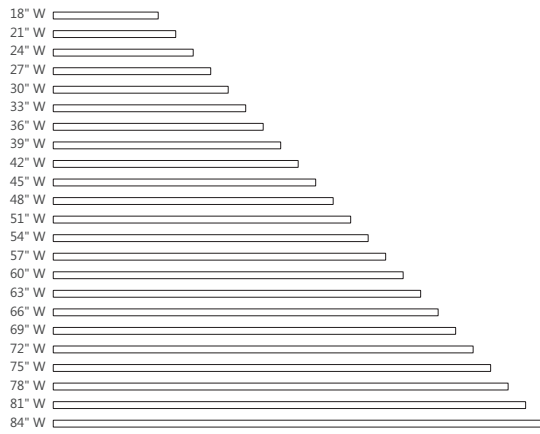
- Available in End configuration.
- Made of 1 1/8" board with HPL laminate.
- Use 1 1/8" thickness for space planning.
- Can be specified with matching or contrasting edge.
- Edge band is 2mm ABS.
- Available in woodgrain and solid laminates.
- Horizontal laminate available on all sizes. Vertical laminate is available on widths 18"W to 60"W, and 87"W to 117"W.
- Widths are available in 3" increments from 33"W to 87"W.
- Sizes up to 84"W come as a single piece. Sizes 87"W through 147"W are split panels and come in two-pieces.
- Standard benching Gallery Panels are specified in single-piece panels. Contact Allsteel Tailored Products Group for split panels.
- Grain matching is not available on split panels.
- Gallery Panels offer 2 1/2" leveling capability.
- Overall heights line up with adjacent panel or benching systems.
- Gallery Panel widths are true to size.
- Available with and without the integrated glass option.
- Glass is specified separately.
- Gallery Panels for use with glass have separate model numbers.
- Can be used with Single Sided Further adaptive for privacy and stability along the beam.
- All configurations are non-handed and secured using hidden fasteners.
- Please adhere to all standard systems specification guidelines.
- Gallery Panels are constructed of laminated particle board. Because of their nature, such components have a tendency to bow due to humidity and changes in climate.

# Gallery Panels

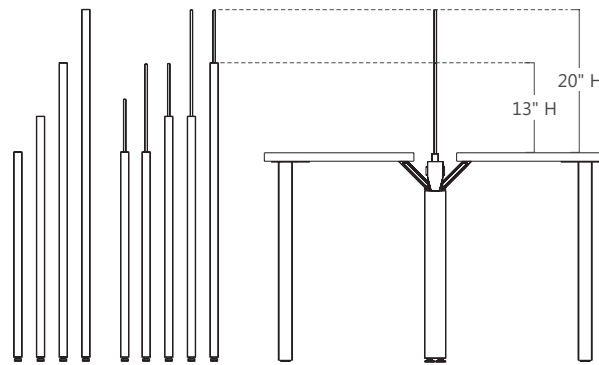
## Dimensions

GSA SIN 33721

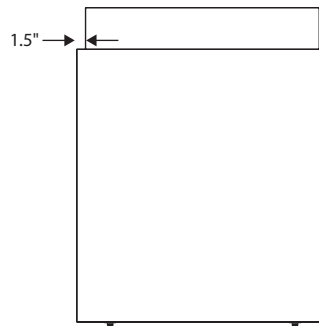
### Gallery Panel Widths



Gallery Panel Heights



- Gallery Panels for use with glass offer a routed top edge.
- Glass mounts directly into the Gallery Panel route via a gasket.
- The routing is inset 1½" from each end of the panel.
- Single-piece Gallery Panels for use with integrated glass require glass 3" shorter than the panel width.
- Glass is available in 3 colors: Clear, Frosted, Smoked.
- Glass height is available in 7½"H, 13"H, 15"H.
- Glass is available on all Gallery Panel widths.
- For benching systems, maximum allowable benching height cannot exceed 50"H with or without glass. Overall Gallery Panel height includes the glass.
- Specify glass models separate from Gallery Panel models.
- Glass Panels at 30"W and under are not UL listed.

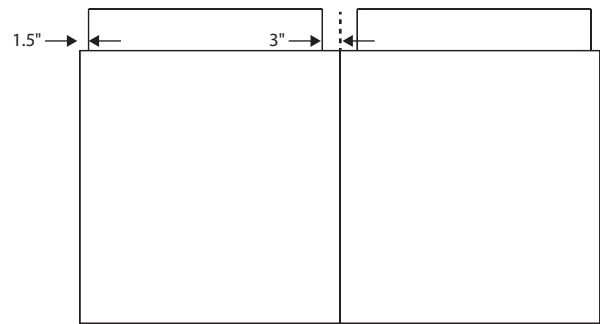


Single Panel with Glass

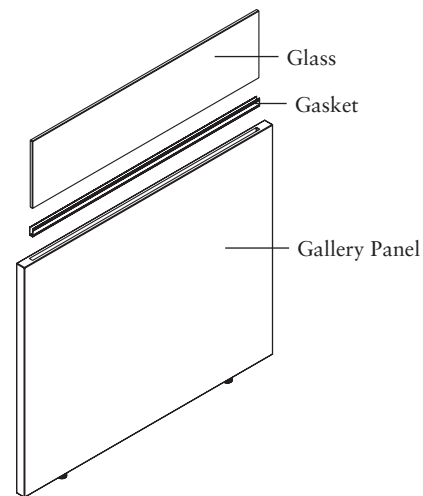
Find the Gallery Glass width appropriate for your Gallery Panel width.

Shaded example:  
For the 18"W Gallery Panel, Gallery Glass should be ordered with width of 15".

Gallery Panel Width \ Gallery Glass Height	7.5"H
	Gallery Glass Order Width
18"W Gallery Panel	15"W
21"W Gallery Panel	18"W
24"W Gallery Panel	21"W
27"W Gallery Panel	24"W
30"W Gallery Panel	27"W
33"W Gallery Panel	30"W
36"W Gallery Panel	33"W
39"W Gallery Panel	36"W
42"W Gallery Panel	39"W
45"W Gallery Panel	42"W
48"W Gallery Panel	45"W
51"W Gallery Panel	48"W
54"W Gallery Panel	51"W
57"W Gallery Panel	54"W
60"W Gallery Panel	57"W
63"W Gallery Panel	60"W
66"W Gallery Panel	63"W
69"W Gallery Panel	66"W
72"W Gallery Panel	69"W
75"W Gallery Panel	72"W
78"W Gallery Panel	75"W
81"W Gallery Panel	78"W
84"W Gallery Panel	81"W

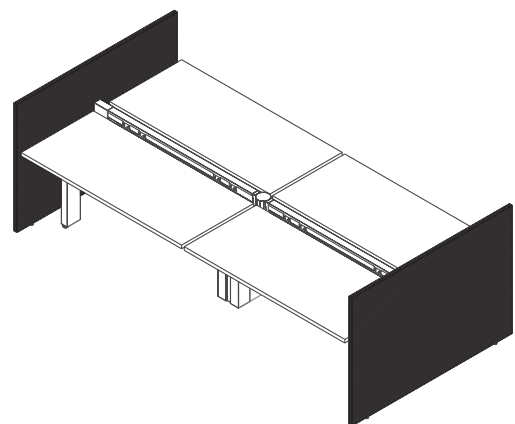
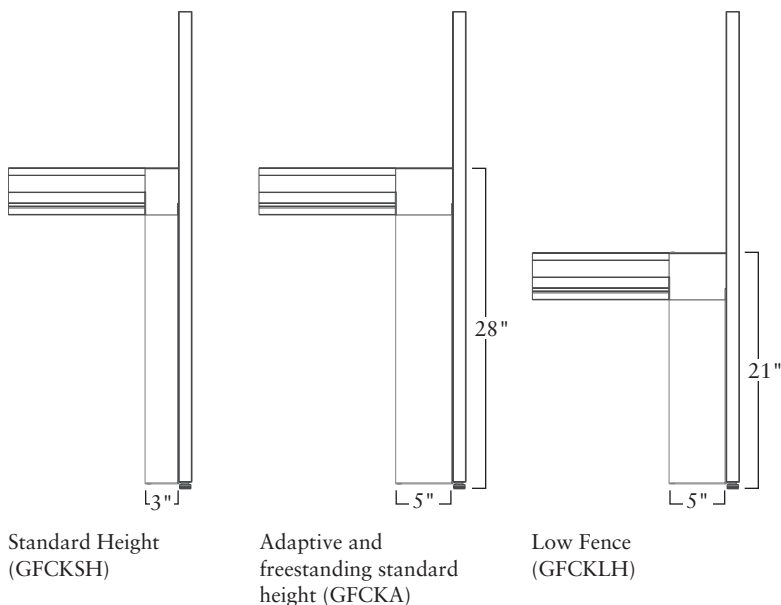
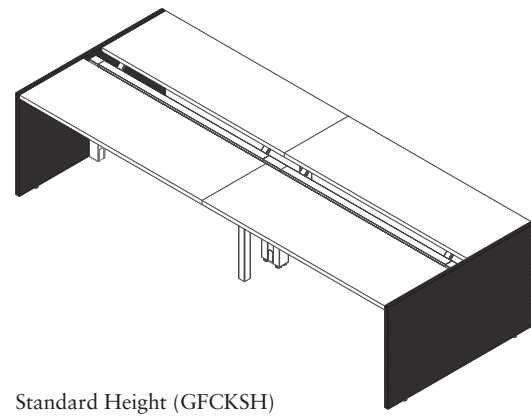
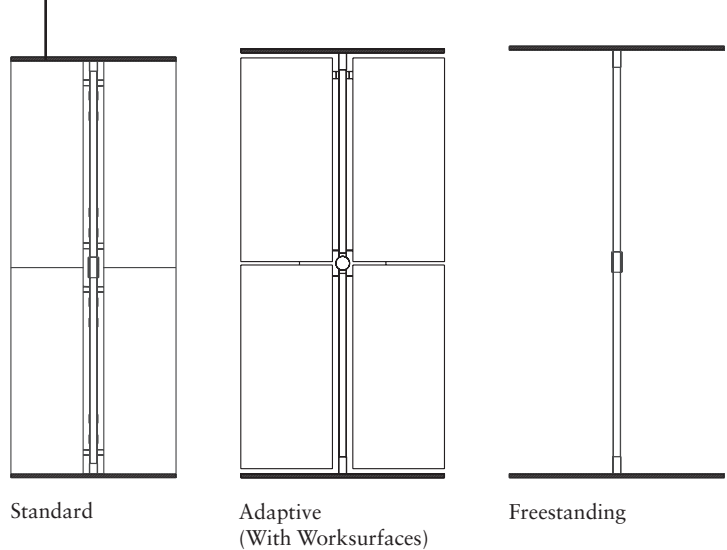


Split Panel with Glass

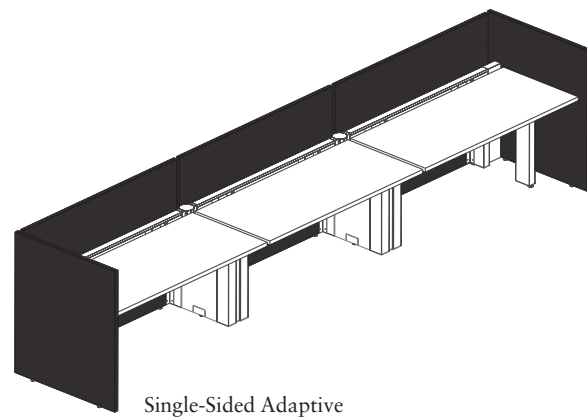
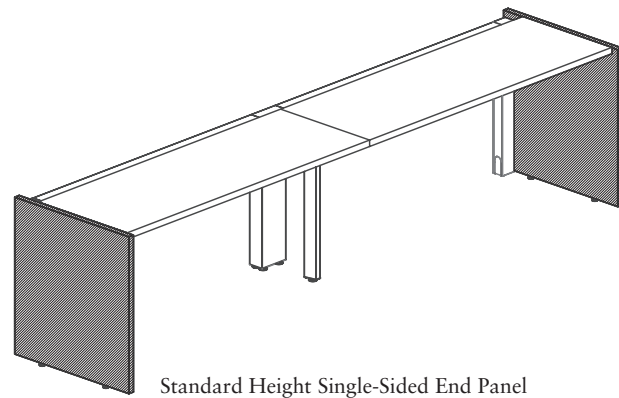
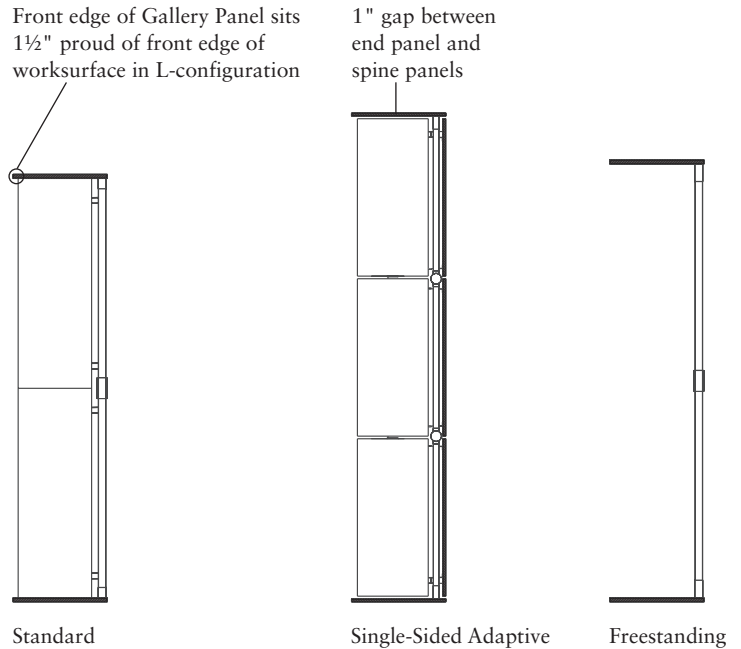


- Gallery Panels provide support for beam and worksurfaces.
- Provides privacy to one or both ends of the system in a dual-sided application.
- End Panel sizes are available from 48" W to 84" W.
- Maximum overall height is 50" H. Integrated glass is included in overall height.
- All T-configurations connect using one of the following connector kits:
  - GFCKSH - standard-height tethered applications
  - GFCKA - Adaptive or standard-height freestanding beam applications.
  - GFCKLH - low freestanding beam applications
- Connector kits are infeed and data accessible.
- Chicago and NY electrical junction boxes are not compatible with the kits.
- Connector kits do not accept power poles.
- End Panel can be used for off-modular planning, connector kit location must be field-measured.
- In standard height tethered applications, use Z6LB bracket to tie worksurface to Gallery Panel.
- Gallery Panels line up with the edge of the worksurface.
- In tethered applications, the gallery panel must meet or exceed the depth of the worksurfaces.
- In a freestanding application, minimum beam run must total 98" W. This includes connector kit.

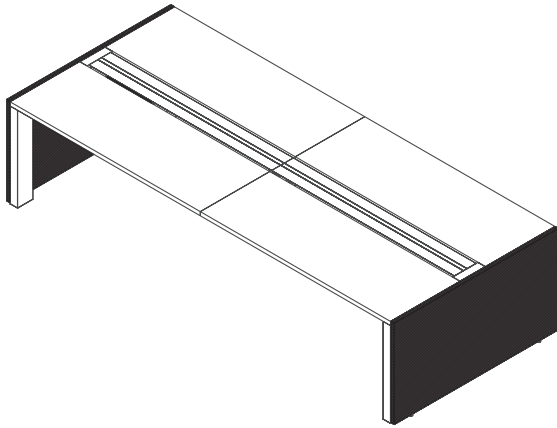
Front edge of worksurface is flush to Gallery Panel in End Panel configuration



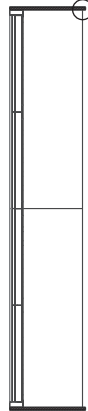
- Gallery Panels provide support for beam and worksurface.
- Provides privacy to one or both ends of the system in a single-sided application.
- Single-Sided End Panel sizes are available from 33" W to 84" W.
- Maximum overall height is 50" H. Integrated glass is included in overall height.
- All Single-Sided End Panels connect using one of the following connector kits:
  - GFCKSH - standard-height tethered applications
  - GFCKA - Adaptive or standard-height freestanding beam applications.
  - GFCKLH - low freestanding beam applications
- Connector kits are infed and data accessible. Connector kits do not accept power poles.
- Chicago and NY electrical junction boxes are not compatible with the kits.
- In standard height tethered applications, use Z6LB bracket to tie worksurface to Gallery Panel.
- Gallery Panels extend 1½" past front edge of the worksurface. Specify gallery panel 6" longer than the depth of worksurface.
- In tethered applications, the gallery panel must meet or exceed the depth of the worksurfaces.
- In a freestanding application, minimum beam run must total 98" W. This includes connector kit.
- Single-Sided End Panels may not utilize a single beam between two gallery panels.
- Gallery Panel sizes 66" W or greater require storage or worksurface tie in. Please reference storage and worksurface support sections for more details.
- Single-sided Adaptive requires a minimum of 42" H Gallery Panels along the beam run. Panel widths must match worksurface widths.
- One connector kit (U6GPSS) required for each gallery panel – ordered separately.
- Standard specification creates 1" gap between all gallery panels.
- End Gallery Panels may be specified to align with back panels.
- U3SSHAFa used to mount single-sided Adaptive supports to floor if Gallery panels are not desired.
- Kit includes brackets for 2 end supports and 2 mid-supports.
- Hardware for mounting to floor is not included.



- Provides privacy to one or both ends of the system.
- End Panel (Dual-Sided) sizes are available from 54"W to 84"W.
- End Panel (Single-Sided) sizes are available from 33"W to 84"W.
- Maximum overall height is 50"H. Integrated glass is included in overall height.

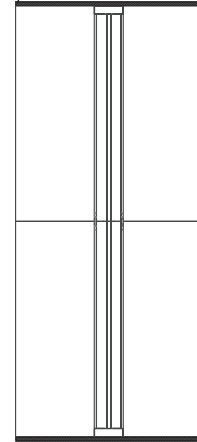


Front edge of panel sits 1¼" proud of worksurface in Single-Sided configuration



Single-Sided

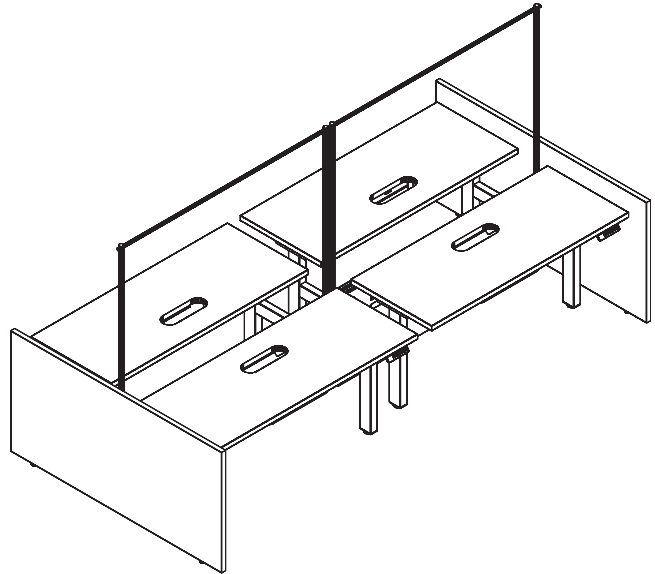
Front edge of worksurface is flush to Gallery Panel in Dual-Sided configuration



Dual-Sided

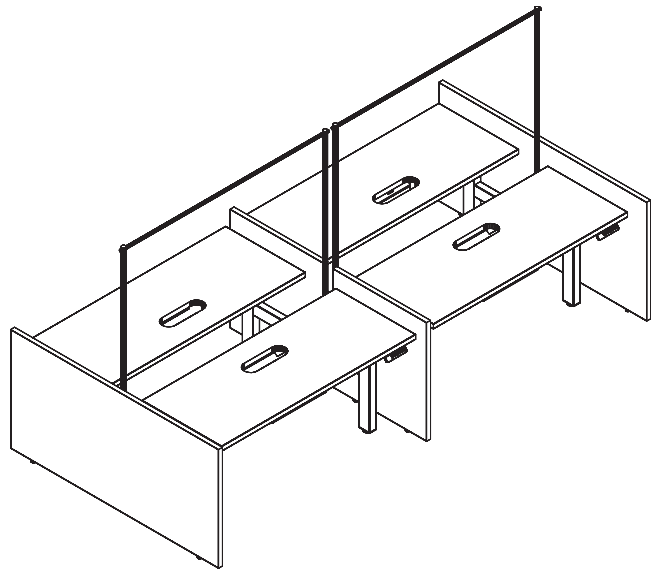
### Overview:

- Gallery Panels provide support for fence and worksurfaces.
- Provides privacy to one or both ends of the system in a dual-sided application.
- Gallery Panels line up with the edge of the worksurface.
- Freestanding Mural to Gallery Panels (no integrated tables) requires a minimum 98" of Mural system spine length OR gallery panels on both ends of spine.
- Maximum overall height is 50" H. Integrated glass is included in overall height.
- In tethered applications, the gallery panel must meet or exceed the depth of the worksurfaces.



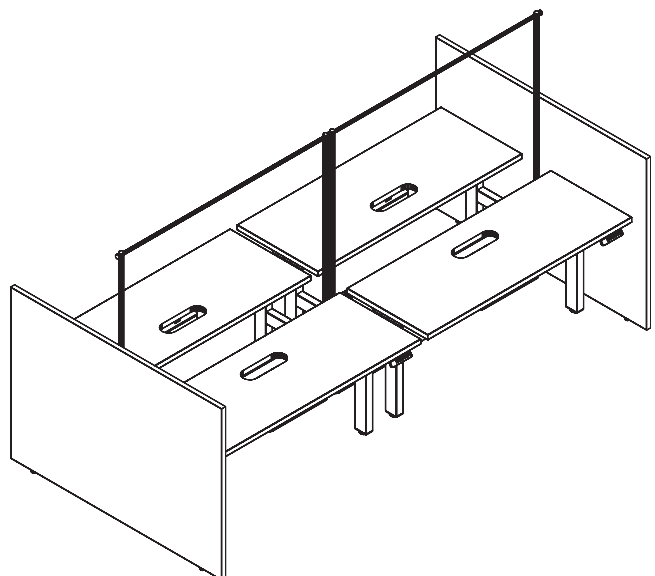
### End Panel:

- Dual-sided applications end of run available in all single and split gallery panel sizes.
- Single-sided applications available in all single gallery panel sizes.
- Mural end panels connect using GSCKP connector kit.
- When split gallery panels are specified, hardware kit must also be specified GSHW.
- End Panel sizes are available from 48"W to 84"W. Gallery panels 66"W and greater require additional tie in (ex: credenza, HAT tie in bracket).
- Split End Panel seams must align with parent run.



### Mid-Panel:

- Dual-sided applications with mid-placement available in all single gallery panel sizes.
- Single-sided applications available in all single gallery panel sizes.
- Mid-connector kit required per gallery panel to attach to fence.
- For dual-sided applications, specify GSCKPMD.
- For single-sided applications, specify GSCKPMS.
- Mid Panels are available in 18"-84" widths in 3" increments.
- Gallery panels 66"W and greater require worksurface or storage tie-in. Please reference storage and worksurface support section for details.



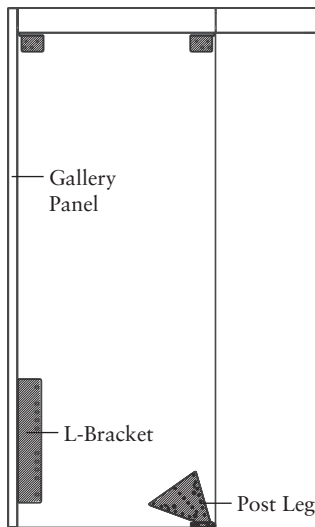
### Connector Kits:

- Connector kits are infed and data accessible.
- Connector kits do not accept power poles.
- End Panel can be used for off-modular planning, connector kit location must be field-measured.

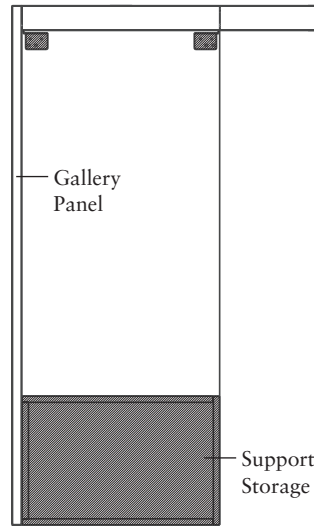


- To connect to laminate storage use GSGKL or GSGKM for metal storage.
- To connect to worksurface use Z6LB bracket when used in perpendicular to parent run or use standard systems cantilever brackets when used in parallel to parent run in panel systems.
- Perpendicular surfaces connected to a Gallery Panel over 60"W require (2) Z6LB Brackets.

### Panel Systems



Perpendicular panel system with L-bracket (Z6LB) and post leg.

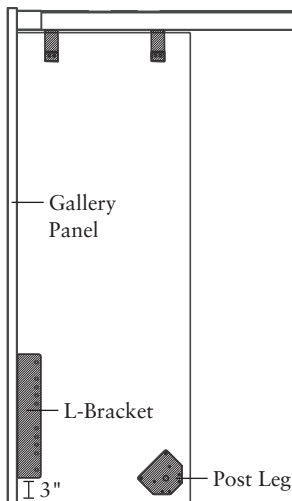


Perpendicular panel system with storage support.

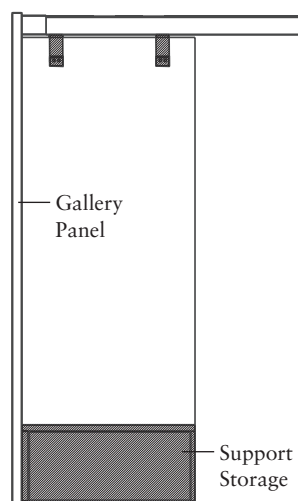


Panel system with cantilever support.

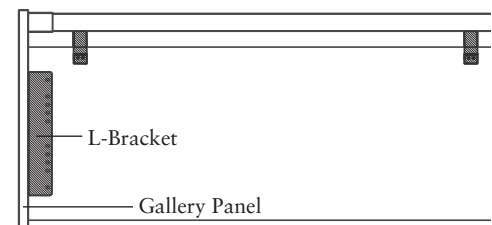
### Further System



Further perpendicular with L-bracket (Z6LB), worksurface brackets, and post leg.

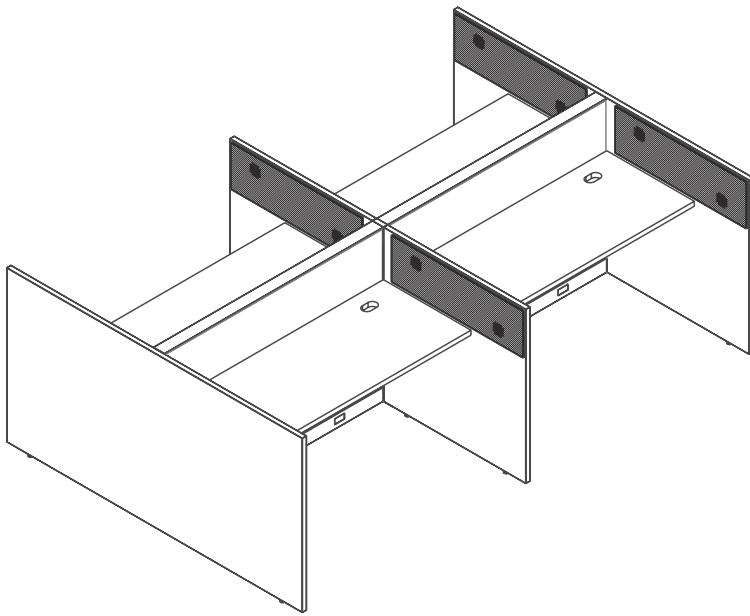


Further perpendicular with storage support and worksurface brackets.

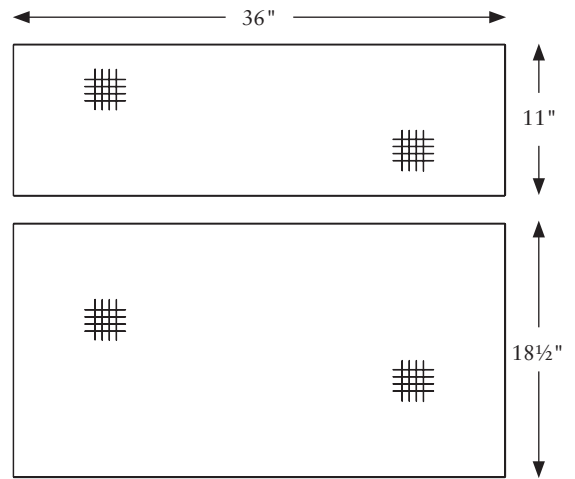


Further perpendicular with L-bracket (Z6LB) and worksurface brackets.

- Provides tackable surface
- Comes with steel-painted trim
- Available in 36" W and in two heights: 11" H and 18½" H
- For use with a minimum 39" W Gallery Panel
- Mounts directly to Gallery Panel. Mounting hardware included.



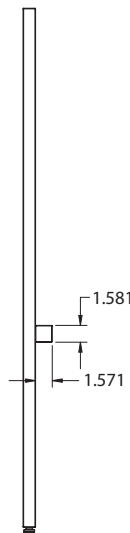
Tackboard Accessory on Mid and End Gallery Panels. Example of the typical is illustrated using a Panel System.



Tackboard Accessory dimensions

### Gallery Panel Stiffeners

- Required for single-piece panels 75" W and greater that are used in a wing or single-sided end condition and do not have a horizontally-mounted credenza.
- For panels 75" W and 78" W, order model (GSTFN7578). Stiffener width is 72".
- For panels 81" W and 84" W, order model (GSTFN8184). Stiffener width is 78".
- Attaches directly to one side of the Gallery Panel with a painted metal cover, attachment hardware included.
- Placement on panel face must be at least 18" above the floor but is not restricted to a specific location on the panel.
- Stiffener is 1½" x 1½".
- Available in any Allsteel standard paint color

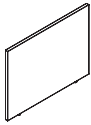


# Gallery Panels

22"H Application

For Gallery Panel connectors see page 172-173.

GSA SIN 33721



Description	Model	List Price		
		L1	L2	L3
<b>22"H Gallery Panels</b>				
18"W	G2218	\$ 380	\$ 396	\$ 412
21"W	G2221	\$ 396	\$ 413	\$ 430
24"W	G2224	\$ 420	\$ 438	\$ 456
27"W	G2227	\$ 450	\$ 469	\$ 488
30"W	G2230	\$ 513	\$ 535	\$ 556
33"W	G2233	\$ 544	\$ 567	\$ 590
36"W	G2236	\$ 571	\$ 595	\$ 619
39"W	G2239	\$ 620	\$ 646	\$ 673
42"W	G2242	\$ 671	\$ 699	\$ 728
45"W	G2245	\$ 733	\$ 764	\$ 795
48"W	G2248	\$ 767	\$ 799	\$ 832
51"W	G2251	\$ 781	\$ 814	\$ 847
54"W	G2254	\$ 818	\$ 853	\$ 887
57"W	G2257	\$ 855	\$ 891	\$ 927
60"W	G2260	\$ 896	\$ 934	\$ 972
63"W	G2263	\$ 910	\$ 949	\$ 987
66"W	G2266	\$ 930	\$ 969	\$ 1009
69"W	G2269	\$ 996	\$ 1038	\$ 1080
72"W	G2272	\$ 1026	\$ 1069	\$ 1113
75"W	G2275	\$ 1163	\$ 1212	\$ 1261
78"W	G2278	\$ 1208	\$ 1259	\$ 1310
81"W	G2281	\$ 1251	\$ 1304	\$ 1357
87"W	G2287	\$ 1276	\$ 1337	\$ 1398
93"W	G2293	\$ 1320	\$ 1383	\$ 1445
99"W	G2299	\$ 1339	\$ 1402	\$ 1466
105"W	G22105	\$ 1368	\$ 1433	\$ 1497
84"W	G2284	\$ 1373	\$ 1431	\$ 1489
111"W	G22111	\$ 1443	\$ 1511	\$ 1579
117"W	G22117	\$ 1485	\$ 1555	\$ 1624
123"W	G22123	\$ 1498	\$ 1568	\$ 1638
129"W	G22129	\$ 1538	\$ 1610	\$ 1682
135"W	G22135	\$ 1608	\$ 1683	\$ 1758
141"W	G22141	\$ 1689	\$ 1767	\$ 1845
147"W	G22147	\$ 1779	\$ 1861	\$ 1943

<p><b>How to specify —</b> Select the Model Number from above.</p>	<p><b>1st Option:</b> <b>FSC:</b> F FSC Wood X Non-FSC Wood</p>	<p><b>2nd Option:</b> <b>Laminate:</b> See page 150 for finishes.</p>	<p><b>3rd Option:</b> <b>Edge:</b> See page 150 for finishes.</p>	<p><b>4th Option:</b> <b>Grain:</b> VLG Horizontal grain or Solid only. VST Vertical Grain (available only for single panels 60"W or less.</p>	<p><b>5th Option:</b> <b>Glide:</b></p>
G   2   2         .	.	.	.	V       .	G

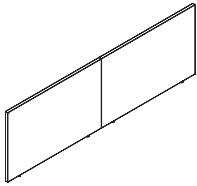
Example: G2218.X.LT11.TI.VLG.G

# Gallery Panels

22"H Application

For Gallery Panel connectors see page 172-173.

GSA SIN 33721



Description	Model	List Price		
		L1	L2	L3
<b>22"H Gallery Split Panels</b>				
81"W	GS2281	\$ 1187	\$ 1237	\$ 1288
87"W	GS2287	\$ 1435	\$ 1496	\$ 1557
93"W	GS2293	\$ 1479	\$ 1542	\$ 1604
99"W	GS2299	\$ 1498	\$ 1561	\$ 1625
105"W	GS22105	\$ 1527	\$ 1592	\$ 1656
111"W	GS22111	\$ 1602	\$ 1670	\$ 1738
117"W	GS22117	\$ 1644	\$ 1714	\$ 1783
123"W	GS22123	\$ 1657	\$ 1727	\$ 1797
129"W	GS22129	\$ 1697	\$ 1769	\$ 1841
135"W	GS22135	\$ 1767	\$ 1842	\$ 1917
141"W	GS22141	\$ 1848	\$ 1926	\$ 2004
147"W	GS22147	\$ 1938	\$ 2020	\$ 2102

**How to specify —**  
Select the Model Number from above.

**1st Option:**

**FSC:**  
F FSC Wood  
X Non-FSC Wood

**2nd Option:**

**Laminate:**  
See page 150 for finishes.

**3rd Option:**

**Edge:**  
See page 150 for finishes.

**4th Option:**

**Grain:**  
VLG Horizontal grain or Solid only.  
VST Vertical Grain (available only for single panels 60"W or less.

**5th Option:**

**Glide:**

GS22 | | | | | . | | .

| | | | | .

| | | .

V | | | .

G |

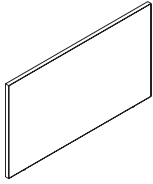
Example: GS2281.X.LT11.TI.VLG.G

# Gallery Panels

30"H Application

For Gallery Panel connectors see page 172-173.

GSA SIN 33721



Description	Model	Configuration	List Price		
			L1	L2	L3
<b>30"H Gallery Panels</b>					
33"W	G3033	S	\$ 604	\$ 626	\$ 647
36"W	G3036	S	\$ 635	\$ 658	\$ 680
39"W	G3039	S	\$ 690	\$ 715	\$ 739
42"W	G3042	S	\$ 746	\$ 772	\$ 799
45"W	G3045	S	\$ 814	\$ 843	\$ 872
48"W	G3048	D, S	\$ 852	\$ 882	\$ 913
51"W	G3051	D, S	\$ 867	\$ 898	\$ 929
54"W	G3054	D, S	\$ 909	\$ 941	\$ 974
57"W	G3057	D, S	\$ 949	\$ 983	\$ 1016
60"W	G3060	D, S	\$ 995	\$ 1030	\$ 1066
63"W	G3063	D, S	\$ 1012	\$ 1048	\$ 1084
66"W	G3066	D, S	\$ 1034	\$ 1071	\$ 1107
69"W	G3069	D, S	\$ 1108	\$ 1147	\$ 1187
72"W	G3072	D, S	\$ 1140	\$ 1180	\$ 1221
75"W	G3075	D, S	\$ 1292	\$ 1338	\$ 1384
78"W	G3078	D, S	\$ 1342	\$ 1390	\$ 1437
81"W	G3081	D, S	\$ 1390	\$ 1439	\$ 1489
84"W	G3084	D, S	\$ 1527	\$ 1581	\$ 1635

**Note:** Configuration is not included in model number

- S End Single Sided
- D End Dual Sided

<p><b>How to specify —</b> Select the Model Number from above.</p>	<p><b>1st Option:</b> <b>FSC:</b> F FSC Wood X Non-FSC Wood</p>	<p><b>2nd Option:</b> <b>Laminate:</b> See page 150 for finishes.</p>	<p><b>3rd Option:</b> <b>Edge:</b> See page 150 for finishes.</p>	<p><b>4th Option:</b> <b>Grain:</b> VLG Horizontal grain or Solid only. VST Vertical Grain (available only for single panels 60"W or less.</p>	<p><b>5th Option:</b> <b>Glide:</b></p>
G 3 0       .	.	.	.	V       .	G

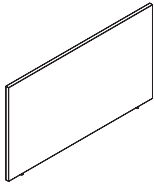
Example: G3033.X.LT11.TI.VLG.G

# Gallery Panels

35"H Application

For Gallery Panel connectors see page 172-173.

GSA PENDING



Description	Model	Configuration	List Price		
			L1	L2	L3
<b>35"H Gallery Panels</b>					
33"W	G3533	S	\$ 715	\$ 741	\$ 767
36"W	G3536	S	\$ 758	\$ 786	\$ 813
39"W	G3539	S	\$ 810	\$ 840	\$ 869
42"W	G3542	S	\$ 846	\$ 877	\$ 908
45"W	G3545	S	\$ 898	\$ 931	\$ 963
48"W	G3548	D, S	\$ 937	\$ 971	\$ 1005
51"W	G3551	D, S	\$ 969	\$ 1004	\$ 1039
54"W	G3554	D, S	\$ 1003	\$ 1040	\$ 1076
57"W	G3557	D, S	\$ 1044	\$ 1082	\$ 1120
60"W	G3560	D, S	\$ 1078	\$ 1117	\$ 1156
63"W	G3563	D, S	\$ 1102	\$ 1142	\$ 1182
66"W	G3566	D, S	\$ 1134	\$ 1175	\$ 1216
69"W	G3569	D, S	\$ 1189	\$ 1232	\$ 1275
72"W	G3572	D, S	\$ 1244	\$ 1289	\$ 1334
75"W	G3575	D, S	\$ 1341	\$ 1390	\$ 1438
78"W	G3578	D, S	\$ 1411	\$ 1462	\$ 1513
81"W	G3581	D, S	\$ 1517	\$ 1572	\$ 1627
84"W	G3584	D, S	\$ 1661	\$ 1721	\$ 1781

**Note:** Configuration is not included in model number

- S End Single Sided
- D End Dual Sided

**How to specify —**  
Select the Model Number from above.

**1st Option:**

- FSC:**  
F FSC Wood  
X Non-FSC Wood

**2nd Option:**

**Laminate:**  
See page 150 for finishes.

**3rd Option:**

**Edge:**  
See page 150 for finishes.

**4th Option:**

**Grain:**  
VLG Horizontal grain or Solid only.  
VST Vertical Grain (available only for single panels 60"W or less.

**5th Option:**

**Glide:**

G 3 5 | | | .

| | .

| | | | | .

| | | .

V | | | .

G |

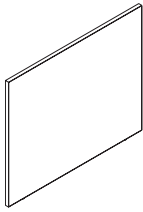
Example: G3533.X.LT11.TI.VLG.G

# Gallery Panels

42"H Application

For Gallery Panel connectors see page 172-173.

GSA SIN 33721



Description	Model	Configuration	List Price		
			L1	L2	L3
<b>42"H Gallery Panels</b>					
33"W	G4233	S	\$ 799	\$ 827	\$ 856
36"W	G4236	S	\$ 846	\$ 876	\$ 906
39"W	G4239	S	\$ 906	\$ 938	\$ 970
42"W	G4242	S	\$ 944	\$ 978	\$ 1011
45"W	G4245	S	\$ 979	\$ 1014	\$ 1049
48"W	G4248	D, S	\$ 1019	\$ 1055	\$ 1091
51"W	G4251	D, S	\$ 1083	\$ 1121	\$ 1160
54"W	G4254	D, S	\$ 1117	\$ 1157	\$ 1196
57"W	G4257	D, S	\$ 1144	\$ 1185	\$ 1225
60"W	G4260	D, S	\$ 1187	\$ 1229	\$ 1271
63"W	G4263	D, S	\$ 1219	\$ 1262	\$ 1306
66"W	G4266	D, S	\$ 1259	\$ 1304	\$ 1348
69"W	G4269	D, S	\$ 1283	\$ 1329	\$ 1374
72"W	G4272	D, S	\$ 1357	\$ 1405	\$ 1453
75"W	G4275	D, S	\$ 1405	\$ 1455	\$ 1505
78"W	G4278	D, S	\$ 1493	\$ 1546	\$ 1599
81"W	G4281	D, S	\$ 1668	\$ 1727	\$ 1786
84"W	G4284	D, S	\$ 1796	\$ 1860	\$ 1923

**Note:** Configuration is not included in model number

- S End Single Sided
- D End Dual Sided

<p><b>How to specify —</b> Select the Model Number from above.</p>	<p><b>1st Option:</b> <b>FSC:</b> F FSC Wood X Non-FSC Wood</p>	<p><b>2nd Option:</b> <b>Laminate:</b> See page 150 for finishes.</p>	<p><b>3rd Option:</b> <b>Edge:</b> See page 150 for finishes.</p>	<p><b>4th Option:</b> <b>Grain:</b> VLG Horizontal grain or Solid only. VST Vertical Grain (available only for single panels 60"W or less.</p>	<p><b>5th Option:</b> <b>Glide:</b></p>
G   4   2       .	.	.	.	V       .	G

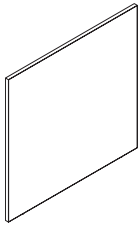
Example: G4233.X.LT11.TI.VLG.G

# Gallery Panels

50"H Application

For Gallery Panel connectors see page 172-173.

GSA SIN 33721



Description	Model	Configuration	List Price		
			L1	L2	L3
<b>50"H Gallery Panels</b>					
33"W	G5033	S	\$ 886	\$ 917	\$ 949
36"W	G5036	S	\$ 930	\$ 963	\$ 996
39"W	G5039	S	\$ 987	\$ 1022	\$ 1057
42"W	G5042	S	\$ 1040	\$ 1077	\$ 1114
45"W	G5045	S	\$ 1117	\$ 1157	\$ 1196
48"W	G5048	D, S	\$ 1144	\$ 1185	\$ 1225
51"W	G5051	D, S	\$ 1175	\$ 1217	\$ 1258
54"W	G5054	D, S	\$ 1224	\$ 1267	\$ 1311
57"W	G5057	D, S	\$ 1256	\$ 1301	\$ 1345
60"W	G5060	D, S	\$ 1293	\$ 1339	\$ 1385
63"W	G5063	D, S	\$ 1321	\$ 1368	\$ 1415
66"W	G5066	D, S	\$ 1358	\$ 1406	\$ 1454
69"W	G5069	D, S	\$ 1398	\$ 1448	\$ 1497
72"W	G5072	D, S	\$ 1436	\$ 1487	\$ 1538
75"W	G5075	D, S	\$ 1532	\$ 1586	\$ 1641
78"W	G5078	D, S	\$ 1682	\$ 1742	\$ 1801
81"W	G5081	D, S	\$ 1825	\$ 1890	\$ 1955
84"W	G5084	D, S	\$ 1951	\$ 2020	\$ 2089

**Note:** Configuration is not included in model number

- S End Single Sided
- D End Dual Sided

**How to specify —**  
Select the Model Number from above.

**1st Option:**

- FSC:**  
F FSC Wood  
X Non-FSC Wood

**2nd Option:**

**Laminate:**  
See page 150 for finishes.

**3rd Option:**

**Edge:**  
See page 150 for finishes.

**4th Option:**

**Grain:**  
VLG Horizontal grain or Solid only.  
VST Vertical Grain (available only for single panels 60"W or less.

**5th Option:**

**Glide:**

G 5 0 | | | .

| | .

| | | | .

| | .

V | | | .

G |

Example: G5033.X.LT11.TI.VLG.G

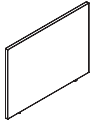


# Gallery Panels

## 22"H Application for Use with Glass

For Gallery Panel Glass see page 174.  
For Gallery Panel connectors see page 172-173.

GSA SIN 33721



Description	Model	List Price			Accepts Glass Models
		L1	L2	L3	7½"H, 13"H, 15"H
<b>22"H Gallery Panels with Glass</b>					
18"W	G2218G	\$ 596	\$ 621	\$ 646	G4 □□ 18GS
21"W	G2221G	\$ 612	\$ 638	\$ 664	G4 □□ 21GS
24"W	G2224G	\$ 636	\$ 663	\$ 690	G4 □□ 24GS
27"W	G2227G	\$ 667	\$ 695	\$ 723	G4 □□ 27GS
30"W	G2230G	\$ 729	\$ 760	\$ 791	G4 □□ 30GS
33"W	G2233G	\$ 760	\$ 792	\$ 824	G4 □□ 33GS
36"W	G2236G	\$ 788	\$ 821	\$ 855	G4 □□ 36GS
39"W	G2239G	\$ 837	\$ 872	\$ 908	G4 □□ 39GS
42"W	G2242G	\$ 888	\$ 926	\$ 963	G4 □□ 42GS
45"W	G2245G	\$ 949	\$ 989	\$ 1029	G4 □□ 45GS
48"W	G2248G	\$ 983	\$ 1025	\$ 1066	G4 □□ 48GS
51"W	G2251G	\$ 997	\$ 1039	\$ 1081	G4 □□ 51GS
54"W	G2254G	\$ 1035	\$ 1079	\$ 1123	G4 □□ 54GS
57"W	G2257G	\$ 1071	\$ 1116	\$ 1162	G4 □□ 57GS
60"W	G2260G	\$ 1112	\$ 1159	\$ 1206	G4 □□ 60GS
63"W	G2263G	\$ 1126	\$ 1174	\$ 1221	G4 □□ 63GS
66"W	G2266G	\$ 1146	\$ 1195	\$ 1243	G4 □□ 66GS
69"W	G2269G	\$ 1212	\$ 1263	\$ 1315	G4 □□ 69GS
72"W	G2272G	\$ 1242	\$ 1295	\$ 1347	G4 □□ 72GS
75"W	G2275G	\$ 1380	\$ 1438	\$ 1497	G4 □□ 75GS
78"W	G2278G	\$ 1424	\$ 1484	\$ 1545	G4 □□ 78GS
81"W	G2281G	\$ 1467	\$ 1529	\$ 1591	G4 □□ 81GS
87"W	G2287G	\$ 1493	\$ 1563	\$ 1633	G4 □□ 87GS
93"W	G2293G	\$ 1537	\$ 1609	\$ 1681	G4 □□ 93GS
99"W	G2299G	\$ 1555	\$ 1628	\$ 1700	G4 □□ 99GS
105"W	G22105G	\$ 1584	\$ 1658	\$ 1732	G4 □□ 105GS
84"W	G2284G	\$ 1589	\$ 1656	\$ 1724	G4 □□ 84GS
111"W	G22111G	\$ 1659	\$ 1736	\$ 1813	G4 □□ 111GS
117"W	G22117G	\$ 1701	\$ 1780	\$ 1858	G4 □□ 117GS
123"W	G22123G	\$ 1714	\$ 1793	\$ 1873	G4 □□ 123GS
129"W	G22129G	\$ 1755	\$ 1836	\$ 1917	G4 □□ 129GS
135"W	G22135G	\$ 1824	\$ 1908	\$ 1992	G4 □□ 135GS
141"W	G22141G	\$ 1905	\$ 1992	\$ 2080	G4 □□ 141GS
147"W	G22147G	\$ 1995	\$ 2086	\$ 2177	G4 □□ 147GS

**Note:** Fill in model number blanks with one of the following options to determine glass height.

- 07 7.5"H glass
- 13 13"H glass
- 15 15"H glass

<b>How to specify —</b> Select the Model Number from above.	<b>1st Option:</b> <b>FSC:</b> F FSC Wood X Non-FSC Wood	<b>2nd Option:</b> <b>Laminate:</b> See page 150 for finishes.	<b>3rd Option:</b> <b>Edge:</b> See page 150 for finishes.	<b>4th Option:</b> <b>Grain:</b> VLG Horizontal grain or Solid only. VST Vertical Grain (available only for single panels 60"W or less.	<b>5th Option:</b> <b>Glide:</b>
G   S   2   2           .     .	.	.	.	V       .	G

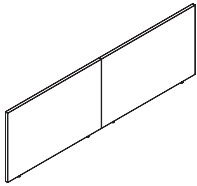
Example: G2218G.X.LT11.TI.VLG.G

# Gallery Panels

## 22"H Application for Use with Glass

For Gallery Panel Glass see page 174.  
For Gallery Panel connectors see page 172-173.

GSA SIN 33721



Description	Model	List Price			Accepts Glass Models 7½"H, 13"H, 15"H
		L1	L2	L3	
<b>22"H Gallery Split Panels with Glass</b>					
81"W	GS2281G	\$ 1403	\$ 1462	\$ 1522	G4 □ □ 81GS
87"W	GS2287G	\$ 1652	\$ 1722	\$ 1792	G4 □ □ 89GS
93"W	GS2293G	\$ 1696	\$ 1768	\$ 1840	G4 □ □ 93GS
99"W	GS2299G	\$ 1714	\$ 1787	\$ 1859	G4 □ □ 99GS
105"W	GS22105G	\$ 1743	\$ 1817	\$ 1891	G4 □ □ 105GS
111"W	GS22111G	\$ 1818	\$ 1895	\$ 1972	G4 □ □ 111GS
117"W	GS22117G	\$ 1860	\$ 1939	\$ 2017	G4 □ □ 117GS
123"W	GS22123G	\$ 1873	\$ 1952	\$ 2032	G4 □ □ 123GS
129"W	GS22129G	\$ 1914	\$ 1995	\$ 2076	G4 □ □ 129GS
135"W	GS22135G	\$ 1983	\$ 2067	\$ 2151	G4 □ □ 135GS
141"W	GS22141G	\$ 2064	\$ 2151	\$ 2239	G4 □ □ 141GS
147"W	GS22147G	\$ 2154	\$ 2245	\$ 2336	G4 □ □ 147GS

**Note:** Fill in model number blanks with one of the following options to determine glass height.

- 07 7.5"H glass
- 13 13"H glass
- 15 15"H glass

<p><b>How to specify —</b> Select the Model Number from above.</p>	<p><b>1st Option:</b> <b>FSC:</b> F FSC Wood X Non-FSC Wood</p>	<p><b>2nd Option:</b> <b>Laminate:</b> See page 150 for finishes.</p>	<p><b>3rd Option:</b> <b>Edge:</b> See page 150 for finishes.</p>	<p><b>4th Option:</b> <b>Grain:</b> VLG Horizontal grain or Solid only. VST Vertical Grain (available only for single panels 60"W or less.</p>	<p><b>5th Option:</b> <b>Glide:</b></p>
<p>GS 2 2                 .     .</p>					

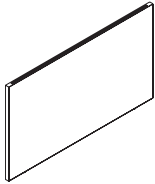
Example: GS2281G.X.LT11.TI.VLG.G

# Gallery Panels

## 30"H Application for Use with Glass

For Gallery Panel Glass see page 174.  
For Gallery Panel connectors see page 172-173.

GSA SIN 33721



Description	Model	Configuration	List Price			Accepts Glass Models
			L1	L2	L3	7½"H, 13"H, 15"H
<b>30"H Gallery Panels with Glass</b>						
33"W	G3033G	S	\$ 822	\$ 851	\$ 880	G4 □□ 30GS
36"W	G3036G	S	\$ 852	\$ 882	\$ 913	G4 □□ 33GS
39"W	G3039G	S	\$ 906	\$ 938	\$ 970	G4 □□ 36GS
42"W	G3042G	S	\$ 961	\$ 995	\$ 1029	G4 □□ 39GS
45"W	G3045G	S	\$ 1029	\$ 1066	\$ 1102	G4 □□ 42GS
48"W	G3048G	D, S	\$ 1068	\$ 1106	\$ 1144	G4 □□ 45GS
51"W	G3051G	D, S	\$ 1083	\$ 1121	\$ 1160	G4 □□ 48GS
54"W	G3054G	D, S	\$ 1125	\$ 1165	\$ 1205	G4 □□ 51GS
57"W	G3057G	D, S	\$ 1165	\$ 1206	\$ 1248	G4 □□ 54GS
60"W	G3060G	D, S	\$ 1210	\$ 1253	\$ 1296	G4 □□ 57GS
63"W	G3063G	D, S	\$ 1227	\$ 1271	\$ 1314	G4 □□ 60GS
66"W	G3066G	D, S	\$ 1249	\$ 1293	\$ 1338	G4 □□ 63GS
69"W	G3069G	D, S	\$ 1324	\$ 1371	\$ 1418	G4 □□ 66GS
72"W	G3072G	D, S	\$ 1356	\$ 1404	\$ 1452	G4 □□ 69GS
75"W	G3075G	D, S	\$ 1507	\$ 1561	\$ 1614	G4 □□ 72GS
78"W	G3078G	D, S	\$ 1560	\$ 1615	\$ 1671	G4 □□ 75GS
81"W	G3081G	D, S	\$ 1607	\$ 1664	\$ 1721	G4 □□ 78GS
84"W	G3084G	D, S	\$ 1742	\$ 1804	\$ 1866	G4 □□ 81GS

**Note:** Configuration is not included in model number

- S End Single Sided
- D End Dual Sided

**Note:** Fill in model number blanks with one of the following options to determine glass height.

- 07 7.5"H glass
- 13 13"H glass
- 15 15"H glass

<p><b>How to specify —</b> Select the Model Number from above.</p>	<p><b>1st Option:</b> <b>FSC:</b> F FSC Wood X Non-FSC Wood</p>	<p><b>2nd Option:</b> <b>Laminate:</b> See page 150 for finishes.</p>	<p><b>3rd Option:</b> <b>Edge:</b> See page 150 for finishes.</p>	<p><b>4th Option:</b> <b>Grain:</b> VLG Horizontal grain or Solid only. VST Vertical Grain (available only for single panels 60"W or less.</p>	<p><b>5th Option:</b> <b>Glide:</b></p>
G   3   0         .	.	.	.	V       .	G

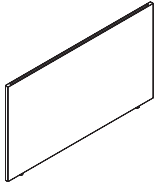
Example: G3033G.X.LT11.TI.VLG.G

# Gallery Panels

## 35"H Application for Use with Glass

For Gallery Panel Glass see page 174.  
 For Gallery Panel connectors see page 172-173.

GSA SIN 33721



Description	Model	Configuration	List Price			Accepts Glass Models
			L1	L2	L3	7½"H, 13"H, 15"H
<b>35"H Gallery Panels with Glass</b>						
33"W	G3533G	S	\$ 927	\$ 961	\$ 994	G4 □ □ 30GS
36"W	G3536G	S	\$ 970	\$ 1006	\$ 1041	G4 □ □ 33GS
39"W	G3539G	S	\$ 1023	\$ 1060	\$ 1097	G4 □ □ 36GS
42"W	G3542G	S	\$ 1058	\$ 1097	\$ 1135	G4 □ □ 39GS
45"W	G3545G	S	\$ 1110	\$ 1151	\$ 1191	G4 □ □ 42GS
48"W	G3548G	D, S	\$ 1146	\$ 1188	\$ 1229	G4 □ □ 45GS
51"W	G3551G	D, S	\$ 1178	\$ 1221	\$ 1264	G4 □ □ 48GS
54"W	G3554G	D, S	\$ 1217	\$ 1261	\$ 1305	G4 □ □ 51GS
57"W	G3557G	D, S	\$ 1249	\$ 1295	\$ 1340	G4 □ □ 54GS
60"W	G3560G	D, S	\$ 1293	\$ 1340	\$ 1387	G4 □ □ 57GS
63"W	G3563G	D, S	\$ 1316	\$ 1364	\$ 1412	G4 □ □ 60GS
66"W	G3566G	D, S	\$ 1348	\$ 1397	\$ 1446	G4 □ □ 63GS
69"W	G3569G	D, S	\$ 1398	\$ 1449	\$ 1499	G4 □ □ 66GS
72"W	G3572G	D, S	\$ 1449	\$ 1502	\$ 1554	G4 □ □ 69GS
75"W	G3575G	D, S	\$ 1546	\$ 1602	\$ 1658	G4 □ □ 72GS
78"W	G3578G	D, S	\$ 1615	\$ 1674	\$ 1732	G4 □ □ 75GS
81"W	G3581G	D, S	\$ 1729	\$ 1792	\$ 1854	G4 □ □ 78GS
84"W	G3584G	D, S	\$ 1873	\$ 1941	\$ 2009	G4 □ □ 81GS

**Note:** Configuration is not included in model number

- S End Single Sided
- D End Dual Sided

**Note:** Fill in model number blanks with one of the following options to determine glass height.

- 07 7.5"H glass
- 13 13"H glass
- 15 15"H glass

**How to specify —**  
 Select the Model Number from above.

**1st Option:**

- FSC:**  
 F FSC Wood  
 X Non-FSC Wood

**2nd Option:**

- Laminate:**  
 See page 150 for finishes.

**3rd Option:**

- Edge:**  
 See page 150 for finishes.

**4th Option:**

- Grain:**  
 VLG Horizontal grain or Solid only.  
 VST Vertical Grain (available only for single panels 60"W or less.

**5th Option:**

- Glide:**

G 3 5 | | | | | | | | | . | | .

| | | | | | .

| | | .

V | | | .

G |

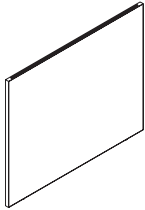
Example: G3533G.X.LT11.TI.VLG.G

# Gallery Panels

## 42"H Application for Use with Glass

For Gallery Panel Glass see page 174.  
For Gallery Panel connectors see page 172-173.

GSA SIN 33721



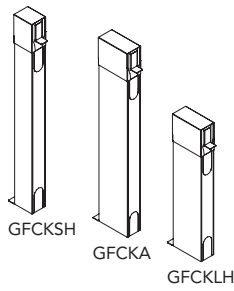
Description	Model	Configuration	List Price			Accepts Glass Models
			L1	L2	L3	7½"H
<b>42"H Gallery Panels with Glass</b>						
33"W	G4233G	S	\$ 1015	\$ 1051	\$ 1087	G40730GS
36"W	G4236G	S	\$ 1061	\$ 1099	\$ 1136	G40733GS
39"W	G4239G	S	\$ 1122	\$ 1162	\$ 1202	G40736GS
42"W	G4242G	S	\$ 1162	\$ 1203	\$ 1244	G40739GS
45"W	G4245G	S	\$ 1195	\$ 1237	\$ 1280	G40742GS
48"W	G4248G	D, S	\$ 1235	\$ 1279	\$ 1323	G40745GS
51"W	G4251G	D, S	\$ 1299	\$ 1345	\$ 1391	G40748GS
54"W	G4254G	D, S	\$ 1332	\$ 1379	\$ 1427	G40751GS
57"W	G4257G	D, S	\$ 1362	\$ 1410	\$ 1459	G40754GS
60"W	G4260G	D, S	\$ 1402	\$ 1452	\$ 1502	G40757GS
63"W	G4263G	D, S	\$ 1434	\$ 1485	\$ 1536	G40760GS
66"W	G4266G	D, S	\$ 1474	\$ 1526	\$ 1579	G40763GS
69"W	G4269G	D, S	\$ 1500	\$ 1553	\$ 1606	G40766GS
72"W	G4272G	D, S	\$ 1572	\$ 1628	\$ 1684	G40769GS
75"W	G4275G	D, S	\$ 1620	\$ 1678	\$ 1735	G40772GS
78"W	G4278G	D, S	\$ 1708	\$ 1769	\$ 1829	G40775GS
81"W	G4281G	D, S	\$ 1884	\$ 1951	\$ 2018	G40778GS
84"W	G4284G	D, S	\$ 2012	\$ 2083	\$ 2155	G40781GS

**Note:** Configuration is not included in model number

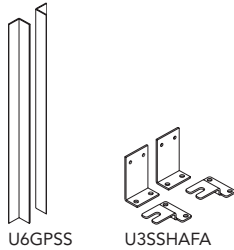
- S End Single Sided
- D End Dual Sided

<p><b>How to specify —</b> Select the Model Number from above.</p>	<p><b>1st Option:</b> <b>FSC:</b> F FSC Wood X Non-FSC Wood</p>	<p><b>2nd Option:</b> <b>Laminate:</b> See page 150 for finishes.</p>	<p><b>3rd Option:</b> <b>Edge:</b> See page 150 for finishes.</p>	<p><b>4th Option:</b> <b>Grain:</b> VLG Horizontal grain or Solid only. VST Vertical Grain (available only for single panels 60"W or less.</p>	<p><b>5th Option:</b> <b>Glide:</b></p>
G   4   2         .	.	.	.	V       .	G

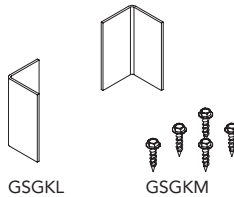
Example: G4233G.X.LT11.TI.VLG.G



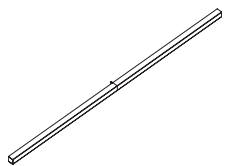
Description	Model	List Price		
		P1	P2	P3
<b>Further Benching Connector Kit</b>				
Further Tethered Standard Height Connector	GFCKSH	\$ 454	\$ 486	\$ 535
Further Adaptive and Freestanding Standard Height Connector	GFCKA	\$ 448	\$ 480	\$ 528
Further Low Height Connector (Freestanding)	GFCKLH	\$ 513	\$ 549	\$ 604



Description	Model	P1	P2	P3
For Adaptive Gallery Panel in Single Sided Applications	U6GPSS	\$ 139	\$ 150	\$ 164
For Single Sided applications without Gallery Panels	U3SSHAFA	\$ 65	\$ 71	\$ 77



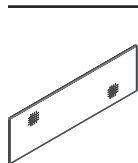
<b>Storage Mounting Brackets</b>				
Description	Model	P1	P2	P3
Gallery Laminate Storage Ganging Kit	GSGKL	\$ 70	N/A	N/A
Gallery Metal Storage Ganging Kit	GSGKM	\$ 16	N/A	N/A



<b>Gallery Panel Stiffener</b>				
Description	Model	P1	P2	P3
Stiffener for 75"W/78"W Panels	GSTFN7578	\$ 159	\$ 171	\$ 189
Stiffener for 81"W/84"W Panels	GSTFN8184	\$ 178	\$ 192	\$ 212

**Mural Connector Kits**

Gallery Panel End Connector	GSCKP	\$ 127	\$ 132	\$ 138
Gallery Panel Mid Connector Dual Sided	GCKPMD	\$ 149	\$ 155	\$ 162
Gallery Panel Mid Connector Single Sided	GCKPMS	\$ 177	\$ 185	\$ 192
Split Gallery Panel Hardware Kit Dowel	GSHW	\$ 159	N/A	N/A



Description	Model	List Price					
		Grade A	Grade B	Grade C	Grade D	Grade E	Grade F
<b>Tackable Accessory</b>							
11"H x 36"W	ZS42SF <span style="border: 1px solid black; padding: 0 2px;">S</span>	\$ 437	\$ 463	\$ 489	\$ 531	\$ 574	\$ 617
18½"H x 36"W	ZS50SF	\$ 519	\$ 559	\$ 598	\$ 664	\$ 730	\$ 796

S Shippable by small-package carrier.

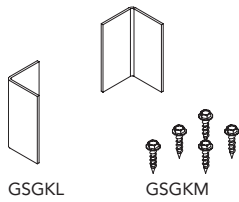
<p><b>How to specify —</b> Select the Model Number from above.</p>	<p><i>1st Option:</i> <b>Paint for Connector Kits and Brackets</b> (if available): <span style="border: 1px solid black; border-radius: 50%; padding: 2px;">P1</span> <span style="border: 1px solid black; border-radius: 50%; padding: 2px;">P2</span> <span style="border: 1px solid black; border-radius: 50%; padding: 2px;">P3</span> See page 150 for finishes.</p>	<p><i>1st Option:</i> <b>Fabric for Cantilevered Storage Accessory:</b> See page 10 for fabrics.</p>	<p><i>2nd Option:</i> <b>Trim Paint for Cantilevered Storage Accessory:</b> <span style="border: 1px solid black; border-radius: 50%; padding: 2px;">P1</span> <span style="border: 1px solid black; border-radius: 50%; padding: 2px;">P2</span> <span style="border: 1px solid black; border-radius: 50%; padding: 2px;">P3</span> See page 150 for finishes.</p>
<p>_____ .</p>	<p>_____</p>	<p>_____ .</p>	<p><b>P</b> _____</p>

Examples: GZCKP.P71 GCKPM.P71 GZ3CON30.P71 GSGKL GSGKM ZS50SF.EXG903.P27

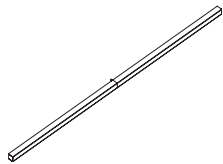
# Gallery Panel Connectors

Connector Kits

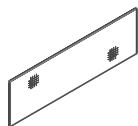
GSA SIN 33721



Description	Model	List Price		
		P1	P2	P3
<b>Storage Mounting Brackets</b>				
Gallery Laminate Storage Ganging Kit	GSGKL	\$ 70	N/A	N/A
Gallery Metal Storage Ganging Kit	GSGKM	\$ 16	N/A	N/A



<b>Gallery Panel Stiffener</b>				
Stiffener for 75"W/78"W Panels	GSTFN7578	\$ 159	\$ 171	\$ 189
Stiffener for 81"W/84"W Panels	GSTFN8184	\$ 178	\$ 192	\$ 212

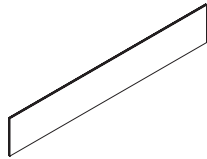


Description	Model	List Price					
		Grade A	Grade B	Grade C	Grade D	Grade E	Grade F
<b>Tackable Accessory</b>							
11"H x 36"W	ZS425F <span style="border: 1px solid black; padding: 0 2px;">S</span>	\$ 437	\$ 463	\$ 489	\$ 531	\$ 574	\$ 617
18½"H x 36"W	ZS50SF	\$ 519	\$ 559	\$ 598	\$ 664	\$ 730	\$ 796

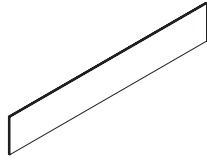
S Shippable by small-package carrier.

<p><b>How to specify —</b> Select the Model Number from above.</p>	<p><i>1st Option:</i> <b>Paint for Connector Kits and Brackets</b> (if available): <span style="border: 1px solid black; border-radius: 50%; padding: 2px;">P1</span> <span style="border: 1px solid black; border-radius: 50%; padding: 2px;">P2</span> <span style="border: 1px solid black; border-radius: 50%; padding: 2px;">P3</span> See page 150 for finishes.</p>	<p><i>1st Option:</i> <b>Fabric for Cantilevered Storage Accessory:</b> See page 10 for fabrics.</p>	<p><i>2nd Option:</i> <b>Trim Paint for Cantilevered Storage Accessory:</b> <span style="border: 1px solid black; border-radius: 50%; padding: 2px;">P1</span> <span style="border: 1px solid black; border-radius: 50%; padding: 2px;">P2</span> <span style="border: 1px solid black; border-radius: 50%; padding: 2px;">P3</span> See page 150 for finishes.</p>
<p>_____ .</p>	<p>_____</p>	<p>_____ .</p>	<p><b>P</b> _____</p>

Examples: GZCKP.P71 GCKPM.P71 GZ3CON30.P71 GSGKL GSGKM ZS50SF.EXG903.P27



Description	Model	List Price		
		Clear Glass	Frosted Glass	Smoked Glass
<b>7½"H Gallery Glass — Single Panel</b>				
15"W	G40715GS	\$ 177	\$ 195	\$ 201
18"W	G40718GS	\$ 182	\$ 201	\$ 207
21"W	G40721GS	\$ 186	\$ 205	\$ 212
24"W	G40724GS	\$ 189	\$ 209	\$ 215
27"W	G40727GS	\$ 205	\$ 226	\$ 233
30"W	G40730GS	\$ 220	\$ 243	\$ 250
33"W	G40733GS	\$ 241	\$ 266	\$ 274
36"W	G40736GS	\$ 272	\$ 300	\$ 309
39"W	G40739GS	\$ 294	\$ 324	\$ 335
42"W	G40742GS	\$ 330	\$ 364	\$ 375
45"W	G40745GS	\$ 358	\$ 395	\$ 407
48"W	G40748GS	\$ 390	\$ 430	\$ 443
51"W	G40751GS	\$ 399	\$ 440	\$ 454
54"W	G40754GS	\$ 431	\$ 475	\$ 490
57"W	G40757GS	\$ 477	\$ 526	\$ 542
60"W	G40760GS	\$ 560	\$ 617	\$ 637
63"W	G40763GS	\$ 650	\$ 717	\$ 739
66"W	G40766GS	\$ 703	\$ 775	\$ 799
69"W	G40769GS	\$ 770	\$ 849	\$ 875
72"W	G40772GS	\$ 824	\$ 909	\$ 937
75"W	G40775GS	\$ 880	\$ 970	\$ 1001
78"W	G40778GS	\$ 970	\$ 1069	\$ 1103
81"W	G40781GS	\$ 1019	\$ 1124	\$ 1158



<b>7½"H Gallery Glass — Split Panels (order quantity must be in multiples of 2)</b>				
39"W	G40739GS	\$ 294	\$ 324	\$ 335
42"W	G40742GS	\$ 330	\$ 364	\$ 375
45"W	G40745GS	\$ 358	\$ 395	\$ 407
48"W	G40748GS	\$ 390	\$ 430	\$ 443
51"W	G40751GS	\$ 399	\$ 440	\$ 454
54"W	G40754GS	\$ 431	\$ 475	\$ 490
57"W	G40757GS	\$ 477	\$ 526	\$ 542
60"W	G40760GS	\$ 560	\$ 617	\$ 637
63"W	G40763GS	\$ 650	\$ 717	\$ 739
66"W	G40766GS	\$ 703	\$ 775	\$ 799
69"W	G40769GS	\$ 770	\$ 849	\$ 875

**How to specify —**  
Select the Model Number from above.

*1st Option:*

**Glass:**

**LC** Clear Glass

**LF** Frosted Glass

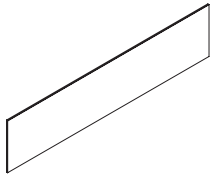
**GSM1** Smoked Glass (Available for order September 2019)

G 4 0 7 | | | | | .

| | | | | .

Examples: G40715GS.LC G40739GS.GSM1





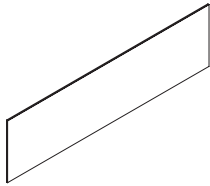
Description	Model	List Price		
		Clear Glass	Frosted Glass	Smoked Glass
<b>13"H Gallery Glass — Single Panel</b>				
24"W	G41324GS	\$ 461	\$ 511	\$ 527
27"W	G41327GS	\$ 502	\$ 556	\$ 574
30"W	G41330GS	\$ 539	\$ 597	\$ 616
33"W	G41333GS	\$ 568	\$ 629	\$ 650
36"W	G41336GS	\$ 601	\$ 666	\$ 687
39"W	G41339GS	\$ 649	\$ 719	\$ 742
42"W	G41342GS	\$ 670	\$ 742	\$ 766
45"W	G41345GS	\$ 684	\$ 758	\$ 782
48"W	G41348GS	\$ 707	\$ 783	\$ 808
51"W	G41351GS	\$ 719	\$ 796	\$ 822
54"W	G41354GS	\$ 769	\$ 852	\$ 879
57"W	G41357GS	\$ 788	\$ 873	\$ 901
60"W	G41360GS	\$ 810	\$ 897	\$ 926
63"W	G41363GS	\$ 867	\$ 960	\$ 991
66"W	G41366GS	\$ 941	\$ 1042	\$ 1076
69"W	G41369GS	\$ 995	\$ 1102	\$ 1138
72"W	G41372GS	\$ 1067	\$ 1182	\$ 1220
75"W	G41375GS	\$ 1146	\$ 1269	\$ 1310
78"W	G41378GS	\$ 1219	\$ 1350	\$ 1394
81"W	G41381GS	\$ 1287	\$ 1425	\$ 1471

**13"H Gallery Glass — Split Panels** *(order quantity must be in multiples of 2)*

39" W	G41339GS	\$ 649	\$ 719	\$ 742
42" W	G41342GS	\$ 670	\$ 742	\$ 766
45" W	G41345GS	\$ 684	\$ 758	\$ 782
48" W	G41348GS	\$ 707	\$ 783	\$ 808
51" W	G41351GS	\$ 719	\$ 796	\$ 822
54" W	G41354GS	\$ 769	\$ 852	\$ 879
57" W	G41357GS	\$ 788	\$ 873	\$ 901
60" W	G41360GS	\$ 810	\$ 897	\$ 926
63" W	G41363GS	\$ 867	\$ 960	\$ 991
66" W	G41366GS	\$ 941	\$ 1042	\$ 1076
69" W	G41369GS	\$ 995	\$ 1102	\$ 1138

<p><b>How to specify —</b> Select the Model Number from above.</p>	<p><b>1st Option:</b> <b>Glass:</b> LC Clear Glass LF Frosted Glass GSM1 Smoked Glass</p>
<p>G 4   1   3           .</p>	<p>          .</p>

Examples: G41324GS.LC G41339GS.GSM1



Description	Model	List Price		
		Clear Glass	Frosted Glass	Smoked Glass
<b>15"H Gallery Glass — Single Panel</b>				
15" W	G41515GS	\$ 481	\$ 533	\$ 550
18" W	G41518GS	\$ 502	\$ 556	\$ 574
21" W	G41521GS	\$ 526	\$ 583	\$ 601
24" W	G41524GS	\$ 553	\$ 612	\$ 632
27" W	G41527GS	\$ 570	\$ 631	\$ 652
30" W	G41530GS	\$ 594	\$ 658	\$ 679
33" W	G41533GS	\$ 622	\$ 689	\$ 711
36" W	G41536GS	\$ 679	\$ 752	\$ 776
39" W	G41539GS	\$ 710	\$ 786	\$ 812
42" W	G41542GS	\$ 728	\$ 806	\$ 832
45" W	G41545GS	\$ 741	\$ 821	\$ 847
48" W	G41548GS	\$ 759	\$ 841	\$ 868
51" W	G41551GS	\$ 775	\$ 858	\$ 886
54" W	G41554GS	\$ 825	\$ 914	\$ 943
57" W	G41557GS	\$ 835	\$ 925	\$ 955
60" W	G41560GS	\$ 843	\$ 934	\$ 964
63" W	G41563GS	\$ 894	\$ 990	\$ 1022
66" W	G41566GS	\$ 969	\$ 1073	\$ 1108
69" W	G41569GS	\$ 1019	\$ 1129	\$ 1165
72" W	G41572GS	\$ 1089	\$ 1206	\$ 1245
75" W	G41575GS	\$ 1176	\$ 1302	\$ 1345
78" W	G41578GS	\$ 1239	\$ 1372	\$ 1416
81" W	G41581GS	\$ 1313	\$ 1454	\$ 1501

**15"H Gallery Glass — Split Panels** (order quantity must be in multiples of 2)

39" W	G41539GS	\$ 710	\$ 786	\$ 812
42" W	G41542GS	\$ 728	\$ 806	\$ 832
45" W	G41545GS	\$ 741	\$ 821	\$ 847
48" W	G41548GS	\$ 759	\$ 841	\$ 868
51" W	G41551GS	\$ 775	\$ 858	\$ 886
54" W	G41554GS	\$ 825	\$ 914	\$ 943
57" W	G41557GS	\$ 835	\$ 925	\$ 955
60" W	G41560GS	\$ 843	\$ 934	\$ 964
63" W	G41563GS	\$ 894	\$ 990	\$ 1022
66" W	G41566GS	\$ 969	\$ 1073	\$ 1108
69" W	G41569GS	\$ 1019	\$ 1129	\$ 1165

**How to specify —**  
Select the Model Number from above.

*1st Option:*

**Glass:**

- LC Clear Glass
- LF Frosted Glass
- GSM1 Smoked Glass

G 4 1 5 | | | | | .

| | | | | .

Examples: G41515GS.LC G41539GS.GSM1

Finishes ..... 178  
Digital Lock Specifications..... 179  
Pedestal Functionality with Work Tools ..... 180  
Digital Locking Guide..... 181  
Freestanding and Mobile Pedestals ..... 182-185  
Pedestal Functionality with Work Tools ..... 186-187  
Undermount, L-Cube, and Work Tools ..... 188  
Undercabinet Pedestals..... 189  
Caddy..... 190  
Digital Lock Keys and Accessories ..... 191

## PAINTED METAL FINISHES

### GRADE P1

Black .....	P71
Brownstone .....	P7D
Bungalow .....	P7C
Cinder .....	P7Q
Designer White .....	PJW
Flint .....	P02
Fossil .....	P28
Loft .....	P7B
Muslin .....	P4J
Parchment .....	P93
Pebble .....	P8R
Pewter .....	P8D
Salt .....	P8C
Titanium .....	P8T

### GRADE P2

Champagne Metallic .....	PR5
Gunmetal Metallic .....	PR3
Silver** .....	PR6
Solar Black .....	P8X

\*\*PR6 no upcharge on Involve; available as a Grade P2 color on stanchions. PR6 & P8X are not available on Concensys, Essentials bookcase, and vertical files.

### GRADE P3

Amethyst*** .....	P091
Atom .....	P8S
Blossom*** .....	P8K
Bullseye .....	PJF
Cabernet*** .....	P7T
Cobalt Mica*** .....	P090
Conifer*** .....	P8H
Ember .....	P8P
Ion .....	P8N
Iris .....	P8J
Krypton .....	P8F
Ochre*** .....	P093
Regatta .....	P8M
Sienna*** .....	P092
Succulent*** .....	P8A

*Metallic paints, due to varying reflectance, may appear to have less visual color consistency than other paint finishes, even when L/A/B values are exactly the same. (L/A/B — measurable aspects of color — values are maintained within a specified range, to ensure consistent appearance of paint colors.)*

*\*\*\*These colors are intended to be an inspirational option for the trending market. Product application is limited and color availability is approximately two years to coincide with evolving workplace trends.*

## METAL STORAGE PULLS

### BEAM

Designer White .....	PJW
Silver .....	PR6
Pyrite .....	PJE
Solar Black .....	P8X

### HALO

Designer White .....	PJW
Silver .....	PR6
Pyrite .....	PJE
Solar Black .....	P8X

### BAR

Designer White .....	PJW
Black .....	P27
Silver .....	PR6

### SQUARE

Designer White .....	PJW
Flint .....	P02
Loft .....	P7B
Matte Silver .....	EL
Pyrite .....	PJE
Solar Black .....	P8X

## RADII CONSOLE—POLY LINER

Cool Grey .....	CGR
-----------------	-----

## RADII USB

Designer White .....	DW
Flint .....	E9
Storm .....	STRM

## LOCKS

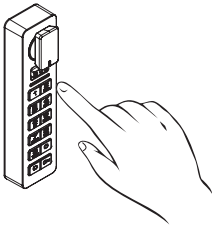
Black .....	E4
Chrome .....	ordered by base model
Matte Silver .....	EL

**NOTE:** Refer to individual product pages for upcharges.

## RADII WORKTOOLS COLOR OPTIONS

DW- Designer White
E9- Flint

Digital Keypad Lock Specification Information (page 191)



The digital keypad lock options support applications where workstations or storage banks are shared by multiple users. This is an alternative to a standard key lock. This feature facilitates the use of storage by multiple users through eliminating the need to keep and hand-off physical keys. These locks ship in “shared mode” by default; shared mode indicates that the lock will “forget” the paired 4-digit code, allowing the unit to be used by multiple users.

**Digital keypad locks:**

- Ship factory installed
- Offered in a polished silver finish
- Digital keypad lock requires input of a user-selected 4-digit code
- Digital keypad powered using 2 premium lithium CR2450 batteries
- Battery life is dependent on the frequency of operation but can last up to 5-7 years

**Programming Key**

- A Programming Key is a device used to initialize locks out of factory default mode and register Manager Keys to the locks.
- Only one Programming Key should be specified per installation site because multiple Programming Keys are not compatible with each other.
- Once a programming key is used with a unit, it is tied to that lock. Another programming key can not be used.
- Add-on digital lock orders should be programmed with the original programming key.

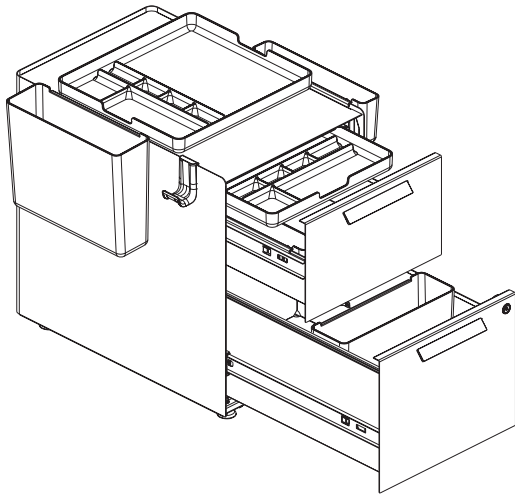
**Manager Key**

- A Manager Key is used to bypass a locked unit; this operates as the “master” key and it is recommended that building facilitators have at least one Manager Key.
- Up to 6 Manager Keys may be registered to each lock.
- Manager Keys provide external power to locks in case of battery failure.

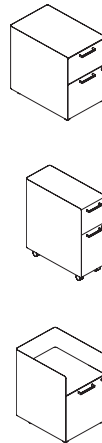
Description	Model	List Price
<b>Digital Lock Keys and Accessories</b>		
Programming Key	YPLDIGPRG	\$ 314
Manager Key	YPLDIGMGR	\$ 242

Radii is a new generation of metal storage pedestals, undermounts, and Work Tools designed to accommodate more personal items and less paper. In the evolving digital age, the need to store paper files dwindles, people archive fewer documents, while the need to stow personal belongings grows. Conventional storage options that were designed for lateral paper filing don't adequately accommodate items employees stow, such as a backpack, purse, gym shoes, office supplies, or other everyday essentials workers want to keep within reach.

The desire for products to do more with less is quickly becoming a necessity. Radii delivers efficiency that is obvious in a solution that succinctly stows today's objects in a user-customizable way.



### Pedestals



- Available with casters or glides
- Casters allow clearance for pedestal to straddle Altitude foot.
- Rear casters swivel, front casters are fixed, casters do not lock.
- Freestanding pedestals are not meant to support worksurfaces.
- Drawer slides are not full extension.
- Counterweight installed when required. No additional counterweight is required.
- Case wrapper creates a utility lip at top of case from which Work Tools can hang.
- 15"W pedestals can fit a Hot File Bin sideways in drawer to serve as a space divider.
- Hot File and Side Saddle can hang on inside file drawer lip.
- Alcove unit has a single drawer with open enclosure at top to stow backpack or other personal items.
- Drawers are labeled as "Box"/"Box +" and "File"/"File +"; see dimension table below.
- Drawers labeled as "+" have a taller drawer front and added space above the drawer body that can either accept the hidden Radii accessory tray or allow for the drawer to stow larger items, such as a backpack.
- All pedestals with a drawer marked "+" ship with one accessory tray, additional trays may be purchased separately (20<sup>3</sup>/<sub>8</sub>" H unit does not ship with or accept hidden tray).
- Radii pedestals offered with an electronic locking option
- Slim peds (10"W) with electronic locking only accept Square Pull.
- Manager and programming key purchased separately, see page 22 of Casegoods and Storage pricebook.

Pedestal Functionality Represented by  
 Freestanding Pedestal 21½"H  
 15"W x 23"D Box with Tray/File.  
 Additional Work Tools ordered separately.

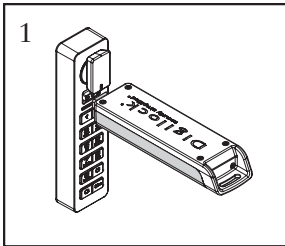
Drawer Type	Exterior Drawer Height	Accepts Tray	Filing	
			15"W Pedestal	10"W Pedestal
Box	6"	No	No	No
Box +	9"	Yes	No	No
File	12"	No	Front-to-Back Only, Letter Only	Side-to-Side Only, Letter or Legal
File +	15"	Yes	Front-to-Back Only, Letter Only	Side-to-Side Only, Letter or Legal

Drawer Type	Drawer Capacity*	
	15"W Pedestal	10"W Pedestal
Box	4¼"H x 12½"W x 17¾"D (19"D Pedestals) or 21¾"D (23"D Pedestals)	4¼"H x 7½"W x 21¾"D
Box +	7¼"H x 12½"W x 17¾"D (19"D Pedestals) or 21¾"D (23"D Pedestals)	7¼"H x 7½"W x 21¾"D
File	10¾"H x 12½"W x 17¾"D (19"D Pedestals) or 21¾"D (23"D Pedestals)	10¾"H x 7½"W x 21¾"D
File +	13⅝"H x 12½"W x 17¾"D (19"D Pedestals) or 21¾"D (23"D Pedestals)	13⅝"H x 7½"W x 21¾"D

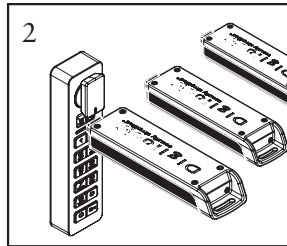
\*If using hidden tray in + drawer, subtract approximately 3" from usable height

Digital Lock Programming

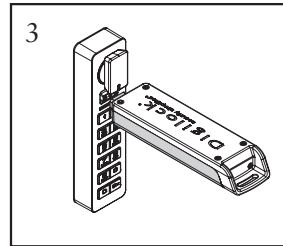
Locks are shipped with factory default settings (only operates by pressing **C** **0π**). Each lock must be set up to operate with a Programming Key and Manager Keys.



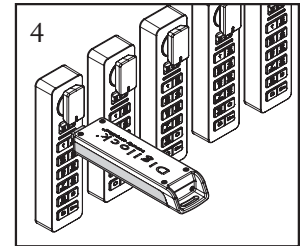
1  
Insert the Programming Key.  
A two-tone beep will be heard and the LED will flash.



2  
While the LED is flashing, insert one Manager Key at a time.  
A beep will be heard for each Manager Key programmed.



3  
Insert the Programming Key.  
A two-tone beep will be heard and the LED will turn off.

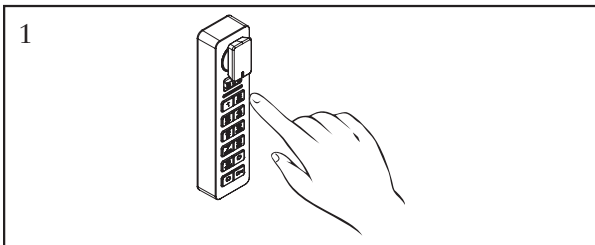


4  
Repeat above steps for each lock or follow instructions to Express Register Manager Keys to setup all locks.

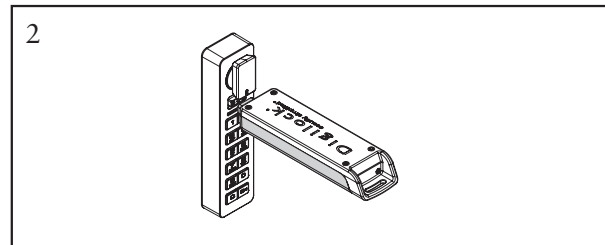
Programming Instructions

Express Register Manager Credentials

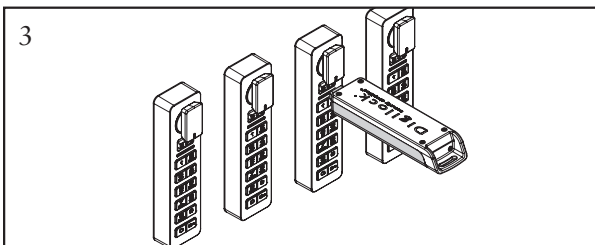
Express Register Manager Keys The Programming Key can quickly program multiple locks to operate with the same Manager Keys.



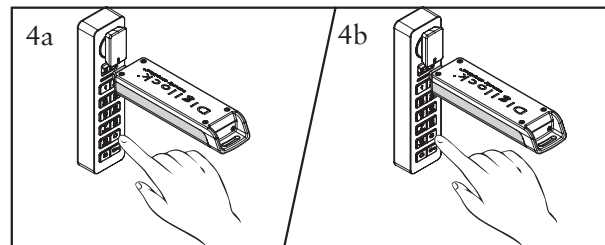
1  
Go to a lock already programmed to operate with the Manager Keys. Press: **C** **0π** **6** **1** **0π**. The LED will flash.



2  
While the LED is flashing, insert the Programming Key.  
A two-tone beep will be heard and the LED will turn off.



3  
Insert the Programming Key to program each lock to operate with the same Manager Keys.  
Two sets of two-tone beeps will be heard and the LED will flash twice to indicate successful programming.



4a  
End Express Registration mode.\*  
Go to any programmed lock.  
Press: **C** **0π** then insert the Programming Key.

\*The Programming Key will continue to function in Express Registration mode until it is used to operate a lock.

NOTE: For more information on digital lock use, please reference digital lock user guide(s) available on [hniproductinstall.com](http://hniproductinstall.com).

See page 191 for manager key and programming key.

For specification information see page 180.

GSA SIN 33721

		Description	Model	P1 List Price
		<b>Freestanding Alcove and File + Pedestal 21½"H</b>		
		10"W x 23"D with Tray	APGBS24SNPT	\$ 879
		<b>Freestanding Box + and File Pedestal 21½"H</b>		
		15"W x 19"D with Tray	APGBP18SNPT	\$ 909
		<b>Freestanding Box + and File Pedestal 21½"H</b>		
		10"W x 23"D with Tray	APGBS249TFN	\$ 938
		15"W x 19"D with Tray	APGBP189TFN	\$ 964
		15"W x 23"D with Tray	APGBP249TFN	\$ 1026
		<b>Freestanding Box and File + Pedestal 21½"H</b>		
		15"W x 19"D with Tray	APGBP186NPT	\$ 964
		<b>Freestanding Box + and File + Pedestal 24½"H</b>		
		15"W x 23"D with Tray	APGBP246NPT	\$ 1026
		<b>Freestanding Box + and File + Pedestal 24½"H</b>		
		10"W x 23"D with Tray	APGCS249TPN	\$ 1028
		15"W x 19"D with Tray	APGCP189TPN	\$ 1002
		15"W x 23"D with Tray	APGCP249TPN	\$ 1044
		<b>Mobile Box and File Pedestal 20"H</b>		
		15"W x 19"D Does not accommodate Work Tool Tray	APMAP186NFN	\$ 899
		15"W x 23"D Does not accommodate Work Tool Tray	APMAP246NFN	\$ 943
		<b>Mobile Alcove/File + Pedestal 23 H</b>		
		10"W x 23"D Alcove/File with Tray	APMBS24SNPT	\$ 879
		15"W x 19"D Alcove/Tray-File	APMBP18SNPT	\$ 909
		<b>Mobile Box + and File Pedestal 23"H</b>		
		10"W x 23"D with Tray	APMBS249TFN	\$ 938
		15"W x 19"D with Tray	APMBP189TFN	\$ 964
		15"W x 23"D with Tray	APMBP249TFN	\$ 1026

<p><b>How to specify —</b> Select the Model Number from above.</p> <p><b>A</b>   <b>P</b>   _____ .</p>	<p><b>1st Option:</b> <b>Pull Type</b> (if applicable):</p> <p><b>M</b> Beam <b>O</b> Halo <b>B</b> Bar <b>S</b> Square</p> <p>See matrix on page 15.</p>	<p><b>2nd Option:</b> <b>Pull Color</b> (if applicable):</p> <p><b>M</b> Beam / <b>O</b> Halo <b>PJW</b> Designer White <b>PR6</b> Silver <b>PJE</b> Pyrite <b>P8X</b> Solar Black P2 upcharge +\$15/pull</p>	<p><b>3rd Option:</b> <b>Paint:</b></p> <p><b>P1</b> <b>P2</b> <b>P3</b></p> <p>See page 178 for finishes.</p> <p><b>P2</b> add \$40 <b>P3</b> add \$80</p> <p><b>P</b>   _____ .</p>
---	---	---	---

Continued below ▼

<p><b>4th Option:</b> <b>Front Paint:</b></p> <p><b>P1</b> <b>P2</b> <b>P3</b></p> <p>See page 178 for finishes.</p> <p><b>NA</b> Match Case <b>P1</b> add \$10 <b>P2</b> add \$30 <b>P3</b> add \$50</p> <p><b>P</b>   _____ .</p>	<p><b>5th Option:</b> <b>Tray Color:</b></p> <p><b>DW</b> Designer White <b>E9</b> Flint</p> <p><b>DW</b>   _____ .</p>	<p><b>6th Option:</b> <b>Lock Option:</b></p> <p><b>STD</b> Standard <b>OMT</b> Omit Lock Core (deduct \$18 per lock)</p> <p>  _____ .</p>
---	---	--

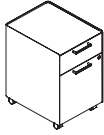
Examples: APGBS24SNPT.OPR6.PR3.PR3.DW.STD      APMBP249TFN.BP27.P7B.P7B.DW.OMT



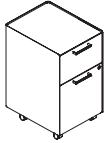
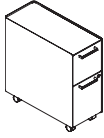
For specification information see page 180.

GSA SIN 33721

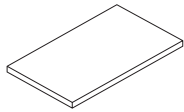
Description	Model	P1 List Price
<b>Mobile Box and File + Pedestal 23½"H</b>		
15"W x 19"D with Tray	APMBP186NPT	\$ 964
15"W x 23"D with Tray	APMBP246NPT	\$ 1026



<b>Mobile Box + and File + Pedestal 26½"H</b>		
10"W x 23"D with Tray	APMCS249TPN	\$ 1028
15"W x 19"D with Tray	APMCP189TPN	\$ 1002
15"W x 23"D with Tray	APMCP249TPN	\$ 1044



Description	Model	Base							
		List Price	2	3	4	5	6	7	8
<b>Seat Cushion</b>									
15"W x 19"D	AESC18	\$ 235	\$ 248	\$ 261	\$ 274	\$ 292	\$ 309	\$ 326	\$ 344
15"W x 23"D	AESC24	\$ 277	\$ 290	\$ 303	\$ 316	\$ 334	\$ 351	\$ 368	\$ 386



<p><b>How to specify —</b> Select the Model Number from above.</p> <p><b>A</b>                                   .</p>	<p><i>1st Option:</i> <b>Pull Type</b> (if applicable):</p> <p>M Beam O Halo B Bar S Square</p> <p>See matrix on page 15.</p> <p><b>M</b>                                   .</p>	<p><i>2nd Option:</i> <b>Pull Color</b> (if applicable):</p> <p>M Beam / O Halo P2 upcharge +\$15/pull</p> <p>PJW Designer White PR6 Silver PJE Pyrite P8X Solar Black</p> <p>B Bar P27 Black PJW Designer White PR6 Silver</p> <p>S Square PJW Designer White EL Matte Silver P02 Flint P7B Loft PJE Pyrite P8X Solar Black P2 upcharge +\$15/pull</p> <p><b>P</b>                                   .</p>	<p><i>3rd Option:</i> <b>Paint:</b> P1 P2 P3</p> <p>See page 178 for finishes.</p> <p>P2 add \$40 P3 add \$80</p>
--	---	---	---

Continued below ▼

<p><i>4th Option:</i> <b>Front Paint:</b> P1 P2 P3</p> <p>See page 178 for finishes.</p> <p>NA Match Case P1 add \$10 P2 add \$30 P3 add \$50</p> <p><b>P</b>                                   .</p>	<p><i>5th Option:</i> <b>Tray Color:</b> DW Designer White E9 Flint</p> <p><b>DW</b>                                   .</p>	<p><i>6th Option:</i> <b>Lock Option:</b> STD Standard OMT Omit Lock Core (deduct \$18 per lock)</p> <p>                                  .</p>
---	--	---

*Examples:* APGCS249TPN.BP27.PR6.PR6.DW.STD APMCP189TPN.BP27.PJW.PJW.DW.OMT

<p><b>How to specify —</b> Select the Seat Cushion Model Number from above.</p> <p><b>AESC</b>                                   .</p>	<p><i>1st Option:</i> <b>Upholstery:</b> See page 9 for fabrics.</p> <p>                                  .</p>
--	---

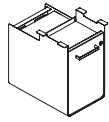
*Example:* AESC18.CU10



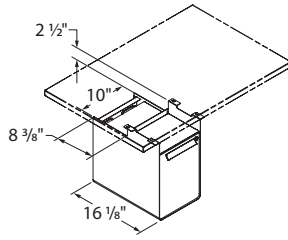


Representative Image

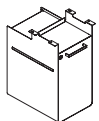
Space Claim



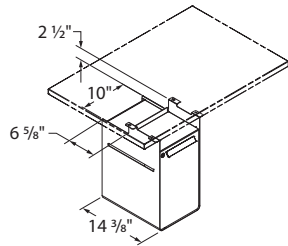
AUFD



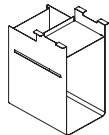
Flush Undermount  
Pull-Out Drawer



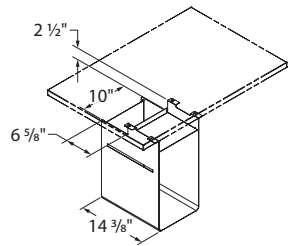
AUFH  
FH HD-Flush



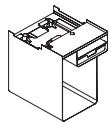
Flush Undermount  
RH Hinged Door



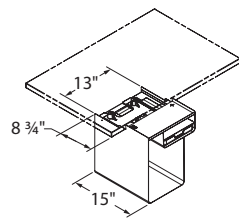
AUFO  
Open-Flush



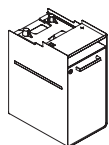
Flush Undermount  
Open Bin



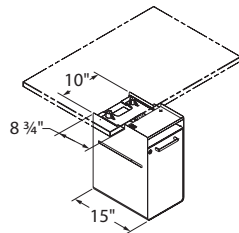
AUCL  
L Shelf-Console



Console Undermount  
Open L-Cube



AUCH  
RH HD-Console



Console Undermount  
RH Hinged Door Bin

**Undermounts**

- Undermount units are mounted inset from the left or right edge of the worksurface dependent on table supports.
- Compatible with all Allsteel benching and desking applications, except where noted.
- Can accommodate 2 Hot File units within interior sitting side-by-side.
- Slim tray fits in the Drawer and Open L units only.
- Ensure weight limit of height adjustable table system is considered before adding undermount storage (see table for unit weight and storage capacity).
- Standard BIFMA loading standards based on open volume of storage area.
- For undermount applications with Altitude tables, see the matrix on page 187.
- Manager and programming key purchased separately, see page 22 of Casegoods and Storage price book.
- Radii pedestals offered with an electronic locking option.
- Slim peds (10" W) with electronic locking only accept Square Pull.

**Flush Undermounts**

- Unit to be mounted under worksurface using hardware supplied with unit.
- Unit mounts flush to front edge of worksurface.
- Open and hinged door units contain side slot which can be used to hang Work Tools.
- Open and hinged door units do not fit Work Tool Trays.
- Drawer unit ships with hangrail to accommodate side-to-side filing.

**Console Undermounts**

- Open L unit comes with Work Tool Tray, console soft touch pad, and bottom soft touch liner.
- Hinged Door Console Unit comes with console soft touch pad ONLY.
- Unit available with or without USB. Either version ships with soft touch pad for console and contains a perforation for easy cord routing.
- Slots built into upper portion of case for Work Tools Hook to hang from.
- Unit mounts under worksurface with easy locating interface bracket. Bracket screws to worksurface, unit snaps onto bracket.
- Unit protrudes 6" from front of worksurface.

**Work Tools**

- Side Saddle and Hot File work on Terrace Tool Tiles and Tool Rails.
- Bag Hook weight limit 20 lbs.

Model Number	Unit Weight		Storage Capacity (lb.)	Internal		
				Weight + Capacity (Added weight to table)	Height	Width
AUFD15N	25	29	54	10"	7 <sup>1</sup> / <sub>8</sub> "	14 <sup>7</sup> / <sub>8</sub> "
AUFH15N	22	42	64	16 <sup>3</sup> / <sub>4</sub> "	9 <sup>7</sup> / <sub>8</sub> "	13 <sup>3</sup> / <sub>8</sub> "
AUFHL15H	22	42	64	16 <sup>3</sup> / <sub>4</sub> "	9 <sup>7</sup> / <sub>8</sub> "	13 <sup>3</sup> / <sub>8</sub> "
AUFO15N	17	42	59	16 <sup>3</sup> / <sub>4</sub> "	9 <sup>7</sup> / <sub>8</sub> "	13 <sup>3</sup> / <sub>8</sub> "
AUCL15N	22	43	65	11 <sup>1</sup> / <sub>8</sub> "	9 <sup>7</sup> / <sub>8</sub> "	14 <sup>1</sup> / <sub>4</sub> "
AUCL15U	22	43	65	11 <sup>1</sup> / <sub>8</sub> "	9 <sup>7</sup> / <sub>8</sub> "	14 <sup>1</sup> / <sub>4</sub> "
AUCH15U	25	48	73	17"	9 <sup>7</sup> / <sub>8</sub> "	14"
AUCH15N	25	48	73	17"	9 <sup>7</sup> / <sub>8</sub> "	14"
AUCL15U	25	48	73	17"	9 <sup>7</sup> / <sub>8</sub> "	14"
AUCL15N	25	48	73	17"	9 <sup>7</sup> / <sub>8</sub> "	14"

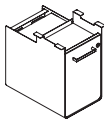
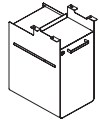
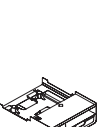
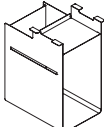
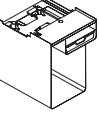
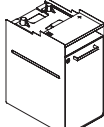
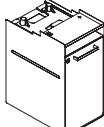
		A6 (T-Leg)		A6 (C-Leg)	
		24"D	30"D	24"D	30"D
AUFD15N	Flush Undermount Pull-Out Drawer	○	○	○	●
AUFH15N/AUFHL15N	Flush Undermount RH/LH Hinge Door	○	○	○	●
AUFO15N	Flush Undermount Open Bin	○	○	○	●
AUCL15N/AUCL15U	Console Undermount L-Cube	○	○	○	○
AUCH15N/AUCH15U	Console Undermount RH Hinge Door	○	○	○	○
AUCL15N/AUCL15U	Console Undermount LH Hinge Door	○	○	○	○

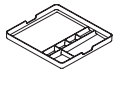
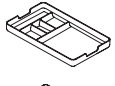
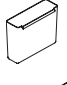
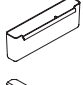

Legend

●	Works, unit may sit flush to LH or RH edge of work surface
○	Works, unit must sit inset of height-adjustable leg
X	Does not work

For specification information see page 180.

GSA SIN 33721

	Description	Model	P1 List Price
	<b>Flush Undermount Pull-Out Drawer 18"H</b> (Ships with Work Tool Tray)		
	10"W x 16½"D	AUFD15N	\$ 684
	<b>Flush Undermount Right-Hinged Door 20"H</b>		
	10"W x 14½"D	AUFH15N	\$ 653
	<b>Flush Undermount Left-Hinged Door 20"H</b>		
	10"W x 14½"D	AUFHL15N	\$ 643
	<b>Flush Undermount Open Bin 20"H</b>		
	10"W x 14½"D	AUFO15N	\$ 543
	<b>Console Undermount Open L-Cube 16"H</b> (Ships with Work Tool Tray)		
	13"W x 15"D with Non-USB Console	AUCL15N	\$ 732
	13"W x 15"D with USB Console	AUCL15U	\$ 874
	<b>Console Undermount Right Hinged Door Bin 20"H</b>		
	10"W x 15"D with Non-USB Console	AUCH15N	\$ 749
	10"W x 15"D with USB Console	AUCH15U	\$ 891
	<b>Console Undermount Left Hinged Door Bin 20"H</b>		
	10"W x 15"D with Non-USB Console	AUCHL15N	\$ 749
	10"W x 15"D with USB Console	AUCHL15U	\$ 891

Work Tools	Description	Model	List Price
	<b>Large Tray</b> for 15"W models		
	1½"H x 13½"W x 14½"D	AELT	\$ 77
	<b>Small Tray</b> for 10"W models		
	1½"H x 8½"W x 14½"D	AEST	\$ 59
	<b>Hot File</b>		
	9½"H x 12¼"W x 3½"D	AEHF	\$ 59
	<b>Side Saddle</b>		
	4"H x 12¼"W x 2½"D	AESS	\$ 48
	<b>Bag or Coat Hook</b>		
	3¼"H x 1½"W x 2¼"D	AECH	\$ 37

<p><b>How to specify —</b> Select the Model Number from above.</p> <p><b>A</b>               .</p>	<p><b>1st Option:</b> <b>Pull Type</b> (if applicable):</p> <p><b>M</b> Beam <b>O</b> Halo <b>B</b> Bar <b>S</b> Square See matrix on page 15.</p> <p><b>P</b>       .</p>	<p><b>2nd Option:</b> <b>Pull Color</b> (if applicable):</p> <p><b>M</b> Beam / O Halo <b>PJW</b> Designer White <b>PR6</b> Silver <b>PJE</b> Pyrite <b>P8X</b> Solar Black P2 upcharge +\$15/pull</p> <p><b>B</b> Bar <b>P27</b> Black <b>PJW</b> Designer White <b>PR6</b> Silver <b>S</b> Square <b>PJW</b> Designer White <b>EL</b> Matte Silver <b>P02</b> Flint <b>P7B</b> Loft <b>PJE</b> Pyrite <b>P8X</b> Solar Black P2 upcharge +\$15/pull</p> <p>        .</p>	<p><b>3rd Option:</b> <b>Paint:</b> <b>P1 P2 P3</b> See page 178 for finishes. <b>P2</b> add \$30 <b>P3</b> add \$60</p> <p><b>P</b>       .</p>	<p><b>4th Option:</b> <b>Front Paint:</b> <b>P1 P2 P3</b> See page 178 for finishes. <b>NA</b> Match Case <b>P1</b> add \$10 <b>P2</b> add \$25 <b>P3</b> add \$40</p> <p><b>P</b>       .</p>
--	--	--	--	--

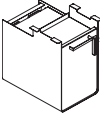
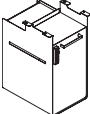
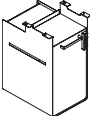
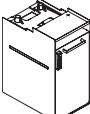
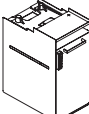
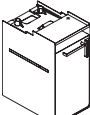
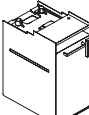
Continued below ▼

<p><b>5th Option:</b> <b>Tray and Accessories Color</b> (if applicable): <b>DW</b> Designer White <b>E9</b> Flint</p> <p>    .</p>	<p><b>6th Option:</b> <b>Console Poly Liner:</b> <b>PL</b> (if applicable)</p> <p><b>P</b>   <b>L</b>  </p>	<p><b>7th Option:</b> <b>Console Color</b> (if applicable): <b>CGR</b> Cool Grey</p> <p><b>C</b>   <b>G</b>   <b>R</b>   .</p>	<p><b>8th Option:</b> <b>Lock Option:</b> <b>STD</b> Standard <b>OMT</b> Omit Lock Core (deduct \$18)</p> <p>       </p>	<p><b>9th Option:</b> <b>USB Color</b> (if applicable): <b>STRM</b> Storm</p> <p><b>S</b>   <b>T</b>   <b>R</b>   <b>M</b>  </p>
--	---	--	--	--

Examples: AUFH15N.OPR6.PJW.STD AUCL15U.PR6.DW.PLCGR.STRM AELT.DW

For specification information see page 180.

GSA SIN 33721

Description		Model	P1 List Price
	<b>Flush Undermount Pull-Out Drawer 18"H (Ships with Work Tool Tray) with Electronic Lock</b> 10"W x 16½"D	AUFD15NE	\$ 684
	<b>Flush Undermount Right-Hinged Door 20"H with Electronic Lock</b> 10"W x 14½"D	AUFH15NE	\$ 653
	<b>Flush Undermount Left-Hinged Door 20"H with Electronic Lock</b> 10"W x 14½"D	AUFHL15NE	\$ 643
	<b>Console Undermount Right Hinged Door Bin 20"H with Electronic Lock</b> 10"W x 15"D, Non-USB Console	AUCH15NE	\$ 749
	10"W x 15"D, USB Console	AUCH15UE	\$ 891
	<b>Console Undermount Left Hinged Door Bin 20"H with Electronic Lock</b> 10"W x 15"D, Non-USB Console	AUCL15NE	\$ 749
	10"W x 15"D, USB Console	AUCL15UE	\$ 891

<b>How to specify —</b> Select the Model Number from above.	<b>1st Option:</b> <b>Pull Type</b> (if applicable): M Beam O Halo B Bar S Square Slim Peds (10"W) only accept Square Pull. See matrix on page 15.	<b>2nd Option:</b> <b>Pull Color</b> (if applicable): M Beam / O Halo PJW Designer White PR6 Silver PJE Pyrite P8X Solar Black P2 upcharge +\$1.5/pull	B Bar P27 Black PJW Designer White PR6 Silver S Square PJW Designer White EL Matte Silver P02 Flint P7B Loft PJE Pyrite P8X Solar Black P2 upcharge +\$1.5/pull	<b>3rd Option:</b> <b>Paint:</b> P1 P2 P3 See page 178 for finishes. P2 add \$30 P3 add \$60	<b>4th Option:</b> <b>Front Paint:</b> P1 P2 P3 See page 178 for finishes. NA Match Case P1 add \$10 P2 add \$25 P3 add \$40
	A                     .	.	.	P           .	P           .

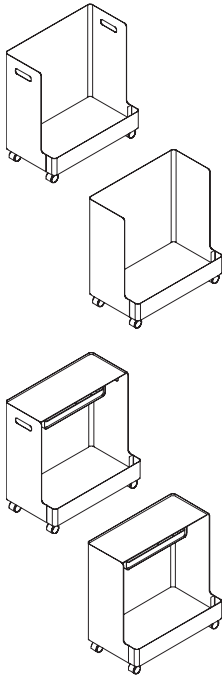
Continued below ▼

<b>5th Option:</b> <b>Tray and Accessories Color</b> (if applicable): DW Designer White E9 Flint	<b>6th Option:</b> <b>Console Poly Liner:</b> PL (if applicable)	<b>7th Option:</b> <b>Console Color</b> (if applicable): CGR Cool Grey	<b>8th Option:</b> <b>Lock Option:</b> EBNL Digital Lock add \$375 See page 191 for required manager key and programming key.	<b>9th Option:</b> <b>USB Color</b> (if applicable): STRM Storm
.	P   L	C   G   R           .	.	S   T   R   M

Example: AUCL15NE.SPR6.PDW.PDW.E9.PLCGR.EBNL

For specification information see page 180.

GSA SIN 33721



Description	Model	List Price
<b>Radii Caddy No Shelf</b> 22 7/8"H x 12 1/2"W x 21"D	ACMCM21O	\$ 704

<b>Radii Caddy with Shelf</b> 22 7/8"H x 12 1/2"W x 21"D	ACMCM21T	\$ 844
---	----------	--------

**Notes:** Paint 1 for case color and Paint 2 for top and bottom shelf color  
 Handle options: YHDL for handle cutout and NHDL for no handle cutout  
 Radii work tools available in Designer White-DW or Flint-E9  
 Casters only  
 Accepts Radii work tools

<p><b>How to specify —</b> Select the Model Number from above.</p> <p>ACMCM21 . . . . .</p>	<p><b>1st Option:</b> <b>Handle:</b> YHDL Handle Cutout NHDL No Handle Cutout</p> <p>. . . . .</p>	<p><b>2nd Option:</b> <b>Case Color (if applicable):</b> P1 P2 See page 178 for finishes.</p> <p>. . . . .</p>	<p><b>3rd Option:</b> <b>Top and Bottom Shelf Paint:</b> P1 P2 See page 178 for finishes.</p> <p>. . . . .</p>	<p><b>4th Option:</b> <b>Tray and Accessories Color (if applicable):</b> DW Designer White E9 Flint</p> <p>. . . . .</p>
---	--	--	--	--

Examples: ACMCM21O.YHDL.PJW.P02 ACMCM21T.NHDL.PR6.PR6.DW



For specification information see page 179.

GSA SIN PENDING



Description	Model	List Price
<b>Digital Lock Keys and Accessories</b>		
Programming Key	YPLDIGPRG	\$ 314
Manager Key	YPLDIGMGR	\$ 242

How to specify —

Select the Model Number from above.

Y | P | L | | | | | | | |

Example: YPLDIGPRG

# Notes

---

Effective Date May 13, 2022

- Software support packages furnished to the customer, either by Allsteel® or by another source, which support the sale of Allsteel products are superseded by printed price lists.
- Prices are subject to change without notice. All orders are subject to prices in effect at the time of order.
- Please refer to your Allsteel Dealer Sales and Discount Policies for order placement information, terms and conditions.
- Additional copies of this Specification and Price List are available upon request from Allsteel Literature at 1-866-255-7833.

- Ordering information appears at the bottom of each product page complete with examples on how to specify. Fabric and finish pages are referenced at the bottom of product pages.

This publication is available as an interactive or downloadable PDF at [www.allsteeloffice.com](http://www.allsteeloffice.com).

### Questions or Comments?

Please call us at: **888-ALLSTEEL**  
**888-255-7833**

Paint Finishes, Laminates, Eased Edge .....	194
Fabrics.....	195
Working with Height-Adjustable Tables .....	196-199
Altitude Height-Adjustable Tops, Bases, & Accessories .....	200-237
Altitude – A6.....	200-201
Altitude – Basic .....	202
Worksurfaces for Height-Adjustable Bases .....	203-207
Cable Management.....	208
Screens and Power Module.....	209
Altitude - Metal Screens.....	210-211
Power Rail Specifications.....	213-220
Working with Electrical and Data.....	221-225
Power Rail – Electrical Components.....	226-228
A8 Screen Kits.....	229
Metal Screens and Tackboard Accessories .....	230-231
Power Rails and Accessories .....	232-235
Working with Organization Rail & Accessories & Screens.....	236
Worksurface Mounted Rail and Accessories .....	237

### BASE COLORS

#### GRADE P1

Black	.....	P71
Brownstone	.....	P7D
Cinder	.....	P7Q
Designer White	.....	PJW
Flint	.....	P02
Fossil	.....	P28
Loft	.....	P7B
Muslin	.....	P4J
Nickel	.....	P8L
Parchment	.....	P93
Pebble	.....	P8R
Pewter	.....	P8D
Salt	.....	P8C
Titanium	.....	P8T

#### GRADE P2

Champagne Metallic	.....	PR5
Gunmetal Metallic	.....	PR3
Night Bronze	.....	P8B
Platinum Metallic	.....	PR2
Silver	.....	PR6

#### GRADE P3

Bullseye*	.....	PJF
Regatta*	.....	P8M
*** Altitude Basic is only offered in one finish, Silver (SVR)		

### POWER RAIL PAINT COLORS

#### GRADE P1

Black	.....	P71
Brownstone	.....	P7D
Bungalow	.....	P7C
Cinder	.....	P7Q
Designer White	.....	PJW
Flint	.....	P02
Fossil	.....	P28
Loft	.....	P7B
Muslin	.....	P4J
Pebble	.....	P8R
Pewter	.....	P8D
Salt	.....	P8C
Titanium	.....	P8T

#### GRADE P2

Champagne Metallic	.....	PR5
Gunmetal Metallic	.....	PR3
Night Bronze	.....	P8B
Pyrite	.....	PJE
Silver	.....	PR6
Solar Black	.....	P8X

#### GRADE P3

Atom	.....	P8S
Blossom***	.....	P8K
Cabernet***	.....	P7T
Conifer***	.....	P8H
Ember	.....	P8P
Ion	.....	P8N
Iris	.....	P8J
Krypton	.....	P8F
Regatta	.....	P8M
Succulent***	.....	P8A

\*\*\*These colors are intended to be an inspirational option for the trending market. Product application is limited and color availability is approximately two years to coincide with evolving workplace trends.

### A8 SCREEN BRACKET PAINT COLORS

#### GRADE P1

Black	.....	P71
Designer White	.....	PJW

#### GRADE P2

Silver	.....	PR6
--------	-------	-----

### LAMINATES

#### GRADE L1

#### SOLID COLORS

Black	.....	P
Brownstone*	.....	LM13
Bungalow*	.....	LM12
Designer White*	.....	LDW1
Flint*	.....	LM16
Fossil Shale*	.....	LEH1
Loft*	.....	LM11
Muslin*	.....	LM15
Titanium*	.....	LTI1

#### ABSTRACT

Ash	.....	LT3B
Handspun Pearl	.....	LAHP
Handspun Dove	.....	LAHD
Handspun Slate	.....	LAHS
Handspun Chestnut	.....	LAHC
Silver Mesh	.....	LT8D

#### WOODGRAIN

Belair	.....	LWBA
Bourbon Cherry	.....	H
Field Elm	.....	LWFE
Florence Walnut	.....	LFW1
Kingswood Walnut	.....	LK11
Natural Maple	.....	LWD
NeoWalnut	.....	LNU1
Pinnacle	.....	PINC
Shaker Cherry	.....	LW7C

#### GRADE L2

Beigewood	.....	LWBE
Fawn Cypress	.....	LFC1
Lowell Ash	.....	LLA1
Mangalore Mango	.....	LMM1
Natural Recon	.....	LNR1
Phantom Charcoal	.....	LPC1
Phantom Ecru	.....	LPE1
Portico Teak	.....	LPT1
Skyline Walnut	.....	LSW1
Veranda Teak	.....	LVT1

#### GRADE L3

Natural Walnut	.....	LWNW
----------------	-------	------

### EASED EDGE LAMINATES

#### GRADE L1

Designer White	.....	LDW1
Loft	.....	LM11
Natural Maple	.....	LWD

#### GRADE L2

Natural Recon	.....	LNR1
---------------	-------	------

### STRAIGHT/ROUNDED EDGE COLORS

Beigewood	.....	DE
Belair	.....	BA
Black	.....	E4
Bourbon Cherry	.....	H
Brownstone	.....	EY
Bungalow	.....	EX
Designer White	.....	DW
Fawn Cypress	.....	FC
Field Elm	.....	FE
Flint	.....	E9
Florence Walnut	.....	FW
Fossil	.....	EH
Kingswood Walnut	.....	KI
Loft	.....	EV
Lowell Ash	.....	DL
Mangalore Mango	.....	MM
Muslin	.....	EU
Natural Maple	.....	DD
Natural Recon	.....	NR
Natural Walnut	.....	DN
NeoWalnut	.....	NU
Parchment	.....	EN
Phantom Charcoal	.....	PC
Phantom Ecru	.....	PE
Pinnacle	.....	PI
Platinum Metallic	.....	EP
Plyband	.....	PL
Portico Teak	.....	DP
Shaker Cherry	.....	DF
Skyline Walnut	.....	SW
Titanium	.....	TI
Veranda Teak	.....	VT

### ELECTRICAL & DATA COMPONENTS

Black	.....	E4
Brownstone	.....	EY
Designer White	.....	DW
Flint	.....	E9
Loft	.....	EV
Muslin	.....	EU
Silver	.....	ES

All of Allsteel's tables are level® - 2 certified to the ANSI/BIFMA e3 Furniture Sustainability Standard. See [www.levelcertified.org](http://www.levelcertified.org) for more information.

**NOTE:** Refer to individual product pages for upcharges.

# Fabrics

For use with Screen Kits.

GSA Reference Page

## GRADE A

### NOBLE

Aspen .....	NBLE14
Bordeaux.....	NBLE01
Brick .....	NBLE02
Chambray .....	NBLE10
Clementine .....	NBLE04
Dawn .....	NBLE13
Denim .....	NBLE09
Grass.....	NBLE07
Gunmetal .....	NBLE15
Harvest .....	NBLE12
Jade.....	NBLE06
Knight .....	NBLE17
Mesa .....	NBLE03
Pacific .....	NBLE08
Rainforest .....	NBLE05
Regal.....	NBLE11
Stormy .....	NBLE16

## GRADE D

### BLAZER LITE

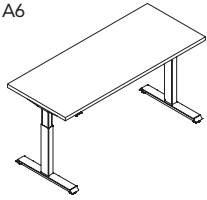
*(100% Pure New Wool)*

Haven .....	PCAMBLT40
Retreat .....	PCAMBLT39
Solace.....	PCAMBLT70

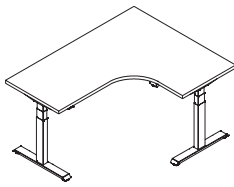
ALTITUDE

Altitude height-adjustable bases are available in five styles:

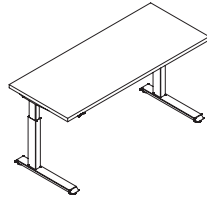
### A6



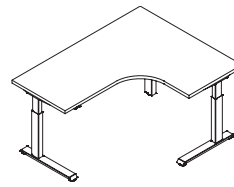
T-leg with  
Rectangular Worksurface



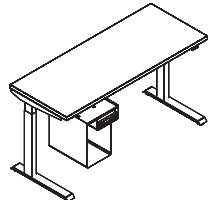
T-leg with  
Corner Cove Worksurface



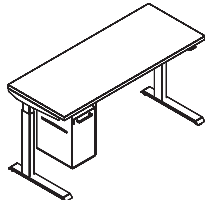
C-leg with  
Rectangular Worksurface



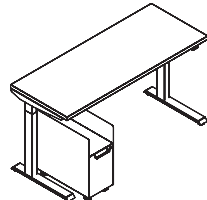
C-leg with  
Corner Cove Worksurface



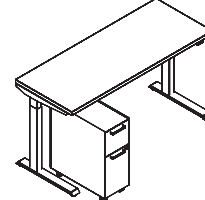
Altitude HAT  
with Undermount  
Radii Console



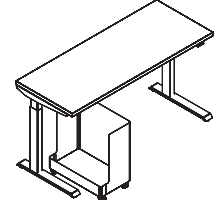
Altitude HAT  
with Flush Undermount  
Radii



Altitude HAT  
with Freestanding Mobile  
Alcove Radii

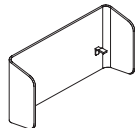


Altitude HAT  
with Freestanding Mobile  
Alcove Radii

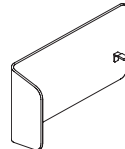


Altitude HAT with  
Freestanding Mobile  
Radii Caddy

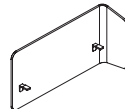
### A8 Screens



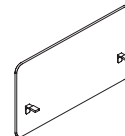
U Screen Kit



L Screen Kit (Left)



L Screen Kit (Right)



Rectangular Screen Kit

### Metal Screens



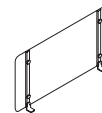
L Screen (Left)



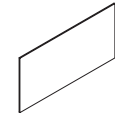
L Screen (Right)



U Screen

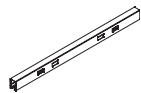


Straight

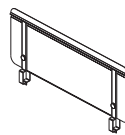


Tackboard Accessory

### Altitude Power Rail



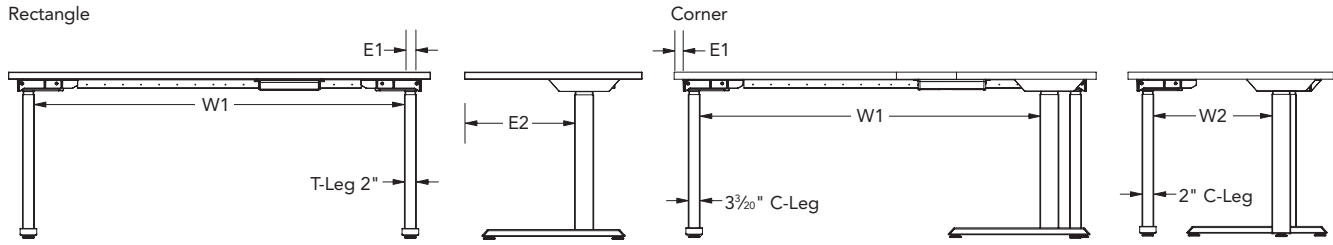
Altitude Power Rail



Altitude Rail Screen

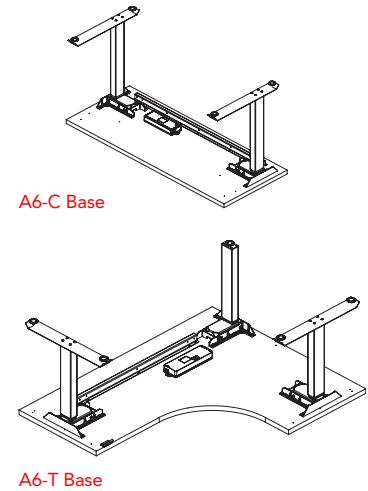
A6 Clearance Dimensions

Rectangle



Base Style:	A6-T Base				A6-C Base				
	Dimension Location:	E1	W1	W2	E2	E1	W1	W2	E2
<b>Altitude Top:</b> (Surface dimensions are nominal. Actual widths are reduced by 2")	Edge of table to outside of leg	Between legs	Between legs	Edge of table to the outside of leg	Edge of table to outside of leg	Between legs	Between legs	Edge of table to the outside of leg	
24" x 48" Rectangle*	2½"	35¼"	—	10%"	2½"	35¼"	—	14¼"	
24" x 54" Rectangle	2½"	41¼"	—	10%"	2½"	41¼"	—	14¼"	
24" x 60" Rectangle	2½"	47¼"	—	10%"	2½"	47¼"	—	14¼"	
24" x 66" Rectangle	2½"	53¼"	—	10%"	2½"	53¼"	—	14¼"	
24" x 72" Rectangle	2½"	59¼"	—	10%"	2½"	59¼"	—	14¼"	
30" x 48" Rectangle	2½"	35¼"	—	13%"	2½"	35¼"	—	17¼"	
30" x 54" Rectangle	2½"	41¼"	—	13%"	2½"	41¼"	—	17¼"	
30" x 60" Rectangle	2½"	47¼"	—	13%"	2½"	47¼"	—	17¼"	
30" x 66" Rectangle	2½"	53¼"	—	13%"	2½"	53¼"	—	17¼"	
30" x 72" Rectangle	2½"	59¼"	—	13%"	2½"	59¼"	—	17¼"	
60" x 36" Corner Cove	2½"	43"	26"	10%"	2½"	43"	29½"	14¼"	
60" x 48" Corner Cove	2½"	43"	32"	10%"	2½"	43"	35½"	14¼"	
72" x 36" Corner Cove	2½"	55"	26"	10%"	2½"	55"	29½"	14¼"	
72" x 48" Corner Cove	2½"	55"	32"	10%"	2½"	55"	35½"	14¼"	

Bottom Views



A6-C Base

A6-T Base

Feature	Altitude Basic	A6
Range Adjustment	26¼" – 43¾"H + Adjustable Glide	2-Stage 26½" to 45¼" + ½" Adjustable Glide
Base Only, Without Work Surface		3-Stage 21¼" to 47½" + ½" Adjustable Glide
Range Adjustment	27¾" to 44"H + Adjustable Glide	2-Stage 27¾" to 46¾" + ½" Adjustable Glide
Includes Standard Allsteel 1½" Work Surface		3-Stage 22¾" to 48¾" + ½" Adjustable Glide
Foot Configuration	<ul style="list-style-type: none"> <li>T Foot</li> <li>Standard leveling glide</li> </ul>	<ul style="list-style-type: none"> <li>T Foot or C Foot</li> <li>Standard options include leveling glide, slide glides, and casters</li> <li>Foot Control</li> </ul>
Leg Options	2 leg	2 and 3 leg
UL Certified Weight Rating	180 lbs	<ul style="list-style-type: none"> <li>250 lbs for 2 leg</li> <li>350 lbs for 2-leg Max</li> <li>320 lbs for 3-leg</li> <li>500 lbs for 3-leg Max</li> </ul>
Cross Bar Design	Yes	A6 models ordered prior to 4/5/2021 have cross bar understructure, A6 models ordered after 4/5/2021 do not
Colors	Silver Only	20 Allsteel Paint Finishes offered, see Altitude Tables Finishes page
Control Pad	Up/down only	Basic up/down, memory preset, paddle, foot pedal
Wire Management	Allsteel standard options available Hinged trough not recommended	Allsteel standard options available
Power Access	Desktop power modules available	Desktop power modules available
Warranty	5 years	If Purchased Before 3/1/2021: 10 Years Metal Base, 7 Years Electronics If Purchased After 3/1/2021: 10 Years for Entire Product

Height-Adjustable Worksurfaces, Bases, and Controls

Height-Adjustable Worksurfaces (page 203)

- Height-adjustable worksurfaces are available in laminate with flat edge and rectangular veneer with matching square edge.
- T-mold is used on the edge of curved worksurfaces. This will have a noticeable visual difference when directly adjacent to straight worksurfaces.
- Worksurface dimensions are nominal. Actual widths are reduced by 2" (1" each side) and worksurface depths are reduced by ¼". Corner cove depth is nominal, actual is 1" less.
- **Rectangular undersized worksurface models' (model number ending in -U) actual widths and depths are reduced by 2".**
- **Corner Cove undersized worksurface models' (model number ending in -LD) actual dimensions are reduced by 2".**
- Altitude worksurfaces are pre-drilled with mounting location for bases.
- Rectangular worksurface grommet location is limited to center location due to mounting of worksurface supports at each end of the worksurface.
- **A6 load capacity is 250 lbs for 2-leg models, 320 lbs for 3-leg models, 350 lbs for 2-leg Max models, and 500 lbs for 3-leg Max models. This includes the weight of the worksurface.**
- **Certain two-piece top configurations may require two stiffeners depending on the footprint of your station.**

Height-Adjustable Bases (pages 200-201)

- Electronic height-adjustable base units are available in six styles: A6-T Base with 2 legs, A6-C Base with 2 legs, A6-T Base with 3 legs, A6-C Base with 3 legs, A6-T Max Base with 2 legs, A6-C Max Base with 2 legs, **A6-T Max Base with 3 legs, and A6-C Max Base with 3 legs.**
- A6 2-stage 1.2"/sec, A6 3-stage 1.4"/sec, A6 Max .8"/sec. Motor devices have a continuous cycle time of 2 minutes with an 18 minute rest period before it can be cycled again.
- Control box is powered by 110-120V/60Hz/4A. Standby power is < 0.1 Watts. Power cords on A6-T models are 10'.
- Pedestals taller than 24½" for 2-stage models and 19½" for 3-stage models when placed under table will limit range in lowest position.
- Mobile box/file pedestals will clear feet on height adjustable base but will extend past edge of worksurface in that position. See chart on page 197.
- Moving worksurfaces can collide with other components. It is important to ensure free range of motion prior to operating the table.
- All tables have adjustable glides providing ½" adjustment on A6.
- Slide glides offered as a .option and model level. Only available on 2-leg bases.
- **3-Leg standard bases can accommodate worksurface configurations from 24"D x 48"W x 36"W to 30"D x 72"W x 48"W.**
- **3-Leg Max bases can accommodate worksurface configurations from 24"D x 48"W x 36"W to 30"D x 72"W x 72"W.**
- Casters available on model level for retrofitting on 2-Leg Bases ONLY.
- Altitude A6 tables feature **collision detection**, a feature designed to stop table travel when the table detects an obstacle.
- Altitude A6 bases specified with a work surface 60"W and greater require the use of an external stiffener. An external stiffener is included in Altitude work surface models 60"W and greater (all models ending with letter -D). If a non-Altitude work surface is being used, an external stiffener may need to be specified separately.

A6 Control Options

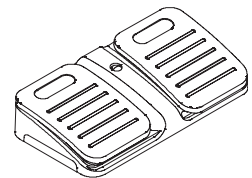
- Memory Controls are now a .option.
- Up/Down: Basic Up/Down control.
- Memory Control: 4 memory pre-set options allow the user to adjust their height to their preferred heights.
- Paddle: Simple, aesthetic control with 1 memory pre-set option and reminder mode.
- Foot Control: Basic up/down wireless, hands free control. Can be paired with hand controls for multi-control option.
- Bluetooth Capability: A6 optional Bluetooth capability is sold as accessory model A6BLUETOOTH. Bluetooth is enabled through smartphone app AiDesk. Bluetooth control will only work with 2-leg A6 tables. Bluetooth control will **not** work with 3-leg A6 tables.

Altitude Basic (page 203)

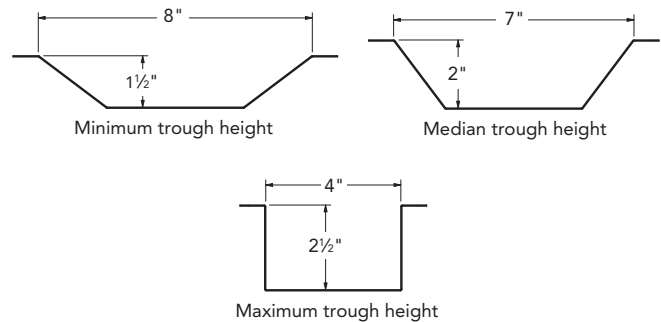
- Altitude Basic can accommodate either 24"D or 30"D work surfaces
- Altitude Basic can accommodate work surfaces ranging from 48"W to 60"W, 60"W is the maximum work surface size for the Altitude Basic
- Supports weight capacity of 180 lbs.
- Control Box: 100-240V, 3.6A, 50/60Hz, 400W
- 9' grounded power cord
- 1½"/second travel speed
- Available in silver only
- Available with up/down control only
- Features "easy-to-assemble" installation

Foot Controls

- Wireless, hands free control.
- Can be paired with hand control for multi-control option.
- 2 AAA batteries needed. Batteries not included.

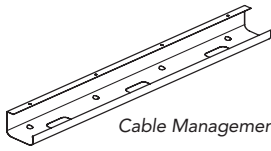


Cross-sectional Area Inside Under Worksurface Troughs

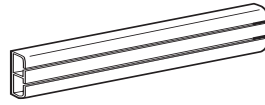




## Cable & Wire Management



Cable Management Tray



Wire Management Channel

### Cable Management Tray (page 208)

- Attaches under the worksurface to contain cables.
- Metal tray shelf is 4" deep. Can hold electrical power strip and/or surge protector.
- 24" and 36" lengths, use multiple units for larger worksurfaces.
- Attachment hardware included, specify paint color.

### Wire Management Channel (page 208)

- Self adhesive backing to attach to panels and underside of worksurfaces.
- Flexible strips allow cabling to enter/exit and can be contained inside the 2-cavity profile.
- Each cavity provides space for a maximum of six .22" dia. cables. Total capacity = 1 sq. in.

### Cord Management Chain (page 208)

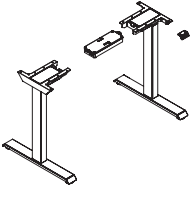
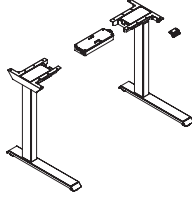
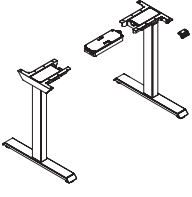
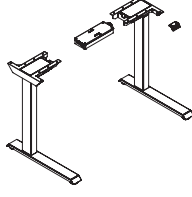
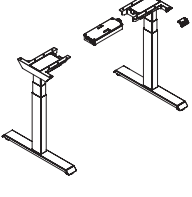
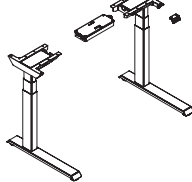
- Works with Approach and Altitude **A6-units**.
- Used to route and conceal power/data cables from control box and other devices. Includes all mounting hardware and a plate to secure to a leveling glide.
- Houses 6 cables @ 0.300" diameter.
- Made of plastic chain with plastic attachment brackets at each end. Only comes in Black finish.

### Under Worksurface Trough (page 208)

- Used to conceal wires and control box below worksurfaces. Trough can be configured at various height/width combinations to meet capacity needs — see illustrations below.
- On 48"W and 54"W worksurfaces use one 17"W trough. 54"W has space to use 2 – 17"W, if necessary.
- On 60"W, 66"W, and 72"W worksurfaces use the 36" trough.
- On 84"W worksurface use 2 – 17"W troughs.

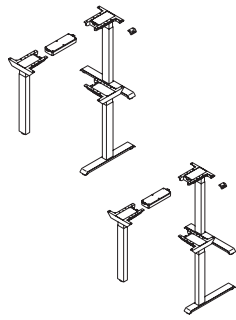
### Quad Tap (page 208)

- Under surface mounting, used on any worksurface.
- 10' Power cord. UL Listed
- 4 Simplex receptacles.
- May be used in conjunction with hinged trough to reduce the number of cords routed from a worksurface to a beam.

Description	Model	List Price		
		P1	P2	P3
<b>2-Stage</b>				
 2 Stage, 2 Leg Rectangle T Foot	<b>A6REC2S2LTF</b>	<b>\$ 1915</b>	<b>\$ 2068</b>	<b>\$ 2298</b>
*Bases purchased in April 2021 or later accommodate 24"D-30"D Rectangular Worksurfaces 24"W-72"W, bases purchased prior to this date accommodate 24"D-30"D Rectangular Worksurfaces 48"W-72"W				
 2 Stage, 2 Leg Rectangle C Foot	<b>A6REC2S2LCF</b>	<b>\$ 1915</b>	<b>\$ 2068</b>	<b>\$ 2298</b>
*Bases purchased in April 2021 or later accommodate 24"D-30"D Rectangular Worksurfaces 24"W-72"W, bases purchased prior to this date accommodate 24"D-30"D Rectangular Worksurfaces 48"W-72"W				
<b>3-Stage</b>				
 A6 3 Stage, 2 Leg Rectangle T Foot	<b>A6REC3S2LTF</b>	<b>\$ 2148</b>	<b>\$ 2320</b>	<b>\$ 2578</b>
*Bases purchased in April 2021 or later accommodate 24"D-30"D Rectangular Worksurfaces 24"W-72"W, bases purchased prior to this date accommodate 24"D-30"D Rectangular Worksurfaces 48"W-72"W				
 A6 3 Stage, 2 Leg Rectangle C Foot	<b>A6REC3S2LCF</b>	<b>\$ 2148</b>	<b>\$ 2320</b>	<b>\$ 2578</b>
*Bases purchased in April 2021 or later accommodate 24"D-30"D Rectangular Worksurfaces 24"W-72"W, bases purchased prior to this date accommodate 24"D-30"D Rectangular Worksurfaces 48"W-72"W				
 A6 Max 3 Stage, 2 Leg T Foot	<b>A6MREC3S2LTF</b>	<b>\$ 2982</b>	<b>\$ 3220</b>	<b>\$ 3579</b>
*Bases purchased in April 2021 or later accommodate 24"D-30"D Rectangular Worksurfaces 24"W-96"W, bases purchased prior to this date accommodate 24"D-30"D Rectangular Worksurfaces 48"W-96"W				
*350 LB Max Lift Capacity				
 A6 Max 3 Stage, 2 Leg C Foot	<b>A6MREC3S2LCF</b>	<b>\$ 2982</b>	<b>\$ 3220</b>	<b>\$ 3579</b>
*Bases purchased in April 2021 or later accommodate 24"D-30"D Rectangular Worksurfaces 24"W-96"W, bases purchased prior to this date accommodate 24"D-30"D Rectangular Worksurfaces 48"W-96"W				
*350 LB Max Lift Capacity				

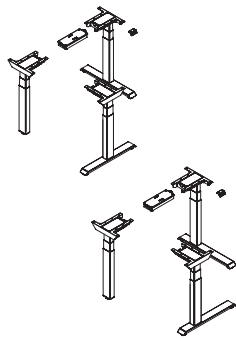
<p><b>How to specify —</b> Select the Model Number from above.</p>	<p><b>1st Option:</b> Select the Base Paint Color (if applicable):                      (P1) (P2) (P3)                      See page 194 for paint finishes.</p>	<p><b>2nd Option:</b> Select Feet Options (if applicable):                      X Standard Glides                      S Slide Glides (\$135 extra)</p>	<p><b>3rd Option:</b> Select the Keypad (if applicable):                      UD Basic Up/Down                      MEM Memory Preset                      PDL Paddle</p>
--	--	---	---

Example: A6RND3S2LCF.P8L.X.PDL



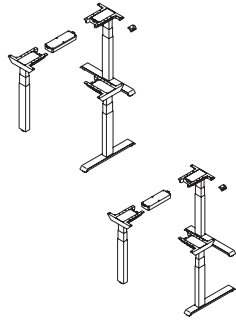
Description	Model	List Price		
		P1	P2	P3
<b>2-Stage</b>				
A6 2 Stage, 3 Leg Rectangle T Foot	A6REC2S3LTF	\$ 3099	\$ 3409	\$ 3874

A6 2 Stage, 3 Leg Rectangle C Foot	A6REC2S3LCF	\$ 3099	\$ 3409	\$ 3874
------------------------------------	-------------	---------	---------	---------



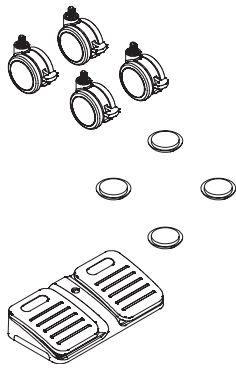
<b>3-Stage</b>				
A6 3 Stage, 3 Leg Rectangle T Foot	A6REC3S3LTF	\$ 3377	\$ 3647	\$ 4053
*3-leg standard bases can accommodate worksurface configurations from 24"D x 48"W x 36"W to 30"D x 72"W x 48"W.				

A6 3 Stage, 3 Leg Rectangle C Foot	A6REC3S3LCF	\$ 3377	\$ 3647	\$ 4053
*3-leg standard bases can accommodate worksurface configurations from 24"D x 48"W x 36"W to 30"D x 72"W x 48"W.				



A6 Max 3 Stage, 3 Leg Rectangle T Foot	A6MREC3S3LTF	\$ 3899	\$ 4289	\$ 4874
*3-Leg Max bases can accommodate worksurface configurations from 24"D x 48"W x 36"W to 30"D x 72"W x 72"W.				

A6 Max 3 Stage, 3 Leg Rectangle C Foot	A6MREC3S3LCF	\$ 3899	\$ 4289	\$ 4874
*3-Leg Max bases can accommodate worksurface configurations from 24"D x 48"W x 36"W to 30"D x 72"W x 72"W.				



<b>Foot Retrofit Options</b>				
Casters (Use on 2-leg bases ONLY)	A6CASTER*	\$ 245	N/A	N/A

\* A6 casters are intended for use with Allsteel A6 height-adjustable tables. When purchased separately and used without Allsteel furniture, the A6 casters marked by (\*) are considered Open Market.

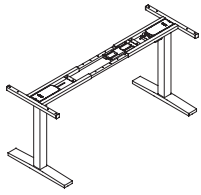
Slide Glides (Use on 2-leg bases ONLY)	A6SLDGLIDE	\$ 178	N/A	N/A
--	------------	--------	-----	-----

<b>Foot Control</b>				
A6 Wireless Foot Control Pad	A6FOOTCNTL	\$ 319	N/A	N/A

<b>Bluetooth Control</b>				
A6 Bluetooth Accessory	A6BLUETOOTH	\$ 125	N/A	N/A
* Bluetooth control will only work with 2-leg A6 tables. Bluetooth control will not work with 3-leg A6 tables.				

<p><b>How to specify —</b> Select the Model Number from above.</p>	<p><i>1st Option:</i> <b>Select the Base Paint Color</b> (if applicable): P1 P2 P3 See page 194 for paint finishes.</p>	<p><i>2nd Option:</i> <b>Select Feet Options</b> (if applicable): X Standard Glides</p>	<p><i>3rd Option:</i> <b>Select the Keypad</b> (if applicable): UD Basic Up/Down MEM Memory Preset PDL Paddle</p>
_____.	_____.	_____.	_____.

Example: A6RND3S3LCF.P8L.X.PDL



Description	Model	Price
Altitude Basic 2 Stage, 2 Leg T Foot	A2REC2S2L	\$ 1439

**Note:** Altitude Basic meets HNI Commercial Performance Standards, Altitude Basic does not meet ANSI/BIFMA performance standard.

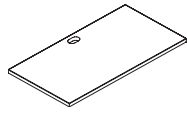
ALTITUDE

<p><b>How to specify —</b> Select the Model Number from above.</p> <p>_____.</p>	<p><b>1st Option:</b> Select the Base Paint Color (if applicable): SVR Silver</p> <p>____.</p>	<p><b>2nd Option:</b> Select Feet Options (if applicable): X Standard Glides</p> <p>_____.</p>	<p><b>3rd Option:</b> Select the Keypad (if applicable): UD Basic Up/Down</p> <p>____.</p>
--	--	--	--

Example: A2REC2S2L.SVR.X.UD

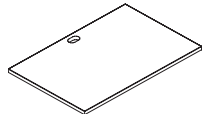
For specification information see page 198.

GSA SIN 33721



Description	Laminate w/Flat Edge Model	Veneer w/Square Edge Model	Ship Weight	List Price			List Price		
				L1	L2	L3	V1	V3	V5
<b>Rectangular Laminate Tops — 24"D (60" to 96" ships with stiffener)</b>									
78"W – 96"W Tops can ONLY be used with Altitude MAX Base									
48"W	AF5RS4824	AVF5RS4824	46	\$ 556	\$ 578	\$ 595	\$ 1856	\$ 2057	\$ 2191
54"W	AF5RS5424	AVF5RS5424	48	\$ 604	\$ 627	\$ 646	\$ 1945	\$ 2156	\$ 2296
60"W	AF5RS6024D	AVF5RS6024D	53	\$ 752	\$ 776	\$ 796	\$ 2152	\$ 2373	\$ 2520
66"W	AF5RS6624D	AVF5RS6624D	74	\$ 779	\$ 804	\$ 824	\$ 2157	\$ 2379	\$ 2526
72"W	AF5RS7224D	AVF5RS7224D	82	\$ 801	\$ 826	\$ 846	\$ 2258	\$ 2488	\$ 2642
78"W	AF5RS7824D		76	\$ 829	\$ 844	\$ 859	—	—	—
84"W	AF5RS8424D		81	\$ 744	\$ 759	\$ 774	—	—	—
90"W	AF5RS9024D		86	\$ 867	\$ 882	\$ 897	—	—	—
96"W	AF5RS9624D		91	\$ 888	\$ 903	\$ 918	—	—	—

<b>Rounded Corner Laminate Tops — 24"D (60" to 96" ships with stiffener)</b>									
78"W – 96"W Tops can ONLY be used with Altitude MAX Base									
48"W	AF5RND4824		46	\$ 641	\$ 656	\$ 671	—	—	—
54"W	AF5RND5424		48	\$ 695	\$ 710	\$ 725	—	—	—
60"W	AF5RND6024D		53	\$ 847	\$ 862	\$ 877	—	—	—
66"W	AF5RND6624D		78	\$ 892	\$ 907	\$ 922	—	—	—
72"W	AF5RND7224D		85	\$ 921	\$ 936	\$ 951	—	—	—
78"W	AF5RND7824D		76	\$ 951	\$ 966	\$ 981	—	—	—
84"W	AF5RND8424D		81	\$ 871	\$ 886	\$ 901	—	—	—
90"W	AF5RND9024D		86	\$ 997	\$ 1012	\$ 1027	—	—	—
96"W	AF5RND9624D		91	\$ 1019	\$ 1034	\$ 1049	—	—	—



<b>Rectangular Laminate Tops — 30"D (60" to 96" ships with stiffener)</b>									
78"W – 96"W Tops can ONLY be used with Altitude MAX Base									
48"W	AF5RS4830	AVF5RS4830	52	\$ 626	\$ 649	\$ 669	\$ 2041	\$ 2262	\$ 2409
54"W	AF5RS5430	AVF5RS5430	59	\$ 710	\$ 735	\$ 758	\$ 2132	\$ 2363	\$ 2517
60"W	AF5RS6030D	AVF5RS6030D	63	\$ 841	\$ 868	\$ 889	\$ 2335	\$ 2576	\$ 2737
66"W	AF5RS6630D	AVF5RS6630D	78	\$ 891	\$ 919	\$ 942	\$ 2343	\$ 2585	\$ 2746
72"W	AF5RS7230D	AVF5RS7230D	87	\$ 914	\$ 942	\$ 966	\$ 2440	\$ 2690	\$ 2857
78"W	AF5RS7830D		92	\$ 944	\$ 959	\$ 974	—	—	—
84"W	AF5RS8430D		98	\$ 863	\$ 878	\$ 893	—	—	—
90"W	AF5RS9030D		105	\$ 991	\$ 1006	\$ 1021	—	—	—
96"W	AF5RS9630D		111	\$ 1014	\$ 1029	\$ 1044	—	—	—



<b>Rounded Corner Laminate Tops — 30"D (60" to 96" ships with stiffener)</b>									
78"W – 96"W Tops can ONLY be used with Altitude MAX Base									
48"W	AF5RND4830		52	\$ 719	\$ 734	\$ 749	—	—	—
54"W	AF5RND5430		59	\$ 815	\$ 830	\$ 845	—	—	—
60"W	AF5RND6030D		63	\$ 953	\$ 968	\$ 983	—	—	—
66"W	AF5RND6630D		82	\$ 1024	\$ 1039	\$ 1054	—	—	—
72"W	AF5RND7230D		90	\$ 1051	\$ 1066	\$ 1081	—	—	—
78"W	AF5RND7830D		92	\$ 1084	\$ 1099	\$ 1114	—	—	—
84"W	AF5RND8430D		98	\$ 1009	\$ 1024	\$ 1039	—	—	—
90"W	AF5RND9030D		105	\$ 1139	\$ 1154	\$ 1169	—	—	—
96"W	AF5RND9630D		111	\$ 1167	\$ 1182	\$ 1197	—	—	—

**Note:** Height-adjustable worksurface dimensions are nominal. Actual widths are reduced by 2" (1" on each side, and worksurface depths are reduced by 3/4". Corner cove depth is nominal, actual is 1" less. This is to allow for pinch-points and unobstructed table movement.

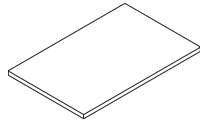
How to specify — Select the Model Number from above.	1st Option: Laminate or Veneer Type and Finish (if applicable): See page 194 for finishes.	2nd Option: Paint (if applicable): See page 194 for finishes.	3rd Option: Laminate Edge Color (if applicable): See page 194 for finishes.	4th Option: Grommet Location (if applicable): GC Grommet Center GO No Grommet	5th Option: Grommet Type (if applicable): P Oval Plastic M Oval Metal S Square Metal  (Add \$11 per grommet for metal.)	6th Option: Grommet Color (Metal only): EL Matte Silver  Plastic grommet color determined by worksurface finish.
_____ .	_____ .	_____	_____ .	_____	_____	_____

Examples: AF5RS4824.LM14EW.GO AVF5RS4824.SC777.GC.SEL

For specification information see page 198.

GSA SIN PENDING

ALTITUDE



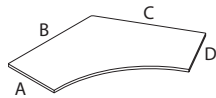
Description	Laminate w/Flat Edge Model	Ship Weight	List Price		
			L1	L2	L3
<b>Undersized Rectangular Worksurface - 24"D (60" to 96" ships with stiffener)</b>					
<b>78"W - 96"W Tops can ONLY be used with Altitude MAX base.</b>					
36"W	AF5RS3624U	23	\$ 427	\$ 448	\$ 470
42"W	AF5RS4224U	27	\$ 465	\$ 488	\$ 512
48"W	AF5RS4824U	31	\$ 522	\$ 548	\$ 574
54"W	AF5RS5424U	35	\$ 567	\$ 595	\$ 624
60"W	AF5RS6024UD	49	\$ 705	\$ 740	\$ 776
66"W	AF5RS6624UD	53	\$ 731	\$ 768	\$ 804
72"W	AF5RS7224UD	57	\$ 751	\$ 789	\$ 826
78"W	AF5RS7824UD	62	\$ 778	\$ 817	\$ 856
84"W	AF5RS8424UD	66	\$ 698	\$ 733	\$ 768
90"W	AF5RS9024UD	70	\$ 814	\$ 855	\$ 895
96"W	AF5RS9624UD	74	\$ 833	\$ 875	\$ 916

**Undersized Rectangular Worksurface - 30"D (60" to 96" ships with stiffener)**

**78"W - 96"W Tops can ONLY be used with Altitude MAX base.**

36"W	AF5RS3630U	29	\$ 474	\$ 498	\$ 521
42"W	AF5RS4230U	35	\$ 504	\$ 529	\$ 554
48"W	AF5RS4830U	40	\$ 587	\$ 616	\$ 646
54"W	AF5RS5430U	45	\$ 666	\$ 699	\$ 733
60"W	AF5RS6030UD	60	\$ 789	\$ 828	\$ 868
66"W	AF5RS6630UD	65	\$ 836	\$ 878	\$ 920
72"W	AF5RS7230UD	70	\$ 868	\$ 911	\$ 955
78"W	AF5RS7830UD	76	\$ 886	\$ 930	\$ 975
84"W	AF5RS8430UD	81	\$ 810	\$ 851	\$ 891
90"W	AF5RS9030UD	86	\$ 930	\$ 977	\$ 1023
96"W	AF5RS9630UD	91	\$ 952	\$ 1000	\$ 1047

**120 Degree Corner Worksurface - 24"D**

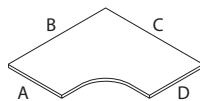


24" A x 42" B x 42" C x 24" D	AF5120S4224D	59	\$ 853	\$ 939	\$ 939
24" A x 48" B x 48" C x 24" D	AF5120S4824D	69	\$ 934	\$ 981	\$ 1027
24" A x 54" B x 54" C x 24" D	AF5120S5424D	79	\$ 1101	\$ 1156	\$ 1211

**120 Degree Corner Worksurface - 30"D**

30" A x 42" B x 42" C x 30" D	AF5120S4230D	68	\$ 853	\$ 896	\$ 939
30" A x 48" B x 48" C x 30" D	AF5120S4830D	79	\$ 1204	\$ 1265	\$ 1325
30" A x 54" B x 54" C x 30" D	AF5120S5430D	92	\$ 1371	\$ 1440	\$ 1508

**Symmetrical Corner Cove Worksurface — 24"D**



24" A x 54" B x 54" C x 24" D	AF5CCS5424	56	\$ 994	\$ 1044	\$ 1093
-------------------------------	------------	----	--------	---------	---------

**Symmetrical Corner Cove Worksurface — 30"D**

30" A x 54" B x 54" C x 30" D	AF5CCS5430	66	\$ 1086	\$ 1140	\$ 1195
-------------------------------	------------	----	---------	---------	---------

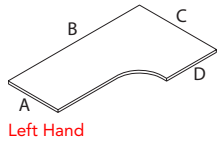
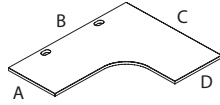
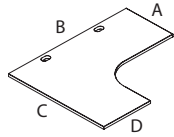
How to specify — Select the Model Number from above.	1st Option: FSC Certified Wood:	2nd Option: Laminate:	3rd Option: Laminate Edge Color:	4th Option: Grommet Location (if applicable):	5th Option: Grommet Type (if applicable):	6th Option: Grommet Color (Metal only):
<div style="display: flex; justify-content: space-between;"> <div style="width: 10%; text-align: center;"> <input type="checkbox"/> <input type="checkbox"/> <input type="checkbox"/> <input type="checkbox"/> <input type="checkbox"/> <input type="checkbox"/> <input type="checkbox"/> <input type="checkbox"/> <input type="checkbox"/> <input type="checkbox"/> <input type="checkbox"/> <input type="checkbox"/> <input type="checkbox"/> <input type="checkbox"/> <input type="checkbox"/> <input type="checkbox"/> <input type="checkbox"/> <input type="checkbox"/> <input type="checkbox"/> <input type="checkbox"/> <input type="checkbox"/> </div> <div style="width: 10%; text-align: center;"> <input type="checkbox"/> <input type="checkbox"/> <input type="checkbox"/> <input type="checkbox"/> <input type="checkbox"/> <input type="checkbox"/> <input type="checkbox"/> <input type="checkbox"/> <input type="checkbox"/> <input type="checkbox"/> <input type="checkbox"/> <input type="checkbox"/> <input type="checkbox"/> <input type="checkbox"/> <input type="checkbox"/> <input type="checkbox"/> <input type="checkbox"/> <input type="checkbox"/> <input type="checkbox"/> <input type="checkbox"/> <input type="checkbox"/> </div> </div>	<b>FSC</b> FSC Mixed Credit <b>X</b> Standard Wood	See page 194 for finishes.	See page 194 for finishes.	<b>GC</b> Grommet Center <b>GO</b> No Grommet	<b>P</b> Oval Plastic <b>M</b> Oval Metal <b>S</b> Square Metal  (Add \$11 per grommet for metal.)	<b>EL</b> Matte Silver  Plastic grommet color determined by worksurface finish.

Example:

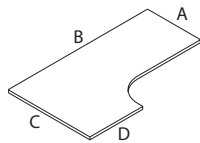
For specification information see page 198.

GSA SIN 33721

Description	Laminate w/Flat Edge Model	Ship Weight	List Price		
			L1	L2	L3
<b>Corner Cove Laminate Tops — 24"D Extended Left</b>					
24" A x 60" B x 36" C x 24" D	A5822ELS	54	\$ 931	\$ 962	\$ 992
24" A x 60" B x 48" C x 24" D	A5622ELS	75	\$ 1021	\$ 1055	\$ 1088
24" A x 72" B x 36" C x 24" D	A5922ELS	63	\$ 1040	\$ 1074	\$ 1107
24" A x 72" B x 48" C x 24" D	A5722ELS	86	\$ 1300	\$ 1343	\$ 1384
<b>Corner Cove Laminate Tops — 24"D Extended Right</b>					
24" A x 60" B x 36" C x 24" D	A5822ERS	54	\$ 931	\$ 962	\$ 992
24" A x 60" B x 48" C x 24" D	A5622ERS	75	\$ 1021	\$ 1055	\$ 1088
24" A x 72" B x 36" C x 24" D	A5922ERS	63	\$ 1040	\$ 1074	\$ 1107
24" A x 72" B x 48" C x 24" D	A5722ERS	86	\$ 1300	\$ 1343	\$ 1384
<b>Note:</b> Height-adjustable worksurface dimensions are nominal. Actual widths are reduced by 2" (1" on each side" and worksurface depths are reduced by 3/4". Corner cove depth is nominal, actual is 1" less. This is to allow for pinch-points and unobstructed table movement.					
<b>Undersized Corner Cove Worksurface, Left Hand — 24"D</b>					
24" A x 60" B x 36" C x 24" D	AF5CCS603624LD	58	\$ 874	\$ 918	\$ 916
24" A x 60" B x 48" C x 24" D	AF5CCS604824LD	67	\$ 958	\$ 1006	\$ 1054
24" A x 72" B x 36" C x 24" D	AF5CCS723624LD	66	\$ 976	\$ 1025	\$ 1074
24" A x 72" B x 48" C x 24" D	AF5CCS724824LD	75	\$ 1220	\$ 1281	\$ 1342
<b>Undersized Corner Cove Worksurface, Right Hand — 24"D</b>					
24" A x 60" B x 36" C x 24" D	AF5CCS603624RD	58	\$ 874	\$ 918	\$ 916
24" A x 60" B x 48" C x 24" D	AF5CCS604824RD	67	\$ 958	\$ 1006	\$ 1054
24" A x 72" B x 36" C x 24" D	AF5CCS723624RD	66	\$ 976	\$ 1025	\$ 1074
24" A x 72" B x 48" C x 24" D	AF5CCS724824RD	75	\$ 1220	\$ 1281	\$ 1342
<b>Undersized Corner Cove Worksurface, Left Hand — 30"D</b>					
30" A x 60" B x 48" C x 30" D	AF5CCS604830LD	77	\$ 1028	\$ 1080	\$ 1131
30" A x 72" B x 48" C x 30" D	AF5CCS724830LD	88	\$ 1294	\$ 1359	\$ 1424
<b>Undersized Corner Cove Worksurface, Right Hand — 30"D</b>					
30" A x 60" B x 48" C x 30" D	AF5CCS604830RD	77	\$ 1028	\$ 1080	\$ 1131
30" A x 72" B x 48" C x 30" D	AF5CCS724830RD	88	\$ 1294	\$ 1359	\$ 1424



Left Hand



Right Hand

ALTITUDE

<p><b>How to specify —</b> Select the Model Number from above.</p>	<p><b>1st Option:</b> Laminate or Veneer Type and Finish (if applicable): See page 194 for finishes.</p>	<p><b>2nd Option:</b> Paint (if applicable): See page 194 for finishes.</p>	<p><b>3rd Option:</b> Laminate Edge Color (if applicable): See page 194 for finishes.</p>	<p><b>4th Option:</b> Grommet Location and Type: GC Center P Oval Plastic M Oval Metal GB Grommet LH/RH P Oval Plastic M Oval Metal S Square Metal GO No Grommet</p>
<p>Examples:</p>				

For specification information see page 198.

**Rectangular Laminate Tops – 24"D**

Base Model(s)	Actual Dimensions
AF5RS4824, AVF5RS4824	46"W x 23¼"D
AF5RS5424, AVF5RS5424	52"W x 23¼"D
AF5RS6024D, AVF5RS6024D	58"W x 23¼"D
AF5RS6624D, AVF5RS6624D	64"W x 23¼"D
AF5RS7224D, AVF5RS7224D	70"W x 23¼"D
AF5RS7824D	76"W x 23¼"D
AF5RS8424D	82"W x 23¼"D
AF5RS9024D	88"W x 23¼"D
AF5RS9624D	94"W x 23¼"D

**Rounded Corner Laminate Tops – 24"D**

Base Model(s)	Actual Dimensions
AF5RND4824	46"W x 23¼"D
AF5RND5424	52"W x 23¼"D
AF5RND6024D	58"W x 23¼"D
AF5RND6624D	64"W x 23¼"D
AF5RND7224D	70"W x 23¼"D
AF5RND7824D	76"W x 23¼"D
AF5RND8424D	82"W x 23¼"D
AF5RND9024D	88"W x 23¼"D
AF5RND9624D	94"W x 23¼"D

**Rectangular Laminate Tops – 30"D**

Base Model(s)	Actual Dimensions
AF5RS4830, AVF5RS4830	46"W x 29¼"D
AF5RS5430, AVF5RS5430	52"W x 29¼"D
AF5RS6030D, AVF5RS6030D	58"W x 29¼"D
AF5RS6630D, AVF5RS6630D	64"W x 29¼"D
AF5RS7230D, AVF5RS7230D	70"W x 29¼"D
AF5RS7830D	76"W x 29¼"D
AF5RS8430D	82"W x 29¼"D
AF5RS9030D	88"W x 29¼"D
AF5RS9630D	94"W x 29¼"D

**Rounded Corner Laminate Tops – 30"D**

Base Model(s)	Actual Dimensions
AF5RND4830	46"W x 29¼"D
AF5RND5430	52"W x 29¼"D
AF5RND6030D	58"W x 29¼"D
AF5RND6630D	64"W x 29¼"D
AF5RND7230D	70"W x 29¼"D
AF5RND7830D	76"W x 29¼"D
AF5RND8430D	82"W x 29¼"D
AF5RND9030D	88"W x 29¼"D
AF5RND9630D	94"W x 29¼"D

**Undersized Rectangular Worksurface – 24"D**

Base Model(s)	Actual Dimensions
AF5RS3624U	34"W x 22"D
AF5RS4224U	40"W x 22"D
AF5RS4824U	46"W x 22"D
AF5RS5424U	52"W x 22"D
AF5RS6024UD	58"W x 22"D
AF5RS6624UD	64"W x 22"D
AF5RS7224UD	70"W x 22"D
AF5RS7824UD	76"W x 22"D
AF5RS8424UD	82"W x 22"D
AF5RS9024UD	88"W x 22"D
AF5RS9624UD	94"W x 22"D

**Undersized Rectangular Worksurface – 30"D**

Base Model(s)	Actual Dimensions
AF5RS3630U	34"W x 28"D
AF5RS4230U	40"W x 28"D
AF5RS4830U	46"W x 28"D
AF5RS5430U	52"W x 28"D
AF5RS6030UD	58"W x 28"D
AF5RS6630UD	64"W x 28"D
AF5RS7230UD	70"W x 28"D
AF5RS7830UD	76"W x 28"D
AF5RS8430UD	82"W x 28"D
AF5RS9030UD	88"W x 28"D
AF5RS9630UD	94"W x 28"D

**120 Degree Corner Worksurface – 24"D**

Base Model(s)	Actual Dimensions
AF5120S4224D	22"A x 40"B x 40"C x 22"D
AF5120S4824D	22"A x 46"B x 46"C x 22"D
AF5120S5424D	22"A x 52"B x 52"C x 22"D

**120 Degree Corner Worksurface – 30"D**

Base Model(s)	Actual Dimensions
AF5120S4224D	28"A x 40"B x 40"C x 28"D
AF5120S4824D	28"A x 46"B x 46"C x 28"D
AF5120S5424D	28"A x 52"B x 52"C x 28"D



For specification information see page 198.

**Corner Cove Laminate Tops – 24"D Extended Left**

Base Model(s)	Actual Dimensions
A5822ELS	23¼"A x 58¼"B x 34½"C x 23¼"D
A5622ELS	23¼"A x 58¼"B x 46¼"C x 23¼"D
A5922ELS	23¼"A x 70¼"B x 34½"C x 23¼"D
A7222ELS	23¼"A x 70¼"B x 46¼"C x 23¼"D

**Corner Cove Laminate Tops – 24"D Extended Right**

Base Model(s)	Actual Dimensions
A5822ERS	23¼"A x 58¼"B x 34½"C x 23¼"D
A5622ERS	23¼"A x 58¼"B x 46¼"C x 23¼"D
A5922ERS	23¼"A x 70¼"B x 34½"C x 23¼"D
A7222ERS	23¼"A x 70¼"B x 46¼"C x 23¼"D

**Undersized Corner Cove Worksurface, Left Hand – 24"D**

Base Model(s)	Actual Dimensions
AF5CCS603624LD	22"A x 58"B x 34"C x 22"D
AF5CCS604824LD	22"A x 58"B x 46"C x 22"D
AF5CCS723624LD	22"A x 70"B x 34"C x 22"D
AF6CCS724824LD	22"A x 70"B x 46"C x 22"D

**Undersized Corner Cove Worksurface, Right Hand – 24"D**

Base Model(s)	Actual Dimensions
AF5CCS603624RD	22"A x 58"B x 34"C x 22"D
AF5CCS604824RD	22"A x 58"B x 46"C x 22"D
AF5CCS723624RD	22"A x 70"B x 34"C x 22"D
AF6CCS724824RD	22"A x 70"B x 46"C x 22"D

**Undersized Corner Cove Worksurface, Left Hand – 30"D**

Base Model(s)	Actual Dimensions
AF5CCS604830LD	28"A x 58"B x 46"C x 28"D
AF5CCS724830LD	28"A x 70"B x 46"C x 28"D

**Undersized Corner Cove Worksurface, Right Hand – 30"D**

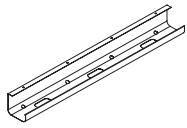
Base Model(s)	Actual Dimensions
AF5CCS604830RD	28"A x 58"B x 46"C x 28"D
AF5CCS724830RD	28"A x 70"B x 46"C x 28"D



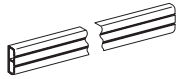
For specification information see page 199.

GSA SIN 33721

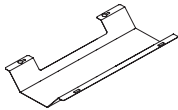
ALTITUDE



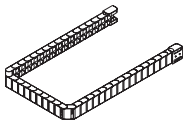
Description	Model	List Price
<b>Cable Management Tray</b>		
24" Tray	CMT24 <input type="checkbox"/>	\$ 112
36" Tray	CMT36 <input type="checkbox"/>	\$ 134



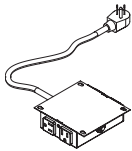
<b>Wire Management Channel (Black only)</b>		
92" Long	AEV920 <input type="checkbox"/>	\$ 208



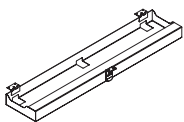
<b>Under Worksurface Trough (Black only)</b>		
17"W — Single Pack	Z617UWTRGH	\$ 95
17"W — Ten Pack	Z61710UWTRGH	\$ 966
36"W — Single Pack	Z636UWTRGH	\$ 167
36"W — Ten Pack	Z63610UWTRGH	\$ 1637



<b>Cord Management Chain (Black Only)</b>		
58"	WKSWMC	\$ 380



<b>Power/Data Modules — Under Worksurface Mount</b>		
4 Power Quad Tap	UNQTMP	\$ 405



Description	Model	List Price		
		P1	P2	P3
<b>Hinged Wire Management Troughs for under Worksurfaces (Black only)</b>				
24"W	UN924HT	\$ 310	\$ 327	\$ 353
36"W	UN936HT	\$ 324	\$ 342	\$ 369
48"W	UN948HT	\$ 342	\$ 361	\$ 390

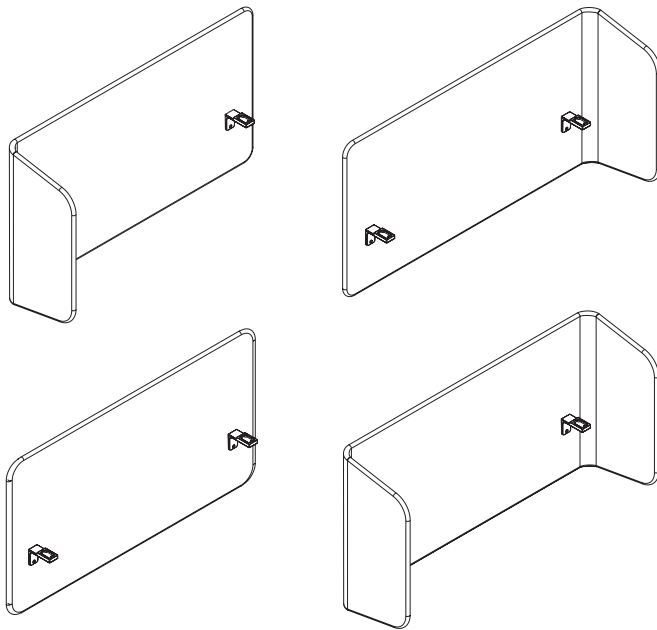
**How to specify —**  
Select the Model Number from above.

**2nd Option:**  
**Paint**  
(if applicable):  
See page 194 for finishes.

Examples: Z617UWTRGH CMT24.P27 AEV920  
UNQTMP.P71 UN924HT.PR6

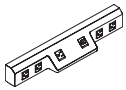
Shippable by small-package carrier.

Screens



- See Table 1 for overall table width and depth for each screen shape.
- Adding a screen adds 3" to depth of the table.
- Adding a screen adds 1" to the width of the table per return wing.
- RH L-screens have return wing on user's right; LH opposite.
- **When using a 24"D worksurface with Altitude screens, you must specify a T-foot.**

Power Module

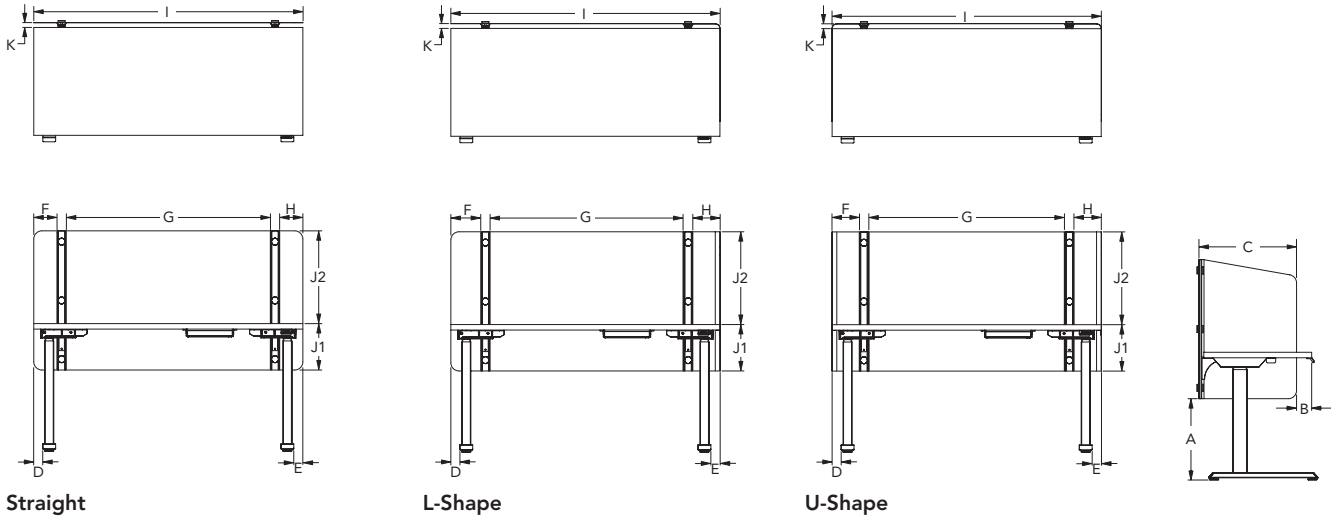


- Contains 5 simplex outlets and 1 dual USB.
- Available in plastic or metal. Metal power module is required for Chicago code.
- Cord options include straight and curly.
  - Straight cord is 144"
  - Curly cord is 120"

Privacy Screens available for Altitude Rectangular Tables

Altitude Table	Involve Laminate End Screen <i>See Casegoods &amp; Storage Price List Page 295</i>	Involve Glass End Screen <i>See Casegoods &amp; Storage Price List Page 295</i>
Rectangular Top		
48"W	36"W	—
54"W	36"W	48"W
60"W	36"W, 42"W, 48"W	—
66"W	36"W, 42"W, 48"W, 54"W, 60"W	36"W, 42"W
72"W	36"W, 42"W, 48"W, 54"W, 60"W	36"W, 42"W, 48"W





ALTITUDE

Size Reference Matrix

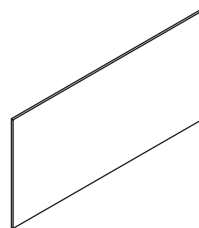
Models	A	B	C1	C2	D	E	F	G1	G2	H	I	J1	J2	K
	Under Desk Height	Wing to Front	Wing Width STD	Wing Width EXT	Left Leg to Edge	Right Leg to Edge	Left Side Panel to Support	Distance Between Supports	Distance Between Center/ Right Support	Right Side Panel to Support	Overall Width	Desktop To Base of Panel	Desktop To Top of Panel	Cable Drop Space
AMS2048LH	24.7	3.3	21.1	24.3	2.0	2.0	5.9	29.7	-	6.4	46.1	2.9	20.0	1.0
AMS2054LH	24.7	3.3	21.1	24.3	2.0	2.0	5.9	35.7	-	6.4	52.1	2.9	20.0	1.0
AMS2060LH	24.7	3.3	21.1	24.3	2.0	2.0	5.9	41.7	-	6.4	58.1	2.9	20.0	1.0
AMS2066LH	24.7	3.3	21.1	24.3	2.0	2.0	5.9	22.8	22.8	6.4	64.1	2.9	20.0	1.0
AMS2072LH	24.7	3.3	21.1	24.3	2.0	2.0	5.9	25.8	25.8	6.4	70.1	2.9	20.0	1.0
AMS2048RH	24.7	3.3	21.1	24.3	2.0	2.0	6.4	29.7	-	5.9	46.1	2.9	20.0	1.0
AMS2054RH	24.7	3.3	21.1	24.3	2.0	2.0	6.4	35.7	-	5.9	52.1	2.9	20.0	1.0
AMS2060RH	24.7	3.3	21.1	24.3	2.0	2.0	6.4	41.7	-	5.9	58.1	2.9	20.0	1.0
AMS2066RH	24.7	3.3	21.1	24.3	2.0	2.0	6.4	22.8	22.8	5.9	64.1	2.9	20.0	1.0
AMS2072RH	24.7	3.3	21.1	24.3	2.0	2.0	6.4	25.8	25.8	5.9	70.1	2.9	20.0	1.0
AMS3248LH	17.5	3.3	21.1	24.3	2.0	2.0	5.9	29.7	-	6.4	46.1	10.0	20.0	1.0
AMS3254LH	17.5	3.3	21.1	24.3	2.0	2.0	5.9	35.7	-	6.4	52.1	10.0	20.0	1.0
AMS3260LH	17.5	3.3	21.1	24.3	2.0	2.0	5.9	41.7	-	6.4	58.1	10.0	20.0	1.0
AMS3266LH	17.5	3.3	21.1	24.3	2.0	2.0	5.9	22.8	22.8	6.4	64.1	10.0	20.0	1.0
AMS3272LH	17.5	3.3	21.1	24.3	2.0	2.0	5.9	25.8	25.8	6.4	70.1	10.0	20.0	1.0
AMS3248RH	17.5	3.3	21.1	24.3	2.0	2.0	6.4	29.7	-	5.9	46.1	10.0	20.0	1.0
AMS3254RH	17.5	3.3	21.1	24.3	2.0	2.0	6.4	35.7	-	5.9	52.1	10.0	20.0	1.0
AMS3260RH	17.5	3.3	21.1	24.3	2.0	2.0	6.4	41.7	-	5.9	58.1	10.0	20.0	1.0
AMS3266RH	17.5	3.3	21.1	24.3	2.0	2.0	6.4	22.8	22.8	5.9	64.1	10.0	20.0	1.0
AMS3272RH	17.5	3.3	21.1	24.3	2.0	2.0	6.4	25.8	25.8	5.9	70.1	10.0	20.0	1.0
AMS2048US	24.7	3.3	21.1	24.3	2.0	2.0	5.9	30.3	-	5.9	46.1	2.9	20.0	1.0
AMS2054US	24.7	3.3	21.1	24.3	2.0	2.0	5.9	36.3	-	5.9	52.1	2.9	20.0	1.0
AMS2060US	24.7	3.3	21.1	24.3	2.0	2.0	5.9	42.3	-	5.9	58.1	2.9	20.0	1.0
AMS2066US	24.7	3.3	21.1	24.3	2.0	2.0	5.9	23.1	23.1	5.9	64.1	2.9	20.0	1.0
AMS2072US	24.7	3.3	21.1	24.3	2.0	2.0	5.9	26.1	26.1	5.9	70.1	2.9	20.0	1.0
AMS3248US	17.5	3.3	21.1	24.3	2.0	2.0	5.9	30.3	-	5.9	46.1	10.0	20.0	1.0
AMS3254US	17.5	3.3	21.1	24.3	2.0	2.0	5.9	36.3	-	5.9	52.1	10.0	20.0	1.0
AMS3260US	17.5	3.3	21.1	24.3	2.0	2.0	5.9	42.3	-	5.9	58.1	10.0	20.0	1.0
AMS3266US	17.5	3.3	21.1	24.3	2.0	2.0	5.9	23.1	23.1	5.9	64.1	10.0	20.0	1.0
AMS3272US	17.5	3.3	21.1	24.3	2.0	2.0	5.9	26.1	26.1	5.9	70.1	10.0	20.0	1.0
AMS2048SS	24.7	-	-	-	2.0	2.0	5.0	32.0	-	5.0	46.0	2.9	20.0	1.0
AMS2054SS	24.7	-	-	-	2.0	2.0	5.0	38.0	-	5.0	52.0	2.9	20.0	1.0
AMS2060SS	24.7	-	-	-	2.0	2.0	5.0	44.0	-	5.0	58.0	2.9	20.0	1.0
AMS2066SS	24.7	-	-	-	2.0	2.0	5.0	24.0	24.0	5.0	64.0	2.9	20.0	1.0
AMS2072SS	24.7	-	-	-	2.0	2.0	5.0	27.0	27.0	5.0	70.0	2.9	20.0	1.0
AMS3248SS	17.5	-	-	-	2.0	2.0	5.0	32.0	-	5.0	46.0	10.0	20.0	1.0
AMS3254SS	17.5	-	-	-	2.0	2.0	5.0	38.0	-	5.0	52.0	10.0	20.0	1.0
AMS3260SS	17.5	-	-	-	2.0	2.0	5.0	44.0	-	5.0	58.0	10.0	20.0	1.0
AMS3266SS	17.5	-	-	-	2.0	2.0	5.0	24.0	24.0	5.0	64.0	10.0	20.0	1.0
AMS3272SS	17.5	-	-	-	2.0	2.0	5.0	27.0	27.0	5.0	70.0	10.0	20.0	1.0

**Altitude — Metal Screens** (page 230)

- Powder coated magnetic metal privacy screen.
- Metal surfaces can be easily disinfected with cleaners. See cleaning guide for more details at AllsteelOffice.com.
- Available in all standard paint colors.
- Provides 1" gap along the back for accessory mount and cord drop.
- Available in 48"W, 54"W, 60"W, 66"W and 72"W.
- 66"W and 72"W screens include 3rd center bracket.
- Available in Straight, L- and U-shape configurations. Above and Above/Below desk applications.
- L- and U-Shape screens are not compatible with shrouded Height Adjustable Table legs.
- Optional tackable accessories specified separately.
- 66"W tackable accessory comes as a set of (2) 24"W.
- 72"W tackable accessory comes as a set of (2) 20"W.
- Available in standard and extended wings.
- Wings mount flush to the edge of the surface with an L-Bracket.
- 20"W tackable accessory must only be applied to both standard and extended wings without accessory slots.
- Wings are available with accessory slots that accept Radii Hot File, Side Saddle and Coat hook.
- Top slot can accept one Radii accessory.
- Bottom slot can accept a Coat hook and one other accessory.
- Accessories can hang on either side of the wing.
- TIP: If the Hot File is used in the top slot, it will block access for accessories in the bottom slot.
- Do not hang more than 5lbs of weight on wings.
- Screens are compatible with Radii undermount storage.
- Not compatible with standard 120-worksurfaces. Contact Allsteel TPG for custom sizes.
- **When using a 24"D worksurface with Altitude screens, you must specify a T-foot.**

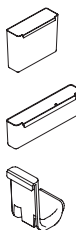
**Size Reference Matrix**

Tackboards	Wing	48"W	54"W	60"W	66"W	72"W
Actual Dimensions	20"W	30"W	36"W	42"W	20"W	24"W
Set of Tackboards	1	1	1	1	2	2



**Accessories — Tackboard** (page 231)

- Tackable accessories come with metal frame available in standard paint colors and fabric options.
- Attach to the screen using a dual lock tape (included in hardware).



**Accessories — Radii** (page 231)

- Wings are available with accessory slots that accept Radii Hot File, Side Saddle and Coat hook.
- Top slot can accept one Radii accessory.
- Bottom slot can accept a Coat hook and one other accessory.
- Accessories can hang on either side of the wing.
- TIP: If the Hot File is used in the top slot, it will block access for accessories in the bottom slot.

**Accessories — Further Worksurface Rail Mount** (page 237)

- Accessory rail must be field cut to fit between the screen brackets.
- The following accessories are not compatible with screens: U9WTC and U9TM.

ALTITUDE

General Overview ..... 214

Power Rail Typical..... 215

Working with Altitude Power Rails..... 216

Low Rail with Floor Legs..... 216

Raised Rail..... 216

Screens ..... 216

Working with Cable Management ..... 217

Working with Power Rail Electricals..... 218

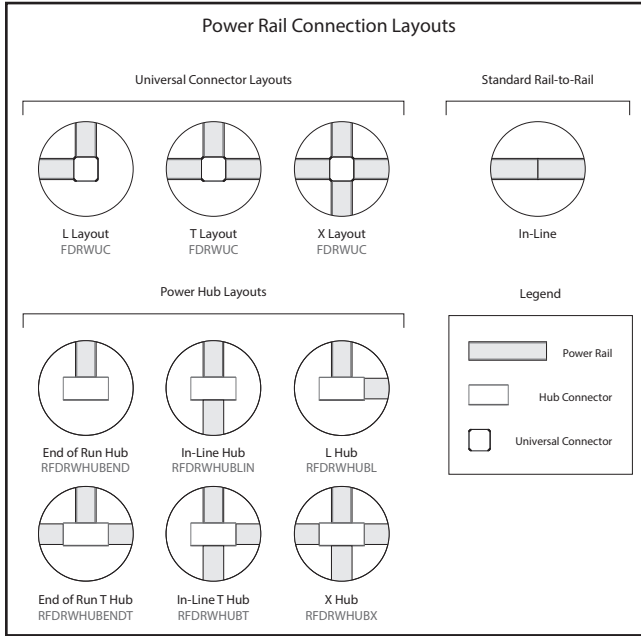
General Notes about Electrical and Circuitry ..... 218

Electrical Infeeds ..... 218

Routing Power ..... 219

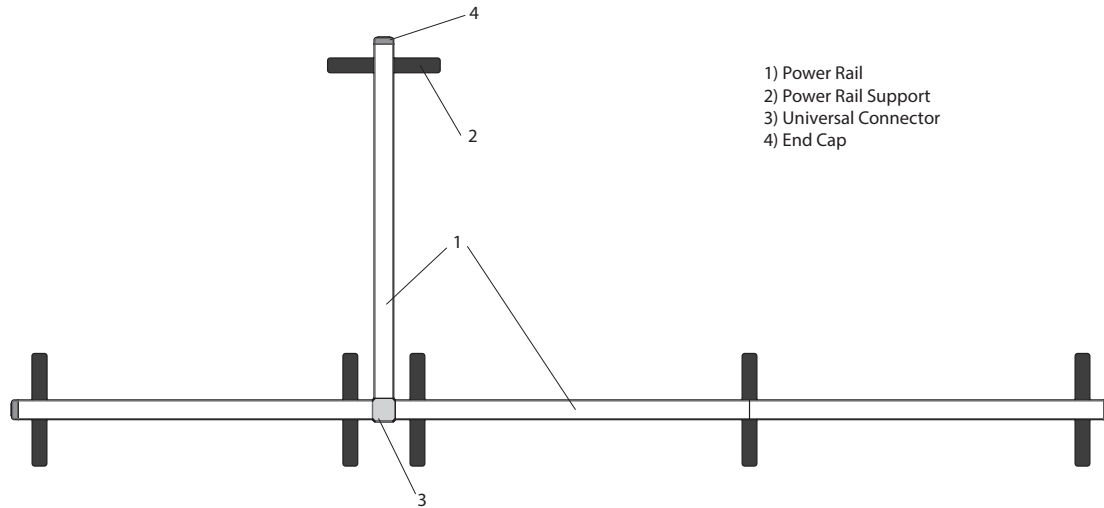


ALTITUDE



**GENERAL OVERVIEW**

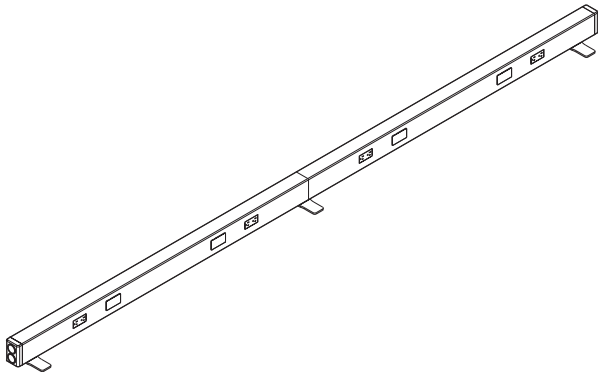
- Accommodates power and lay-in capacity for data cables.
- Available in 48", 54", 60", 66", and 72" lengths.
- Maximum of 2 duplexes and 2 data ports per side of rail.
- Models come equipped with hardware for in-line connections.
- Fiber optic cables can follow 90 degree turns at the intersection of the power rails.
- Power harnesses snap into electrical brackets within the power rail and accept duplex receptacles.
- Electrical power harness accepts up to 2 duplex receptacles per side of rail.
- End caps are required at an end-of-run, unless connected to an end-of-run power pole or a hub.
- Power rail can be set low to the floor using the floor legs or raised off the floor at 20½" H with elevated legs.



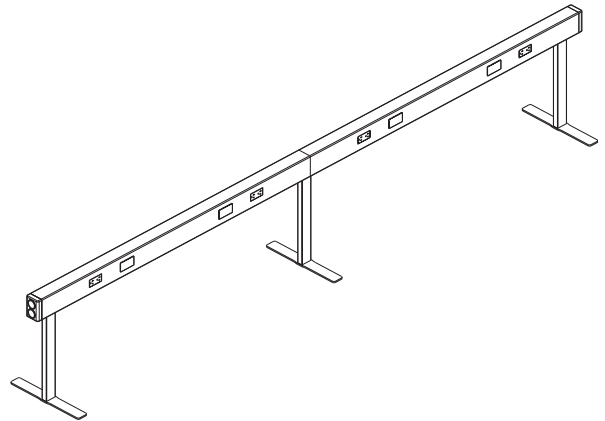
- 1) Power Rail
- 2) Power Rail Support
- 3) Universal Connector
- 4) End Cap



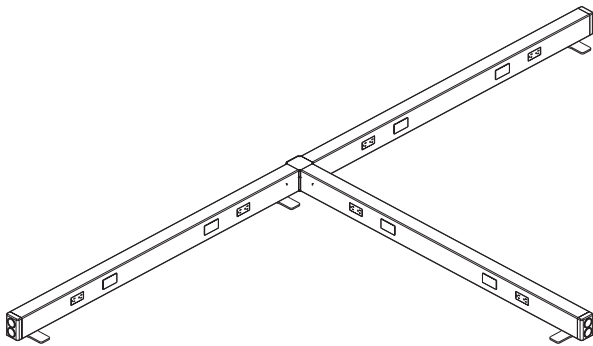
Power Rail Typicals



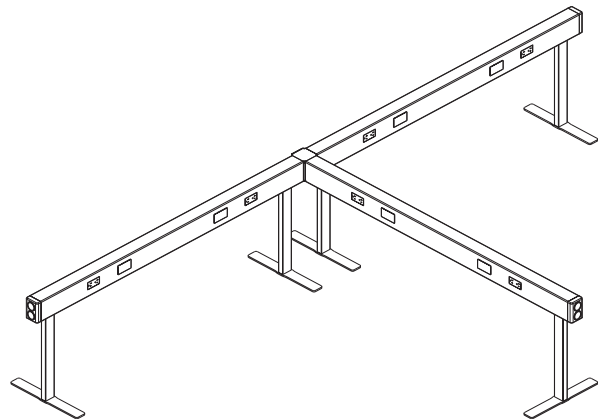
Low Rail, (2) 60"W Rail  
Linear Configuration



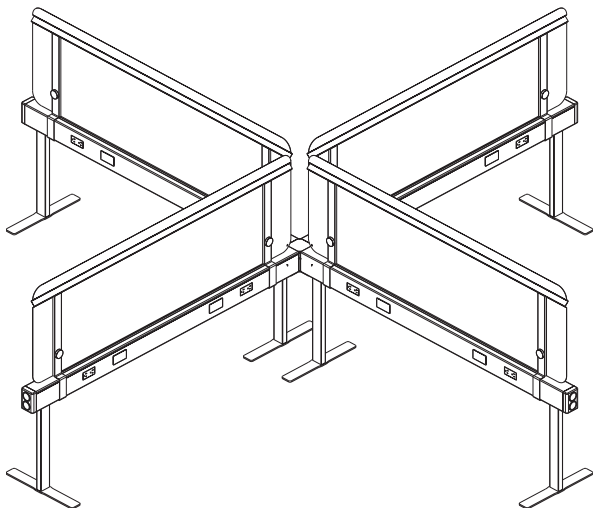
Raised Rail, (2) 60"W Rail  
Linear Configuration



Low Rail, (3) 60"W Rail  
T-Configuration



Raised Rail, (3) 60"W Rail  
T-Configuration



Raised Rail, (4) 60"W Rail  
X-Configuration with Screens

ALTITUDE

## WORKING WITH ALTITUDE POWER RAILS

### Low Rail with Floor Legs:

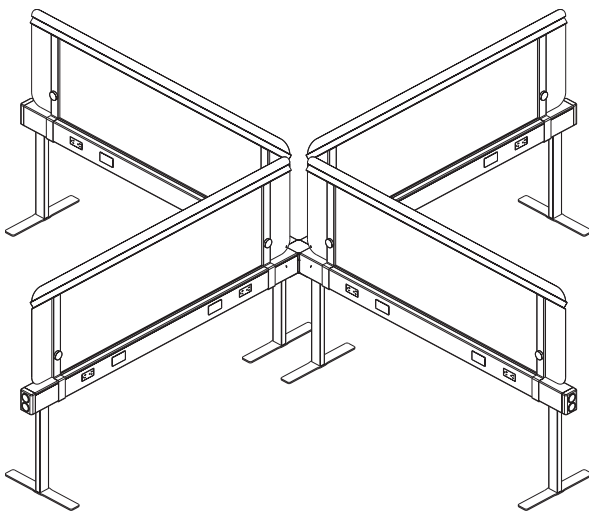
- Each power rail is supported by (2) floor legs.
- Floor legs have a leveling mechanism that can adjust up to 1¼"H.
- Legs are specified separately and come in qty of 1. Each leg is 7¼"D x 2¼"W.
- Leg is inset 2.8" from end of the power rail.
- Universal connector allows "L", "T" and "X" configurations.
- Can connect directly to another power rail in linear applications without use of the universal connector.
- Cannot mount screens on the low rail.
- Power infeed can access the power rail in multiple ways:
  - through a receptacle position on the power rail (side infeed).
  - through the end cap on to the first power block.
  - through power pole using a power pole connector kit.

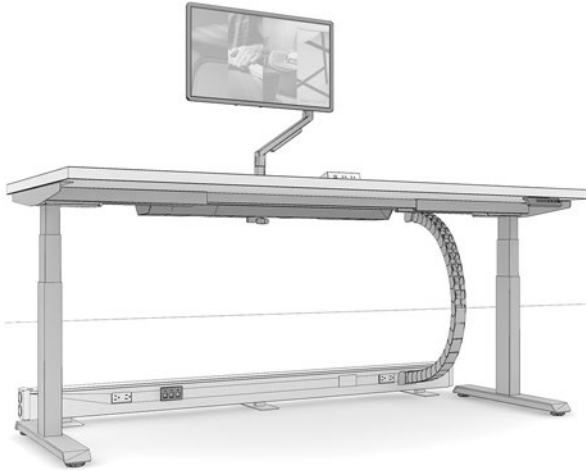
### Raised Rail

- Power rails can be raised up to 20½"H using Elevated Legs and/or Hubs.
- Elevated Legs and Hubs can be used in conjunction to create the desired capability and aesthetic.
- Can be in Linear, L-, T- or X-configurations using Elevated Legs, Hubs or Universal Connector.
- Supports screens. See screens section for more details.
- Elevated Legs
  - Inset 2.8" from end of the power rail.
  - Can be shared in between the two rails in linear configuration.
  - Cannot route power and/or data.
  - Specified separately and come in qty of 1. Foot is included.
  - Leg is 15¼"D x 2¼"W x 17¾"H.
  - Order RFDRAWAB separately to anchor to floor. Appropriate fasteners per floor type sourced locally.
- Support Hubs
  - Connect directly to the power rail.
  - Can be shared in between the two rails.
  - L-, T- and X-hubs can be shared in between power rails.
  - End of Run hub is only specified at end condition.
  - Can route power and/or data.
  - Can integrate power pole. Power Pole connector kit is specified separately and come in qty of 1. Foot is included.

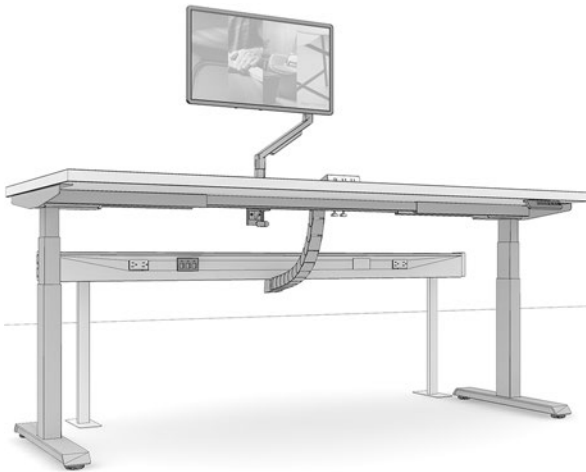
### Screens

- Constructed of painted steel material.
- Standard Allsteel paint options can be applied.
- Screen height is 20"H, provides overall height of 42"H above fixed floor.
- Painted steel is magnetic and cleanable. Refer to cleaning solutions page at Allsteel Office website.
- Attachment hardware included.





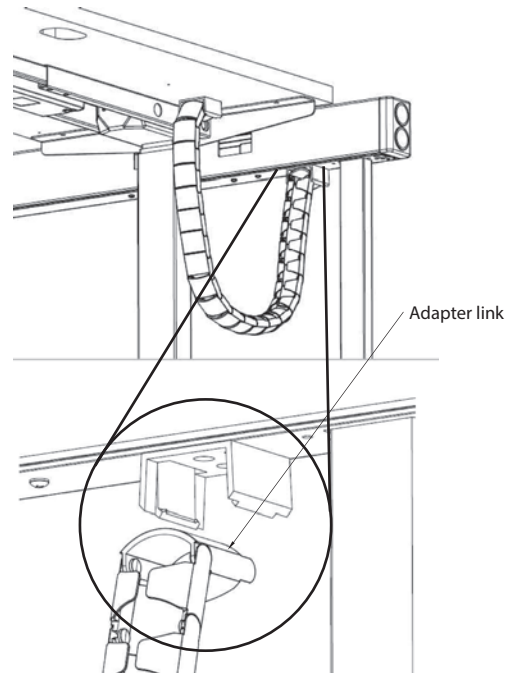
Altitude Desk + 60" W Low Rail + WKSWMC



Altitude Desk + 60" W Raised Rail + A9CLWMC

**WORKING WITH CABLE MANAGEMENT**

- Used to route and conceal power/data cables from control box and other devices. Includes all mounting hardware.
- Houses 6 cables @ 0.300" diameter.
- Specify WKSWMC for 58" chain. Only comes in Black Finish. Recommended for use with Low Rail.
- Specify A9CLWMC for 36" chain. Comes in Black, White and Silver. Recommended for use with Raised Rail.
- Links the power rail to a height adjustable desk.
- Has two connecting points: Top section connects underneath the Height Adjustable Desk and the bottom section connects underneath the power rail using a double-sided tape. Hardware included.
- When mounting the chain to underneath the rail, an adapter link is required. Included in the hardware.



ALTITUDE

## WORKING WITH POWER RAIL ELECTRICALS

### General Notes about Electrical and Circuitry:

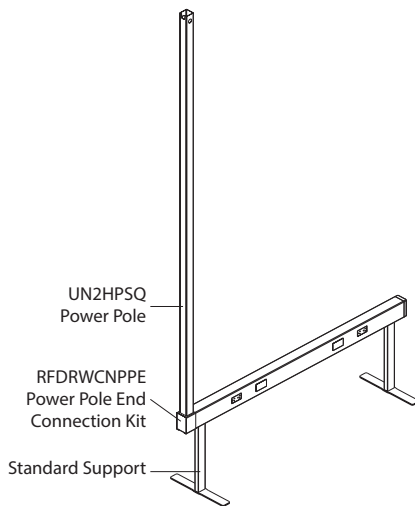
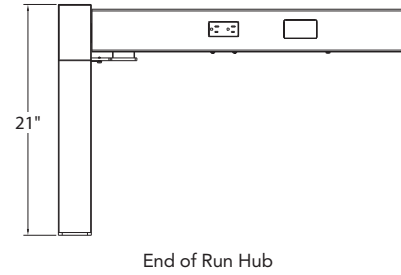
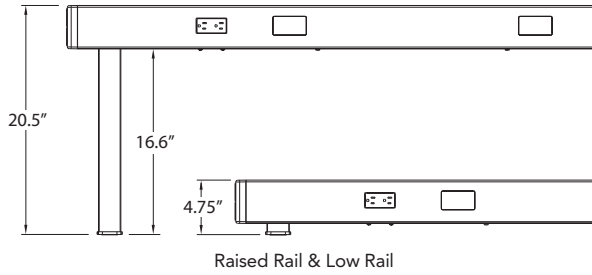
- Power Rail offers a choice of four electrical systems:
  - Four-circuit, 3 + 1
  - Four-circuit, 2 + 2
  - Three-circuit, separate neutrals
  - Eight circuits; two four-circuit systems provided back to back.
  - See Altitude Pricer section “Working with Electrical” for a detailed explanation of each electrical system.
  - All four systems utilize an 8-wire electrical system, rated at 20 amps.
- Per circuit (15 amps Canadian) — 16 amps plannable in U.S.
  - Power Rail and electrical components are UL Listed. Electrical
- Components are also CSA certified.
  - Installation and use of the electrical system, the number of receptacles.
- Used on a given circuit and connections to the building power supply.
- Should follow all local and national electrical codes.

### Electrical Infeeds

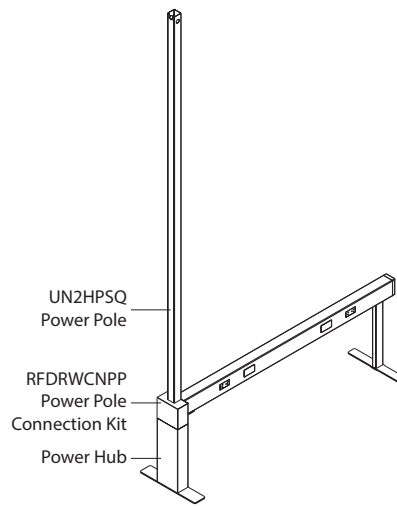
- Power infeed cables deliver power from building to panel's electrical system.
- Infeed cables are housed in conduit to separate electrical system from communications and data lines.
- Select quantity of base or ceiling infeed cables depending on individual power requirements.
- Refer to rail supports for infeed access points.

**Routing Power**

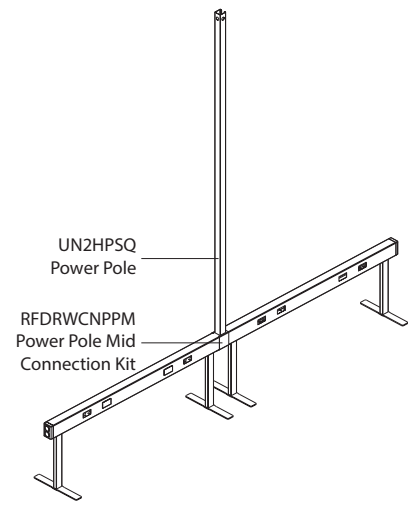
- Power infeed can access the raised power rail in multiple ways:
  - Through power pole using a power pole connector kit.
  - Through Support Hubs.
  - Through the infeed vertebrae.



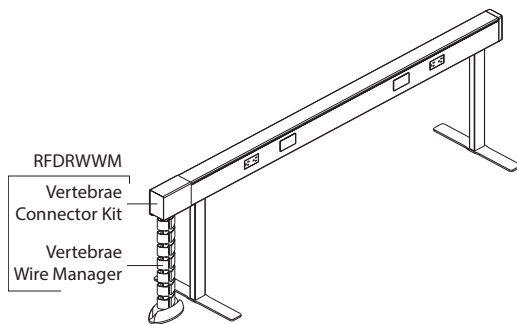
RFDRWCNPPE + UN2HPSQ  
Connected to 60"W Rail



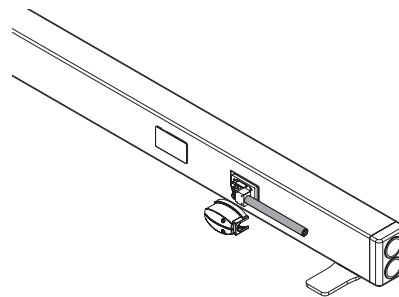
RFDRWHUBEND + RFDRWCNPP  
UN2HPSQ connected to 60"W Rail



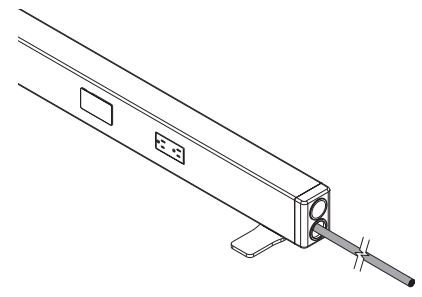
UN2HPSQ + RFDRWCNPPM  
Connected to 60"W Rail



RFDRWWM  
Connected to 60"W Rail



A876072 Infeed  
Connected to 60"W Rail through End Cap



A877012 Infeed  
Connected to 60"W Rail through End Cap

ALTITUDE

**Electrical Systems**

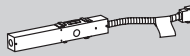
**General Notes about Electric, Circuitry, and Chicago Code:**

- Power Rail offers a choice of four electrical systems:
  - Four-circuit, 3 + 1
  - Four-circuit, 2 + 2
  - Three-circuit, separate neutrals
  - Eight circuits; two four-circuit systems provided back to back.
- See pages 221-222 for a detailed explanation of each electrical system.
- All four systems utilize an 8-wire electrical system, rated at 20 amps per circuit (15 amps Canadian) — 16 amps plannable in U.S.
- Power Rail and electrical components are UL Listed. Electrical components are also CSA certified.
- Installation and use of the electrical system, the number of receptacles used on a given circuit and connections to the building power supply should be in compliance with all local and national electrical codes.

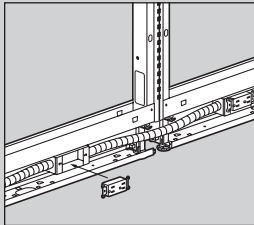
**Caution: Electrical equipment cords or extension cords MUST NOT BE ROUTED through cable openings in frame sides.**

**Note: No more than one conduit that is connected to a harness mounted to horizontal can be routed through the same cut out in the same horizontal at beltline. Attempting to use more will cause binding of conduit and may affect reveals on receptacles.**

**Hardwire New York Code (page 226)**

- Hardwire (New York Code) junction box (model A871400) is used when local electrical codes require hardwire entry. 
- For use in panels 48" W to 72" W.
- Unit must connect to a power harness.
- Customer to furnish all cabling and wiring from power entry to power source.
- Junction box can be positioned at any duplex receptacle location.
- For NY infeed through the end cap:
  - Order 24" pass-thru harness with power block A871124.
  - Will not have power at first cut-out from infeed.
- For NY infeed through a power rail cut-out:
  - Order 48"-72" pass-thru harness with power block. *Harness width must match power rail width.*
  - Will not have power at cut-out location used for infeed.
- For any power rail not used for infeed, order standard electrical power harness.

**Hardwire Chicago Code (page 228)**

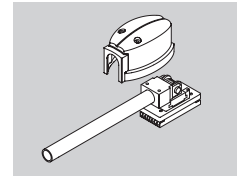
- Wiring harnesses and snap connectors are not allowed in Chicago — base pathways must be comprised of all-metallic components.
- The base pathway, junction box (model 873600) clips directly into receptacle locations and can be used both single- and double-sided.
- Customer must furnish conduit, wiring, and designer-type receptacles for the base pathway and conduit, wiring, designer-type receptacles, and receptacle covers for the beltline.
- Power entry can be routed from the floor into a junction box (model 873600). 

**Electrical Infeeds**

- Power infeed cables deliver power from building to panel's electrical system.
- Infeed cables are housed in conduit to separate electrical system from communications and data lines.
- Select quantity of base or ceiling infeed cables depending on individual power requirements.

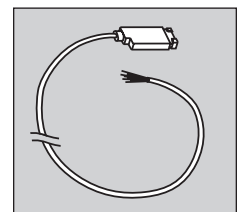
**Base Infeed (page 227)**

- Sealtight base pathway power infeed mounts into any receptacle position in the base pathway area.
- A heavy rubber sheathing shields conduit, allowing infeed to be exposed.
- A jumper is required to connect base pathway power to beltline.



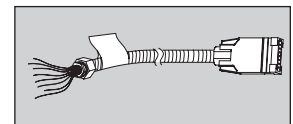
**Sealtight Electrical Infeed (page 227)**

- Sealtight electrical infeed cable is used with footed panels.
- Should not be ordered prior to installation to have pre-wired as infeed must be routed from inside of panel out to be connected to power.
- Cannot be connected to power harness in panel frame that infeed is brought into unless additional pass-thru harness without power block is used to feed from below beltline to above beltline.



**Power Infeed (page 227)**

- Power infeed connects to a prewired electrical harness in the power rail.
- Most codes allow flex conduit to be exposed after installation. Verify code requirements before ordering for exposed application.



**To Order:**

- Determine which electrical system you will use after consulting your electrician and computer support personnel:
  - The Four-circuit system (4-Hot/2-Neutral/2-Ground)
    - 3 + 1 option
    - 2 + 2 option
  - The three-circuit system (3-Hot/3-Neutral/2-Ground)
  - The eight-circuit system (back-to-back four-circuit systems)
- Determine location, quantity, and circuit of duplexes.
- Determine the appropriate choice and use of isolated, isolated/dedicated, and separate neutrals circuits.
- Specify appropriate power harnesses\* and pass-thru cables.\*
- Determine the location, quantity, and type of power infeed needed.

\* Select power harness models (A8712XX), with the last two digits corresponding with the panel width into which the component is to be positioned.  
The initial cable length can be stretched approximately 3" to transverse "T", "X", "L", and extended straight connectors.

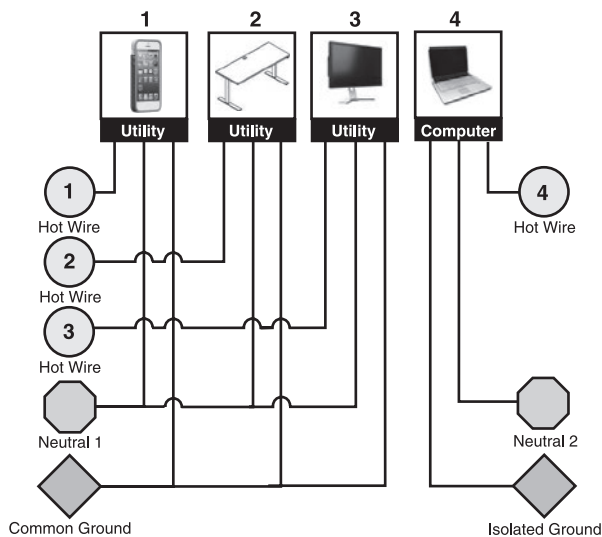
**Flexconnect™ Electrical System Options**

The four-circuit, eight-wire electrical system is widely specified and trusted by hundreds of thousands of end-users. This proven system delivers four circuits for every power infeed in either a 3 + 1 or 2 + 2 configuration. The isolated/dedicated circuits are ideal for sensitive computing equipment, while the common circuits are suitable for faxes, copiers, task lights and other peripherals. Both the 3 + 1 and 2 + 2 systems use the same pre-wired components, making it easy to adjust as electrical needs change.

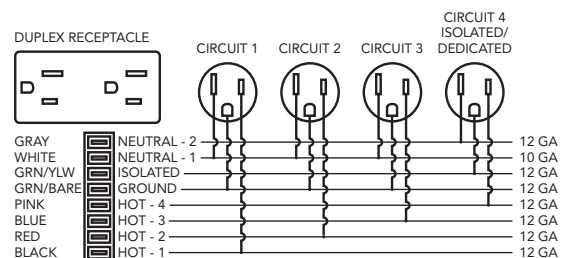
You can also choose a three-circuit, eight-wire system that has a dedicated neutral for every hot circuit. The three-circuit components have model numbers with an "A" suffix and appear in a gray box in this price.

All three systems utilize an eight-wire electrical system rated at 20 amps per circuit (15 amps Canadian). Concensys panels and electrical components are UL listed and CSA certified.

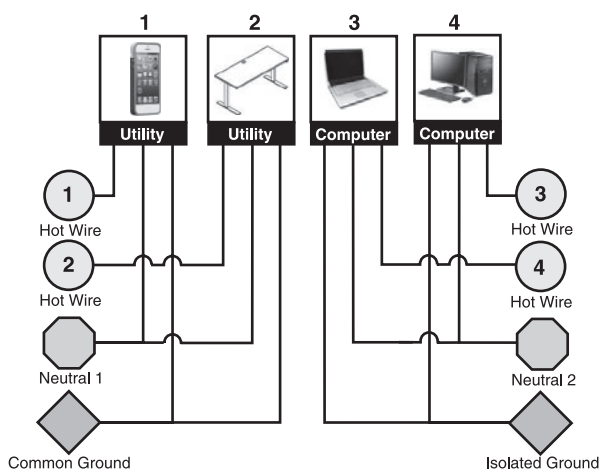
**Four-circuit, 3 + 1 Receptacle Option**



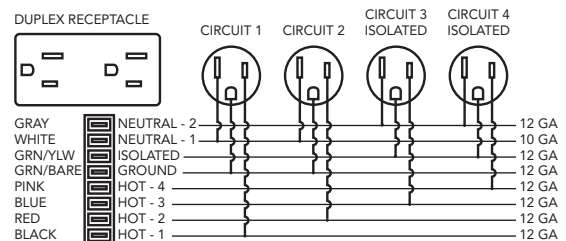
The 3 + 1 option is the electrical standard used on Allsteel systems for many years in most installations. This wiring option provides three utility circuits plus an isolated/dedicated circuit for more sensitive equipment. Circuit 2 (one of the 3 common circuits sharing a neutral wire) cannot be used with single-phase building electrical supply.



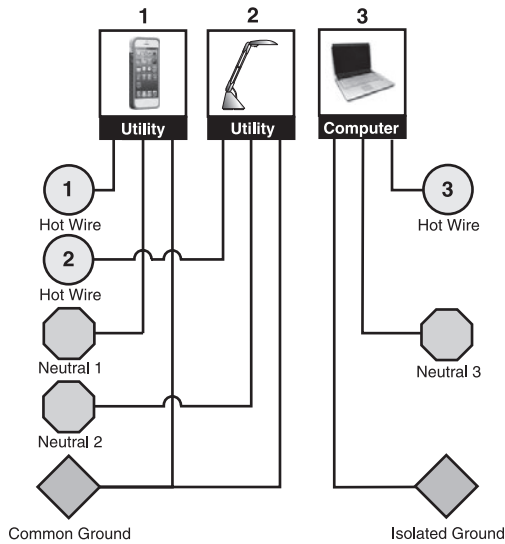
**Four-circuit, 2 + 2 Receptacle Option**



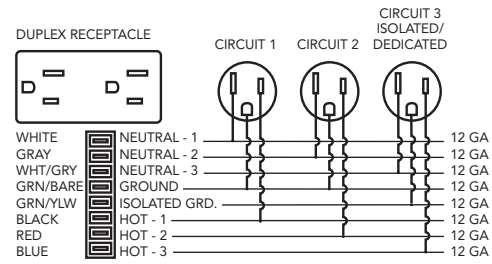
The 2 + 2 option is a wiring option that provides two utility circuits and two isolated circuits for more extensive computer usage applications.



Three-circuit, separate neutrals



The three-circuit, separate neutrals configuration is a wiring option that provides separate neutrals for each of the three circuits. Two circuits share a common ground, and one circuit is isolated/dedicated. The three-circuit components have model numbers with an "A" suffix.



Altitude System Receptacle Usage					
Two 8-wire, 20 amp (15 amp Canadian) electrical systems are offered					
Electrical System	Circuitry	Receptacle Capacity			
Four-circuit 4-Hot/2-Neutral/2-Ground	3 + 1	Common Circuit-1 A873501	Common Circuit-2 <sup>(1)</sup> A873502	Common C ircuit-3 A873503	Iso/Dedicated Circuit-4 A873504
	2 + 2	Common Circuit-1 A873501	Common Cir- cuit-2 A873502	Isolated Circuit-3 A873506	Isolated Circuit-4 A873504
Three-circuit 3-Hot/3-Neutral/2-Ground	w/separate neutrals	Common Circuit-1 A871501A	Common Circuit-2 A871502A	Iso/Dedicated Circuit-3 A871503A	N/A

(1) Circuit 2 (one of the 3 common circuits sharing a neutral wire) cannot be used with a single-phase building electrical supply.

Notes:

- Four-circuit components and three-circuit components (with suffix "A") cannot be used together.
- Components of the two systems are keyed differently to prevent components of one system being connected to components of another system.
- Allsteel model numbers are printed on the UL labels, and components are color-coded to provide visual identification of the different components.
- Four-circuit components have black plastic parts.
- Three-circuit components have rust-colored terminal ends and receptacle backs are rust-colored.

Duplex Receptacle

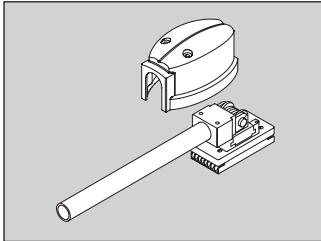


15 amp receptacle



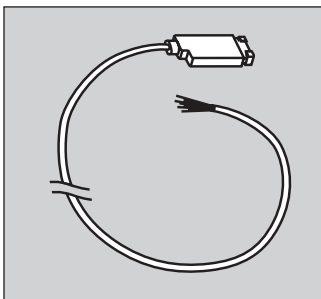
### Infeeds

- Power infeed cables deliver power from building to Power Rail's electrical system.
- Infeed cables are housed in conduit to separate electrical system from communications and data lines.
- Select quantity of infeed cables depending on individual power requirements.



### Base Infeed:

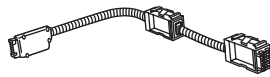
- Sealtight base pathway power infeed mounts into any receptacle position in the power rail housing.
- A heavy rubber sheathing shields conduit, allowing infeed to be exposed.



### Sealtight Electrical Infeed:

- Sealtight electrical infeed is used for power entering through the end cap.
- Should not be ordered prior to installation to have pre-wired as infeed must be routed from inside of the power rail out to be connected to power.

### Power Harness



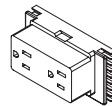
**Electrical power harnesses** are used to distribute power in the power rail. **Power blocks** on electrical power harness accept duplex receptacles.

- Electrical power harnesses are used to distribute power in Power Rails. Harnesses must be installed in each power rail housing.
- Specify harness length to match rail housing length. Each power harness accepts four duplex receptacles (two on each side of power rail housing).
- Connectors at both ends of power harnesses allow power distribution in either direction.
- Harness power blocks snap directly onto brackets in power rail housing.

### Power Blocks

- Power blocks snap directly onto brackets in the power rail and accept receptacles (sold separately) on each side of harness.

### Duplexes



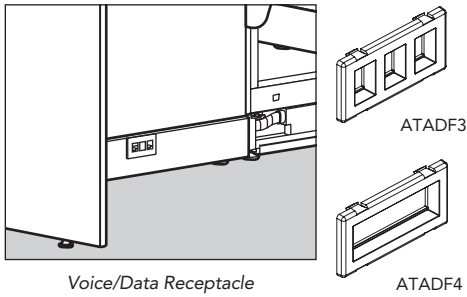
Duplex Receptacles

### Receptacle Color Recommended to Coordinate with Paint Color

Paint Color	Receptacle Color
Bungalow — P7C .....	Muslin — EU
Champagne Metallic — PR5 .....	Muslin — EU
Cinder — P7Q .....	Brownstone — EY
Fossil — P28 .....	Flint — E9
Gunmetal Metallic — PR3 .....	Brownstone — EY
Parchment — P93 .....	Muslin — EU
Pebble — P8R .....	Loft — EV
Pewter — P8D .....	Flint — E9
Platinum — PR2 .....	Loft — EV
Platinum Metallic — P42 .....	Silver — E5
Salt — P8C .....	Silver — E5
Titanium — P8T .....	Silver — E5

- Duplex receptacles snap into power blocks of power harnesses.
- Duplexes are available in multiple colors. See inside front cover for finishes.
- Each receptacle is labeled to indicate which circuit it will be connected to: 1, 2, 3 or 4.
- Duplexes are model specific to support either 3 + 1 and 2 + 2 electrical infeed; or have an "A" suffix and are designed to support a three-circuit separate neutral electrical infeed.
- At least one duplex must be installed in upper housing side of rail housing assembly (see page 225, "Working with Electrical and Data").

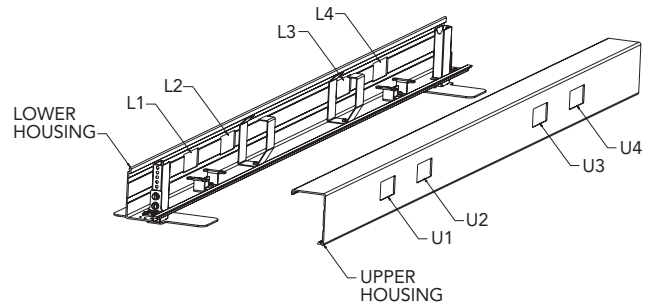
### Data



Voice/Data Receptacle

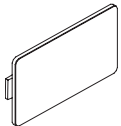
#### Data Faceplates:

- Fit into data port openings in Power Rail Housing.
- Due to rail housing depth, data modules should not be used back-to-back.



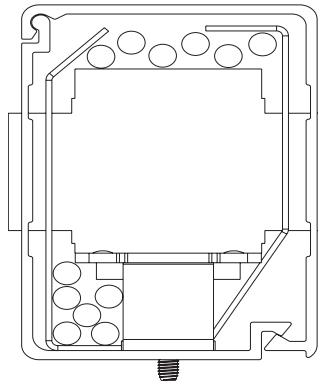
- Ports 1 and 4 accept duplexes, port covers and base infeeds.
- Ports 2 and 3 accept data and port covers.
- Either U1 or U4 must always contain a duplex.
- Data cannot be back-to-back (data in L2 + U2 or L3 + U3 combinations are not permitted).

### Port Cover



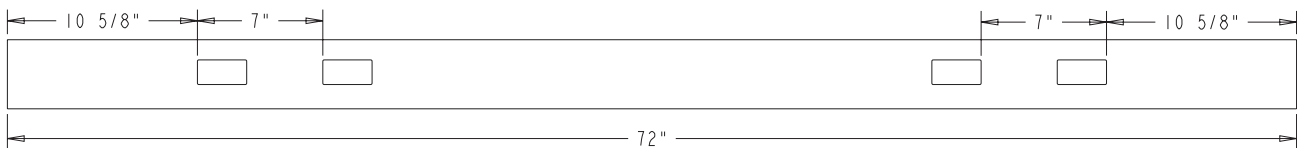
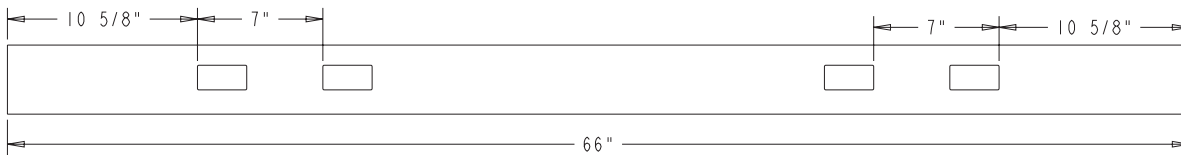
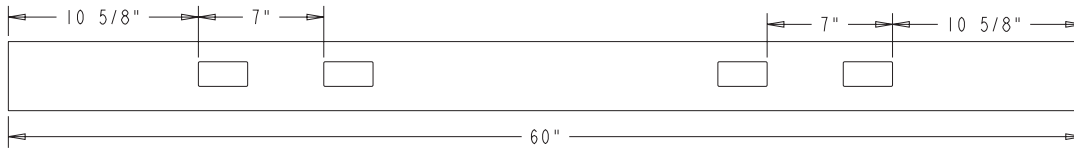
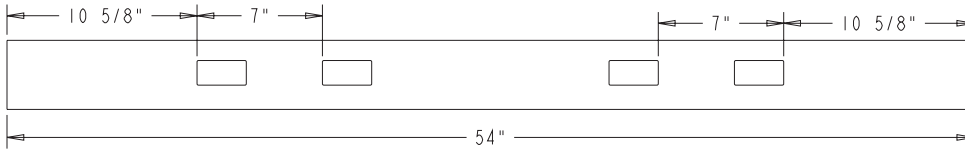
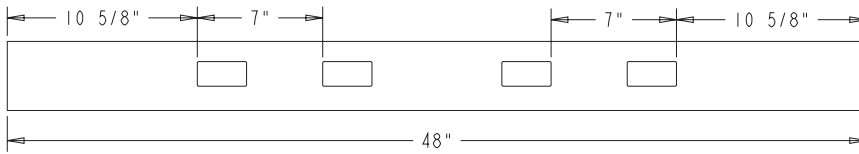
- Port covers must be used where no duplex or data faceplate is present.
- Fits into Power Rail port locations in place of duplex receptacles and data faceplates.
- Does not fit into port sizes of other product lines.

### Cable Capacity



- The power rail housing allows continuous voice and data lines to run without interruption.
- Lay-in is provided for environments where systems furniture or cabling are subject to frequent change.
- Lower cavity allows 6 voice/data cables (1/4" dia).
- Upper cavity lay-in allows 6 voice/data cables (1/4" dia).

## Power Rail Receptacle Locations

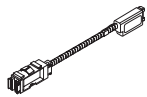
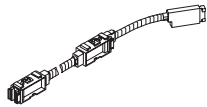


- For example, in a four-circuit system:
  - Circuit 1 — calculators, fans, etc.
  - Circuit 2 — task lights (could be wired to wall switch)
  - Circuit 3 — CRT or flat screen monitors
  - Circuit 4 — CPUs
- Use circuit 4 for power-sensitive electronic equipment.

**Placement of pedestals and lateral files** may render some duplex locations inaccessible. Pedestal placement may also affect compatibility with pull-up receptacles.

For specification information see page 223.

GSA SIN 33721



Description	Max. Recept. Cap. per Panel Side	Four-circuit 3 + 1 2 + 2	Three-circuit Separate Neutrals	List Price
<b>Electrical Power Harnesses</b>				
For 48" W Frames	2	A871248*	A871248A [S]	\$ 369
For 54" W Frames	2	A871254*	A871254A [S]	\$ 362
For 60" W Frames	2	A871260*	A871260A [S]	\$ 369
For 66" W Frames	2	A871266*	A871266A [S]	\$ 362
For 72" W Frames	2	A871272*	A871272A [S]	\$ 370

**Note:** Four-circuit components and Three-circuit components (with an "A" suffix) cannot be connected together.

**Electrical Pass-Thru Harnesses with Power Block**

For 24" W Frames**	1	A871124	A871124A [S]	\$ 212
For 48" W Frames†	1	A871148*	A871148A [S]	\$ 226
For 60" W Frames†	1	A871160*	A871160A [S]	\$ 226
For 72" W Frames†	1	A871172	A871172A [S]	\$ 303

\*Electrical harnesses are intended for use with Allsteel systems furniture and are approved under GSA SIN 33721. When purchased separately and used without Allsteel systems furniture, those electrical harnesses marked by (\*) are considered Open Market.

\*\*Only used with NY Infeed through End Cap.

†48"-72" are only used with NY infeed through power rail cut-out.

Description	Model	List Price
<b>Altitude Power Rail — NY End Infeed</b>		
4 Circuit	FDNYE4CIRK	\$ 586
3 Circuit	FDNYE3CIRK	\$ 586
<b>Altitude Power Rail — NY Middle Infeed</b>		
4 Circuit	FDNYM4CIRK48K	\$ 598
4 Circuit	FDNYM4CIRK54K	\$ 598
4 Circuit	FDNYM4CIRK60K	\$ 598
4 Circuit	FDNYM4CIRK66K	\$ 674
4 Circuit	FDNYM4CIRK72K	\$ 674
3 Circuit	FDNYM3CIRK48K	\$ 598
3 Circuit	FDNYM3CIRK54K	\$ 598
3 Circuit	FDNYM3CIRK60K	\$ 598
3 Circuit	FDNYM3CIRK66K	\$ 674
3 Circuit	FDNYM3CIRK72K	\$ 674

**How to specify —**  
Select the Model Number from above.

*1st Option:*

**Color:**

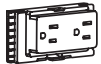
P Black

Examples: A871248.P A871224.P A871224A.P A871124.P  
A8710144A.P A2-8CIR36.P

[S] Shippable by small-package carrier.

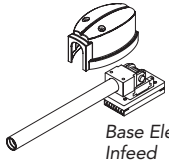
For specification information see page 223.

GSA SIN 33721



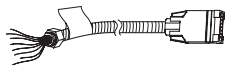
Duplex Receptacle

Description	Four-circuit 3 + 1 2 + 2	Three-circuit Separate Neutrals		List Price
<b>Duplex Receptacles for Beltline or Base Pathway — Altitude (specify color)</b>				
Circuit 1	A873501	A871501A	S	\$ 63
Circuit 2	A873502	A871502A	S	\$ 63
Circuit 3 (3+1)	A873503	A871503A	S	\$ 63
Circuit 3 (2+2)	A873506	N/A	S	\$ 63
Circuit 4 — iso/dedicated	A873504	N/A	S	\$ 63
Circuit 1, 20 AMP	A871601	A871601A	S	\$ 63



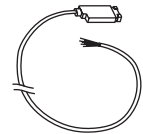
Base Electrical Infeed

<b>Base Electrical Infeed Cable</b>				
6' Sealtight Cable for Terrace Receptacle	A876072	A8716072A	S	\$ 390
6' Flex Cable	A871972	A871972A	S	\$ 294



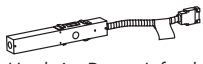
Ceiling Electrical Infeed

<b>Ceiling Electrical Infeed Cables</b>				
12' Flex Cable	A871912	A871912A	S	\$ 399
18' Flex Cable	A871918	A871918A	S	\$ 502



Electrical Infeed Cable

<b>Electrical Infeed Cables (for use with footed panels)</b>				
12' Sealtight Cable Power Infeed	A877012	N/A	S	\$ 487



Hardwire Power Infeed

<b>Hardwire Power Infeed (New York Code)</b>				
For 48"-72" W rails	A871400	A871400A	S	\$ 383

**Note:** Four-circuit components and Three-circuit components (with an "A" suffix) cannot be connected together.

ALTITUDE

<p><b>How to specify —</b> Select the Model Number from above.</p> <p>_____ .</p>	<p><i>1st Option:</i> <b>Electrical Receptacle</b> <b>Color (if applicable):</b> See page 194 for finishes.</p> <p><b>E   S</b></p>
---	---

Example: A873501.E4

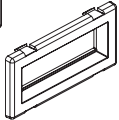
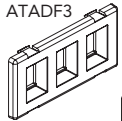
For specification information see page 223.

GSA SIN 33721



Description	Model	List Price
<b>Hardwire (Chicago Code)</b> (Black only)		
Altitude Base Pathway Junction Box (Pack of 6)	873600	\$ 1019

For specification information see page 224.

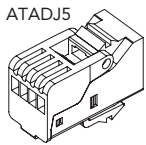


Description	Model	P1 Paint List Price
<b>Data Faceplates</b>		
Three-Port Flex-Mode Faceplate, Black (E4)	ATADF3	\$ 36
Four-Port Flex-Mode Faceplate, Black (E4)	ATADF4	\$ 36

**Notes:** ATADF3 can install up to 3 jacks (CAT 3, 5E, or 6). ATADF4 can install 4 jacks (CAT 3, 5E, or 6).

ATADF models are compatible with ports in Altitude tiles.

Allsteel's data faceplates are designed for use with the jacks listed below. We do not guarantee compatibility with other manufacturers' product. A faceplate adapter is available for use with alternatively sourced data jacks, see the Standard Specials catalog for details.



Description	Model	List Price
<b>Jacks</b>		
RJ45 CAT 5E Jack — Black only		
Toolless	ATADJ5	\$ 65
RJ45 CAT 6 Jack — Black only		
Requires Tool	ATADJ6	\$ 87

**How to specify —**

Select the Model Number from above.

--	--	--	--	--	--	--	--	--	--	--	--	--	--	--	--

Example: 873600

**How to specify —**

Select the Model Number from above.

1st Option:

**Data Faceplate Color:**

E4 Black

A	T	A	D												
---	---	---	---	--	--	--	--	--	--	--	--	--	--	--	--

E	4
---	---

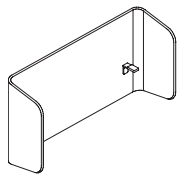
Example: ATADF4.E4

Shippable by small-package carrier.

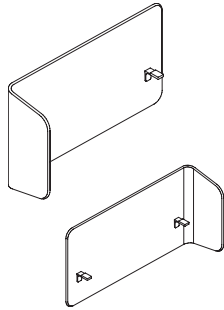
ALTITUDE

For specification information see page 209.  
(See page 261 for COM pricing on fabric grades G-J.)

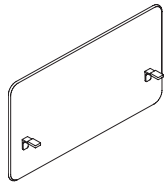
Open Market



Description	Model	Old Model Numbers	Ship Weight	Cubes	List Price	
					A	D
<b>U Screen Kit</b>						
48"	FDSC48U	FDSCU48K	30.0	16.6	\$ 1809	\$ 1920
54"	FDSC54U	FDSCU54K	31.0	18.6	\$ 1871	\$ 1986
60"	FDSC60U (shown)	FDSCU60K	32.0	20.6	\$ 1926	\$ 2045
66"	FDSC66U	FDSCU66K	33.0	22.6	\$ 2039	\$ 2166
72"	FDSC72U	FDSCU72K	34.0	24.6	\$ 2193	\$ 2330



<b>L Screen Kit</b>						
Left Hand 48"	FDSC48LL	FDSC48LK	26.5	16.6	\$ 1177	\$ 1241
Right Hand 48"	FDSC48LR	FDSC48RK	26.5	16.6	\$ 1177	\$ 1241
Left Hand 54"	FDSC54LL	FDSC54LK	27.5	18.6	\$ 1378	\$ 1455
Right Hand 54"	FDSC54LR	FDSC54RK	27.5	18.6	\$ 1378	\$ 1455
Left Hand 60"	FDSC60LL (shown)	FDSC60LK	28.5	20.6	\$ 1441	\$ 1523
Right Hand 60"	FDSC60LR (shown)	FDSC60RK	28.5	20.6	\$ 1441	\$ 1523
Left Hand 66"	FDSC66LL	FDSC66LK	29.5	22.6	\$ 1716	\$ 1821
Right Hand 66"	FDSC66LR	FDSC66RK	29.5	22.6	\$ 1716	\$ 1821
Left Hand 72"	FDSC72LL	FDSC72LK	30.5	24.6	\$ 1807	\$ 1918
Right Hand 72"	FDSC72LR	FDSC72RK	30.5	24.6	\$ 1807	\$ 1918



<b>Rectangular Screen Kit</b>						
48"	FDSC48R	FDSCR48K	23.0	3.7	\$ 1138	\$ 1200
54"	FDSC54R	FDSCR54K	24.0	4.1	\$ 1166	\$ 1230
60"	FDSC60R (shown)	FDSCR60K	25.0	4.6	\$ 1253	\$ 1322
66"	FDSC66R	FDSCR66K	26.0	5.0	\$ 1439	\$ 1525
72"	FDSC72R	FDSCR72K	27.0	5.6	\$ 1532	\$ 1624

Note: Installation brackets are now attached to the screen from the factory.

ALTITUDE

<p><b>How to specify —</b> Select the Model Number from above.</p>	<p><b>1st Option:</b> Select the Screen Fabric: See page 195 for selections and color codes.</p>	<p><b>2nd Option:</b> Select the Screen Bracket Paint: P1 P2 See page 194 for selections and color codes.* P2 (\$13 extra)</p>
--	--	--

Examples: FDSCU48K.PCAMBLT40.P71    FDSC48LK.PCAMBLT70.P71    FDSCR48K.PCAMBLT39.P71

For specification information see pages 210-211.

GSA SIN 33721

		Description	Model	P1 Paint List Price	P2 Paint Upcharge	P3 Paint Upcharge
<b>20"H Metal L-Screen</b>						
	Extended Slots	48"W	AMS2048LH	\$ 764	\$ 793	\$ 822
		54"W	AMS2054LH	\$ 831	\$ 862	\$ 894
		60"W	AMS2060LH	\$ 930	\$ 965	\$ 1000
		66"W	AMS2066LH	\$ 1017	\$ 1055	\$ 1094
		72"W	AMS2072LH	\$ 1064	\$ 1104	\$ 1144
<b>30"H Metal L-Screen</b>						
	Extended Slots	48"W	AMS3248LH	\$ 991	\$ 1028	\$ 1066
		54"W	AMS3254LH	\$ 1050	\$ 1090	\$ 1129
		60"W	AMS3260LH	\$ 1097	\$ 1138	\$ 1180
		66"W	AMS3266LH	\$ 1203	\$ 1248	\$ 1294
		72"W	AMS3272LH	\$ 1250	\$ 1297	\$ 1344
<b>20"H Metal U-Screen</b>						
	Extended Slots	48"W	AMS2048US (shown)	\$ 996	\$ 1034	\$ 1071
		54"W	AMS2054US	\$ 1050	\$ 1090	\$ 1129
		60"W	AMS2060US	\$ 1097	\$ 1138	\$ 1180
		66"W	AMS2066US	\$ 1203	\$ 1248	\$ 1294
		72"W	AMS2072US	\$ 1263	\$ 1311	\$ 1358
<b>30"H Metal U-Screen</b>						
	Extended Slots	48"W	AMS3248US (shown)	\$ 1196	\$ 1241	\$ 1286
		54"W	AMS3254US	\$ 1260	\$ 1307	\$ 1355
		60"W	AMS3260US	\$ 1316	\$ 1366	\$ 1415
		66"W	AMS3266US	\$ 1444	\$ 1498	\$ 1553
		72"W	AMS3272US	\$ 1516	\$ 1573	\$ 1630

<b>How to specify —</b> Select the Model Number from above.	<b>1st Option:</b> <b>Wing Type :</b> STD Standard EXT Extended	<b>2nd Option:</b> <b>Accessories Slots:</b> X No Accessory Cut Out SLT Accessory Cut Out	<b>3rd Option:</b> <b>Paint Option:</b> P1 P2 P3 See page 194 for finishes.	<b>4th Option:</b> <b>Paint Option:</b> NA Screen
	_____ .	_____ .	_____ .	P     .

Examples: AMS2048LH.STD.SLT.PR6.NA    AMS2048SS.PR6.NA

Shippable by small-package carrier.

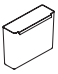
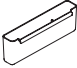



For specification information see pages 210-211.

GSA SIN 33721

Description	Model	P1 Paint List Price	P2 Paint Upcharge	P3 Paint Upcharge
<b>20"H Metal Rectangular Screen</b>				
48"W	AMS2048SS (shown)	\$ 651	\$ 676	\$ 700
54"W	AMS2054SS	\$ 684	\$ 710	\$ 736
60"W	AMS2060SS	\$ 730	\$ 758	\$ 785
66"W	AMS2066SS	\$ 831	\$ 862	\$ 894
72"W	AMS2072SS	\$ 897	\$ 931	\$ 965
<b>30"H Metal Rectangular Screen</b>				
48"W	AMS3248SS (shown)	\$ 798	\$ 828	\$ 858
54"W	AMS3254SS	\$ 831	\$ 862	\$ 894
60"W	AMS3260SS	\$ 884	\$ 917	\$ 951
66"W	AMS3266SS	\$ 996	\$ 1034	\$ 1071
72"W	AMS3272SS	\$ 1050	\$ 1090	\$ 1129
<b>15"H Tackboard Accessories</b>				
20"W	AAS1520 <span style="border: 1px solid black; padding: 0 2px;">S</span>	\$ 283	\$ 294	\$ 304
48"W	AAS1548 <span style="border: 1px solid black; padding: 0 2px;">S</span> (shown)	\$ 336	\$ 349	\$ 361
54"W	AAS1554 <span style="border: 1px solid black; padding: 0 2px;">S</span>	\$ 372	\$ 386	\$ 400
60"W	AAS1560 <span style="border: 1px solid black; padding: 0 2px;">S</span>	\$ 388	\$ 403	\$ 417
66"W	AAS1566 <span style="border: 1px solid black; padding: 0 2px;">S</span>	\$ 566	\$ 587	\$ 609
72"W	AAS1572 <span style="border: 1px solid black; padding: 0 2px;">S</span>	\$ 619	\$ 642	\$ 666

<p><b>How to specify —</b> Select the Model Number from above.</p>	<p><b>1st Option:</b> <b>Wing Type :</b> STD Standard EXT Extended</p>	<p><b>2nd Option:</b> <b>Accessories Slots:</b> X No Accessory Cut Out SLT Accessory Cut Out</p>	<p><b>3rd Option:</b> <b>Paint Option:</b> <span style="border: 1px solid black; border-radius: 50%; padding: 2px;">P1</span> <span style="border: 1px solid black; border-radius: 50%; padding: 2px;">P2</span> <span style="border: 1px solid black; border-radius: 50%; padding: 2px;">P3</span> See page 54 for finishes.</p>	<p><b>4th Option:</b> <b>Paint Option:</b> NA Screen</p>	<p><b>5th Option:</b> <b>Accessories Color (if applicable):</b> DW Designer White E9 Flint</p>
<p>Examples: AAS1548.PR6.APN911 AFAMS2048LH.STD.SLT.PR6.NA AFAMS2048SS.PR6.NA</p>					

Work Tools	Description	Model	List Price
	<b>Hot File (Designer White Only)</b> 9½"H x 12¼"W x 3¾"D	AEHF	\$ 59
	<b>Side Saddle (Designer White Only)</b> 4"H x 12¼"W x 2½"D	AESS	\$ 48
	<b>Bag or Coat Hook (Designer White Only)</b> 3¼"H x 1½"W x 2¼"D	AECH	\$ 37

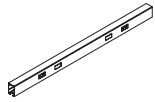
<p><b>How to specify —</b> Select the Model Number from above.</p>	<p><b>1st Option:</b> <b>Paint Option (if applicable):</b> <span style="border: 1px solid black; border-radius: 50%; padding: 2px;">P1</span> <span style="border: 1px solid black; border-radius: 50%; padding: 2px;">P2</span> <span style="border: 1px solid black; border-radius: 50%; padding: 2px;">P3</span> See page 194 for finishes.</p>	<p><b>2nd Option:</b> <b>Fabric Option (if applicable):</b> See page 10 for fabric options.</p>	<p><b>3rd Option:</b> <b>Paint Option:</b> NA Screen</p>	<p><b>4th Option:</b> <b>Accessories Color (if applicable):</b> DW Designer White E9 Flint</p>
<p>Example: AEHF.PJW</p>				

S Shippable by small-package carrier.

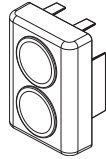
For specification information see pages 214-219.

GSA SIN 33721

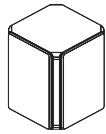
ALTITUDE



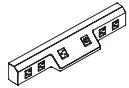
Description	Model	Ship Weight	Cubes	List Price		
				P1	P2	P3
<b>Power Rail</b>						
48"	RFDRW48	7	0.6	\$ 533	\$ 575	\$ 637
54"	RFDRW54	8	0.6	\$ 562	\$ 606	\$ 671
60"	RFDRW60 (shown)	9	0.7	\$ 647	\$ 696	\$ 771
66"	RFDRW66	10	0.8	\$ 691	\$ 744	\$ 822
72"	RFDRW72	11	0.9	\$ 780	\$ 839	\$ 927



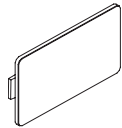
Power Rail End Cap	FDRWEC	1.5	0.1	\$ 209	\$ 224	\$ 246
--------------------	--------	-----	-----	--------	--------	--------



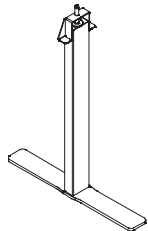
Power Rail Universal Connector	FDRWUC	3	0.1	\$ 380	\$ 406	\$ 446
--------------------------------	--------	---	-----	--------	--------	--------



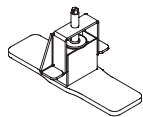
<b>Concealed Power Module</b>						
Corded	FDPWRC	5	0.3	\$ 681	N/A	N/A
Corded Chicago Code	CFDPWRC	6	0.3	\$ 1162	N/A	N/A
Spiral Cord	FDPWRSC	5	0.3	\$ 717	N/A	N/A
Spiral Cord Chicago Code	CFDPWRSC	6	0.3	\$ 1191	N/A	N/A



<b>Electrical Port Cover</b>						
2 Pack	FDEPC2	1	0.1	\$ 56	\$ 60	\$ 66
12 Pack	FDEPC12	2	0.1	\$ 195	\$ 209	\$ 229



Elevated Power Rail Legs 20.5"H	RFDRWLEG	5	0.1	\$ 324	\$ 325	\$ 325
---------------------------------	----------	---	-----	--------	--------	--------



Floor Mount Legs	FDRWLEG	5	0.1	\$ 70	\$ 71	\$ 73
------------------	---------	---	-----	-------	-------	-------



Altitude Power Rail Floor Anchor Bracket	RFDRWAB	2	0.1	\$ 46	\$ 61	\$ 68
--	---------	---	-----	-------	-------	-------

**How to specify —**

Select the Model Number from above.



**1st Option:**

**Paint:**



See page 194 for selections and color codes.\*



*Examples:*

For specification information see pages 214-219.

GSA SIN 33721

Description	Model	Ship Weight	Cubes	List Price		
				P1	P2	P3
<b>Hubs</b>						
End of Run Linear Configuration	RFDRWHUBEND	10	4	\$ 926	\$ 931	\$ 937
End of Run T-Configuration	RFDRWHUBENDT	10	4	\$ 926	\$ 931	\$ 937
Inline Linear Configuration	RFDRWHUBLIN	14	4	\$ 926	\$ 931	\$ 937
Inline X-Configuration	RFDRWHUBX	14	4	\$ 926	\$ 931	\$ 937
Inline T-Configuration	RFDRWHUBT	13	4	\$ 926	\$ 931	\$ 937
L-Configuration Hub	RFDRWHUBL	13	4	\$ 926	\$ 931	\$ 937

ALTITUDE

<p><b>How to specify —</b> Select the Model Number from above.</p>	<p><b>1st Option:</b> <b>Paint:</b> P1 P2 P3 See page 194 for selections and color codes.*</p>
--	--

Examples:

For specification information see pages 214-219.

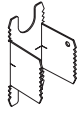
GSA SIN 33721

Description	Model	Ship Weight	Cubes	List Price		
				P1	P2	P3
<b>Power Pole</b>						
8' H Square Power Pole	UN2HPSQ	17	1	\$ 1012	\$ 1027	\$ 1039
Square Power Pole Splicer Kit	UN2HPSQSK	0.5	0.1	\$ 111	\$ 113	\$ 114
Power Pole Connector	RFDRWCNPP	1	0.1	\$ 199	\$ 200	\$ 202
Power Pole Connector - End Condition	RFDRWCNPPE	1	0.1	\$ 199	\$ 200	\$ 202
Power Pole Connector - Mid Condition	RFDRWCNPPM	1	0.1	\$ 199	\$ 200	\$ 202

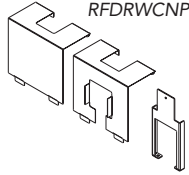
UN2HPSQ



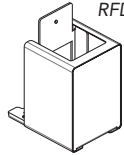
UN2HPSQSK



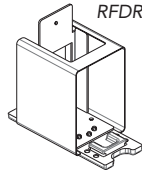
RFDRWCNPP



RFDRWCNPPE



RFDRWCNPPM



### Wire Management

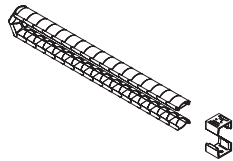
Description	Model	Ship Weight	Cubes	P1	P2	P3
Vertebrae Wire Manager	RFDRWWM	3	0.1	\$ 636	\$ 651	\$ 658

\*Includes connector for Power Rail attachment

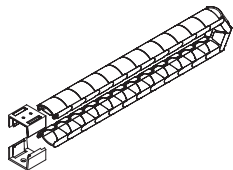
\*Vertebrae available in black only, connector available in 32 standard paints.



Cord Management Snake (Black only) 58"	WKSWMC	2	0.3	\$ 380		
--	--------	---	-----	--------	--	--



Cord Management Chain 36"	A9CLWMC	2	0.3	\$ 317		
---------------------------	---------	---	-----	--------	--	--



#### How to specify —

Select the Model Number from above.

Examples: \_\_\_\_\_ .

#### 1st Option:

##### Paint:

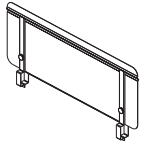
**P1 P2 P3**

See page 194 for selections and color codes.\*

\_\_\_\_\_

For specification information see pages 214-219.

GSA SIN 33721



Description	Model	Ship Weight	Cubes	List Price		
				P1	P2	P3
<b>Allsteel Metal Screen</b>						
48"	RFDRWSC48	10	3.52	\$ 332	\$ 340	\$ 351
54"	RFDRWSC54	11	3.84	\$ 352	\$ 360	\$ 371
60"	RFDRWSC60	12	4.21	\$ 365	\$ 375	\$ 387
66"	RFDRWSC66	13	4.58	\$ 372	\$ 382	\$ 394
72"	RFDRWSC72	14	4.96	\$ 399	\$ 409	\$ 421

**How to specify —**

Select the Model Number from above.

\_\_\_\_\_ .

**1st Option:**

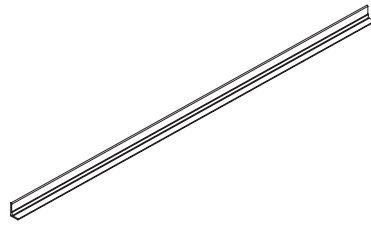
**Paint:**

Ⓟ Ⓟ Ⓟ

See page 194 for selections and color codes.\*

\_\_\_\_\_

*Examples:*

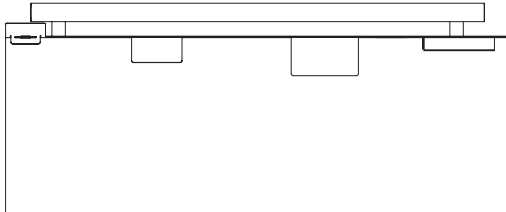


### Rail Accessories

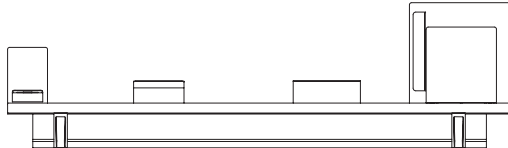
Side View



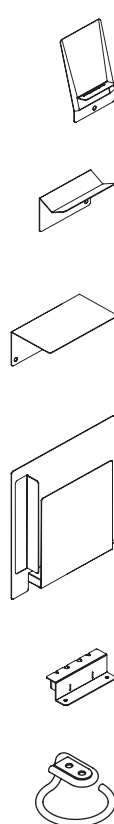
Top View



Phone/  
Tablet  
Stand      Pencil  
Holder      Rail  
Mounted  
Shelf      Vertical  
Paper Tray



Front View



### Worksurface Mounted Rail (page 237)

- Aluminum extrusion designed to mount to flat edge worksurfaces. Comes with rail and hardware for mounting.
- Mounted rail extends 3/4" on underside of worksurface which may interfere with the mounting of storage and screens.
- Widths available for Altitude tables 12" through 66" in 6" increments. Can pass across seams of ganged worksurfaces in tethered applications.
- Passes behind worksurface bracket on tethered applications.
- For freestanding applications rail should be 6" shorter than worksurface (i.e. 54" rail for 60" worksurface).

### Rail Mounted Accessories

Not recommended for use on panel systems with attached worksurfaces due to fit up issues created with worksurface and panel. Adding accessory rail shifts worksurface — 3/8" away from panel along that edge. Forcing worksurface into place crushes fabric tile and with tiles of other material (steel, marker board, etc) is likely to scratch, dent, or otherwise damage tile during installation.

### U9TM Phone/Tablet Stand (page 237)

- 6 1/2"H x 4 3/4"W and angles back 1 1/4".
- Has a 1/4" x 1" slot in bottom flange to allow for routing cables. Requires 1 1/4" space behind worksurface edge in order to be used.

### U9TP Pencil Holder (page 237)

- 2 3/8"H x 6"W x 3"D.
- Holds approximately twenty #2 pencils.

### U9TS Rail Mounted Shelf (page 237)

- 8"W x 4 1/2"D and sits 2 3/8" higher than top of worksurface.
- Holds up to 8 pounds.

### U9TF Vertical Paper Tray (page 237)

- Sits 12"H x 1 1/2"W x 12"D from back of worksurface.
- Folder front stands 9" high from worksurface top, 1/4" space holds about 280 sheets of copy paper.

### U9WTC Cord Organizer (page 237)

- Can attach to both bottom of worksurface or slides into rail.
- 4"W x 7/8"D, made from sheet metal.
- Top sits flush with worksurface if mounted to worksurface.
- 4 cable cut outs: 2 - .250" diameter and 2 - .147" diameter; .250" diameter cut outs are centered between the .147" diameter cut outs.

### Universal Hook (page 237)

- Mounts to underside of worksurface and provides storage for bags, coats and purses. Can be used as a horizontal wire manager.

### Privacy Screens available for Altitude Tables

















Altitude Table Top	Involve Laminate End Screen <i>See Casegoods &amp; Storage Price List Page 295</i>	Involve Glass End Screen <i>See Casegoods &amp; Storage Price List Page 295</i>
48"W	36"W	—
54"W	36"W	48"W
60"W	36", 42", 48"W	—
66"W	36", 42", 48", 54", 60"W	36", 42"W
72"W	36", 42", 48", 54", 60"W	36", 42", 48"W

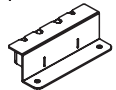
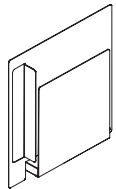
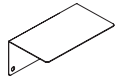
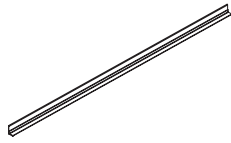
# Accessories

## Worksurface Mounted Rail and Accessories

For specification information see page 236.




GSA SIN 33721

Description	Model	List Price		
		P1	P2	P3
<b>Accessories Rail — Worksurface Mounted</b>				
12"W	U912WTR 	\$ 106	\$ 112	\$ 116
18"W	U918WTR 	\$ 113	\$ 119	\$ 123
24"W	U924WTR 	\$ 130	\$ 136	\$ 140
30"W	U930WTR 	\$ 145	\$ 154	\$ 160
36"W	U936WTR 	\$ 165	\$ 174	\$ 180
42"W	U942WTR 	\$ 178	\$ 187	\$ 193
48"W	U948WTR 	\$ 188	\$ 200	\$ 205
54"W	U954WTR 	\$ 196	\$ 209	\$ 213
60"W	U960WTR 	\$ 206	\$ 220	\$ 226
66"W	U966WTR 	\$ 247	\$ 261	\$ 267
<b>Rail Mounted Accessories</b>				
Phone/Tablet Stand — 6½"H x 4¼"W	U9TM 	\$ 160	\$ 171	\$ 180
Pencil Holder — 2½"H x 6"W x 3"D	U9TP 	\$ 97	\$ 106	\$ 112
Shelf — 8"W x 4½"D; 2½" above top of worksurface	U9TS 	\$ 109	\$ 120	\$ 129
Vertical Paper Tray — 12"H x 1½"W x 12"D	U9TF 	\$ 176	\$ 187	\$ 196
<b>Cord Organizer</b>				
4"W x 7⁄8"D Metal with 4 cable cutouts	U9WTC 	\$ 174	\$ 181	\$ 187
<b>Universal Hook (Black only)</b>				
Package of 2	AGSAUHK 	\$ 117	—	—



ALTITUDE

**How to specify —**  
Select the Model Number from above.

**1st Option:**  
**Paint:**  
    
See page 194 for selections and color codes.\*

U | 9 | | | | | | | .

Examples: U912WTR.PR6 U9TF.P7G AGSAUHK.P27

 Shippable by small-package carrier.

## Extensions — Introduction

Extensions accessory line by Allsteel is designed to help you create your own space.

- **Create a unique space**

Each person is unique, no one person works exactly like another, and different tasks require different tools. Extensions work tools allow each person the ability to create a unique environment that is all their own. Lots of paper to manage? Need active files within arm's reach? Want to maximize your worksurface space? Need light somewhere other than below a cabinet? Whatever the task, we have the tools to accommodate your workstyle.

- **Create a comfortable space**

With a full line of organization, ergonomic, and illumination tools, Extensions allow you to create a comfortable, ergonomic work area. Organization tools keep important items visible and within your reach. Ergonomic tools help you stay comfortable while working. Illumination tools allow you to put your light where it suits you.

- **Create an organized space**

Tired of all the piles of paper building up on your worksurface? Organization tools house your materials and keep them in an orderly fashion. With a combination of hanging or freestanding organizational accessories, Extensions let you manage everything from binders to paper clips.

- **Organization tools**

Work tools are a durable metal construction. Extensions allow you to manage your workspace smartly with tools like the phone caddy to elevate the phone off the worksurface, landscaped mail box trays to minimize worksurface intrusion, folder holders and tool box pencil holders that hang off the slat rail and each other.

Increase your efficiency with organization!

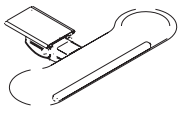
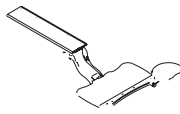
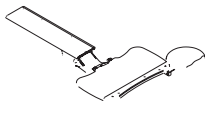
- **Ergonomic tools**

Ergonomics is more than just comfort, it's flexibility and safety. The adjustable keyboard options allow users to maintain and vary comfortable wrist and arm positions throughout the day, whether typing or mousing. Monitor Arms offer versatile adjustability while providing optimum comfort for the eyes, neck, and shoulders.

- **Illumination tools**

Sleek and flexible, our lighting components offer you several choices. Recessed task lights conserve space and feature electronic ballast for longer bulb life and cooler operating temperature. LED tasklights' slim design blends in with its surrounding while utilizing energy-efficient LED technology. The Link light offers award-winning style to a highly versatile and energy efficient light.

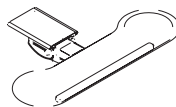


Articulating Keyboard Supports			
Features	Model AKTSHORT	Model AKTLONG	Model AKTMID
			
Keyboard Support	Platform style 28"W x 8"D	Platform Style 19"Wx11"D	Platform Style 19"Wx11"D
Keyboard Support Material	Phenolic	Phenolic	Phenolic
Suspension	<ul style="list-style-type: none"> <li>Nylon glides on lubricated slide track</li> <li>Intuitive lift and lock one touch height adjustment</li> </ul>	Lubricated slide track system: spring assisted	Lubricated slide track system: spring assisted
Platform Rotation	360 degrees	360 degrees	360 degrees
Platform Tilt	+10/-20 degrees	+10/-20 degrees	+10/-20 degrees
Platform Tilt Adjustment	Soft touch lever for precise tilt adjustment	Convenient tilt wheel assists desired tilt angle	Convenient tilt wheel assists desired tilt angle
Platform Height Adjustment Range	6½" (1½" above / 5¼" below)	12½" (7" above to 5½" below)	8" (3" above / 5" below)
Platform Height Adjustment	Lift platform to raise, lift slightly and tilt back to lower	Lift platform to raise, lift slightly and tilt back to lower	Lift platform to raise, lift slightly and tilt back to lower
Palm Rest	Detachable leatherette-covered gel palm rest	Fabric covered gel palm rest	Fabric covered gel palm rest
Mouse Pad	In-line to accommodate mouse on same level as keyboard.	Circular, swivel, tilt, LH/RH mounting, mouse catcher, gel rest	Circular, swivel, tilt, LH/RH mounting, mouse catcher, gel rest
Microsoft Natural Compatible	No	Yes — by removing palm rest	Yes — by removing palm rest
Track Depth	8"	23"	21"
Required Mounting Clearance	20"W x 8"D x ¼" Recess	19"W x 23"D + ¼" Recess	19"W x 23"D + ¼" Recess
Adjustable Wrist Rest	No	Fixed mounting and height	Fixed mounting and height
Ideal For	<ul style="list-style-type: none"> <li>Straight worksurfaces</li> <li>ADA/HFES compliance</li> <li>Extensive adjustability with mouse in line, mouse over or mouse forward of keyboard</li> <li>Height-Adjustable Table</li> </ul>	<ul style="list-style-type: none"> <li>Corner worksurface applications</li> <li>Sit to stand applications</li> </ul>	<ul style="list-style-type: none"> <li>Shallow worksurfaces</li> <li>Corner worksurface (17" or 21")</li> <li>Radius worksurface (42" or 48")</li> </ul>
Additional Information		<ul style="list-style-type: none"> <li>Track can be cut in the field to shorten track depth — may affect ability to fully recess platform</li> </ul>	<ul style="list-style-type: none"> <li>Track can be cut in the field to shorten track depth — may affect ability to fully recess platform</li> </ul>

EXTENSIONS

**AKTSHORT Keyboard Support (page 240)**

- Lift and lock intuitive height adjustment.
- Compatible with Altitude Height Adjustable Tables
- Positive and negative tilt for best ergonomic positioning.
- +10°/-20° tilt adjustment and 360° rotation provides support of neutral position of shoulders, arms and wrists while accommodating multiple working postures.
- Surpasses ANSI/BIFMA standards.
- Black powder coat finish.
- Patented secondary slide and unique arm design provide minimal footprint.



**Keyboard Spacer Kit (page 240)**

- Keyboard Spacer Kit required for mounting under Altitude worksurfaces.
- Kit provides ten spacers and hardware for mounting keyboard supports beneath an external worksurface support channel.
- Spacers are 2⅞"H providing more room beneath surface for mounting.

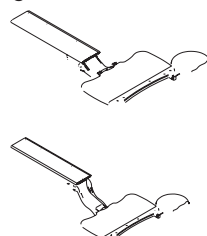
**CPU Hammock (page 240)**

- Features 360-degree swivel with an 11" track.
- Load capacity is 75 lbs.
- CPU must be minimum of ¾"W with maximum dimension of 64" in perimeter.
- Handy adjustment tool stores within unit.
- Safety feature prevents accidental release of straps and straps can be adjusted while CPU is installed.
- Can be used on Height Adjustable Tables as long as it is attached with spacer model AKMH. Take into account required leg room for users.



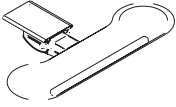

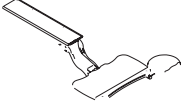

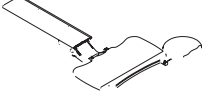






**AKTMID and AKTLONG Keyboard Support (page 240)**

- Lift and lock intuitive height adjustment.
- Positive and negative tilt for the best ergonomic positioning.
- +10°/-20° tilt adjustment and 360° rotation provides support of neutral position of shoulders, arms, and wrists while accommodating multiple working postures.
- Non-handed mouse tray can be moved from right hand to left hand side.
- Surpasses ANSI/BIFMA standards.
- Black powder-coat finish.

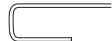


For specification information see page 239.

GSA SIN 33721

	Description	Model	List Price						
	<b>Compact Keyboard Support with 8" Track</b> 30"W x 13"D	AKTSHORT 	\$ 536						
	<b>STS Keyboard Support with 23" Track</b> 24"W x 12"D	AKTLONG 	\$ 657						
	<b>Articulating Keyboard Support with 21" Track</b> 24"W x 12"D	AKTMID 	\$ 565						
	<b>Keyboard Spacer Kit</b> 10 – 2½"H Spacers and Hardware	AKMH 	\$ 57						
	<b>CPU Hammock™ (Silver only)</b> 360° swivel CPU holder with adjustable straps	ACPU1 	\$ 383						
	<b>Metal Corner Sleeve</b> — for use with Optimize™, Concensys®, and Terrace® • Fits 1¼" thick square edge detail. (T-Mold worksurfaces) 22½"W leading edge x 18"D.	AWCS	<table border="1"> <thead> <tr> <th>P1 Paint List Price</th> <th>P2 Paint List Price</th> <th>P3 Paint List Price</th> </tr> </thead> <tbody> <tr> <td>\$ 134</td> <td>\$ 138</td> <td>\$ 143</td> </tr> </tbody> </table>	P1 Paint List Price	P2 Paint List Price	P3 Paint List Price	\$ 134	\$ 138	\$ 143
P1 Paint List Price	P2 Paint List Price	P3 Paint List Price							
\$ 134	\$ 138	\$ 143							

Edge Details



Model AWCS

### How to specify —

Select the Model Number from above.



Examples: AKMH ACPU1

 Shippable by small-package carrier.

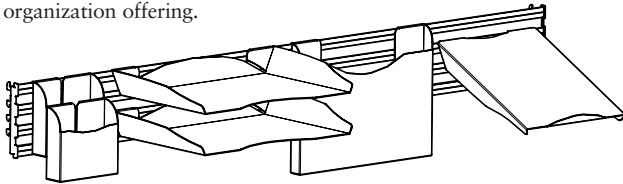
Allsteel's tool rail works in conjunction with a variety of accessories. Modular accessories free up worksurface space and provide orderly storage that is well within reach. Units can be arranged and rearranged to respond to changing workflow. The work tools that attach to the tool rail are:

- Mail Box
- Folder Holder
- Phone Caddy
- Binder Bin
- Tool Box
- Clip Caddy™
- Sidebar™ Personal Shelf
- Paper Wave™
- Gripper Clip

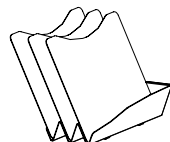
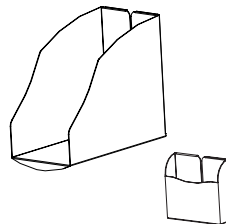
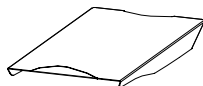
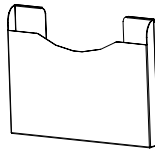
Additional accessories that work with the **tool rail work tools** aesthetically are:

- Bookends
- Freestanding Mail Box

Coat hooks, marker boards and center drawers round out the organization offering.



Tool rail, shown above, is height-adjustable in 1" increments using slots in panels or metal hutch. Tool rail shown with two tool boxes, two mail boxes, folder holder, and phone caddy. Folder holders and binder bins extend below a tool rail. Paper Wave and contents extend above a tool rail.



### Tool Rails and Work Tools (page 244)

- Sturdy aluminum extrusion with steel support construction.
- Powder coated for durable finish.
- Use to hang Extensions tools. Cannot be used to support monitor arms.
- Suggested weight capacity not to exceed 80 lbs.
- Consideration needs to be given to height of tools and location of worksurfaces.
- For use with Terrace®, Concensys®, and Optimize™ systems.
- 5" high rail (widths coordinate with panels).
- Attachment via vertical reveals.
- Can be hung from wall track. Good solution for above copiers.
- Systems tool rail is off-modular — can be used on a panel of equal width or one size smaller.
- May span two panels of appropriate size, i.e., 60" W Tool Rail on two 30" W panels.

### Tool Rail for Hutches (page 244)

- Will work on Universal, Terrace, Optimize, and Concensys system hutches produced after July 2, 2000 and Align™ metal hutches.
- Sturdy aluminum extrusion with steel support construction.
- Powder coated for durable finish.
- Use to hang Extensions tools. Cannot be used to support monitor arms.
- Suggested weight capacity not to exceed 80 lbs.
- Consideration needs to be given to height of tools and location of worksurfaces.

### Mail Box (page 245)

- Holds standard letter-size paper and inter-office envelopes.
- Minimal horizontal intrusion.

### Folder Holder (page 245)

- Holds manila envelopes.
- Is capable of hanging on other folder holders to maximize space.
- Stores vertically for easy access to files.

### Phone Caddy (page 245)

- Holds telephone at optimum ergonomic angle.
- Wire management cut-outs.
- Accommodates standard phone sizes.

### Binder Bin (page 245)

- Holds folders, binders, and manuals.

### Tool Box (page 245)

- Holds pencils and other writing utensils, large post-it notes, and other desk top accessories.

### Clip Caddy™ (page 245)

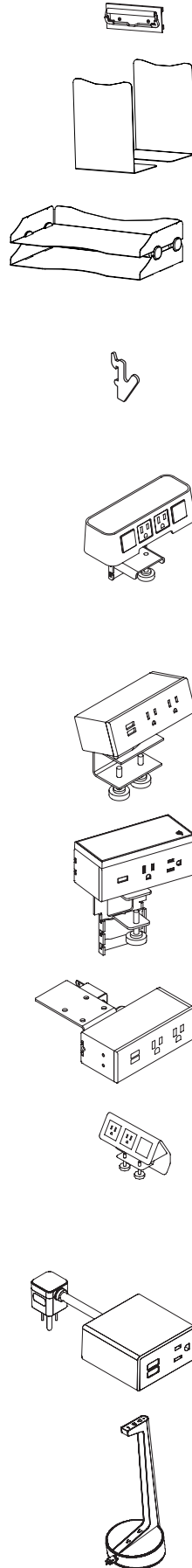
- Holds paper clips and other small objects.

### Sidebar™ Personal Shelf (page 245)

- Holds office supplies and personal effects.

### Paper Wave™ (page 245)

- Provides 3 fully divided slots for organizing files.
- Keeps papers from "bowing" at bottom.



**Gripper Clip (page 245)**

- Binds project papers together.
- Mounts to tool rail or tool tile.

**Bookends (page 245)**

- Can be used on shelves or in cabinets.
- Used to hold books, binders, and catalogs upright.

**Freestanding Mail Box (page 245)**

- Incorporates similar aesthetic to mounted Mail Box.
- Mounting brackets allow for free access from front and back.
- Sold in pairs of two; will stack up to eight high.
- Individual mail box dimension = 1 3/4" H.
- Stacking brackets are black.

**Coat Hook APMC6 (page 245)**

- Hangs directly into slotted Terrace®, Optimize™, or Concensys® panel frame.
- Use for coat or bag.
- Package of six.
- Available in black only.

**Power/Data Modules — Clamp On Worksurface (page 251)**

- On-surface mounting option, fits on any worksurface with a 4" overhang.
- 6' Power cord. UL Listed.
- Includes adapters to allow use of commercially available data terminals or blanks to fill unused openings. Many of the AMP, AT&T, Krone, Leviton and most commercial data terminals can be used.

**Power/Data Modules — Clamp On Worksurface (page 251)**

- Worksurface clamp can be used on any surface with a 2 1/2" overhang.
- Must be installed at time of initial worksurface installation if installing between a worksurface and panel.
- 6' Power cord. UL Listed.
- The USB hub allows simultaneous powering of 2 USB-A devices. The USB hub is a charger only, no ability to connect to a PC. The charging capacity is limited and may not charge all devices.
- Qi compatible wireless charging available on select models.

**Power/Data Modules — Under Worksurface (page 251)**

- Under surface mounting can be used on any surface with a 5" clearance.
- 6' Power cord. UL Listed.
- Hardware not included.

**Worksurface Power/Data Module (page 251)**

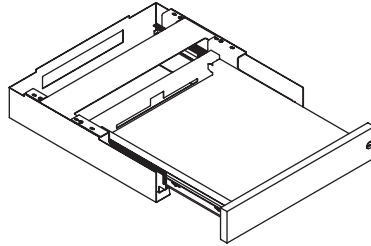
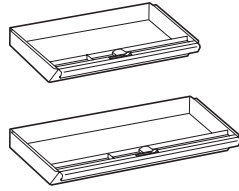
- Provides easy access to technology at primary worksurface.
- Mounts to edge of a worksurface and requires 3/8" gap. Consider whether 3/8" gap will work with layout.
- Must be mounted at time of initial worksurface installation if mounting between a worksurface and a panel. Maintaining 3/8" gap may not be possible with worksurfaces that are panel wrapped.

**Miki Power Modules (page 251)**

- Table top and undermount units.
- Hardware not included on undermount.
- 6' Power cord, UL Listed.
- 1 AC power and 1 dual USB configuration.

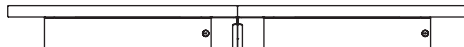
**Vesta Mobile Power (page 251)**

- 3 AC power simplex, 1 dual USB-A, 1 USB-C configuration.
- 10' Retractable power cord, UL Listed.
- Unit weighs 13 lbs.

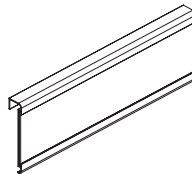
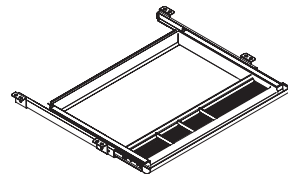
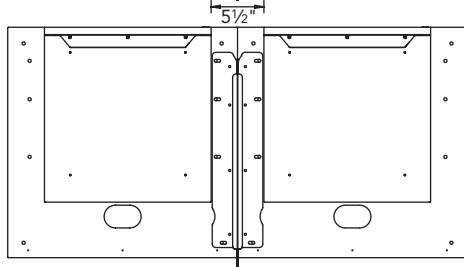


**Flat Brackets**

Front View



Top View



**Metal Center Drawers (page 246)**

- All metal center drawers feature pencil trays with three compartments for storage.
- Center drawers will not fit in center of 24" D worksurfaces which are wider than 60" due to location of center support bracket.
- For locking specifications, see pages 256-257.
- Ball-bearing slide suspension.

**Laptop Drawer — U7WDA (page 246)**

- Drawer body made of sheet metal.
- Drawer front made of 3/4" particleboard with laminate on both sides and fused laser edge banding.
- Core removable lock is located on right side drawer front
- 17 5/8" W x 18" D x 3 3/8" H Outside (interior 13" W x 16" D x 1 7/8" H)
- Minimum surface depth is 21" for surfaces not using an external stiffener; and 27" for surfaces using an external stiffener.
- Drawer extends 16"
- Maximum load: 45 lbs (functional BIFMA load)
- Drawer assembly and cover have cut out in back to allow for cables to exit drawer.
- Distance from floor to bottom of unit w/glides fully retracted is 24 3/4".
- Does not interfere with Further leg mounting plates so drawer can be placed directly next to either a system or table leg.
- When being placed next tower storage using the tower ell bracket (Z6LB) to support surface the drawer must be inset 3" to clear the ell bracket.
- Can be placed directly next to any support storage from any Allsteel product line (excluding towers).
- Flat brackets — drawer must be offset 3" from seam between surfaces to clear the bracket. See illustration at left.
- Can be used with rabbit edge worksurface models but there will be a larger reveal between surface and drawer.
- Can be used with knife edge worksurface models but reveal and depth need to be considered.

**Polymer Center Drawer - ACD1 (page 246)**

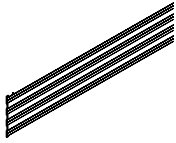
- 20 1/2" W x 17" D x 2" H
- Available in black only
- Made from ABS.
- Minimum clearance for mounting: 23" W x 16 1/4" D x 2" H.
- Retracts on 16" ball-bearing slides.
- Can be used on worksurfaces with Height Adjustable Bases as long as it is attached with spacer model AKMH.
- Can store up to 25 lbs.

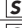
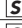
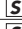
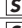
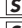
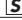
**Name Plate (page 245)**

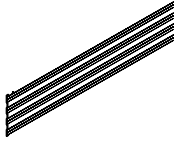
- Comes in a 10-pack.
- Metal backer installs under a Terrace or Optimize top cap, can be used with frameless glass.
- Cover is a transparent polycarbonate insert.
- Full plate is 8 1/2" W x 2 5/8" H.

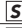
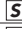
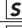
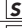
For specification information see pages 241-242.

GSA SIN 33721



Description	Model	P1 Paint List Price	P2 Paint List Price	P3 Paint List Price
<b>5"H Tool Rails — for Panels</b>				
24"W	EASR24 	\$ 237	\$ 270	\$ 301
30"W	EASR30 	\$ 251	\$ 284	\$ 315
36"W	EASR36 	\$ 262	\$ 295	\$ 326
42"W	EASR42 	\$ 274	\$ 307	\$ 338
48"W	EASR48 	\$ 281	\$ 314	\$ 345
60"W	EASR60 	\$ 332	\$ 365	\$ 396



<b>5"H Tool Rails — for Metal Hutches</b>				
36"W	EAHSR36 	\$ 262	\$ 294	\$ 324
42"W	EAHSR42 	\$ 274	\$ 306	\$ 336
48"W	EAHSR48 	\$ 281	\$ 313	\$ 343
60"W	EAHSR60 	\$ 332	\$ 364	\$ 394
66"W	EAHSR66 	\$ 342	\$ 374	\$ 404
72"W	EAHSR72 	\$ 368	\$ 400	\$ 430

**How to specify —**  
Select the Model Number from above.

*1st Option:*

**Paint:**



See page 12 for finishes.

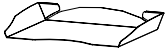

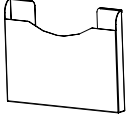
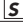


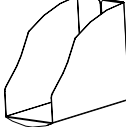

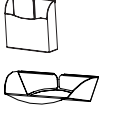












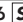
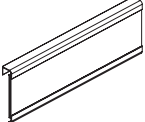
\_\_\_\_\_ . **P** \_\_\_\_\_

*Example: EASR36.P02*

 Shippable by small-package carrier.

For specification information see pages 241-242.

GSA SIN 33721

	Description	Model	P1 Paint List Price	P2 Paint List Price	P3 Paint List Price
	<b>Mail Box</b> 9"D x 15"W	EAPT 	\$ 117	\$ 134	\$ 148
	<b>Folder Holder</b> 9"H x 12"W	EAFS 	\$ 120	\$ 137	\$ 151
	<b>Phone Caddy</b> 9"W x 11"D	EATS 	\$ 146	\$ 163	\$ 177
	<b>Binder Bin</b> 8½"H x 5¼"W x 10"D	EABS 	\$ 117	\$ 134	\$ 148
	<b>Tool Box</b> 5"H x 5¼"W x 1½"D	EADH 	\$ 93	\$ 110	\$ 124
	<b>Clip Caddy™</b> 2"H x 7"W x 3½"D	EAAC 	\$ 83	\$ 100	\$ 114
	<b>Sidebar™ Personal Shelf</b> 2"H x 21"W x 7"D	EAPS 	\$ 120	\$ 137	\$ 151
	<b>Paper Wave™</b> Tray size: 2½"H x 6"W x 10"D Dividers: 9½"H x 9"W	EASS 	\$ 167	\$ 184	\$ 198
	<b>Gripper Clip</b> Package of 2 — 5"W x 2"H	EAPC 	\$ 120	\$ 137	\$ 151
	<b>Freestanding Mail Box</b> (specify paint color) Pair — 4⅞"H x 13¼"W x 9"D	EAFB 	\$ 241	\$ 258	\$ 272
	<b>Coat Hooks</b> (black only) Package of six	APMC6 	\$ 117	N/A	N/A
	<b>Panel Name Plate</b> Package of 10	EACS	\$ 320	\$ 337	\$ 351
	<b>Note:</b> Not for use on tool tile or rail, name plate installs under top cap on Terrace and Optimize.				

EXTENSIONS

**How to specify —**  
Select the Model Number from above.

*1st Option:*  
**Paint:**  
    
See page 12 for finishes.

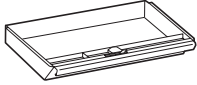

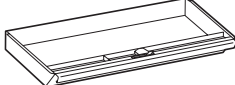

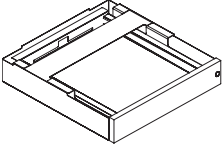

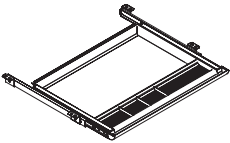
**P** | | | | | .








Examples: EAPT.P4J APMC6.P

 Shippable by small-package carrier.

For specification information see pages 242-243.

GSA SIN 33721

	Description	Model	List Price		
			P1	P2	P3
 <p>Angled front</p>	<b>Metal Center Drawer w/Lock</b> 19"W x 14¼"D x 3"H • 12" drawer extension (3/4). • Inside drawer dimension: 19"W x 13"D x 2⅝"H. • Minimum clearance for mounting: 21¼"W x 19¼"D.	CSDC19 	\$ 271	\$ 290	\$ 306
 <p>Angled front</p>	24½"W x 14¼"D x 3"H • 12" drawer extension (3/4). • Inside drawer dimension: 24½"W x 13½"D x 2⅝"H. • Minimum clearance for mounting: 27⅝"W x 19¼"D.	CSDC25 	\$ 278	\$ 297	\$ 313
	<b>Laptop Drawer — Locking, laminate front, metal case</b> 17⅝"W x 18"D x 3⅜"H • 16" drawer extension • Inside drawer dimensions: 13"W x 16"D x 1⅞"H • Minimum clearance for mounting: 17⅝"W x 21"D x 3⅜"H (see illustration)	U7WDA 	\$ 1558	\$ 1578	\$ 1594
	<b>Polymer Center Drawer</b> 20½"W x 17"D x 2"H • 11½" extension • Minimum clearance for mounting: 23"W x 16¼"D x 2"H	ACD1	\$ 216	N/A	N/A

<p><b>How to specify —</b> Select the Model Number from above.</p>	<p><i>1st Option:</i> <b>Laminate Edge</b> (Laptop drawer front if applicable): See page 194 for finishes.</p>	<p><i>2nd Option:</i> <b>Edge</b> (Laptop drawer edge if applicable): See page 194 for finishes.</p>	<p><i>3rd Option:</i> <b>Paint</b> (If laptop drawer, list exterior case color here): See page 12 for finishes. Power Data Module PR6 Silver.</p>	<p><i>4th Option:</i> <b>Paint</b> (Interior of laptop drawer if applicable): See page 12 for finishes.</p>	<p><i>5th Option:</i> <b>Lock</b> (if applicable): <b>STD</b> Standard <b>OMT</b> Omit (Deduct \$18)</p>	<p><i>6th Option:</i> <b>Lock or Tech Module Color</b> (if applicable): <b>EL</b> Silver (Lock)</p>
						

Example: U7WDA.LM11EV.P27.PR6.STDEL

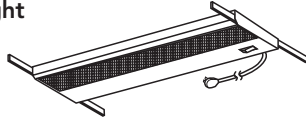
 Shippable by small-package carrier.



Allsteel Extensions offers Illumination in three styles — Undercabinet LED Light, Wand Light, and **Splitly Light**.

**Recessed Undercabinet LED Light**

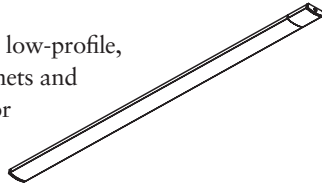
Recessed task lights conserve space and provide an efficient solution for illuminating the workplace. All models are equipped with LED strips.



Recessed task light models mount under storage cabinets or shelves to provide optimal space utilization. Models are available in two styles and three sizes to correspond with the width of the cabinet or shelf. Task lights with a fused plug are available to meet Chicago electrical code.

**Undercabinet LED Light**

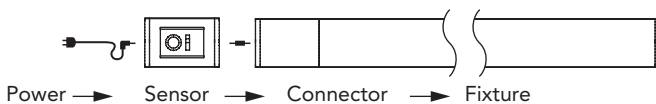
The Undercabinet LED Light is a low-profile, linear solution for overhead cabinets and shelves and is an ideal solution for painted wood storage. It utilizes energy-efficient LED technology which provides a long life. The Undercabinet LED Light provides the opportunity to mount the fixture where light is needed most.



The Undercabinet LED Light features a metal trough reflector with diffuser lens. The light has a sleek 1/2" thick profile and provides two options for mounting, either magnetically or with hardware. Undercabinet LED Lights can be daisy-chained.

Optional undercabinet occupancy sensor is available which will automatically turn off the fixture after 30 minutes of no detection and back on immediately as the user re-enters the detection range using Passive Infrared (PIR) sensor technology. Unit features 360° lens with 90° outward detection angle, providing a 36" coverage diameter at 18". Occupancy sensor comes with connector and is required to be connected in the sequence shown below. Connect occupancy sensor to a light, or first light in daisy chain to control all linked lights.

**CONNECTION SEQUENCE\***



\*Cannot deviate from this sequence

**Recessed Task Lights (page 249)**

- Black Metal Construction with 9' long black cord attached to right rear corner of the fixture.
- LED strip comes installed within light.
  - 50,000 hour life span
  - 120V-277V
  - CCT 4000K
  - CRI 80+
- Includes 4 cord retainer clips.
- Shorter width models can be used on wider overheads, shelves and hutches.
- On/Off switch provides individual control of tasklight within the workstation.
- Daisy chain models require a master control model — 10 fixtures maximum.
- RECOMMENDATION: Provide a separate circuit for task lights to ensure proper, long-term operation.

**Undercabinet LED Lights (page 249)**

- Low profile energy-efficient LED task light for use with overhead storage cabinets and shelves.
- 20W power supply for 10W 17" unit (.166 amps).
- 20W power supply for 20W 31" unit (.166 amps).
- 60W power supply for daisy-chain starter units (.5 amps). Must order one starter unit for each daisy-chain application.

LED Light Combinations Must Not Exceed 60W in Combination	Power Usage
6X 17"	60W
3X 31"	60W
1X 31" + 4X 17"	60W
2X 31" + 2X 17"	60W

- The combinations that could max out 60W are featured above. *Daisy chained units have a power limit of 60W from one power entry. 17W units use 10W and 31W units use 20W.*
- Specify up to 5 additional 17" interconnect units (ALED17UJMP30) to daisy-chain together with 17" daisy-chain starter fixture (ALED17U60).  
*Example: Daisy-chain 4-17" undercabinet LED lights:*  
Specify: 1 ALED17U60  
Specify: 3 ALED17UJMP30 with 10" jumper cord
- Specify up to 2 additional 31" interconnect units (ALED31UJMP30) with 10" jumper cords to daisy-chain together with 31" tasklight (ALED31U60); or 17" daisy-chain starter fixture (ALED17U60).
- 3500K color temperature.
- 131 footcandles at 18" on ALED31U; 76 footcandles at 18" on ALED17U.
- Magnetic or screw-mount option — attachment hardware included.
- On 20 watt models, power drive is attached to plug: allow 1 1/8" D space at outlet.
- On 60 watt models, power drive brick is in center of cord.
- Includes 3 cord retainer clips.
- Meets California Title 24 Energy Efficiency Standards.
- "Instant On" switch with infinite dimming cycle from 100% to 15% with the last state memory, allowing the user to set their desired level of lighting.
- Fixture automatically turns off after 10 hours of use to reduce unwanted energy use.
- Optional occupancy sensor automatically turns off all interlinked fixtures after 30 minutes of no detection and back on immediately when detection is found.

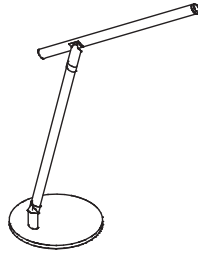
Overhead Length	Suggested LED Sizes
24	17
30	17
36	17
42	31
48	17 + 17
60	31 + 17
72	31 + 31

Note: LED lights may need to be positioned along length properly to allow jumping to additional overheads. Suggested sizes above are recommendations for single overheads to provide as much light along length of overhead as possible.

The suggested sizes factor in 4 inches of room for the power inlet and occupancy sensor (optional).

**Wand™ Task Light**

Wand freestanding task light offers a clean, simple design along with powerful LED technology to illuminate the workspace. The swivel base and arm tilt allow users to position the light just where they need it. The 7.7 watt LED light offers efficiency and long life, providing up to 25 years of daily use. The slim, sleek design makes it easy to integrate into any workspace. Wand task light is 97% recyclable. Occupancy sensor and/or charging models available.

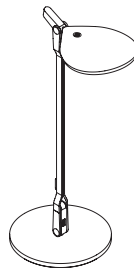


**Wand LED Freestanding Task Light (page 250)**

- Available in Silver or White. 9'4" cord is Silver.
- Full range dimming from 100% – 10% with last state memory.
- Uses 5W at highest setting and as low as 1 watt at its lowest setting, providing 75 to 12.7 footcandles of light, respectively (16" above worksurface).
- 7½" round swivel base and 16½"H tilt arm allow versatile positioning of the 13" lampshade.
- Designed for 50,000 hours of life.
- Color Temperature: 3500K. Color Rendering Index (CRI): 80.
- Materials: aluminum arm and lampshade, steel base.
- Weight: 4.4 lbs. 97% recyclable, 76% post-consumer.
- Certifications: UL and CUL. TAA compliant.
- Occupancy sensor available with automatic shut-off after 15 minutes if no motion is detected.
- USB model features USB-A (1), USB-C (1) charging within base of unit.
- USB model also features occupancy sensor. 7.5W (A) & 18W (C) power consumption.

**Splitty Task Light**

Splitty's organic and modern design compliments the workstation while also bringing rich features to the user. In addition to illuminating the space, Splitty can also be a teleconferencing tool through Splitty's 360-degree light head adjustment and soft touch, continuous dimming. Integrated charging allows for small personal device charging crucial to the modern worker's workplace toolkit while minimizing clutter within the station. Optional clamp or tool tile mounts available as accessories.



**Splitty Task Light (page 250)**

- Available in Silver, White, or Black (accessories available in silver only).
- Cord is 12' long.
- Cord is silver when black or silver finish specified, white when white light is specified.
- Soft touch on/off, dimming.
- Continuous dimming (100% – 3%) with last state memory.
- 5.8W of energy consumption. 7W at highest setting, 0.6W at lowest.
- 5" 360-degree swivel light head, 6.54" round swivel base and 17"H arm. Arm has full 180 degree rotation and 360 degree swivel.
- Designed for 60,000 hours of life.
- Color Temperature: 3500K, Color Rendering Index: 90.
- Materials: aluminum, plastic.
- USB-A has 5W of power consumption.
- USB-A (1) charging at bottom of light arm stem. Charging feature compatible for any mounting method.
- Clamp mount compatible with surfaces ¼" – 2¼" thick.
- Tool tile mount has 1½" adjustment range, minimum slot height of ⅝".

For specification information see pages 247-248.

Open Market / GSA SIN 33721 (as noted)



Description	Watt Usage	Model	List Price
<b>Recessed Task Lights (Black only)</b> — Use recessed under overhead cabinets, storage shelves, or hutches, comes with cord retainer clips			
Task Light for 24"W	10	A870824 <b>[S]</b>	\$ 393
Task Light for 30"W and 36"W	14	A870830 <b>[S]</b>	\$ 397
Task Light for 42"W and 48"W	21	A870842 <b>[S]</b>	\$ 429
Task Light for 60"W, 66"W, and 72"W	28	A870860 <b>[S]</b>	\$ 464

**Recessed Task Lights (Black only)** — With fused plug (satisfies Chicago electrical code)

Task Light for 24"W	10	A870824CH <b>[S]</b>	\$ 507
Task Light for 30"W and 36"W	14	A870830CH <b>[S]</b>	\$ 517
Task Light for 42"W and 48"W	21	A870842CH <b>[S]</b>	\$ 550
Task Light for 60"W, 66"W, and 72"W	28	A870860CH <b>[S]</b>	\$ 581

**Note:** See below for GSA Approved Task Lights.



**GSA Recessed Task Lights** — Use recessed under overhead cabinets, storage shelves, or hutches

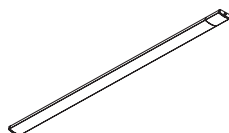
**Base Models** — Stand Alone

Task Light for 24"W	15	GS870924 <b>[S]</b>	\$ 502
Task Light for 30"W and 36"W	17	GS870930 <b>[S]</b>	\$ 519
Task Light for 42"W and 48"W	25	GS870948 <b>[S]</b>	\$ 557
Task Light for 60"W, 66"W, and 72"W	32	GS870960 <b>[S]</b>	\$ 597



**Cord Retainer Clips (Black only)**

Bag of 50 clips		AAPACM2 <b>[S]</b>	\$ 49
-----------------	--	--------------------	-------



**LED Undercabinet Light (white end caps)**

17" Task Light w/20 watt power supply for 24"W or wider overhead	ALED17U	<b>[S]</b>	\$ 930
17" Task Light w/60 watt power supply for daisy chain	ALED17U60	<b>[S]</b>	\$ 1018
17" 10 watt Interconnect Task Light w/10" Jumper Cord	ALED17UJMP30	<b>[S]</b>	\$ 718
31" Task Light w/20 watt power supply 36"W or wider overhead	ALED31U	<b>[S]</b>	\$ 1396
31" Task Light w/60 watt power supply for daisy chain	ALED31U60	<b>[S]</b>	\$ 1471
31" 20 watt Interconnect Task Light w/10" Jumper Cord	ALED31UJMP30	<b>[S]</b>	\$ 838
Undercabinet Occupancy Sensor 2 3/4"W + 1"W Connector	ALEDOCC*		\$ 566

\*Undercabinet Occupancy Sensor works with LED Undercabinet lights shipped after 11/1/2013.

*How to specify —*  
Select the Model Number from above.

*1st Option:*

**Cord Retainer**

**Clip Color:**

Black only.

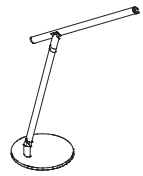
\_\_\_\_\_ . **P|2|7**

*Examples:* A870824    A870824CH    GS870924    AAPACM2.P27

**[S]** Shippable by small-package carrier.

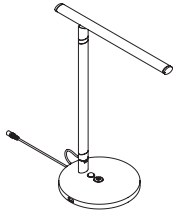
For specification information see pages 247-248.

Open Market / GSA SIN 33721



GSA SIN 33721

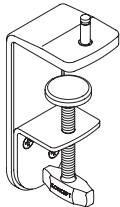
Description	Model	List Price
<b>Wand™ LED Task Light</b> (Silver or White)		
Freestanding LED Task Light	WANDFS <input type="checkbox"/>	\$ 453
Freestanding LED Task Light (Occupancy Sensor)	WANDFSOC <input type="checkbox"/>	\$ 644



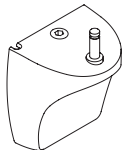
Freestanding LED Task light (Occupancy Sensor & Charging)	WANDFSUSB	\$ 671
---	-----------	--------



<b>Splitty Task Light</b> (Silver, White, or Black)		
Freestanding LED Task Light (Charging)	PRFTSKFS	\$ 613



Clamp Mount (Silver only)	PRFTSKCL	\$ 70
---------------------------	----------	-------



Tool Tile Mount (Silver only)	PRFTSKTR	\$ 70
-------------------------------	----------	-------

EXTENSIONS

**How to specify —**  
Select the Model Number from above.

*1st Option:*

**Color**  
**(for Splitty):**

SVR Silver  
WHT White  
BLK Black

**(for Wand LED):**

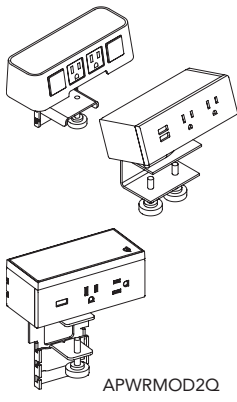
SVR Silver  
WHT White

Example: WANDFS.WHT

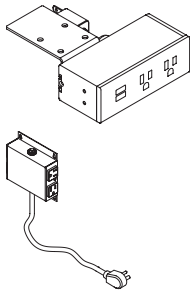
Shippable by small-package carrier.

# Extensions

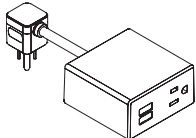
For specification information see page 242.



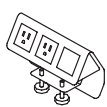
Description	Model	List Price
<b>Power/Data Modules — Worksurface Clamp</b>		
Dome — 2 Power, 2 Open Data with faceplate adapters (FOG Fog only)	ACOMDOME2	\$ 458
2 Power, 2 USB (SNW Snow or STRM Storm)	APWRMOD2WC	\$ 632
3 Power (SNW Snow or STRM Storm)	APWRMOD3WC	\$ 486
2 Power, 1 Dual USBA, Qi Power Module	APWRMOD2Q	\$ 697



<b>Power/Data Modules — Under Worksurface Mount</b>		
2 Power, 2 USB (SNW Snow or STRM Storm)	APWRMOD2UWM	\$ 632
3 Power (SNW Snow or STRM Storm)	APWRMOD3UWM	\$ 486
4 Power Quad Tap (10' cord)	UNQTMP	\$ 405



<b>Miki</b>		
1 Power, 1 USB Table Top	APWRMOD1TT	\$ 278
1 Power, 1 USB Under Worksurface Mount	APWRMOD1UWM	\$ 278



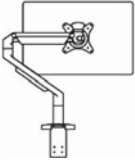
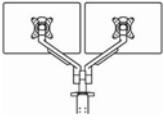
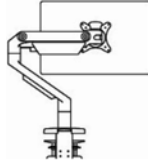
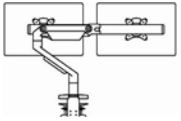
<b>Worksurface Power/Data Module (PR6 Silver only)</b>		
2 Simplex receptacles, 1 data position	A870302	\$ 351



<b>Vesta</b>		
3 Power Vesta – Corded	AVSTA3PWR	\$ 1780

<p><b>How to specify —</b> Select the Model Number from above.</p>	<p><i>1st Option:</i> <b>Color Option 1:</b> FOG Fog SNW Snow STRM Storm BLK Black</p>	<p><i>2nd Option:</i> <b>Color Option 2</b> (if applicable): FOG Fog SNW Snow STRM Storm BLK Black</p>

Example: ACOMDOME2.FOG

PIVOT MONITOR ARMS	Standard Dynamic Single	Standard Dynamic Dual	Heavy Duty Dynamic Single	Heavy Duty Dynamic Dual with Crossbar
Allsteel Model:	AMASTS	AMASD	AMASHD	AMADHD
				
Features:				
Price	\$425	\$858	\$732	\$1012
Colors	Black and Silver	Black and Silver	Black and Silver	Black and Silver
Monitor Rotation	180°	180°	180°	180°
Monitor Extension	18.75"	18.26"	20.75"	23"
Monitor Tilt Adjustment	+25°/-25°	+25°/-25°	+25°/-25°	+25°/-25°
Arm Height Adjustment	8.4" to 19"	9.6" to 20.1"	8.5" to 20"	8.5" to 20"
Weight Capacity	6.2 to 17 lbs.	6.2 to 17 lbs. per Arm	8 to 35 lbs.	17.5 lbs. per VESA Plate
Mounting Option	Grommet and Clamp Mounts	Grommet and Clamp Mounts	Grommet and Clamp Mounts	Grommet and Clamp Mounts
360° Lockout Feature	Yes	Yes	Yes	Yes
VESA Compatibility	75mm and 100mm	75mm and 100mm	75mm and 100mm	75mm and 100mm
Pole Height	N/A	N/A	N/A	N/A
Maximum Width per Monitor*	N/A	25"	N/A	25"
Worksurface Clamp Requirements	¾" to 2" Thick	¾" to 2" Thick	¾" to 2" Thick	¾" to 2" Thick
Worksurface Grommet Clamp Requirements	¾" to 2" Thick/Hole Diameter ⅜" to 2"	¾" to 2" Thick/Hole Diameter ⅜" to 2"	¾" to 2" Thick/Hole Diameter ⅜" to 2"	¾" to 2" Thick/Hole Diameter ⅜" to 2"
Environmental Info	94% Recycled Content	94% Recycled Content	94% Recycled Content	94% Recycled Content

\*Use of APACSM Slider Model will allow for wider monitor capabilities

**Pivot Standard Weight Monitor Arms**

- Adaptable and adjustable to user preference the Pivot monitor arm offers a slim and refined design coupled with easy fingertip adjustment.
- Multiple points of adjustment including 360 degree swivel with optional 180 degree lockout, 18.75" extension, and 10" of height adjustment.
- Monitor tilts +25/-25 degrees.
- Standard weight arms utilize a tension spring that allows for effortless adjustment of monitors to proper ergonomic positions.
- Tension adjustment at multiple points allows for proper adjustment for monitors weight between 6-17 lbs.
- Model includes grommet and worksurface mounting options.
- Desk clamp mounts require ¾" –2" thick surfaces; grommet mount requires hole diameter of ⅜" to 2" wide and accommodates up to 2" thick surfaces.
- Integrated cable management included with each model. Black models ship with all black cable management pieces, Silver models ship with grey wire management but optional white pieces ship in the box and can be installed on site.
- Dual monitor arm supports up to 25" wide monitors. Wider monitors may require use of optional slider mount model.
- Pivot arms are VESA 75mm and 100mm compatible.
- Quick release feature simplifies monitor installation and changes.

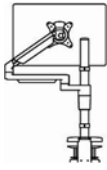
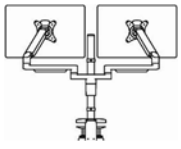
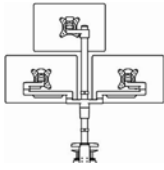
**Pivot Slider Mount**

- Provides 11.8" of horizontal movement.
- Allows for wider monitors to be used on dual monitor arms and sit flush side by side.
- Not compatible with Pivot Heavy Duty Series.

**Pivot Heavy Duty Series**

- Adaptable and adjustable to user preference the Pivot monitor arm offers a slim and refined design coupled with easy fingertip adjustment.
- Multiple points of adjustment including 360 degree swivel with optional 180 degree lockout, 20.75" extension, and 12" of height adjustment.
- Monitor tilts +25/-25 degrees.
- Tension adjustment at multiple points allows for proper adjustment for monitors weight between 8-35 lbs.
- Model includes grommet and worksurface mounting options.
- Desk clamp mounts require ¾" –2" thick surfaces; grommet mount requires hole diameter of ⅜" to 2" wide and accommodates up to 2" thick surfaces.
- Integrated cable management included with each model. Black models ship with all black cable management pieces, Silver models ship with grey wire management but optional white pieces ship in the box and can be installed on site.
- Dual monitor arm supports up to 2 monitors weight 4-17.5 lbs each.
- Pivot arms are VESA 75mm and 100mm compatible.
- Quick release feature simplifies monitor installation and changes.

ACCESSORIES

PIVOT MONITOR ARMS	Dynamic Single Post	Dynamic Dual Post	Triple Fixed Post
Allsteel Model:	APASD	APADD	APATF
			
Features:			
Price	\$628	\$879	\$1110
Colors	Silver	Silver	Silver
Monitor Rotation	180°	180°	180°
Monitor Extension	21"	21"	23"
Monitor Tilt Adjustment	+25°/-25°	+25°/-25°	+25°/-25°
Arm Height Adjustment	10.6"	10.6"	N/A
Weight Capacity	6.2 to 17 lbs.	6.2 to 17 lbs. per Arm	17 lbs. per arm
Mounting Option	Grommet and Clamp Mounts	Grommet and Clamp Mounts	Grommet and Clamp Mounts
360° Lockout Feature	Yes	Yes	Yes
VESA Compatibility	75mm and 100mm	75mm and 100mm	75mm and 100mm
Pole Height	17.7"	17.7"	27.5"
Maximum Width per Monitor*	25"	25"	25"
Worksurface Clamp Requirements	7/8" to 2" Thick	7/8" to 2" Thick	7/8" to 2" Thick
Worksurface Grommet Clamp Requirements	7/8" to 2" Thick/Hole Diameter 3/16" to 2"	7/8" to 2" Thick/Hole Diameter 3/16" to 2"	7/8" to 2" Thick/Hole Diameter 3/16" to 2"
Environmental Info	94% Recycled Content	94% Recycled Content	94% Recycled Content

\*Use of APACSM Slider Model will allow for wider monitor capabilities

### Pivot Post Series

- Adaptable and adjustable to user preference the Pivot monitor arm offers a slim and refined design coupled with easy fingertip adjustment.
- Multiple points of adjustment including 360 degree swivel with 21" extension and 10.6" of height adjustment.
- Monitor tilts +25/-25 degrees.
- Tension adjustment at multiple points allows for proper adjustment for monitors weight between 6.5-17 lbs per arm.
- Model includes grommet and worksurface mounting options.
- Desk clamp mounts require 7/8" – 2" thick surfaces; grommet mount requires hole diameter of 3/16" to 2" wide and accommodates up to 2" thick surfaces.
- Integrated cable management included with each model. Silver color option with grey wire management only.
- Dual monitor arm supports up to 25" wide monitors. Wider monitors may require use of optional slider mount model.
- Single and dual models have a post height of 17.7"; Triple monitor model has a post height of 27.5".
- Pivot arms are VESA 75mm and 100mm compatible.
- Quick release feature simplifies monitor installation and changes.

### Pivot Counterweight Kit

- Counterweight Kit to be used with monitors weighing less than 6 lbs.
- Gray color only.
- Counterweight weighs 1 lb. 6 oz.

### Pivot Conversion Kits

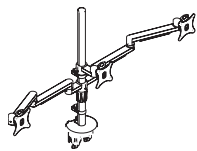
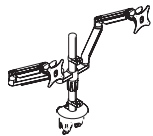
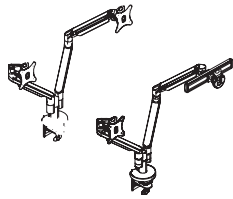
- Kit allows user to transform single monitor arm (Standard, Heavy Duty, or Post) into Dual Arm configuration
- Available in black and silver, Post arm only available in silver
- Required wire management included
- Once assembled, will aesthetically emulate dual configuration of chosen arm

# Accessories — Pivot Monitor Arms

Pivot

For specification information see pages 252-253.

GSA SIN PENDING, GSA SIN 33721



Description	Model	List Price
<b>Pivot Monitor Arms</b>		
Dynamic Single Monitor - Standard Weight	AMASTS <input type="checkbox"/>	\$ 425
Dynamic Single Monitor - Standard Weight for GSA *Silver Only Open for order Fall 2020 – GSA SIN 33721.	AMASTS-G	\$ 502
Dynamic Single Monitor - Heavy Weight	AMASHD <input type="checkbox"/>	\$ 732
Dynamic Dual Monitor with Crossbar	AMADHD <input type="checkbox"/>	\$ 1012
Dynamic Dual Monitor - Standard Weight	AMASD <input type="checkbox"/>	\$ 858
Dynamic Dual Monitor - Standard Weight for GSA *Silver Only **Slider Mount included. Open for order Fall 2020 – GSA SIN 33721.	AMASD-G	\$ 915
Single Dynamic Post Arm *Silver Only	APASD <input type="checkbox"/>	\$ 628
Double Dynamic Post Arm *Silver Only	APADD <input type="checkbox"/>	\$ 879
Triple Fixed Post Mount *Silver Only	APATF <input type="checkbox"/>	\$ 1110

ACCESSORIES

How to specify —  
Select the  
Model Number  
from above.

1st Option:

Select the Color:

SVR Silver  
BLK Black

A | | | | | .

| | | |

Example: AMADHD.BLK

Shippable by small-package carrier.



# Accessories — Pivot Monitor Arms

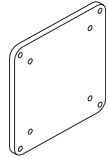
Pivot

For specification information see pages 252-253.

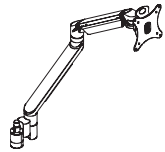
Open Market



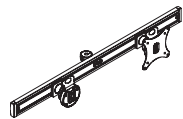
Description	Model	List Price
<b>Pivot Monitor Arms</b>		
Monitor Arm Sliding Mount	APACSM <input type="checkbox"/>	\$ 202



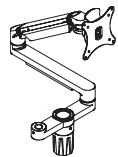
Monitor Arm Counterweight	APACW <input type="checkbox"/>	\$ 47
---------------------------	--------------------------------	-------



Pivot Monitor Arm Standard Single Conversion Kit	AMASTSCK	\$ 477
--	----------	--------



Pivot Monitor Arm Heavy Duty Single Conversion Kit	AMASHDCK	\$ 416
--	----------	--------



Pivot Single Post Arm Conversion Kit	APASDCK	\$ 606
* Silver Only		

ACCESSORIES

<p><b>How to specify —</b> Select the Model Number from above.</p> <p>A           .</p>	<p><b>1st Option:</b> Select the Color:</p> <p>SVR Silver BLK Black</p> <p>       </p>
---	--

Example:

#### Further Laminate Storage

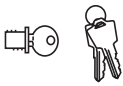



##### Standard Options

- **Random Keying** — The factory will assign key(s) arbitrarily using key numbers from chart below.
- **Omit Lock Core** — The factory will omit lock cores. Removable lock core kits with specific key number must be ordered to facilitate keying alike in the field.

##### Replacing Lock Cores

- Lock must be in the unlocked position.
- Insert core removal key and pull core straight out.
- Insert new core with core removable key, hold core into lock and withdraw core removal key.
- Retain original core for future use.

	Random Keying	Omit Lock Core	Key Numbers	Lock Core Kit	Master Key
Further Laminate Storage	X	X	101E-225E	ALKF23C	AMKF22

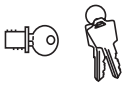



	Description	Model	List Price
	<b>Brushed Chrome Removable Lock Core Kit**</b>	<b>Key Numbers 101E-225E</b>	
	Used on metal and painted wood casegoods product produced after 2/3/97; A980, A990, and A940 Series Vertical Files; Persona Pedestals produced after 8/22/09; Reach Storage units produced after 10/5/09; and Receding Door Overheads produced after 8/1/10. Includes one core, two keys, one core removal tool, adapter and instructions	ALKF23C 	\$ 27
 Open Market	<b>Master Key</b>		
	(One key) Available to authorized dealers only on faxed orders. Will open LKF23C, LKF23CE4, LKF24, LKF25EL, and LKF25E4 locks numbered 101E-225E.	AMKF22 	\$ 28

##### HOW TO ORDER:

**NOTE:** Numbers 101E-225E are available. Orders without numbers specified will be keyed at random.

##### SAMPLE ORDER:

Quantity	Model	Color
6	LKF23C	X121E
1	MKF22	X

	<b>Brushed Chrome Removable Lock Core Kit**</b>	<b>Key Numbers 101N-225N</b>	
	Includes one core, two keys, one core removal tool, adapter and instructions	ALKF23CN 	\$ 27
 Open Market	<b>Master Key*</b>		
	(One key) Available to authorized dealers only on faxed orders. Will open LKF23CN locks numbered 101N-225N.	AMF22 	\$ 28

\*On existing Premium and Asset lateral, use N-Series locks.

\*\* Removable Lock Core Kits are intended for use with Allsteel systems furniture and are approved under GSA SIN 33721. When purchased separately and used without Allsteel systems furniture, those Removable Lock Core Kits marked by (\*\*) are considered Open Market.

 Shippable by small-package carrier.

Desking & Benching – 05/2022

### EASY LOCK PROGRAM

The Allsteel Easy Lock Program simplifies the lock-core ordering process when multiple cores are being specified. The Easy Lock cores can be used with Allsteel storage that currently uses the **ALKF23C** cores (all storage except Receding Door Overheads).

To ensure ease of ordering in different situations the Easy Lock cores can be specified in three different ways — Random, Specified or Sequential.

#### Random Keying

The Random Keying option is provided for instances where there are multiple orders or phases to a project and the offices need to be keyed alike but the key numbering is not required. With the random keying option key numbers are not specified, however, the core kits will be in sequential order from a random starting point.

*Example: There are 15 offices which each have 5 black locks that need to be keyed alike, but the actual key numbers are not important.*

This order would look like: **LKFE5BLK.X.15**

This specifies that 15 5-core kits are needed in black with random key numbers.

#### Specified Keying

The Specified Keying option is provided for the instances where there is a specific key number desired for all of the cores ordered.

*Example: There are 10 offices which each have 2 silver locks that need to be keyed-alike with key number 202.*

This order would look like: **LKFE2SLV.X202.10**

This specifies that 10 2-core kits are needed in silver with key number 202.

#### Sequential Keying

Allsteel Sequential Keying option is provided for the instances when there are multiple orders or phases to a project and it is imperative that key numbers are not duplicated.

*Example: A multiple phase project has 60 total offices — 40 offices in Phase I, and 20 offices in Phase II. The project manager has expressed a need to have keyed-alike offices but doesn't want any of the offices to use the same key numbers.*

*The first 40 offices have 4 silver locks each that need to be keyed-alike.*

This order would look like: **LKFE4SLV.SEQ/101.40**

This specifies that 40 4-core kits are needed in silver and the starting number is 101.

*The second set of 20 offices only have 3 silver locks each that need to be keyed-alike; and it is important which key number starts off the sequence to ensure that no key number is duplicated. It is known that the first key range was key numbers 101-140.*

The second order would look like: **LKFE3SLV.SEQ/141.20**

This specifies that 20 3-core kits are needed in silver and key sequence has to start at key number 141.

#### HOW TO ORDER:

Numbers 101-225 are available. Orders without key numbers specified will be keyed at random.

SAMPLE ORDER FOR EXAMPLES GIVEN:

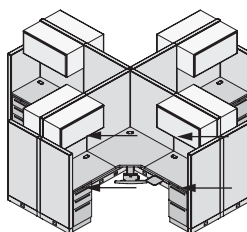
Model	Key Type	Quantity
LKFE5BLK.	X.	15
LKFE2SLV.	X202.	10
LKFE4SLV.	SEQ/101.	40
LKFE3SLV.	SEQ/141.	20

**NOTE:** Quantity required is last number in model.option string.

Description	Model / Color	List Price
<b>Easy Lock Lock-Core</b>		
Lock Core Kit — 1 core, 2 keys	LKFE1 _____	\$ 27
Lock Core Kit — 2 cores, 2 keys	LKFE2 _____	\$ 56
Lock Core Kit — 3 cores, 2 keys	LKFE3 _____	\$ 83
Lock Core Kit — 4 cores, 2 keys	LKFE4 _____	\$ 111
Lock Core Kit — 5 cores, 2 keys	LKFE5 _____	\$ 139
Lock Core Kit — 6 cores, 2 keys	LKFE6 _____	\$ 167
Lock Core Kit — 7 cores, 2 keys	LKFE7 _____	\$ 195
Lock Core Kit — 8 cores, 2 keys	LKFE8 _____	\$ 223
Add color suffix to model: <b>SLV</b> Silver, <b>BLK</b> Black, <b>MTS</b> Matte Silver		
<b>Note:</b> One core removal key minimum per order. One additional core removal key per 25 lock-cores will be shipped.		
<b>Master Key</b>		
(One key) Available to authorized dealers only on faxed orders.		
	AMKF22	\$ 28

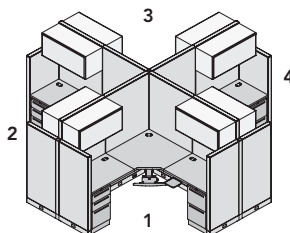
#### How to specify using Easy Lock Program:

**Step 1** — Count the number of lock cores and color required in each workstation that need to be keyed alike.



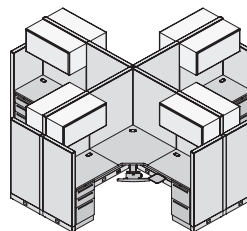
2 overheads with 1 lock-core each = 2  
 2 pedestals with 1 lock-core each = 2  
**Total silver lock-cores per station = 4**

**Step 2** — Count the total number of workstations needing 4 lock-cores.



**4 total workstations**

**Step 3** — Specify model number based on total number of lock-cores in a station and quantity of kits based on number of workstations.



**LKFE4SLV.X.4**  
 Lock-Cores per station  
 Color of Core  
 Number of workstations

Description	Model	P1 Paint List Price	P2 Paint List Price	P3 Paint List Price
<b>Touch-Up Paint — Brush</b>				
Bottle of Touch-Up Paint with Brush — 0.5 oz.	APTK <span style="border: 1px solid black; padding: 0 2px;">S</span>	\$ 90	\$ 100	\$ 107
<b>Touch-Up Paint — Spray</b>				
Spray Can of Touch-Up Paint — 12 oz.	ARSLCC <span style="border: 1px solid black; padding: 0 2px;">S</span>	\$ 90	\$ 100	\$ 107

**How to specify —**  
Select the Model Number from above.

A | | | | | | | | | | .

**1st Option:**

**Paint Color:**

P1 P2 P3

See available Touch-Up Paint colors listed above. Some colors are limited to brush or spray.

| | | | | | | | | |

Examples: APTK.P02 ARSLCC.P02

S Shippable by small-package carrier.

FSC Certified Wood at Allsteel

Allsteel has received FSC Chain of Custody certification from Scientific Certification Systems (SCS) and can now offer FSC certified products. Forest Stewardship Council (FSC) certification is intended to promote the sustainable harvesting of forests worldwide by setting requirements for the forest and everyone who handles the wood from forest to product. Certification provides a Chain of Customer number that we will pass on to customers who are pursuing LEED certification or who want to ensure that materials used to manufacture our wood products come from a well-managed forest. For more information, please contact Customer Support at 888-255-7833.

Load Capacity for Laminate Wood: Nitch, Horizontal Storage, Pedestals, Mobile Credenzas, and Towers

Product Description	Style	Depth	10"W	12"W	15½"W	24"W	30"W	36"W	42"W	48"W	54"W	60"W	72"W	
7½"H Nitch	Open	15"D				36 lbs.	45 lbs.	54 lbs.	63 lbs.					
Horizontal	Open — Single Sided	15"D				81 lbs.	102 lbs.	122 lbs.						
	Open — Dual Sided	16"D				79 lbs.	99 lbs.	120 lbs.	140 lbs.	161 lbs.	181 lbs.	202 lbs.	243 lbs.	
	Sliding Door — Single Sided	15"D				74 lbs.	94 lbs.	113 lbs.	133 lbs.	152 lbs.	171 lbs.	191 lbs.		
	Sliding Door — Dual Sided	16"D				68 lbs.	85 lbs.	103 lbs.	121 lbs.	138 lbs.	156 lbs.	174 lbs.	209 lbs.	
Pedestal	Open Support	21"D	72 lbs.											
	Open Support w/Bin Left	27"D	79 lbs.											
	Open Support w/Bin Right	27"D	79 lbs.											
	Box Pull-Out Drawer	21"D			10 lbs.				124 lbs.					
		27"D			10 lbs.									
	File Pull-Out Drawer	21"D			35 lbs.									
		27"D			44 lbs.									
Shelf Pull-Out Drawer	21"D			10 lbs.										
	27"D			10 lbs.										
Credenza	Mobile with Hinged Door Left				10 lbs.									
	Mobile with Hinged Door Right	15"D						124 lbs.						
Tower	42½"H Wardrobe Section	21"D		40 lbs.										
		27"D		53 lbs.										
	50"H Wardrobe Section	21"D		68 lbs.										
		27"D		90 lbs.										
	Tower Drawer	21"D		40 lbs.										
		27"D		53 lbs.										

Quantity of Locks for Laminate Wood: Horizontal Storage, Pedestals, Mobile Credenzas, and Towers

NOTE: Open units and shelves are non-locking and are therefore not included in the list below.

Product Description	Style	Depth	10"W	12"W	15½"W	24"W	30"W	36"W	42"W	48"W	54"W	60"W	72"W
Horizontal	Sliding Door — Single Sided	15"D				1 lock	1 lock	1 lock	1 lock	1 lock	1 lock	1 lock	
	Sliding Door — Dual Sided	16"D				2 locks	2 locks	2 locks	2 locks	2 locks	2 locks	2 locks	2 locks
Pedestal	Pull-Out Drawer Support	21"D			1 lock								
		27"D			1 lock								
Credenza	Mobile with Hinged Door Left	15"D						1 lock					
	Mobile with Hinged Door Right	15"D						1 lock					
Tower	42½"H Wardrobe Section	21"D		1 lock									
		27"D		1 lock									
	50"H Wardrobe Section	21"D		1 lock									
		27"D		1 lock									

Interior Dimensions for Nitch, Horizontal Storage, Pedestals, Credenzas, and Towers

Description	Height	Depth	Width	Description	Height	Depth	Width
<b>NITCH</b>				<b>42"H TOWERS</b>			
24"W	5 <sup>7</sup> / <sub>8</sub> "	12 <sup>3</sup> / <sub>4</sub> "	11 <sup>5</sup> / <sub>8</sub> "	21"D SA Bottom Shelf	5 <sup>1</sup> / <sub>2</sub> "	19 <sup>3</sup> / <sub>8</sub> "	11 <sup>1</sup> / <sub>8</sub> "
30"W	5 <sup>7</sup> / <sub>8</sub> "	14 <sup>7</sup> / <sub>8</sub> "	14 <sup>5</sup> / <sub>8</sub> "	21"D SA Top Shelf	5 <sup>1</sup> / <sub>2</sub> "	19 <sup>3</sup> / <sub>8</sub> "	10 <sup>5</sup> / <sub>8</sub> "
36"W	5 <sup>7</sup> / <sub>8</sub> "	14 <sup>7</sup> / <sub>8</sub> "	17 <sup>7</sup> / <sub>8</sub> "	21"D Drawer Bottom	12 <sup>3</sup> / <sub>8</sub> "	18 <sup>3</sup> / <sub>8</sub> "	7 <sup>7</sup> / <sub>8</sub> "
42"W Side Cavities	5 <sup>7</sup> / <sub>8</sub> "	14 <sup>7</sup> / <sub>8</sub> "	13 <sup>3</sup> / <sub>4</sub> "	21"D Drawer Back	19 <sup>3</sup> / <sub>8</sub> "	5 <sup>3</sup> / <sub>8</sub> "	7 <sup>7</sup> / <sub>8</sub> "
42"W Center Cavity	5 <sup>7</sup> / <sub>8</sub> "	14 <sup>7</sup> / <sub>8</sub> "	13 <sup>3</sup> / <sub>8</sub> "	21"D Drawer Shelf	4 <sup>1</sup> / <sub>4</sub> "	5 <sup>3</sup> / <sub>8</sub> "	7"
<b>HORIZONTAL STORAGE</b>				<b>50"H TOWERS</b>			
24"W Open	13 <sup>3</sup> / <sub>8</sub> "	14 <sup>7</sup> / <sub>8</sub> "	23 <sup>3</sup> / <sub>4</sub> "	27"D SA Bottom Shelf	5 <sup>1</sup> / <sub>2</sub> "	25 <sup>3</sup> / <sub>8</sub> "	11 <sup>1</sup> / <sub>8</sub> "
30"W Open	13 <sup>3</sup> / <sub>8</sub> "	14 <sup>7</sup> / <sub>8</sub> "	29 <sup>3</sup> / <sub>4</sub> "	27"D SA Top Shelf	5 <sup>1</sup> / <sub>2</sub> "	25 <sup>3</sup> / <sub>8</sub> "	10 <sup>5</sup> / <sub>8</sub> "
36"W Open	13 <sup>3</sup> / <sub>8</sub> "	14 <sup>7</sup> / <sub>8</sub> "	35 <sup>3</sup> / <sub>4</sub> "	27"D Drawer Bottom	12 <sup>3</sup> / <sub>8</sub> "	24 <sup>3</sup> / <sub>8</sub> "	7 <sup>7</sup> / <sub>8</sub> "
24"W Slider	13 <sup>3</sup> / <sub>8</sub> "	14 <sup>1</sup> / <sub>8</sub> "	11 <sup>1</sup> / <sub>2</sub> "	27"D Drawer Back	19 <sup>3</sup> / <sub>8</sub> "	11 <sup>3</sup> / <sub>8</sub> "	7 <sup>7</sup> / <sub>8</sub> "
30"W Slider	13 <sup>3</sup> / <sub>8</sub> "	14 <sup>1</sup> / <sub>8</sub> "	14 <sup>1</sup> / <sub>2</sub> "	27"D Drawer Shelf	4 <sup>1</sup> / <sub>4</sub> "	11 <sup>3</sup> / <sub>8</sub> "	7"
36"W Slider	13 <sup>3</sup> / <sub>8</sub> "	14 <sup>1</sup> / <sub>8</sub> "	17 <sup>1</sup> / <sub>2</sub> "	<b>50"H TOWERS</b>			
42"W Slider	13 <sup>3</sup> / <sub>8</sub> "	14 <sup>1</sup> / <sub>8</sub> "	20 <sup>1</sup> / <sub>2</sub> "	21"D SA Bottom Shelf	4 <sup>1</sup> / <sub>8</sub> "	19 <sup>3</sup> / <sub>8</sub> "	11 <sup>1</sup> / <sub>8</sub> "
48"W Slider	13 <sup>3</sup> / <sub>8</sub> "	14 <sup>1</sup> / <sub>8</sub> "	23 <sup>1</sup> / <sub>2</sub> "	21"D SA Top Shelf	14 <sup>1</sup> / <sub>4</sub> "	19 <sup>3</sup> / <sub>8</sub> "	10 <sup>5</sup> / <sub>8</sub> "
54"W Slider	13 <sup>3</sup> / <sub>8</sub> "	14 <sup>1</sup> / <sub>8</sub> "	26 <sup>1</sup> / <sub>2</sub> "	21"D Drawer Bottom	12 <sup>3</sup> / <sub>8</sub> "	18 <sup>3</sup> / <sub>8</sub> "	7 <sup>7</sup> / <sub>8</sub> "
60"W Slider	13 <sup>3</sup> / <sub>8</sub> "	14 <sup>1</sup> / <sub>8</sub> "	29 <sup>1</sup> / <sub>2</sub> "	21"D Drawer Back	19 <sup>3</sup> / <sub>8</sub> "	5 <sup>3</sup> / <sub>8</sub> "	7 <sup>7</sup> / <sub>8</sub> "
24"W Shared Open	13 <sup>3</sup> / <sub>8</sub> "	14 <sup>7</sup> / <sub>8</sub> "	11 <sup>1</sup> / <sub>2</sub> "	21"D Drawer Shelf	4 <sup>1</sup> / <sub>4</sub> "	5 <sup>3</sup> / <sub>8</sub> "	7"
30"W Shared Open	13 <sup>3</sup> / <sub>8</sub> "	14 <sup>7</sup> / <sub>8</sub> "	14 <sup>1</sup> / <sub>2</sub> "	27"D SA Bottom Shelf	4 <sup>1</sup> / <sub>8</sub> "	25 <sup>3</sup> / <sub>8</sub> "	11 <sup>1</sup> / <sub>8</sub> "
36"W Shared Open	13 <sup>3</sup> / <sub>8</sub> "	14 <sup>7</sup> / <sub>8</sub> "	17 <sup>1</sup> / <sub>2</sub> "	27"D SA Top Shelf	14 <sup>1</sup> / <sub>4</sub> "	25 <sup>3</sup> / <sub>8</sub> "	10 <sup>5</sup> / <sub>8</sub> "
42"W Shared Open	13 <sup>3</sup> / <sub>8</sub> "	14 <sup>7</sup> / <sub>8</sub> "	20 <sup>1</sup> / <sub>2</sub> "	27"D Drawer Bottom	12 <sup>3</sup> / <sub>8</sub> "	24 <sup>3</sup> / <sub>8</sub> "	7 <sup>7</sup> / <sub>8</sub> "
48"W Shared Open	13 <sup>3</sup> / <sub>8</sub> "	14 <sup>7</sup> / <sub>8</sub> "	23 <sup>1</sup> / <sub>2</sub> "	27"D Drawer Back	19 <sup>3</sup> / <sub>8</sub> "	11 <sup>3</sup> / <sub>8</sub> "	7 <sup>7</sup> / <sub>8</sub> "
54"W Shared Open	13 <sup>3</sup> / <sub>8</sub> "	14 <sup>7</sup> / <sub>8</sub> "	26 <sup>1</sup> / <sub>2</sub> "	27"D Drawer Shelf	4 <sup>1</sup> / <sub>4</sub> "	11 <sup>3</sup> / <sub>8</sub> "	7"
60"W Shared Open	13 <sup>3</sup> / <sub>8</sub> "	14 <sup>7</sup> / <sub>8</sub> "	29 <sup>1</sup> / <sub>2</sub> "	Tower File Hanger	11 <sup>1</sup> / <sub>4</sub> "	12 <sup>3</sup> / <sub>4</sub> "	7 <sup>7</sup> / <sub>8</sub> "
66"W Shared Open	13 <sup>3</sup> / <sub>8</sub> "	14 <sup>7</sup> / <sub>8</sub> "	32 <sup>1</sup> / <sub>2</sub> "	(Same for all Towers)			
72"W Shared Open	13 <sup>3</sup> / <sub>8</sub> "	14 <sup>7</sup> / <sub>8</sub> "	35 <sup>1</sup> / <sub>2</sub> "				
24"W Shared Slider	13 <sup>3</sup> / <sub>8</sub> "	12 <sup>7</sup> / <sub>8</sub> "	11 <sup>1</sup> / <sub>2</sub> "				
30"W Shared Slider	13 <sup>3</sup> / <sub>8</sub> "	12 <sup>7</sup> / <sub>8</sub> "	14 <sup>1</sup> / <sub>2</sub> "				
36"W Shared Slider	13 <sup>3</sup> / <sub>8</sub> "	12 <sup>7</sup> / <sub>8</sub> "	17 <sup>1</sup> / <sub>2</sub> "				
42"W Shared Slider	13 <sup>3</sup> / <sub>8</sub> "	12 <sup>7</sup> / <sub>8</sub> "	20 <sup>1</sup> / <sub>2</sub> "				
48"W Shared Slider	13 <sup>3</sup> / <sub>8</sub> "	12 <sup>7</sup> / <sub>8</sub> "	23 <sup>1</sup> / <sub>2</sub> "				
54"W Shared Slider	13 <sup>3</sup> / <sub>8</sub> "	12 <sup>7</sup> / <sub>8</sub> "	26 <sup>1</sup> / <sub>2</sub> "				
60"W Shared Slider	13 <sup>3</sup> / <sub>8</sub> "	12 <sup>7</sup> / <sub>8</sub> "	29 <sup>1</sup> / <sub>2</sub> "				
66"W Shared Slider	13 <sup>3</sup> / <sub>8</sub> "	12 <sup>7</sup> / <sub>8</sub> "	32 <sup>1</sup> / <sub>2</sub> "				
72"W Shared Slider	13 <sup>3</sup> / <sub>8</sub> "	12 <sup>7</sup> / <sub>8</sub> "	35 <sup>1</sup> / <sub>2</sub> "				
<b>PEDESTALS</b>							
Open — Bottom Shelf	12 <sup>3</sup> / <sub>8</sub> "	19 <sup>3</sup> / <sub>4</sub> "	8 <sup>3</sup> / <sub>8</sub> "				
Open — Top Shelf	12 <sup>3</sup> / <sub>8</sub> "	20 <sup>1</sup> / <sub>8</sub> "	8 <sup>3</sup> / <sub>8</sub> "				
Side Access — Bottom Shelf	12 <sup>3</sup> / <sub>8</sub> "	12 <sup>7</sup> / <sub>8</sub> "	8 <sup>3</sup> / <sub>8</sub> "				
Side Access — Top Shelf	12 <sup>3</sup> / <sub>8</sub> "	12 <sup>1</sup> / <sub>2</sub> "	8 <sup>3</sup> / <sub>8</sub> "				
Side Access — Back Area	26 <sup>1</sup> / <sub>8</sub> "	12 <sup>3</sup> / <sub>4</sub> "	9 <sup>1</sup> / <sub>8</sub> "				
Pull-Out Drawer — Shelf	4"	12 <sup>3</sup> / <sub>8</sub> "	14 <sup>1</sup> / <sub>8</sub> "				
Pull-Out Drawer — Box	2 <sup>3</sup> / <sub>4</sub> "	14 <sup>1</sup> / <sub>2</sub> "	12 <sup>1</sup> / <sub>8</sub> "				
21"D Pull-Out Drawer — File	9 <sup>1</sup> / <sub>8</sub> "	14 <sup>1</sup> / <sub>2</sub> "	12 <sup>1</sup> / <sub>8</sub> "				
27"D Pull-Out Drawer — File	9 <sup>1</sup> / <sub>8</sub> "	19"	12 <sup>1</sup> / <sub>8</sub> "				
<b>CREDENZAS</b>							
Bottom Shelf	10 <sup>1</sup> / <sub>4</sub> "	14 <sup>3</sup> / <sub>8</sub> "	22 <sup>3</sup> / <sub>8</sub> "				
Top Shelf	4 <sup>3</sup> / <sub>4</sub> "	13 <sup>5</sup> / <sub>8</sub> "	22 <sup>3</sup> / <sub>8</sub> "				
Cubby	15 <sup>1</sup> / <sub>2</sub> "	14 <sup>3</sup> / <sub>8</sub> "	11 <sup>1</sup> / <sub>4</sub> "				

Model Number	Description	Grade G	Grade H	Grade J
<b>Elevated Table Mounted Screen</b> — see page <a href="#">111</a>				
U6TTS1330F	13"H x 30"W Screen	\$ 1051	\$ 1121	\$ 1190
U6TTS1336F	13"H x 36"W Screen	\$ 1097	\$ 1171	\$ 1245
U6TTS1342F	13"H x 42"W Screen	\$ 1176	\$ 1261	\$ 1347
U6TTS1348F	13"H x 48"W Screen	\$ 1257	\$ 1356	\$ 1455
U6TTS1354F	13"H x 54"W Screen	\$ 1343	\$ 1454	\$ 1565
U6TTS1360F	13"H x 60"W Screen	\$ 1442	\$ 1565	\$ 1688
<hr/>				
U6TTS2030F	20½"H x 30"W Screen	\$ 1251	\$ 1348	\$ 1444
U6TTS2036F	20½"H x 36"W Screen	\$ 1349	\$ 1466	\$ 1583
U6TTS2042F	20½"H x 42"W Screen	\$ 1451	\$ 1587	\$ 1723
U6TTS2048F	20½"H x 48"W Screen	\$ 1587	\$ 1742	\$ 1897
U6TTS2054F	20½"H x 54"W Screen	\$ 1734	\$ 1908	\$ 2082
U6TTS2060F	20½"H x 60"W Screen	\$ 1854	\$ 2048	\$ 2243
<hr/>				
<b>Stride Tackable Fabric Lateral Screens</b> — see page <a href="#">117</a>				
Z6BL0827F	8"H x 27"D Screen	\$ 804	\$ 830	\$ 855
Z6BL0830F	8"H x 30"D Screen	\$ 834	\$ 862	\$ 891
Z6BL0836F	8"H x 36"D Screen	\$ 931	\$ 964	\$ 997
<hr/>				
Z6BL1327F	13"H x 27"D Screen	\$ 885	\$ 923	\$ 961
Z6BL1330F	13"H x 30"D Screen	\$ 921	\$ 963	\$ 1006
Z6BL1336F	13"H x 36"D Screen	\$ 1031	\$ 1081	\$ 1132
<hr/>				
<b>Stride Tackable Fabric Accessory for Cantilever Storage</b> — see page <a href="#">172</a>				
ZS42SF	for use w/ 42½"H unit	\$ 695	\$ 772	\$ 849
ZS50SF	for use w/ 50"H unit	\$ 915	\$ 1034	\$ 1152

Model Number	Description	Grade G	Grade H	Grade J
<b>Altitude® A8 Screen Kits</b> — see page <a href="#">229</a>				
FDSC48U	48"W	\$ 2009	\$ 2031	\$ 2086
FDSC54U	54"W	\$ 2078	\$ 2101	\$ 2159
FDSC60U	60"W	\$ 2140	\$ 2164	\$ 2223
FDSC66U	66"W	\$ 2267	\$ 2292	\$ 2356
FDSC72U	72"W	\$ 2440	\$ 2467	\$ 2536
<hr/>				
FDSC48LL	48"W	\$ 1293	\$ 1306	\$ 1338
FDSC48LR	48"W	\$ 1293	\$ 1306	\$ 1338
FDSC54LL	54"W	\$ 1517	\$ 1533	\$ 1571
FDSC54LR	54"W	\$ 1517	\$ 1533	\$ 1571
FDSC60LL	60"W	\$ 1588	\$ 1604	\$ 1645
FDSC60LR	60"W	\$ 1588	\$ 1604	\$ 1645
FDSC66LL	66"W	\$ 1904	\$ 1925	\$ 1978
FDSC66LR	66"W	\$ 1904	\$ 1925	\$ 1978
FDSC72LL	72"W	\$ 2006	\$ 2029	\$ 2084
FDSC72LR	72"W	\$ 2006	\$ 2029	\$ 2084
<hr/>				
FDSC48R	48"W	\$ 1249	\$ 1262	\$ 1293
FDSC54R	54"W	\$ 1280	\$ 1293	\$ 1325
FDSC60R	60"W	\$ 1378	\$ 1392	\$ 1426
FDSC66R	66"W	\$ 1593	\$ 1611	\$ 1654
FDSC72R	72"W	\$ 1698	\$ 1716	\$ 1762









# Cross Reference Index

by Model Number

Model	Page	Model	Page	Model	Page	Model	Page	Model	Page
AWS2639USF.....	46	FDSC54LL.....	229	G2275G.....	167	G3572.....	164	G22135G.....	167
AWS2643USF.....	46	FDSC54LR.....	229	G2278.....	161	G3572G.....	170	G22141.....	161
AWS2649USF.....	46	FDSC54R.....	229	G2278G.....	167	G3575.....	164	G22141G.....	167
AWS2655USF.....	46	FDSC54U.....	229	G2281.....	161	G3575G.....	170	G22147.....	161
AWS2661USF.....	46	FDSC60LL.....	229	G2281G.....	167	G3578.....	164	G22147G.....	167
AWS2667USF.....	46	FDSC60LR.....	229	G2284.....	161	G3578G.....	170	G40715GS.....	174
AWS3425USF.....	46	FDSC60R.....	229	G2284G.....	167	G3581.....	164	G40718GS.....	174
AWS3427USF.....	46	FDSC60U.....	229	G2287.....	161	G3581G.....	170	G40721GS.....	174
AWS3430USF.....	46	FDSC66LL.....	229	G2287G.....	167	G3584.....	164	G40724GS.....	174
AWS3431USF.....	46	FDSC66LR.....	229	G2293.....	161	G3584G.....	170	G40727GS.....	174
AWS3433USF.....	46	FDSC66R.....	229	G2293G.....	167	G4233.....	165	G40730GS.....	174
AWS3437USF.....	46	FDSC66U.....	229	G2299.....	161	G4233G.....	171	G40733GS.....	174
AWS3439USF.....	46	FDSC72LL.....	229	G2299G.....	167	G4236.....	165	G40736GS.....	174
AWS3443USF.....	46	FDSC72LR.....	229	G3033.....	163	G4236G.....	171	G40739GS.....	174
AWS3449USF.....	46	FDSC72R.....	229	G3033G.....	169	G4239.....	165	G40742GS.....	174
AWS3455USF.....	46	FDSC72U.....	229	G3036.....	163	G4239G.....	171	G40745GS.....	174
AWS3461USF.....	46	FDSC72U.....	229	G3036G.....	169	G4242.....	165	G40748GS.....	174
AWS3467USF.....	46	FDSC72U.....	229	G3039.....	163	G4242G.....	171	G40751GS.....	174
AWS4127USF.....	46	FDSC72U.....	229	G3039G.....	169	G4245.....	165	G40754GS.....	174
AWS4130USF.....	46	FDSC72U.....	229	G3042.....	163	G4245G.....	171	G40757GS.....	174
AWS4133USF.....	46	FDSC72U.....	229	G3042G.....	169	G4248.....	165	G40760GS.....	174
AWS4139USF.....	46	FDSC72U.....	229	G3045.....	163	G4248G.....	171	G40763GS.....	174
CFDPWRC.....	232	FDSC72U.....	229	G3045G.....	169	G4251.....	165	G40766GS.....	174
CFDPWRSC.....	232	FDSC72U.....	229	G3048.....	163	G4251G.....	171	G40769GS.....	174
CMT24.....	208	FDSC72U.....	229	G3048G.....	169	G4254.....	165	G40772GS.....	174
CMT36.....	208	FDSC72U.....	229	G3051.....	163	G4254G.....	171	G40775GS.....	174
CSDC19.....	246	FDSC72U.....	229	G3051G.....	169	G4257.....	165	G40778GS.....	174
CSDC25.....	246	FDSC72U.....	229	G3054.....	163	G4257G.....	171	G40781GS.....	174
EAAC.....	245	FDSC72U.....	229	G3054G.....	169	G4260.....	165	G41324GS.....	175
EABS.....	245	FDSC72U.....	229	G3057.....	163	G4260G.....	171	G41327GS.....	175
EACS.....	245	FDSC72U.....	229	G3057G.....	169	G4263.....	165	G41330GS.....	175
EADH.....	245	FDSC72U.....	229	G3060.....	163	G4263G.....	171	G41333GS.....	175
EAFS.....	245	FDSC72U.....	229	G3060G.....	169	G4266.....	165	G41336GS.....	175
EAFU.....	245	FDSC72U.....	229	G3063.....	163	G4266G.....	171	G41339GS.....	175
EAHSR36.....	244	FDSC72U.....	229	G3063G.....	169	G4269.....	165	G41342GS.....	175
EAHSR42.....	244	FDSC72U.....	229	G3066.....	163	G4269G.....	171	G41345GS.....	175
EAHSR48.....	244	FDSC72U.....	229	G3066G.....	169	G4272.....	165	G41348GS.....	175
EAHSR60.....	244	FDSC72U.....	229	G3069.....	163	G4272G.....	171	G41351GS.....	175
EAHSR66.....	244	FDSC72U.....	229	G3069G.....	169	G4275.....	165	G41354GS.....	175
EAHSR72.....	244	FDSC72U.....	229	G3072.....	163	G4275G.....	171	G41357GS.....	175
EAPC.....	245	FDSC72U.....	229	G3072G.....	169	G4278.....	165	G41360GS.....	175
EAPS.....	245	FDSC72U.....	229	G3075.....	163	G4278G.....	171	G41363GS.....	175
EAPT.....	245	FDSC72U.....	229	G3075G.....	169	G4281.....	165	G41366GS.....	175
EASR24.....	244	FDSC72U.....	229	G3078.....	163	G4281G.....	171	G41369GS.....	175
EASR30.....	244	FDSC72U.....	229	G3078G.....	169	G4284.....	165	G41372GS.....	175
EASR36.....	244	FDSC72U.....	229	G3081.....	163	G4284G.....	171	G41375GS.....	175
EASR42.....	244	FDSC72U.....	229	G3081G.....	169	G5033.....	166	G41378GS.....	175
EASR48.....	244	FDSC72U.....	229	G3084.....	163	G5036.....	166	G41381GS.....	175
EASR60.....	244	FDSC72U.....	229	G3084G.....	169	G5039.....	166	G41515GS.....	176
EASS.....	245	FDSC72U.....	229	G3533.....	164	G5042.....	166	G41518GS.....	176
EATS.....	245	FDSC72U.....	229	G3533G.....	170	G5045.....	166	G41521GS.....	176
FBRZPWM.....	38	FDSC72U.....	229	G3536.....	164	G5048.....	166	G41524GS.....	176
FDEPC2.....	232	FDSC72U.....	229	G3536G.....	170	G5051.....	166	G41527GS.....	176
FDEPC12.....	232	FDSC72U.....	229	G3539.....	164	G5054.....	166	G41530GS.....	176
FDNYE3CIRK.....	226	FDSC72U.....	229	G3539G.....	170	G5057.....	166	G41533GS.....	176
FDNYE4CIRK.....	226	FDSC72U.....	229	G3542.....	164	G5060.....	166	G41536GS.....	176
FDNYM3CIRK48K.....	226	FDSC72U.....	229	G3542G.....	170	G5063.....	166	G41539GS.....	176
FDNYM3CIRK54K.....	226	FDSC72U.....	229	G3545.....	164	G5066.....	166	G41542GS.....	176
FDNYM3CIRK60K.....	226	FDSC72U.....	229	G3545G.....	170	G5069.....	166	G41545GS.....	176
FDNYM3CIRK66K.....	226	FDSC72U.....	229	G3548.....	164	G5072.....	166	G41548GS.....	176
FDNYM3CIRK72K.....	226	FDSC72U.....	229	G3548G.....	170	G5075.....	166	G41551GS.....	176
FDNYM4CIRK48K.....	226	FDSC72U.....	229	G3551.....	164	G5078.....	166	G41554GS.....	176
FDNYM4CIRK54K.....	226	FDSC72U.....	229	G3551G.....	170	G5081.....	166	G41557GS.....	176
FDNYM4CIRK60K.....	226	FDSC72U.....	229	G3554.....	164	G5084.....	166	G41560GS.....	176
FDNYM4CIRK66K.....	226	FDSC72U.....	229	G3554G.....	170	G22105.....	161	G41563GS.....	176
FDNYM4CIRK72K.....	226	FDSC72U.....	229	G3557.....	164	G22105G.....	167	G41566GS.....	176
FDPWRC.....	232	FDSC72U.....	229	G3557G.....	170	G22111.....	161	G41569GS.....	176
FDPWRSC.....	232	FDSC72U.....	229	G3560.....	164	G22111G.....	167	G41572GS.....	176
FDRWEC.....	232	FDSC72U.....	229	G3560G.....	170	G22117.....	161	G41575GS.....	176
FDRWLEG.....	232	FDSC72U.....	229	G3563.....	164	G22117G.....	167	G41578GS.....	176
FDRWUC.....	232	FDSC72U.....	229	G3563G.....	170	G22123.....	161	G41581GS.....	176
FDSC48LL.....	229	FDSC72U.....	229	G3566.....	164	G22123G.....	167	GFCKA.....	172
FDSC48LR.....	229	FDSC72U.....	229	G3566G.....	170	G22129.....	161	GFCKLH.....	172
FDSC48R.....	229	FDSC72U.....	229	G3569.....	164	G22129G.....	167	GFCKSH.....	172
FDSC48U.....	229	FDSC72U.....	229	G3569G.....	170	G22135.....	161	GS2281.....	162

# Cross Reference Index

by Model Number

Model	Page	Model	Page	Model	Page	Model	Page	Model	Page
GS2281G	168	SAFILLERKIT61	47	SF2630P	39	SW2846NFS	35	U5F18E45RR	80
GS2287	162	SAFILLERKIT67	47	SF2636P	39	SW2852NE	36	U5F18E51RL	80
GS2287G	168	SAFILLERKIT79	47	SF2642P	39	SW2852NFR	35	U5F18E51RR	80
GS2293	162	SAFILLERKITNF	47	SF2648P	39	SW2852NFS	35	U5F27S2844TL	80
GS2293G	168	SAHANGER	47	SF2654P	39	SW2858DE	36	U5F27S2844TR	80
GS2299	162	SAPLANTER24	48	SF2660P	39	SW2858DFR	35	U5F27S3450TL	80
GS2299G	168	SAS0630W	48	SF2666P	39	SW2858DFS	35	U5F27S3450TR	80
GS22105	162	SAS0636W	48	SF2672P	39	SW2864DE	36	U5F27S4056TL	80
GS22105G	168	SAS0642W	48	SF2684P	39	SW2864DFR	35	U5F27S4056TR	80
GS22111	162	SAS0648W	48	SF3430P	39	SW2864DFS	35	U5F27S4662TL	80
GS22111G	168	SAS0654W	48	SF3436P	39	SW2870DE	36	U5F27S4662TR	80
GS22117	162	SAS0660W	48	SF3442P	39	SW2870DFR	35	U5F27S5268TL	80
GS22117G	168	SAS0666W	48	SF3448P	39	SW2870DFS	35	U5F27S5268TR	80
GS22123	162	SAS0672W	48	SF3454P	39	SW2946NE	36	U5F27S5874TL	80
GS22123G	168	SAS0684W	48	SF3460P	39	SW2946NFR	35	U5F27S5874TR	80
GS22129	162	SATRAY	48	SF3466P	39	SW2946NFS	35	U5F27S6480TL	80
GS22129G	168	SC12LS	34	SF3472P	39	SW2952NE	36	U5F27S6480TR	80
GS22135	162	SC12SFF	34	SF3484P	39	SW2952NFR	35	U5F27S7086TL	80
GS22135G	168	SC12SS	34	SF4130P	39	SW2952NFS	35	U5F27S7086TR	80
GS22141	162	SC12TF	34	SF4136P	39	SW2958DE	36	U5F27S7692TL	80
GS22141G	168	SC12TS	34	SF4142P	39	SW2958DFR	35	U5F27S7692TR	80
GS22147	162	SC12XF	34	SF4148P	39	SW2958DFS	35	U5F2130S	79
GS22147G	168	SC12XS	34	SF4154P	39	SW2964DE	36	U5F2136S	79
GS870924	249	SC12YF	34	SF4160P	39	SW2964DFR	35	U5F2142S	79
GS870930	249	SC12YS2	34	SF4166P	39	SW2964DFS	35	U5F2148S	79
GS870948	249	SC12YS3	34	SF4172P	39	SW2970DE	36	U5F2154S	79
GS870960	249	SC22ETE	33	SF4184P	39	SW2970DFR	35	U5F2160S	79
GSCCKP	172	SC22ETS	33	SINSTALL	48	SW2970DFS	35	U5F2166S	79
GSCCKPMD	172	SCB24DS	37	SKITD	37	T612FB	87	U5F2172S	79
GSCCKPMS	172	SCB24SS	37	SS1724M	48	T624FB	87	U5F2178S	79
GSGKL	172, 173	SCB30DS	37	SS2724M	48	T630FB	87	U5F2184S	79
GSGKM	172, 173	SCB30SS	37	SS5060MS	49	TAWG	144	U5F2190S	79
GSHW	172	SE08PP1	51	SS5268BLH	49	U2HPP	102	U5F2196S	79
GSTFN7578	172, 173	SE08PP2	51	SS5268BRH	49	U3CG12	85, 107	U5F2430S	79
GSTFN8184	172, 173	SE08TPP2	51	ST30MT	33	U3CHBG	85	U5F2436S	79
KSCT1536SC	125	SE08XPP2	51	ST36MT	33	U3HAE	85, 107	U5F2442S	79
LKFE	257	SE08YPP2	51	ST42MT	33	U3HAI	85, 107	U5F2448S	79, 138
PRFTSKCL	250	SE30EK3C	50	ST48MT	33	U3SSHAF	140, 172	U5F2454S	79, 138
PRFTSKFS	250	SE30EK4C	50	ST54MT	33	U5CC6024LS	82, 138	U5F2460S	79, 138
PRFTSKTR	250	SE36EK3C	50	ST60MT	33	U5CC6024RS	82, 138	U5F2466S	79, 138
RFDRW48	232	SE36EK4C	50	ST66MT	33	U5CC6027LS	82, 138	U5F2472S	79, 138
RFDRW54	232	SE42EK3C	50	ST72MT	33	U5CC6027RS	82, 138	U5F2478S	79
RFDRW60	232	SE42EK4C	50	ST84MT	33	U5CC6624LS	82, 138	U5F2484S	79
RFDRW66	232	SE48EK3C	50	SW2246NE	36	U5CC6624RS	82, 138	U5F2490S	79
RFDRW72	232	SE48EK4C	50	SW2246NFR	35	U5CC6627LS	82, 138	U5F2496S	79
RFDRWAB	232	SE54EK3C	50	SW2246NFS	35	U5CC6627RS	82, 138	U5F2730S	79
RFDRWCNPP	234	SE54EK4C	50	SW2252NE	36	U5CC7224LS	82, 138	U5F2736S	79
RFDRWCNPPPE	234	SE60EK3C	50	SW2252NFR	35	U5CC7224RS	82, 138	U5F2742S	79
RFDRWCNPPM	234	SE60EK4C	50	SW2252NFS	35	U5CC7227LS	82, 138	U5F2748S	79, 138
RFDRWHUBEND	233	SE66EK3C	50	SW2258DE	36	U5CC7227RS	82, 138	U5F2754S	79, 138
RFDRWHUBENDT	233	SE66EK4C	50	SW2258DFR	35	U5F15E15RL	80	U5F2760S	79, 138
RFDRWHUBL	233	SE72EK3C	50	SW2258DFS	35	U5F15E15RR	80	U5F2766S	79, 138
RFDRWHUBLIN	233	SE72EK4C	50	SW2264DE	36	U5F15E21RL	80	U5F2772S	79, 138
RFDRWHUBT	233	SE84EK3C	50	SW2264DFR	35	U5F15E21RR	80	U5F2778S	79
RFDRWHUBX	233	SE84EK4C	50	SW2264DFS	35	U5F15E27RL	80	U5F2784S	79
RFDRWLEG	232	SEDMUP	38	SW2270DE	36	U5F15E27RR	80	U5F2790S	79
RFDRWSC48	235	SEDMWM20	38	SW2270DFR	35	U5F15E33RL	80	U5F2796S	79
RFDRWSC54	235	SEDMWM30	38	SW2270DFS	35	U5F15E33RR	80	U5F214646C	81
RFDRWSC60	235	SELGEJ3C	50	SW2346NE	36	U5F15E39RL	80	U5F215252C	81
RFDRWSC66	235	SELGEJ4C	50	SW2346NFR	35	U5F15E39RR	80	U5F244646C	81, 138
RFDRWSC72	235	SESEFJ3C	50	SW2346NFS	35	U5F15E45RL	80	U5F245252C	81, 138
RFDRWWM	234	SESEFJ4C	50	SW2352NE	36	U5F15E45RR	80	U5F274646C	81, 138
S2SD	37	SESMJ3C	50	SW2352NFR	35	U5F15E51RL	80	U5F275252C	81, 138
S3SD	37	SESMJ4C	50	SW2352NFS	35	U5F15E51RR	80	U6BC1324F	110
SAFILLERKIT1	47	SESEJ3C	50	SW2358DE	36	U5F18E15RL	80	U6BC1324G	112
SAFILLERKIT25	47	SESEJ4C	50	SW2358DFR	35	U5F18E15RR	80	U6BC1330F	110
SAFILLERKIT27	47	SF30F	32	SW2358DFS	35	U5F18E21RL	80	U6BC1330G	112
SAFILLERKIT30	47	SF36F	32	SW2364DE	36	U5F18E21RR	80	U6BC1336F	110
SAFILLERKIT31	47	SF42F	32	SW2364DFR	35	U5F18E27RL	80	U6BC1336G	112
SAFILLERKIT33	47	SF48F	32	SW2364DFS	35	U5F18E27RR	80	U6BC1342F	110
SAFILLERKIT37	47	SF54F	32	SW2370DE	36	U5F18E33RL	80	U6BC1342G	112
SAFILLERKIT39	47	SF60F	32	SW2370DFR	35	U5F18E33RR	80	U6BC1348F	110
SAFILLERKIT43	47	SF66F	32	SW2370DFS	35	U5F18E39RL	80	U6BC1348G	112
SAFILLERKIT49	47	SF72F	32	SW2846NE	36	U5F18E39RR	80	U6BC1354F	110
SAFILLERKIT55	47	SF84F	32	SW2846NFR	35	U5F18E45RL	80	U6BC1354G	112

# Cross Reference Index

by Model Number

Model	Page	Model	Page	Model	Page	Model	Page	Model	Page
U6BC1360F	110	U6TS1360G	112	UN3CBBE	87	UN6B90P	83, 103	UN87J19	144
U6BC1360G	112	U6TS2030F	111	UN3CHB1	139	UN6B96F	84	UN87JH1	103
U6BC1366G	112	U6TS2030G	112	UN3CHB2	139	UN6B96M	84	UN87JH2	103
U6BC1372G	112	U6TS2036F	111	UN3CHB3	139	UN6B96N	83	UN87JH3	103
U6BC1378G	112	U6TS2036G	112	UN3CHBC	85	UN6B96P	83, 103	UN87JH4	103
U6BC1384G	112	U6TS2042F	111	UN3TBE	140	UN6BE54SQ	88	UN87U501	103
U6BC1390G	112	U6TS2042G	112	UN6AEDS54SQ	88	UN6BE60SQ	88	UN87U502	103
U6BC1396G	112	U6TS2048F	111	UN6AEDS60SQ	88	UN6BMTW	87	UN87U503	103
U6BC2024F	110	U6TS2048G	112	UN6AESS24LH	88	UN6BWMC36	104	UN87U504	103
U6BC2024G	112	U6TS2054F	111	UN6AESS24RH	88	UN6BWMC42	104	UN87U506	103
U6BC2030F	110	U6TS2054G	112	UN6AESS27LH	88	UN6BWMC48	104	UN924BMS	104
U6BC2030G	112	U6TS2060F	111	UN6AESS27RH	88	UN6BWMC54	104	UN924HT	145, 208
U6BC2036F	110	U6TS2060G	112	UN6ALSQ	87	UN6BWMC60	104	UN930BMS	104
U6BC2036G	112	U6TTS1330F	111	UN6AMDS2SQ	88	UN6BWMC66	104	UN936BMS	104
U6BC2042F	110	U6TTS1336F	111	UN6AWC	102	UN6BWMC72	104	UN936HT	145, 208
U6BC2042G	112	U6TTS1342F	111	UN6B06CN	83	UN6BWMC78	104	UN942BMS	104
U6BC2048F	110	U6TTS1348F	111	UN6B06F	84	UN6E2F	87	UN948BMS	104
U6BC2048G	112	U6TTS1354F	111	UN6B06M	84	UN6GBSS	87	UN948HT	145, 208
U6BC2054F	110	U6TTS1360F	111	UN6B09CN	83	UN6H2PCK	107	UN954BMS	104
U6BC2054G	112	U6TTS2030F	111	UN6B09F	84	UN6HC2SQ	85	UN960BMS	104
U6BC2060F	110	U6TTS2036F	111	UN6B09M	84	UN6HE2SQ	85	UNE24D	139
U6BC2060G	112	U6TTS2042F	111	UN6B12CN	83	UN6HFCAU	85	UNE24S	139
U6BC2066G	112	U6TTS2048F	111	UN6B12F	84	UN6HFEAU	85	UNE27D	139
U6BC2072G	112	U6TTS2054F	111	UN6B12M	84	UN6HLC2SQ	86	UNE27S	139
U6BC2078G	112	U6TTS2060F	111	UN6B18F	84	UN6HLE2SQ	86	UNFIX2LEG	139
U6BC2084G	112	U6TU1318F	113	UN6B18M	84	UN6HS2SQ	88	UNFIX3LEG	139
U6BC2090G	112	U6TU1324F	113	UN6B18N	83	UN6L2FGSQ	87	UNHAT2LEG	139
U6BC2096G	112	U6TU1330F	113	UN6B21F	84	UN6L2FLSQ	88	UNHAT3LEG	139
U6BL1221ML	113	U6TU1336F	113	UN6B21M	84	UN6LHK2HC	86	UNM120	139
U6BL1221MR	113	U6TU1342F	113	UN6B21N	83	UN6LHK2S	86	UNMD	139
U6BL1227ML	113	U6TU1348F	113	UN6B24F	84	UN6LHK3HC	86	UNMPED	139
U6BL1227MR	113	U6TU1354F	113	UN6B24M	84	UN6LHK3S	86	UNMPES	139
U6BL2021ML	119, 41	U6TU1360F	113	UN6B24N	83	UN6LHK4HC	86	UNMS	139
U6BL2021MR	119, 41	U6WBTF	78, 87	UN6B30F	84	UN6LHK4S	86	UNQTMP	208, 251
U6BL2027ML	119, 41	U7HSB2	124	UN6B30M	84	UN6PE24	139	UNSBEC2	83, 103
U6BL2027MR	119, 41	U7HSK1	124	UN6B30N	83	UN6PE27	139	UNSBEC2CH	83, 102, 103
U6GPSS	172	U7HSK2	124	UN6B36F	84	UN6S7L	140	UNSBEC12	83, 103
U6H2SCU1P4C	107	U7MC203615HL	125	UN6B36M	84	UN6S9L	140	UNSBEC12CH	83, 102, 103
U6H2SCU1P4H	107	U7MC203615HR	125	UN6B36N	83	UN6SDMC36	104, 145	WANDFS	250
U6HB2L	85	U7P1027PBL	125	UN6B36P	83, 103	UN6SDMC42	104, 145	WANDFSOC	250
U6HB3	107	U7P1027PBR	125	UN6B42F	84	UN6SDMC48	104, 145	WANDFSUSB	250
U6HB3L	85	U7P1521PD	125	UN6B42M	84	UN6SDMC54	104, 145	WKSWMC	208, 234
U6HK1HC	85	U7T421227ADL	126	UN6B42N	83	UN6SDMC60	104, 145	YPLDIGMGR	179, 191
U6HK1P	85	U7T421227ADR	126	UN6B42P	83, 103	UN6SDMC66	104, 145	YPLDIGPRG	179, 191
U6HK1S	85	U7T501221ADL	126	UN6B48F	84	UN6SDMC72	104, 145	Z5SC42	78
U6HK2HC	85	U7T501221ADR	126	UN6B48M	84	UN6SDMC78	104, 145	Z5SC48	78, 138
U6HK2P	85	U7T501227ADL	126	UN6B48N	83	UN6SESS24LH	88	Z5SC54	78, 138
U6HK2S	85	U7T501227ADR	126	UN6B48P	83, 103	UN6SESS24RH	88	Z5SC60	78, 138
U6HK3HC	85	U7WDA	246	UN6B54F	84	UN6SESS27LH	88	Z5SC66	78
U6HK3P	85	U8IKCH	102	UN6B54M	84	UN6SESS27RH	88	Z5SC72	78
U6HK3S	85	U8IKNY1	102	UN6B54N	83	UN6SWMC36	104, 145	Z5SC78	78
U6HK4HC	85	U8IKNY2	102	UN6B54P	83, 103	UN6SWMC42	104, 145	Z5SC84	78
U6HK4P	85	U8IKNY3	102	UN6B60F	84	UN6SWMC48	104, 145	Z6BL0827F	117
U6HK4S	85	U8SBKCH	102	UN6B60M	84	UN6SWMC54	104, 145	Z6BL0827G	117
U6L2FG	87	U8SBKNY1	102	UN6B60N	83	UN6SWMC60	104, 145	Z6BL0830F	117
U6T2FC	87	U8SBKNY2	102	UN6B60P	83, 103	UN6SWMC66	104, 145	Z6BL0830G	117
U6TM18F	111	U9TF	237	UN6B66F	84	UN6SWMC72	104, 145	Z6BL0836F	117
U6TM24F	111	U9TM	237	UN6B66M	84	UN6SWMC78	104, 145	Z6BL0836G	117
U6TM30F	111	U9TP	237	UN6B66N	83	UN6WC	102	Z6BL1327F	117
U6TM36F	111	U9TS	237	UN6B66P	83, 103	UN8BBKCH	102	Z6BL1327G	117
U6TM42F	111	U9WTC	237	UN6B72F	84	UN8EBKCH	102	Z6BL1327M	117
U6TM48F	111	U912WTR	237	UN6B72M	84	UN8HP	103	Z6BL1330F	117
U6TM54F	111	U918WTR	237	UN6B72N	83	UN8K36	83, 103	Z6BL1330G	117
U6TM60F	111	U924WTR	237	UN6B72P	83, 103	UN8K42	83, 103	Z6BL1330M	117
U6TS1330F	111	U930WTR	237	UN6B78F	84	UN8K48	83, 103	Z6BL1336F	117
U6TS1330G	112	U936WTR	237	UN6B78M	84	UN8K54	83, 103	Z6BL1336G	117
U6TS1336F	111	U942WTR	237	UN6B78N	83	UN8K60	83, 103	Z6BL1336M	117
U6TS1336G	112	U948WTR	237	UN6B78P	83, 103	UN8K66	83, 103	Z6LB	126
U6TS1342F	111	U954WTR	237	UN6B84F	84	UN8K72	83, 103	Z617UWTRGH	208
U6TS1342G	112	U960WTR	237	UN6B84M	84	UN8K78	83, 103	Z636UWTRGH	208
U6TS1348F	111	U966WTR	237	UN6B84N	83	UN8K84	83, 103	Z61710UWTRGH	208
U6TS1348G	112	UN2CSQPP	102	UN6B84P	83, 103	UN8K90	83, 103	Z63610UWTRGH	208
U6TS1354F	111	UN2ESQPP	102	UN6B90F	84	UN8K96	83, 103	ZS42SF	172, 173
U6TS1354G	112	UN2HPSQ	102, 234	UN6B90M	84	UN87J19	103	ZS50SF	172, 173
U6TS1360F	111	UN2HPSQSK	102, 234	UN6B90N	83	UN87J17	144		



Allsteel®

Allsteel Inc.  
Muscatine, Iowa 52761

[allsteeloffice.com](http://allsteeloffice.com)

Form #A8687.A8 (12/22)