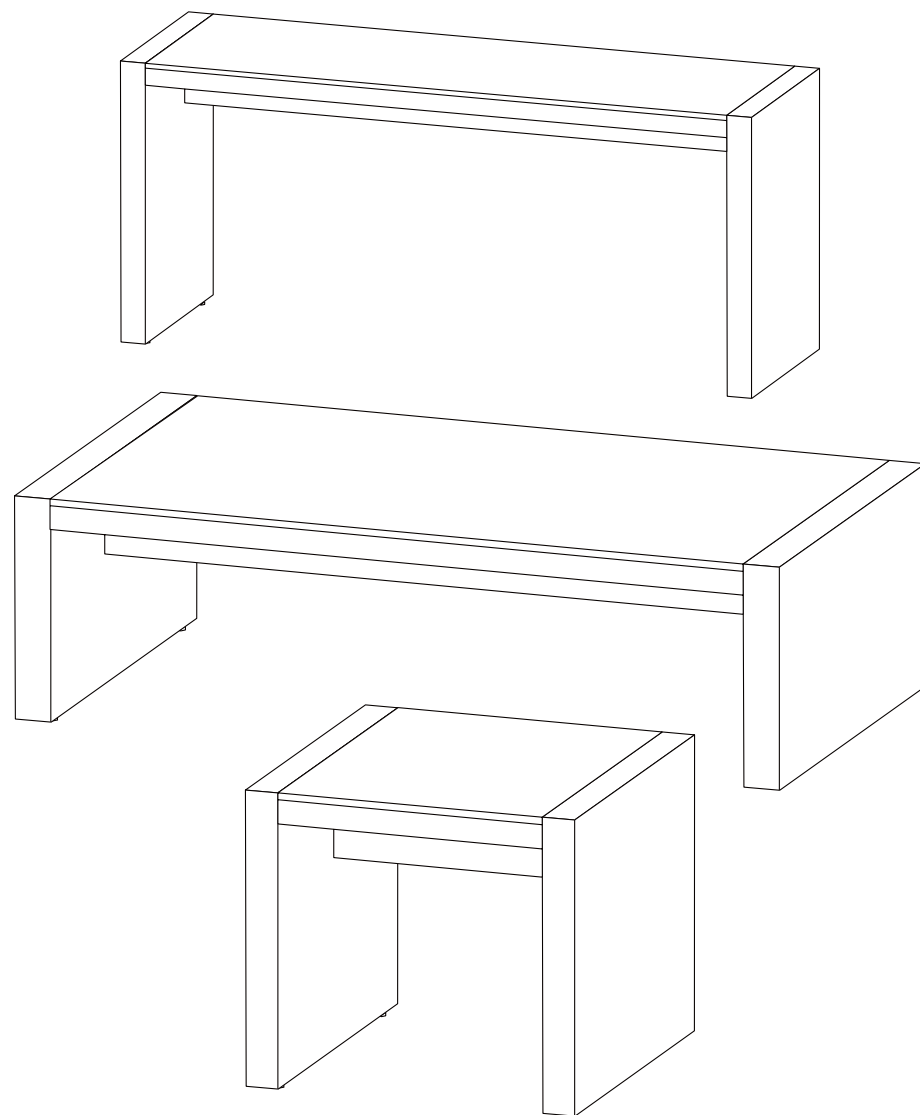


HBF

Firma Occasional + Multipurpose

ASSEMBLY GUIDE





Welcome to HBF. With an emphasis on design, craft, and sustainability, HBF is proud to be part of a 200-year-old legacy of furniture manufacturing in North Carolina.

With an eye on modern design and traditional craftsmanship, we're thrilled that you've chosen to bring a piece of our furniture collection into your space. We hope that it will serve as a long-lasting reminder of your decision to invest in something beautiful and well made.

We want your experience with our product to be as enjoyable as possible, so we're here to help guide you through the assembly process.

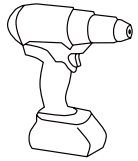
For all questions about the assembly of this product and HBF customer service, please contact:

855.423.2020
hbfservice@hbf.com



Tools & Hardware

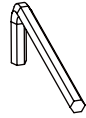
Tools



Drill



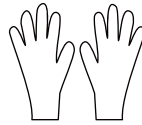
Safety Goggles



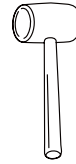
Allen Wrench



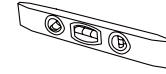
Screwdriver



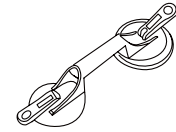
Gloves



Mallet

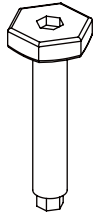


Level

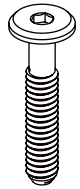


Suction Lifter

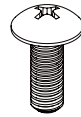
Hardware



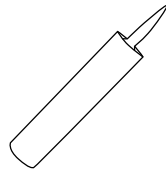
11/16 Hex Adjustable
Glide



1/4-20 x 1.4"
Flat Internal Hex
Head Screw



1/4-20 x 0.75" Phillips
Head Screw



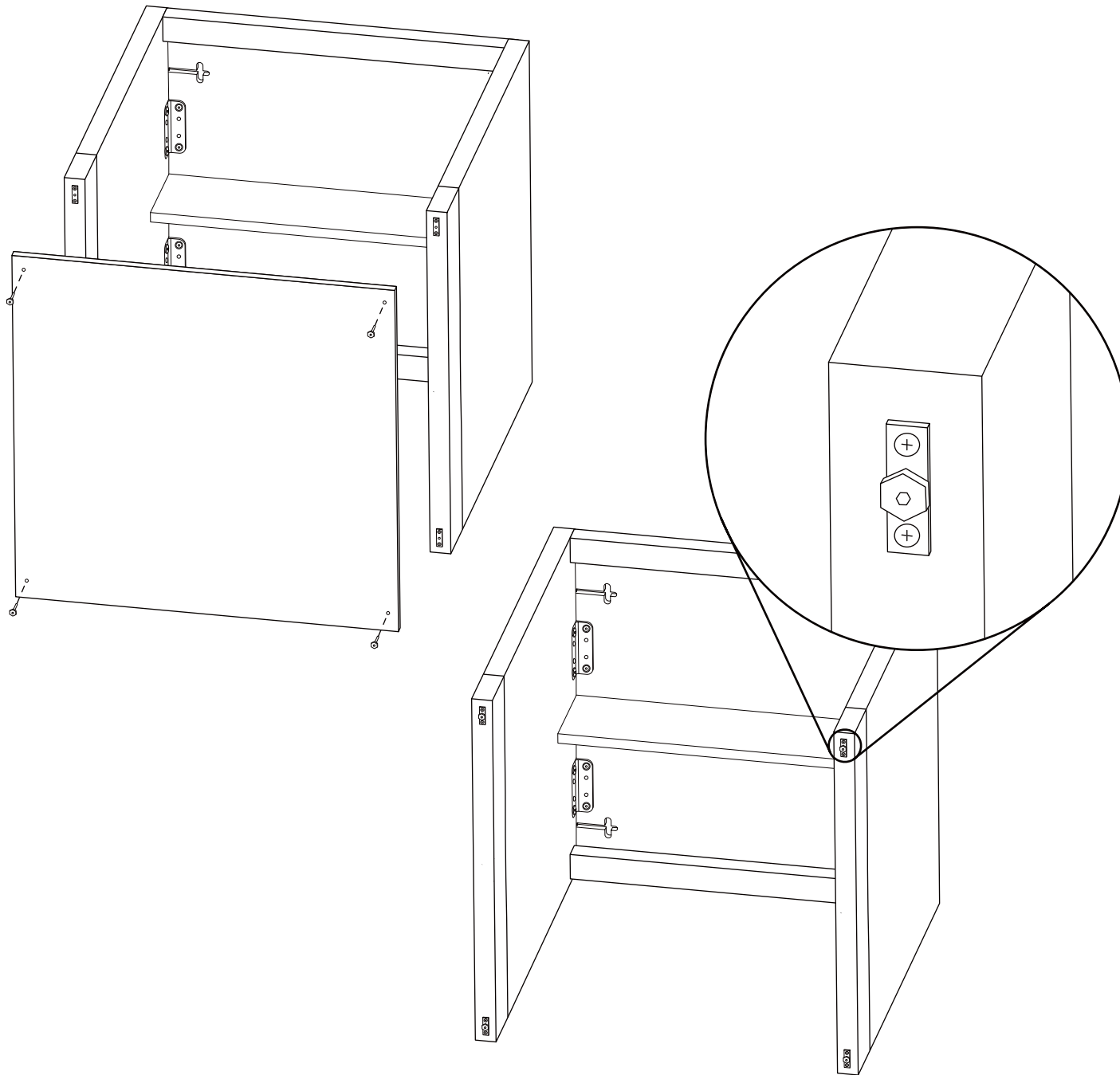
Silicone Adhesive for
Glass Tabletops
(Not Included)

Packaging Contents

Due to the broad sizes and materials that make up the Firma Collection, the amount of hardware will vary per order. The HBF team has taken the necessary steps to ensure that all required pieces have been included in your order.

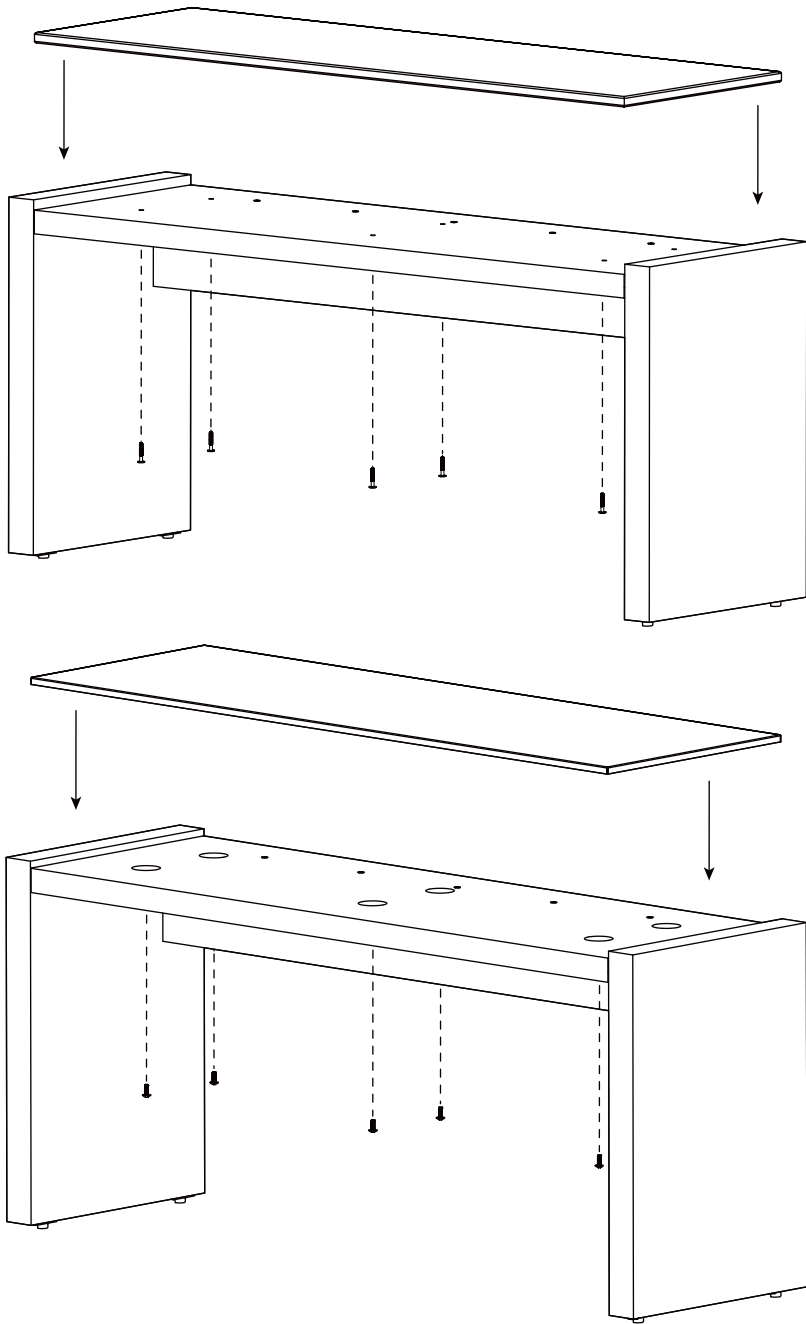
In the rare case that an item is missing, please reach out to customer service at 855.423.2020 or hbfservice@hbf.com.





1

1. Remove the shipping platform from the bottom of the table by unscrewing the adjusting glides with your fingers. This is a piece of particle board that we add to all Occasional and Multipurpose tables to help support the tables in shipping.
2. Screw the adjusting glides back into the base of the table.



2

Attach the top to the sub-top using mechanical fasteners, centered on the depth and width of the table.

Notes:

- Table base should be level on all sides before any top is applied.
- To ensure a proper seal, all glass top surfaces should be installed with silicone adhesive.
- For laminate surfaces, use flat internal hex head screws (included).
- For quartz and solid surfaces, use Phillips head screws (included).

Align the top surface to the top of the end bases, then secure it in place with wood screws.

1/4-20 x 1.4" Flat Internal Hex Head Screw

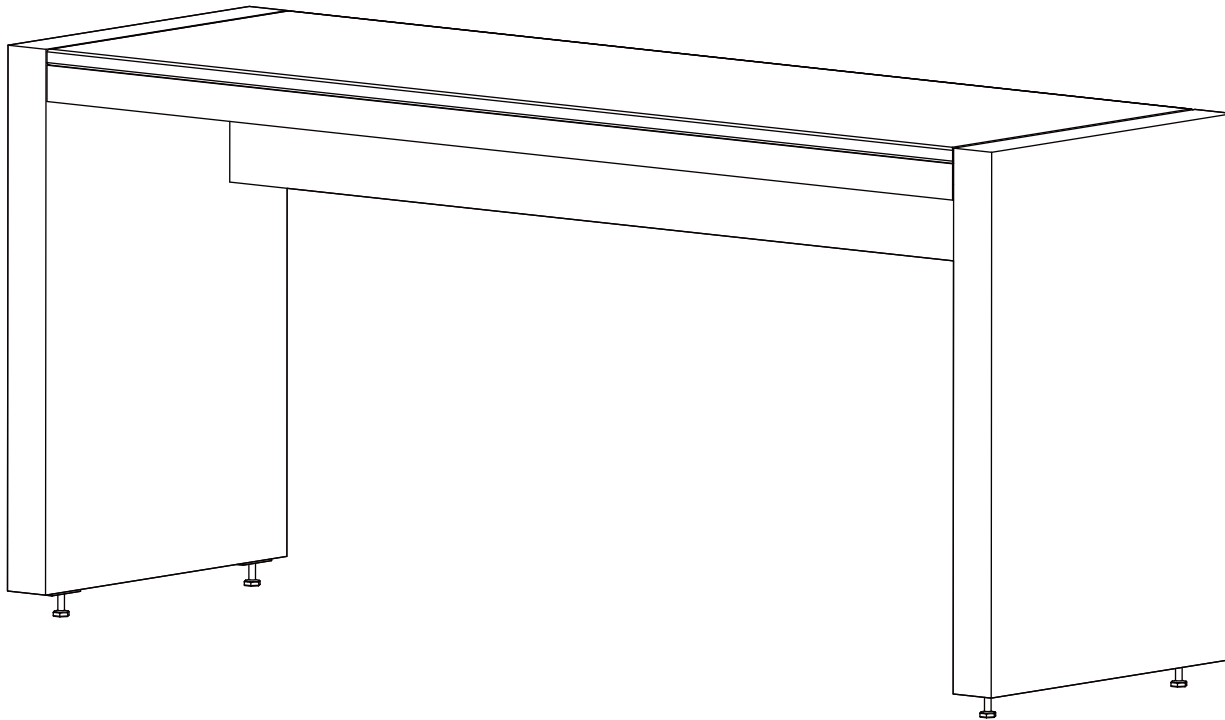


1/4-20 x 0.75" Phillips Head Screw



3

Level table by adjusting glides.



H B F

WWW.HBF.COM