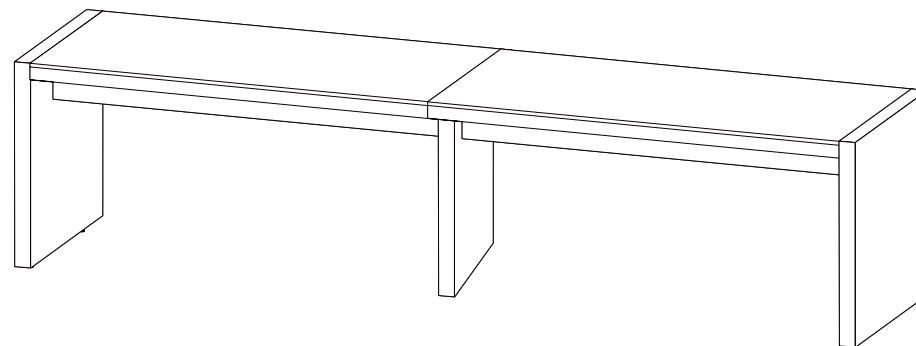
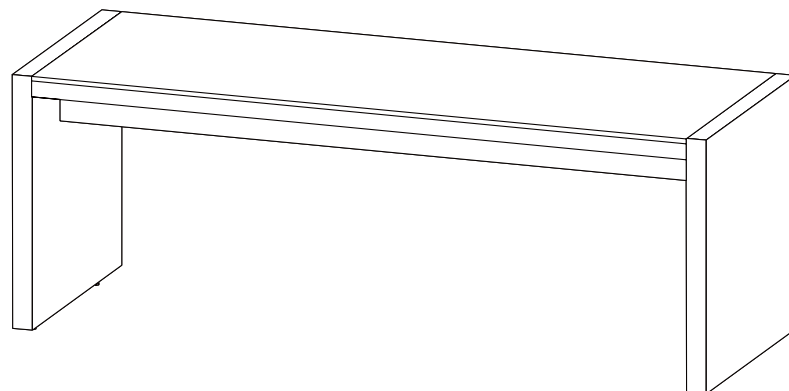
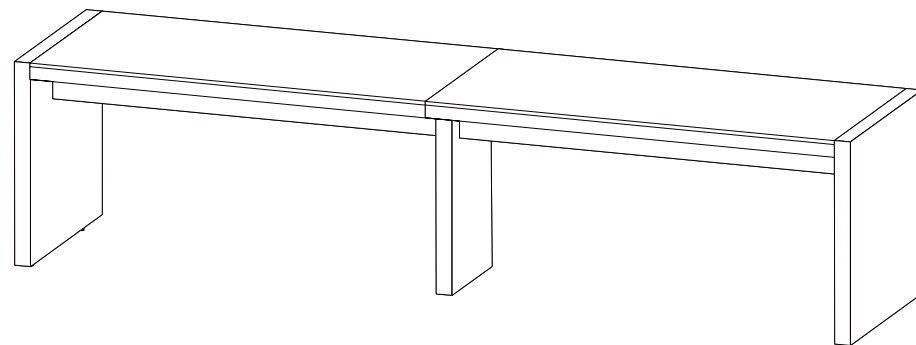


HBF

Firma Communal

ASSEMBLY GUIDE





Welcome to HBF. With an emphasis on design, craft, and sustainability, HBF is proud to be part of a 200-year-old legacy of furniture manufacturing in North Carolina.

With an eye on modern design and traditional craftsmanship, we're thrilled that you've chosen to bring a piece of our furniture collection into your space. We hope that it will serve as a long-lasting reminder of your decision to invest in something beautiful and well made.

We want your experience with our product to be as enjoyable as possible, so we're here to help guide you through the assembly process.

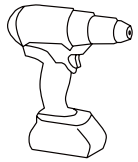
For all questions about the assembly of this product and HBF customer service, please contact:

855.423.2020
hbfservice@hbf.com



Tools & Hardware

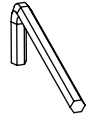
Tools



Drill



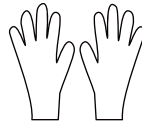
Safety Goggles



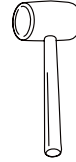
Allen Wrench



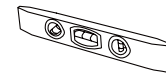
Screwdriver



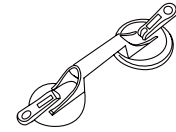
Gloves



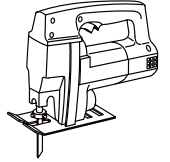
Mallet



Level

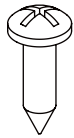


Suction Lifter

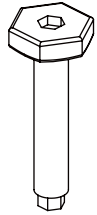


Hand Saw

Hardware



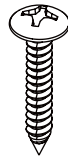
6 x 1/2 Phillips Pan Head Screw



11/16 Hex Adjustable Glide



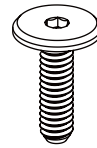
10 x 1-1/4 Glide Screw



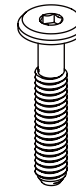
#8 x 1" Phillips Truss Head Screw



#10 x .750 Pan Head Combo Drive Screw 3/4" Long



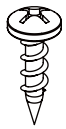
1/4-20 x 0.984 Internal Hex Head Bolt



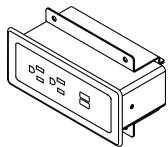
1/4-20 x 1.4" Flat Internal Hex Head Screw



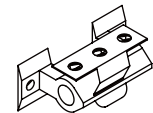
1/4-20 x 0.75" Phillips Head Screw



#10 x 0.750 Pan Head Combo Drive Screw



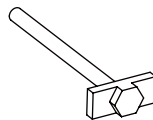
Technology Unit



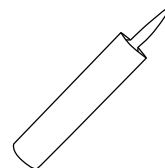
Catch Spring and Strike



8mm x 35mm Dowel



Dog Bone



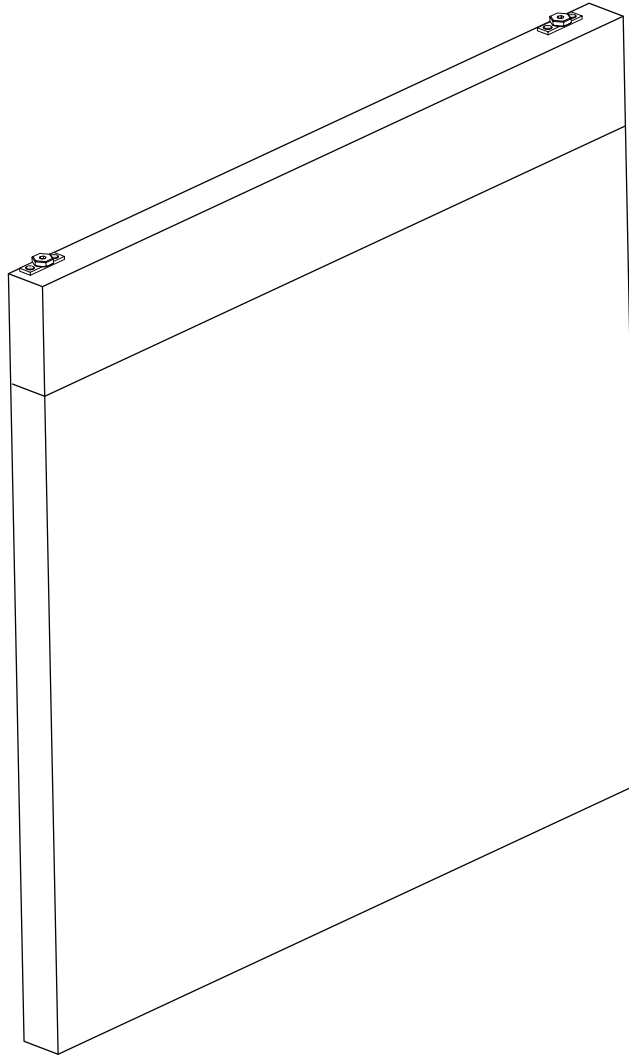
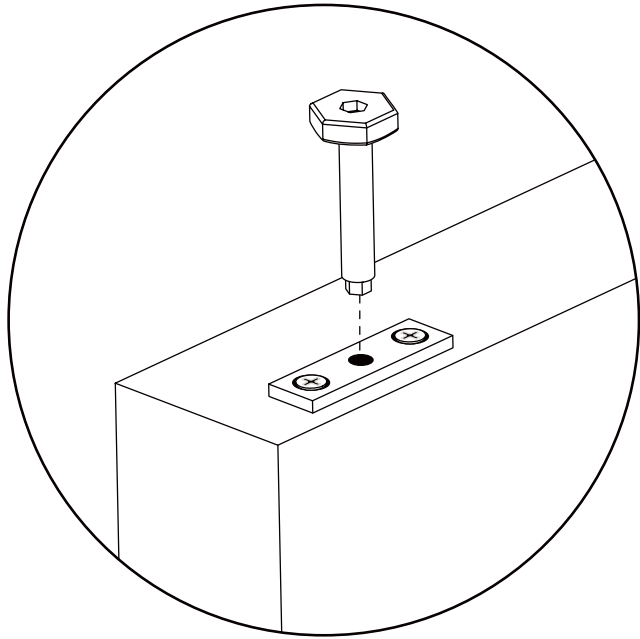
Silicone Adhesive for Glass Tabletops (Not Included)

Packaging Contents

Due to the broad sizes and materials that make up the Firma Collection, the amount of hardware will vary per order. The HBF team has taken the necessary steps to ensure that all required pieces have been included in your order.

In the rare case that an item is missing, please reach out to customer service at 855.423.2020 or hbfservice@hbf.com.

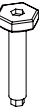




1

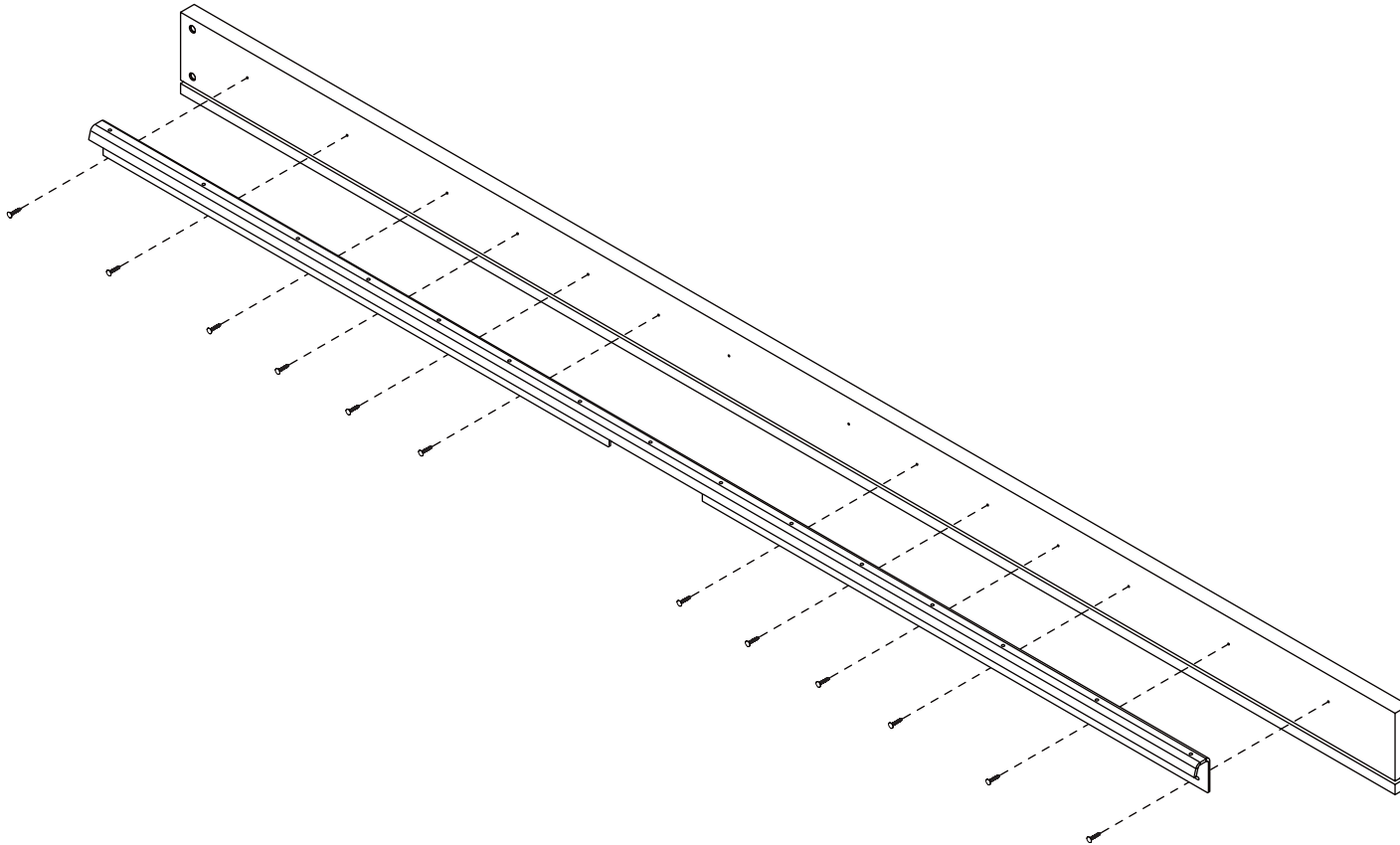
Install glides on all base panel
and center panel.

11/16 Hex Adjustable Glide



2

Attach the stiffener to the stretcher using wood screws; make sure that the stiffener is aligned flush with the edge of the stretcher.



#8 x 1" Philips Truss Head Screw

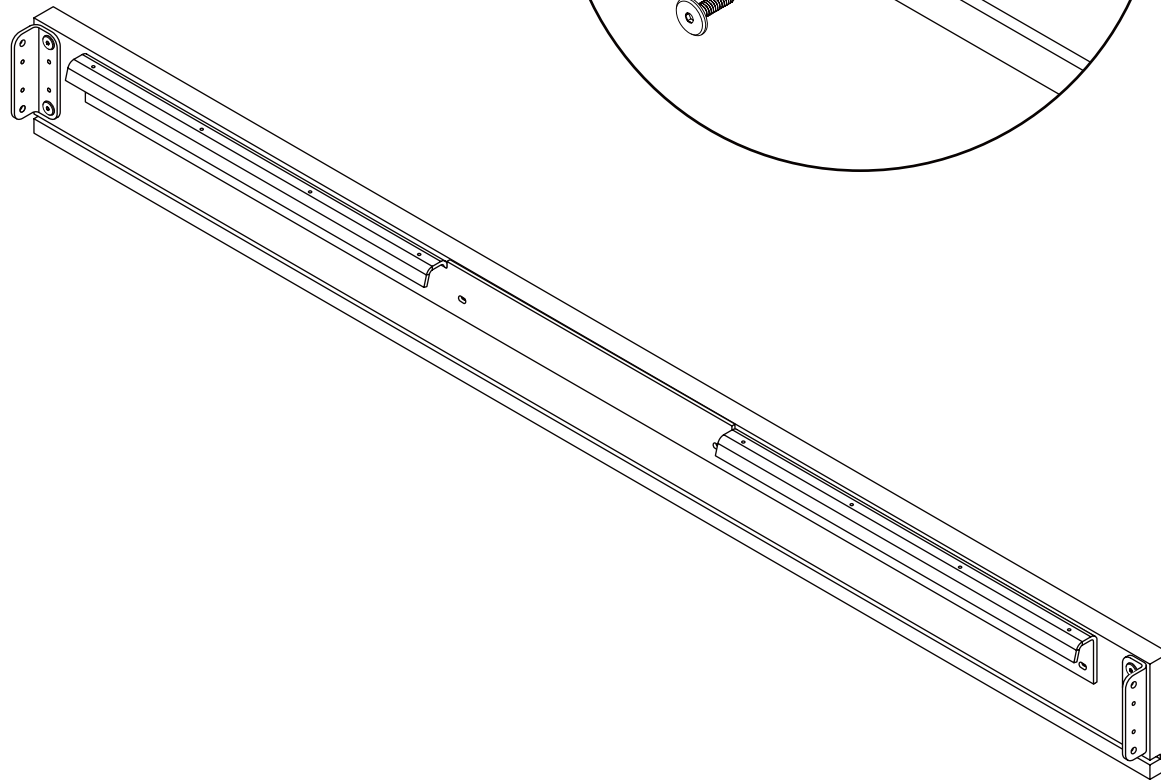
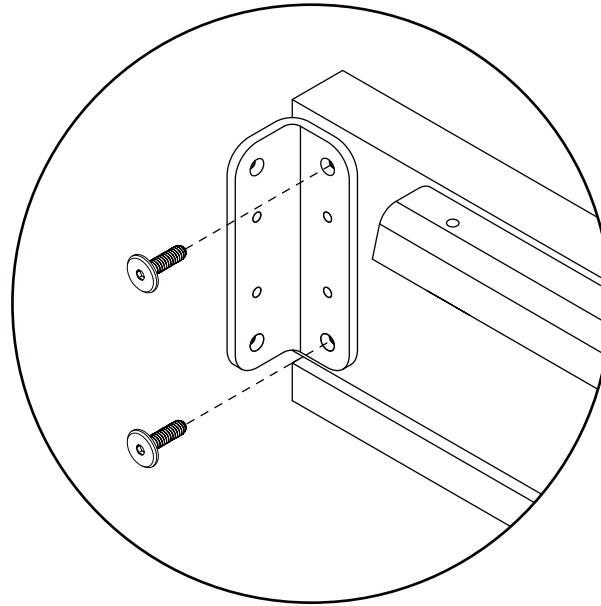


3

Attach the end brackets to the stretcher rails using machine screws only.

Note: Hold the bracket slightly inset from the end of the stretcher rails.

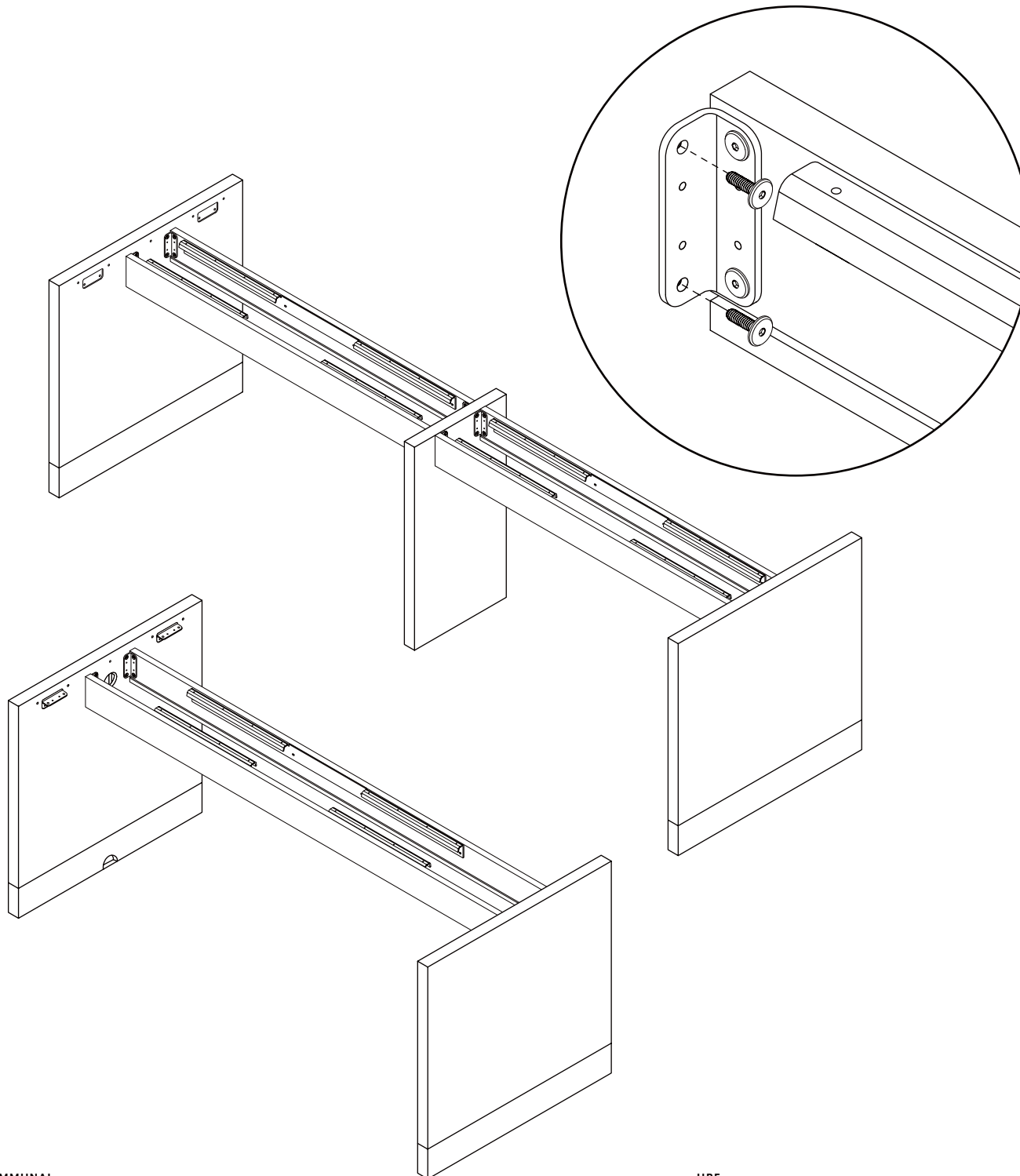
1/4-20 x 0.984 Internal Hex Head Bolt



4

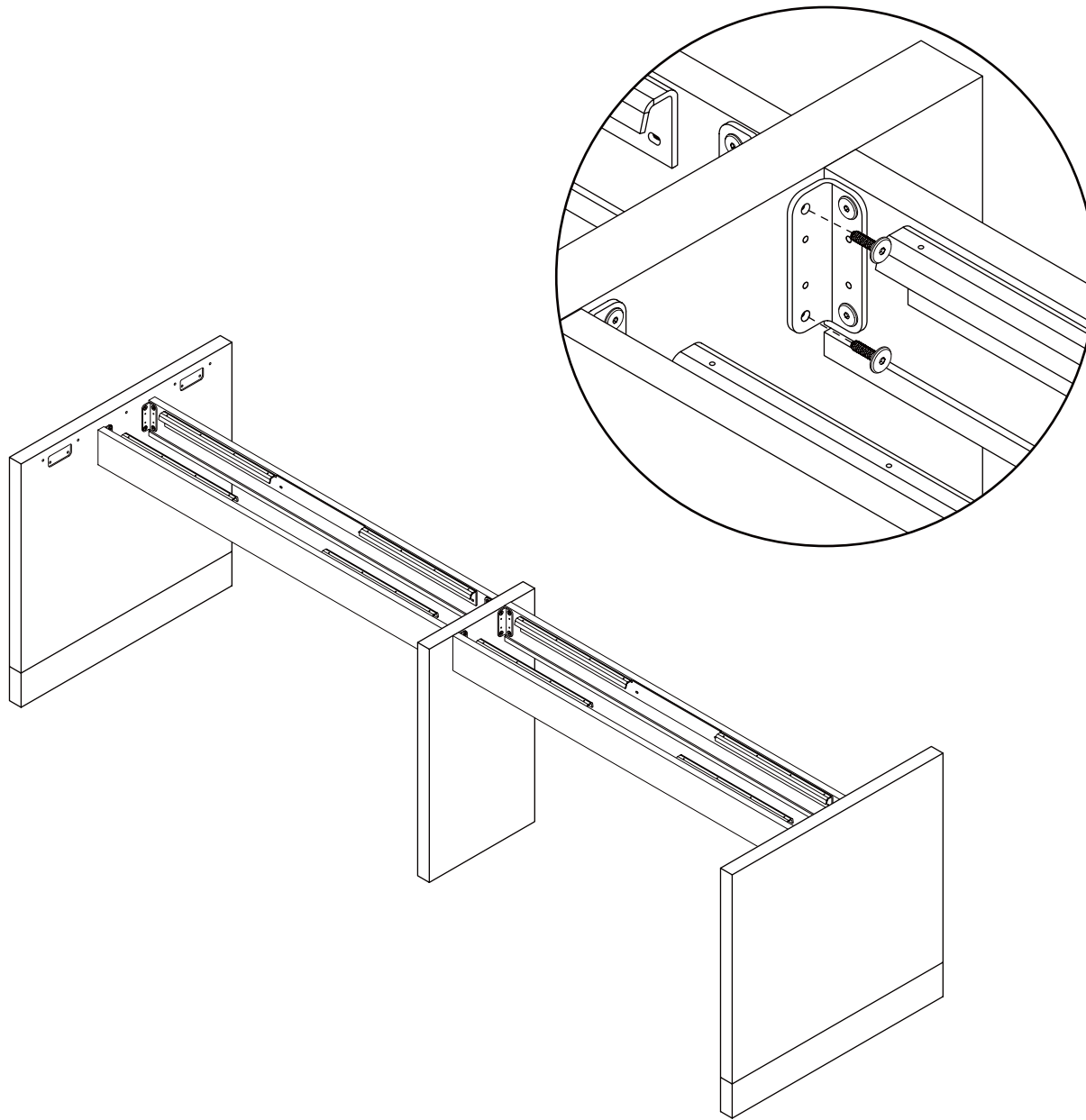
Align stretcher rails to the end base panel with machine screws. Leave the bolts loose enough to allow for sub-top fit between bases.

1/4-20 x 0.984 Internal Hex Head Bolt



5

Align stretcher rails to the center panel with machine screws. Leave the bolts loose enough to allow for sub-top fit between bases.



1/4-20 x 0.984 Internal Hex Head Bolt

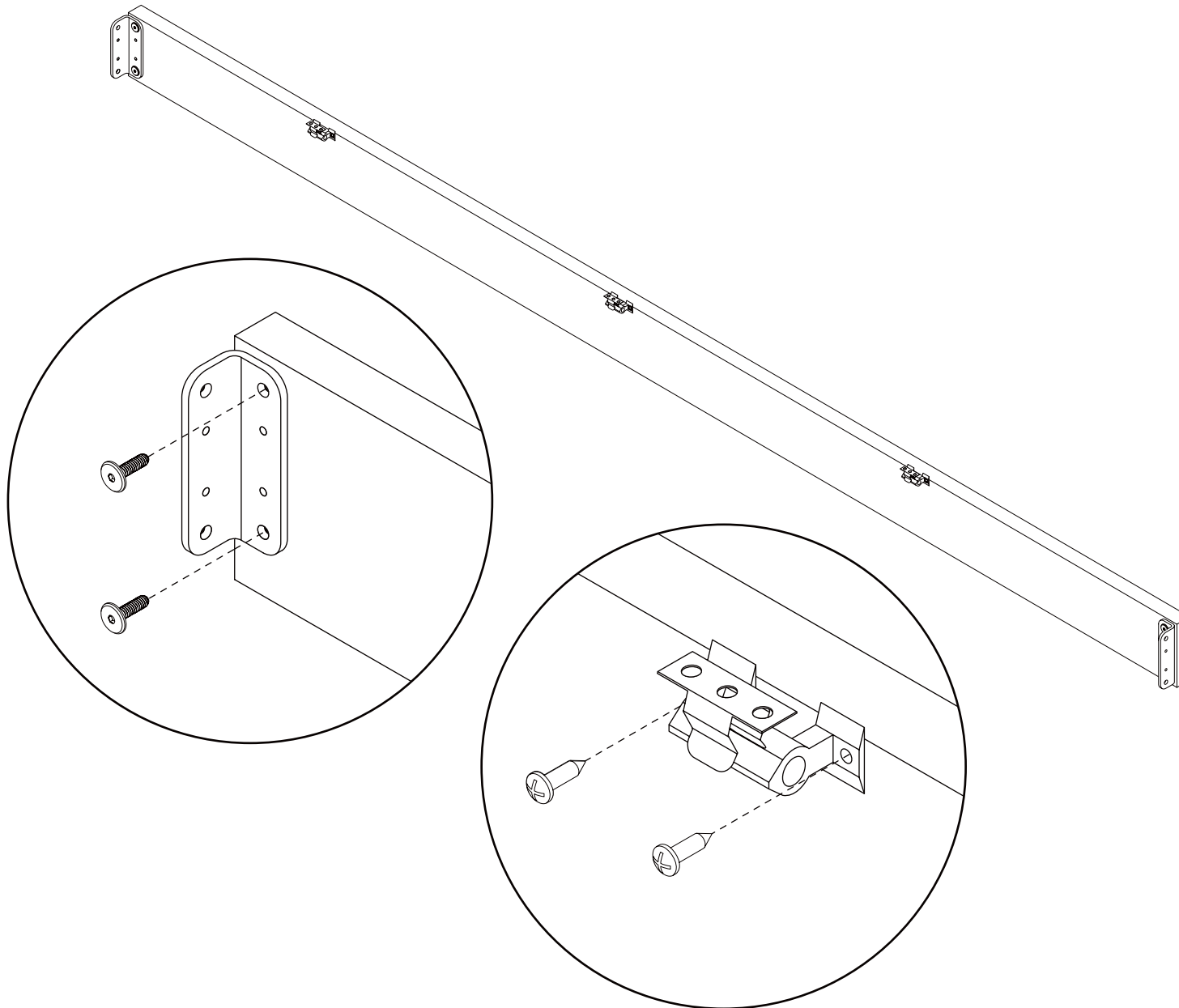


6

Floor chase is optional.

- Attach the end brackets to the floor chase rails using machine screws only.
- Attach the catch spring and strike plate to the floor chase rails using pan head screws.

Note: This step is valid only if the end user has selected floor chase as an option.



1/4-20 x 0.984 Internal Hex Head Bolt



6 x 1/2 Phillips Pan Head Screw

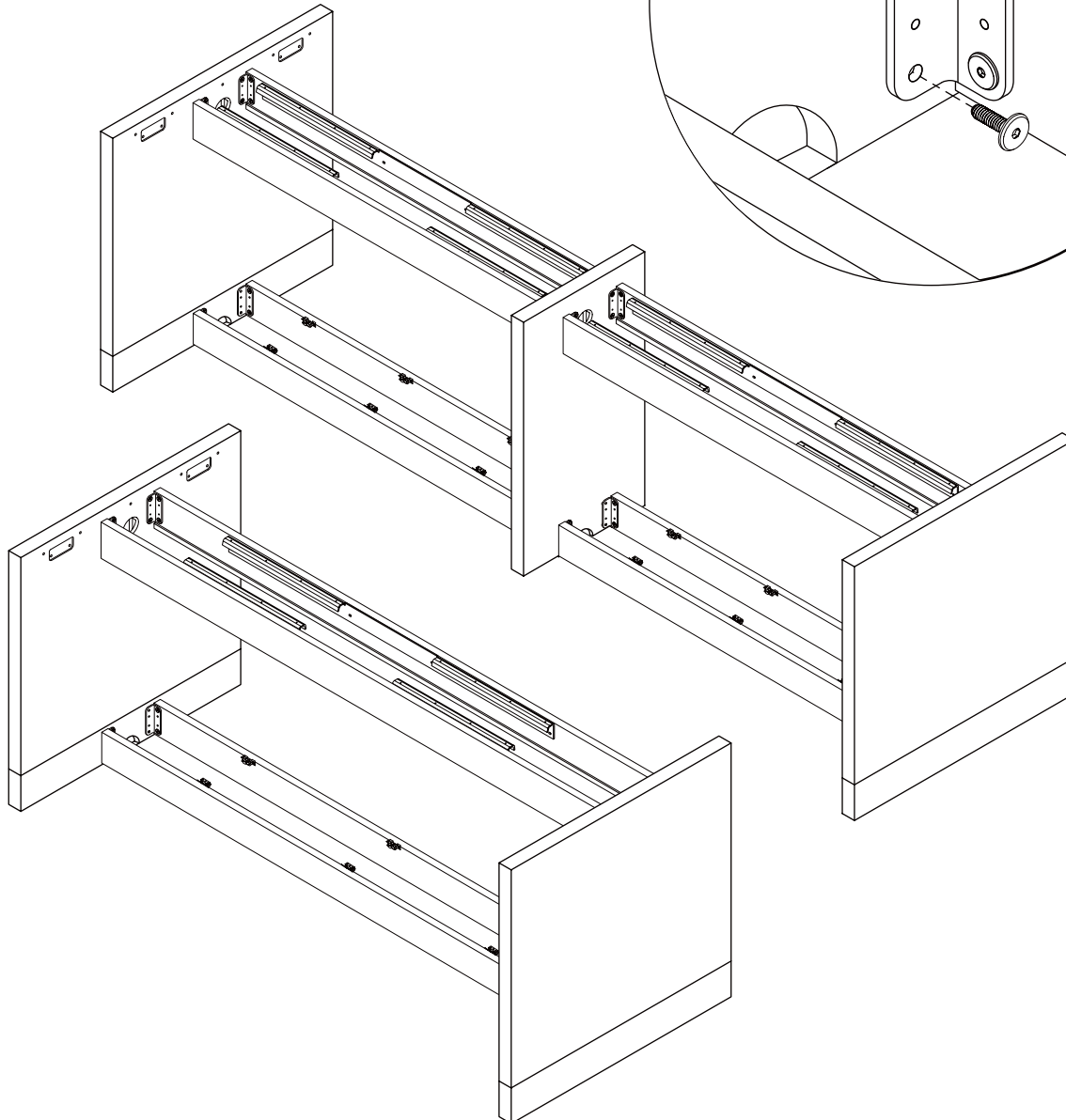
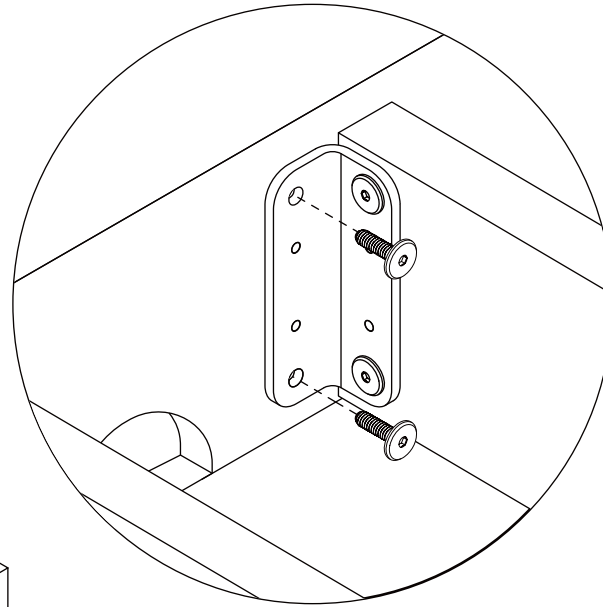


7

Floor chase is optional.

- Secure both floor chase rails to the end base panel and center panel using machine screws.
- Leave the bolts loose enough to allow for sub-top fit between bases.

1/4-20 x 0.984 Internal Hex Head Bolt



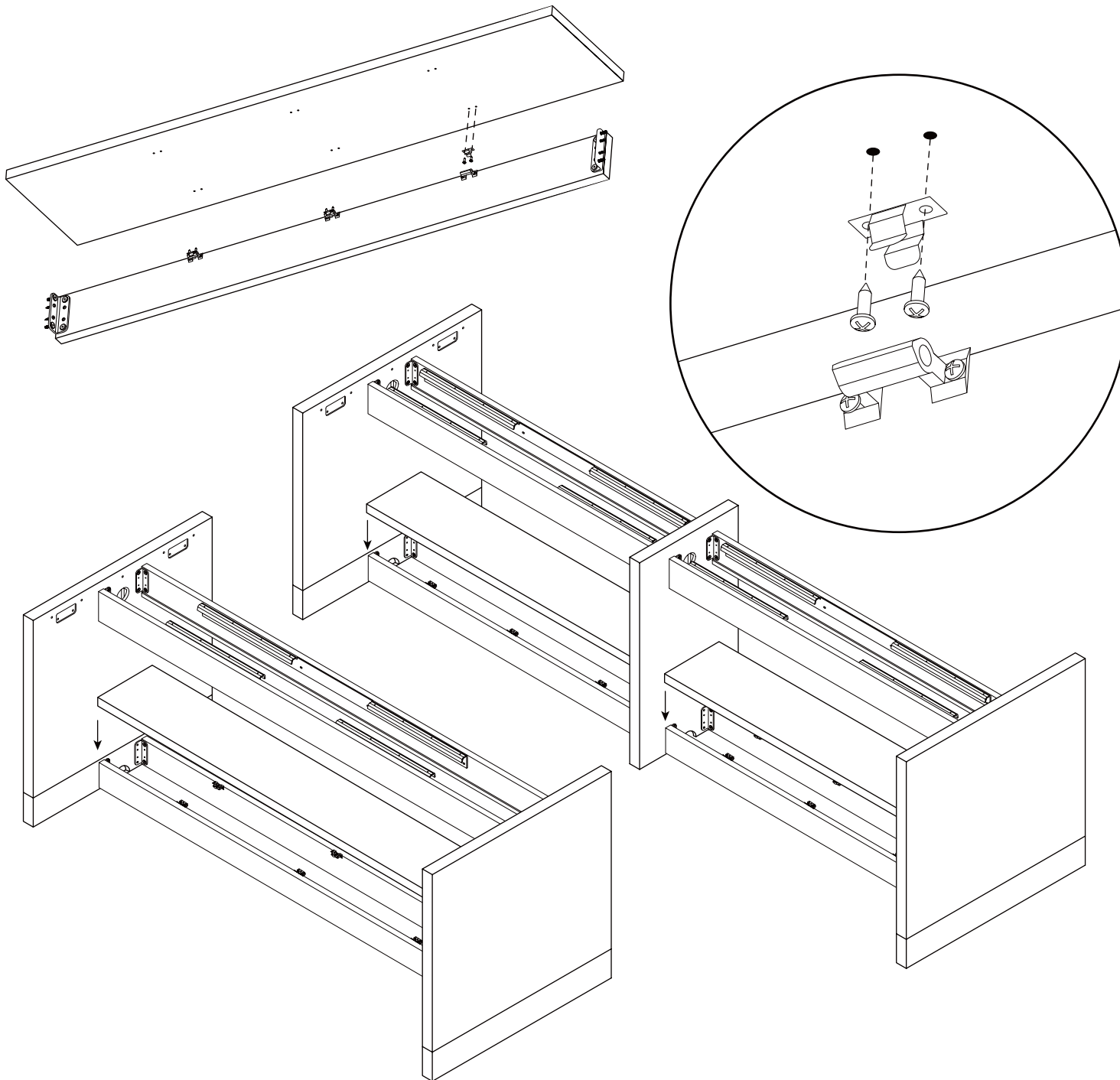
8

Floor chase is optional.

Attach the floor chase top to the floor chase rail using spring clips.

Note: This step is valid only if the end user has selected floor chase as an option.

6 x 1/2 Phillips Pan Head Screw

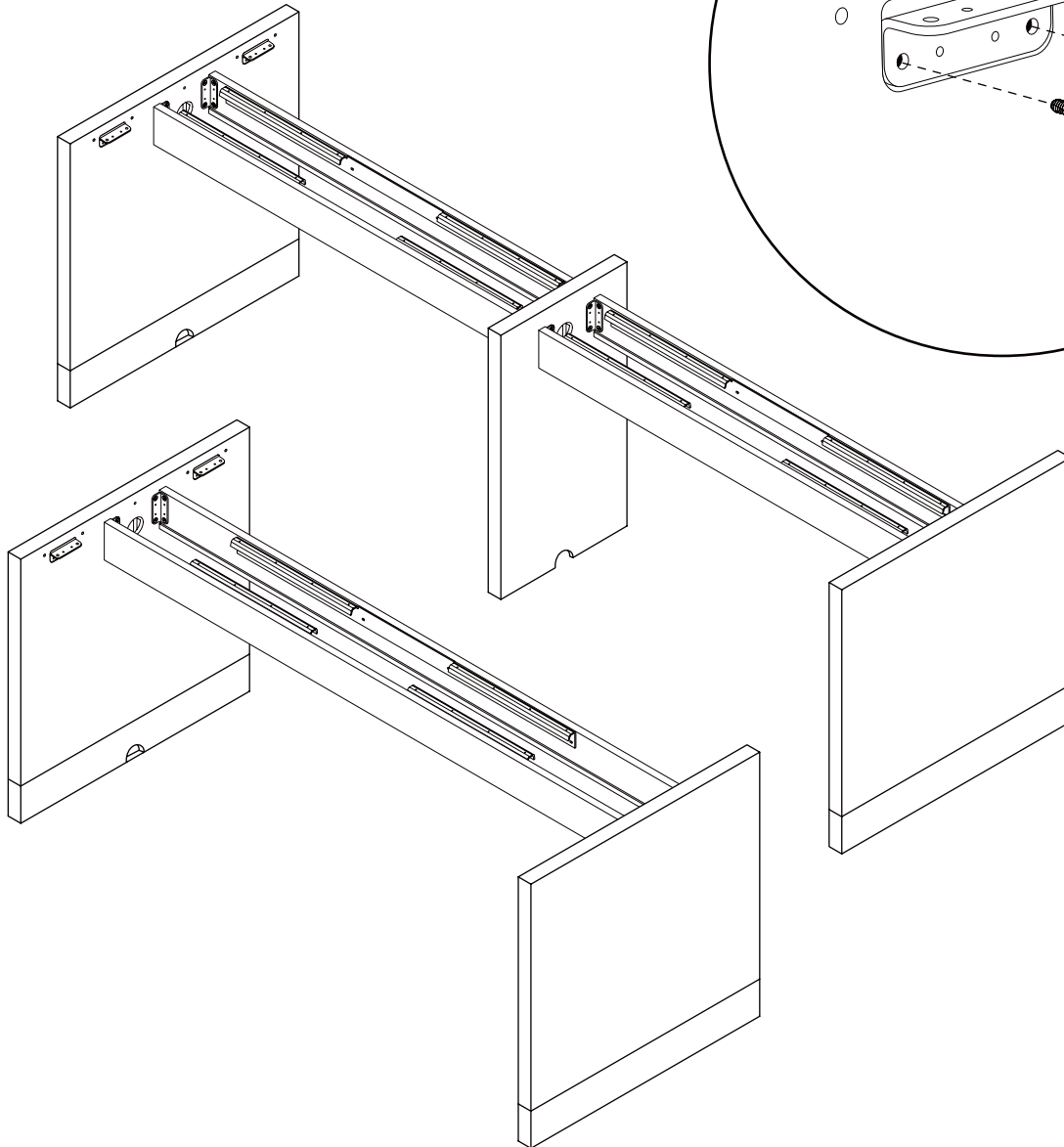
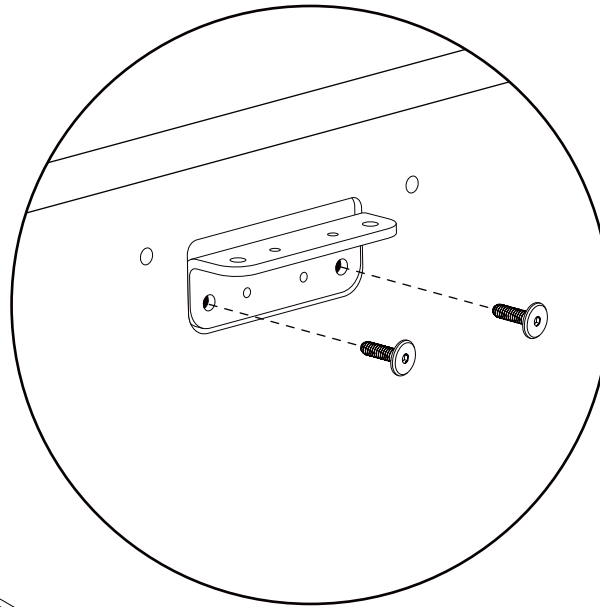


9

Attach the end brackets to the base panel slots using machine screws only.

Note: When assembling, do not fully tighten the bolts. Leave them loose when you attach the top to the base so that you can adjust its position.

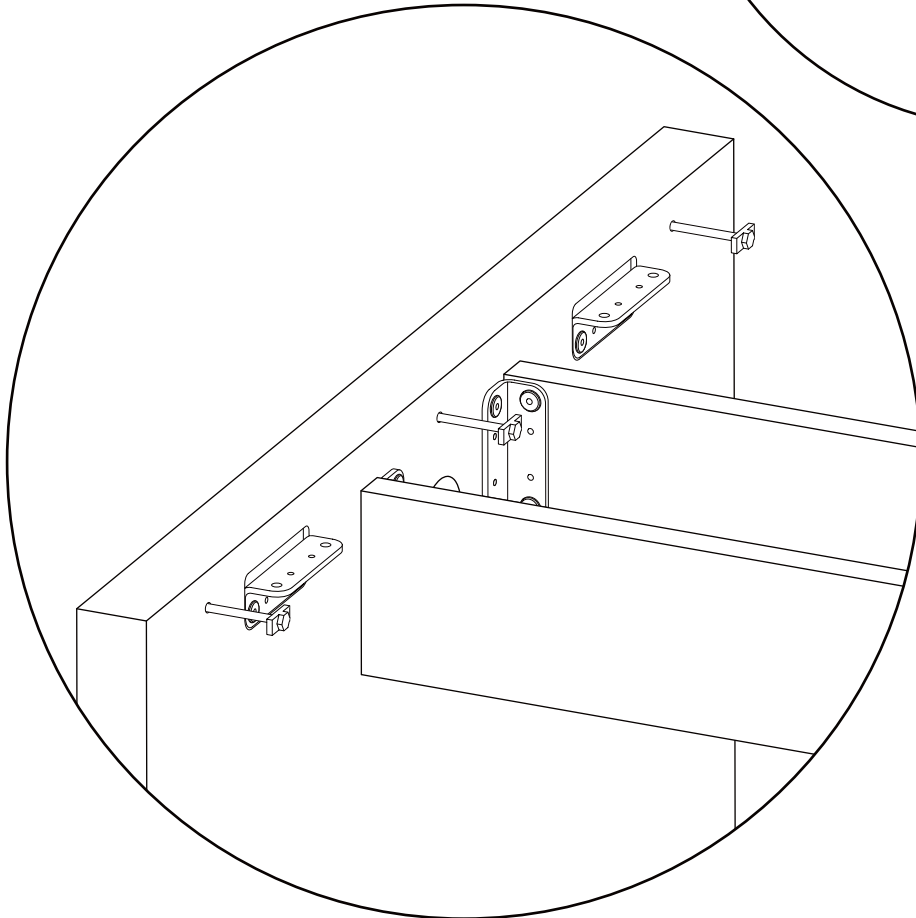
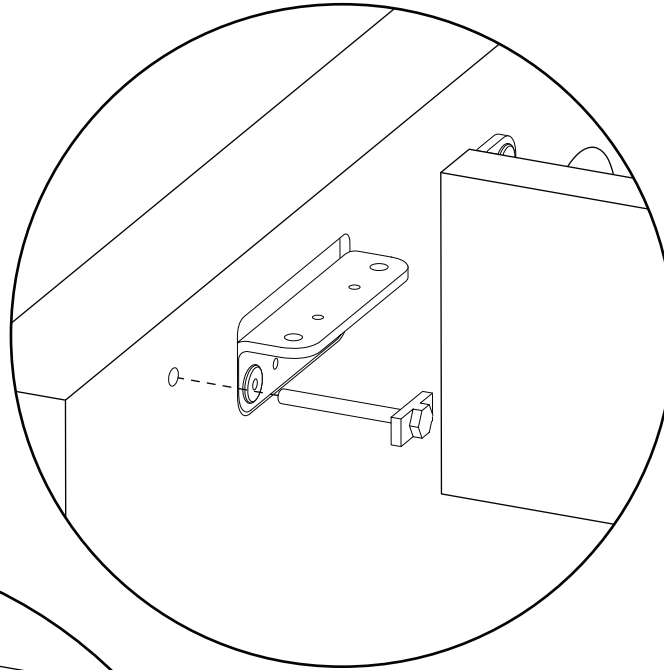
1/4-20 x 0.984 Internal Hex Head Bolt



10

Add dog bones to the end base panel. Leave them extended out 2.55" from the edge of the panel to allow for sub-top installation. The dog bones should be centered on the route in sub-tops.

Dog Bone

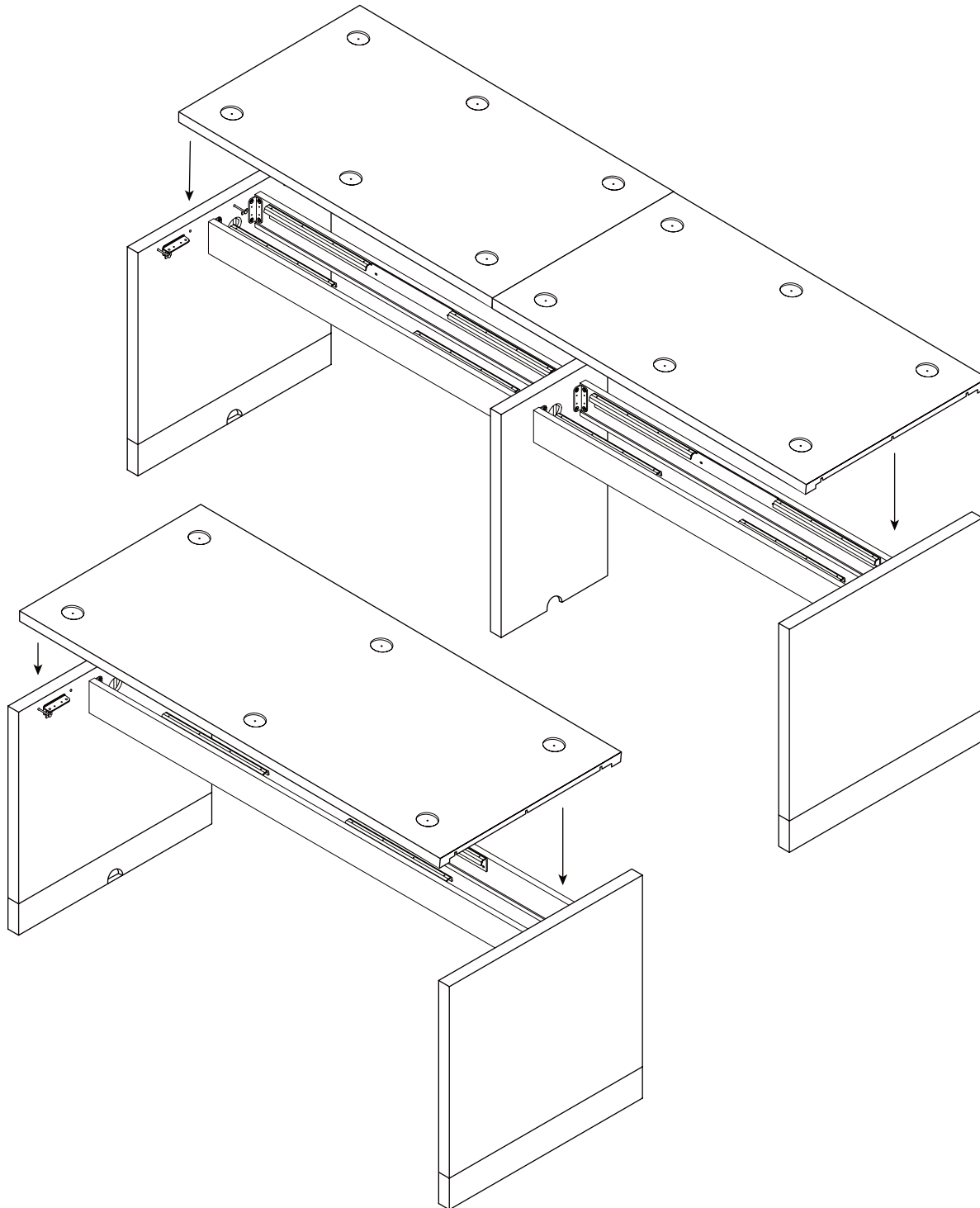


11

Place the sub-top onto the stretcher rails, then tighten dog bones between the sub-top and base panel.

Make sure to align the distance between the top of the sub-top and the top of the base panel to the thickness of your material.

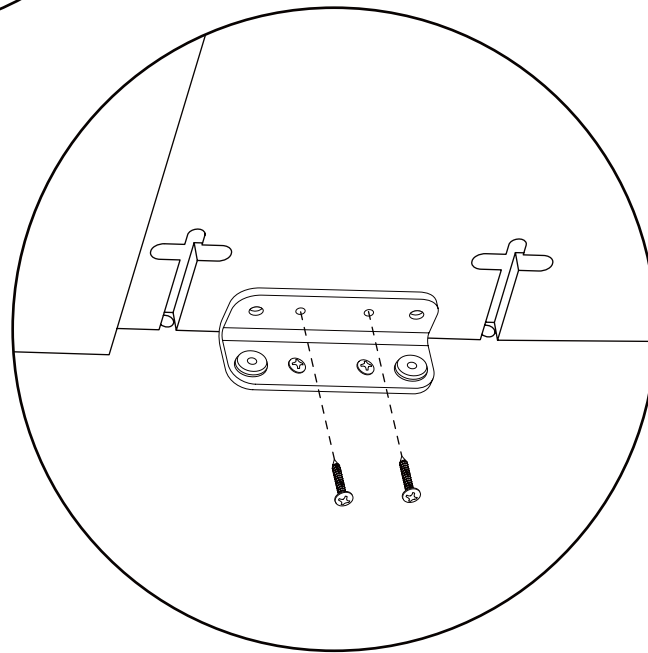
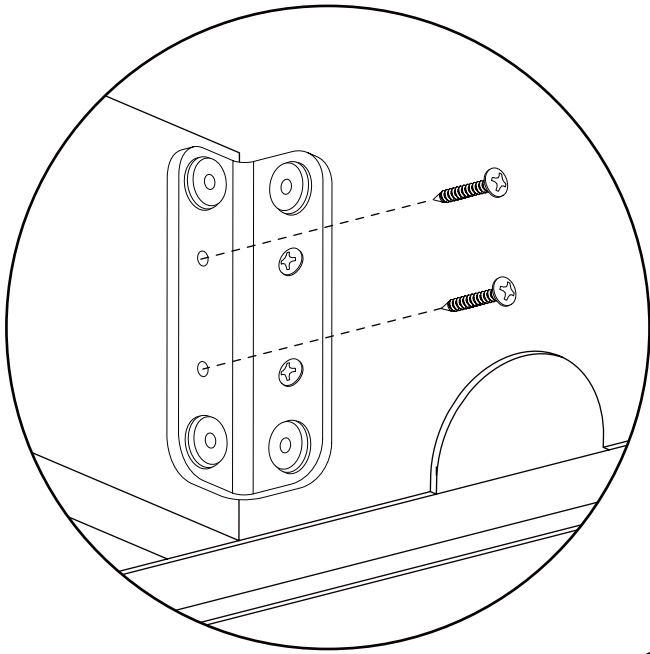
- Veneer and Laminate = 0.75"
- Quartz = 0.79"
- Glass = 0.50"
- Solid Surface = 12mm



12

Secure all machine screws between the rail and sub-top.

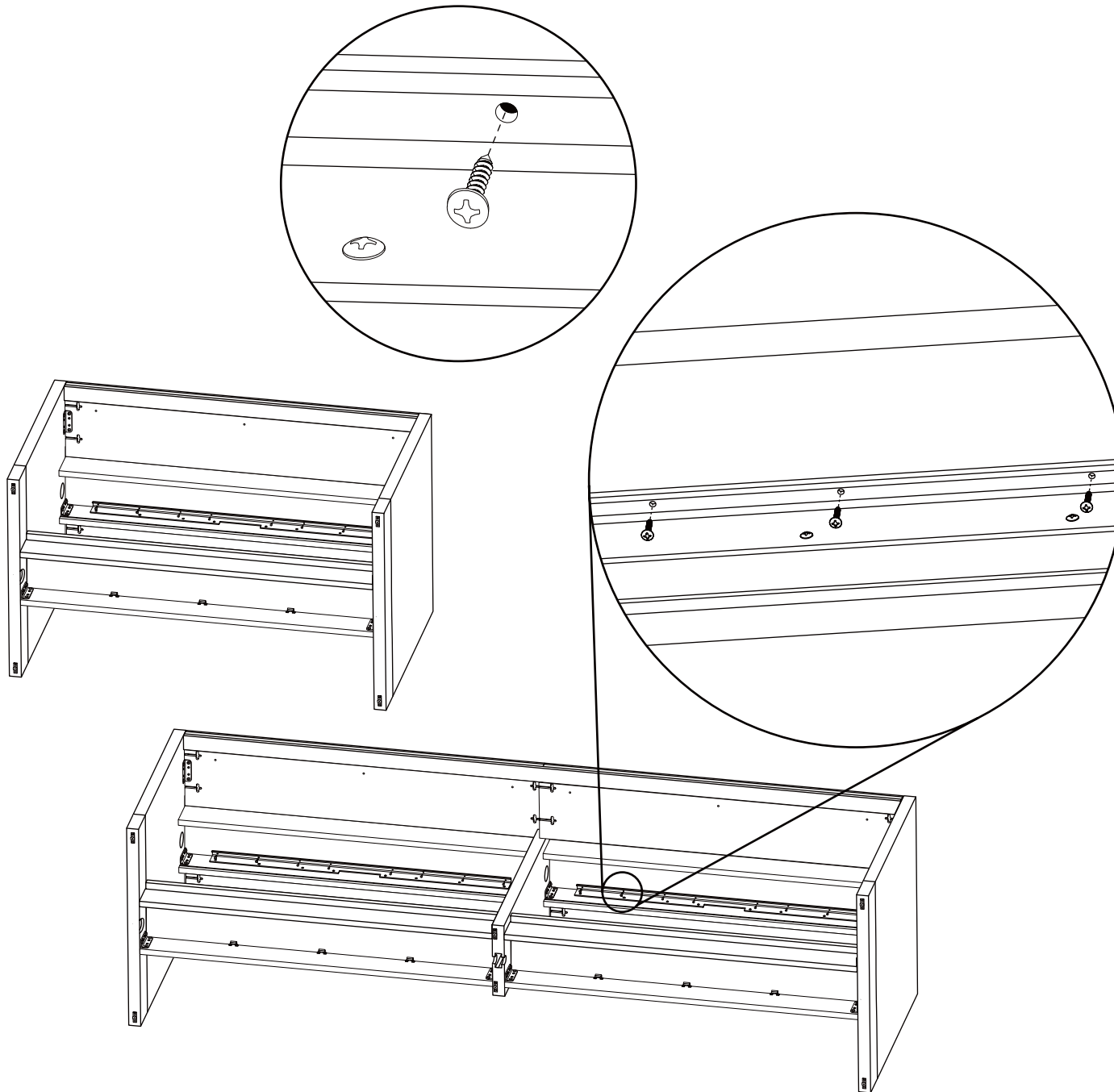
#8 x 1" Philips Truss Head Screw



13

Attach stiffener to sub-top using the screws provided.

#8 x 1" Philips Truss Head Screw

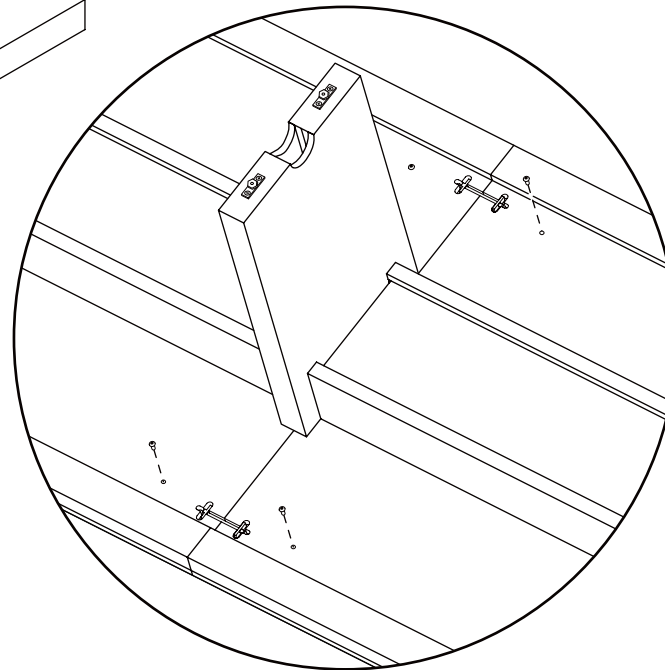
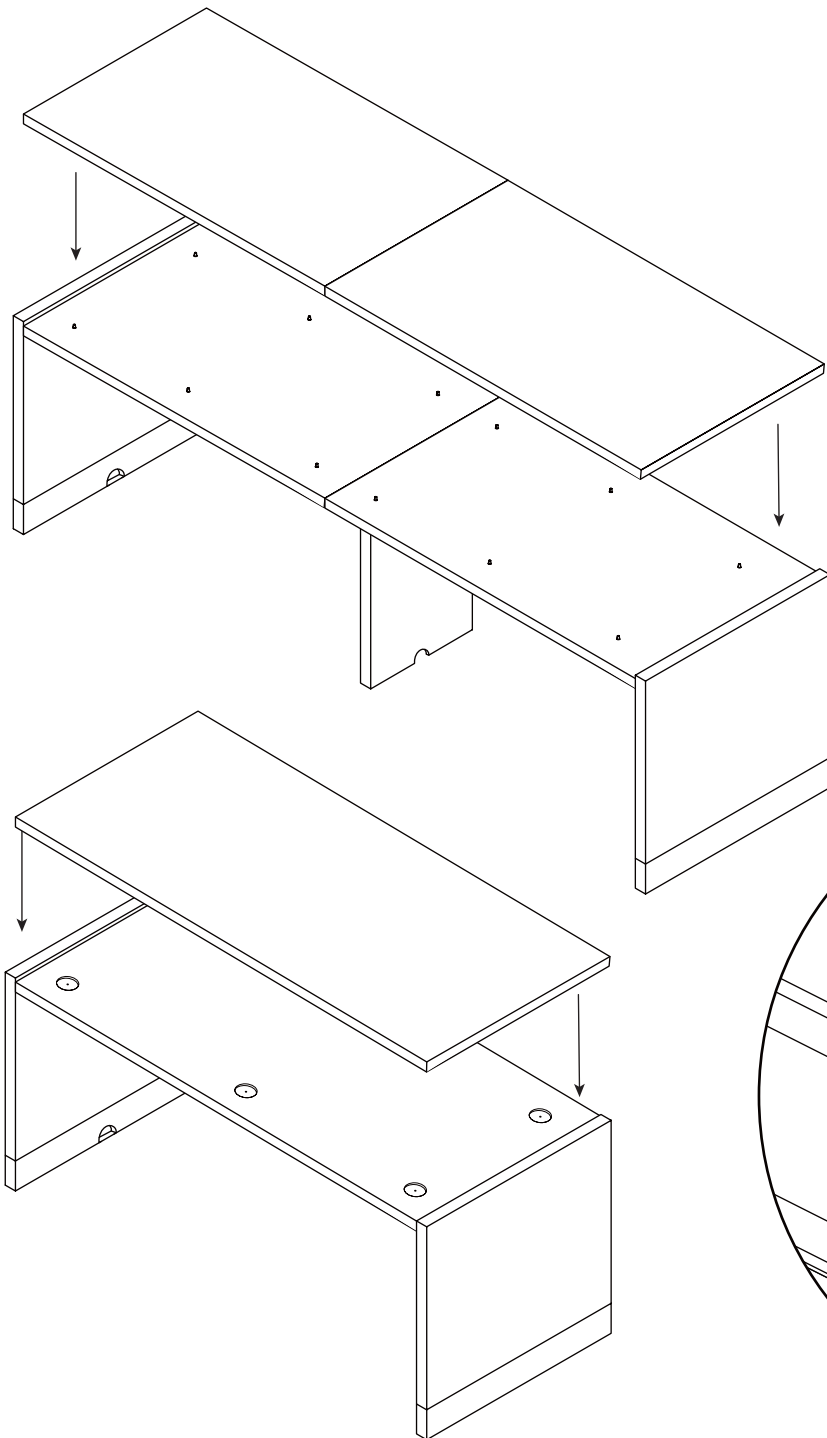


14

Attach the top to the sub-top using mechanical fasteners, centered on the depth and width of the table.

Notes:

- Table base should be level on all sides before any top is applied.
- To ensure a proper seal, all glass top surfaces should be installed with silicone adhesive (not included).
- For veneer and laminate surfaces, use flat internal hex head screws (included).
- For quartz and solid surfaces, use Phillips head screws (included).
- Align the top surface to the top of the end bases, then secure it in place with wood screws. Wood screws are to be used to secure final position of brackets between the base and the subtop.



1/4-20 x 1.4" Flat Internal Hex Head Screw



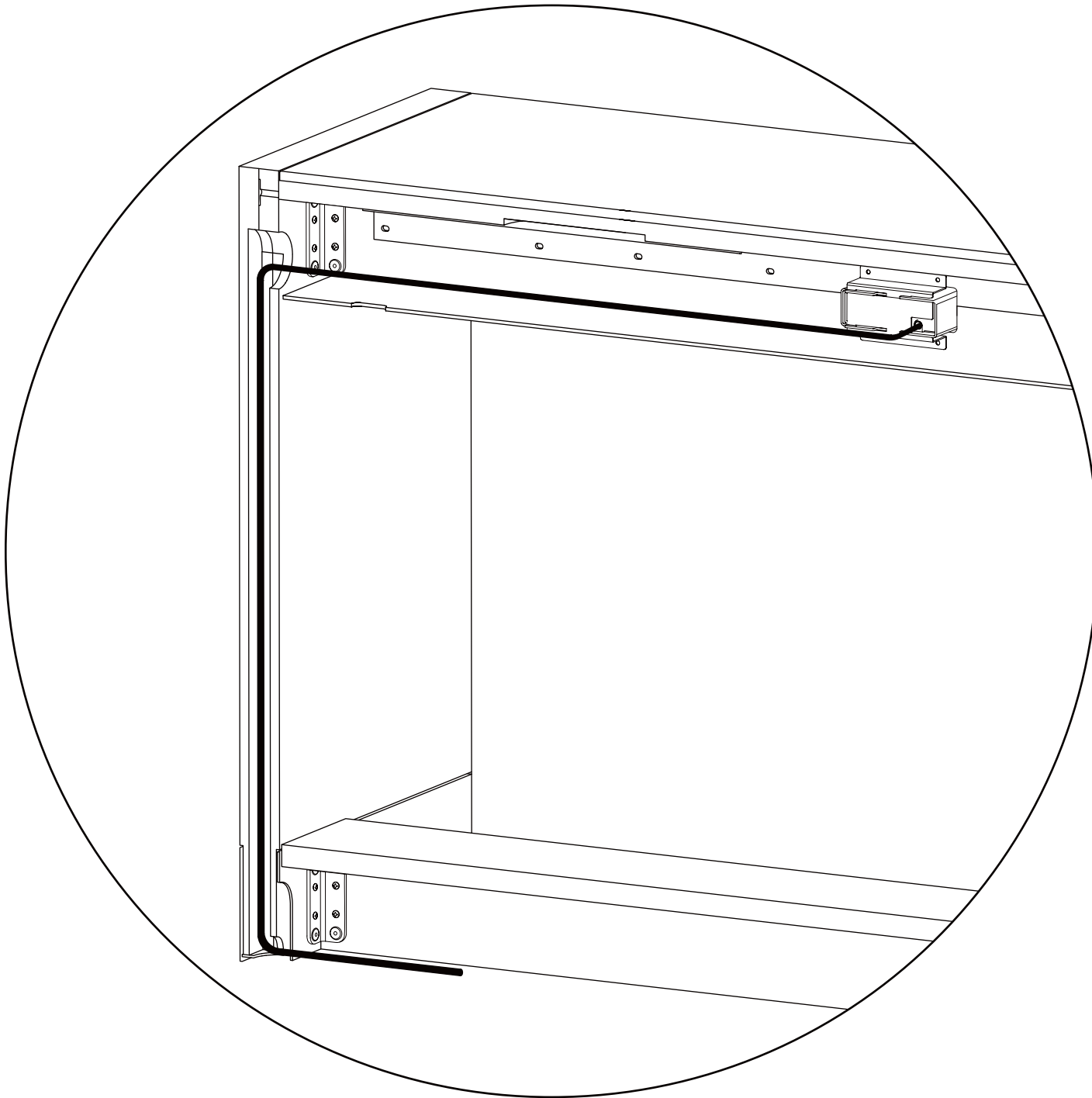
1/4-20 x 0.75" Phillips Head Screw



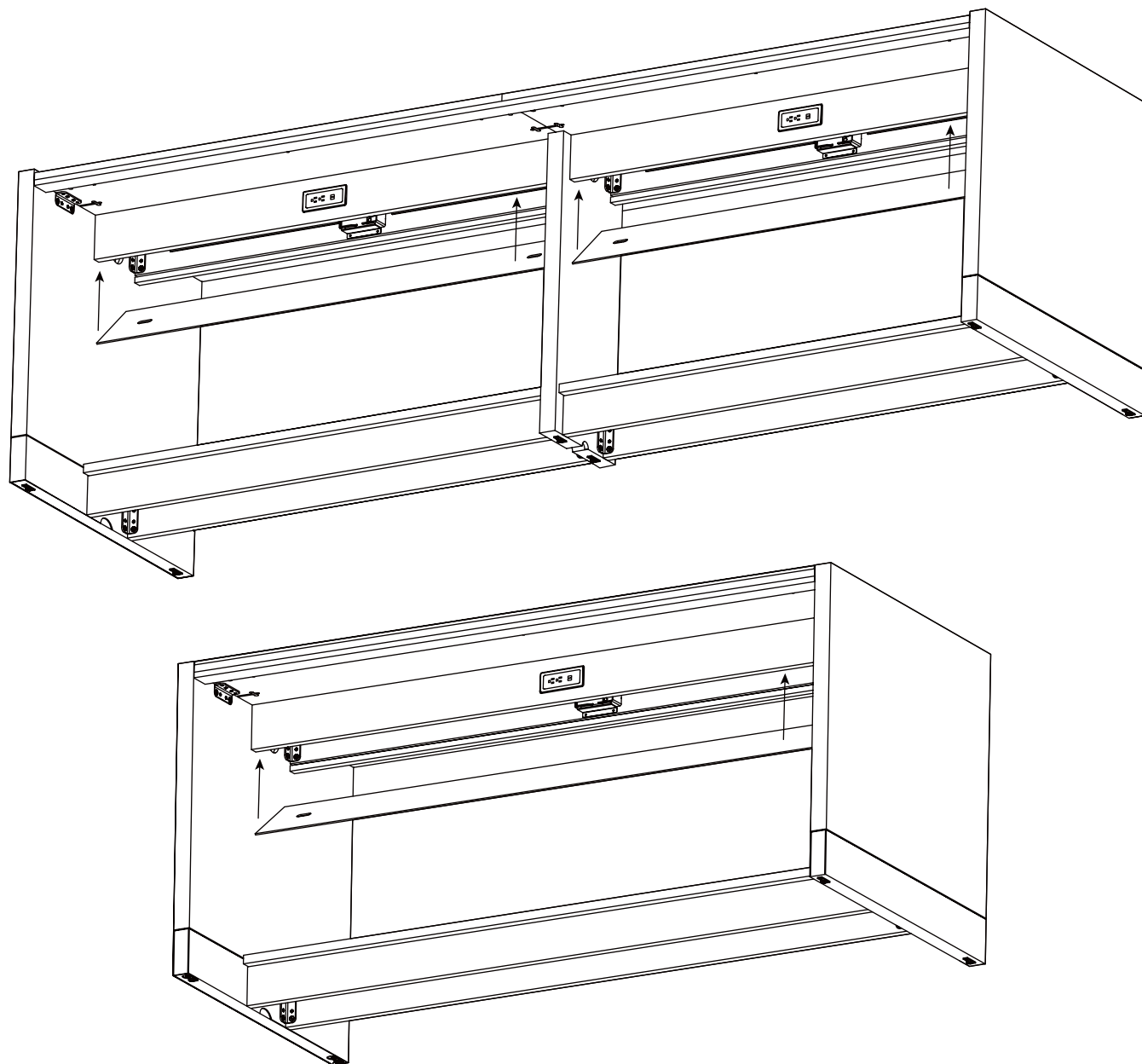
15

Wire Management

Route the wire along the grooves shown in the illustration.



16

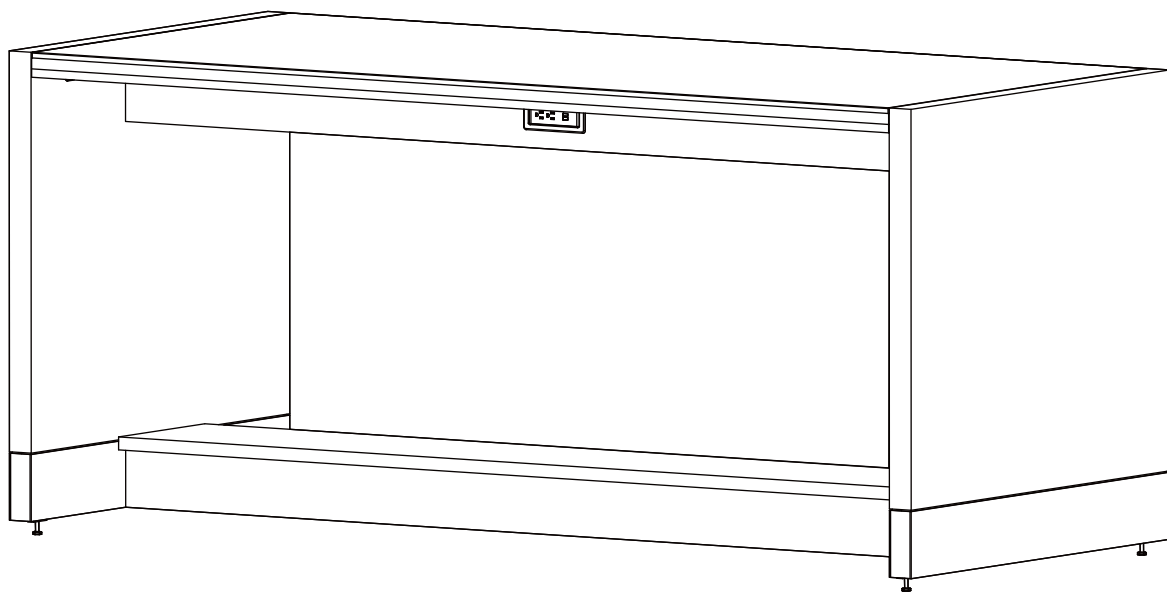
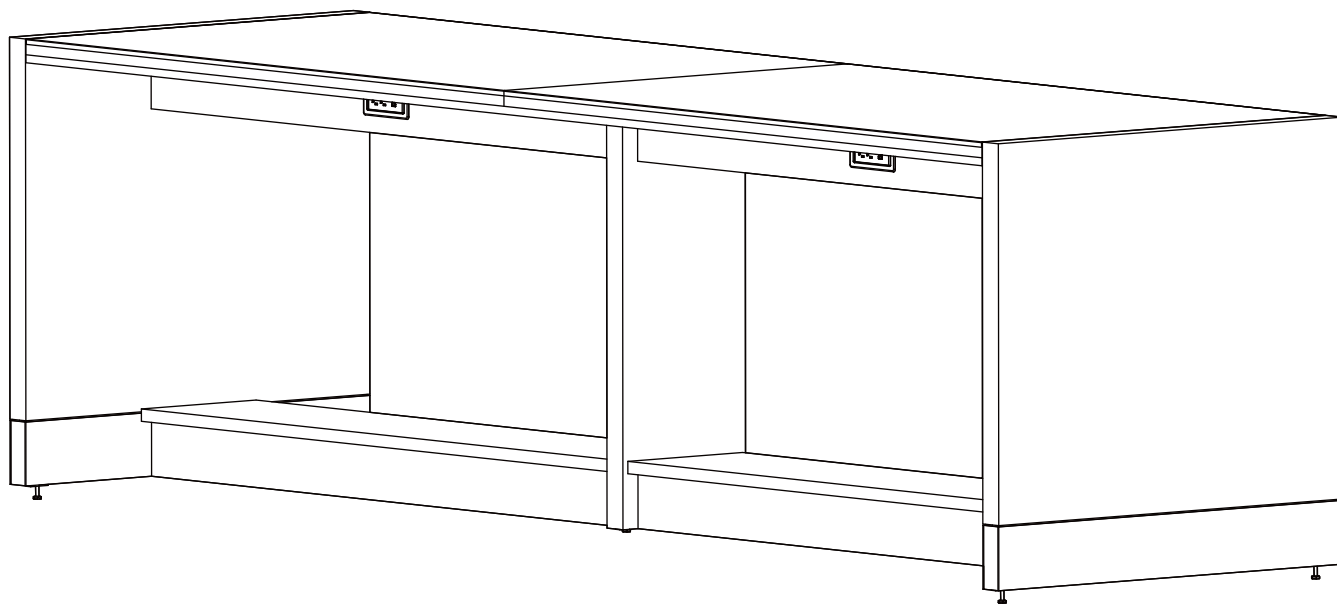


Install the dust cover into the groove on the inside of the stretcher rails.

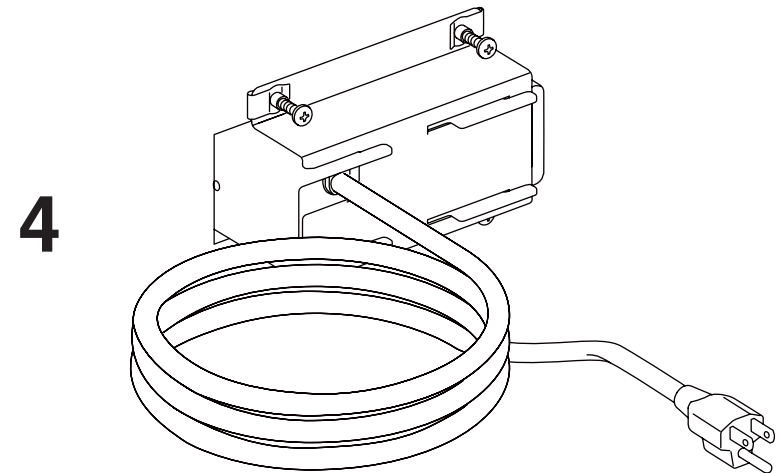
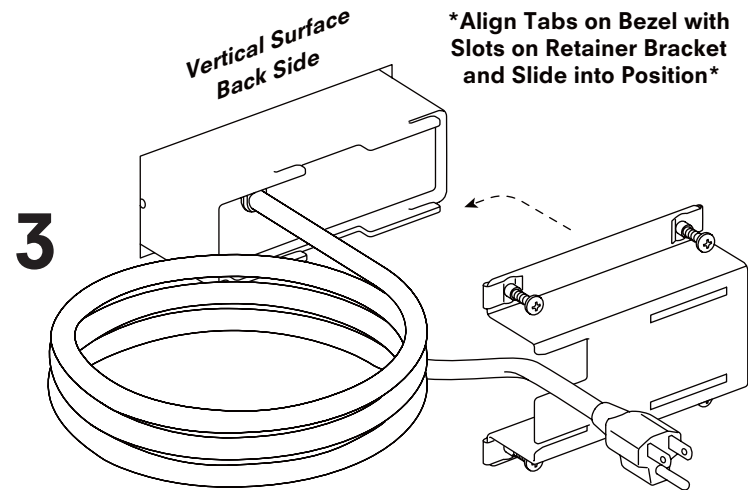
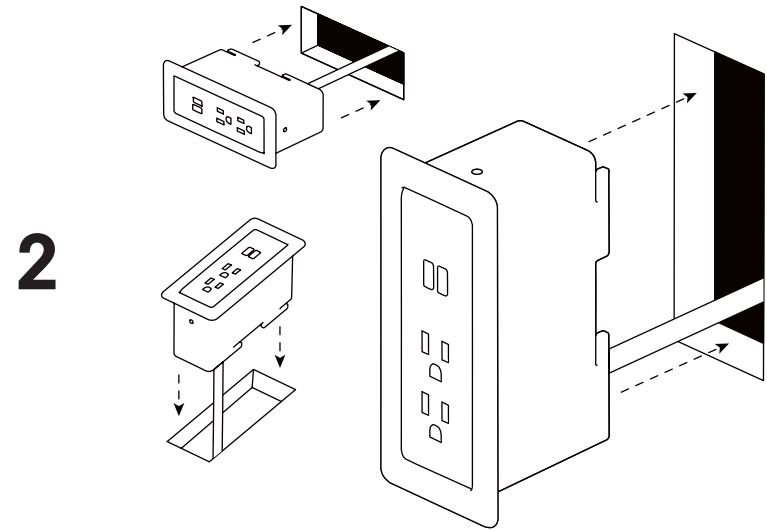
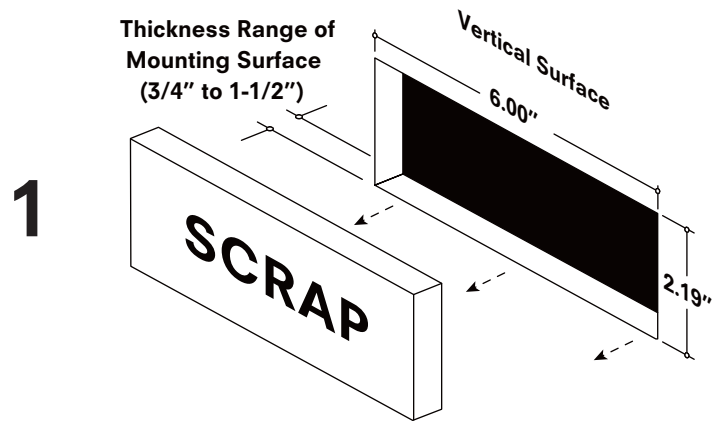
Notes: The dust cover should be inclined during installation.

17

Level table by adjusting glide.



Ashley Duo Bezel



HB F

WWW.HBF.COM