

G S A
N O T E D E S K



GSA Contract Number
47QSM22D08P9

2 0 2 4



Desk Sustainability

ANSI/BIFMA e3-2014e LEVEL® Furniture Sustainability Stand Certification

A majority of HBF's products have met the necessary qualifications to achieve LEVEL® certification. LEVEL® is the multi-attribute sustainability certification based on the ANSI/BIFMA e3 Furniture Sustainability Standard. The standard and certification were created to deliver the most open and transparent means of evaluating and communicating the environmental and social impacts of furniture products in the built environment. Taking into account a company's social actions, energy usage, material selection and human and ecosystem health impacts, LEVEL® addresses how a product is sustainable from multiple perspectives. The organization, facilities, and products are audited on an annual basis to ensure ongoing compliance and improvement.

With LEVEL®, customers can make informed choices about sustainable commercial office furniture. The LEVEL® mark identifies that a product has been vetted by an independent third party certifier and its numeric marking of 1, 2, or 3 indicates the threshold of certification the product has achieved. A majority of HBF's seating, occasional tables, and conference lines are LEVEL® certified. Please download the certificates from our product pages for the complete details. For more information about the ANSI/BIFMA LEVEL® standard, visit www.levelcertified.org.

Indoor Advantage™ Gold Certified

HBF occasional table products are Indoor Advantage™ Gold Certified.

SCS Global Services, a reputable third-party certification and assessment body of environmental, sustainability and safety claims since 1984, has developed internationally recognized standards and certification programs to assist businesses with improving their environmental efforts, social accountability and product performance.

GSA/Federal Contract Information

GSA Contract Number 47QSMA22D08P9

Model numbers identified with the following verbiage "When purchased separately without a configurable TAA compliant end product, not on GSA contract" is to mean that these configurable parts or components:

- Have no functionality or capability without being integrated into an end product; and
- Are considered **Open Market** if purchased without a configurable TAA compliant end product.

Desk Finish Options

Veneer and Finishes

Wood owes its inherent beauty to variations in color, grain, and texture; therefore, these variations are not considered defects. Due to the natural color and grain variances of wood the final finish color, texture and grain may vary from one furniture piece to another even though they are finished at the same time. Exposure to light and the aging process will cause changes in surface color of natural wood products. Light finishes on wood products do not mask the natural characteristics of wood. HBF does not guarantee the exact matching of grain, pattern and color.

An upcharge of **10% Net** per unit for conference tables, with a minimum upcharge of **\$500 Net** per order, will apply for any custom wood finish.

Refer to the following pages for product material options.

OAK: (RK) FINISHES



RK400
Clear



RK402
Black Opaque



RK937
Bark

TACK PANEL *Cork panel available on HDE42102E-304924 and HDE42103E-304924*



Oyster Shell

POWER MODULE:

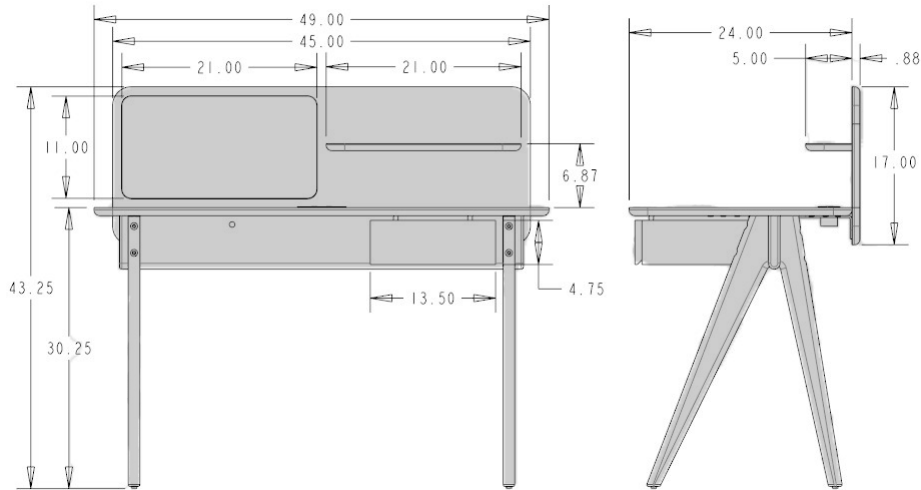
Flush in-surface mounted, Black Powder Coat, 2-port unit with 1 power receptacle + 1 dual USB, 15 amp plug, 72" cord.



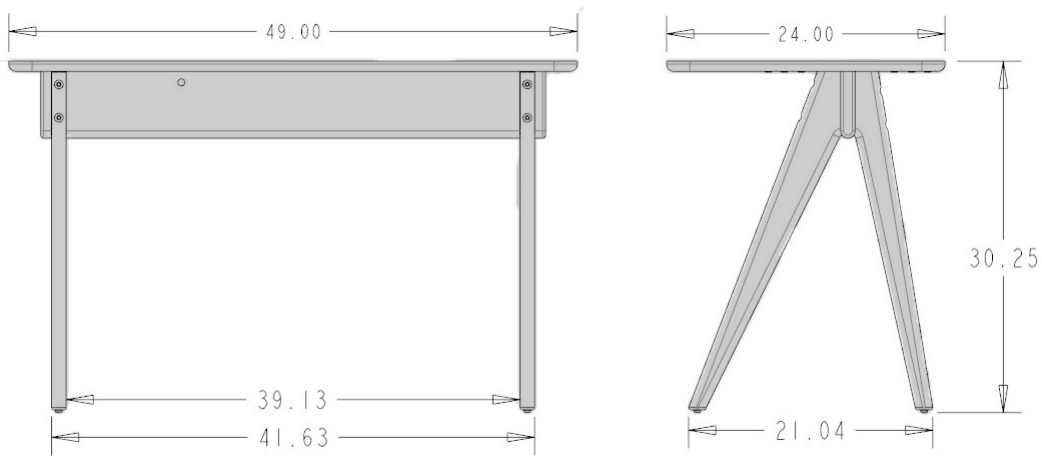
Screen images are intended as a guide only and should not be regarded as absolutely correct. For exact color/texture, please visit www.hbf.com to request an actual sample.



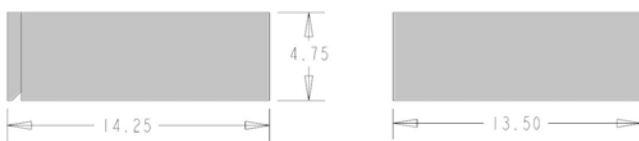
NOTE DESK *Fully optioned*



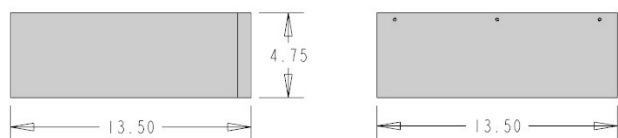
NOTE DESK *Base model*



DESK DRAWER



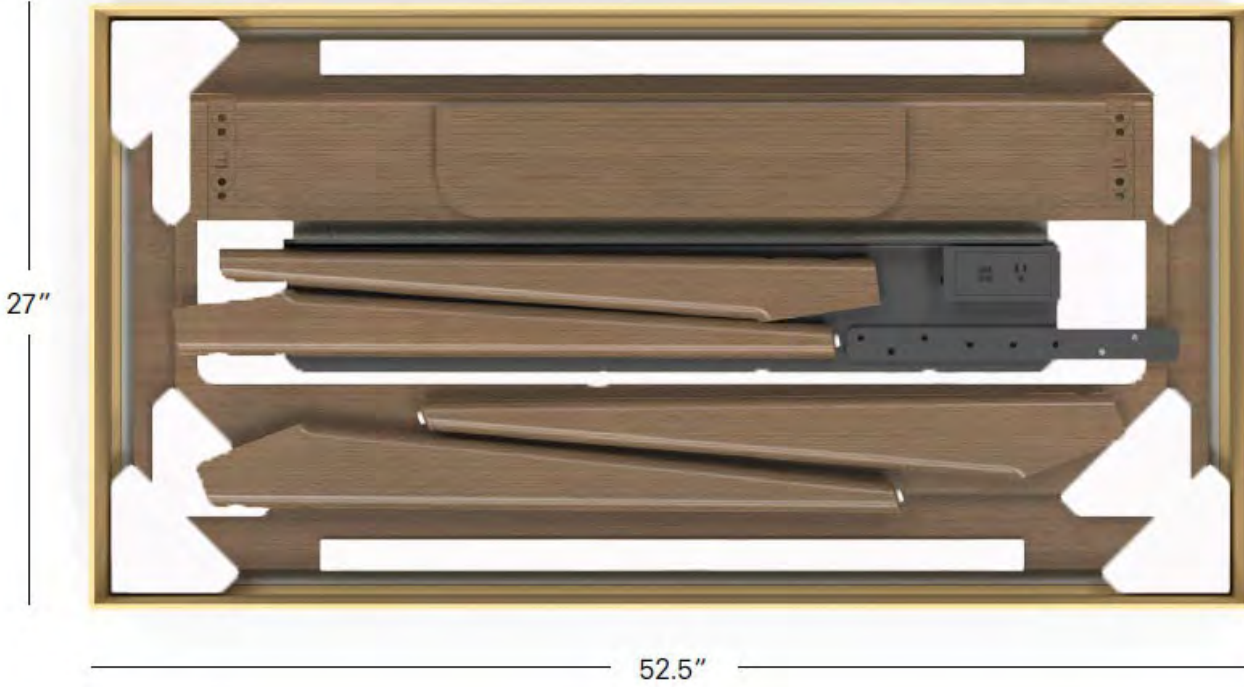
DESK CUBBY





NOTE DESK FLAT PACK SHIPPING CONFIGURATION:

Flat packed to ship to commercial or residential addresses.





Note Series Specifications

| | |
|-----------------------|---|
| Wood | Oak |
| Power | Available (Refer to page 2 for additional information) |
| Drawer Cubby | Oak Positioned RSF or LSF (Purchased separately) |
| Half Shelf | Oak RSF only (Standard on the HDE42102E-304924 only) |
| Tack Panel | Standard on models with half-back or full-back panels. Cork; color Oyster Shell |

Note Desk



| Style Number | Description | List Price | OH | OW | OD | Shipping Weight | Cube |
|-------------------------|-------------|-------------|-------|----|----|-----------------|------|
| HDE42101E-304924 | wood, oak | 2140 | 30.25 | 49 | 24 | 86 | 6.07 |

Desk, Wood, No Back

ANSI/BIFMA LEVEL® Furniture Sustainability Standard certified
Indoor Advantage™ certified

PLEASE SPECIFY THE FOLLOWING TO ORDER:

| MODEL NUMBER | TOP MATERIALS FINISH | LEG MATERIALS FINISH | POWER |
|--------------|---|---|--|
| | Options for wood finishes: RK = Oak 400 = Clear 402 = Black Opaque 937 = Bark | Options for wood finishes: RK = Oak 400 = Clear 402 = Black Opaque 937 = Bark | Options: NPWR = No Power PWR = Power +\$125 GRM = Grommet <i>Power is optional. Please refer to page 2 for more information on the module.</i> |
| | | | |

HDE42101E-304924.Top.Leg.Power Example: HDE42101E-304924.RK400.RK400.NPWR



Note Desk



| Style Number | Description | List Price | OH | OW | OD | Shipping Weight | Cube |
|------------------|-------------|------------|-------|----|--------|-----------------|------|
| HDE42102E-304924 | wood, oak | 3450 | 43.25 | 49 | 24.875 | 96 | 6.07 |

Desk, Wood, Back with Half Tack Panel and Half Wooden Shelf

ANSI/BIFMA LEVEL® Furniture Sustainability Standard certified
Indoor Advantage™ certified

PLEASE SPECIFY THE FOLLOWING TO ORDER:

| MODEL NUMBER | TOP MATERIALS FINISH | LEG MATERIALS FINISH | BACK MATERIALS FINISH | POWER |
|--------------|---|---|---|--|
| | Options for wood finishes: RK = Oak 400 = Clear 402 = Black Opaque 937 = Bark | Options for wood finishes: RK = Oak 400 = Clear 402 = Black Opaque 937 = Bark | Options for wood finishes: RK = Oak 400 = Clear 402 = Black Opaque 937 = Bark | Options: NPWR = No Power PWR = Power +\$125 GRM = Grommet <i>Power is optional. Please refer to page 2 for more information on the module.</i> |

HDE42102E-304924.Top.Leg.Back.Power Example: HDE42102E-304924.RK400.RK400.RK400.NPWR



Note Desk



| Style Number | Description | List Price | OH | OW | OD | Shipping Weight | Cube |
|------------------|-------------|------------|-------|----|--------|-----------------|------|
| HDE42103E-304924 | wood, oak | 3360 | 43.25 | 49 | 24.875 | 96 | 6.07 |

Desk, Wood, Back with Full Tack Panel

ANSI/BIFMA LEVEL® Furniture Sustainability Standard certified
Indoor Advantage™ certified

PLEASE SPECIFY THE FOLLOWING TO ORDER:

| MODEL NUMBER | TOP MATERIALS FINISH | LEG MATERIALS FINISH | BACK MATERIALS FINISH | POWER |
|--------------|---|---|---|---|
| | Options for wood finishes: RK = Oak 400 = Clear 402 = Black Opaque 937 = Bark | Options for wood finishes: RK = Oak 400 = Clear 402 = Black Opaque 937 = Bark | Options for wood finishes: RK = Oak 400 = Clear 402 = Black Opaque 937 = Bark | Options: NPWR = No Power PWR = Power + \$125 GRM = Grommet <i>Power is optional. Please refer to page 2 for more information on the module.</i> |

HDE42103E-304924.Top.Leg.Back.Power Example: HDE42103E-304924.RK400.RK400.RK400.NPWR



Note Desk Drawer



| <i>Style Number</i> | <i>Description</i> | <i>List Price</i> | <i>OH</i> | <i>OW</i> | <i>OD</i> | <i>Shipping Weight</i> | <i>Cube</i> |
|---------------------|--------------------------|-------------------|-----------|-----------|-----------|------------------------|-------------|
| HAE421-010 | <i>drawer, wood, oak</i> | 790 | 4.75 | 13.5 | 14.25 | 15 | 0.73 |

Desk Drawer, Wood

ANSI/BIFMA LEVEL® Furniture Sustainability Standard certified
Indoor Advantage™ certified

Note Desk Cubby



| <i>Style Number</i> | <i>Description</i> | <i>List Price</i> | <i>OH</i> | <i>OW</i> | <i>OD</i> | <i>Shipping Weight</i> | <i>Cube</i> |
|---------------------|-------------------------|-------------------|-----------|-----------|-----------|------------------------|-------------|
| HAE421-020 | <i>cubby, wood, oak</i> | 660 | 4.75 | 13.5 | 13.5 | 15 | 0.73 |

Desk Cubby, Wood

ANSI/BIFMA LEVEL® Furniture Sustainability Standard certified
Indoor Advantage™ certified

PLEASE SPECIFY THE FOLLOWING TO ORDER:

| | |
|--------------|---|
| MODEL NUMBER | MATERIALS FINISH Options for wood finishes: RK = Oak 400 = Clear 402 = Black Opaque 937 = Bark |
| | |

Drawer: HAE421-010.Finish Example: HAE421-010.RK400 Cubby: HAE421-020.Finish Example: HAE421-020.RK400