

Beyond smart work



smart **b**usiness **p**artner

Unified Cloud Connection (option)

From the MFD's control panel, you can upload to or print from various cloud-based services. Apps for these services can be installed on the MFD via Sharp's Application Portal, and update alerts ensure that you're always using the latest versions. Single sign-on gives you easy access to your chosen cloud services—no need to re-enter credentials each time you reconnect to the same service. The MFD also supports Microsoft Entra ID, a secure cloud-based service for managing identities and controlling device access. Token-based authentication gives you safe and easy access to any Microsoft service with a single login.

Solid Security

The BP-56C26 has multiple levels of security to keep the device—and your precious data—secure. When booting up, the MFD checks for any anomalies in the BIOS firmware. If it finds a problem, it aborts the startup and launches an automatic BIOS recovery. If there are other firmware-related issues, the MFD will attempt recovery to protect the system.

Link Mobile Devices

Mobile devices installed with the Sharpdesk Mobile application can connect directly to the MFD for printing or downloading scanned data. The MFD also supports AirPrint (option) and the Sharp Print Service Plugin (option). It's a smoother way to get the job done.

All the Needed Finishing Options

The BP-56C26 meets all common office needs with a variety of finishing options—from stapling to punching to folding. You get seamless output from printing to finishing.

My Folder Print

With the My Folder Print feature, print jobs are saved on the BP-56C26 in a personal folder that's like a private mailbox. A folder is created automatically based on information from the PC that sent the print job. Before printing out a document, you can preview print data at the MFD's control panel and avoid printing errors or mix-ups.

Eco-friendly Design

Sharp has applied its advanced eco technologies across all areas of the MFD. Designed for energy efficiency, the MFD boasts an impressively low ENERGY STAR® TEC value. The MFD's main body is made from approximately 50% recycled plastic, and its packaging uses recyclable paper-based materials instead of polystyrene foam.

10.1-inch Full-flat Touchscreen

With a variety of functions accessible via simple, intuitive icons, MFD operation is smooth and easy. The control panel shows the state of your MFD, displaying current operation and notifications for things like paper, toner, and maintenance.

High-performance DSPF

The DSPF (duplex single pass feeder) scans both pages of two-sided documents in one pass—in batches of up to 300 sheets. With scanning speeds of up to 240 opm* (two-sided), the MFD is quick to finish even large jobs. The DSPF stops automatically when sheets are not fed in straight. A dedicated business card feeder on the DSPF scans batches of up to 150 cards.

Smart Scanning

Simply tap the Auto Set button and the MFD will automatically determine the optimal resolution, gradation, and compression rate for your scan jobs. It also automatically reorients pages right side up (option) and corrects any skewed sheets.

Online Firmware Updates

The MFD's firmware can be automatically updated—without the need for service operation—via a firmware update service. That way you're always using the latest system for your MFD.

*Originals per minute; when feeding A4 sheets.

PROFESSIONAL-QUALITY IN-LINE FINISHING OPTIONS

A range of finishing options work to automate time-consuming finishing tasks. Options are available to suit a variety of workplaces and applications.

| Features | BP-FD10 Folding Unit | BP-FN18 Finisher | BP-FN14 Saddle Stitch Finisher | BP-FN14 Saddle Stitch Finisher + BP-FD10 Folding Unit | BP-FN16 Saddle Stitch Finisher | BP-FN16 Saddle Stitch Finisher + BP-FD10 Folding Unit |
|----------------------|----------------------|------------------|--------------------------------|---|--------------------------------|---|
| | Stapling | | ✓ | ✓ | ✓ | ✓ |
| Stapleless stapling | | ✓ | | | ✓ | ✓ |
| Manual stapling | | ✓ | | | ✓ | ✓ |
| Punching*1 | | ✓ | ✓ | ✓ | ✓ | ✓ |
| Saddle folding | | | ✓ | ✓ | ✓ | ✓ |
| Saddle stitching | | | ✓ | ✓ | ✓ | ✓ |
| Half-folding | ✓ | | | ✓ | | ✓ |
| Z-folding | ✓ | | | ✓ | | ✓ |
| Z-folding + Stapling | | | | | | ✓ |
| C-folding | ✓ | | | ✓ | | ✓ |
| Accordion folding | ✓ | | | ✓ | | ✓ |

| Paper capacity*2 | Finisher trays*3 | BP-FD10 Folding Unit | BP-FN18 Finisher | BP-FN14 Saddle Stitch Finisher | BP-FN14 Saddle Stitch Finisher + BP-FD10 Folding Unit | BP-FN16 Saddle Stitch Finisher | BP-FN16 Saddle Stitch Finisher + BP-FD10 Folding Unit |
|-------------------|------------------|----------------------|------------------|--------------------------------|---|--------------------------------|---|
| Finisher trays*3 | - | | 500 sheets | 1,250 sheets | 1,250 sheets | 3,250 sheets | 3,250 sheets |
| Folding unit tray | 200 sheets | 200 sheets | - | - | 100 sheets | - | 100 sheets |

*1: Requires optional punch module. *2: A4, 80 g/m². *3: Max. paper capacity of the finisher including the top tray.

Stapling

Rear corner Front corner 2-point side

Punching

2-hole punching 3-hole punching 4-hole punching 4-hole wide punching

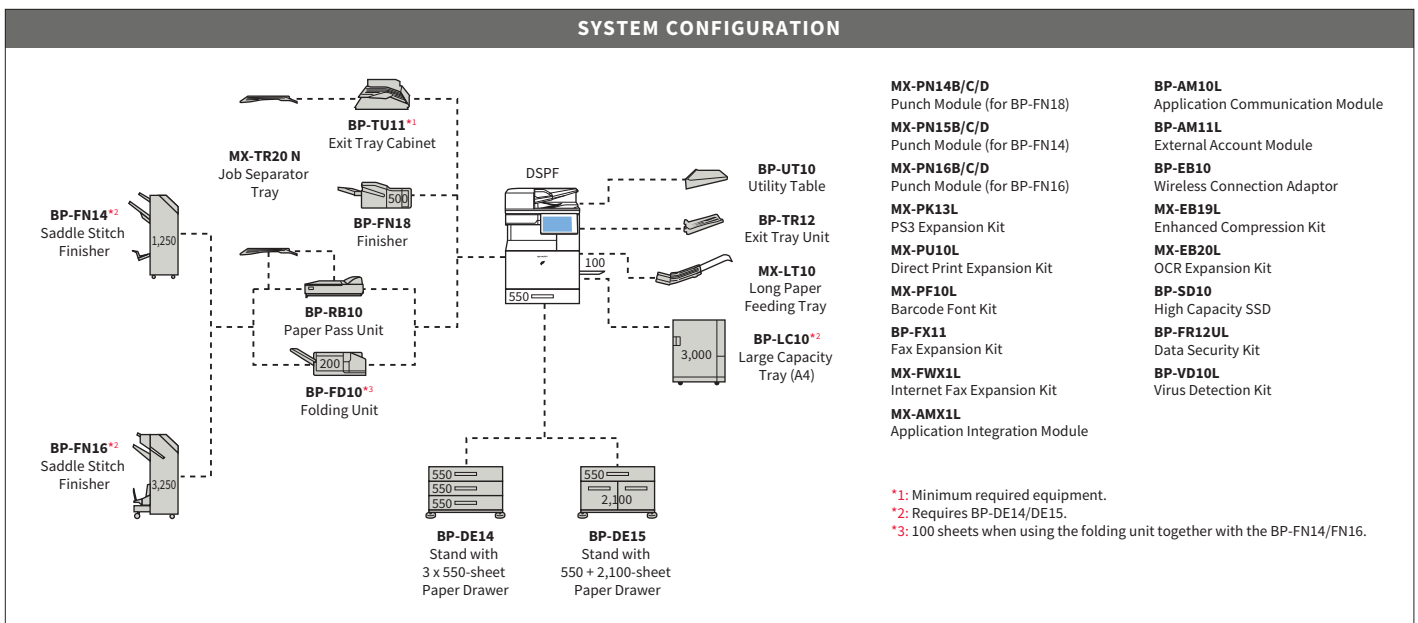
Stapleless Stapling

Saddle Folding/Stitching

Saddle fold Saddle stitch

Folding

Half-fold Z-fold C-fold Accordion fold



SPECIFICATIONS FOR OPTIONAL EQUIPMENT

MX-TR20 N Job Separator Tray

| | |
|----------------|---|
| Paper size | SRA3 to A6* ¹ |
| Paper capacity | 100 sheets (A4) 50 sheets (SRA3, A3W, SRA4, A3, B4, B5, A5, A6* ¹) |

BP-TR12 Exit Tray Unit

| | |
|----------------|--------------------------|
| Paper size | SRA3 to A6* ¹ |
| Paper capacity | 120 sheets |

BP-FN18 Finisher

| | | |
|-------------------|------------------------|---|
| Paper size | Non offset | SRA3 to A6* ¹ |
| | Offset/staple | A3 to B5* ² |
| | Stapleless staple | A3 to B5* ³ |
| Paper capacity | Non offset | 500 sheets (A4, B5, A5) 250 sheets (SRA3, A3W, SRA4, A3, B4, A6* ¹) |
| | Offset | 500 sheets (A4, B5* ²), 250 sheets (A3, B4) |
| | Staple | 30 sets or 500 sheets (A4, B5* ²) 30 sets or 250 sheets (A3, B4) |
| | Stapleless staple | 30 sets |
| | Stapling capacity | Staple |
| Stapling capacity | Stapleless staple | 10 sheets* ⁴ (A4* ² , B5* ²), 5 sheets* ⁵ (A3, B4) |
| | Manual staple | Total paper thickness 4 mm or less (40 sheets) |
| | Staple position | Staple mode |
| Staple position | Stapleless staple mode | 1 location (rear) |
| | Manual staple mode | 1 location |

BP-FN14 Saddle Stitch Finisher

| | | |
|----------------|----------------------------|--|
| Paper size | Non offset | SRA3 to A6* ¹ |
| | Offset | A3W to A5 |
| | Staple | A3W to B5 |
| Paper capacity | Finisher tray (Non offset) | 1,000 sheets (A4* ²) 500 sheets (SRA3, A3W, SRA4, A3, B4, A4* ¹ , B5, A5, A6* ¹) |
| | (Offset) | 1,000 sheets (A4* ²) 500 sheets (A3W, A3, B4, A4* ¹ , B5, A5) |
| | (Staple) | 100 sets or 1,000 sheets (A4* ²) 50 sets or 500 sheets (A3W, A3, B4, A4* ¹ , B5) |
| | Top tray | 250 sheets (A4, B5, A5, A6* ¹) 50 sheets (SRA3, A3W, SRA4, A3, B4) |
| | Saddle stitch tray | 7 sets of 11–15 sheets, 10 sets of 6–10 sheets, 20 sets of 1–5 sheets |
| | Stapling capacity | 50 sheets (A4, B5), 30 sheets (A3W, A3, B4) |
| | Staple position | 3 locations (front, rear, or 2-point stapling) |

BP-FN16 Saddle Stitch Finisher

| | | |
|-------------------|----------------------------|---|
| Paper size | Non offset | SRA3 to A6* ¹ |
| | Offset/staple | A3 to B5* ² |
| | Stapleless staple | A3, A4* ² |
| Paper capacity | Finisher tray (Non offset) | 3,000 sheets (A4* ² , B5* ²) 1,500 sheets (SRA3, A3W, SRA4, A3, B4, A4* ¹ , B5* ¹ , A5) 750 sheets (A6* ¹) |
| | (Offset) | 3,000 sheets (A4* ² , B5* ²) 1,500 sheets (A3, B4, A4* ¹) |
| | (Staple) | 200 sets or 3,000 sheets (A4* ² , B5* ²) 100 sets or 1,500 sheets (A3, B4, A4* ¹) |
| | (Stapleless staple) | 200 sets (A4* ²), 100 sets (A3) |
| | Top tray | 250 sheets (A4* ² , B5* ² , A5) 125 sheets (SRA3, A3W, SRA4, A3, B4, A4* ¹ , B5* ¹) |
| | Saddle stitch tray | 10 sets of 11–20 sheets, 15 sets of 6–10 sheets, 25 sets of 1–5 sheets |
| | Stapling capacity | Staple |
| Stapling capacity | Stapleless staple | 10 sheets* ⁴ (A4* ²), 5 sheets* ⁵ (A3) |
| | Manual staple | Total paper thickness 9 mm or less (65 sheets) |
| | Staple position | Staple mode |
| Staple position | Stapleless staple mode | 1 location (rear) |
| | Manual staple mode | 1 location |

Punch Modules

| | | | | |
|-----------------|------------------|------------------------|------------------------|----------|
| Model name | For BP-FN18 | MX-PN14B* ⁶ | MX-PN14C* ⁷ | MX-PN14D |
| | For BP-FN13/FN14 | MX-PN15B* ⁶ | MX-PN15C* ⁷ | MX-PN15D |
| | For BP-FN15/FN16 | MX-PN16B* ⁶ | MX-PN16C* ⁷ | MX-PN16D |
| Number of holes | | 3 | 2 or 4 | 4 (wide) |

BP-FD10 Folding Unit

| | | |
|----------------|-------------------|---|
| Folding mode | | Z-fold, C-fold, Accordion-fold, Half-fold |
| Paper size | Z-/Half-fold | A3, B4, A4* ¹ |
| | C-/Accordion-fold | A3, A4* ¹ |
| Paper capacity | Not folded | 200 sheets |
| | Folded | 20 sheets* ⁸ |

BP-DE14 Stand with 3 x 550-sheet Paper Drawer

| | | |
|----------------|-------------------------|--------------------------|
| Paper size | Upper/middle/lower tray | SRA3 to A5* ¹ |
| Paper capacity | Upper/middle/lower tray | 550 sheets each |

BP-DE15 Stand with 550 + 2,100-sheet Paper Drawer

| | | |
|----------------|------------------|-------------------------------------|
| Paper size | Upper tray | SRA3 to A5* ¹ |
| | Lower right tray | A4* ² , B5* ² |
| | Lower left tray | A4* ² |
| Paper capacity | Upper tray | 550 sheets |
| | Lower right tray | 900 sheets |
| | Lower left tray | 1,200 sheets |

BP-LC10 Large Capacity Tray

| | |
|----------------|-------------------------------------|
| Paper size | A4* ² , B5* ² |
| Paper capacity | 3,000 sheets |

MX-LT10 Long Paper Feeding Tray

| | | |
|----------------|--------|-----------------|
| Paper size | Width | 90 to 320 mm |
| | Length | 458 to 1,300 mm |
| Paper capacity | | 1 sheet |

Note: All specifications relating to paper capacity refer to 80 g/m² plain paper.

*1: Short-edge feeding. *2: Long-edge feeding. *3: Long-edge feeding for A4 and B5 paper. *4: Guaranteed stapleable weight is up to 64 g/m² (8 sheets up to 81.4 g/m² and 6 sheets up to 105 g/m²). *5: Guaranteed stapleable weight is up to 64 g/m² (4 sheets up to 81.4 g/m² and 3 sheets up to 105 g/m²). *6: Accepts North American paper sizes. *7: Accepts ISO-standard paper sizes. *8: When used with a finisher, 30 Z- or half-folded sheets (A3 and B4). These sheets are ejected from the finisher.

SPECIFICATIONS

General

| | |
|---------------------------------------|--|
| Type | Desktop |
| Engine speed | A4 ^{*1} : Max. 26 ppm A3: Max. 15 ppm SRA3: Max. 14 ppm |
| Control panel display | 10.1-inch colour LCD touchscreen |
| Paper size | Max. SRA3, min. A6 ^{*2} |
| Paper capacity (80 g/m ²) | Standard: 650 sheets (550-sheet tray and 100-sheet bypass tray) Maximum: 6,300 sheets (650 sheets & optional 550 + 2,100-sheet tray and 3,000-sheet tray) |
| Paper weight | Tray: 60 g/m ² to 300 g/m ² Bypass tray: 52 g/m ² * ³ to 300 g/m ² 16 sec.* ⁵ |
| Warm-up time ^{*4} | |
| Memory | Standard: 5 GB (copy/print shared) |
| Storage | Standard: 128 GB SSD ^{*6} Option: 512 GB ^{*6} * ⁷ |
| Power requirements | Rated local AC voltage ±10%, 50/60 Hz |
| Power consumption | Max. 1.84 kW (220 V to 240 V) |
| Dimensions (W x D x H) ^{*8} | 609 x 662 x 860 mm |
| Weight (approx.) ^{*9} | 83 kg |

Copier

| | |
|--------------------------------|--|
| Original paper size | Max. A3 |
| First copy time ^{*10} | Colour: 7.6 sec. B/W: 6.5 sec. |
| Continuous copy | Max. 9,999 copies |
| Resolution | Scan (colour): 600 x 600 dpi Scan (B/W): 600 x 600 dpi, 600 x 400 dpi, 600 x 300 dpi ^{*11} Print (colour): 600 x 600 dpi, 9,600 (equivalent) x 600 dpi (depending on copy mode) Print (B/W): 1,200 x 1,200 dpi, 600 x 600 dpi, 9,600 (equivalent) x 600 dpi (depending on copy mode) Equivalent to 256 levels |
| Gradation | Equivalent to 256 levels |
| Zoom range | 25% to 400% (25% to 400% using DSPF) in 1% increments |
| Preset copy ratios | 10 ratios (5R/5E) |

Scanner

| | |
|--|--|
| Scan method | Push scan (via control panel) Pull scan (TWAIN-compliant application) |
| Scan speed ^{*12} (colour & B/W) | One-sided: Max. 120 originals/min. Two-sided: Max. 240 originals/min. |
| Resolution | Push scan: 100, 150, 200, 300, 400, 600 dpi Pull scan: 75, 100, 150, 200, 300, 400, 600 dpi 50 dpi to 9,600 dpi via user setting ^{*13} |
| File formats | TIFF, PDF, PDF/A-1a ^{*14} , PDF/A-1b, encrypted PDF, XPS, compact PDF ^{*15} * ¹⁶ , JPEG ^{*15} , searchable PDF ^{*14} , OOXML (pptx, xlsx, docx) ^{*14} , text (TXT [UTF-8]) ^{*14} , rich text (RTF) ^{*14} |
| Scan destinations | Email/desktop ^{*17} /FTP server/network folder (SMB)/USB drive/local drive |

- *1: Long-edge feeding.
- *2: Only short-edge feeding can be used with A6 paper.
- *3: Only A4 size for paper weighing 52 to 54 g/m². Recommended for use in a standard environment (21 to 25°C, 50% ±10% RH).
- *4: In a standard measurement environment. May vary depending on operating conditions and environment.
- *5: When starting the MFD via the power button. 29 seconds when starting via the main power switch.
- *6: Storage capacity depends on procurement and sourcing status.
- *7: Replacing the standard-equipped SSD with the optional BP-SD10 increases storage capacity to 512 GB.
- *8: Including protruberances.
- *9: Including the Exit Tray Cabinet.
- *10: Long-edge feeding of A4 sheets from 1st paper tray, using document glass, without Auto Colour Selection and Auto Colour mode, MFD in fully ready condition. May vary depending on operating conditions and environment.
- *11: Not available when using document glass.
- *12: Based on Sharp's A4 standard chart, using document feeder and long-edge feeding. Using factory default settings with Auto Colour Selection off. Scan speed will vary depending on the type of document and the scan settings.
- *13: Resolution will vary depending on the size of the scanned area.
- *14: Requires optional MX-EB20L.
- *15: Colour/greyscale only.
- *16: Requires optional MX-EB19L.
- *17: Requires Network Scanner Tool Lite.
- *18: Storage capacity will vary depending on the type of document and the scan settings.
- *19: Some features require optional equipment.
- *20: Requires optional BP-EB10.
- *21: Mac OS requires optional MX-PK13L.
- *22: Based on Sharp's standard chart with approx. 700 characters (A4 long-edge feeding) at standard resolution in Super G3 mode, 33,600 bps, JBIG compression.

Document Filing

| | |
|---|--|
| Document filing capacity ^{*18} | [Standard] Main and custom folders: Max. 5,000 pages or 500 files Quick file folder: Max. 5,000 pages or 500 files [Option] Main and custom folders: Max. 20,000 pages or 3,000 files Quick file folder: Max. 10,000 pages or 1,000 files |
| Stored jobs ^{*19} | Copy, print, scan, fax |
| Storage folders | Quick file folder, main folder, custom folder (max. 1,000 folders) |

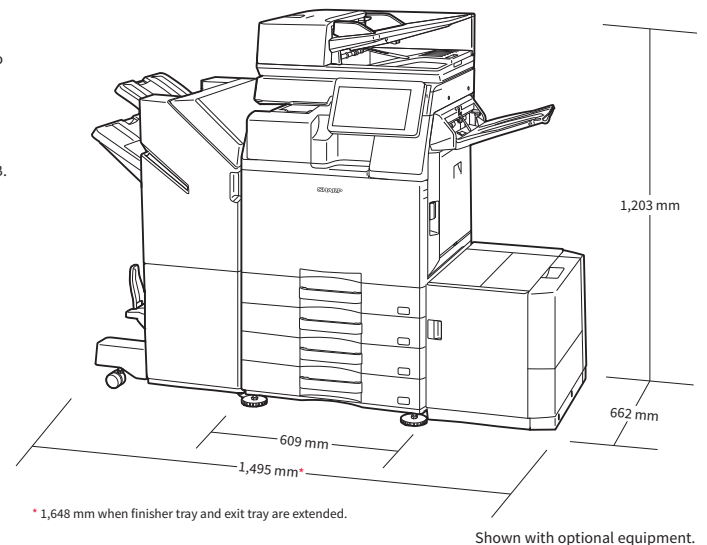
Printer

| | |
|-----------------------------|---|
| Resolution | 1,200 x 1,200 dpi, 600 x 600 dpi, 9,600 (equivalent) x 600 dpi |
| Interface | USB 2.0 (host, high-speed), USB 3.0 (host, super speed), 10Base-T/100Base-TX/1000Base-T, wireless LAN (IEEE 802.11 a/b/g/n/ac) ^{*20} |
| Supported OS ^{*21} | Windows Server 2016, Windows Server 2019, Windows Server 2022, Windows Server 2025, Windows 11, Mac OS 10.15, 11, 12, 13, 14, 15, 26 |
| Network protocols | TCP/IP |
| Printing protocols | LPR, Raw TCP (port 9100), POP3 (email printing), HTTP, FTP for downloading print files, IPP, SMB, WSD |
| PDL | Standard: PCL 6 emulation Option: Adobe PostScript 3 |
| Available fonts | 80 fonts for PCL, 139 fonts for Adobe PostScript 3 |

Facsimile (requires optional BP-FX11)

| | |
|-------------------------|--|
| Compression method | MH/MR/MMR/JBIG |
| Communication protocol | Super G3/G3 |
| Transmission time | Less than 3 seconds ^{*22} |
| Modem speed | 33,600 bps to 2,400 bps with automatic fallback |
| Transmission resolution | From Standard (203.2 x 97.8 dpi) to Ultra Fine (406.4 x 391 dpi) |
| Recording size | A3 to A5 |
| Memory | 4 GB (built-in) |
| Greyscale levels | Equivalent to 256 levels |

- Design and specifications are subject to change without prior notice.
- ENERGY STAR is a registered trademark owned by the US Environmental Protection Agency. The ENERGY STAR guidelines apply to products only in the US, Canada, and Japan.
- Microsoft, Microsoft Entra, Windows, and Windows Server are trademarks of the Microsoft group of companies. AirPrint and Mac are trademarks of Apple Inc., registered in the US and other countries and regions. Adobe and PostScript are either registered trademarks or trademarks of Adobe in the US and/or other countries. All other brand names and product names may be trademarks or registered trademarks of their respective owners.



Distributed by:

SHARP

SHARP CORPORATION OF AUSTRALIA PTY LTD
ABN 40 003 039 405
P.O. Box 84, Macquarie Park, NSW 2113
Tel: 1300 135 022
www.sharp.net.au