

Keysight Technologies

6670A Series Single-Output, 2000 W DC Power Supplies, GBIP

Data Sheet



Speed and accuracy for test optimization

- Fast, low-noise outputs
- Analog control of output voltage and current
- Fan-speed control to minimize acoustic noise
- Built-in measurements and advanced programmable features
- Protection features to ensure DUT safety



Introduction

This series of 2000 watt DC power supplies has the exceptional, proven reliability that test system engineers look for. It also has the unusual combination of high efficiency and low noise operation.

Programming of the DC output and the extensive protection features can be done either from the front panel or using industry standard SCPI commands, via the GPIB. Using the serial link, up to 16 power supplies can be connected through one GPIB address. Test system integration can be further simplified by using the *VXIplug&play* drivers.

The output voltage and current can also be controlled with analog signals. This is helpful for certain types of noisy environments, and also immediate reactions to process changes.

Lab-bench use is enhanced by the fan-speed control, which minimizes acoustic noise. The extremely low ripple and noise helps the built-in measurement system make extremely accurate current and voltage measurements.

Specifications

Specifications (at 0 ° to 55 °C unless otherwise specified)	6671A	6672A	6673A	6674A	6675A	
Number of outputs	1	1	1	1	1	
GPIB	Yes	Yes	Yes	Yes	Yes	
Output ratings						
Output voltage	0 to 8 V	0 to 20 V	0 to 35 V	0 to 60 V	0 to 120 V	
Output current	0 to 220 A	0 to 100 A	0 to 60 A	0 to 35 A	0 to 18 A	
Programming accuracy (at 25 °C ± 5 °C)						
Voltage	0.04% +	8 mV	20 mV	35 mV	60 mV	120 mV
Current	0.1% +	125 mA	60 mA	40 mA	25 mA	12 mA
Ripple and noise from 20 Hz to 20 MHz						
Voltage	rms	650 µV	750 µV	800 µV	1.25 mV	1.9 mV
	peak-to-peak	7 mV	9 mV	9 mV	11 mV	16 mV
Current	rms	200 mA	100 mA	40 mA	25 mA	12 mA
Readback accuracy at 25 °C ± 5 °C (percent of reading plus fixed)						
Voltage	0.05% +	12 mV	30 mV	50 mV	90 mV	180 mV
± Current	0.1% +	150 mA	100 mA	60 mA	35 mA	18 mA
Load and line regulation						
Voltage	0.002% +	300 µV	650 µV	1.2 mV	2 mV	4 mV
Current	0.005% +	10 mA	7 mA	4 mA	2 mA	1 mA
Transient response time	Less than 900 µs for the output voltage to recover to within 100 mV following a change in load from 100% to 50% or 50% to 100% of the output current rating of the supply					

Supplemental characteristics (Non-warranted characteristics determined by design and useful in applying the product)	6671A	6672A	6673A	6674A	6675A
Average programming resolution					
Voltage	2 mV	5 mV	10 mV	15 mV	30 mV
Current	55 mA	25 mA	15 mA	8.75 mA	4.5 mA
OVP	15 mV	35 mV	65 mV	100 mV	215 mV
Output voltage programming response time* (excluding command processing time)	30 ms	60 ms	130 ms	130 ms	195 ms

* Full load programming rise/fall time (10% to 90% or 90% to 10%) with full resistive load equal to rated output voltage/rated output current.

Specifications, continued

Specifications (at 0 ° to 55 °C unless otherwise specified)	6671A-J03 Special order option	6671A-J04 Special order option	6671A-J08 Special order option	6671A-J17 Special order option	6672A-J04 Special order option	6673A-J03 Special order option	
Number of outputs	1	1	1	1	1	1	
GPIB	Yes	Yes	Yes	Yes	Yes	Yes	
Output ratings							
Output voltage	14 V	10 V	3 V	15 V	24 V	37.5 V	
Output current	150 A	200 A	300 A	120 A	85 A	45 A	
Programming accuracy (at 25 °C ± 5 °C)							
Voltage	0.04% +	14 mV	10 mV	4 mV	15 mV	25 mV	37.5 V
Current	0.1% +	90 mA	125 mA	250 mA	90 mA	60 mA	40 A
Ripple and noise from 20 Hz to 20 MHz							
Voltage	rms	1.5 mV	750 μV	1 mV	1.5 mV	1 mV	800 μV
	peak-to-peak	15 mV	9 mV	25 mV	15 mV	11 mV	9 mV
Current	rms	150 mA	200 mA	275 mA	150 mA	100 mA	40 mA
Readback accuracy at 25 °C ± 5 °C (percent of reading plus fixed)							
Voltage	0.05% +	25 mV	15 mV	6 mV	27 mV	40 mV	53.5 mV
± Current	0.1% +	110 mA	150 mA	250 mA	110 mA	100 mA	60 mA
Load and line regulation							
Voltage	0.002% +	600 μV	300 μV	300 μV	650 μV	650 μV	1.2 mV
Current	0.005% +	7 mA	10 mA	15 mA	7 mA	7 mA	4 mA
Transient response time	Less than 900 μs for the output voltage to recover to within 100 mV following a change in load from 100% to 50% or 50% to 100% of the output current rating of the supply						

Supplemental characteristics (Non-warranted characteristics determined by design and useful in applying the product)	6671A-J03 Special order option	6671A-J04 Special order option	6671A-J08 Special order option	6671A-J17 Special order option	6672A-J04 Special order option	6673A-J03 Special order option
Average programming resolution						
Voltage	4 mV	2.5 mV	1 mV	4 mV	6 mV	10 mV
Current	40 mA	55 mA	75 mA	35 mA	22 mA	15 mA
OVP	28 mV	20 mV	8 mV	30 mV	42 mV	65 mV
Output voltage programming response time* (excluding command processing time)	30 ms	35 ms	30 ms	35 ms	70 ms	130 ms

* Full load programming rise/fall time (10% to 90% or 90% to 10%) with full resistive load equal to rated output voltage/rated output current.

Specifications, continued

Specifications (at 0 ° to 55 °C unless otherwise specified)	6673A-J08 Special order option	6674A-J03 Special order option	6674A-J07 Special order option	6675A-J04 Special order option	6675A-J06 Special order option
Number of outputs	1	1	1	1	1
GPIB	Yes	Yes	Yes	Yes	Yes
Output ratings					
Output voltage	40 V	56 V	50 V	160 V	135 V
Output current	50 A	38 A	42 A	13 A	16 A
Programming accuracy (at 25 °C ± 5 °C)					
Voltage	0.04% +	40 mV	60 mV	60 mV	160 mV
Current	0.1% +	35 mA	28 mA	30 mA	10 mA
Ripple and noise from 20 Hz to 20 MHz					
Voltage	rms	1 mV	1.25 mV	1.25 mV	2.8 mV
	peak-to-peak	10.5 mV	11 mV	11 mV	20 mV
Current	rms	40 mA	280 mA	25 mA	18 mA
Readback accuracy at 25 °C ± 5 °C (percent of reading plus fixed)					
Voltage	0.05% +	60 mV	90 mV	90 mV	240 mV
± Current	0.1% +	60 mA	38 mA	42 mA	14 mA
Load and line regulation					
Voltage	0.002% +	1.4 mV	2 mV	2 mV	6 mV
Current	0.005% +	4 mA	2 mA	2 mA	1 mA
Transient response time	Less than 900 μs for the output voltage to recover to within 100 mV following a change in load from 100% to 50% or 50% to 100% of the output current rating of the supply				

Supplemental characteristics (Non-warranted characteristics determined by design and useful in applying the product)	6673A-J08 Special order option	6674A-J03 Special order option	6674A-J07 Special order option	6675A-J04 Special order option	6675A-J06 Special order option
Average programming resolution					
Voltage	10.5 mV	14 mV	12 mV	40 mV	34 mV
Current	12.5 mA	9.5 mA	11 mA	3.25 mA	4 mA
OVP	75 mV	100 mV	85 mV	300 mV	242 mV
Output voltage programming response time* (excluding command processing time)	130 ms	130 ms	130 ms	280 ms	250 ms

* Full load programming rise/fall time (10% to 90% or 90% to 10%) with full resistive load equal to rated output voltage/rated output current.

Specifications, continued

Specifications (at 0 ° to 55 °C unless otherwise specified)	6675A-J07 Special order option	6675A-J08 Special order option	6675A-J09 Special order option	6675A-J11 Special order option
Number of outputs	1	1	1	1
GPIB	Yes	Yes	Yes	Yes
Output ratings				
Output voltage	200 V	100 V	110 V	150 V
Output current	11 A	22 A	20 A	15 A
Programming accuracy (at 25 °C ± 5 °C)				
Voltage	0.04% + 200 mV	120 mV	120 mV	150 mV
Current	0.1% + 8 mA	15 mA	13,5 mA	11 mA
Ripple and noise from 20 Hz to 20 MHz				
Voltage	rms 3.5 mV	1.9 mV	1.9 mV	2.5 mV
	peak-to-peak 25 mV	16 mV	16 mV	18 mV
Current	rms 15 mA	15 mA	13.5 mA	12 mA
Readback accuracy at 25 °C ± 5 °C (percent of reading plus fixed)				
Voltage	0.05% + 300 mV	180 mV	180 mV	225 mV
± Current	0.1% + 12 mA	22 mA	20 mA	15 mA
Load and line regulation				
Voltage	0.002% + 7 mV	4 mV	4 mV	6 mV
Current	0.005% + 1 mA	4 mA	4 mA	1 mA
Transient response time	Less than 900 µs for the output voltage to recover to within 100 mV following a change in load from 100% to 50% or 50% to 100% of the output current rating of the supply			

Supplemental characteristics (Non-warranted characteristics determined by design and useful in applying the product)	6675A-J07 Special order option	6675A-J08 Special order option	6675A-J09 Special order option	6675A-J11 Special order option
Average programming resolution				
Voltage	50 mV	30 mV	30 mV	37.5 mV
Current	2.75 mA	4.5 mA	4.5 mA	3.75 mA
OVP	360 mV	215 mV	215 mV	270 mV
Output voltage programming response time* (excluding command processing time)	350 ms	195 ms	195 ms	250 ms

* Full load programming rise/fall time (10% to 90% or 90% to 10%) with full resistive load equal to rated output voltage/rated output current.

Supplemental Characteristics for All Model Numbers

DC floating voltage: Output terminals can be floated up to ± 240 VDC from chassis ground

Output common-mode noise current: (to signal ground binding post) 500 μ A rms, 4 mA peak-to-peak

Remote sensing: Up to half the rated output voltage can be dropped in each load lead. The drop in the load leads subtracts from the voltage available for the load.

Command processing time: Average time required for the output voltage to begin to change following receipt of digital data is 20 ms for the power supplies connected directly to the GPIB

Modulation: (Analog programming of output voltage and current)
 Input signal: 0 to -4 V for voltage, 0 to 7 V for current
 Input impedance: 60 k Ω or greater

Input power: 3,800 VA, 2,600 W at full load; 170 W at no load

GPIB interface capabilities: SH1, AH1, T6, L4, SR1, RL1, PP0, DC1, DT1, E1, and C0. IEEE-488.2 and SCPI-compatible command set

Software driver:
 - IVI-COM
 - VXIplug&play

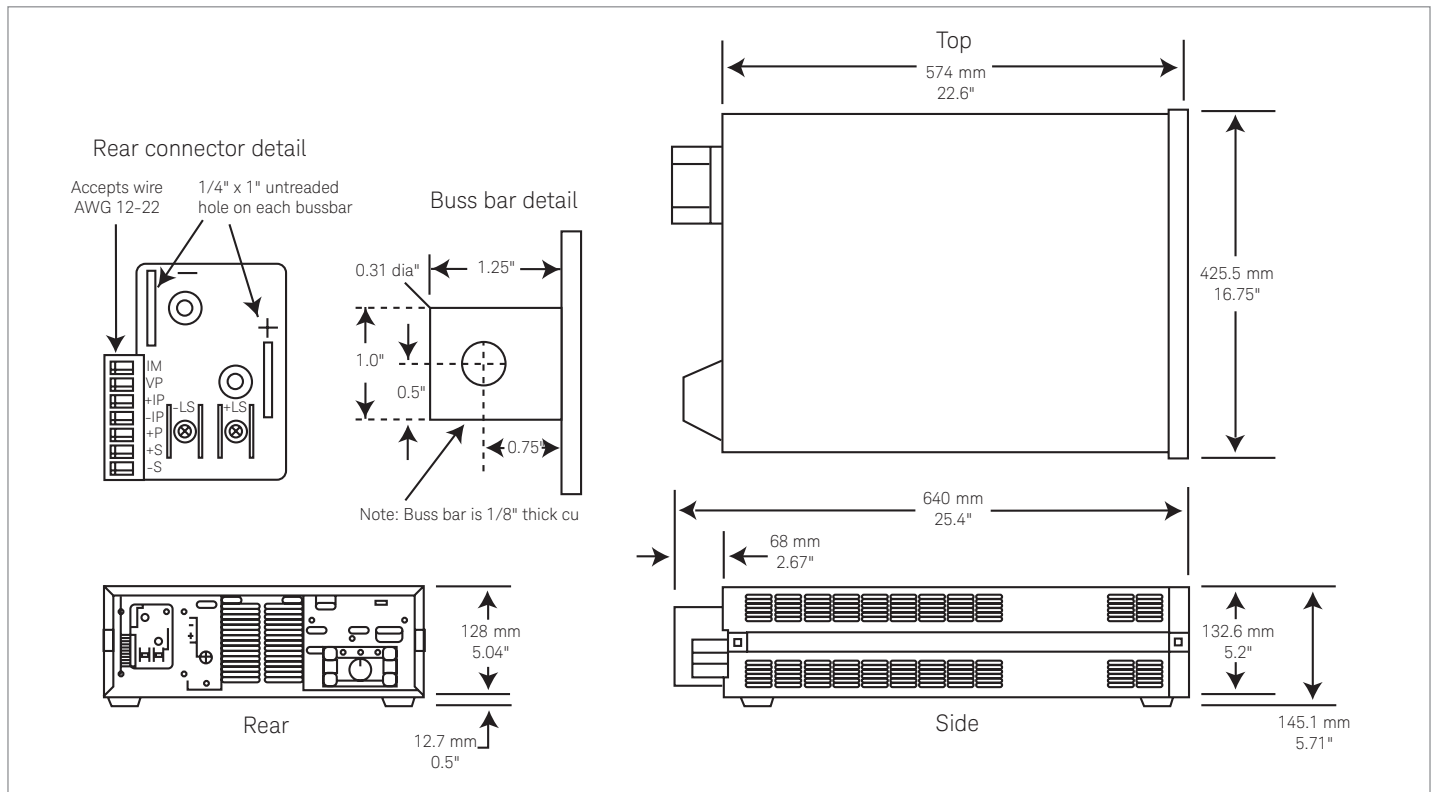
Regulatory compliance: Listed to UL1244; certified to CSA556B; conforms to IEC 61010-1

Size: 425.5 mm W x 132.6 mm H x 640 mm D
 (16.75 in x 5.22 in x 25.2 in)

Weight: Net, 28.2 kg (62 lb); shipping, 31.8 kg (70 lb)

Warranty: One year

Keysight Technologies, Inc. Models: 6671A, 6672A, 6673A, 6674A, 6675A



Ordering Information

The 6670 Series power supplies come with full documentation on CD-ROM. The CD-ROM includes user's guide, programming guide, service manual, quick start guide, and application notes.

Voltage options

Opt 200	174 to 220 VAC, 47 to 63 Hz (Japan only)
Opt 230	191 to 250 VAC, 47 to 63 Hz

Documentation options

Opt 0L1	Printed user's and programming guides
Opt 0B3	Printed service manual
Opt S50	Non-latching remote inhibit

Power cord options

Opt 831	Power cord, NO PLUG, 12AWG, 3-wire, 8.2 ft
Opt 832	Power cord, Europe, NO PLUG, 4 mm, 3-wire, 2.5 m length
Opt 834	Power cord, Japan, 250V, NO PLUG
Opt 842	Power cord, Europe, IEC309, 32A, 220V/240V PLUG, 4 mm, 3 wire, 2.5 m length
Opt 844	Power cord, Americas, Japan, NEMA L6-30P, 30A, 250V, PLUG, 10AWG, 8 ft

Accessories

1CM003A*	Rack mount flange kit 132.6 mm H (3U) – two flange brackets
1CP002A*	Rack mount flange and handle kit 132.6 mm H (3U) – two brackets and front handles
E3663AC	Support rails for Keysight rack cabinets
p/n 1494-0059	Accessory slide kit
p/n 1252-3698	7-pin analog plug
p/n 1252-1488	4-pin digital plug
p/n 5080-2148	Serial link cable 2 m (6.6 ft)

Application Notes

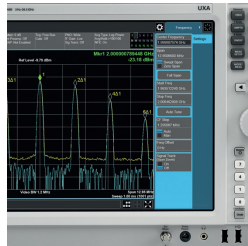
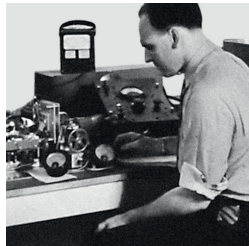
6671A/72A/81A/82A/90A System DC Power Supplies Product Overview, 5988-3050EN

Keysight DC Power Supplies for Base Station Testing, 5988-2386EN

10 Practical Tips You Need to Know About Your Power Products, 5965-8239E

* Support rails required

From Hewlett-Packard through Agilent to Keysight
 For more than 75 years, we've been helping you unlock measurement insights.
 Our unique combination of hardware, software and people can help you reach
 your next breakthrough. **Unlocking measurement insights since 1939.**



For more information on Keysight Technologies' products, applications or services, please contact your local Keysight office. The complete list is available at: www.keysight.com/find/contactus

Americas

Canada (877) 894 4414
 Brazil 55 11 3351 7010
 Mexico 001 800 254 2440
 United States (800) 829 4444

Asia Pacific

Australia 1 800 629 485
 China 800 810 0189
 Hong Kong 800 938 693
 India 1 800 11 2626
 Japan 0120 (421) 345
 Korea 080 769 0800
 Malaysia 1 800 888 848
 Singapore 1 800 375 8100
 Taiwan 0800 047 866
 Other AP Countries (65) 6375 8100

Europe & Middle East

Austria 0800 001122
 Belgium 0800 58580
 Finland 0800 523252
 France 0805 980333
 Germany 0800 6270999
 Ireland 1800 832700
 Israel 1 809 343051
 Italy 800 599100
 Luxembourg +32 800 58580
 Netherlands 0800 0233200
 Russia 8800 5009286
 Spain 800 000154
 Sweden 0200 882255
 Switzerland 0800 805353
 Opt. 1 (DE)
 Opt. 2 (FR)
 Opt. 3 (IT)
 United Kingdom 0800 0260637

For other unlisted countries:
www.keysight.com/find/contactus
 (BP-09-28-15)



www.keysight.com/go/quality
 Keysight Technologies, Inc.
 DEKRA Certified ISO 9001:2008
 Quality Management System

This information is subject to change without notice.
 © Keysight Technologies, 2012-2015
 Published in USA, November 16, 2015
 5990-9306EN
www.keysight.com

myKeysight

www.keysight.com/find/mykeysight
 A personalized view into the information most relevant to you.

Three-Year Warranty

www.keysight.com/find/ThreeYearWarranty
 Keysight's committed to superior product quality and lower total cost of ownership. Keysight is the only test and measurement company with three-year warranty standard on all instruments, worldwide. And, we provide a full one-year warranty on all accessories, calibration devices, systems and custom products.



Keysight Assurance Plans

www.keysight.com/find/AssurancePlans
 Up to ten years of protection and no budgetary surprises to ensure your instruments are operating to specification, so you can rely on accurate measurements.



Keysight Infoline

www.keysight.com/find/service
 Keysight's insight to best in class information management. Free access to your Keysight equipment company reports and e-library.

Keysight Infoline

Keysight Channel Partners

www.keysight.com/find/channelpartners
 Get the best of both worlds: Keysight's measurement expertise and product breadth, combined with channel partner convenience.

www.keysight.com/find/6670