



– RELIABLE
WOOD
CHIPPING

TP 175 MOBIL

Stage V

TP 175 TRACK

TECH SHEET

BIGGER, STRONGER, LIGHTER



DESIGNED



MANUFACTURED



DENMARK



TP 175 MOBILE/TRACK

BIGGER, STRONGER, LIGHTER



HIGHLIGHTS 175 MOBILE

- Sub 750 kg mobile - diesel/ gasoline
- TP Vario Spout height-adjustable spout
- TP Starter patented for easy and gentle start - prolongs engine lifetime
- 1 tool - 2 blades - 3 minutes - easy and efficient change of knives
- TP Opticut - 2 displaced blades - less vibrations - optimised fuel consumption
- TP Twin Disc - double the discs - double the strength
- TP Pilot - no stress control
- TP Service Box - avoid down-time (option)
- TP 3 year warranty



TP VARIO SPOUT / FIXED SPOUT-FOR FLEXIBLE HIGH VOLUME OUT-PUT

- TP VARIO SPOUT manually height-adjustable ejector spout (5 positions for chipping)
- To be completely lowered during transport and storing h:175 cm (transport/ storing position)
- TP FIXED SPOUT the cost-efficient spout (1 position for chipping and storing)
- Suitable for chipping into a truck or trailer h:199 cm



SERVICE FRIENDLY LIKE NO OTHER

- The keep it simple machine construction not only has aesthetic benefits.
- Large clean surfaces that effectively protect the machine components,
- Provide a quick and easy access to daily maintenance, including the lubrication points.
- No need for special tools



TP SERVICE BOX - TO KEEP YOU RUNNING SMOOTHLY

- Contains all of the critical wearing parts that are appropriate for each TP Wood Chipper. For example, knives, counterknives, scrapers, hydraulic filter and nuts and bolts
- With the box close at hand, you are always guaranteed optimum operation - even when you are out in the grounds, far from stores and workshops

HORIZONTAL FEED ROLLERS/ ROLLER SPEED HYDRAULIC ADJUSTED

- Powerful infeed
- Two horizontal feed rollers (1 aggressive top roller with teeth and 1 bottom roller)
- Roller opening - 175 x 191 mm
- Hydraulic adjustment of rollers/chip size 4-12 mm

AVOID DOWN-TIME WITH TP SERVICE BOX

- TP SERVICE BOX with critical wear parts is available as an option
- Includes an extra set of knives, counter steel, wipers, hydraulic filters, bolts and nuts.



175 mm



25 hp-diesel/37 hp-petrol



4 - 12 mm



701-740 kg
(TRACK 1090 kg)

TP 175 MOBILE/TRACK

BIGGER, STRONGER, LIGHTER



WE STAND BY OUR PRODUCTS

- 3-year (or 1000 hours) TP WARRANTY
- Includes engine and rotor
- Wear parts not included



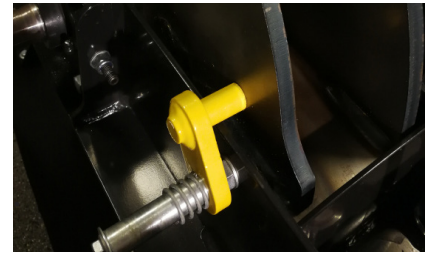
TP STARTER®

- A patent clutch system
- Machine start-up by a simple turn of the key and a touch of the button
- Consists of automatic coupling and uncoupling of the belt and control of the engine rpm
- Ensures prolonged engine life-time



TP PILOT™ (No stress control)

- TP PILOT that automatically starts and stops the feed rollers based on the disc's rpm
- Ensures efficient work and extended lifetime
- Contains a time registration function



ROTOR LOCK - CHANGING BLADES

- Rotor lock for safe and fast change of the blades
- Enables the user to open the machine in very few steps
- Using only one standard tool to change the 2 blades

SUB 750KG - COMPACT AND POWERFUL

- The 175 Mobile can be transported by anyone with a standard driving license - still performing:
- High capacity
- Easy maintenance
- High-quality wood chips
- Compact machine with wide foldable funnel ensuring visibility and optimized working conditions.



TP 175 MOBILE/TRACK

BIGGER, STRONGER, LIGHTER



INCREASED SECURITY AND COMFORT WITH REMOTE CONTROL



GROUND CLEARANCE 200MM

HIGHLIGHTS 175 TRACK

- Track - 1090 kg
- Remote Control
- TP Vario Spout height-adjustable spout
- TP Starter patented for easy and gentle start - prolongs engine lifetime
- 1 tool - 2 blades - 3 minutes - easy and efficient change of knives
- TP Opticut - 2 displaced blades - less vibrations - optimised fuel consumption
- TP Twin Disc - double the discs - double the strength
- TP Pilot - no stress control
- TP Service Box - avoid down-time (option)
- TP 3 year warranty



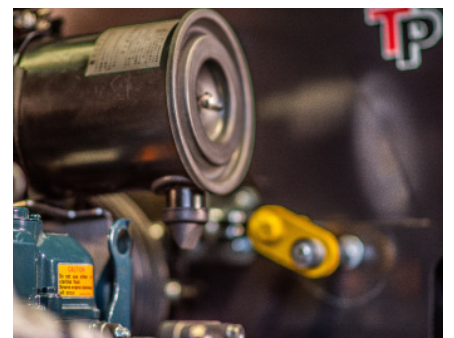
SAFETY IN MIND AT ALL TIMES

- TP E-STOP and additional optional safety kit consisting of either 2 or 4 E-STOP switches (located on the top and on the side of the funnel)
- By activation feed rollers stop rotating
- Ideal for rental/for unskilled employees



TP OPTICUT (2 displaced blades)

- two blades are displaced on the rotor disc (one close to the disc center/on close to the disc edge)
- Blades always engaging the tree
- Resulting in less vibration and steadier strain on the machine
- Optimized and lower fuel consumption
- A very uniform chip quality - suitable for mulching and heating purposes

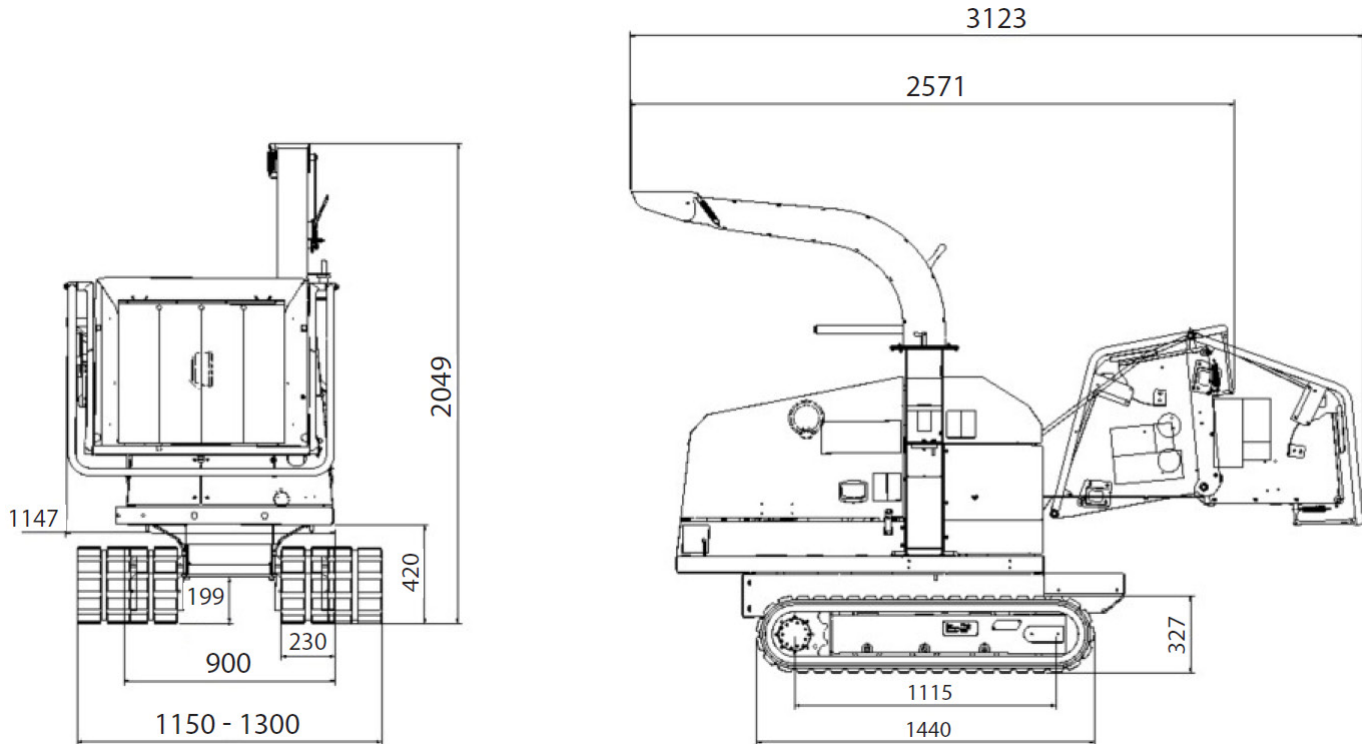


HIGH TORQUE KUBOTA ENGINE

- 3-cylinder water-cooled DIESEL engine
- Low consumption
- Cheap to maintain
- Emission stage V
- 20l plastic tank

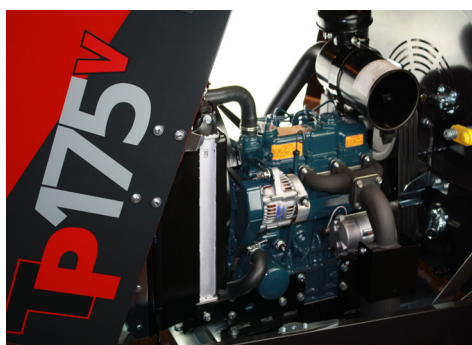
TP 175 MOBILE/TRACK

BIGGER, STRONGER, LIGHTER



POWERFUL VANGAARD EFI 37 HP ENGINE (MOBILE ONLY)

- 2-cylinder air-cooled petrol engine with electronic ignition system
- Low consumption
- Cheap to maintain
- Integrated oil-cooler
- 15% less fuel consumption
- Quick recovery times



INTEGRATED HYDRAULICS

- Integrated hydraulic system with own pump, tank and filter
- Ensures correct pressure and oil level and minimizes the power consumption



HOMOLOGATION/APPROVALS/STANDARDS

- The hot-dip galvanized trailer and chassis from ALKO
- Trailer includes overrun brake
- The chipper is supplied with a Certificate of Conformity to show that they are fully homologated and compliant with the European Directive 2007/46/EC
- The wood chipper comply with all existing safety standarDs (EN 13525)

TECHNICAL DATA

BIGGER, STRONGER, LIGHTER

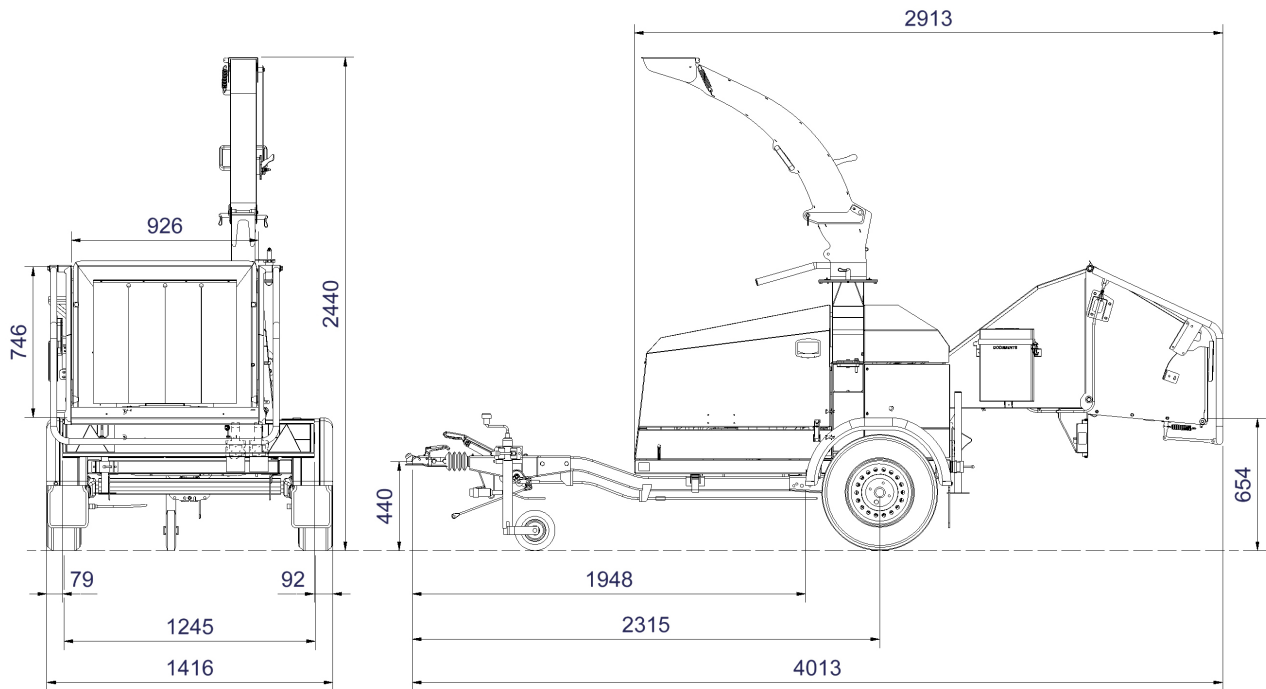
TECHNICAL SPECIFICATIONS	TP 175 MOBILE	TP 175 MOBILE P	TP 175 TRACK
Max. wood diameter	175 mm	175 mm	175 mm
Infeed opening HxW	175 x 191 mm	175 x 191 mm	175 x 191 mm
Chipping principle	Disc chipper with TP TWIN DISC™ and TP OPTICUT™	Disc chipper with TP TWIN DISC™ and TP OPTICUT™	Disc chipper with TP TWIN DISC™ and TP OPTICUT™
In feed angle	Parallel to driving direction	Parallel to driving direction	Parallel to driving direction
Feed rollers	2 horizontal	2 horizontal	2 horizontal
Disc diameter	599 mm	599 mm	599 mm
Disc weight	69 kg	69 kg	69 kg
Disc rpm	1680 rpm	1725 rpm	1680 rpm
Number of blades	2	2	2
Counter steel	1 horizontal and 1 vertical	1 horizontal and 1 vertical	1 horizontal and 1 vertical
Chip size	4 - 12 mm	4 - 12 mm	4 - 12 mm
Engine	Kubota D1305-E4B Stage V	B&S EFI Vanguard	Kubota D1305-E4B Stage V
Engine power	25 hp / 18,5 kW	37 hp / 27 kW	25 hp / 18,5 kW
Fuel Capacity	20 litre plastic fuel tank	20 litre plastic fuel tank	20 litre plastic fuel tank
Capacity	Up to 10 m ³ /h	Up to 10 m ³ /h	Up to 10 m ³ /h
Weight	740 kg	701 kg	1090 kg
Height (operation)	Fixed ejector spout: 1995 mm TP VARIO SPOUT: 1750 mm (1965-2440)	Fixed ejector spout: 1995 mm TP VARIO SPOUT: 1750 mm (1965-2440)	Fixed ejector spout: 1995 mm TP VARIO SPOUT: 1750 mm (1965-2440)
Height (storage)	1750 mm	1750 mm	1750 mm
Length (operation)	3515 mm (4013 mm)	3515 mm (4013 mm)	2665 mm (3166 mm)
Width	1416 mm	1416 mm	1410 mm
Consumption 1h / 100h	7,5 l / 750 l	11 l / 1.100 l	7,5 l / 750 l
Price 1h / 100h / 500h	8,05 € / 805 € / 4.025 €	12,35 € / 1.235 € / 6.175 €	8,05 € / 805 € / 4.025 €



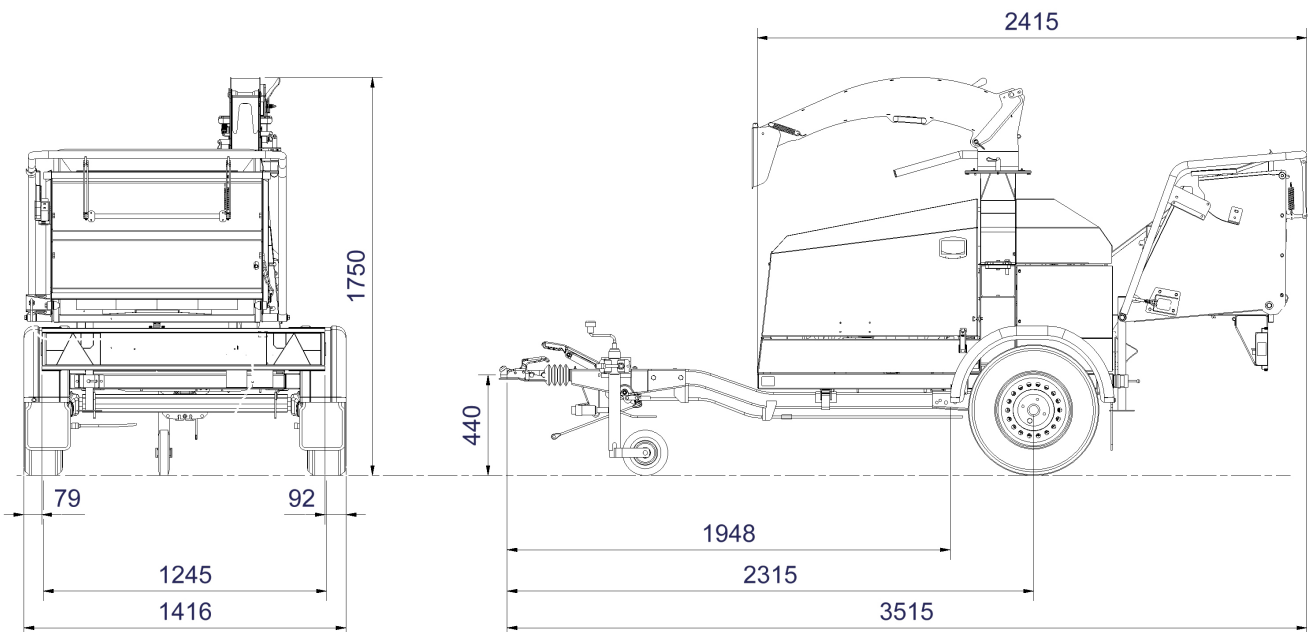
TP 175 MOBILE/TRACK

BIGGER, STRONGER, LIGHTER

TP 175 MOBILE/TRACK WORKING POSITION



TP 175 MOBILE TRANSPORT POSITION





– RELIABLE
WOOD
CHIPPING

LINDDANA A/S

Linddana A/S
Ølholm Bygade 70
7160 Tørring, Denmark

T +45 75 80 52 00
tp@linddana.com
www.linddana.com

Telephone and opening hours (CET)

Monday - Thursday 8.00-16.00

Friday 8.00-15.30

Spare Parts

Monday - Thursday 7.30-15.00

Fredag 7.30-14.00

WOOD CHIPPERS SINCE 1980

Linddana has designed, manufactured and marketed TP Wood Chippers since 1980. Today, this Danish company is one of the world leaders in its field. Linddana supplies a strong selection of functional and reliable wood chippers for landscaping and biomass production.

TECHNOLOGY AND PEOPLE

Linddana's strong international position is founded on extensive technical expertise and a commitment to high quality, both in the selection of materials and in manufacturing processes. By combining skilled workmanship and using the latest manufacturing technology, we maintain the highest quality standards.



Dealer

RELIABLE
WOOD
CHIPPING