

Features

Shower Rose

- Anti-ligature (minimises hiding of contraband, suicide and self-harm risk)
- Designed for maximum protection against vandalism
- Constructed from heavy duty components and comes complete with special tamper resistant screws
- For use with high pressure plumbing systems between 150 & 500kPa
- Special consideration may be required when used with low water pressure systems and components
- Manufactured using Lead Free DZR Brass with less than 0.25% lead content

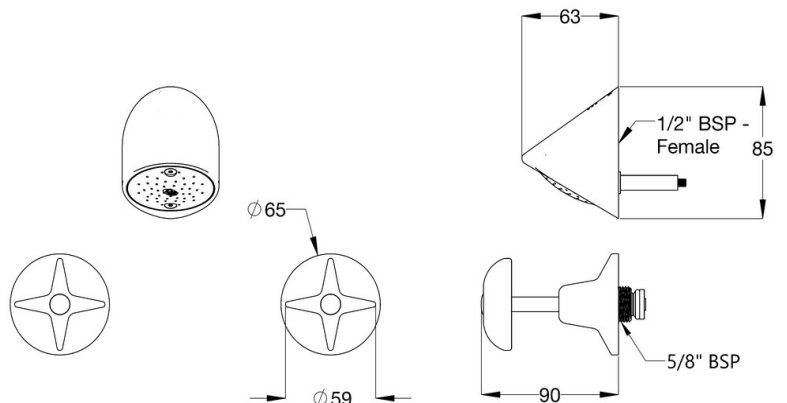
Wall Tap Assembly, Hot & Cold

- Vandal resistant handle with locking ring to secure handle to the spindle which may only be removed using the key provided
- Standard with jumper valve
- Half turn ceramic disc available on request
- Chrome finish for easy cleaning and hygiene maintenance



Technical Information - Shower Rose

- **WaterMark** AS/NZS 3662 Lic. WMK26191
- **WELS** 4 Star Rating (7.0L/min)
- **Nominal Flow Rate (LPM)** 6.6
- **Inlet** 1/2" BSP - Female
- **Outlet** Shower Rose
- **Working Pressure Range (kPa)** 150 Min - 500 Max
- **Working Temperature Range (°C)** 5 Min - 65 Max
- **Construction** Lead Free DZR Brass
- **Finish** Chrome



Technical Information - J/V Wall Tap Assembly

- **WaterMark** AS 3718 Lic. WMKA0034
- **Nominal Flow Rate (LPM)** 6.6
- **Inlet** 5/8" BSP - Male
- **Working Pressure Range (kPa)** 50 Min - 500 Max
- **Working Temperature Range (°C)** 5 Min - 60 Max
- **Construction** DZR Lead Safe™ Brass
- **Finish** Chrome

