

SHARP®



**FINANCIAL CALCULATOR
OPERATION MANUAL**

Contents

	Page
Introduction	3
Getting Started	5
General Information	11
Financial Functions	17
Scientific Functions	60
Statistical Functions	64
Appendix	72
Index	83

NOTICE

- **SHARP makes no guarantee that this product or this manual is suitable or accurate for any purpose, commercial or otherwise.**
- **Rules and practices in financial calculation vary according to country, locality, or financial institution. It is the consumer's responsibility to determine whether or not the results produced by this product conform to applicable rules and regulations.**
- SHARP will not be liable nor responsible for any incidental or consequential economic or property damage caused by misuse and/or malfunctions of this product and its peripherals, unless such liability is acknowledged by law.
- The material in this manual is supplied without representation or warranty of any kind. SHARP assumes no responsibility and shall have no liability of any kind, consequential or otherwise, from the use of this material.
- SHARP assumes no responsibility, directly or indirectly, for financial losses or claims from third persons resulting from the use of this product and any of its functions, the loss of or alteration of stored data, etc.
- SHARP strongly recommends that separate permanent written records be kept of all important data. Data may be lost or altered in virtually any electronic memory product under certain circumstances. Therefore, SHARP assumes no responsibility for data lost or otherwise rendered unusable whether as a result of improper use, repairs, defects, battery replacement, use after the specified battery life has expired, or any other cause.
- If service should be required on this calculator, have the calculator serviced in the region (country) where you purchased it.

Contents

Introduction	3
Operational Notes	3
Key Notations in This Manual.....	4
Chapter 1: Getting Started	5
Preparing to Use the Calculator.....	5
Resetting the Calculator In Case of Difficulty.....	5
Calculator and Display Layout.....	6
The SET UP Menu	8
Operating Modes.....	10
Chapter 2: General Information	11
Basic Calculations.....	11
Clearing the Entry and Memories	11
Editing and Correcting an Entry	13
Memory Calculations	14
Chapter 3: Financial Functions	17
General Information	17
TVM (Time Value of Money) Solver	22
Amortization Calculations	33
Discounted Cash Flow Analysis.....	37
Bond Calculations	44
Depreciation Calculations	48
Conversion between APR and EFF	51
Day and Date Calculations.....	52
Percent Change/Compound Interest Calculations	54
Cost/Sell/Margin/Markup Calculations	56
Breakeven Calculations.....	58
Chapter 4: Scientific Functions	60
Constant Calculations	60
Chain Calculations	60
Scientific Calculations	61
Random Functions.....	62
Modify Function.....	63
Chapter 5: Statistical Functions	64
Statistical Calculations and Variables.....	67
Appendix	72
Financial Calculation Formulas.....	72
Statistical Calculation Formulas	75
Errors and Calculation Ranges	76
Battery Replacement	80
Priority Levels in Calculations	81
Specifications	82
Index	83

Introduction

Thank you for purchasing a SHARP Financial Calculator. After reading this manual, store it in a convenient location for future reference.

- Display of examples shown in this manual may not look exactly the same as what is seen on the product. For instance, screen examples will show only the symbols necessary for explanation of each particular calculation.
- All company and/or product names are trademarks and/or registered trademarks of their respective holders.
- Some of the models described in this manual may not be available in some countries.

Operational Notes

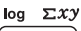

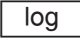

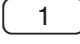

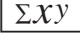
- Do not carry the calculator around in your back pocket, as it may break when you sit down. The display is made of glass and is particularly fragile.
- Keep the calculator away from extreme heat such as on a car dashboard or near a heater, and avoid exposing it to excessively humid or dusty environments.
- Since this product is not waterproof, do not use it or store it where fluids, for example water, can splash onto it. Raindrops, water spray, juice, coffee, steam, perspiration, etc. will also cause malfunction.
- Clean with a soft, dry cloth. Do not use solvents or a wet cloth. Avoid using a rough cloth or anything else that may cause scratches.
- Do not drop the calculator or apply excessive force.
- Never dispose of batteries in a fire.
- Keep batteries out of the reach of children.
- This product, including accessories, may change due to upgrading without prior notice.

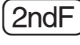





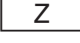

Hard Case

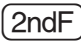
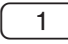
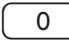
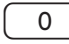



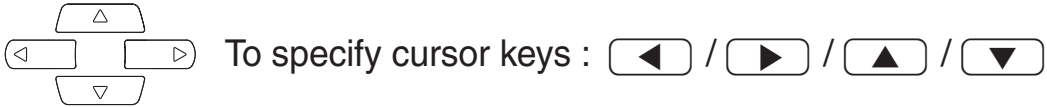
Key Notations in This Manual

Key operations are described in this manual as follows:

-  To specify log :   ①
-  To specify 1 :  or 1 ②
- To specify Σxy :   ③

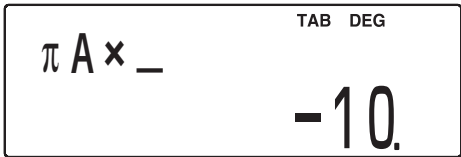
- To specify CLR-D:   ①
-  To specify ENT :  ②
-  To specify Z :   ③
- To specify DATA :  ④

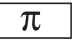


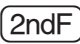
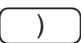


- ① Functions that are printed in orange above the key require  to be pressed first before the key.
- ② Number entry examples are shown with ordinary numbers (i.e., “100” will be indicated instead of “  ”).
- ③ To specify a memory function (printed in green), press  first.
- ④ Functions that are printed in black adjacent to the keys are effective in specific modes.



Example Using the  and  keys

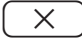
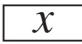
Press    
   10.



-   and   mean you have to press  followed by  key and  followed by  key.

Notes:

- The multiplication instruction “×” and alphabetic letter “X” are distinguished as follows:

	Key	Display
Multiplication instruction	→ 	×
Alphabetic letter	→ 	X

- Examples in this manual are performed using default settings (e.g., SET UP menu items) unless values are otherwise assigned.

Chapter 1

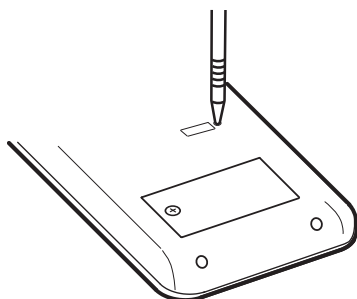
Getting Started

Preparing to Use the Calculator

Before using your calculator for the first time, you must reset (initialize) it.

Resetting the calculator

Press the RESET switch located on the back of the calculator with the tip of a ball-point pen or similar object. Do not use an object with a breakable or sharp tip.



- After resetting the calculator, the initial display of the NORMAL mode appears.



Resetting the Calculator In Case of Difficulty

Caution:

The RESET operation will erase all data stored in memory and restore the calculator's default setting.

In rare cases, all the keys may cease to function if the calculator is subjected to strong electrical noise or heavy shock during use. If pressing any of the keys (including ON/C) has no effect, reset the calculator.

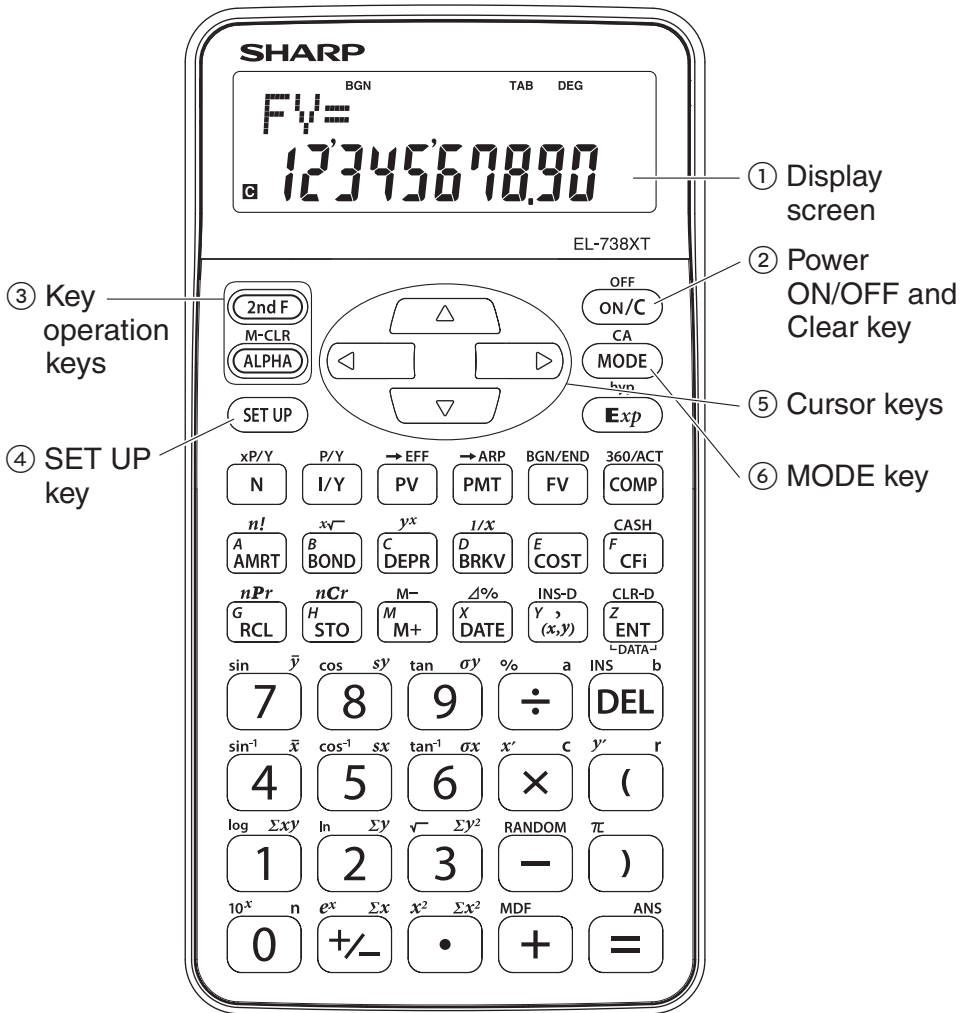
Resetting the calculator

See the above procedure.

Note: Pressing 2ndF M-CLR and 1 = will also erase all data stored in memory and restore the calculator's default setting.

Calculator and Display Layout

Calculator layout



- ① **Display screen:** The calculator display consists of a 12-character dot matrix character line and a 12-digit 7-segment character line (10-digit mantissa and 2-digit exponent).
- ② **Power ON/OFF and Clear key:** Turns the calculator ON. This key also clears the display. To turn off the calculator, press $\boxed{2ndF}$, then \boxed{OFF} .
- ③ **Key operation keys:**
 - $\boxed{2ndF}$: Activates the second function (printed in orange) assigned to the following key.
 - \boxed{ALPHA} : Activates the memory (printed in green) assigned to the following key.
- ④ **SET UP key:** Displays the SET UP menu to select the display notation, angular unit, depreciation method and date format.
- ⑤ **Cursor keys:** Move the cursor.
- ⑥ **MODE key:** Switches between NORMAL and STAT modes.

Display layout



- During actual use, not all symbols are displayed at the same time.
- Only the symbols required for the operation being explained are shown in the screen examples of this manual.

← / → : Appears when the entire equation cannot be displayed. Press / to see the remaining (hidden) part.

▲ / ▼ : Indicates that variables or data are present above/below the screen. Press / to scroll up/down.

2ndF : Appears when is pressed, indicating that the functions shown in orange are enabled.

HYP : Indicates that has been pressed and the hyperbolic functions are enabled.

ALPHA : Indicates that , or has been pressed, and storing or recalling memory values or TVM solvers/statistics variables can be performed.

BGN : Indicates that calculations are annuity due (payment at the beginning of each interval) calculations. When **BGN** is not displayed, calculations are ordinary annuity (payment at the end of each interval) calculations.

360 : Indicates that date calculations are based on a 360-day year (12 months with 30 days). When **360** is not displayed, date calculations use the actual calendar.

ENT : Indicates that a value can be assigned to the displayed variable using .

COMP : Indicates that the displayed variable can be solved for by using .

FLOAT A / FLOAT B / TAB / SCI: Indicates the notation used to display values. It can be changed in the SET UP menu.

DEG / RAD / GRAD : Indicates which angular units are in use.
It can be changed in the SET UP menu.

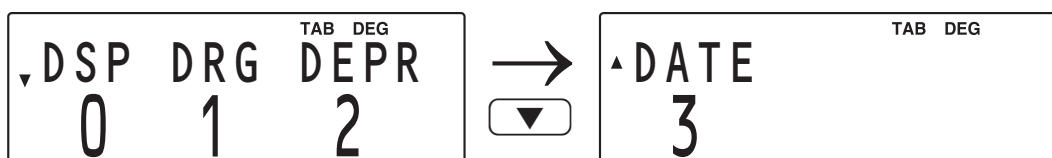
STAT : Appears when statistics mode is selected.

M : Indicates that a numerical value is stored in the independent memory (M).

C : Indicates that the value of the displayed variable has not been calculated yet (for variables that can be calculated).

The SET UP Menu

Press **SET UP** to display the SET UP menu.



- A menu item can be selected by:
 - Using **◀** / **▶** to select a number (the selected number will blink), then pressing **=**, or
 - pressing the number key corresponding to the menu item number.
- If **▲** or **▼** is displayed on the screen, press **▲** or **▼** to view the previous/next part of the menu.
- Press **ON/C** to exit the SET UP menu.

Selecting the display notation and number of decimal places

The calculator has three display notation systems (fixed decimal point, scientific notation and floating point) for displaying calculation results.

- If **SET UP** **0** **0** (**TAB**) is pressed, “DIG(0-9)?” will be displayed and the number of decimal places can be set to any value between 0 and 9.
- If **SET UP** **0** **1** (**SCI**) is pressed, “SIG(0-9)?” will be displayed and the number of significant digit can be set to any value between 0 and 9. Entering 0 will set a 10-digit display.
- If a floating point number does not fit in the specified range, the calculator will display the result in scientific notation (exponential notation). See the next section for details.
- The default setting is a fixed decimal point with two decimal places.

Selecting the floating point number system in scientific notation

The calculator has two settings for displaying a floating point number:

FLO_A (FLOAT A) and FLO_B (FLOAT B). In each display setting, a number is automatically displayed in scientific notation outside the following preset ranges:

- FLO_A (SET UP) (0) (2): $0.000000001 \leq |X| \leq 9,999,999,999$
- FLO_B (SET UP) (0) (3): $0.01 \leq |X| \leq 9,999,999,999$

Example Switching the notation setting

Procedure	Key operation	Display
100000 ÷ 3 = Fixed decimal point with two decimal places	(ON/C) 100000 (÷) 3 (=)	$100000 \div 3 =$ ^{TAB} 33333.33
→ Scientific notation (SCI) with two significant digits	(SET UP) (0) (1) 2	$100000 \div 3 =$ ^{SCI} 3.3 ⁰⁴ _{×10}
→ Floating point (FLO_A)	(SET UP) (0) (2)	$100000 \div 3 =$ ^{FLOAT A} 33333.333333
3 ÷ 1000 = Floating point (FLO_A)	(ON/C) 3 (÷) 1000 (=)	$3 \div 1000 =$ ^{FLOAT A} 0.003
→ Floating point (FLO_B)	(SET UP) (0) (3)	$3 \div 1000 =$ ^{FLOAT B} 3 ⁻⁰³ _{×10}
→ Fixed decimal point with two decimal places	(SET UP) (0) (0) 2	$3 \div 1000 =$ ^{TAB} 0.00

Selecting the angular unit (see page 61)

- DEG (°) : (SET UP) (1) (0) (default setting)
- RAD (rad): (SET UP) (1) (1)
- GRAD (g): (SET UP) (1) (2)

Selecting the depreciation method (see page 48)

- SL (Straight-line method): (SET UP) (2) (0) (default setting)
- SYD (Sum-of-the-years' digits method): (SET UP) (2) (1)
- DB (Declining balance method): (SET UP) (2) (2)

Selecting the date format (see page 44)

- US (Month-Day-Year): **SET UP** **3** **0** (default setting)
- EU (Day-Month-Year): **SET UP** **3** **1**

Operating Modes

This calculator has two operating modes, which can be selected using the **MODE** key.

Selecting a mode

1. Press **MODE**.

The menu display appears.



2. Press **0** or **=** to select NORMAL mode.



- Press **1** or **▶** **=** to select STAT mode.



Operations available in each mode

NORMAL mode:

Allows you to perform financial, arithmetic, or scientific calculations.

STAT (statistics) mode:

Allows you to perform statistical, arithmetic, or scientific calculations. The **STAT** symbol appears in the display.

Chapter 2

General Information

Basic Calculations

Entering numbers and arithmetic operations

- Use the number keys $\boxed{0}$ to $\boxed{9}$, decimal point key $\boxed{\cdot}$, and sign change key $\boxed{+/-}$ to enter numbers into the calculator. To clear the display or entry, press $\boxed{\text{ON/C}}$.
- Use the $\boxed{\text{Exp}}$ key to enter a value in scientific notation.
- Use the arithmetic keys $\boxed{+}$ $\boxed{-}$ $\boxed{\times}$ $\boxed{\div}$ to perform the standard arithmetic calculations of addition, subtraction, multiplication, and division. Press $\boxed{=}$ to perform each calculation.
- Use the $\boxed{(}$ and $\boxed{)}$ keys to place parentheses around inner parts of expressions. The closing parenthesis $\boxed{)}$ just before $\boxed{=}$ or $\boxed{\text{M+}}$ may be omitted.
- When you enter a series of operations in one sequence, the calculator performs the calculation according to the priority levels in calculation on page 81.

Example	Key operation	Result
$45 + 285 \div 3 =$	$\boxed{\text{ON/C}}$ 45 $\boxed{+}$ 285 $\boxed{\div}$ 3 $\boxed{=}$	140.00
$\frac{18 + 6}{15 - 8} =$	$\boxed{(}$ 18 $\boxed{+}$ 6 $\boxed{)}$ $\boxed{\div}$ $\boxed{(}$ 15 $\boxed{-}$ 8 $\boxed{=}$	3.43
$42 \times (-5) + 120 =$	42 $\boxed{\times}$ $\boxed{+/-}$ 5 $\boxed{+}$ 120 $\boxed{=}$ $\text{*1 (5 } \boxed{+/-} \text{)*1}$	-90.00
$(5 \times 10^3) \div (4 \times 10^{-3}) =$	5 $\boxed{\text{Exp}}$ 3 $\boxed{\div}$ 4 $\boxed{\text{Exp}}$ $\boxed{+/-}$ 3 $\boxed{=}$	1'250'000.00

Clearing the Entry and Memories

The following methods of clearing the calculator (restoring default settings) are available:

Operation	Entry (display)	A-H, M, X-Z	ANS	TVM variables*1	Listed financial variables *3	Cash flow data *4	STAT *7
<input type="button" value="ON/C"/>	○	×	×	×	×	×	×
<input type="button" value="2ndF"/> <input type="button" value="CA"/>	○	×	○	○ *2	○ *5	○ *6	○
<input type="button" value="MODE"/> (Mode selection)	○	×	○	×	×	×	×
<input type="button" value="2ndF"/> <input type="button" value="M-CLR"/> <input type="button" value="0"/> (MEM)	○	○	○	○	○	○	○
<input type="button" value="2ndF"/> <input type="button" value="M-CLR"/> <input type="button" value="1"/> (RESET)	○	○	○	○	○	○	○
RESET switch	○	○	○	○	○	○	○

○: Cleared or restored to the default setting ×: Retained

- *1 N, I/Y, PV, PMT, and FV (P/Y and C/Y are not included.)
- *2 Note that listed financial variables sharing common memory with TVM variables, such as “COUPON (PMT)” used in bond calculations, are also cleared or restored to default settings.
- *3 Listed variables used in financial calculations (such as “RATE (I/Y),” etc.) including P/Y and C/Y
- *4 When you press to enter a financial calculation, AMRT P1 and AMRT P2 both revert to their default values. The same holds true for YEAR when you press .
- *5 With one of the variables of a listed group (such as those used in bond calculations) displayed, when is pressed, all the variables in the listed group are cleared or restored to their default settings. Note that TVM variables sharing common memory with listed financial variables are also cleared or restored to default settings.
- *6 Press when a cash flow value is displayed.
- *7 Statistical data (entered data) and variables (n, \bar{x} , etc.)
- *8 Are cleared when changing between sub-modes in STAT mode.

Notes:

- To clear any of the “A-H, M, X-Z” or “ANS” memories, press and then specify the memory.
- To clear or restore to the default setting one variable or value of TVM variables, listed financial variables, cash flow data, or STAT, refer to the relevant section.
- If you turn off the calculator (by pressing or by letting it turn itself off automatically), it will resume wherever you left off when you turn it on again.

Delete key

To delete a number/function, move the cursor to the number/function you wish to delete, then press . If the cursor is located at the right end of an equation or if you are entering a value, the key will function as a back space key.

Memory clear key

Press $\boxed{2\text{ndF}} \boxed{\text{M-CLR}}$ to display the menu.



- To clear all (A-H, M, X-Z, ANS, TVM variables, listed financial variables, cash flow data, and STAT), press $\boxed{0} \boxed{0}$ or $\boxed{0} \boxed{=}$.
- To RESET the calculator, press $\boxed{1} \boxed{0}$ or $\boxed{1} \boxed{=}$. The RESET operation erases all data stored in memory, and restore the calculator's default settings.

Editing and Correcting an Entry

Cursor keys

- In a menu, such as the SET UP menu, use $\boxed{\blacktriangleleft}$ or $\boxed{\blacktriangleright}$ to select a number (the selected number will blink), then press $\boxed{=}$. If you need to scroll up or down the screen, use $\boxed{\blacktriangleup}$ or $\boxed{\blacktriangledown}$.
- In financial calculations, such as bond calculations, press $\boxed{\blacktriangledown}$ or $\boxed{\blacktriangleup}$ to move through the variables (items).

Playback function

After obtaining an answer, pressing $\boxed{\blacktriangleleft}$ brings you to the end of the equation and pressing $\boxed{\blacktriangleright}$ brings you to the beginning. Press $\boxed{\blacktriangleleft}$ or $\boxed{\blacktriangleright}$ to move the cursor. Press $\boxed{2\text{ndF}} \boxed{\blacktriangleleft}$ or $\boxed{2\text{ndF}} \boxed{\blacktriangleright}$ to jump the cursor to the beginning or end of the equation.

Insert and overwrite modes in the equation display

- This calculator has two editing modes: insert mode (default), and overwrite mode. Pressing $\boxed{2\text{ndF}} \boxed{\text{INS}}$ switches between the two modes. A triangular cursor indicates an entry will be inserted at the cursor, while the rectangular cursor indicates existing data will be overwritten as you make entries.
- To insert a number in the insert mode, move the cursor to the place immediately after where you wish to insert, then make the desired entry. In the overwrite mode, data under the cursor will be overwritten by the number you enter.
- This mode setting will be retained until you press $\boxed{2\text{ndF}} \boxed{\text{INS}}$ or RESET the calculator.

Example Changing “ $15 \div 3 =$ ” into “ $25 \div 13 =$ ”

Procedure	Key operation	Display
$15 \div 3 =$	ON/C 15 \div 3 $=$	$15 \div 3 =$ 5.00
Enter the playback function.	\blacktriangleright	$\blacktriangleleft 15 \div 3$
Switch to overwrite mode.	2ndF INS	$15 \div 3$
Change “15” to “25” and move the cursor to “3”.	2 \blacktriangleright \blacktriangleright	$25 \div 3$
Change to insert mode.	2ndF INS	$25 \div 3$
Change “3” to “13” and calculate.	1 $=$	$25 \div 13 =$ 1.92

Errors

An error will occur if an operation exceeds the calculation ranges, or if a mathematically illegal operation is attempted. When an error occurs, pressing \blacktriangleleft or \blacktriangleright automatically moves the cursor to the place in the equation/number where the error occurred. Edit the equation/number or press ON/C to clear the equation. For details, see page 76.

Memory Calculations

This calculator has 11 temporary memories (A-H and X-Z), one independent memory (M) and one last answer memory (ANS). It also has various variables for use in financial calculations and statistical calculations.

Memory use in each mode for memory calculations

Mode	A-H, X-Z	M	ANS	TVM variables ^{*1}	Listed financial variables ^{*2}	Statistical variables ^{*3}
NORMAL	○	○	○	○	×	×
STAT	○	○	○	×	×	○

○: Available ×: Unavailable

*1 N, I/Y, PV, PMT, FV

*2 All financial variables, except for TVM variables

*3 \bar{x} , sx , σx , n , Σx , Σx^2 , \bar{y} , sy , σy , Σy , Σy^2 , Σxy , r , a , b , c

Temporary memories (A-H, X-Z)

Press **[STO]** and the variable key to store a value in memory.

Press **[RCL]** and the variable key to recall a value from the memory.

To place a variable in an equation, press **[ALPHA]** and the variable key.

Independent memory (M)

In addition to all the other features of temporary memories, a value can be added to or subtracted from an existing memory value.

Press **[ON/C]** **[STO]** **[M]** to clear the independent memory (M).

Last answer memory (ANS)

- The calculation result obtained by pressing **[=]** or any other calculation ending instruction (including storing and recalling operations) is automatically stored in the last answer memory.
- Listed financial variables are automatically stored in the last answer memory by displaying the variable and the value.

TVM variables

TVM variables can be recalled using **[RCL]** in the same way as temporary memories. It is not necessary to press **[STO]** to store a value.

Listed financial variables

Financial variables are specific to the type of calculation they are used in. For example, the variable N is available to the TVM solver but not to discounted cash flow analysis calculations. If you want to carry a value from a variable over into a different type of calculation, use one of the following methods:

- Last answer memory (ANS): Within the original calculation, display the variable and value that you wish to carry over. The value is automatically entered into last answer memory. Press **[ON/C]** to exit the calculation (the listed financial variables will disappear from the screen), and press **[ALPHA]** **[ANS]** to bring up the value from the previous calculation. M-D-Y (D-M-Y) 1 and M-D-Y (D-M-Y) 2 are not stored in last answer memory.
- Variables common to both calculations: If the value that you wish to carry over is held in a variable that exists in both types

of calculation (for example, both bond calculations and the TVM solver use the variable I/Y), you can retrieve the value simply by switching calculation types and bringing up the variable.

Statistical variables

Statistical data is not entered into variables. Statistical variables are the results of the calculation of statistical data. Therefore, you cannot enter values directly into statistical variables. After calculation, however, you can use the values held in statistical variables in subsequent calculations.

Note: Use of $\boxed{\text{RCL}}$ or $\boxed{\text{ALPHA}}$ will recall the value stored in memory using up to 14 digits.

Example Memory calculations

Example	Key operation	Result
$24 \div (8 \times 2) =$ $(8 \times 2) \times 5 =$	$\boxed{\text{ON/C}} \ 8 \ \boxed{\times} \ 2 \ \boxed{\text{STO}} \ \boxed{\text{M}}$ $24 \ \boxed{\div} \ \boxed{\text{ALPHA}} \ \boxed{\text{M}} \ \boxed{=}$ $\boxed{\text{ALPHA}} \ \boxed{\text{M}} \ \boxed{\times} \ 5 \ \boxed{=}$	16.00 1.50 80.00
$\$150 \times 3: M_1$ $+) \$250: M_2 = M_1 + 250$ $-) M_2 \times 5\%$ $\underline{\quad\quad}$ M	$\boxed{\text{ON/C}} \ \boxed{\text{STO}} \ \boxed{\text{M}}$ $150 \ \boxed{\times} \ 3 \ \boxed{\text{M}+}$ $250 \ \boxed{\text{M}+}$ $\boxed{\text{RCL}} \ \boxed{\text{M}} \ \boxed{\times} \ 5 \ \boxed{2\text{ndF}} \ \boxed{\%}$ $\boxed{2\text{ndF}} \ \boxed{\text{M}-} \ \boxed{\text{RCL}} \ \boxed{\text{M}}$	0.00 450.00 250.00 35.00 665.00
$\$1 = \text{¥}110$ $\text{¥}26,510 = \$?$ $\$2,750 = \text{¥}?$	$110 \ \boxed{\text{STO}} \ \boxed{\text{Y}}$ $26510 \ \boxed{\div} \ \boxed{\text{RCL}} \ \boxed{\text{Y}} \ \boxed{=}$ $2750 \ \boxed{\times} \ \boxed{\text{RCL}} \ \boxed{\text{Y}} \ \boxed{=}$	110.00 241.00 302500.00
$r = 3 \text{ cm } (r \rightarrow Y)$ $\pi r^2 = ?$	$3 \ \boxed{\text{STO}} \ \boxed{\text{Y}}$ $\boxed{2\text{ndF}} \ \boxed{\pi} \ \boxed{\text{ALPHA}} \ \boxed{\text{Y}} \ ^*$ $\boxed{2\text{ndF}} \ \boxed{x^2} \ \boxed{=}$	3.00 28.27
$\frac{24}{4 + 6} = 2.4 \dots (A)$ $3 \times (A) + 60 \div (A) =$	$24 \ \boxed{\div} \ \boxed{(} \ 4 \ \boxed{+} \ 6 \ \boxed{)} \ \boxed{=}$ $3 \ \boxed{\times} \ \boxed{\text{ALPHA}} \ \boxed{\text{ANS}} \ \boxed{+} \ 60 \ \boxed{\div}$ $\boxed{\text{ALPHA}} \ \boxed{\text{ANS}} \ \boxed{=}$	2.40 32.20

* Entry of the multiplication procedure is omitted between “ π ” and a variable.

Chapter 3

Financial Functions

General Information

Financial calculations

The following financial functions are available. Use NORMAL mode to perform financial calculations.

TVM (Time Value of Money) solver: Analyze equal and regular cash flows. These include calculations for mortgages, loans, leases, savings, annuities and contracts or investments with regular payments.

Amortization calculations: Calculate and create amortization schedules using values stored in the TVM solver.

Discounted cash flow analysis: Analyze unequal cash flows and calculate NPV (net present value) and IRR (internal rate of return).

Bond calculations: Solve bond prices or yields to maturity with accrued interest.

Depreciation calculations: Obtain depreciation base values using three types of calculation methods.

Conversion between APR and EFF: Interest rates can be converted between APR (annual, or nominal percentage rate) and EFF (effective interest rate).

Day and date calculations: Calculate dates and the number of days between dates.

Percent change/Compound interest calculations: Calculate percent change (increase or decrease) and compound interest rates.

Cost/Sell/Margin/Markup calculations: Calculate cost, selling price and margin/markup.

Breakeven calculations: Calculate breakeven points (quantity) using fixed costs, variable costs per unit, unit prices, and profit.



Variables used in financial calculations

Financial calculations use multiple variables. By entering known values into variables, you can obtain unknown values. Variables used in financial calculations are categorized into the following two types, depending on the entry method.

TVM variables:

Variables that are used in the TVM solver. These include N, I/Y, PV, PMT and FV. You can store, recall or calculate values directly using the corresponding keys.

Listed financial variables:

Variables that are organized into lists in different categories. These variables can be accessed using the / cursor keys in each calculation. P/Y and C/Y in the TVM solver are of this type of variable.

Variables shared among calculations

Financial variables are specific to the type of calculation they are used in. Values are stored in these variables and recalled as required. Some variables are shared (in the memory area) among calculations. If you change the value of a variable in one calculation, the value will change in all the other calculations as well. The following list shows the variables shared between calculations. While calculating, be aware of the values stored in these variables.

TVM solver	Discounted cash flow analysis	Bond calculations	Depreciation calculations	Percent change/Compound interest calculations	Day and date calculations
N	—	CPN/Y (N)	LIFE (N)	PERIODS (N)	—
I/Y	RATE (I/Y)	YIELD (I/Y)	DB (I/Y)	% (I/Y)	—
PV	—	PRICE (PV)	COST (PV)	OLD PRC (PV)	—
PMT	—	COUPON (PMT)	—	—	—
FV	—	REDEMPT (FV)	SALVAGE (FV)	NEW PRC (FV)	—
—	—	M-D-Y 1* D-M-Y 1	—	—	M-D-Y 1* D-M-Y 1
—	—	M-D-Y 2* D-M-Y 2	—	—	M-D-Y 2* D-M-Y 2

*The variable names vary according to the data format settings.

Basic variable operations

TVM variables (N, I/Y, PV, PMT, FV)

A. Entering a value

Enter a value and then press the corresponding TVM variable key.

Note: You can also enter values into variables using arithmetic operations.

Ex. 100 12

B. Displaying a value

Press and the corresponding TVM variable key.

C. Executing calculation

Press and the corresponding TVM variable key.

Listed financial variables

A. Entering a value

1. Select the desired financial calculation method by pressing the corresponding financial calculation key.
2. Use / to select the variable you wish to enter.
3. Enter the value and press when the “ENT” symbol appears.

Note: In step 3, you can also enter values into variables using arithmetic operations.

Ex. 100 12

B. Displaying a value

Use / to show the variable and value.

C. Executing calculation

1. Use / to select the variable you wish to calculate.
2. Press when the “COMP” symbol appears.

Note: Pressing resets all the variables in the displayed listed financial group to the default values. For details, see the relevant sections for each financial calculation.

The ENT and COMP symbols

Listed financial variables are categorized by whether they are known or unknown. When the variable is selected (displayed), the “ENT” and/or “COMP” symbols will appear to indicate that the current variable may be entered (known variable) and/or calculated (unknown variable), respectively. For details, refer to the explanations or examples for each financial function.

Note: TVM variables (N, I/Y, PV, PMT and FV) can be entered (known variables) and calculated (unknown variables), however, neither “ENT” nor “COMP” will appear on the display.

Category	Display symbols	Descriptions
For entry only	ENT	Variable can be used as a known, but not as an unknown.
For calculation only	COMP	Variable can be used as an unknown, but not as a known.
For entry or calculation	ENT COMP	Variable can be used as either a known or an unknown.
Calculated automatically	—	Unknown variable, but the calculator calculates the value automatically.

Notes:

- During financial calculation, the word “calculating!” will be displayed on the screen. You can press **ON/C** at this time to cancel the calculation.
- Calculation-only and automatically calculated variables have no default values.
- The **□** symbol will be displayed if the value of the displayed variable has not been calculated yet (for variables that can be calculated).

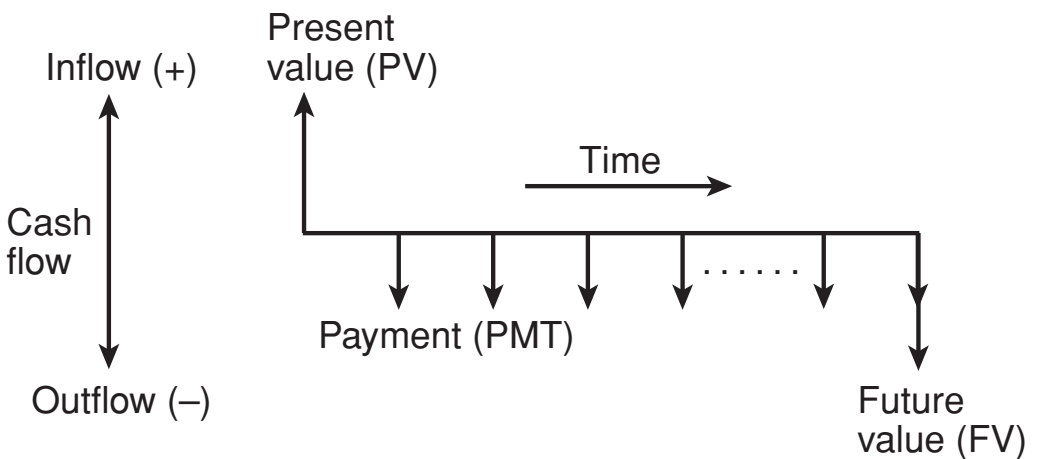
Compound interest

This calculator assumes interest is compounded periodically in financial calculations (compound interest). Compound interest accumulates at a predefined rate on a periodic basis. For example, money deposited in a passbook saving account at a bank accumulates a certain amount of interest each month, increasing the account balance. The amount of interest received each month depends on the balance of the account during that month, including interest added in previous months. Interest earns interest, which is why it is called compound interest.

It is important to know the compounding period of a loan or investment before starting, because the whole calculation is based on it. The compounding period is specified or assumed (usually monthly).

Cash flow diagrams

The direction of arrows indicates the direction of cash movement (inflow and outflow) with time. This manual uses the following cash flow diagrams to describe cash inflows and outflows.



TVM (Time Value of Money) Solver

Analyze equal and regular cash flows. These include calculations for mortgages, loans, leases, savings, annuities, and contracts or investments with regular payments.

Note: Discounted cash flow analysis can be done using unequal cash flows (see page 37).

An amortization schedule can be calculated using the information stored in the TVM solver (see page 33).

Variables used in the TVM solver

Variable	Corresponding variable key	Description	Default value
N	<input type="text" value="N"/>	Total number of payments	1
I/Y	<input type="text" value="I/Y"/>	Interest rate per year	0
PV	<input type="text" value="PV"/>	Present value	0
PMT	<input type="text" value="PMT"/>	Payment	0
FV	<input type="text" value="FV"/>	Future value	0
P/Y	<input type="text" value="2ndF"/> <input type="text" value="P/Y"/>	Number of payments per year	1
C/Y	<input type="text" value="2ndF"/> <input type="text" value="P/Y"/> <input type="text" value="▼"/>	Number of compounding periods per year	1

Setting the payment period (payment due)

You can toggle between ordinary annuity (payment at the end of the period) and annuity due (payment at the beginning of the period) using . The default setting is ordinary annuity (**BGN** is not displayed).

Refer to page 28 for details.

Basic operations

Refer to page 19 for basic variable operations.

1. Press to clear the display.
 - Make sure the calculator is in NORMAL mode.
 - All the TVM solver variables retain their previously entered values. If you wish to clear all the data, press .
2. Select ordinary annuity or annuity due using .

3. Enter values into TVM solver variables.

- Enter a value and press the appropriate TVM variable key (\boxed{N} , $\boxed{I/Y}$, \boxed{PV} , \boxed{PMT} , \boxed{FV}).
- Press $\boxed{2ndF}$ $\boxed{P/Y}$ and then enter a value for P/Y. The same value is automatically assigned to C/Y as well. Values entered into P/Y or C/Y must be positive. After entering values, press $\boxed{ON/C}$ to quit the P/Y and C/Y settings.
- After setting P/Y (number of payments per year), you can use $\boxed{2ndF}$ $\boxed{\times P/Y}$ to enter N (total number of payments). Enter the number of years and press $\boxed{2ndF}$ $\boxed{\times P/Y}$. The calculator automatically calculates the total number of payments.
- By pressing \boxed{RCL} \boxed{ANS} you can use the result of the previous normal calculation stored in ANS memory as a TVM variable.
- Note that some variables are shared by other calculations and may have values assigned by those calculations.

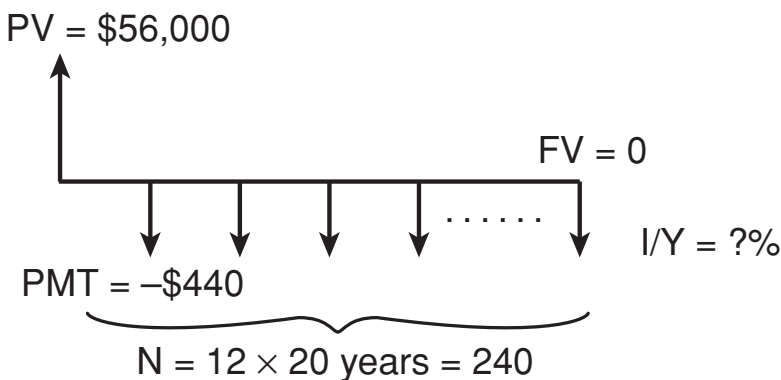
4. Press \boxed{COMP} and the TVM variable key that you wish to solve.

- The calculation is performed and the obtained values are displayed.

Basic examples for the TVM solver

Example 1 *Calculating basic loan interest*

A \$56,000 mortgage loan (compounded monthly) requires monthly payments of \$440 during its 20-year amortization period. Calculate the annual interest rate on the mortgage.



Default values for the number of payments per year (P/Y) and the number of compounding periods per year (C/Y) are both set to 1. Set these values before entering TVM variable values.

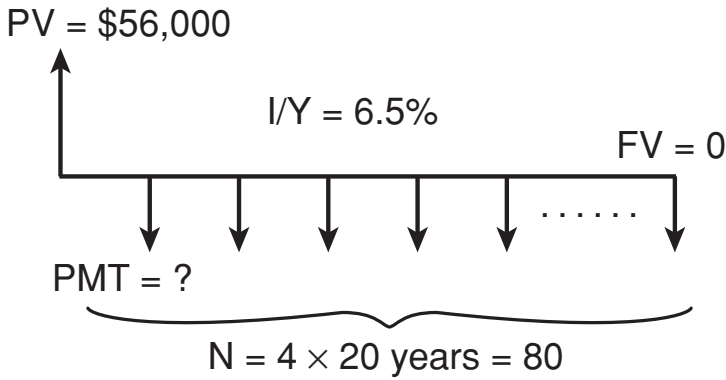
Procedure	Key operation	Display
Set all the variables to default values.	<input type="button" value="2ndF"/> <input type="button" value="CA"/>	0.00
Make sure ordinary annuity is set (BGN is not displayed).		
Set the number of payments per year to 12.	<input type="button" value="2ndF"/> <input type="button" value="P/Y"/> 12 <input type="button" value="ENT"/>	\downarrow P/Y = 12.00
The number of compounding periods per year is automatically set to the same value as P/Y.		
Confirm the number of compounding periods per year.	<input type="button" value="▼"/>	\downarrow C/Y = 12.00
Quit the P/Y and C/Y settings.	<input type="button" value="ON/C"/>	0.00
Calculate the total number of payments and store in N.	20 <input type="button" value="2ndF"/> <input type="button" value="xP/Y"/> <input type="button" value="N"/>	ANS \Rightarrow N 240.00
Enter the present value.	56000 <input type="button" value="PV"/>	56000 \Rightarrow PV 56000.00
Enter payment.	<input type="button" value="+/-"/> 440 <input type="button" value="PMT"/>	(-440) \Rightarrow PMT -440.00
Enter the future value.	0 <input type="button" value="FV"/>	0 \Rightarrow FV 0.00
Calculate the annual interest rate.	<input type="button" value="COMP"/> <input type="button" value="I/Y"/>	I/Y = 7.17

Answer: The annual interest rate is 7.17%.

Note: If you make a mistake, press to erase the number and enter the correct number to continue.
After pressing the TVM variable key, you must re-enter values from the beginning.

Example 2 *Calculating basic loan payments*

Calculate the quarterly payment for a \$56,000 mortgage loan at 6.5% compounded quarterly during its 20-year amortization period.

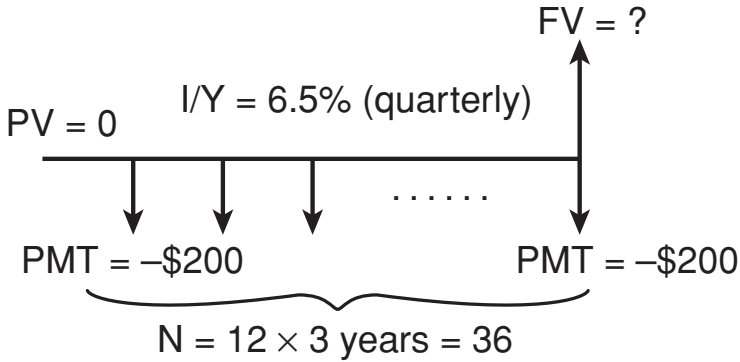


Procedure	Key operation	Display
Set all the variables to default values.	<code>2ndF</code> <code>CA</code>	0.00
Make sure ordinary annuity is set (BGN is not displayed).		
Set the number of payments per year to 4.	<code>2ndF</code> <code>P/Y</code> <code>4</code> <code>ENT</code>	\downarrow P/Y = 4.00
Confirm the number of compounding periods per year.	<code>▼</code>	\downarrow C/Y = 4.00
Quit the P/Y and C/Y settings.	<code>ON/C</code>	0.00
Calculate the total number of payments and store in N.	<code>20</code> <code>2ndF</code> <code>xP/Y</code> <code>N</code>	ANS \Rightarrow N 80.00
Enter the present value.	<code>56000</code> <code>PV</code>	<code>56000</code> \Rightarrow PV 56000.00
Enter the future value.	<code>0</code> <code>FV</code>	<code>0</code> \Rightarrow FV 0.00
Enter the annual interest rate.	<code>6.5</code> <code>I/Y</code>	<code>6.5</code> \Rightarrow I/Y 6.50
Calculate the quarterly payment.	<code>COMP</code> <code>PMT</code>	PMT = -1255.86

Answer: The quarterly payments are \$1,255.86.

Example 3 **Calculating future value**

You will pay \$200 at the end of each month for the next three years into a savings plan that earns 6.5% compounded quarterly. What amount will you have at the end of period if you continue with the plan?

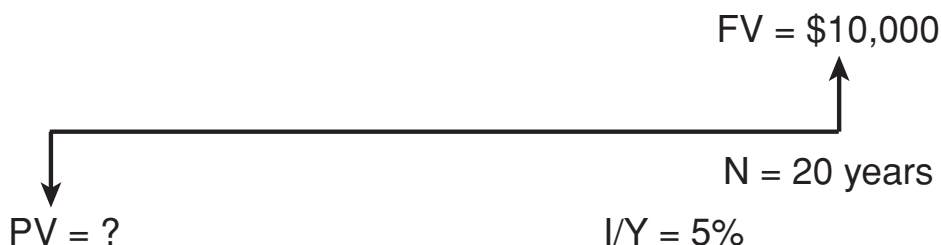


Procedure	Key operation	Display
Set all the variables to default values.	<code>2ndF</code> <code>CA</code>	0.00
Make sure ordinary annuity is set (BGN is not displayed).		
Set the number of payments per year to 12.	<code>2ndF</code> <code>P/Y</code> <code>12</code> <code>ENT</code>	\downarrow P/Y = 12.00
Set the number of compounding periods per year to 4.	<code>▼</code> <code>4</code> <code>ENT</code>	\downarrow C/Y = 4.00
Quit the P/Y and C/Y settings.	<code>ON/C</code>	0.00
Calculate the total number of payments and store in N.	<code>3</code> <code>2ndF</code> <code>xP/Y</code> <code>N</code>	ANS \Rightarrow N 36.00
Enter the present value.	<code>0</code> <code>PV</code>	$0 \Rightarrow$ PV 0.00
Enter payment.	<code>+/-</code> <code>200</code> <code>PMT</code>	$(-200) \Rightarrow$ PMT -200.00
Enter the annual interest rate.	<code>6.5</code> <code>I/Y</code>	$6.5 \Rightarrow$ I/Y 6.50
Calculate the future value.	<code>COMP</code> <code>FV</code>	FV = 7922.19

Answer: You will have \$7,922.19 at the end of the three-year period.

Example 4 *Calculating present value*

You open an account that earns 5% compounded annually. If you wish to have \$10,000 twenty years from now, what amount of money should you deposit now?



Procedure	Key operation	Display
Set all the variables to default values.	<code>2ndF</code> <code>CA</code>	0.00
Make sure ordinary annuity is set (BGN is not displayed).		
Set the number of payments per year to 1.	<code>2ndF</code> <code>P/Y</code> <code>1</code> <code>ENT</code>	\downarrow P/Y = 1.00
The number of compounding periods per year is automatically set to 1. Press <code>ON/C</code> to exit the P/Y and C/Y settings.		
Enter the total number of payments.	<code>ON/C</code> <code>20</code> <code>N</code>	20 \Rightarrow N 20.00
Enter the future value.	<code>10000</code> <code>FV</code>	10000 \Rightarrow FV 10000.00
Set payment to zero.	<code>0</code> <code>PMT</code>	0 \Rightarrow PMT 0.00
Enter the annual interest rate.	<code>5</code> <code>I/Y</code>	5 \Rightarrow I/Y 5.00
Calculate the present value.	<code>COMP</code> <code>PV</code>	PV = -3768.89

Answer: You should deposit \$3,768.89 now.

Specifying payments due ($2^{nd}F$ BGN/END)

This calculator can select ordinary annuity or annuity due depending on the regular cash flow (payment) conditions.

Ordinary annuity (END):

This is the default setting for financial calculations. **BGN** is not displayed. A regular cash flow (payment) is received at end of each payment period. Often applied to loan calculations, etc.

Annuity due (BGN):

BGN appears on the display. A regular cash flow (payment) is received at the beginning of each payment period. Often applied to the finance lease of an asset.

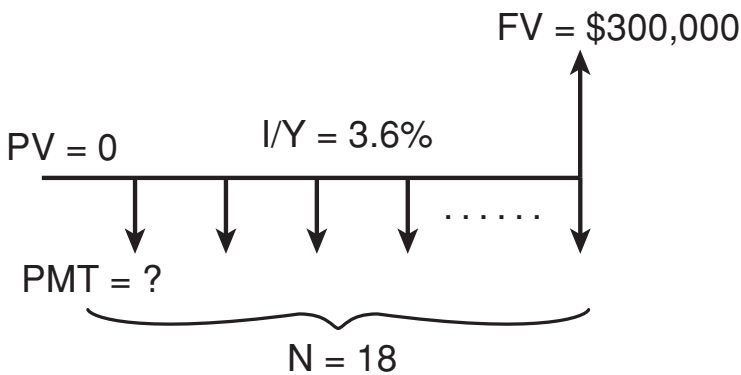
To toggle between ordinary annuity and annuity due, press

$2^{nd}F$ BGN/END .

Note: The above selection only affects the TVM solver.

Example 1 **Ordinary annuity**

Your company wishes to accumulate a fund of \$300,000 over the next 18 months in order to open a second location. At the end of each month, a fixed amount will be invested in a money market savings account with an investment dealer. What should the monthly investment be in order to reach the savings objective, assuming the account will earn 3.6% interest compounded monthly?



Procedure	Key operation	Display
Set all the variables to default values.	$2^{nd}F$ CA	0.00

Make sure ordinary annuity is set (**BGN** is not displayed).

Set the number of payments per year to 12.	$2^{nd}F$ P/Y 12 ENT	$P/Y =$ 12.00
--	--------------------------	------------------

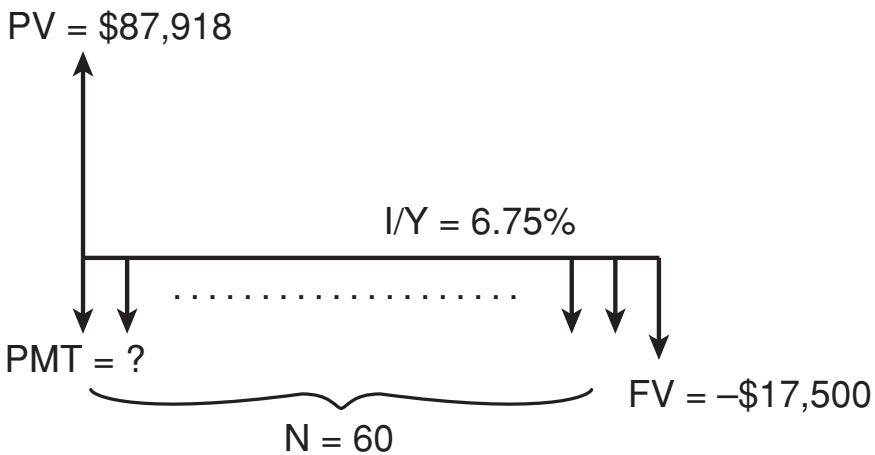
The number of compounding periods per year is automatically set to 12. Press ON/C to exit the P/Y and C/Y settings.

Procedure	Key operation	Display
Enter the total number of payments.	ON/C 18 N	18⇒N 18.00
Enter the future value.	300000 FV	300000⇒FV 300000.00
Set the present value to zero.	0 PV	0⇒PV 0.00
Enter the annual interest rate.	3.6 I/Y	3.6⇒I/Y 3.60
Calculate payment.	COMP PMT	PMT= -16245.70

Answer: The monthly investment should be \$16,245.70.

Example 2 **Calculating lease payments (Annuity due)**

You plan to purchase a new car with a value of \$87,918 on a 60-month lease. If the annual interest rate is 6.75%, the contractual purchase option price at lease end is \$17,500, and payment is due at the beginning of each month, how much should you pay each month?



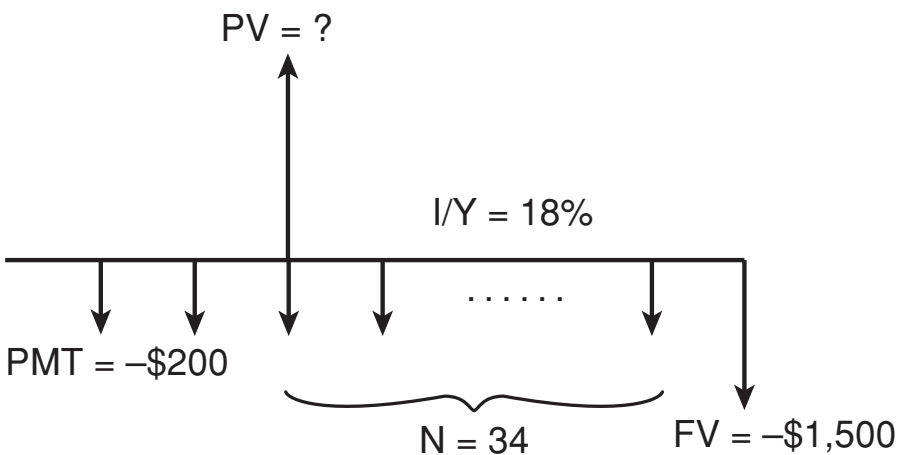
Procedure	Key operation	Display
Set all the variables to default values.	2ndF CA	0.00
Set to annuity due (BGN is displayed).	2ndF BGN/END	BGN 0.00
Set the number of payments per year to 12.	2ndF P/Y 12 ENT	^{BGN} P/Y= 12.00

Procedure	Key operation	Display
The number of compounding periods per year is automatically set to 12. Press ON/C to exit the P/Y and C/Y settings.		
Enter the total number of payments.	ON/C 60 N	^{BGN} 60 ⇒ N 60.00
Enter the future value.	+/- 17500 FV	^{BGN} (-17500) ⇒ FV -17500.00
Enter the present value.	87918 PV	^{BGN} 87918 ⇒ PV 87918.00
Enter the annual interest rate.	6.75 I/Y	^{BGN} 6.75 ⇒ I/Y 6.75
Calculate payment.	COMP PMT	^{BGN} PMT = -1476.20

Answer: You should pay \$1,476.20 each month.

Example 3 *Calculating the present value of a lease with trade-in value*

Your client wishes to buy a machine currently leased from your company. On a five-year lease with payments of \$200 at the beginning of each month, the machine has a trade-in value of \$1,500 with 34 monthly payments remaining. If your company sells the machine at the present value of the lease, discounted at an annual interest rate of 18%, compounded monthly, how much should your company charge for the machine?



Procedure	Key operation	Display
Set all the variables to default values.	2ndF CA	0.00
Set to annuity due (BGN is displayed).	2ndF BGNEND	^{BGN} 0.00
Set the number of payments per year to 12.	2ndF P/Y 12 ENT	^{BGN} P/Y = 12.00

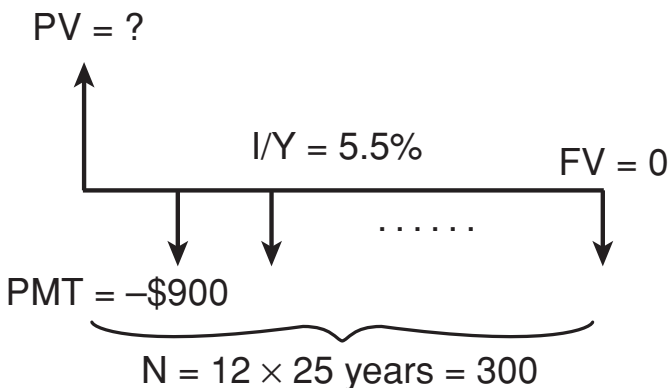
The number of compounding periods per year is automatically set to 12. Press ON/C to exit the P/Y and C/Y settings.

Enter the total number of payments.	ON/C 34 N	^{BGN} 34 \Rightarrow N 34.00
Enter payment.	+/- 200 PMT	^{BGN} (-200) \Rightarrow PMT -200.00
Enter the annual interest rate.	18 I/Y	^{BGN} 18 \Rightarrow I/Y 18.00
Enter the future value.	+/- 1500 FV	^{BGN} (-1500) \Rightarrow FV -1500.00
Calculate the present value.	COMP PV	^{BGN} PV = 6279.95

Answer: \$6,279.95 should be charged for the machine.

Example 4 **Calculating down payment and amount to borrow**

You wish to buy a house for \$180,000. The finance company charges a 5.5% APR, compounded monthly, on a 25-year loan. If you can afford a monthly payment of \$900, how much can you borrow? How much do you need for a down payment?



Procedure	Key operation	Display
Set all the variables to default values.	$\boxed{2ndF} \boxed{CA}$	0.00
Make sure ordinary annuity is set (BGN is not displayed).		
Set the number of payments per year to 12.	$\boxed{2ndF} \boxed{P/Y} 12 \boxed{ENT}$	$\downarrow P/Y =$ 12.00
The number of compounding periods per year is automatically set to 12. Press $\boxed{ON/C}$ to exit the P/Y and C/Y settings.		
Enter the total number of payments.	$\boxed{ON/C} 25 \boxed{2ndF} \boxed{\times P/Y}$ \boxed{N}	ANS \Rightarrow N 300.00
Enter payment.	$\boxed{+/-} 900 \boxed{PMT}$	$(-900) \Rightarrow$ PMT -900.00
Enter the annual interest rate.	5.5 $\boxed{I/Y}$	5.5 \Rightarrow I/Y 5.50
Set the future value to zero.	0 \boxed{FV}	0 \Rightarrow FV 0.00
Calculate the present value.	$\boxed{COMP} \boxed{PV}$	PV = 146'558.92
Calculate the down payment.	$\boxed{ON/C} 180000 \boxed{-}$ $\boxed{RCL} \boxed{PV} \boxed{=}$	180000 - PV = 33441.08

Answer: You can borrow \$146,558.92 in total. The price of the house is \$180,000, so:

$$\begin{aligned} \text{Down payment} &= \$180,000 - \text{present value} \\ &= \$180,000 - \$146,558.92 \end{aligned}$$

You need \$33,441.08 for a down payment.

Amortization Calculations

Calculate and create amortization schedules using values stored in the TVM solver.

Note: Prior to using amortization, you need to enter values into TVM variables.

Variables used in amortization

Variable	Description	Default value
AMRT P1	Start of payment (nth time)	1
AMRT P2	End of payment (nth time)	1
BALANCE	Remaining balance after payment	—
Σ PRINCIPAL	Principal paid	—
Σ INTEREST	Interest paid over the specified periods	—

- BALANCE, Σ PRINCIPAL and Σ INTEREST are calculated automatically, so no default values are set.
- AMRT P1 and AMRT P2 must be between 1 and 9,999.

Basic operations

Refer to page 19 for basic variable operations.

1. Press **(ON/C)** to clear the display.
 - Make sure the calculator is in NORMAL mode.
 - All the TVM solver variables retain their previously entered values. If you wish to clear all the data, press **(2ndF)** **(CA)**.
2. Select ordinary annuity or annuity due using **(2ndF)** **(BGN/END)**.
3. Enter the appropriate numeric values for the variables used in the TVM solver.
 - Confirm the values of N, I/Y, PV, PMT, FV, P/Y and C/Y.
4. Press **(AMRT)** to use amortization calculation.
5. Enter a value for “AMRT P1” and press **(ENT)**.

A calculator display showing the text 'AMRT P1=' with 'ENT' above 'AMRT' and 'TAB DEG' above 'P1'. The value '1.00' is displayed on the right side of the screen.
6. Press **(▼)**, enter a value for “AMRT P2” and press **(ENT)**.
7. Display values for BALANCE, Σ PRINCIPAL and Σ INTEREST by pressing **(▼)** once for each. Each value is calculated automatically.

8. Press \blacktriangledown to calculate the next period of the amortization schedule.
9. Repeat steps 5 to 7 above.
 - If you press COMP during “AMRT P1” and “AMRT P2” entry, the values for the next period of payment will be automatically calculated and displayed.
 - To end amortization calculations, press ON/C . Pressing ON/C during entry will clear the value entered.

Example 1 *Calculating mortgage payments and generating an amortization schedule*

1. Calculate the monthly payment of a 20-year loan with a loan amount of \$90,000 and a 5.45% APR.

Procedure	Key operation	Display
Set all the variables to default values.	2ndF CA	0.00
Make sure ordinary annuity is set (BGN is not displayed).		
Set TVM solver variables and calculate payment.	2ndF P/Y 12 ENT ON/C 20 2ndF xP/Y N 90000 PV 0 FV 5.45 I/Y COMP PMT	PMT = -616.56

Answer: The monthly payment is \$616.56.

Now generate an amortization schedule for the first 5 years of the loan. If the first payment is in August, the first year has 5 payment periods and the following years have 12 payment periods each.

2. Calculate the amortization schedule for the first year.

Procedure	Key operation	Display
Change to amortization calculation and enter 1 (August) for the starting payment.	AMRT 1 ENT	↓ AMRT P1 = 1.00
Enter 5 (December) for the ending payment.	\blacktriangledown 5 ENT	↓ AMRT P2 = 5.00
Display the remaining balance.	\blacktriangledown	↓ BALANCE = 88951.48

Procedure	Key operation	Display
Display the principal paid.	▼	∫ΣPRINCIPAL= -104852
Display the interest paid.	▼	∫ΣINTEREST= -2034.28

3. Calculate the amortization schedule for the second year.

Procedure	Key operation	Display
Change amortization schedule to the second year and enter 6 (January) for the starting payment.	▼ 6 (ENT)	∫AMRT P1= 6.00
Enter 17 (December) for the ending payment.	▼ 17 (ENT)	∫AMRT P2= 17.00
Display the remaining balance.	▼	∫BALANCE= 86335.92
Display the principal paid.	▼	∫ΣPRINCIPAL= -2615.56
Display the interest paid.	▼	∫ΣINTEREST= -4783.16

4. Calculate the amortization schedule for the third year.

Procedure	Key operation	Display
Change amortization schedule to the third year and enter the next 12 months automatically.	▼ (COMP) ▼	∫AMRT P2= 29.00
Display the remaining balance.	▼	∫BALANCE= 83574.21
Display the principal paid.	▼	∫ΣPRINCIPAL= -2761.71
Display the interest paid.	▼	∫ΣINTEREST= -4637.01

5. Repeat the above operation for the fourth and fifth years.

Example 2 *Calculating payments, interest, and loan balance after a specified payment*

You have taken out a 30-year loan for \$500,000, with an annual interest rate of 8.5%. If, after the 48th period, you want a balloon payment due, what amount of monthly payment must you make with monthly compounding and how much will the balloon payment be?

Procedure	Key operation	Display
Set all the variables to default values.	ON/C 2ndF CA	0.00
Make sure ordinary annuity is set (BGN is not displayed).		
Set TVM solver variables and calculate payment.	2ndF P/Y 12 ENT ON/C 30 2ndF xP/Y N 500000 PV 0 FV 8.5 I/Y COMP PMT	PMT = -3844.57

Answer: The monthly payment is \$3,844.57.

Now generate an amortization schedule from the first to the 48th payments.

Procedure	Key operation	Display
Change to amortization calculation and enter 1 for the starting payment.	AMRT 1 ENT	↓ AMRT P1 = 1.00
Enter 48 (December) for the ending payment.	▼ 48 ENT	↓ AMRT P2 = 48.00
Display the balance after 48 months. (balloon payment)	▼	↓ BALANCE = 482755.24
Display the principal paid over 48 months.	▼	↓ Σ PRINCIPAL = -17244.76
Display the interest paid over 48 months.	▼	↓ Σ INTEREST = -167294.60

Answer: The balloon payment after the 48th period would be \$482,755.24.

Discounted Cash Flow Analysis

Analyze unequal cash flows and calculate the net present value (NPV) and the internal rate of return (IRR).

Note: Use the TVM solver for equal and regular cash flow analysis (see page 22).

Entering cash flow data

To find NPV and IRR using discounted cash flow analysis, enter cash flow data, one data item at a time, in the following format:

Single cash flows

Cash flow value

Repeated cash flows

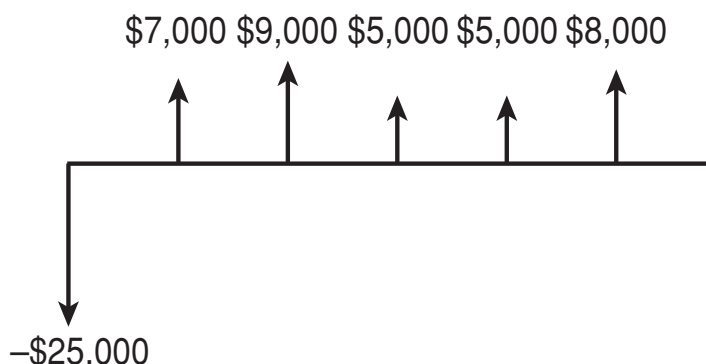
Cash flow value frequency value

Notes:

- Before entering data, press to clear any previously entered cash flow data.
- Press to enter a negative cash flow (outflow).
- Make sure the calculator is in NORMAL mode. It is not possible to enter cash flow data when listed financial variables are shown on the display. Press to exit.
- You can enter a total of up to 100 cash flow and/or statistical data items. A single cash flow value is counted as one data item, while a cash flow value with an associated frequency value is counted as two.
- Frequency values must be integers between 1 and 999.
- If you wish to correct a value before pressing , press to delete the entry and enter the correct value.

Example Entering cash flow data

Enter cash flow data according to the following cash flow diagram.



Procedure	Key operation	Display
Bring up the initial display in NORMAL mode.	ON/C *1	0.00
Enter cash flow data.	+/- 25000 DATA	DATA SET:CF 0.00 *2
	7000 DATA	DATA SET:CF 1.00
	9000 DATA	DATA SET:CF 2.00
	5000 (x,y) 2 DATA	DATA SET:CF 3.00
	8000 DATA	DATA SET:CF 4.00

*1 If there is cash flow data stored, press **CFi** **2ndF** **CA** to clear it.

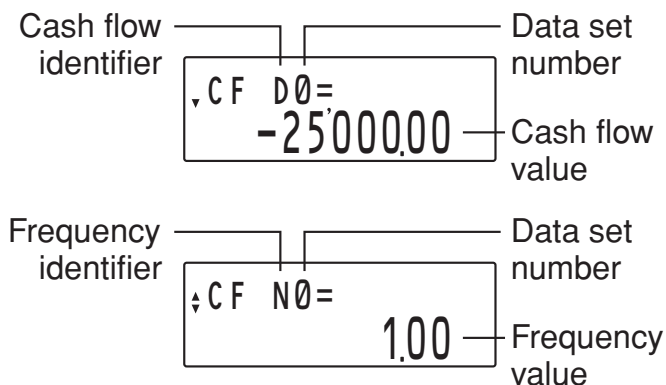
*2 The format of the data set (cash flow and frequency values) number, which is initially set to “0.00,” is dependent on calculator display notation settings.

Confirming and editing data

Confirming data

Press **CFi** to display any previously entered cash flow data. The data is displayed in order by data item (identifier, number, and value).

Use **▲**/**▼** to display a data item from a previously entered data set.



- Press 2ndF \blacktriangle or 2ndF \blacktriangledown to jump to the first or the last data item, respectively.
- Each data item is displayed in the form $\text{CF } Dn=$ (cash flow value) or $\text{CF } Nn=$ (frequency), where n indicates the data set number.

Editing data

- Display the data item you wish to modify by using \blacktriangle / \blacktriangledown , enter a new value and press DATA .
- If a frequency value is set to zero, then the associated data set is deleted.

Deleting data

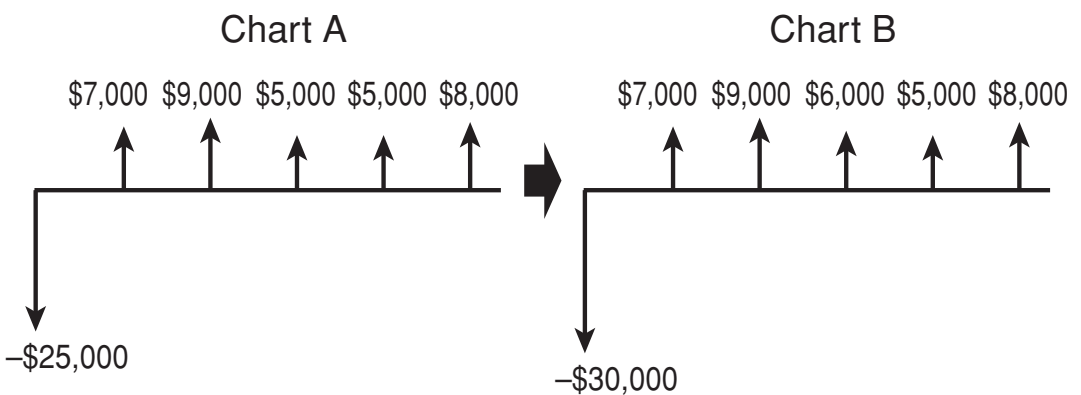
- Display the data item to be deleted by using \blacktriangle / \blacktriangledown , and press 2ndF CLR-D .
- If a cash flow value/frequency is deleted, the corresponding frequency/cash flow value is also deleted.
- If you wish to delete all data, press 2ndF CA .

Inserting data

Using the \blacktriangle and \blacktriangledown keys, specify the correct place to insert your new data by displaying the value that is to come directly after, and then press 2ndF INS-D . A new data set with a cash flow value of zero and a frequency value of one will be inserted. Modify the new data set to include your data.

Example **Correcting cash flow data**

Currently the cash flow data is that shown in chart A. Change it according to chart B.



Procedure	Key operation	Display
Display previously entered cash flow data. (Example on page 37)	ON/C CFi	$\text{,CF } D0=$ -25000.00

Procedure	Key operation	Display
Change the first cash flow value from -25,000 to -30,000.	\pm/\mp 30000 (DATA)	CF D0= -30000.00
Change the frequency of 5000 from 2 to 1.	∇ ∇ ∇ ∇ ∇ ∇ ∇ 1 (DATA)	CF N3= 1.00
Add a new data set (6000) immediately before 5000.	(2ndF) (INS-D) 6000 (DATA)	CF D3= 6000.00

To confirm the corrections, press (2ndF) (\blacktriangle) to jump to the first data item and press (∇) to browse through each data item.

Variables used in discounted cash flow analysis

Variable	Description	Default value
RATE (I/Y)	Internal rate of return (IRR)	0
NET_PV	Net present value (NPV)	—

- The variable RATE (I/Y) is shared by the variable I/Y. NET_PV is for calculation only and has no default value.
- The BGN/END setting is not available for discounted cash flow analysis.

NPV and IRR

The calculator solves the following cash flow values:

Net present value (NPV):

The total present value of all cash flows, including cash paid out (outflows) and cash received (inflows). A profitable investment is indicated by a positive NPV value.

Internal rate of return (IRR):

The interest rate that gives a net present value of zero.

Basic operations

Refer to page 19 for basic variable operations.

1. Press (ON/C) to clear the display.
 - Make sure the calculator is in NORMAL mode.

2. Enter cash flow data.
 - Refer to page 37 for instructions on entering cash flow data.
3. Press **[2ndF]** **[CASH]** to begin discounted cash flow analysis.
 - If a previously entered cash flow value is displayed, press **[ON/C]** to exit and then press **[2ndF]** **[CASH]**.
4. To find NPV or IRR, do the following:

To obtain NPV:

Enter the interest rate (discounted rate) into RATE(I/Y) and press **[ENT]**. Move to NET_PV and calculate by pressing **[▼]** and **[COMP]**.

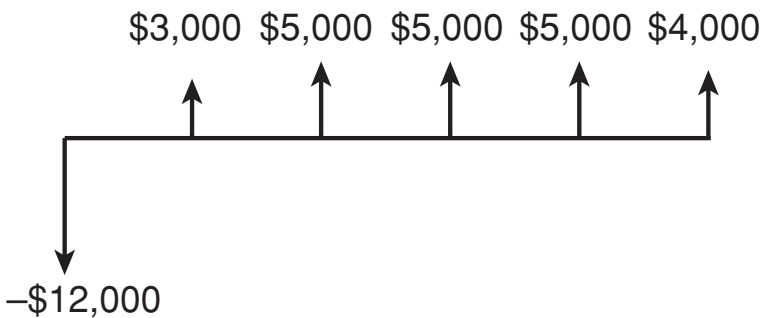
To obtain IRR:

Press **[COMP]** to calculate IRR (RATE(I/Y)).

Note: If “Error 5” is displayed in step 4, or if you want to find another IRR, enter an estimated value into RATE(I/Y) and calculate again in step 4.

Example 1 *Solving for unequal cash flows*

Your company pays \$12,000 for a new network system, and expects the following annual cash flows: \$3,000 for the first year, \$5,000 for the second to fourth years, and \$4,000 for the fifth year. At what IRR does the net present value of the cash flows equal zero?



1. Enter cash flow data.

Procedure	Key operation	Display
Bring up the initial display in NORMAL mode.	[ON/C] *1	0.00

Procedure	Key operation	Display
Enter cash flow data.	$\pm/\text{--}$ 12000 (DATA)	DATA SET:CF 0.00
	3000 (DATA)	DATA SET:CF 1.00
	5000 (x,y) 3 (DATA)	DATA SET:CF 2.00
	4000 (DATA)	DATA SET:CF 3.00
Return to the initial display in NORMAL mode.	(ON/C)	0.00

*1 If there is cash flow data stored, press (CFi) (2ndF) (CA) to clear it.

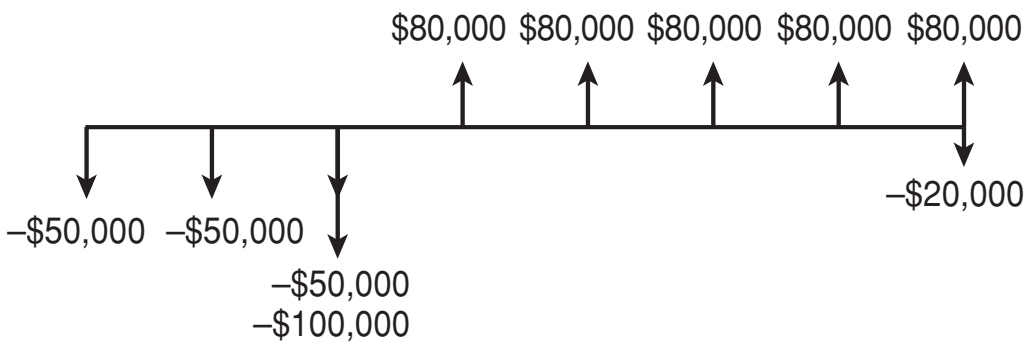
2. Calculate IRR.

Procedure	Key operation	Display
Select discounted cash flow analysis, and set all the variables to default values.	(2ndF) (CASH) (2ndF) (CA)	,RATE(I/Y)= 0.00
Calculate IRR (RATE (I/Y)).	(COMP)	,RATE(I/Y)= 23.14

Answer: The net present value of the cash flows equals zero at an IRR of 23.14%.

Example 2 *Calculating the present value of variable cash flows*

Your company has prepared forecasts for the development costs and operating profits of the next generation of your product. Development costs for each of the next three years (Years 1 to 3) will be \$50,000. Manufacturing equipment costing \$100,000 will be purchased at the end of Year 3. Annual profits for the five-year product life (from Year 4 to Year 8) are projected to be \$80,000. The salvage value of the manufacturing equipment at the end of Year 8 is \$20,000. Given a 12% discount rate, should your company proceed with the product development?



1. Enter the cash flow data.

Procedure	Key operation	Display
Bring up the initial display in NORMAL mode.	ON/C *1	0.00
Enter cash flow data.	+/- 50000 (x,y) 2 DATA	DATA SET:CF 0.00
	+/- 150000 DATA	DATA SET:CF 1.00
	80000 (x,y) 4 DATA	DATA SET:CF 2.00
	60000 DATA	DATA SET:CF 3.00
Return to the initial display in NORMAL mode.	ON/C	0.00

*1 If there is cash flow data stored, press **CFi** **2ndF** **CA** to clear it.

2. Calculate NPV.

Procedure	Key operation	Display
Select discounted cash flow analysis, and set all the variables to default values.	2ndF CASH 2ndF CA	\dot{r} RATE(I/Y)= 0.00
Enter the discount rate.	12 ENT	\dot{r} RATE(I/Y)= 12.00
Calculate NPV (NET_PV).	▼ COMP	\dot{r} NET_PV= 6627.52

Answer: As NPV = 6,627.52 > 0, the product can be developed.

Bond Calculations

Using bond calculations, you can obtain bond prices, yields to maturity, and accrued interest.

Variables used in bond calculations

Variable	Description	Default value
COUPON (PMT)	Annual coupon rate (%)	0
REDEMPT (FV)	Redemption value ^{*1}	0
M-D-Y 1 ^{*2}	Settlement date (date of bond purchase)	1-1-2001
M-D-Y 2 ^{*2}	Redemption date	1-1-2001
CPN/Y (N) ^{*3}	Number of coupons per year	1
YIELD (I/Y)	Yield to maturity (%)	0
PRICE (PV)	Bond price ^{*4}	0
ACCU INT	Accrued interest	—

^{*1} Redemption value of the security per \$100 par value.

^{*2} You can change the date format to D-M-Y (see page 10).

^{*3} You can only enter “1” or “2” — “1” for annual coupons and “2” for semi-annual coupons.

^{*4} Per \$100 par value.

Note: Bonds are associated with payment methods known as coupons. A coupon is like an “interest-only payment,” and it is based on the future value of the bond. COUPON is a percentage of the bond par value, usually annually, by the owner of the bond.

For bonds that have annual coupons, the owner receives one payment of the coupon amount each year. Some bonds have semi-annual coupons. For these, each year’s coupon amount is paid in two equal payments six months apart. The date on which a coupon payment is made is called the “coupon date.” The bond maturity date is usually the last coupon date.

Setting the day-count method

You can toggle between the actual calendar (365 days plus leap years) and a 360-day calendar (12 months of 30 days each) using 2ndF 360/ACT. The actual calendar is set by default (**360** is not displayed). The calendar range is from January 1, 1901 to December 31, 2099.

Basic operations

Refer to page 19 for basic variable operations.

1. Press **(ON/C)** to clear the display.
 - Make sure the calculator is in NORMAL mode.
2. Select bond calculations by pressing **(BOND)**.
 - To end bond calculations, press **(ON/C)**.
 - If you press **(ON/C)** during entry, any entered values will be cleared.
3. Change the day-count setting, if necessary, by pressing **(2ndF)** **(360/ACT)**.
4. Enter the coupon rate (%) into COUPON (PMT) by entering the value and pressing **(ENT)**.
5. Enter the redemption value into REDEMPT (FV) by pressing **(▼)**, entering the value, and pressing **(ENT)**.
6. Enter the date of bond purchase into M-D-Y 1 (or D-M-Y 1) by pressing **(▼)**, entering the date, and pressing **(ENT)**.
 - For date entry, refer to page 47, "Entering dates".
7. Enter the redemption date into M-D-Y 2 (or D-M-Y 2) by pressing **(▼)**, entering the date, and pressing **(ENT)**.
 - For date entry, refer to page 47, "Entering dates".
8. Enter the number of coupon payments per year into CPN/Y (N) by pressing **(▼)**, entering the value, and pressing **(ENT)**.
9. To find bond price or yield to maturity, do the following:



The image shows a calculator display with the text "COUPON (PMT) =" and "0.00". Above "COUPON" is "ENT" and above "PMT" is "TAB DEG".

To obtain bond price (PRICE (PV)):

Enter annual yield (%) into YIELD (I/Y) by pressing **(▼)**, entering the value, and pressing **(ENT)**. Move to PRICE (PV) and calculate by pressing **(▼)** and **(COMP)**. Display the accrued interest (ACCU INT) by pressing **(▼)**. The accrued interest is calculated automatically.

To obtain yield to maturity (YIELD (I/Y)):

Move to PRICE (PV) and enter the bond price by pressing **(▼)** **(▼)**, entering the value, and pressing **(ENT)**. Move to annual yield, YIELD (I/Y) and calculate by pressing **(▲)** **(COMP)**. Display the accrued interest (ACCU INT) by pressing **(▼)** **(▼)**. The accrued interest is calculated automatically.

Example *Calculating bond price and accrued interest*

A \$100, 20-year, 6.5% coupon bond is issued to mature on August 15, 2023. It was sold on November 3, 2006 to yield the purchaser 7.2% compounded semiannually until maturity. At what price did the bond sell? Also calculate the accrued coupon interest.

Procedure	Key operation	Display
Bring up the initial display in NORMAL mode.	ON/C	0.00
Select bond calculations.	BOND	↓ COUPON (PMT) = 0.00
Make sure the actual calendar is set (360 is not displayed).		
Enter the coupon rate (%).	6 . 5 ENT	↓ COUPON (PMT) = 6.50
Enter the redemption value.	▼ 100 ENT	↓ REDEMP (FV) = 100.00
Enter the settlement date.	▼ 11032006 ENT	↓ M-D-Y 1 = [FR] 11- 3-2006
Enter the redemption date.	▼ 08152023 ENT	↓ M-D-Y 2 = [TU] 8-15-2023
Enter the number of coupon payments per year.	▼ 2 ENT	↓ CPN/Y (N) = 2.00
Enter the annual yield (%).	▼ 7 . 2 ENT	↓ YIELD (I/Y) = 7.20
Calculate bond price.	▼ COMP	↓ PRICE (PV) = 93.23
Calculate the accrued interest.	▼	↓ ACCU INT = 1.41
Calculate bond price including accrued interest.	ON/C ALPHA PV + ALPHA ANS =	PV + ANS = 94.64

Answer: The bond sold at \$93.23 and the accrued coupon interest was \$1.41 (the bond price including accrued interest would be \$94.64).

The asking price on the above bond is \$92.50. What will your yield be?

Procedure	Key operation	Display
Change the bond price to \$92.50.	BOND ▼ ▼ ▼ ▼ ▼ ▼ 92.5 ENT	PRICE(PV)= 92.50
Calculate the yield.	▲ COMP	YIELD(I/Y)= 7.28

Answer: The yield will be 7.28%.

Entering dates

Refer to the following notes for date entry.

- Enter using US date format (MM-DD-YYYY) or EU date format (DD-MM-YYYY). Refer to the previous example and the following explanation.

Month entry

Enter two digits. From 2 to 9, the preceding zero may be omitted.

Day entry

Enter two digits. From 4 to 9, the preceding zero may be omitted.

Year entry

Enter four digits. From 2010 to 2099, the zero following the first “2” may be omitted. From 1901 to 1989, the “9” following the first “1” may be omitted.

- After entry, the date will be stored and the abbreviated day of the week will be displayed.
 - [SU]: Sunday, [MO]: Monday, [TU]: Tuesday, [WE]: Wednesday, [TH]: Thursday, [FR]: Friday, [SA]: Saturday.
- The default value for dates is: January 1, 2001 (1-1-2001).
- The effective range of dates is: January 1, 1901 to December 31, 2099.
- If an inappropriate date is entered (e.g., February 31), an error message (Error 7) will appear immediately after pressing **ENT**. In this case, follow either of the following procedures:
 - Press **ON/C** to return to the display before the entry, enter the appropriate date, and press **ENT**.
 - Press **◀**/**▶** to go back to the display that was shown before you pressed **ENT**. Press **ON/C** or **DEL**, enter the appropriate date, and press **ENT** again.
- If you wish to correct numbers during entry, use **DEL** as a backspace key.

Depreciation Calculations

Using depreciation calculations, you can obtain depreciation base values using three types of calculation methods: the straight-line method, the sum-of-the-years' digits method, and the declining balance method.

Variables used in depreciation calculations

Variable	Description	Default value
DB (I/Y)* ¹	Interest per year	0
LIFE (N)	Years of depreciation	1
START MONTH	Starting month	1
COST (PV)	Cost of asset	0
SALVAGE (FV)	Salvage value	0
YEAR	Year for calculating depreciation value	1
DEPRECIATE	Depreciation value of above year	—
RBV	Remaining book value	—
RDV	Remaining depreciation value	—

*¹ DB (I/Y) appears only when you select DB (declining balance method) for the depreciation method.

Setting the depreciation method

- Select the depreciation method in the SET UP menu. It is initially set to SL.

Key operation	Description
SET UP <input type="text" value="2"/> <input type="text" value="0"/>	SL (Straight-line method)
SET UP <input type="text" value="2"/> <input type="text" value="1"/>	SYD (Sum-of-the-years' digits method)
SET UP <input type="text" value="2"/> <input type="text" value="2"/>	DB (Declining balance method)

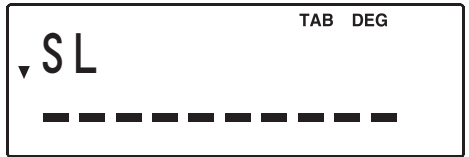
Basic operations

Refer to page 19 for basic variable operations.

1. Press to clear the display.
 - Make sure the calculator is in NORMAL mode.

2. Select the depreciation method (see page 48).

3. Select depreciation calculations by pressing **DEPR**.



- When using the declining balance method, DB (I/Y) appears. Enter the number and press **ENT**.

- To end depreciation calculations, press **ON/C**. If you press **ON/C** during entry, any entered values will be cleared.

4. Enter the number of years of depreciation into LIFE (N) by pressing **▼**, entering the value, and pressing **ENT**.

- When using the straight-line method, the value should be a positive real number, while for the SYD or DB methods, it should be a positive integer.

5. Enter the starting month into START MONTH by pressing **▼**, entering the value, and pressing **ENT**.

- You can enter values between 1 and 13.

- Generally, it is not necessary to enter a decimal value.

However, if you wish to enter, for example, the middle of July, enter 7.5; where the decimal is equal to the number value of the given date divided by the total number of days in the month.

6. Enter the cost of asset into COST (PV) by pressing **▼**, entering the value, and pressing **ENT**.

7. Enter the salvage value into SALVAGE (FV) by pressing **▼**, entering the value, and pressing **ENT**.

8. Enter the year for calculating depreciation value into YEAR by pressing **▼**, entering the value, and pressing **ENT**.

- The year for calculating depreciation value is initially 1.

Pressing **COMP** increments this number by 1.

- This value must be a positive integer.

9. Calculate depreciation for the year by pressing **▼**.

10. Calculate the remaining book value by pressing **▼**.

11. Calculate the remaining depreciation by pressing **▼**.

12. To calculate depreciation value for another year, press **▲** three times to go back to YEAR, enter a value for the new year, and recalculate.

Example *Calculating straight-line depreciation*

In April, your company begins depreciation of a commercial building with a 30-year life and no salvage value. The building costs \$1,500,000. Calculate the depreciation amount, remaining book value and remaining depreciable value for the third year using the straight-line depreciation method.

Procedure	Key operation	Display
Bring up the initial display in NORMAL mode, and select the straight-line depreciation method.	ON/C SET UP 2 0	0.00
Select depreciation calculations.	DEPR	SL -----
Enter the number of years of depreciation.	▼ 30 ENT	↓ LIFE(N)= 30.00
Enter the starting month.	▼ 4 ENT	↓ START MONTH= 4.00
Enter the cost of asset.	▼ 1500000 ENT	↓ COST(PV)= 1500000.00
Enter the salvage value.	▼ 0 ENT	↓ SALVAGE(FV)= 0.00
Enter the year for calculating depreciation value.	▼ 3 ENT	↓ YEAR= 3.00
Calculate depreciation for the year.	▼	↓ DEPRECIATE= 50000.00
Calculate the remaining book value.	▼	↓ RBV= 1362500.00
Calculate the remaining depreciation value.	▼	↓ RDV= 1362500.00

Answer: At the third year, the depreciation amount is \$50,000, the remaining book value is \$1,362,500, and the remaining depreciable value is \$1,362,500.

Conversion between APR and EFF

Interest rates can be converted between APR (annual, or nominal percentage rate) and EFF (effective interest rate).

- The APR is an investment's annual rate of interest when compounding happens only once a year. The interest rate printed on a bond is an example of an APR.
- The EFF is an investment's annual rate of interest when compounding happens more often than once a year. It reflects the actual amount of return for a given nominal rate. For example, if your investment compounds monthly, then the stated nominal percentage rate becomes a monthly rate, and the EFF reflects your actual annual rate of return.

Basic operations

1. Press **ON/C** to clear the display. Make sure the calculator is in NORMAL mode.
2. Enter the calculation data in the following format:
 - **To change APR to EFF:**
 Number of compounding periods per year $\left(\overset{\circ}{(x,y)}\right)$ Nominal percentage rate **2ndF** **→EFF**
 - **To change EFF to APR:**
 Number of compounding periods per year $\left(\overset{\circ}{(x,y)}\right)$ Effective interest rate **2ndF** **→APR**

Example **▶** Converting between APR and EFF

Procedure	Key operation	Display
Calculate the effective interest rate for twelve compounding periods with an 18% APR.	ON/C 12 $\left(\overset{\circ}{(x,y)}\right)$ 18 2ndF →EFF	12,18→EFF 19.56
Convert this rate back to the original APR.	12 $\left(\overset{\circ}{(x,y)}\right)$ 19.56 2ndF →APR	12,19.56→APR 18.00

Day and Date Calculations

Using day and date calculations, you can find dates and the numbers of days between dates.

Variables used in day and date calculations

Variable	Description	Default value
M-D-Y 1*1	The first date	1-1-2001
M-D-Y 2*1	The last date	1-1-2001
DAYS	Number of days	0

*1 You can change the date format to D-M-Y (see page 10).

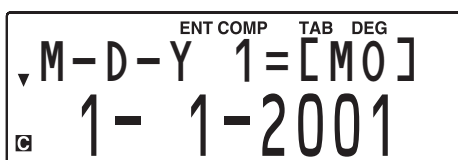
Setting the day-count method

You can toggle between the actual calendar (365 days plus leap years) and a 360-day calendar (12 months of 30 days each) using $\boxed{2\text{ndF}} \boxed{360/\text{ACT}}$. The actual calendar is set by default (**360** is not displayed). The calendar range is from January 1, 1901 to December 31, 2099.

Basic operations

Refer to page 19 for basic variable operations.

1. Press $\boxed{\text{ON/C}}$ to clear the display.
 - Make sure the calculator is in NORMAL mode.
2. Select day and date calculations by pressing $\boxed{\text{DATE}}$.
 - To end day and date calculations, press $\boxed{\text{ON/C}}$. If you press $\boxed{\text{ON/C}}$ during entry, any entered values will be cleared.
3. Change the day-count method, using $\boxed{2\text{ndF}} \boxed{360/\text{ACT}}$, if necessary.
4. Enter the values of any two known variables: the first date, the last date, or the number of days.
 - For date entry, refer to page 47, "Entering dates".
5. Move to the variable you wish to calculate, using the $\boxed{\blacktriangle}$ and $\boxed{\blacktriangledown}$ keys, and press $\boxed{\text{COMP}}$ to calculate.
 - If the calculator is set to 360-day calendar mode (**360** is displayed), it is not possible to obtain either the first or last dates, only the number of days.



Example 1 **Calculating number of days**

Calculate the number of days between December 25, 2008 and August 10, 2009 (using US date format and the actual calendar).

Procedure	Key operation	Display
Bring up the initial display in NORMAL mode.	<input type="button" value="ON/C"/>	0.00
Select day and date calculations, and set all the variables to default values.	<input type="button" value="DATE"/> <input type="button" value="2ndF"/> <input type="button" value="CA"/>	√M-D-Y 1=[MO] 1- 1-2001
Make sure the actual calendar is set (360 is not displayed).		
Enter the first date.	12252008 <input type="button" value="ENT"/>	√M-D-Y 1=[TH] 12-25-2008
Enter the last date.	<input type="button" value="▼"/> 8102009 <input type="button" value="ENT"/>	√M-D-Y 2=[MO] 8-10-2009
Move to DAYS and calculate.	<input type="button" value="▼"/> <input type="button" value="COMP"/>	√DAYS= 228.00

Answer: 228 days

- If the 360-day calendar is selected, the answer will be 225 days.

Example 2 **Finding a date**

Find the date 100 days after November 13, 2010 (using US date format and the actual calendar).

Procedure	Key operation	Display
Bring up the initial display in NORMAL mode.	<input type="button" value="ON/C"/>	0.00
Select day and date calculations, and set all the variables to default values.	<input type="button" value="DATE"/> <input type="button" value="2ndF"/> <input type="button" value="CA"/>	√M-D-Y 1=[MO] 1- 1-2001
Make sure the actual calendar is set (360 is not displayed).		
Enter the first date.	1113210 <input type="button" value="ENT"/>	√M-D-Y 1=[SA] 11-13-2010
Move to DAYS and enter the number of days.	<input type="button" value="▼"/> <input type="button" value="▼"/> 100 <input type="button" value="ENT"/>	√DAYS= 100.00

Procedure	Key operation	Display
Move to the last date and calculate.		M-D-Y 2=[MO] 2-21-2011

Answer: The last date is February 21, 2011.

Percent Change/Compound Interest Calculations

Using percent change/compound interest calculations, you can determine the values of percentage rates of change (increase or decrease) or interest rates compounding periodically.

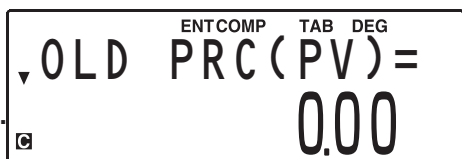
Variables used in percent change/compound interest calculations

Variable	Description	Default value
OLD PRC (PV)	Old price (old value)	0
NEW PRC (FV)	New price (new value)	0
% (I/Y)	Percent change	0
PERIODS (N)	Number of compounding periods	1

Basic operations

Refer to page 19 for basic variable operations.

- Press to clear the display.
 - Make sure the calculator is in NORMAL mode.
- Select percent change/compound interest calculations by pressing .
 - To end percent change/compound interest calculations, press .
 - If you press during entry, any entered values will be cleared.
- Enter the values of any three known variables: old price, new price, percent change, or number of compounding periods.
- Move to the variable you wish to calculate, using the and keys, and press to calculate.



Example 1 *Calculating percent change*

Sales in a company were \$75,000 during the first year of operation. The second year's sales were \$116,000. What percentage greater were the second year's sales than first year's sales? In this calculation, the number of compound periods is set to 1 (default).

Procedure	Key operation	Display
Bring up the initial display in NORMAL mode.	<input type="button" value="ON/C"/>	0.00
Select percent change/compound interest calculations, and set all the variables to default values.	<input type="button" value="2ndF"/> <input type="button" value="Δ%"/> <input type="button" value="2ndF"/> <input type="button" value="CA"/>	√OLD PRC(PV)= 0.00
Enter the old value.	75000 <input type="button" value="ENT"/>	√OLD PRC(PV)= 75000.00
Enter the new value.	<input type="button" value="▼"/> 116000 <input type="button" value="ENT"/>	√NEW PRC(FV)= 116000.00
Calculate the percent change.	<input type="button" value="▼"/> <input type="button" value="COMP"/>	√%(I/Y)= 54.67

Answer: The second year's sales increased by 54.67% over the first year's sales.

Example 2 *Calculating compound interest rate*

You opened an account compounding annually and deposited \$8,000 eighteen years ago. You currently have \$9,800. What is the compound interest rate?

Procedure	Key operation	Display
Bring up the initial display in NORMAL mode.	<input type="button" value="ON/C"/>	0.00
Select percent change/compound interest calculations, and set all the variables to default values.	<input type="button" value="2ndF"/> <input type="button" value="Δ%"/> <input type="button" value="2ndF"/> <input type="button" value="CA"/>	√OLD PRC(PV)= 0.00
Enter the old value.	8000 <input type="button" value="ENT"/>	√OLD PRC(PV)= 8000.00

Procedure	Key operation	Display
Enter the new value.	\blacktriangledown 9800 ENT	\downarrow NEW PRC(FV)= 9800.00
Set the number of compound periods to 18.	\blacktriangledown \blacktriangledown 18 ENT	\downarrow PERIODS(N)= 18.00
Calculate the compound interest rate.	\blacktriangle COMP	\downarrow %(I/Y)= 1.13

Answer: The compound interest rate is 1.13%.

Cost/Sell/Margin/Markup Calculations

Using cost/sell/margin/markup calculations, you can determine costs, selling prices, margins and markup.

Variables used in cost/sell/margin/markup calculations

Variable	Description	Default value
COST	Cost	0
SELL	Selling price	0
MARGIN	Profit margin (%) *1	0
MARK UP	Markup (%) *2	—

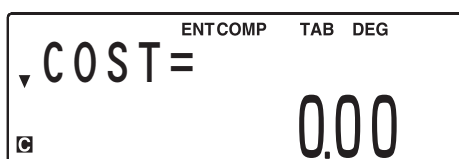
*1 Profit margin (%) is calculated based on selling price.

*2 Markup (%) is calculated based on cost.

Basic operations

Refer to page 19 for basic variable operations.

- Press ON/C to clear the display.
 - Make sure the calculator is in NORMAL mode.
- Select cost/sell/margin/markup calculations by pressing COST .
 - To end cost/sell/margin/markup calculations, press ON/C .
 - If you press ON/C during entry, any entered values will be cleared.



3. Enter the values of any two known variables as follows:

Unknown variable	Known variables
COST	SELL, and MARGIN or MARK UP *1
SELL	COST, and MARGIN or MARK UP*1
MARGIN	COST and SELL
MARK UP	COST and SELL

*1 Because only either MARGIN or MARK UP is used in any cost/sell/margin/markup calculation, the unused variable is given a value of “-----”. Initially, MARK UP is set to “-----”. If you enter a value for MARK UP, MARGIN is set to “-----”, and vice versa.

4. Move to the variable you wish to calculate, using the \blacktriangle and \blacktriangledown keys, and press COMP to calculate.

Example *Determining selling price*

In a furniture business, it is desirable to realize a 95% markup from cost to retail price for each item. A certain sofa costs \$455.60. What should its selling price be?

Procedure	Key operations	Display
Bring up the initial display in NORMAL mode.	ON/C	0.00
Select cost/sell/margin markup calculations, and set all the variables to default values.	COST 2ndF CA	\downarrow COST = 0.00
Enter cost.	455.6 ENT	\downarrow COST = 455.60
Enter markup rate.	\blacktriangledown \blacktriangledown \blacktriangledown 95 ENT	\downarrow MARK UP = 95.00
Calculate selling price.	\blacktriangle \blacktriangle COMP	\downarrow SELL = 888.42

Answer: The selling price should be \$888.42.

Breakeven Calculations

Using breakeven calculations, you can calculate fixed cost, variable cost per unit, unit price, profit and quantity.

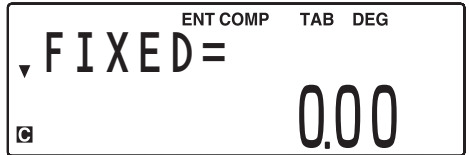
Variables used in breakeven calculations

Variable	Description	Default value
FIXED	Fixed cost	0
VARIABLE	Variable cost per unit	0
PRICE	Unit price	0
PROFIT	Profit	0
QUANTITY	Quantity	0

Basic operations

Refer to page 19 for basic variable operations.

- Press **ON/C** to clear the display.
 - Make sure the calculator is in NORMAL mode.
- Select breakeven calculations by pressing **BRKV**.
 - To end breakeven calculations, press **ON/C**.
 - If you press **ON/C** during entry, any entered values will be cleared.
- Enter the values of any four known variables.
- Move to the variable you wish to calculate, using the **▲** and **▼** keys, and press **COMP** to calculate.



Example Calculating the breakeven point

Your company has developed a new product and plans to sell it at a price of \$120 per unit. The variable cost per unit is \$75.80 and the fixed costs total \$15,000. What is the breakeven point for this product?

Procedure	Key operation	Display
Bring up the initial display in NORMAL mode.	ON/C	0.00

Procedure	Key operation	Display
Select breakeven calculations, and set all the variables to default values.	<input type="button" value="BRKV"/> <input type="button" value="2ndF"/> <input type="button" value="CA"/>	·FIXED= 0.00
Enter fixed cost.	15000 <input type="button" value="ENT"/>	·FIXED= 15'000.00
Enter variable cost per unit.	<input type="button" value="▼"/> 75.80 <input type="button" value="ENT"/>	·VARIABLE= 75.80
Enter unit price.	<input type="button" value="▼"/> 120 <input type="button" value="ENT"/>	·PRICE= 120.00
Leave profit as is.	<input type="button" value="▼"/>	·PROFIT= 0.00
Calculate quantity.	<input type="button" value="▼"/> <input type="button" value="COMP"/>	·QUANTITY= 339.37

Answer: The breakeven point of this product is 339.37 units.

Chapter 4

Scientific Functions

This calculator has a variety of functions. Press **(MODE)** **(0)** to select NORMAL mode and perform scientific calculations.

- For basic calculations, see page 11.
- When a listed financial variable is displayed, you can enter the result of a scientific calculation into it by pressing **(ENT)** immediately after completing the calculation.
- Scientific calculations can also be performed in STAT mode.
- The examples in this chapter are all performed under the SET UP menu's default settings. Before starting calculation, press **(ON/C)** to clear the display.

Constant Calculations

Example	Key operation	Result
$34 + 57 =$	(ON/C) 34 (+) 57 (=)	91.00
$45 + 57 =$	45 (=)	102.00
$68 \times 25 =$	68 (\times) 25 (=)	1700.00
$68 \times 40 =$	40 (=)	2720.00

- In constant calculations, the addend becomes a constant. Subtraction and division behave the same way. For multiplication, the multiplicand becomes a constant.
- In constant calculations, constants will be displayed as K.

Chain Calculations

A calculation result (ANS memory) can be used in a subsequent calculation. However, it cannot be recalled after entering multiple instructions.

Example	Key operation	Result
$6 + 4 = \text{ANS}$ $\text{ANS} + 5 =$	(ON/C) 6 (+) 4 (=) (+) 5 (=)	10.00 15.00
$8 \times 2 = \text{ANS}$ $\text{ANS}^2 =$	8 (\times) 2 (=) (2ndF) (x²) (=)	16.00 256.00
$44 + 37 = \text{ANS}$ $\sqrt{\text{ANS}} =$	44 (+) 37 (=) (2ndF) (\sqrt{\quad}) (=)	81.00 9.00

Scientific Calculations

Example	Key operation	Display
$\sin 60 [^\circ] =$	ON/C 2ndF sin 60 =	$\sin 60 =$ DEG 0.87
$\cos \frac{\pi}{4} [\text{rad}] =$	SET UP 1 1 2ndF cos (2ndF π \div 4) =	$\cos(\pi \div 4) =$ RAD 0.71
$\tan^{-1} 1 [\text{g}] =$	SET UP 1 2 2ndF tan ⁻¹ 1 =	Tan ⁻¹ 1 = GRAD 50.00
$\tan^{-1} 1 [^\circ] =$	SET UP 1 0 2ndF tan ⁻¹ 1 =	Tan ⁻¹ 1 = DEG 45.00

• The range of the results of inverse trigonometric functions

	$\theta = \sin^{-1}x, \theta = \tan^{-1}x$	$\theta = \cos^{-1}x$
DEG	$-90 \leq \theta \leq 90$	$0 \leq \theta \leq 180$
RAD	$-\frac{\pi}{2} \leq \theta \leq \frac{\pi}{2}$	$0 \leq \theta \leq \pi$
GRAD	$-100 \leq \theta \leq 100$	$0 \leq \theta \leq 200$

Example	Key operation	Result
$(\cosh 1.5 + \sinh 1.5)^2 =$	ON/C (2ndF hyp cos 1.5 + 2ndF hyp sin 1.5) 2ndF x^2 =	20.09
$\tanh^{-1} \frac{5}{7} =$	2ndF hyp tan ⁻¹ (5 \div 7) =	0.90
$\log 50 =$	2ndF log 50 =	1.70
$\ln 20 =$	2ndF ln 20 =	3.00
$10^{1.7} =$	2ndF 10^x 1.7 =	50.12
$e^3 =$	2ndF e^x 3 =	20.09
$\frac{1}{6} + \frac{1}{7} =$	6 2ndF $1/x$ + 7 2ndF $1/x$ =	0.31
$8^{-2} - 3^4 \times 5^2 =$	8 2ndF y^x +/- 2 - 3 2ndF y^x 4 \times 5 2ndF x^2 =	-2024.98
$(12^3)^{\frac{1}{4}} =$	12 2ndF y^x 3 2ndF y^x 4 2ndF $1/x$ =	6.45
$\sqrt{49} - {}^4\sqrt{81} =$	2ndF $\sqrt{\quad}$ 49 - 4 2ndF $\sqrt[4]{\quad}$ 81 =	4.00

Example	Key operation	Result
$4! =$	4 (2ndF) (n!) (=)	24.00
${}_{10}P_3 =$	10 (2ndF) (nPr) 3 (=)	720.00
${}_5C_2 =$	5 (2ndF) (nCr) 2 (=)	10.00
What is 25% of 500?	500 (×) 25 (2ndF) (%)	125.00
What percentage of 400 is 120?	120 (÷) 400 (2ndF) (%)	30.00
$500 + (500 \times 25\%) =$	500 (+) 25 (2ndF) (%)	625.00
$400 - (400 \times 30\%) =$	400 (-) 30 (2ndF) (%)	280.00

Random Functions

This calculator has four kinds of random functions (the 2nd function of the (—) key).

Random numbers

A pseudo-random number, consisting of three significant digits from zero up to 0.999, can be generated by pressing (2ndF) (RANDOM) (0) (=). To generate further random numbers in succession, press (=) for each number. Press (ON/C) to exit.

- To display numbers with three significant digits, set the display notation settings to “floating point”.

Random dice

To simulate a die roll, a random integer between 1 and 6 can be generated by pressing (2ndF) (RANDOM) (1) (=). To generate further random numbers in succession, press (=) for each number. Press (ON/C) to exit.

Random coin

To simulate a coin flip, 0 (heads) or 1 (tails) can be randomly generated by pressing (2ndF) (RANDOM) (2) (=). To generate further random numbers in succession, press (=) for each number. Press (ON/C) to exit.

Random integer

An integer between 0 and 99 can be generated randomly by pressing $\boxed{2\text{ndF}} \boxed{\text{RANDOM}} \boxed{3} \boxed{=}$. To generate further random numbers in succession, press $\boxed{=}$ for each number. Press $\boxed{\text{ON/C}}$ to exit.

Example	Key operation	Display
Pick a random number between zero and 9.99.	$\boxed{\text{ON/C}} \boxed{2\text{ndF}} \boxed{\text{RANDOM}} \boxed{0}$ $\boxed{\times} \boxed{10} \boxed{=}$	RANDOMx10= 5.32

- The result will not be the same each time this operation is performed.

Modify Function

Calculation results are internally obtained in scientific notation with a mantissa of up to 14 digits. However, because calculation results are displayed in the form designated by the display notation and the number of decimal places indicated, a displayed calculation result may differ from that held internally. By using the modify function (the 2nd function of the $\boxed{+}$ key), the internal value is converted to match that of the display, so that the displayed value can be used without change in subsequent operations.

Example	Key operation	Result
$5 \div 9 = \text{ANS}$	$\boxed{\text{ON/C}} \boxed{5} \boxed{\div} \boxed{9} \boxed{=}$	0.56
$\text{ANS} \times 9 =$	$\boxed{\times} \boxed{9} \boxed{=}$ *1	5.00
[FIX, TAB = 2]	$\boxed{5} \boxed{\div} \boxed{9} \boxed{=}$	0.56
	$\boxed{2\text{ndF}} \boxed{\text{MDF}} \boxed{\times} \boxed{9} \boxed{=}$ *2	5.04

*1 $5.555555555555 \times 10^{-1} \times 9$

*2 0.56×9

Chapter 5

Statistical Functions

Statistical calculations can be performed in STAT mode. The **STAT** symbol will be visible if you are in STAT mode.

There are seven sub-modes within STAT mode, corresponding to each of the functions below:

Key operation	Sub-mode	Display
MODE 1 0	SD: Single-variable statistics	Stat 0
MODE 1 1	LINE: Linear regression	Stat 1
MODE 1 2	QUAD: Quadratic regression	Stat 2
MODE 1 3	EXP: Exponential regression	Stat 3
MODE 1 4	LOG: Logarithmic regression	Stat 4
MODE 1 5	PWR: Power regression	Stat 5
MODE 1 6	INV: Inverse regression	Stat 6

Entering statistical data

Before you can perform statistical calculations, you will need to enter your data. In STAT mode, use (x,y) and **DATA** (the **ENT** key) to enter the following:

For a single-variable data set:

Value **DATA**

Value (x,y) frequency **DATA** (To enter multiples of the same value)

For a two-variable data set:

x value (x,y) y value **DATA**

x value (x,y) y value (x,y) frequency **DATA** (To enter multiples of the same x and y values)

Note: Before entering data, clear any previously entered data from memory by doing either of the following:

- Press **2ndF** **CA** in STAT mode.
- Switch sub-modes within STAT mode.

- You can enter a total of up to 100 statistical and/or cash flow data items. For single-variable data, a data set without a frequency is counted as one data item, and a data set with an assigned frequency is counted as two data items. For two-variable data, a data set without a frequency is counted as two data items, while a data set with an assigned frequency is counted as three data items.
- If you wish to correct a value before pressing **[DATA]**, press **[DEL]** or **[ON/C]** to delete the entry, then enter the correct value.

Example *Entering statistical data*

Enter the data in the table to the right using the “Stat 0” sub-mode.

DATA
30
40
40
50

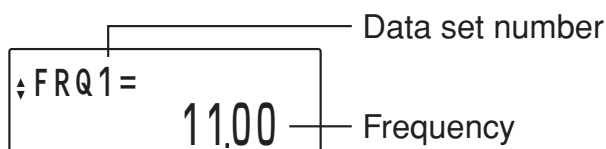
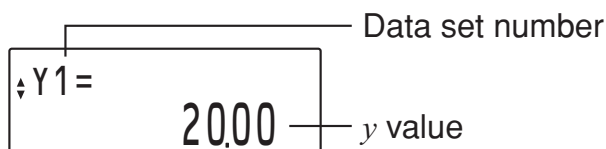
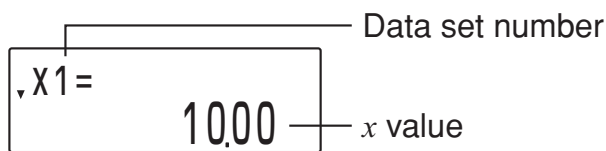
Procedure	Key operation	Display
Enter the “Stat 0” sub-mode.	[ON/C] [MODE] [1] [0]	Stat 0 0.00
Enter statistical data. *1	30 [DATA]	DATA SET= 1.00*2
	40 [(x,y)] 2 [DATA]	DATA SET= 2.00
	50 [DATA]	DATA SET= 3.00
Return to the “Stat 0” display.	[ON/C]	Stat 0 0.00

*1 If there is data stored in memory, press **[2ndF]** **[CA]** (within STAT mode) to clear it.

*2 The format of the data set (the sample and frequency values) number, which is initially set to “1.00”, is dependent on calculator notation settings.

Confirming and editing data

- Use \uparrow / \downarrow to display a data item from a previously entered data set.



- Press $2^{nd}F$ \uparrow or $2^{nd}F$ \downarrow to jump to the first or last data item, respectively.
- Each data item is displayed in the form: " $Xn = (x \text{ value})$ ", " $Yn = (y \text{ value})$ ", or " $FRQn = (\text{frequency})$ ", where " n " is the data set number.

Editing data

- Display the data item you wish to modify by using \uparrow / \downarrow , enter a new value and press $DATA$.

Deleting data

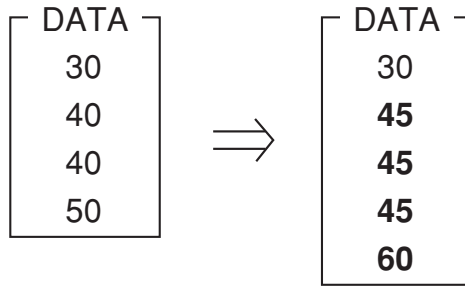
- Display the data item to be deleted by using \uparrow / \downarrow , and press $2^{nd}F$ $CLR-D$.
- If a value/frequency is deleted, the corresponding frequency/value is also deleted.
- If you wish to delete all data, press $2^{nd}F$ CA .

Inserting data

Using the \uparrow and \downarrow keys, specify the correct place to insert your new data by displaying the value that is to come directly after, and then press $2^{nd}F$ $INS-D$. A new data set with a value of zero and a frequency of one will be inserted. Modify the new data set to include your data.

Example **Editing statistical data**

Change the previously entered data from page 65 as follows:



Procedure	Key operation	Display
Display the statistical data.	<input type="button" value="▼"/>	$\bar{x}1 =$ 30.00
Change the "40, 2" data set to "45, 3".	<input type="button" value="▼"/> <input type="button" value="▼"/> 4 5 <input type="button" value="DATA"/> <input type="button" value="▼"/> 3 <input type="button" value="DATA"/>	\downarrow FRQ2= 3.00
Delete "50".	<input type="button" value="▼"/> <input type="button" value="2ndF"/> <input type="button" value="CLR-D"/>	Stat 0 0.00
Add "60".	6 0 <input type="button" value="DATA"/>	DATA SET= 3.00

Statistical Calculations and Variables

The following results can be obtained for each statistical calculation (refer to the table below):

Single-variable statistical calculations

Section ① results only.

Linear regression calculations

Section ① and ② results, except for coefficients c .

The estimate of y for a given x (estimate y') and the estimate of x for a given y (estimate x') can also be found.

Quadratic regression calculation

Section ① and ② results, and coefficients a , b , and c in the quadratic regression formula ($y = a + bx + cx^2$). In quadratic regression calculations, no correlation coefficient r can be obtained.

The estimate of y for a given x (estimate y') and the estimate of x for a given y (estimate x') can also be found. When there are two x values, the **COMP** symbol will appear. Press **COMP** to switch between x values.

Exponential regression, logarithmic regression, power regression, and inverse regression calculations

Section ① and ② results, except for coefficients c .

The estimate of y for a given x (estimate y') and the estimate of x for a given y (estimate x') can also be found. Because the calculator converts each formula into a linear regression before actual calculation takes place, it obtains all statistics — except coefficients a and b — from converted data rather than from entered data.

	Variables	Content
①	n	Number of samples
	\bar{x}	Mean of samples (x values)
	s_x	Sample standard deviation (x values)
	σ_x	Population standard deviation (x values)
	Σx	Sum of samples (x values)
	Σx^2	Sum of squares of samples (x values)
②	\bar{y}	Mean of samples (y values)
	s_y	Sample standard deviation (y values)
	σ_y	Population standard deviation (y values)
	Σy	Sum of samples (y values)
	Σy^2	Sum of squares of samples (y values)
	Σxy	Sum of products of samples (x, y)
	a	Coefficient of regression equation
	b	Coefficient of regression equation
	c	Coefficient of quadratic regression equation
	r	Correlation coefficient

- Use **ALPHA** or **RCL** to perform a variable calculation in STAT mode.

Example 1 Single-variable statistical calculation

Example	Key operation	Result
	MODE 1 0 2ndF CA	Stat 0 ^{STAT} 0.00
DATA		
95	95 DATA	DATA SET=1.00
80	80 DATA	DATA SET=2.00
80	DATA	DATA SET=3.00
75		
75	75 (x,y) 3 DATA	DATA SET=4.00
75		
50	50 DATA	DATA SET=5.00
$\bar{x} =$	RCL \bar{x}	$\bar{x} =$ 75.71
$\sigma x =$	RCL σx	$\sigma x =$ 12.37
$n =$	RCL n	$n =$ 7.00
$\Sigma x =$	RCL ΣX	$\Sigma x =$ 530.00
$\Sigma x^2 =$	RCL ΣX^2	$\Sigma x^2 =$ 41'200.00
$sx =$	RCL sx	$Sx =$ 13.36
$sx^2 =$	2ndF x^2 =	$Sx^2 =$ 178.57
$\frac{(95 - \bar{x})}{sx} \times 10 + 50 =$	(95 - ALPHA \bar{x}) ÷ ALPHA sx × 10 + 50 =	64.43

Example 2 Linear regression calculation

Example	Key operation	Result
	(MODE) 1 1	Stat 1 ^{STAT}
		0.00
DATA		
x y		
2 5	2 (x,y) 5 (DATA)	DATA SET=1.00
2 5	(DATA)	DATA SET=2.00
12 24	12 (x,y) 24 (DATA)	DATA SET=3.00
21 40		
21 40	21 (x,y) 40 (x,y) 3 (DATA)	DATA SET=4.00
21 40		
15 25	15 (x,y) 25 (DATA)	DATA SET=5.00
$a =$	(RCL) a	$a =$ 1.05
$b =$	(RCL) b	$b =$ 1.83
$r =$	(RCL) r	$r =$ 1.00
$sx =$	(RCL) sx	$Sx =$ 8.54
$sy =$	(RCL) sy	$Sy =$ 15.67
$x = 3 \rightarrow y' = ?$	3 (2ndF) y'	$3y' =$ 6.53
$y = 46 \rightarrow x' = ?$	46 (2ndF) x'	$46x' =$ 24.62

Example 3 Quadratic regression calculation

Example	Key operation	Result														
<table border="1" style="margin-left: 20px;"> <thead> <tr> <th colspan="2">DATA</th> </tr> <tr> <th>x</th> <th>y</th> </tr> </thead> <tbody> <tr> <td>12</td> <td>41</td> </tr> <tr> <td>8</td> <td>13</td> </tr> <tr> <td>5</td> <td>2</td> </tr> <tr> <td>23</td> <td>200</td> </tr> <tr> <td>15</td> <td>71</td> </tr> </tbody> </table>	DATA		x	y	12	41	8	13	5	2	23	200	15	71	(MODE) 1 2 12 (x,y) 41 (DATA) 8 (x,y) 13 (DATA) 5 (x,y) 2 (DATA) 23 (x,y) 200 (DATA) 15 (x,y) 71 (DATA)	Stat 2 STAT 0.00 DATA SET=1.00 DATA SET=2.00 DATA SET=3.00 DATA SET=4.00 DATA SET=5.00
DATA																
x	y															
12	41															
8	13															
5	2															
23	200															
15	71															
$a =$	(RCL) a	$a =$ 5.36														
$b =$	(RCL) b	$b =$ -3.12														
$c =$	(RCL) c	$c =$ 0.50														
$x = 10 \rightarrow y' = ?$	10 (2ndF) y'	$10y'$ 24.49														
$y = 22 \rightarrow x' = ?$	22 (2ndF) X'	$x1 =$ ^{COMP} 9.63														
	(COMP)	$x2 =$ ^{COMP} -3.43														
	(COMP)	$x1 =$ ^{COMP} 9.63														

Appendix

Financial Calculation Formulas

TVM solver

PMT, PV, FV, N

$$i = \left(\frac{I/Y}{C/Y \times 100} + 1 \right)^{\frac{CY}{PY}} - 1$$

Error

$$\frac{I/Y}{C/Y} \leq -100$$

$-1 < i < 0$ or $0 < i$

$$\text{END} \quad \text{PMT} = \frac{i \times (FV + PV \times (i + 1)^N)}{1 - (i + 1)^{-N}}$$

$$\text{BGN} \quad \text{PMT} = \frac{i \times (FV + PV \times (i + 1)^N)}{(i + 1) \times (1 - (i + 1)^{-N})}$$

$i = 0$

$$\text{PMT} = -\frac{PV + FV}{N}$$

$-1 < i < 0$ or $0 < i$

$$\text{END} \quad \text{PV} = -\frac{FV}{(i + 1)^N} + \frac{\text{PMT} \times ((i + 1)^{-N} - 1)}{i}$$

$$\text{BGN} \quad \text{PV} = -\frac{FV}{(i + 1)^N} + \frac{\text{PMT} \times (i + 1) \times ((i + 1)^{-N} - 1)}{i}$$

$i = 0$

$$\text{PV} = -(FV + N \times \text{PMT})$$

$-1 < i < 0$ or $0 < i$

$$\text{END} \quad \text{FV} = \frac{\text{PMT} \times (1 - (i + 1)^N)}{i} - \text{PV} \times (i + 1)^N$$

$$\text{BGN} \quad \text{FV} = \frac{\text{PMT} \times (i + 1) \times (1 - (i + 1)^N)}{i} - \text{PV} \times (i + 1)^N$$

$i = 0$

$$\text{FV} = -(PV + N \times \text{PMT})$$

$-1 < i < 0$ or $0 < i$

$$\text{END} \quad N = \frac{\log \left(\frac{\text{PMT} - \text{FV} \times i}{\text{PMT} + \text{PV} \times i} \right)}{\log(i + 1)}$$

$$\text{BGN} \quad N = \frac{\log \left(\frac{\text{PMT} \times (i + 1) - \text{FV} \times i}{\text{PMT} \times (i + 1) + \text{PV} \times i} \right)}{\log(i + 1)}$$

$i = 0$

$$N = -\frac{(FV + PV)}{\text{PMT}}$$

I/Y

If $\text{PMT} = 0$ then

$$i = \left(-\frac{FV}{PV} \right)^{\frac{1}{N}} - 1$$

If $N = 1$ then

$$\text{END} \quad i = -\frac{FV + \text{PMT}}{PV} - 1$$

$$\text{BGN} \quad i = -\frac{FV}{PV + \text{PMT}} - 1$$

If $\text{PMT} \neq 0$ or $N \neq 1$ then find i using the following equations:

$$\text{END} \quad 0 = PV + \frac{\text{PMT} \times (1 - (i + 1)^{-N})}{i} + \frac{FV}{(i + 1)^N}$$

$$\text{BGN} \quad 0 = PV + \frac{\text{PMT} \times (1 + i) \times (1 - (i + 1)^{-N})}{i} + \frac{FV}{(i + 1)^N}$$

Error

$$i \leq -1$$

$$I/Y = \left((1 + i)^{\frac{PY}{CY}} - 1 \right) \times C/Y \times 100$$

Amortization calculations

Calculations

(for PV, PMT, and i , see the TVM solver)

$$\text{END} \quad \text{INT}(1) = \text{ROUND}(-PV \times i)$$

$$\text{BGN} \quad \text{INT}(1) = 0$$

$$\text{PRN}(1) = -\text{INT}(1) + \text{ROUND}(\text{PMT})$$

$$\text{BAL}(1) = \text{PRN}(1) + PV$$

$$\text{INT}(m) = \text{ROUND}(-\text{BAL}(m - 1) \times i)$$

$$\text{PRN}(m) = -\text{INT}(m) + \text{ROUND}(\text{PMT})$$

$$\text{BAL}(m) = \text{PRN}(m) + \text{BAL}(m - 1)$$

ROUND(NUM): If a display notation tab setting has been chosen, NUM is rounded and truncated to the specified number of places after the decimal point.

Results

$$\text{BALANCE} = \text{BAL}(P2)$$

$$\Sigma \text{PRINCIPAL} = \sum_{k=P1}^{P2} \text{PRN}(k) \quad \Sigma \text{INTEREST} = \sum_{k=P1}^{P2} \text{INT}(k)$$

Error

$$\text{AMRT } P1 > \text{AMRT } P2$$

Discounted cash flow analysis

$$S(j) = \sum_{m=0}^j Nm \quad (j \geq 0) \quad S(-1) = 0$$

$$\text{NPV} = \sum_{j=0}^{\text{CFimax}} \left(\text{CF}_j \times \frac{1}{(i + 1)^{S(j-1)}} \times \sum_{h=0}^{Nj-1} (1 + i)^{-h} \right)$$

where $i = \frac{\text{RATE}(I/Y)}{100}$, CFimax = the maximum data set number

IRR is obtained as i , which satisfies $\text{NPV} = 0$ in the above equations.

Bond calculations

In its bond calculations, this calculator conforms to rules set up by the book titled *Standard Securities Calculation Methods*, by Jan Mayle, Securities Industry Association, 1993.

Bond calculation is based on the following rules:

1. Whenever the redemption date happens to be the last day of a month, coupons are also paid on the last days of months. For example, if coupon payments are semi-annual and the redemption date is September 30, coupon payments occur on March 31 and September 30.
2. If coupons are to be paid twice a year and the redemption date is set to August 29, 30, or 31, coupon payments for February occur on the 28th (29th for leap years).
3. The “Odd Coupon” is not supported.
4. All data stored or calculated for bonds are assumed to be positive values. Negative values in any of the variables used by bond calculations will cause errors.

The formulas used for bond calculations are shown using the following variable definitions:

TD: Total number of days in the coupon period that begins with the coupon date previous to the settlement date and ends with the first coupon date after the settlement date. (On the 360-day calendar, TD is 180 for semi-annual coupon and 360 for annual coupon.)

PD: The number of days preceding the settlement date in the coupon period described above. (see “Day and date calculations”)

FD: The number of days following the settlement date in the coupon period described above (in TD).

$$FD = TD - PD$$

NP: The number of whole coupon periods between the settlement date and the redemption date (rounded up to the next highest whole number, if necessary).

$$PRICE = \left(\frac{RDV + \frac{CPN}{N}}{1 + \left(\frac{FD}{TD} \times \frac{YIELD}{100 \times N} \right)} \right) - \left(\frac{PD}{TD} \times \frac{CPN}{N} \right)$$

For one coupon period or less until redemption of bond:

For more than one coupon period until redemption:

$$PRICE = \left(\frac{RDV}{\left(1 + \frac{YIELD}{100 \times N}\right)^{NP-1 + \frac{FD}{TD}}} \right) + \left(\sum_{j=1}^{NP} \frac{\frac{CPN}{N}}{\left(1 + \frac{YIELD}{100 \times N}\right)^{j-1 + \frac{FD}{TD}}} \right) - \left(\frac{PD}{TD} \times \frac{CPN}{N} \right)$$

where $CPN = COUPON(PMT)$, $RDV = REDEMPT(FV)$, $N = CPN/Y(N)$, $YIELD = YIELD(I/Y)$, $PRICE = PRICE(PV)$.

Yield is obtained as $YIELD$, which satisfies the above equations.

Error

$$CPN < 0 \text{ or } RDV < 0 \text{ or } PRICE < 0 \text{ or } M-D-Y 1 \geq M-D-Y 2 \text{ or } YIELD \leq -100$$

Depreciation calculations

ROUND(NUM): If a display notation tab setting has been chosen, NUM is rounded and truncated to the specified number of places after the decimal point.

In the following equations, M01 = START MONTH, LIF = LIFE(N), CST = COST(PV), SAL = SALVAGE(FV), and DB = DB(I/Y).

$$FSTYR = \frac{13 - M01}{12}$$

$$n = \text{year}$$

If M01 = 1 then end_year = LIF.

If M01 ≠ 1 then end_year = LIF + 1.

Straight-line method (SL)

Calculations

$$RDV(0) = CST - SAL$$

$$RDV(1) = RDV(0) - \frac{CST - SAL}{LIF} \times FSTYR$$

If 1 < n < end_year then

$$RDV(n) = RDV(1) - \frac{CST - SAL}{LIF} \times (n - 1)$$

If n ≥ end_year then RDV(n) = 0

Results

$$DEPRECIATE = ROUND(RDV(\text{year})) - ROUND(RDV(\text{year} - 1))$$

$$RDV = RDV(\text{year})$$

$$RBV = SAL + RDV(\text{year})$$

Sum-of-the-years' digits method (SYD)

Calculations

$$RDV(0) = CST - SAL$$

$$RDV(1) = RDV(0) - \frac{(CST - SAL) \times 2}{LIF + 1} \times FSTYR$$

If 1 < n < end_year then

$$RDV(n) = RDV(n - 1) - \frac{(LIF + 2 - n - FSTYR) \times (CST - SAL) \times 2}{LIF \times (LIF + 1)}$$

If n ≥ end_year then RDV(n) = 0

Results

$$DEPRECIATE = ROUND(RDV(\text{year})) - ROUND(RDV(\text{year} - 1))$$

$$RDV = RDV(\text{year})$$

$$RBV = SAL + RDV(\text{year})$$

Declining balance method (DB)

Calculations

If n = 1 then

$$\text{If } \frac{CST \times DB}{LIF \times 100} < CST - SAL$$

$$RBV(1) = CST - \frac{CST \times DB}{LIF \times 100} \times FSTYR$$

$$\text{If } \frac{CST \times DB}{LIF \times 100} \geq CST - SAL$$

$$RBV(1) = CST - (CST - SAL) \times FSTYR$$

$$RDV(1) = RBV(1) - SAL$$

If 1 < n < end_year then

$$\text{If } RBV(1) \times \left(1 - \frac{DB}{LIF \times 100}\right)^{n-1} \leq SAL$$

$$RDV(n) = 0$$

$$\text{If } RBV(1) \times \left(1 - \frac{DB}{LIF \times 100}\right)^{n-1} > SAL$$

$$RDV(n) = RBV(1) \times \left(1 - \frac{DB}{LIF \times 100}\right)^{n-1} - SAL$$

If n ≥ end_year then RDV(n) = 0

Results

$$DEPRECIATE = ROUND(RDV(\text{year})) - ROUND(RDV(\text{year} - 1))$$

$$RDV = RDV(\text{year})$$

$$RBV = SAL + RDV(\text{year})$$

Error

$$CST < 0$$

$$SAL < 0$$

$$CST < SAL$$

LIF: when SL, LIF ≤ 0

when SYD or DB, LIF is not a positive integer

I/Y < 0 (DB only)

Conversion between APR and EFF

N, EFF → APR

$$\left(\left(\frac{EFF}{100} + 1\right)^{\frac{1}{N}} - 1\right) \times N \times 100$$

Error

$$EFF \leq -100$$

N, APR → EFF

$$\left(\left(\frac{APR}{100} + 1\right)^N - 1\right) \times 100$$

Error

$$\frac{APR}{N} \leq -100$$

Day and date calculations

In day and date calculations, this calculator conforms to rules set up in the book titled Standard Securities Calculation Methods, by Jan Mayle, Securities Industry Association, 1993.

$$M-D-Y1 = M1(\text{month}) / D1(\text{day}) / Y1(\text{year})$$

$$M-D-Y2 = M2(\text{month}) / D2(\text{day}) / Y2(\text{year})$$

1. Adjust D1 and D2 according to the following rules:

(1) If D2 and D1 are both the last day of February, change D2 to 30.

(2) If D1 is the last day of February, change D1 to 30.

(3) If D2 is 31 and D1 is 30 or 31, change D2 to 30.

(4) If D1 is 31, change D1 to 30.

2. Calculate using the following formula:

$$\text{DAYS} = (Y2 - Y1) \times 360 + (M2 - M1) \times 30 + (D2 - D1)$$

Actual

Calculate actual days.

Percent change/Compound interest calculations

$$\text{NEW} = \text{OLD} \times \left(1 + \frac{\%CH}{100}\right)^{PD} \quad \text{OLD} = \frac{\text{NEW}}{\left(1 + \frac{\%CH}{100}\right)^{PD}}$$

$$PD = \frac{\log \frac{\text{NEW}}{\text{OLD}}}{\log \left(1 + \frac{\%CH}{100}\right)} \quad \%CH = \left(\left(\frac{\text{NEW}}{\text{OLD}}\right)^{\frac{1}{PD}} - 1\right) \times 100$$

where NEW = NEW PRC(FV), OLD = OLD PRC(PV), %CH = % (I/Y), PD = PERIODS(N)

Error

$$\%CH \leq -100$$

$$\text{NEW} \times \text{OLD} \leq 0$$

Cost/Sell/Margin/Markup calculations

$$\text{COST} = \text{SELL} \times \left(1 - \frac{\text{MAR}}{100}\right) \quad \text{COST} = \frac{\text{SELL}}{\frac{\text{MU}}{100} + 1}$$

$$\text{SELL} = \frac{\text{COST}}{1 - \frac{\text{MAR}}{100}} \quad \text{SELL} = \text{COST} \times \left(\frac{\text{MU}}{100} + 1\right)$$

$$\text{MAR} = \frac{\text{SELL} - \text{COST}}{\text{SELL}} \times 100 \quad \text{MU} = \frac{\text{SELL} - \text{COST}}{\text{COST}} \times 100$$

where MAR = MARGIN, MU = MARK UP

Breakeven calculations

$$\text{PRICE} = \frac{\text{FIXED} + \text{PROFIT}}{\text{QUANTITY}} + \text{VARIABLE}$$

Statistical Calculation Formulas

Type	Regression formula
Linear	$y = a + bx$
Quadratic	$y = a + bx + cx^2$
Exponential	$y = a \cdot e^{bx}$
Logarithmic	$y = a + b \cdot \ln x$
Power	$y = a \cdot x^b$
Inverse	$y = a + b \frac{1}{x}$

$$\bar{x} = \frac{\sum x}{n}$$

$$s_x = \sqrt{\frac{\sum x^2 - n\bar{x}^2}{n-1}}$$

$$\sigma_x = \sqrt{\frac{\sum x^2 - n\bar{x}^2}{n}}$$

$$\sum x = x_1 + x_2 + \dots + x_n$$

$$\sum x^2 = x_1^2 + x_2^2 + \dots + x_n^2$$

$$\bar{y} = \frac{\sum y}{n}$$

$$s_y = \sqrt{\frac{\sum y^2 - n\bar{y}^2}{n-1}}$$

$$\sigma_y = \sqrt{\frac{\sum y^2 - n\bar{y}^2}{n}}$$

$$\sum y = y_1 + y_2 + \dots + y_n$$

$$\sum y^2 = y_1^2 + y_2^2 + \dots + y_n^2$$




$$\sum xy = x_1y_1 + x_2y_2 + \dots + x_ny_n$$




An error will occur in a statistical calculation if:

- The absolute value of an intermediate or calculation result is equal to or greater than 1×10^{100} .
- The denominator is zero.
- An attempt is made to find the square root of a negative number.
- No solution exists for a quadratic regression calculation.

Errors and Calculation Ranges

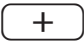
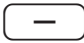
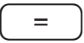



Errors

An error will occur if an operation exceeds the calculation ranges, or if a mathematically illegal operation is attempted. When an error occurs, pressing  or  automatically moves the cursor back to the place in the equation where the error occurred. Edit the equation or press  to clear the equation.

Note: If an error occurs during the automatic calculation of a listed financial variable, pressing , , or  displays the first variable in the function.

Error codes and error types

Syntax error (Error 1):

- An attempt was made to perform an invalid operation.
Ex. 2   5 
- During the editing or insertion of cash flow or statistical data, a value was entered but   was pressed before .

Calculation error (Error 2):

- The absolute value of an intermediate or final calculation result equals or exceeds 10^{100} .
- An attempt was made to divide by zero.
- The calculation ranges were exceeded while performing calculations.
- There was a financial calculation error, such as:
 - an error listed in “Financial Calculation Formulas” (see pages 72 – 75) occurred
 - an attempt was made to find I/Y when PV, $PMT \times N$, and FV contain all negative or all positive values
 - an attempt was made to find IRR when the cash flow data contains all negative or all positive values
 - an attempt was made to find YIELD in a bond calculation when any of COUPON, REDEMPT, or PRICE contain negative values

Depth error (Error 3):

- The available number of buffers was exceeded. (There are 10 buffers for numeric values and 24 buffers for calculation instructions).
- The number of entered cash flow and statistics data items combined exceeded 100.

Equation too long (Error 4):

- The equation exceeded its maximum input buffer (160 characters).

An equation must be shorter than 160 characters.

No solution (Error 5):

- The iteration limit was exceeded while calculating one of the following values in an overly complex problem:
 - I/Y (TVM solver)
 - IRR (Discounted cash flow analysis)^{*1}
 - YIELD (Bond calculations)

^{*1} If you get an error while calculating IRR, enter an estimated value into RATE(I/Y) and calculate again.

Display error (Error 6):

- An attempt was made to display “ 9.999×10^{99} ” when the display notation tab number was set to “2”.

If this happens, press and to set the display notation settings to “floating point”. Then try again.

Input value error (Error 7):

- An attempt was made to enter a nonexistent date.
Ex. February 30th
- An attempt was made to enter an invalid numeric value into a financial calculation.
 - a negative value or 0 into P/Y or C/Y
 - anything except an integer between 1 and 9,999 into AMRT P1 or AMRT P2
 - a non-integer into DAYS
 - anything except 1 or 2 into CPN/Y
 - anything except an integer between 1 and 999 as a cash flow frequency
 - anything except a positive integer into YEAR
 - anything except a value between 1 and 13 into START MONTH

Calculation ranges of functions

- Within the ranges specified, this calculator is accurate to within ± 1 of the least significant digit of the mantissa. However, a calculation error increases in continuous calculations due to accumulation of each calculation error. (This is the same for financial calculations, scientific calculations [y^x , $x\sqrt{\quad}$, e^x , \ln , $n!$, etc.], where continuous calculations are performed internally.)

Additionally, a calculation error will accumulate and become larger in the vicinity of inflection points and singular points of functions.

In financial calculations, a calculation error increases if the interest is low or the number of payments is high. Press **ON/C** if you'd like to cancel the calculation while the "calculating!" screen is displayed.

- Calculation ranges
 $\pm 10^{-99}$ to $\pm 9.999999999 \times 10^{99}$ and 0.

If the absolute value of an entry or a final or intermediate result of a calculation is less than 10^{-99} , the value is considered to be 0 in calculations and in the display.

Function	Calculation range
$\sin x$, $\cos x$, $\tan x$	DEG: $ x < 10^{10}$ $(\tan x : x \neq 90(2n - 1))^*$ RAD: $ x < \frac{\pi}{180} \times 10^{10}$ $(\tan x : x \neq \frac{\pi}{2}(2n - 1))^*$ GRAD: $ x < \frac{10}{9} \times 10^{10}$ $(\tan x : x \neq 100(2n - 1))^*$
$\sin^{-1} x$, $\cos^{-1} x$	$ x \leq 1$
$\tan^{-1} x$	$ x < 10^{100}$
$\ln x$, $\log x$	$10^{-99} \leq x < 10^{100}$
y^x	<ul style="list-style-type: none"> • $y > 0$: $-10^{100} < x \log y < 100$ • $y = 0$: $0 < x < 10^{100}$ • $y < 0$: $x = n$ $(0 < x < 1: \frac{1}{x} = 2n - 1, x \neq 0),^*$ $-10^{100} < x \log y < 100$

Function	Calculation range
$x\sqrt{y}$	<ul style="list-style-type: none"> • $y > 0$: $-10^{100} < \frac{1}{x} \log y < 100$ ($x \neq 0$) • $y = 0$: $0 < x < 10^{100}$ • $y < 0$: $x = 2n - 1$ $(0 < x < 1: \frac{1}{x} = n, x \neq 0),^*$ $-10^{100} < \frac{1}{x} \log y < 100$
e^x	$-10^{100} < x \leq 230.2585092$
10^x	$-10^{100} < x < 100$
$\sinh x, \cosh x, \tanh x$	$ x \leq 230.2585092$
$\sinh^{-1} x$	$ x < 10^{50}$
$\cosh^{-1} x$	$1 \leq x < 10^{50}$
$\tanh^{-1} x$	$ x < 1$
x^2	$ x < 10^{50}$
\sqrt{x}	$0 \leq x < 10^{100}$
$1/x$	$ x < 10^{100}$ ($x \neq 0$)
$n!$	$0 \leq n \leq 69^*$
nPr	$0 \leq r \leq n \leq 9,999,999,999^*$ $\frac{n!}{(n-r)!} < 10^{100}$
nCr	$0 \leq r \leq n \leq 9,999,999,999^*$ $0 \leq r \leq 69$ $\frac{n!}{(n-r)!} < 10^{100}$

* n, r: integer

Battery Replacement

Notes on battery replacement

Improper handling of battery can cause electrolyte leakage or explosion. Be sure to observe the following handling rules:

- Make sure the new battery is the correct type.
- When installing, orient the battery correctly, as indicated in the calculator.
- The factory-installed battery may be exhausted before it reaches the service life stated in the specifications.

Note on the erasure of memory contents

When the battery is replaced, the memory contents are erased. Erasure can also occur if the calculator is defective or when it is repaired. Make a note of all important memory contents in case accidental erasure occurs.

When to replace the battery

If the display has poor contrast, or if nothing appears on the screen, even when **ON/C** is pressed, it is time to replace the battery.

Caution

- Fluid from a leaking battery accidentally entering an eye could result in serious injury. Should this occur, wash with clean water and immediately consult a doctor.
- Should fluid from a leaking battery come into contact with your skin or clothes, wash them immediately with clean water.
- If the product is not to be used for some time, to avoid damage to the unit from leaking battery, remove it and store in a safe place.
- Keep battery out of the reach of children.
- Exhausted battery that is left in the calculator may leak and damage the unit.
- Explosion risk may be caused by incorrect handling.
- Do not throw battery into a fire, as it may explode.

Replacement procedure

1. Turn the power off by pressing **2ndF** **OFF**.
 2. Loosen the screw and remove the battery cover. (see fig. 1)
 3. Remove the used battery using a ball-point pen or similar object. Do not use a mechanical pencil or any sharp or pointed object to remove the battery. (see fig. 2)
 4. Install one new battery. Make sure the “+” side is facing up.
 5. Replace the battery cover and the screw.
 6. Press the RESET switch located on the back of the calculator with the tip of a ball-point pen or similar object. Do not use an object with a breakable or sharp tip. (see fig. 3)
- Make sure that the display appears as shown. If not, remove the battery, reinstall, and check the display again.

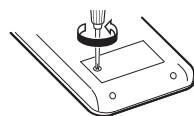


fig. 1

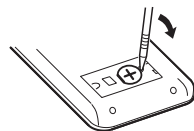


fig. 2

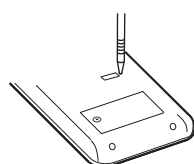


fig. 3



Automatic power-off function

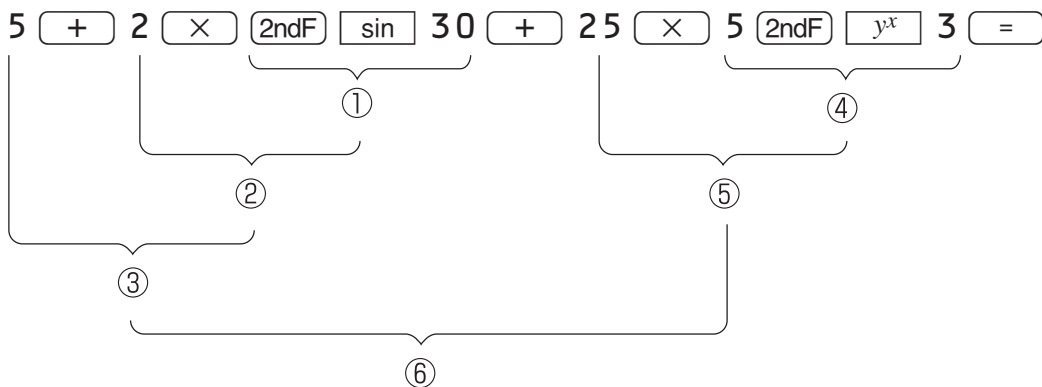
This calculator will turn its power off automatically if no key is pressed for about 10 minutes.

Priority Levels in Calculations

This calculator performs operations according to the following priority:

1. Functions preceded by their argument (x^2 , $n!$, etc.)
2. y^x , $x\sqrt{\quad}$
3. Implied multiplication of a memory value (2Y, etc.)
4. Functions followed by their argument (sin, cos, etc.)
5. Implied multiplication of a function (2sin 30, etc.)
6. nCr, nPr
7. \times , \div
8. $+$, $-$
9. =, M+, M-, \Rightarrow M, and any other calculation ending instructions

Example Key operation and calculation priority



- Parenthesized operations take precedence over other operations.

Specifications

Calculations:	Financial calculations General arithmetic calculations Scientific calculations Statistical calculations
Calculation method:	D.A.L. (Direct Algebraic Logic)
Internal calculations:	Mantissas of up to 14 digits
Pending operations:	24 calculations, 10 numeric values
Power source:	3.0 V $\overline{\text{---}}$ (DC) Lithium battery (CR2032) \times 1
Operating life:	Approx. 5 years (with 1 hour of daily use) • May vary depending on the operating environment and operation method.
Operating temperature:	0°C – 40°C (32°F – 104°F)
External dimensions:	77 mm (W) \times 150 mm (D) \times 12 mm (H) 3-1/32" (W) \times 5-29/32" (D) \times 15/32" (H)
Weight:	Approx. 94 g (0.21 lb.) (including battery)
Accessories:	Battery \times 1 (installed), operation manual, and hard case

For more information about financial calculators

Visit us on the Internet at:
<http://sharp-world.com/calculator/>

Index

(x,y), 37, 51, 64
+, 4, 11
=, 11, 15
+/-, 11, 37, 61
(), 11, 16, 61
xP/Y, 23
 $\sqrt{\quad}$, $\sqrt[x]{\quad}$, 60, 61
%, 16, 62
 $\Delta\%$, 54
▲, ▼, ◀, ▶, 6, 13
▶APR, ▶EFF, 51
•, 11
 π , 16, 61
 $1/x$, 61
 10^x , 61
2ndF, 4, 6, 7
360/ACT, 44, 45, 52
ALPHA, 4, 6, 7, 15
AMRT, 33
ANS, 15, 16, 23
BGN/END, 22, 28, 33
BOND, 45
BRKV, 58
CA, 12, 19
CASH, 41
CFi, 37, 38
CLR-D, 39, 66
COMP, 7, 19
COST, 56
DATA, 37, 64
DATE, 52
DEL, 12
DEPR, 49
ENT, 7, 19
 e^x , 61
Exp, 11
FV, 22, 23
hyp, 7, 61
I/Y, 22, 23
INS, 13
INS-D, 39, 66
In, 61
log, 61
M, 15
M+, 11, 16
M-, 16
M-CLR, 5, 12, 13
MDF, 63
MODE, 6, 10, 12
N, 22, 23
 $n!$, 62
 nCr , nPr , 62
OFF, 6
ON/C, 6, 12
P/Y, 22, 23
PMT, 22, 23

PV, 22, 23
RANDOM, 62, 63
RCL, 7, 15
SET UP, 6, 8–10
STO, 7, 15
 X^2 , 16, 60, 61, 69
 y^x , 61



% (I/Y), 18, 54, 75
 Σ INTEREST, 33, 72
 Σ PRINCIPAL, 33, 72
ACCU INT, 44
Amortization calculations,
17, 33–36, 72
AMRT P1, AMRT P2, 12, 33, 77
Angular unit, 8, 9, 61
Annuity due, 7, 22, 28
ANS (last answer memory), 14, 15
APR, 17, 51, 74
Arithmetic calculations, 11
Arithmetic operations (+, −, ×, ÷), 11
Automatic power-off function, 81
BALANCE, 33, 72
Battery replacement, 80, 81
Bond calculations, 17, 18, 44–47, 73
Breakeven calculations, 17, 58, 59, 75
■ (symbol), 8, 20
Calculation ranges, 78, 79
Calculator layout, 6
Calendar range, 44, 47, 52
Cash flow data, 12, 37–40, 76
Cash flow diagrams, 21
Chain calculations, 60
COMP (symbol), 7, 20
Compound interest, 21, 54–56, 75
Constant calculations, 60
Conversion between APR and EFF, 17, 51
COST, 56, 75
COST (PV), 18, 48, 74
Cost/sell/margin/markup calculations,
17, 56, 57, 75
COUPON (PMT), 18, 44, 73, 76
CPN/Y (N), 18, 44, 77
Cursor key, 6, 13
C/Y, 18, 22, 72, 77
Date format, 10, 44, 47, 52
Day and date calculations,
17, 18, 52–54, 74
Day-count method (ACT/360), 44, 52
DAYS, 52, 53, 75
DB, 9, 48, 74
DB (I/Y), 18, 48, 74
Decimal place, 8, 9, 63
DEG, 8, 9, 61, 78
Delete key, 12
DEPRECIATE, 48
Depreciation calculations,
17, 18, 48–50, 74
Depreciation method, 9, 48

Discounted cash flow analysis, 17, 18, 37–43, 72
 Display layout, 7
 Display notation, 8
 EFF, 17, 51, 74
 ENT (symbol), 7, 20
 Entering dates, 47
 Entering numbers, 11
 Error, 14, 76–78
 EXP, 64
 Financial calculations, 17, 18, 72
 FIXED, 58, 75
 FLO_A (FLOAT A), FLO_B (FLOAT B), 7, 9
 Floating point, 8, 9
 Formulas, 72–75
 FV, 18, 22, 72
 GRAD, 8, 9, 61, 78
 Independent memory (M), 8, 12, 14, 15
 Insert mode, 13
 INV, 64
 IRR, 40, 41, 72, 77
 I/Y, 18, 22, 72, 77
 LIFE (N), 18, 48, 74
 LINE, 64
 Listed financial variables, 12, 14, 15, 18, 19
 LOG, 64
 M (symbol), 8
 MARGIN, 56, 75
 MARK UP, 56, 75
 M-D-Y 1, M-D-Y 2, 18, 44, 52, 73, 75
 Memory clear key, 5, 12, 13
 Modify function, 63
 N, 18, 22, 72
 NET_PV, 40
 NEW PRC (FV), 18, 54, 75
 NORMAL mode, 10, 17, 60
 NPV, 40, 41, 72
 OLD PRC (PV), 18, 54, 75
 Ordinary annuity, 7, 22, 28
 Overwrite mode, 13
 Payment period (payment due), 22, 28
 Percent change/compound interest calculations, 17, 18, 54–56, 75
 PERIODS (N), 18, 54, 75
 Playback function, 13
 PMT, 18, 22, 72
 PRICE, 58, 75
 PRICE (PV), 18, 44, 45, 73, 76
 Priority levels in calculations, 81, 82
 PROFIT, 58
 PV, 18, 22, 72
 PWR, 64
 P/Y, 18, 22, 72, 77
 QUAD, 64
 QUANTITY, 58
 RAD, 8, 9, 61, 78
 Random coin, 62
 Random dice, 62
 Random functions, 62–63
 Random integer, 63
 Random numbers, 62
 RATE (I/Y), 18, 40, 72
 RBV, 48, 74
 RDV, 48, 74
 REDEMPT (FV), 18, 44, 73, 76
 RESET switch, 5, 12, 81
 Resetting the calculator, 5
 SALVAGE (FV), 18, 48, 74
 SCI, 7, 8
 Scientific calculations, 60–63
 Scientific notation, 8, 9, 11, 63
 SD, 64
 SELL, 56, 75
 SET UP menu, 8–10
 SL, 9, 48, 74
 Specifications, 82
 START MONTH, 48, 74, 77
STAT (symbol), 8, 10, 64
 STAT (statistics) mode, 10, 64
 Statistical calculations, 10, 64–71
 Statistical data, 12, 64–67, 76
 Statistical variables, 12, 14, 16, 68
 Symbol, 7
 SYD, 9, 48, 74
 TAB, 7, 8
 Temporary memory (A-H, X-Z), 12, 14, 15
 TVM (time value of money) solver, 17, 22–32, 72
 TVM variable, 12, 14, 15, 18, 19, 22
 VARIABLE, 58, 75
 YEAR, 12, 48, 77
 YIELD (I/Y), 18, 44, 45, 73, 76, 77

For Canada only :
For warranty information, please see
<http://www.sharp.ca/support-product-downloads.aspx>

For Australia / New Zealand only :
For warranty information please see www.sharp.net.au

For Australia only:

 	<p>THIS PRODUCT CONTAINS BUTTON BATTERIES. KEEP BATTERIES OUT OF REACH OF CHILDREN.</p>
--	---

SHARP

SHARP CORPORATION