

SHARP

Be Original.

MX-C300W

Digital Full Colour Multifunctional System



Easy to Place, Easy to Access—
Stylishly Compact Colour MFD
with Wireless LAN Streamlines
Your Workflow



Easy Wireless Connections

Bring Unprecedented Flexibility

Stylishly compact and designed for high performance, the MX-C300W offers built-in wireless LAN connectivity, making it easy to put this colour MFD to work in a variety of settings. The MX-C300W can connect wirelessly to any notebook PC, smartphone, and tablet that has wireless LAN connectivity. This lets users conveniently initiate MFD printing/scanning via their mobile devices from almost anywhere in the workplace and also allows flexible placement of the MFD.

WIRELESS CAPABILITY

Built-In Wireless Connections

The MX-C300W offers ultra-handly wireless access via two easy modes: infrastructure mode and access point mode. These two modes enable the MFD to accommodate various user-environment factors, such as installation location and the type of LAN available.

Infrastructure mode



Infrastructure mode wirelessly connects the MFD to notebook PCs and other mobile devices via a commercially available wireless LAN router. This ensures convenient access to the MFD even from places where wired LAN is not available.

Access point mode



Access point mode wirelessly connects a LAN-wired MFD to notebook PCs and other mobile devices without going through a wireless LAN router. The MFD can be accessed via both a wired connection and a wireless connection.

Note: External networks cannot be accessed via the MFD. Up to five mobile devices can be wirelessly connected to the MFD at the same time.

Sharpdesk Mobile

Sharpdesk Mobile is a mobile print/scan application that combines the convenience of mobile devices and the efficiency of Sharp MFDs to make conducting business on the go easier than ever. Documents scanned on a Sharp MFD can be sent to a mobile device to preview and save. Documents saved on a mobile device can be printed out on the MFD, sent as e-mail attachments, or used in other applications.

COPYING AND PRINTING

Efficient Colour and B/W Output

The MX-C300W delivers a fast output of 30 cpm/ppm* in full colour and in B/W. And the first copy comes out in just 10 seconds in B/W and 18 seconds in full colour to save valuable time when performing multiple short-run jobs. A warm-up time of just 29 seconds brings added efficiency.

* A4, short-edge feeding

Superb Image Quality

Sharp's latest 3rd-generation Mycrostoner-HG (High Grade) and a dual-component developer system combine to provide breathtaking image quality. The toner's smaller particle size reduces graininess and enables clear reproduction of fine lines, fine text, and halftone colours.

Built-In Duplex Module and RSPF

The MX-C300W can make two-sided copies and printouts using its built-in stackless duplex module, effectively reducing paper costs as well as saving filing space.

Duplex copying is even more effective when the duplex module is used together with the standard-equipped 50-sheet RSPF (reversing single pass feeder).



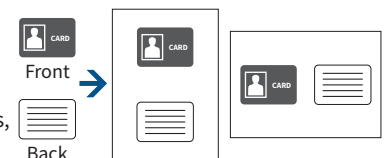
Direct Printing

The MX-C300W can print PDF, TIFF, and JPEG files without using the printer driver. And there's a USB port beneath the control panel, which comes in handy when printing data directly from USB memory devices—an indispensable function for users who are in a hurry or who want quick machine access without a PC.



ID Card Copy

The MX-C300W has a dedicated key for easy copying of both sides of a card (ID cards, credit cards, etc.) onto a single page.



Other Key Features

Network Print

- Works with Windows®, Windows Server®, and Mac operating systems
- Supports the latest network protocols including IPv6
- Supports, as standard, PCL 6 and PostScript® 3™

Paper Handling

- Total paper capacity of 800 sheets
- Accommodates heavy paper up to 220 g/m²

Device Management

- SRDM (Sharp Remote Device Manager) allows centralised control of networked MFDs

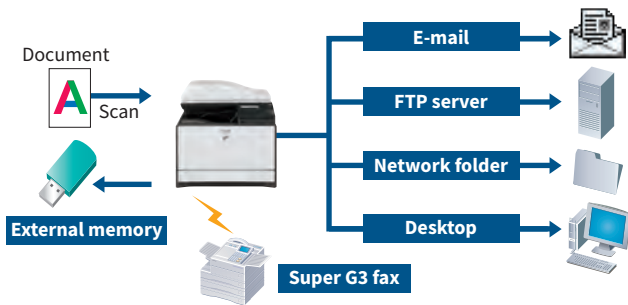
SCANNING AND FAXING

Full-Colour Network Scanning

The MX-C300W works as a full-colour network scanner and supports TIFF, PDF, and JPEG file formats. Converting any type of paper-based document into an editable digital file is as easy as making a copy.

Multiple Distribution of Scanned Files

You can choose different ways to distribute your scanned documents: for example, send as an e-mail attachment or scan directly to an FTP server for storage.



Business Card Scanning

The MX-C300W can easily scan business cards* with its RSPF and can be used with commercially available business card scan software to create business card databases.



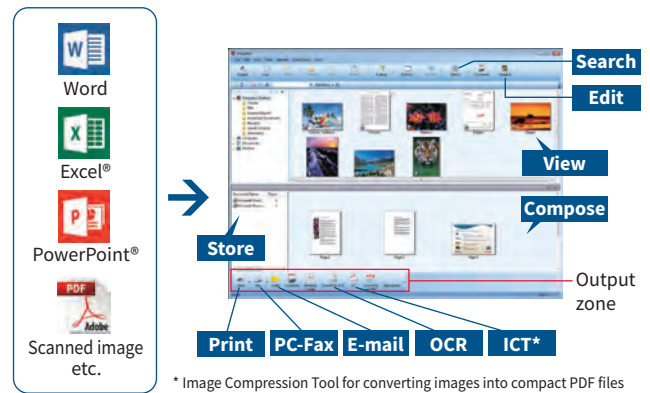
* One-sided scanning

LDAP Support

Built-in LDAP (lightweight directory access protocol) support eliminates the need to enter or register full addresses. Entering just the first few letters of a recipient's name prompts the MX-C300W to display a list of possible matches from your company's LDAP server. Selected addresses can be stored to the MX-C300W's address book.

Sharpdesk

With Sharpdesk integrated document management software, scanned files can be organised, edited, converted, and combined with ease. What's more, Full Text Search makes it easy to retrieve your documents.



* Image Compression Tool for converting images into compact PDF files

Scanner Program Keys

Scanner Program Keys on the control panel enable users to register frequently used scan settings and destinations for easy, one-touch recall.

Versatile Fax Functions

- **Super G3 Fax** function
- **PC-Fax** lets you send documents created on a PC directly to a recipient's fax machine via a phone line without printing to paper
- **Mixed size original scanning** automatically distinguishes documents of mixed sizes fed through the RSPF
- **Fax destination confirmation** allows users to reconfirm fax numbers before sending to prevent transmission errors
- **Inbound routing** lets you check incoming faxes via a network folder (SMB) before printing them out
- **Speed dial keys** register up to 300 numbers

OTHER OUTSTANDING FEATURES

Reliable Security

- IPsec data encryption technology ensures secure network communications.
- User authentication covering up to 30 users prevents unauthorised MFD use by requiring access passwords.
- Retained data can be initialised when it's time to replace the MFD, preventing the leakage of confidential information.

Easy-To-Use Control Panel



SPECIFICATIONS

General

Type	Desktop
Engine speed	A4*1: Max. 30 ppm
Control panel display	5-line LCD
Paper size	Max. A4, min. A6
Paper capacity (80 g/m ²)	Standard: 300 sheets (250-sheet tray and 50-sheet multi-bypass tray) Maximum: 800 sheets (300 sheets & optional 500-sheet tray)
Paper weight	Tray: 60 g/m ² to 105 g/m ² Multi-bypass tray: 55 g/m ² to 220 g/m ²
Warm-up time*2	29 sec.
Memory	Copy/print (shared): 512MB
Power requirements	Rated local AC voltage ±10%, 50/60 Hz
Power consumption	Max. 1.15 kW (220V to 240V)
Dimensions (W x D x H)	429 x 509 x 421 mm
Weight (approx.)	29 kg

Copier

Original paper size	Max. A4
First copy time*3	Full colour: 18 sec. B/W: 10 sec.
Continuous copy	Max. 999 copies
Resolution	Scan*4: 600 x 600 dpi, 600 x 400 dpi, 600 x 300 dpi Print: 600 x 600 dpi
Gradation	Equivalent to 256 levels
Zoom range	25% to 400% (25% to 200% using RSPF) in 1% increments
Preset copy ratios	Metric: 8 ratios (4R/4E), inch: 5 ratios (3R/2E)

SYSTEM CONFIGURATION



COMPACT TONER CARTRIDGES



Network Printer

Resolution	600 x 600 dpi
Interface	USB 2.0, 10Base-T/100Base-TX
Supported OS	Windows Server® 2003, Windows Server® 2008 R2, Windows Server® 2008, Windows Server® 2012 R2, Windows Server® 2012, Windows Server® 2012 R2, Windows Server® 2016, Windows Server® 2019, Windows® XP, Windows Vista®, Windows® 7, Windows® 8.1, Windows® 10, Mac OS 10.4, 10.5, 10.6, 10.7, 10.8, 10.9, 10.10, 10.11, 10.12, 10.13, 10.14 & 10.15
Network protocols	TCP/IP (IPv4, IPv6)
Printing protocols*5	LPR, Raw TCP (port 9100), IPP, FTP for downloading print files
PDL	PCL 6 emulation, PostScript® 3™ emulation
Available fonts	80 fonts for PCL, 136 fonts for PostScript 3 emulation

Network Scanner

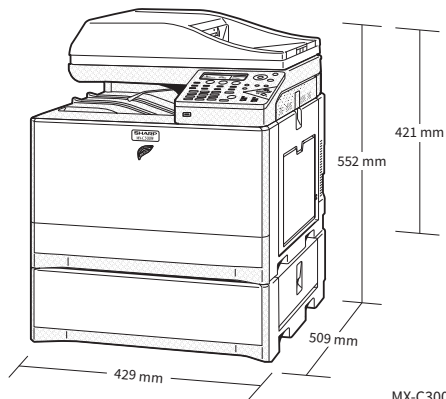
Scan method	Push scan (via control panel) Pull scan (TWAIN-compliant application)
Scan speed*6	[Colour] Max. 9 originals/min. [B/W] Max. 18 originals/min.
Resolution	Push scan: 100, 150, 200, 300, 400, 600 dpi Pull scan: 75, 100, 150, 200, 300, 400, 600 dpi 50 dpi to 9,600 dpi via user setting*7
File formats	TIFF, PDF, JPEG*8
Scanner utility	Sharpdesk
Scan destinations	Scan to e-mail/desktop/FTP server/ network folder (SMB)/USB drive

Facsimile

Compression method	MH/MR/MMR/JBIG
Communication protocol	Super G3/G3
Transmission time	Less than 3 seconds*9
Modem speed	33,600 bps to 2,400 bps with automatic fallback
Transmission resolution	From Standard (203.2 x 97.8 dpi) to Super Fine (203.2 x 391 dpi)
Recording size	A4 to A5
Memory	8MB
Greyscale levels	Equivalent to 256 levels

*1: Short-edge feeding. *2: At rated voltage, 23°C. May vary depending on operating conditions and environment. *3: Short-edge feeding of A4 sheets from paper tray, using document glass, MFD in fully ready condition. May vary depending on operating conditions and environment. *4: Default resolution when using document glass = 600 x 400 dpi; when using RSPF = 600 x 300 dpi. *5: IPv6 is supported only by LPR printing protocol. *6: Based on Sharp's A4 standard chart, using document feeder, short-edge feeding, and one-sided scanning. Using factory default settings with Auto Colour Selection off. Scan speed will vary depending on the type of document and the scan settings. *7: Resolution will vary depending on the size of the scanned area. Resolutions higher than 600 dpi are interpolated. *8: Colour/greyscale only. *9: Based on Sharp's standard chart with approx. 700 characters (A4) at standard resolution in Super G3 mode, 33,600 bps, JBIG compression.

• Design and specifications are subject to change without prior notice.
• PCL is a registered trademark of Hewlett-Packard Company. PostScript 3 is either a registered trademark or trademark of Adobe Systems Incorporated in the US and/or other countries. Windows, Windows Server, Windows Vista, Excel, and PowerPoint are registered trademarks of Microsoft Corporation in the US and/or other countries. Mac is trademark of Apple Inc., registered in the US and other countries. All other brand names and product names may be trademarks or registered trademarks of their respective owners.



MX-C300W shown with option.

Distributed by:

SHARP

SHARP CORPORATION OF AUSTRALIA PTY LTD
 ABN 40 003 039 405
 P.O. Box 84, Macquarie Park, NSW 2113
 Tel: (02) 9830 4600
 www.sharp.net.au