



# MX-C304W

A4 Colour MFD

[www.sharp.net.au](http://www.sharp.net.au)

**SHARP**

Be Original.

# Security meets flexibility.

Ensuring that your information is properly protected shouldn't compromise your ability to quickly use and share it.

With Sharp's new MX-C304W A4 colour Multifunction Device (MFD) you can enjoy the best of both worlds. They are designed to keep your valuable business information secure, but also enable flexible workflows – providing exceptional ease-of-use, simple connectivity and effortless mobility to optimise workforce efficiency. These capabilities, along with their proven reliability and value, led to Sharp receiving the prestigious Buyers Lab Copier MFP Line of the Year Award.



Their compact design and extensive feature set also mean they offer the convenience of a desktop machine combined with the enterprise-class performance of an A3 MFD. It makes them the ideal choice for workgroups in small & medium businesses (SMBs) or for larger organisations who want an easy way to increase productivity in any busy office environment.

## Get more done – faster

With an output speed of 30ppm in colour and mono you get an instant productivity boost. Especially as the new Adobe Embedded Printer Engine (AEPE) helps to deliver up to 80% faster printing for mobile, cloud and USB. You can also save even more time thanks to their flexible paper capacity, which can be expanded from 300 up to 2,700 sheets. So there's less downtime and minimum user intervention.

And it's not just printing that's faster. You can also scan and digitise documents in duplex at speeds of up to 110 ipm. They will also scan up to 25 business cards in one go, or both sides of up to four cards. This fast document digitisation is perfect for busy environments, like reception areas, where time is short.



## Why do things the hard way? Sharp's MFDs are designed to make your life much easier

### More productive by design

The MX-C304W simplifies everyday printing, copying and scanning tasks – unlocking efficiency savings and more flexible ways of working.

A large 500GB onboard Hard Disk Drive (HDD) can store much larger and more complex documents, and everything can be quickly accessed using an efficient Document Filing system. But for the ultimate convenience Sharp's Office Direct Print technology\* lets you print whatever you want without even logging into your PC. Just walk up to your MFD, insert a USB memory stick containing images, Adobe PDFs or Microsoft® Office files and print off whatever you want. Or you can quickly scan and save documents straight to the USB stick.



Insert your USB and start printing or scanning.

You can even avoid the inconvenience of retyping essential information if you only have a hard copy. A powerful Optical Character Recognition feature lets you scan and convert documents into fully searchable PDFs and editable Microsoft® Office files (Word, PowerPoint and Excel).

Sharp's Optimised Software Solutions also help you optimise the way your work. They are designed to reduce printing and copying costs, simplify how you store and share documents, ensure flexible access on the move and streamline workflows and day-to-day management.

\* This function is enabled via DirectOffice™ technology.

### As easy as you like

It can be really frustrating when you're in a hurry and have to waste time struggling with complex technology or convoluted settings. With the MX-C304W you don't! Their intuitive operation means that even the most complex processes are made simple - Sharp also received the Buyers Lab 'Ease of Use' PaceSetter award for powerful print and scan features and easy to use interface of their devices.



They have a large 7-inch colour touchscreen LCD that you can tilt for easy viewing. Easy Mode also ensures that all of the everyday functions, like 'Scan' and 'Copy', are displayed in large, immediately accessible icons. Or, if there are other functions that are used a lot, you can simply drag and drop their icons onto your personal home screen for faster access.



Users can customise the home screen for more efficient working.

# Keep your data safer.

The loss of business information can have a devastating impact on productivity and profitability. So stringent protection is vital.

The MX-C304W includes the most advanced security and access controls. They ensure that your valuable information and intellectual property are robustly protected, avoiding any disruption to your business.

Their comprehensive layers of security provide effective protection for both your network and your data:

- **Self-healing** – a master copy of the system's operational settings are stored locally, so they can be safely recovered if there is ever a problem. It ensures that you can continue working, while also protecting your valuable information and intellectual property.
- **Instant validation** – all incoming and outgoing data communication, including OSA and email, is checked using SSL Certificate Validation to prevent any unauthorised or malicious access to your information.
- **Controlled access** – attempts to access the MFD are actively monitored and permission is only granted if the applications and operating firmware are on an approved whitelist. Any unrecognised systems are instantly blocked, logged and reported.
- **Certified security** – the embedded data security\* meets the very latest security standards of government and military offices. By conforming to the Protection Profile for Hardcopy Devices (HCD-PP v1.0) the MFDs can handle even the most sensitive data.

As a result, you can enjoy complete peace of mind knowing that your business and its data are proactively protected by the highest level of security.

\* Data security kit needed.





# Work without limits.

Being able to work anytime and anywhere is now essential to boosting productivity and profitability.

The MX-C304W provides effortless connectivity that enables you to share information quickly and securely, using mobile and cloud technologies. So you can achieve much more when you are on the move and rapidly exploit new opportunities to help grow your business.

## Effortless mobility

Built-in wireless connectivity allows any WiFi enabled laptop, tablet or smartphone to directly connect to the MFD without a wireless LAN. Using their NFC card reader and QR Code® you can link your mobile device to the MFD in seconds without any complex configuration, so you can print and scan almost instantly. You can also print from any app that supports Google Cloud Print™ or the Android™ printing framework, or use Airprint™ to quickly print web pages, photos, email and more from iOS and OS X devices without any set-up.

For even greater flexibility, their optional Dual Network Connectivity means you can share the same MFD over two different networks, one of which could be wireless, even if they have different network security settings or usage restrictions.



QR code icon can be easily set up on the home screen.

## Easier and safer data access

Accessing and printing information that's stored in public cloud services is much easier with a Single Sign On (SSO). There's no need to remember separate usernames and passwords. Just log in once and you can securely print and store information using Google Drive™, OneDrive® for Business, SharePoint® Online, Box and Dropbox. There's also a Gmail connector for scanning to email and Exchange Online (MS 365 email).

And there's less risk that important or sensitive documents will be left out in the open. With the Print Release feature you can send a job to print and then, whenever you are ready, just walk over to the most convenient printer, log on and print off your information.



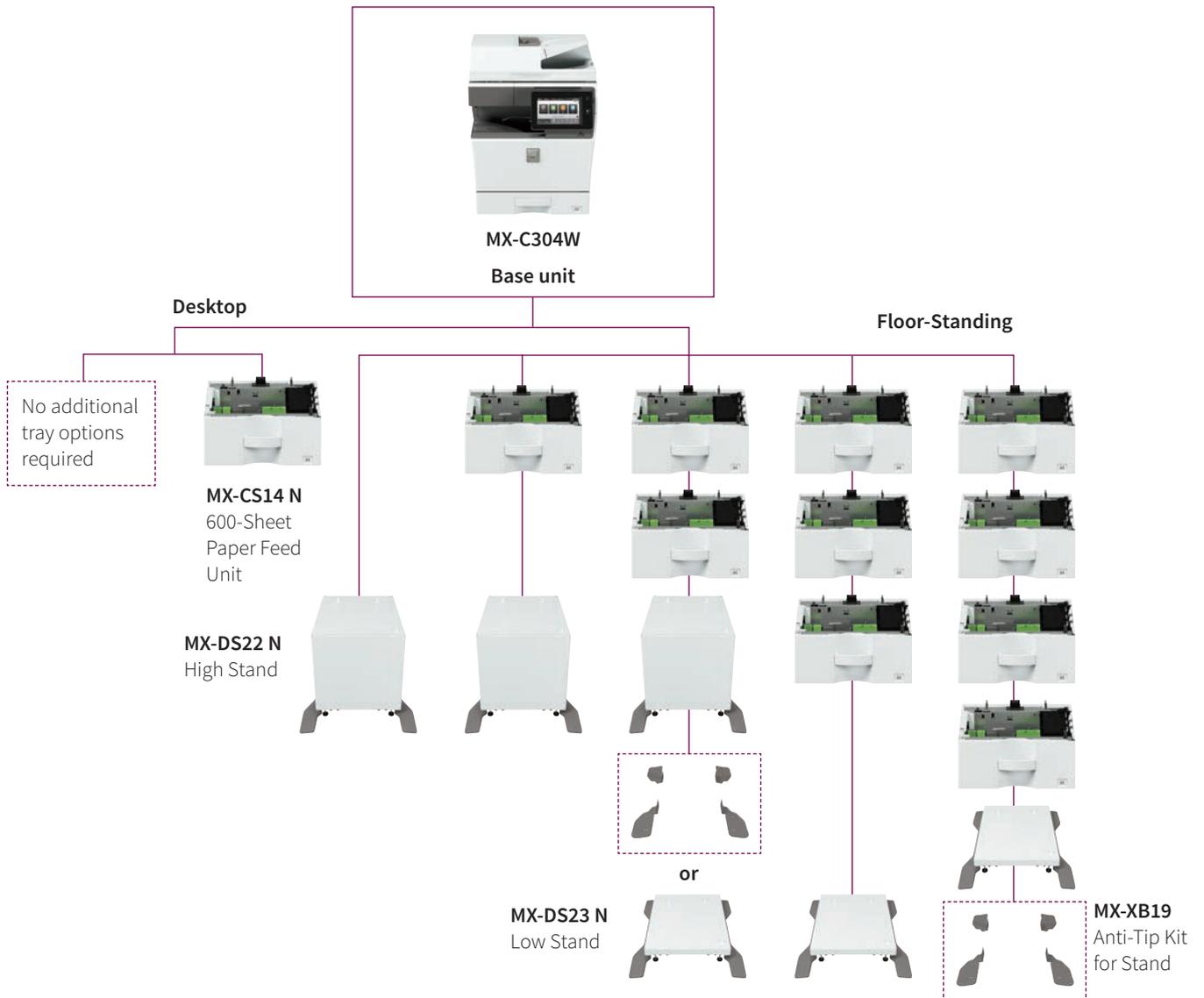
Directly connect to public cloud services.

## Simpler to manage

Just like our larger A3 MFDs, printing or receiving information directly from your business systems and cloud-based applications is made much simpler with Sharp OSA® (Open System Architecture).

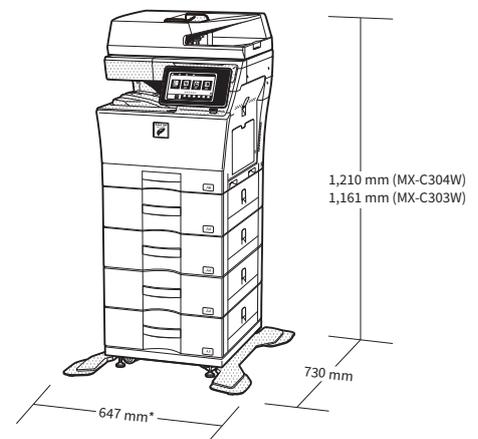
And the new Application Centre Portal also provides cloud connector apps and software updates that enable agile updating and make the MFD more adaptable.

# Configurations



# Options

- MX-PF10**  
Barcode Font Kit
- MX-FWX1**  
Internet Fax Expansion Kit
- MX-USX1/X5**  
Sharpdesk 1/5-License Kit
- MX-US10/50/A0**  
Sharpdesk 10/50/100-License Kit
- MX-AMX1**  
Application Integration Module
- MX-FR61U**  
Data Security Kit



\* 734 mm when multi bypass tray is extended.

Note: When placing the MFD on the floor, Sharp recommends placing it on an MX-DS22 N or an MX-DS23 N. Attaching two MX-CS14 N paper feed units requires either an MX-DS22 N and an MX-XB19, or an MX-DS23 N. Attaching three MX-CS14 N units requires an MX-DS23 N. Attaching four MX-CS14 N units requires an MX-DS23 N and an MX-XB19.

# Specifications

## General

<b>Engine speed</b> (ppm/cpm) (Max)	<b>A4**</b> 30
<b>Control panel display</b>	7.0-inch colour LCD touchscreen
<b>Paper size</b> (Min – Max)	A6 – A4
<b>Paper weight</b> (g/m <sup>2</sup> )	
Drawer 1	60 - 105
Drawers 2 – 5	55 - 220
Multi-bypass	55 - 220
<b>Paper capacity</b> (Std – Max)	
Sheets	300 - 2,700
Drawers	1 - 5 (plus bypass tray)
<b>Warm-up time**2, **3</b> (seconds)	47
<b>Memory</b> (GB)	
Copier/Printer (shared)	5
HDD**4	500
<b>Power requirements</b>	Rated local AC voltage $\pm 10\%$ , 50/60 Hz
<b>Power consumption</b> (kW) (Max)	1.84 (220 to 240V)
<b>Dimensions</b> (mm) (W x D x H)**5	491 x 568**6 x 565
<b>Weight</b> (kg) (approx.)	38

## Copier

<b>Original paper size</b> (Max)	A4	
<b>First copy time**7</b> (seconds)	<b>Colour</b>	<b>B/W</b>
	6.7	5.5
<b>Continuous copies</b> (Max)	9,999	
<b>Print resolution</b> (dpi)		
Scan	600 x 600, 600 x 400	
<b>Gradation levels</b>	256	
<b>Zoom range</b> (%)	25 – 400, (25 – 200 using DSPF) in 1% increments	
<b>Preset copy ratios</b> (Metric)	10 ratios (5R/5E)	

## Network Printer

<b>Resolution</b> (dpi)	600 x 600, 9600 (equivalent) x 600
<b>Interface</b>	USB 2.0, 10Base-T/100Base-TX/1000Base-T
<b>Supported OS</b>	Windows® Server 2008(R2), 2012, 2012R2, 2016, 2019, Windows® 7, 8.1, 10, Mac OS 10.6, 10.7, 10.8, 10.9, 10.10, 10.11, 10.12, 10.13, 10.14 & 10.15
<b>Network protocols</b>	TCP/IP
<b>Printing protocols</b>	LPR, Raw TCP (port 9100), POP3 (e-mail printing), HTTP, FTP for downloading print files, IPP, SMB, WSD
<b>PDL</b> (Std)	PCL 6, Genuine Adobe® PostScript®3™
<b>Available fonts</b>	80 fonts for PCL, 139 fonts for Adobe PostScript 3™

## Network Scanner

<b>Scan method</b>	Push scan (via control panel) Pull scan (TWAIN-compliant application)	
<b>Scan speed**8</b> (ipm)	<b>One-sided</b>	<b>Two-sided</b>
	70	110
<b>Resolution</b> (dpi) (Max)		
Push scan	100, 150, 200, 300, 400, 600	
Pull scan	75, 100, 150, 200, 300, 400, 600 50 to 9,600 dpi via user setting	
<b>File formats</b>	TIFF, PDF, PDF/A-1a, PDF/A-1b, encrypted PDF, compact PDF**9, JPEG**9, XPS, searchable PDF, OOXML (docx, xlxs, pptx), text (TXT), rich text (RTF)	
<b>Scan destinations</b>	Scan to e-mail, desktop**10, FTP server, network folder (SMB), USB memory	
<b>Scanner utilities</b>	Sharpdesk	

## Document Filing

<b>Document filing capacity**11</b>	<b>Pages</b>	<b>Files</b>
Main & custom folders	20,000	3,000
Quick file folder	10,000	1,000
<b>Stored jobs**12</b>	Copy, print, scan, fax transmission	
<b>Storage folders</b>	Quick file folder, main folder, custom folder (max. 1,000)	
<b>Confidential storage</b>	Password protection (for main & custom folders)	

## Fax

<b>Compression method</b>	MH/MR/MMR/JBIG
<b>Communication protocol</b>	Super G3
<b>Transmission time**13</b> (seconds)	2
<b>Modem speed</b> (bps)	33,600 – 2,400 with automatic fallback
<b>Recording width</b>	A4 – A5
<b>Memory</b> (GB)	1 (built-in)

## Wireless LAN

<b>Compliant regulation</b>	IEEE802.11n/g/b
<b>Access mode</b>	Infrastructure mode, Software AP mode
<b>Security</b>	WEP, WPA/WPA2-mixed PSK, WPA/WPA2-mixed EAP**14, WPA2 PSK, WPA2 EAP**15



\*\*1 Short-edge feeding. \*\*2 In a standard measurement environment. May vary depending on operating conditions and environment. \*\*3 When starting the MFD via the power button. 58 sec. when starting via the main power switch. \*\*4 HDD capacity depends on procurement and sourcing status. \*\*5 Including adjusters and protuberances \*\*6 588 mm when the control panel is tilted at the flattest horizontal angle. \*\*7 Short-edge feeding of A4 sheets from 1st paper tray, using document glass, without Auto Colour Selection and Auto Colour mode, MFD in fully ready condition. May vary depending on operating conditions and environment. \*\*8 Scan speed will vary depending on the type of document and the scan settings. Based on Sharp's A4 standard chart, using document feeder, short-edge feeding, and factory default settings. \*\*9 Colour/greyscale only. \*\*10 Requires optional Sharpdesk License Kit. \*\*11 Storage capacity will vary depending on the type of document and the scan settings. \*\*12 Some features require optional equipment. \*\*13 Based on Sharp's standard chart with approx. 700 characters (A4 short-edge feeding) at standard resolution in Super G3 mode, 33,600 bps, JBIG compression. \*\*14 Not applicable to Software AP mode.

Design and specifications are subject to change without prior notice. All information was correct at time of print. Microsoft, Windows Server, and Windows are either registered trademarks or trademarks of Microsoft Corporation in the US and/or other countries. Adobe and PostScript 3 are either registered trademarks or trademarks of Adobe Systems Incorporated in the US and/or other countries. QR Code is a registered trademark of DENSO WAVE INCORPORATED in Japan and other countries. Gmail and Android are trademarks of Google LLC. Mac is a trademark of Apple Inc., registered in the US and other countries. PCL is a registered trademark of Hewlett-Packard Company. Qualcomm DirectOffice is a product of Qualcomm Technologies, Inc. and/or its subsidiaries. Qualcomm is a trademark of Qualcomm Incorporated, registered in the US and other countries. DirectOffice is a trademark of CSR Imaging US, LP, registered in the US and other countries. All other company names, product names and logos are trademarks or registered trademarks of their respective owners. ©Sharp Corporation. All trademarks acknowledged. E&OE.

# SHARP

Be Original.

Distributed by:

**SHARP CORPORATION OF AUSTRALIA PTY LTD**

ABN 40 003 039 405

P.O. Box 84, Macquarie Park, NSW, 2113

Tel: (02) 9830 4600

www.sharp.net.au

©SHARP CORPORATION (FEBRUARY 2020)