



MSDs reduction

Glys®

The clever ergonomic table



Easily moved • Innovative base • Adjustable height to suit everyone

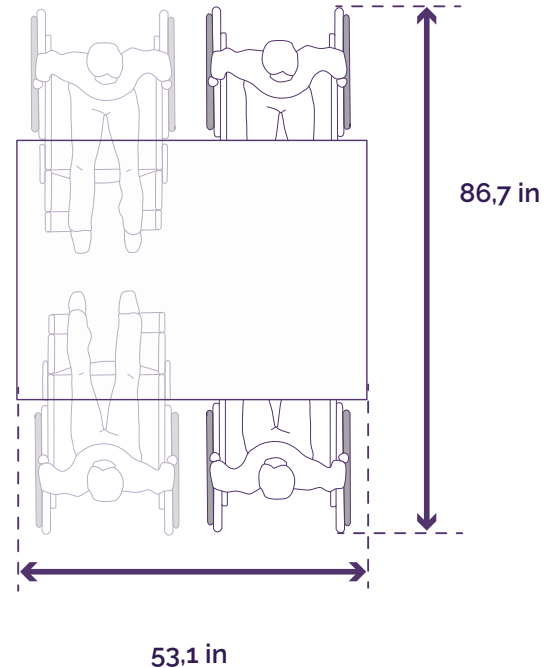
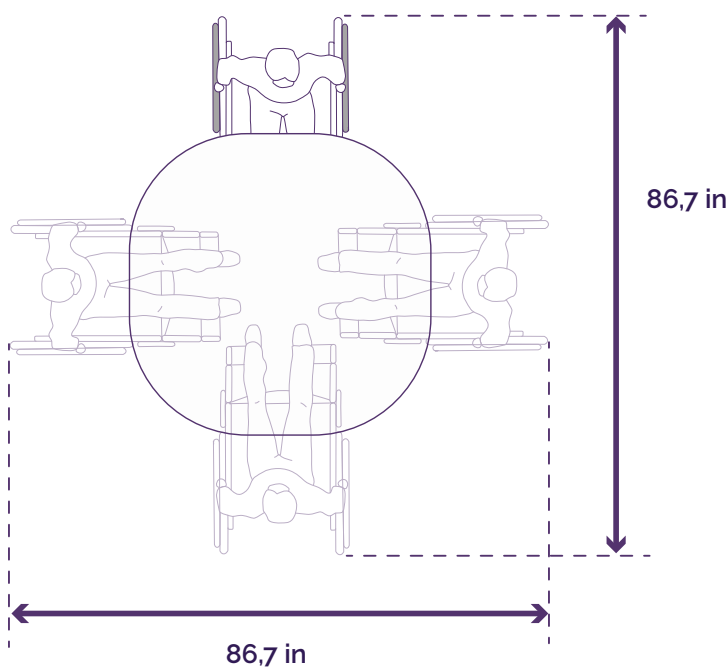
Making life easier for both the elderly and caregivers.

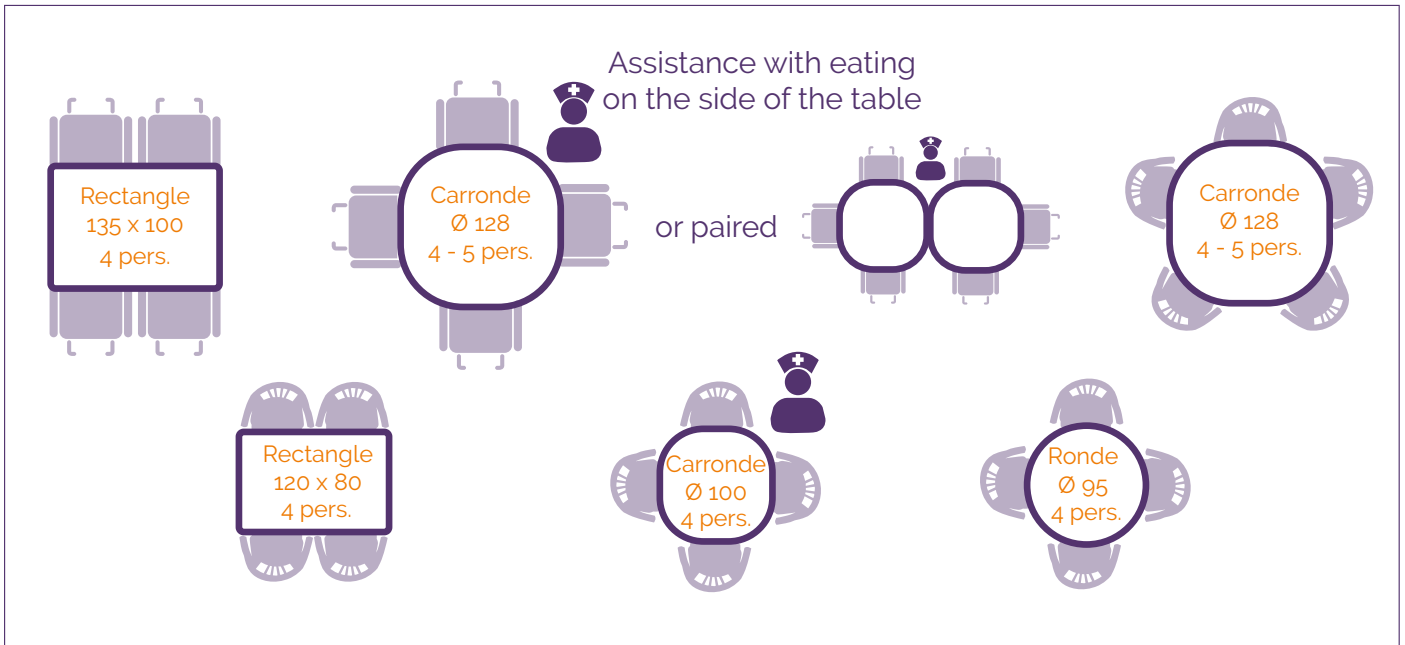
Thanks to **its ingenious base** that guarantees stability and easy movement, Glys® moves easily, without forcing, wherever you want.



Small size, adaptable for all, adjustable height

- Easily and **effortlessly moved**
- Innovative base, "moving" mode (unlock) and "mealtime" mode (lock) can be easily activated by foot
- **Height adjustable** to suit everyone
- Wheels designed for day-to-day use and for daily **cleaning**
- 5 different top shapes and dimensions according to your needs





Ergonomic – MSDs reduction

Save time and easily reorganize areas (e.g. for mealtimes, adaptive treatment and activity centers, cleaning times), reducing the physical effort involved for caregivers and drastically reducing MSDs.



Central button to adjust the height



Foot-operated lock release



Easily moved by pushing

Top : available colors



Fushia



Saffron



Lilac



Birch



Oak



Walnut



Adjustable height



Easily moved



Low profile base



3 different shapes and sizes

Technical features

Fixed column height : 28.86in / Height adjustment : 20.67 - 31.2in

Available tops:
CARRONDE 39
 Dimensions: 35.1 x 35.1 in

CARRONDE 46,8
 Dimensions: 46.8 x 46.8 in

RONDE 37,5
 Diameter 37,5 in

RECTANGLE 46,8
 Dimensions: 46.8 x 31.4 in

RECTANGLE 53,1
 Dimensions: 53.1 x 39 in