

Personalized care



Oxalys®

*The table with a thousand and one uses*



Adjustable height

Large, functional top • Adjustable height and angle • Easy daily cleaning

## Designed to suit everyone



Accommodates oversized chairs



Reduced overall space for storage



Double-roller casters available

## For every activity: meals, games, reading, and more

Thanks to its movable column and **U-shaped base**, **Oxalys® can be used with wheelchairs**, and allows residents to take full advantage of its large top at all times during the day. The height and angle of the top are adjustable to meet the needs of every activity (meals, games, or just relaxing).

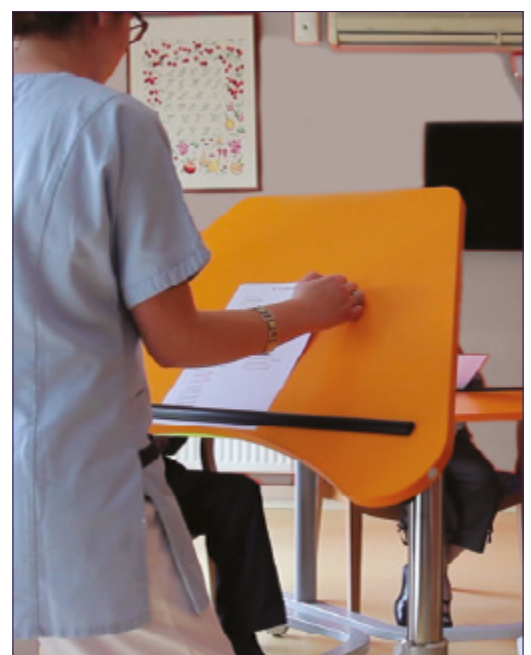
**Adjustment** is easy, using a lever to adjust height, and a handle to lock the desired angle of the top.

Our **casters** have been selected to meet your requirements: **easily moved, vibration-proof**, protected from dust and hair, sealed, with an integrated foot-operated brake.

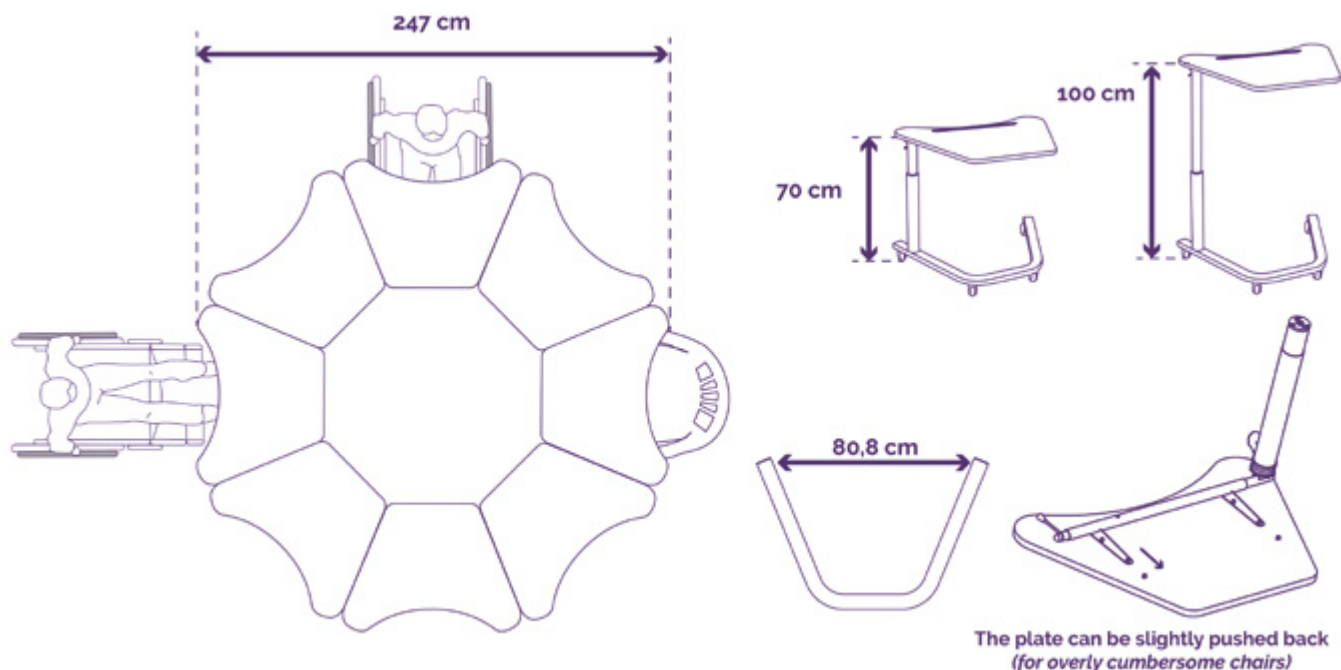
The **magnetic strip** on the top is easily removed for daily cleaning.



Magnetic strip/desk position



## Increased autonomy



The table's off-center column provides enhanced comfort. It can be used by individuals (in-room) or in groups, for personal use (reading for example) or for shared activities (e.g. meals, games). The shape of the top has been designed so that tables can be arranged in an octagonal form, allowing for activities that include up to 7 residents and a caregiver.



## Top : available colors



Fushia



Paprika



Saffron



Kiwi



Sky blue



Oak



Walnut



Sturdy laminated top



Innovative base



Easy cleaning



Easily adjustable height and angle of top

### Technical features

Height: 35,04in  
Depth: 24,4in  
Adjustable height: 28,35/40,16in

Find more information about our solutions: [YouTube](#) [domalys.com](#)