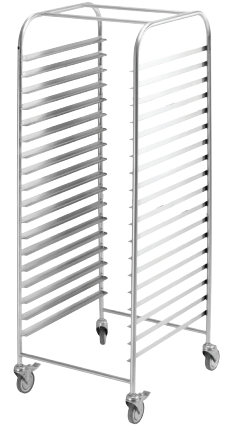
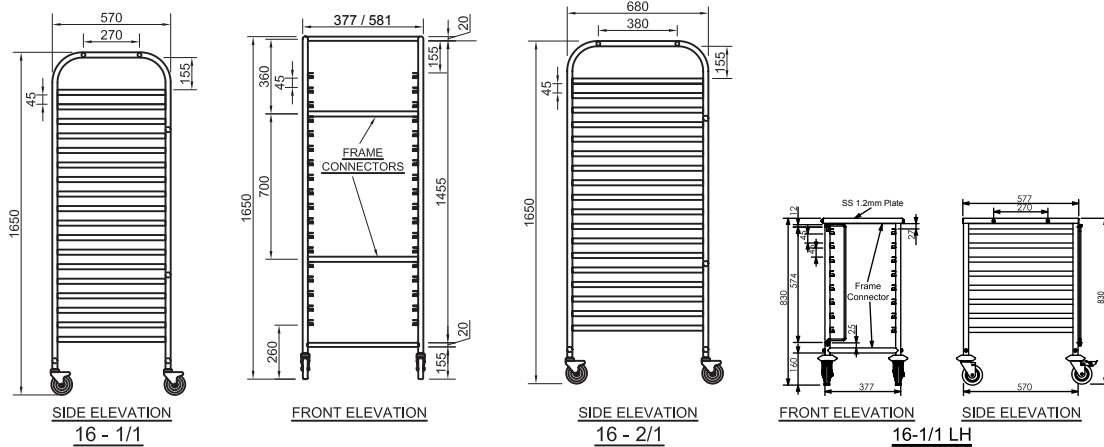


Product Information:

- 25mm x 20mm, 1.2mm thick U-shaped stainless steel tray runners with end stops
- 25mm diameter stainless steel tube frames
- 100mm diameter castors, all swivel, 2 with brake
- Designed to accept 18 x 2/1 or 1/1 65mm deep gastronorm trays. Not designed for bakers racks or 25mm deep trays
- Supplied flat packed ready for assembly



General Drawing:



Specifications:

SS16.2/1	581mm x 680mm x 1650mm
SS16.1/1	377mm x 570mm x 1650mm
SS16.1/1.LH	395mm x 577mm x 830mm