

ADANDE INSTALLATION GUIDELINES

Read these instructions carefully and retain for future reference.



Information

- Optimum performance is obtained at ambient temperatures between +16°C and +38°C
- The room should be dry and sufficiently ventilated
- The Adande® unit should be installed and maintained on a flat, clean and level surface to ensure correct operation
- The front of the unit should be 0 to 5mm higher than the rear of the unit. This ensures drainage runs freely to the condensate pan
- The Adande unit should never be fixed in place, as it needs access to the side, rear and the top if future servicing is needed.
- Adande units cannot sit directly onto the floor without rollers, castors or legs, if on a plinth they must be on plinth slides
- Hard-wired, gas and plumbed equipment cannot be directly installed onto the Adande unit. This equipment must be installed above the Adande unit using an independent equipment stand
- Adande units can sit flush against cooking equipment. For cooking equipment with open flames, the Adande unit must sit below the base of the Trivet
- The heat shield on an Adande unit is rated to a maximum of 200°C
- VCC (compact) units cannot be plinth mounted
- Plinth mounted VCR (Rear engine) units expel air three ways from the rear corner of the unit; the back, the side, and underneath. One of those areas must remain clear. If built in to a confined area, the unit must be either on rollers, castors or legs for the air to expel underneath. There must be 50mm clearance to one of these sides for ventilation
- If the unit is mounted on castors, the front two castors should have their brakes ON during normal use. Levels can be adjusted using the supplied spacers (refer over the page for further instructions)
- If the unit is mounted on rollers, the stabilising feet should be wound down firmly to the floor. Levels can be adjusted using the stabilising feet
- Ensure that no obstructions are placed directly in front of the air outlet grille

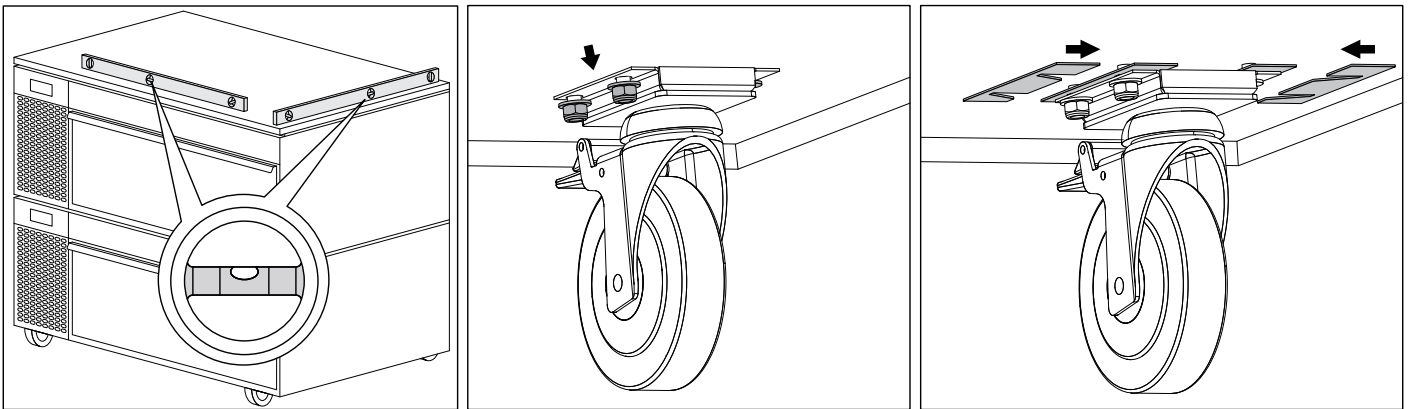
ADANDE INSTALLATION GUIDELINES

Read these instructions carefully and retain for future reference.

Spacer Installation (Caster models only)

Adande units should only be installed/used on a level surface (a small amount of adjustment may be required to the unit height). If adjustment is required follow the below steps:

1. Check the unit is sitting level
2. Raise the Adande unit and place blocks underneath to support the weight
3. On the side where the unit needs to be raised, loosen the four castor/roller nuts (do not fully remove the nuts)
4. Slide the metal spacers between the castor/roller and the unit
5. Tighten the four nuts
6. Repeat to each castor as required
7. Check the unit is sitting level



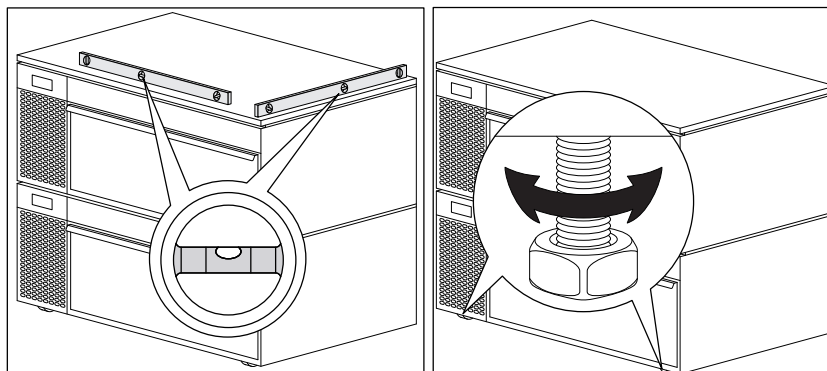
Note:

- Each Spacer adds 1.5mm to the finished height of the unit. Spacers are not suitable for the VCC Compact units
- Maximum raised height per castor is 4.5mm

Height Adjustment (Roller models only)

Adande units should only be installed/used on a level surface (a small amount of adjustment may be required to the unit height). If adjustment is required follow the below steps:

1. Check the unit is sitting level
2. Lower the feet to raise the level of the unit
3. Check the unit is sitting level, adjust further if required



Note: To move the Adande unit, the adjustable foot will need to be raised.