

# Wash Basin Secure Round - Conical Shroud

**Model: SPPL.WB.SR2.C**

SPPL = Stoddart Plumbing Product

WB = Wash Basin

SR2 = Security Round

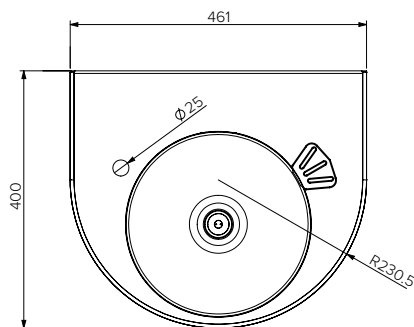
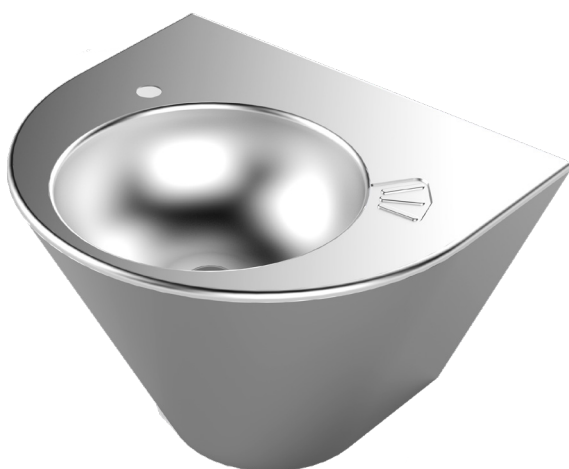
C = Conical Shroud

eg.: for specification and ordering quote

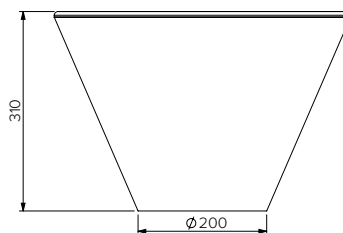
Code: SPPL.WB.SR2.C

**Features and Benefits:**

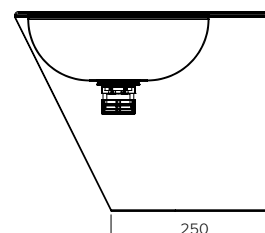
- Semicircular shroud with rolled front edge for user safety
- Vandal resistant, fully welded construction with secure access panel
- Designed to enable access for people with disabilities
- The basin comes ready to install with simple bracket system to minimise site work time
- All optional tapware are WELS and Watermark approved
- 316 grade variation is available as an optional extra



Plan View



Front View



End View

**Specifications:**

Construction: **Fully welded seamless 2mm thick, 304 grade stainless steel construction, no.4 satin finish**

Water Connection: 15mm (1/2" BSP)

Waste Connection: 40mm PVC waste supplied (Trap by others)

Unit Fixing: The unit is supplied with a wall mounting bracket with 10mm fixing holes. Recommended fixing height from basin top to finished floor level is 800 - 830mm.

Model No.	L x D x H (mm)
SPPL.WB.SR2.C	460 x 400 x 310

**Sold Separately**

Tapware Options:



Due to continuous product research and development, the information contained herein is subject to change without notice.

Revision: A - 11/06/2021

www.stoddart.com.au

www.stoddart.co.nz