



Item # _____

Job _____



POLYMER UTILITY CARTS: BC SERIES/DEEP LEDGE SERIES

Metro's BC Series and Deep Ledge Series Utility Carts are designed for a wide variety of applications.

- **Ultimate Cleanability:** Smooth surfaces are designed to resist staining and wipe clean easily.
- **Corrosion-Proof Shelves:** All-polymer shelf will never corrode.
- **Contains Spills:** BC Series shelves feature a 1/2" (13mm) raised ship's edge design; Deep Ledge Series shelves feature a deeper 2 3/4" (70mm) ledge to contain product or spills.
- **Available in Five Standard Colors:** Gray, blue, berry, black, and slate blue. Slate blue contains ***Microban® product protection**. Microban product protection inhibits the growth of bacteria, mold, mildew, and fungi that cause odors, stains, and product degradation. (See models ending in "-MB").
- **Attractive Aesthetics** allow for use in a variety of applications.
- **Sturdy Construction:** Each shelf can hold up to 150 lbs. (68kg); each unit can hold up to 400 lbs. (181kg).
- **Easy-to-Adjust:** Optional center shelf adjusts on 1" (25mm) increments.
- **Ergonomic Handle** designed for easy use.
- **Easy, No-Tool Assembly:** Ships knocked down.
- **4-Tier "High Profile" Models** in gray now available in BC Series and Deep Ledge styles.



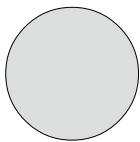
Deep Ledge Cart (3-Tier)



BC Cart (3-Tier)



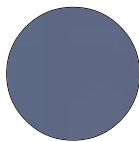
High-Profile Deep Ledge Cart



Gray (-G)



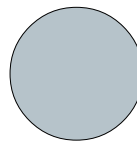
Berry (-BY)



Blue (-BU)



Black (-BL)



Microban product protection in Slate Blue color (-MB)

*MICROBAN® and the MICROBAN® symbol are registered trademarks of the Microban Products Company, Huntersville, NC.



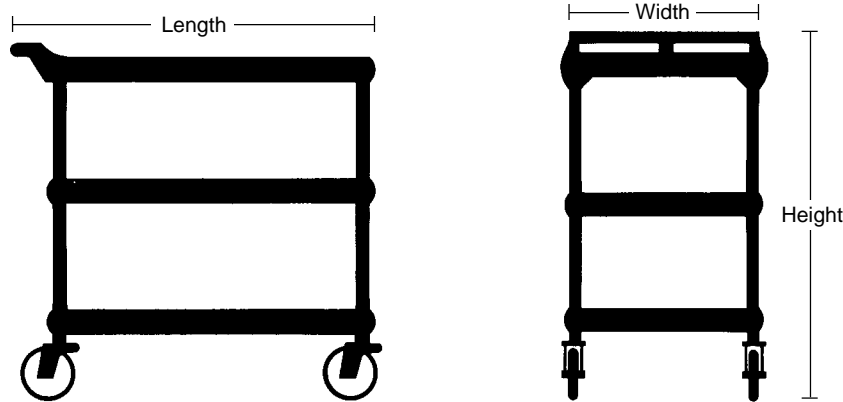
Stoddart
39 Forest Way
Karawatha, QLD 4117
1300 79 1954
www.stoddart.com.au



POLYMER UTILITY CARTS: BC SERIES/DEEP LEDGE SERIES

Specifications for BC Series and Deep Ledge

Cart, Utility, consisting of at least 2 polyurethane, injection-molded shelves and 4 chrome-plated posts. 2-shelf cart design is such that user may add an intermediate shelf and enclosure panels if deemed necessary. Cart will roll on four (4) 4" (102mm) diameter thermoplastic, mark-resistant swivel/stem casters. Cart rated at 150 lbs. (68kg) per shelf, 400 lbs. (181kg) per unit.



BC Series Carts

Cart is available in 2-shelf, 3-shelf, and 3-shelf with enclosure panels. Enclosed models are available in Gray and Blue.

| Cat. No.* | Width/Length/Height | | Description | Approx. Pkd. Wt. | |
|-------------|--|--------------|--------------------------------|--------------------------------|------|
| | (in.) | (mm) | | (lbs.) | (kg) |
| BC1627-24 | 18x28x33 ¹ / ₄ | 457x710x845 | 2-shelf unit | 27 ¹ / ₂ | 12.4 |
| BC1627-34 | 18x28x33 ¹ / ₄ | 457x710x845 | 3-shelf unit | 33 | 14.9 |
| BCE1627-34 | 18x28x33 ¹ / ₄ | 457x710x845 | 3-shelf enclosed end unit | 39 | 17.6 |
| BC3E1627-34 | 18x28x33 ¹ / ₄ | 457x710x845 | 3-shelf, 3-sided enclosed unit | 42 ¹ / ₂ | 19.3 |
| BC2030-24 | 21 ¹ / ₂ x33 ³ / ₄ x33 ¹ / ₄ | 546x857x845 | 2-shelf unit | 34 ¹ / ₂ | 15.6 |
| BC2030-34 | 21 ¹ / ₂ x33 ³ / ₄ x33 ¹ / ₄ | 546x857x845 | 3-shelf unit | 43 | 19.5 |
| BCE2030-34 | 21 ¹ / ₂ x33 ³ / ₄ x33 ¹ / ₄ | 546x857x845 | 3-shelf enclosed end unit | 49 ³ / ₄ | 22.5 |
| BC3E2030-34 | 21 ¹ / ₂ x33 ³ / ₄ x33 ¹ / ₄ | 546x857x845 | 3-shelf, 3-sided enclosed unit | 50 ¹ / ₂ | 22.9 |
| BC2636-24 | 27x39 ¹ / ₂ x33 ¹ / ₄ | 686x1003x845 | 2-shelf unit | 40 ¹ / ₂ | 18.3 |
| BC2636-34 | 27x39 ¹ / ₂ x33 ¹ / ₄ | 686x1003x845 | 3-shelf unit | 52 | 23.5 |
| BCE2636-34 | 27x39 ¹ / ₂ x33 ¹ / ₄ | 686x1003x845 | 3-shelf enclosed end unit | 50 | 22.6 |
| BC3E2636-34 | 27x39 ¹ / ₂ x33 ¹ / ₄ | 686x1003x845 | 3-shelf, 3-sided enclosed unit | 53 ¹ / ₂ | 24.2 |



Cart is available in 2-shelf, 3-shelf, and 3-shelf with enclosure panels. *Colors available are: Gray (G), Blue (BU), Berry (BY), and Black (BL). Enclosure panels available in Gray (G) and Blue (BU) only.
*Add color designation to part number when specifying, i.e.: BC1627-34**G** = Three-shelf Gray unit.

BC Carts with Microban® Product Protection (Slate blue color only)

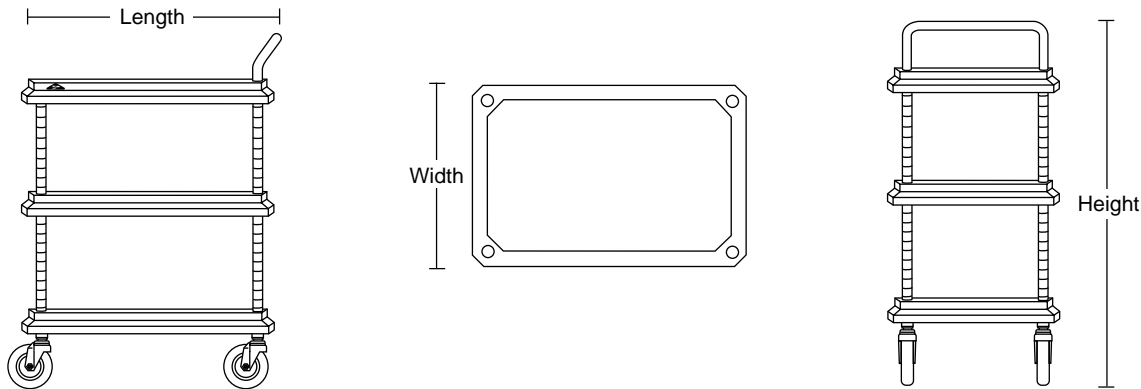
| Cat. No. | Description | Width/Length/Height | | Approx. Pkd. Wt. | |
|-------------|--------------|--|-------------|--------------------------------|------|
| | | (in.) | (mm) | (lbs.) | (kg) |
| BC1627-24MB | 2-Shelf Unit | 18x28x33 ¹ / ₄ | 457x711x845 | 27 ¹ / ₂ | 12.4 |
| BC1627-34MB | 3-Shelf Unit | 18x28x33 ¹ / ₄ | 457x711x845 | 33 | 14.9 |
| BC2030-24MB | 2-Shelf Unit | 21 ¹ / ₂ x33 ³ / ₄ x33 ¹ / ₄ | 546x857x845 | 34 ¹ / ₂ | 15.6 |
| BC2030-34MB | 3-Shelf Unit | 21 ¹ / ₂ x33 ³ / ₄ x33 ¹ / ₄ | 546x857x845 | 43 | 19.5 |

Additional Intermediate Shelves

| Cat. No.* | Width/Length | | Approx. Pkd. Wt. | |
|------------|--|---------|------------------|------|
| | (in.) | (mm) | (lbs.) | (kg) |
| **BC1627-F | 18x27 ³ / ₈ | 457x695 | 9 | 4.1 |
| **BC2030-F | 21 ¹ / ₂ x31 ¹ / ₂ | 546x800 | 9.5 | 4.3 |
| BC2636-F | 27x37 ⁵ / ₁₆ | 686x948 | 12 | 5.5 |

*Colors available are: Gray (G), Blue (BU), Berry (BY), and Black (BL).
Add color designation to part number when specifying, i.e.: BC1627-F**BL** = Black Intermediate BC Shelf.
Additional shelves for carts with Microban product protection are available. Add designation (-MB**).

POLYMER UTILITY CARTS: BC SERIES/DEEP LEDGE SERIES



Deep Ledge Series Carts

Cart is available in 2-shelf and 3-shelf models.

| Cat. No.* | Description | Width/Length/Height | | Approx. Pkd. Wt. | |
|-----------|--------------|--|--------------|--------------------------------|------|
| | | (in.) | (mm) | (lbs.) | (kg) |
| BC2030-2D | 2-shelf unit | 21 ¹ / ₂ x32 ³ / ₄ x41 | 546x831x1041 | 29 | 31.1 |
| BC2030-3D | 3-shelf unit | 21 ¹ / ₂ x32 ³ / ₄ x41 | 546x831x1041 | 37 ¹ / ₂ | 17.0 |
| BC2636-2D | 2-shelf unit | 27x38 ³ / ₄ x41 | 685x984x1041 | 35 | 15.9 |
| BC2636-3D | 3-shelf unit | 27x38 ³ / ₄ x41 | 685x984x1041 | 46 ¹ / ₂ | 21.1 |

Colors available are: Gray (G), Blue (BU), Berry (BY), and Black (BL).

*Add color designation to part number when specifying, i.e.: BC2030-3D**G** = Three-shelf deep ledge cart in Gray.

Note: Models feature (4) 4" (102mm) diameter swivel casters.



Deep Ledge Utility Cart

Deep Ledge Carts with Microban® Product Protection

(Slate blue color only)

| Cat. No. | Description | Width/Length/Height | | Approx. Pkd. Wt. | |
|-------------|--------------|--|--------------|--------------------------------|------|
| | | (in.) | (mm) | (lbs.) | (kg) |
| BC2030-2DMB | 2-Shelf Unit | 21 ¹ / ₂ x32 ³ / ₄ x41 | 546x832x1041 | 29 | 13.1 |
| BC2030-3DMB | 3-Shelf Unit | 21 ¹ / ₂ x32 ³ / ₄ x41 | 546x832x1041 | 37 ¹ / ₂ | 17.0 |

Note: Models feature (4) 4" (102mm) diameter swivel casters.

Additional Intermediate Shelves

| Cat. No.* | Width/Length | | Approx. Pkd. Wt. | |
|------------|------------------------------------|---------|------------------|------|
| | (in.) | (mm) | (lbs.) | (kg) |
| **BC2030D- | 21 ¹ / ₂ x32 | 546x813 | 8.5 | 3.9 |
| BC2636D- | 27x38 | 686x965 | 11.5 | 5.2 |

*Colors available are: Gray (G), Blue (BU), Berry (BY), and Black (BL). Add color designation to part number when specifying, i.e.: BC2030D-**G** = 20"x30" Gray Intermediate Deep Ledge Shelf.

Additional shelves for carts with Microban product protection are available. Add designation (-MB**).



High-Profile Deep Ledge Cart

High-Profile BC and Deep Ledge Carts

Ultra versatile . . . ultimate value in a utility cart!

- **Weight Capacities:** High-Profile carts with 5" (127mm) casters are rated at 150 lbs. (68kg) per shelf, 500 lbs. (226kg) per cart.
- 4-tier units
- Units roll on (2) 5" (127mm) swivel and (2) 5" (127mm) swivel/brake casters.

| Cat. No. | Shelf Type | Width/Length/Height | | Approx. Pkd. Wt. | |
|------------|-------------------|--|--------------|------------------|------|
| | | (in.) | (mm) | (lbs.) | (kg) |
| BC2030-4DG | Deep Ledge (gray) | 21 ¹ / ₂ x32x60 | 546x813x1500 | 60 | 27 |
| BC2030-45G | BC Series (gray) | 21 ¹ / ₂ x31 ¹ / ₂ x60 | 546x800x1500 | 60 | 27 |

Job _____



POLYMER UTILITY CARTS: BC SERIES/DEEP LEDGE SERIES

Accessories

Wastebasket and Utility Bin (with Holders)



Three-Shelf BC Series Enclosed Cart with Wastebasket and Utility Bin Accessories



Three-Shelf Deep Ledge Series Cart with Wastebasket and Utility Bin Accessories

| Cat. No. | Description | Fits Cart | Width/Height/Depth | | Approx. Pkd. Wt. | |
|----------|---|------------------------|--|-------------|------------------|------|
| | | | (in.) | (mm) | (lbs.) | (kg) |
| BCWB1 | Wastebasket (including holder) for BC Series | BC1627 | 17 ³ / ₈ x27 ¹ / ₂ x13 ¹ / ₄ | 440x700x337 | 5.5 | 2.5 |
| BCWB2 | Wastebasket (including holder) for BC Series | BC2030 | 21 ¹ / ₄ x27 ¹ / ₂ x13 ¹ / ₄ | 540x700x337 | 8.0 | 3.8 |
| BCWB2D | Wastebasket (including holder) for Deep Ledge | BC2030-D | 21 ¹ / ₄ x27 ¹ / ₂ x13 ¹ / ₄ | 540x700x337 | 8.0 | 3.8 |
| BCUB1 | Utility Bin (including holder) for BC Series | BC1627 | 17 ¹ / ₂ x7 ³ / ₄ x14 ¹ / ₂ | 445x197x368 | 3.8 | 1.7 |
| BCUB2 | Utility Bin (including holder) for BC Series | BC2030 | 21 ¹ / ₄ x7 ³ / ₄ x14 ¹ / ₂ | 540x197x368 | 6.0 | 2.7 |
| BCUB2D | Utility Bin (including holder) for Deep Ledge | BC2030-D | 21 ¹ / ₄ x7 ³ / ₄ x14 ¹ / ₂ | 540x197x368 | 6.0 | 2.7 |
| MF222 | Wastebasket Only | BC & Deep Ledge Series | 14 ³ / ₈ x15 ³ / ₈ x10 ³ / ₈ | 365x391x264 | 2.8 | 1.3 |
| UB1 | Utility Bin Only | BC & Deep Ledge Series | 16 ³ / ₈ x6x11 | 416x152x279 | 2.0 | .9 |

Enclosure Kits

Available for BC Series only.

- End-enclosed and 3-sided enclosed styles available.
- Must be used with 3-tier models.
- Available for all 3 BC shelf sizes: 1627, 2030, and 2636.
- Available in Gray (G) and Blue (BU).
- **End Enclosure Kits includes:**
 - 16" x 27" (406 x 686mm) 4 single piece panels
 - 20" x 30" (508 x 762mm) 8 corner extrusions, 4 end panels
- **3-Sided Enclosure Kits includes:**
 - 4 front support extrusions, 4 rear support extrusions
 - 4 end panels, and 2 rear panels.



Three-Shelf Cart with Three-Sided Enclosure

End Enclosures for Three-Shelf Models

| Cat. No.* | Fits Cart | Width/Height/Depth | | Approx. Pkd. Wt. | |
|-----------|-----------|--|------------|------------------|------|
| | | (in.) | (mm) | (lbs.) | (kg) |
| BCE16 | BC1627-34 | 1 ¹ / ₂ x11x16 | 38x280x420 | 6 | 2.7 |
| BCE20 | BC2030-34 | 1 ¹ / ₂ x11x19 ¹ / ₂ | 38x280x495 | 8.7 | 4.0 |
| BCE26 | BC2636-34 | 1 ¹ / ₂ x11x25 ¹ / ₂ | 38x280x648 | 11.3 | 5.1 |

Colors available are: Gray (G) and Blue (BU).
 *Add color designation to part number when specifying, i.e.: BCE16G = Gray kit.
 Note: Dimensions listed for End Enclosure Kit are for one panel, kit includes four panels to enclose one complete unit.

Three-Sided Enclosures for Three-Shelf Models

| Cat. No.* | Fits Cart | Width/Height/Depth | | Approx. Pkd. Wt. | |
|-----------|-----------|---|-------------|------------------|------|
| | | (in.) | (mm) | (lbs.) | (kg) |
| BC3E16 | BC1627-34 | 25 ¹ / ₂ x11x16 | 468x280x420 | 9.4 | 4.2 |
| BC3E20 | BC2030-34 | 19 ¹ / ₂ x11x19 ¹ / ₂ | 495x280x495 | 9.5 | 4.3 |
| BC3E26 | BC2636-34 | 38 ¹ / ₂ x11x25 ¹ / ₂ | 978x280x648 | 16.2 | 7.3 |

Colors available are: Gray (G) and Blue (BU).
 *Add color designation to part number when specifying, i.e.: BC3E16G = Gray kit.

Specifications

Bin — ABS thermoplastic
 Wastebasket — polyethylene
 Enclosures — High-impact polystyrene

All Metro Catalog Sheets are available on our Web Site: www.metro.com

Stoddart
 39 Forest Way
 Karawatha, QLD 4117
 1300 79 1954
www.stoddart.com.au

