

## BASINS

### Hand Wash Basin

---

Stoddart designed and introduced the easy mount, single piece, stainless steel bracket on the Hand Wash Basin to make Stoddart the first choice for strength and easy installation.

Stoddart used a large, deep drawn, recessed bowl to reduce splashing and spillage. The bowl has a sizeable front fascia to provide better aesthetics and rigidity.



#### Models:

##### SPPL.WB.H1.300.xx

Code explanation:

SPPL = Standard Product Plumbing

WB = Wash basin

H1 = Hand wash basin

300 = 300mm splashback

xx = TV - tempering valve

= TMVE - thermostatic mixing valve

eg.: for specification and ordering

SPPL.WB.H1.300.CMPL.0984

#### Tapware Alternatives:



CMPL.0984



CMPL.0985



CMPL.0965



CMPL.0964



CMPL.0624



CMPL.0981



CMPL.1006

#### Features and Benefits:

- Large and deep bowl with recessed inner bowl provides extra capacity and minimises splashing.
- Sturdy stainless steel construction for life-long service in public amenities and schools.
- Easy mount single piece bracket has multiple fixing holes for quick installation by plumber.
- Optional tapware can be ordered with unit.
- All optional tapware are WELS and Watermark approved.
- Approved design for use in government schools.



Proudly Manufactured  
in Australia

Due to product research and development, the information contained herein is subject to change without notification

Data Sheet Revision Date 17/02/2016

#### Manufactured by:

Tom Stoddart Pty Ltd. ABN 16 009690251  
39 Forest Way, Karawatha 4117, Queensland Australia

**Specifications:**

**Construction:** Deep drawn S/S basin.  
 2mm 409 S/S brackets.

**Waste Connection:** 40mm PVC waste supplied (Trap by others).

**Unit Fixing:** Unit is supplied with stainless steel wall mounting bracket with 10mm fixing holes.

**Models:**
**SPPL.WB.H1.300.xx**

Code explanation:

SPPL = Standard Product Plumbing

WB = Wash basin

H1 = Hand wash basin

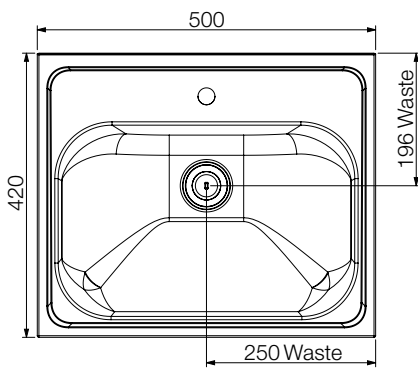
300 = 300mm splashback

xx = TV - tempering valve

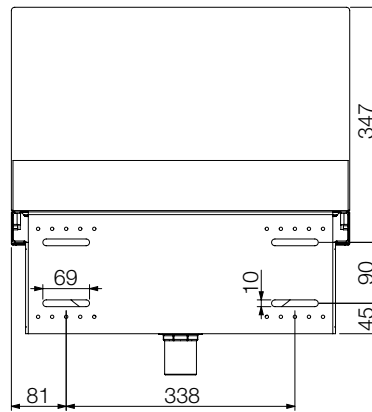
= TMVE - thermostatic mixing valve

eg.: for specification and ordering

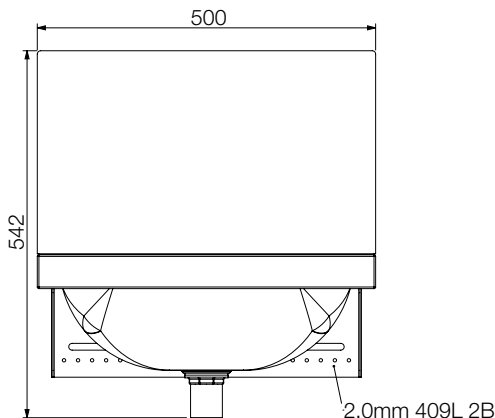
SPPL.WB.H1.300.xx

**Tapware Alternatives:**


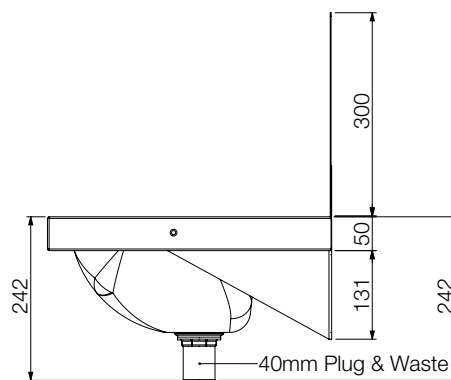
PLAN VIEW



REAR VIEW



FRONT VIEW



END VIEW

Model No.	Width (mm)	Length (mm)	Height (mm)
SPPL.WB.H1.300.xx	420	500	476