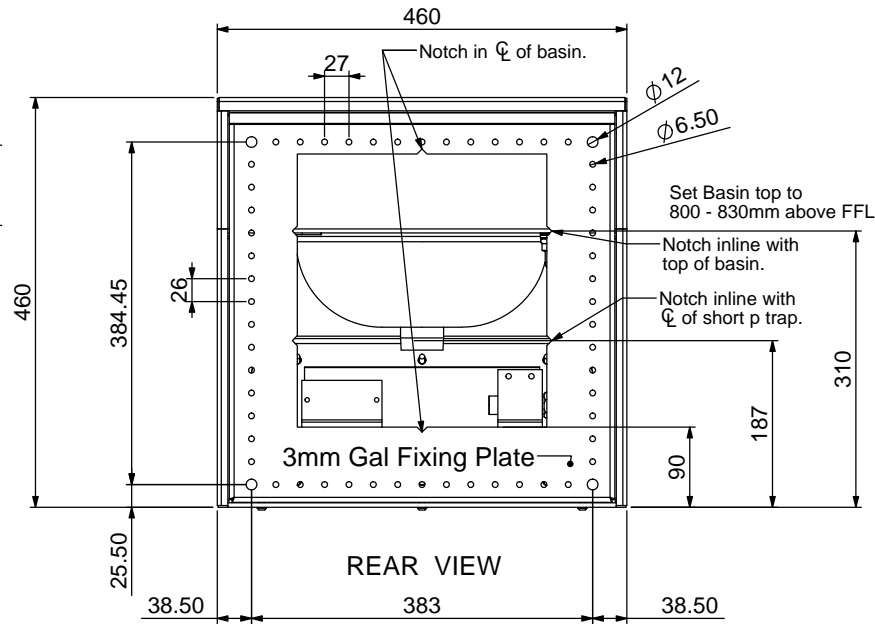
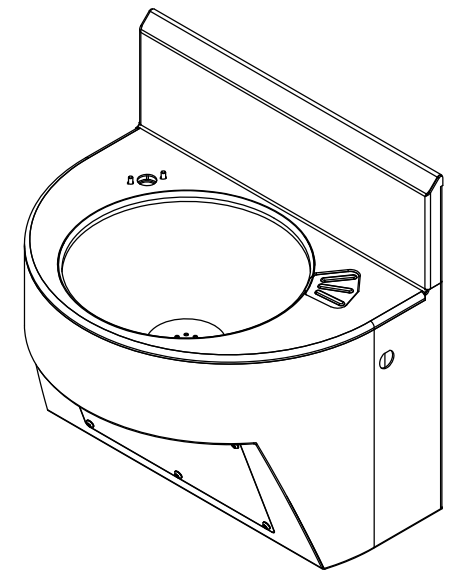


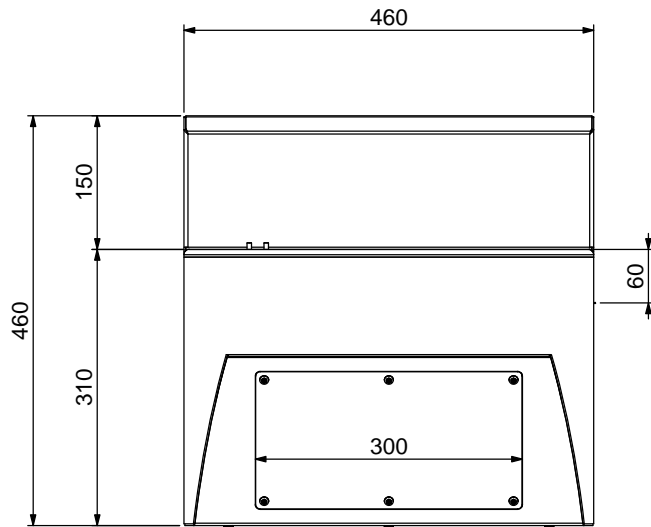
PLAN VIEW



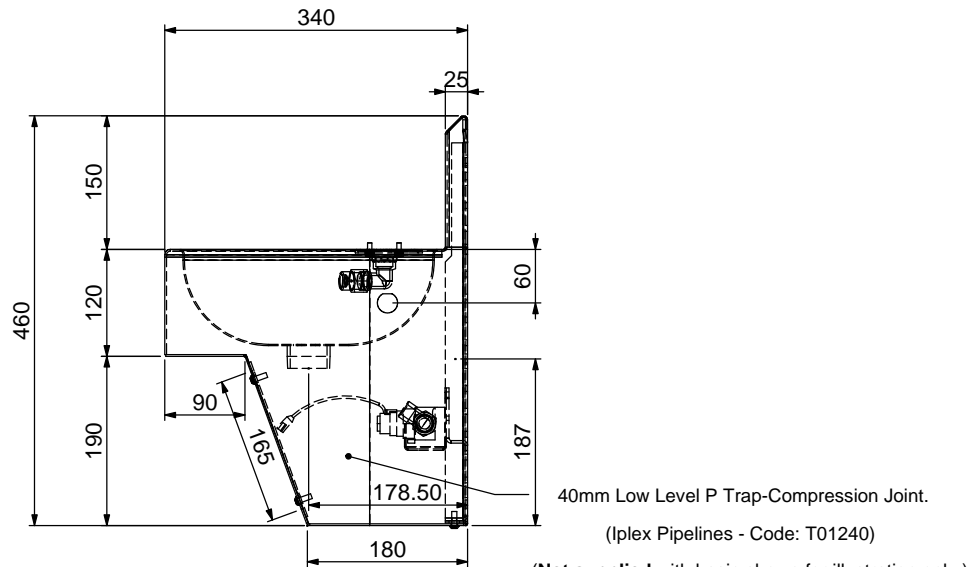
REAR VIEW



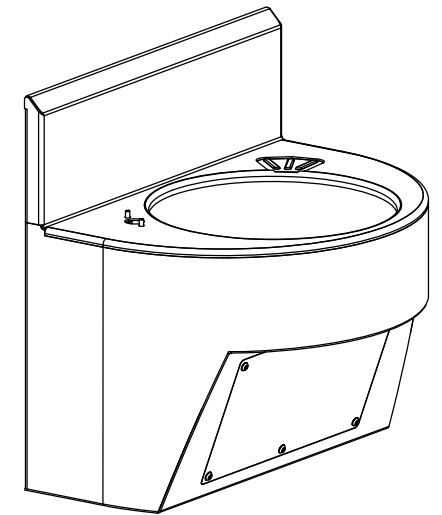
ISOMETRIC VIEW



FRONT VIEW



END VIEW



ISOMETRIC VIEW

ALL EXTERNAL STAINLESS STEEL PANELS ARE 2.0mm THICK.

REVISION TABLE

REV.	REVISED BY	DATE	REVISION DESCRIPTION	STATUS
A		19/05/2009		For Manufacture
B		20/07/2011	Changes to parts 002,004,005,006,Rev B of bubbler valve added	For Manufacture



STODDART
MANUFACTURING
 TOM STODDART Pty Ltd ACN 009 690 251
 149 Jackson Rd Sunnybank Hills Qld 4109
 PO Box 420 Sunnybank Qld 4109
 Phone (617) 3345 5011 Fax (617) 3344 1000
 Email sunnybank@stoddart.com.au
Quality in stainless steel

				PART No: SPPL-WB-SR2-WM-E-A001 Rev B	
DRAWN J Pickels				DESCRIPTION: Wash Basin:Round:Wall Mount:Electronic	
APPVD				MATERIAL:	
Weight:				THICKNESS:	
Surface Area:				FINISH:	
DO NOT SCALE DRAWING				This drawing remains the property of Tom Stoddart Pty Ltd & cannot be reproduced without prior permission.	
				A3	Sheet 1 of 10
					Dwg. Issue 1