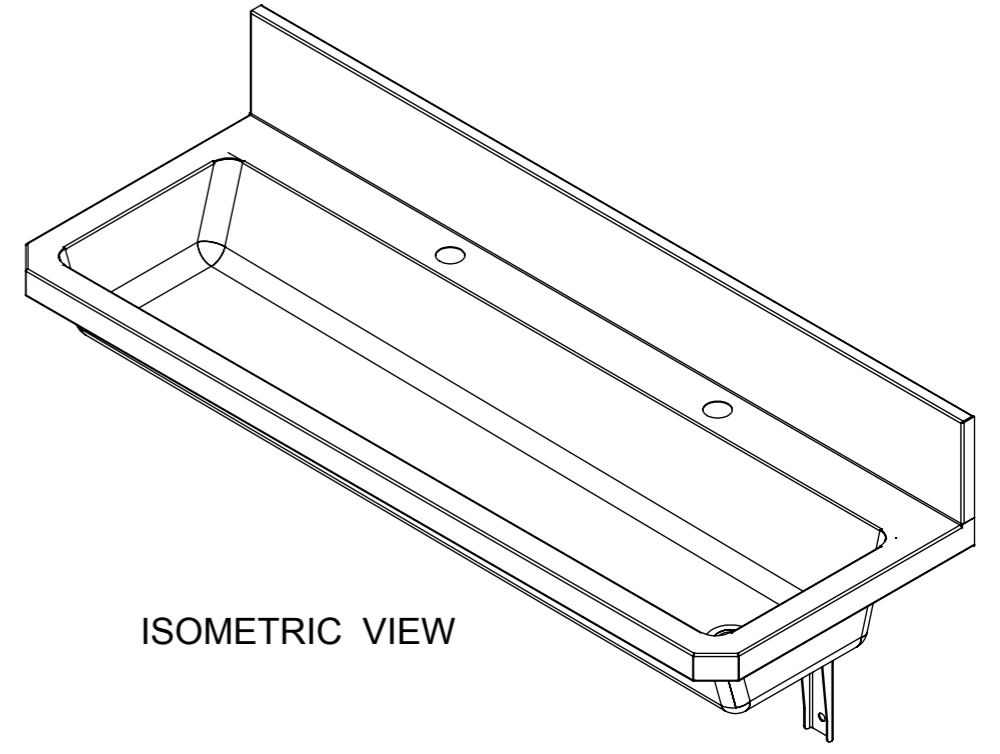
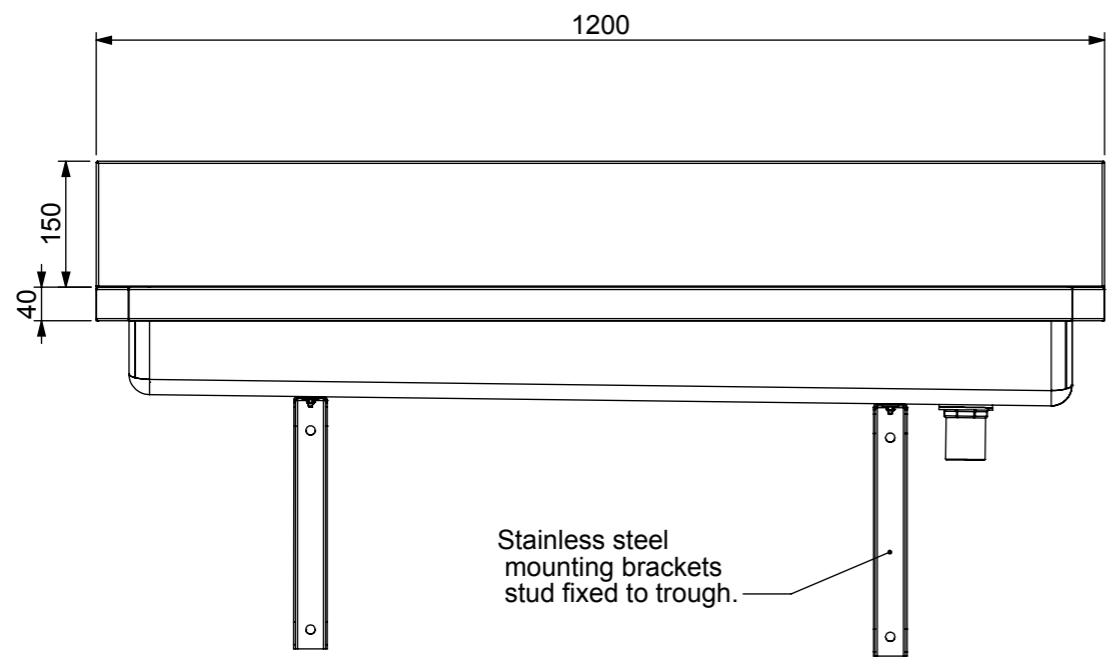


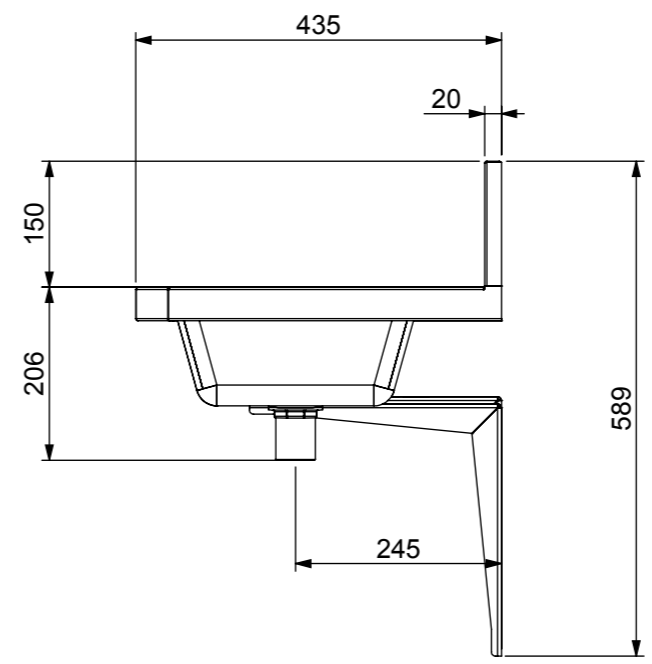
PLAN VIEW



ISOMETRIC VIEW



FRONT VIEW



END VIEW

**R/H WASTE SHOWN**

L/H WASTE & CENTRE WASTE AVAILABLE  
**MATERIAL : 1.2 304 No 4 S/S**

| REVISION TABLE |            |            |                      |        |
|----------------|------------|------------|----------------------|--------|
| REV.           | REVISED BY | DATE       | REVISION DESCRIPTION | STATUS |
| A              |            | 22/08/2011 |                      |        |



**STODDART MANUFACTURING**  
 TOM STODDART Pty Ltd ACN 009 690 251  
 149 Jackson Rd Sunnybank Hills Qld 4109  
 PO Box 420 Sunnybank Qld 4109  
 Phone (617) 3345 5011 Fax (617) 3344 1000  
 Email sunnybank@stoddart.com.au  
*Quality in stainless steel*

|  |  |  |  |                      |  |  |  |   |  |   |  |
|--|--|--|--|----------------------|--|--|--|---|--|---|--|
| DRAWN Y Vasdekis                         |  |  |  | SIGNATURE            |  | DATE 14/11/2011  |  | UNLESS OTHERWISE SPECIFIED: DIMENSIONS ARE IN MILLIMETERS |  | PART No: <b>SPPL-WT-S5-WM-R-1200-ST Rev A</b> |  |
| APPVD                                    |  |  |  | MATERIAL:            |  | THICKNESS:   |  | FINISH:   |  | DESCRIPTION: Wash Trough S5 Wall Mounted      |  |
| Weight: 2.91 kg<br>Surface Area: 2.42 M2 |  |  |  | DO NOT SCALE DRAWING |  | This drawing remains the property of Tom Stoddart Pty Ltd & cannot be reproduced without prior permission. |  | A3  |  | DWG No: SPPL-WT-S5-WM-R-1200-ST Rev A         |  |
|  |  |  |  |                      |  |  |  |   |  | Dwg. Issue <b>1</b>                           |  |
|  |  |  |  |                      |  |  |  |   |  | Sheet 1 of 6                                  |  |