



Product Description:

The Town & Park range of Wharf Style Bollards

The B8 Series Bollard is an elegant unit, ideal for any restricted access area. This unit is manufactured from FSC 100% hardwood with marine grade aluminium baseplate and cap and stainless steel fixings as standard. Optional eyebolts are available.

The B8 Series removable bollard is ideal for restricted access areas.

Should you require special modifications to suit your specification, please do not hesitate to contact us.

P: 1300 782 101
W: townandpark.com.au
E: info@townandpark.com.au

Copyright Stoddart Pty Ltd. All rights reserved.

Models:

Code: SPTP.B8.ww.xx.yy.zz

SPTP = Stoddart Product - Town and Park
B8 = Bollard - Wharf

ww T2 = Select Grade Hardwood
T3 = FSC 100% Hardwood

xx SM = Surface Mount
R = Removable
SS = Sub-Surface

yy 900 = 900mm High
1000 = 1000mm High
1200 = 1200mm High

zz MP = Memorial Plaque
PC = Powder Coated
LG = Logo

Options: Branding
Badging
Chain
Eye bolts

eg.: for specification and ordering quote Town and Park Model : SPTP.B8.T.SS.900

Construction:

- Heavy Duty Materials
- 316 Stainless Steel Fasteners
- High Quality Finishes
- Australian Made

Finishes:

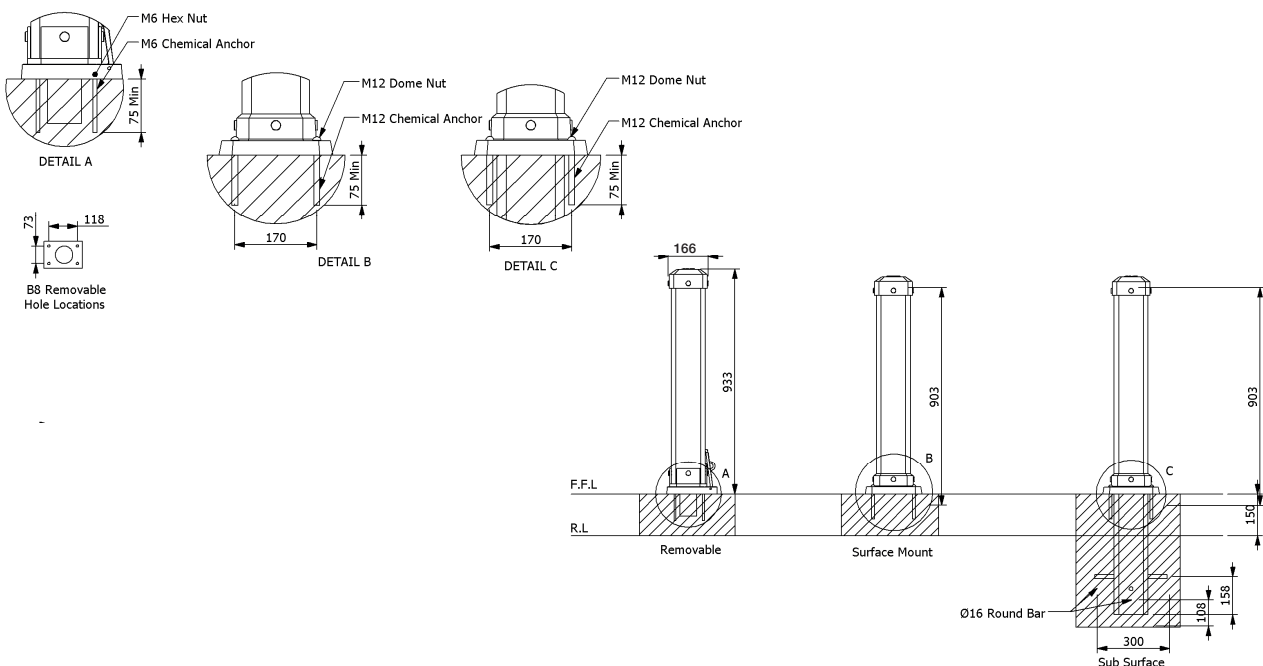
- Powder Coated
- Memorial Plaque
- Logo

Example Specification Text:

Model Code: SPTP.B8.T.SS.900

Supply Town and Park Bollard Wharf manufactured from FSC 100% hardwood with a high quality finish. Sub surface mounting. 900mm high from finished floor line.

Install Details: All measurements in millimetres



P: 1300 782 101
W: townandpark.com.au
E: info@townandpark.com.au

Copyright Stoddart Pty Ltd. All rights reserved.