

MODULAR  
STAINLESS



STODDART

04

Island Work Benches  
Mobile Island Work Benches  
Work Benches with Splash Back

06

Sink Bench with Single Bowl  
Sink Bench with Double Bowl

08

Dishwasher Inlet Bench with Single Bowl  
Dishwasher Inlet Bench with Double Bowl

09

Dishwasher Outlet Bench  
Dishwasher Inlet/Outlet Bench

10

Scrape Hole Bench with Splashback  
Infill Benches

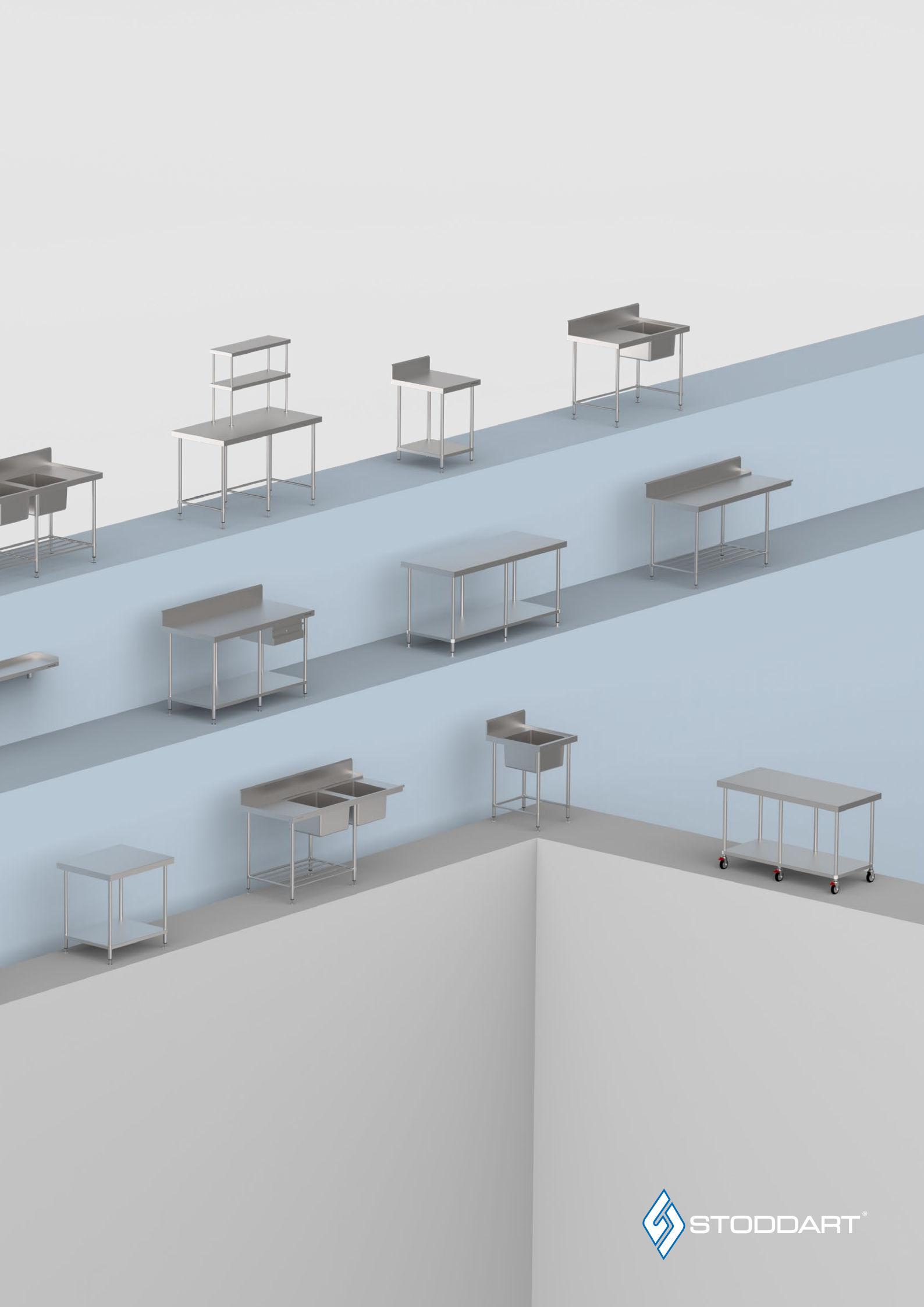
11

3 Tier Trolley  
Glass Basket Cassette  
Glass Rack

12

Stainless Steel Drawers  
Solid Wall Shelves  
Tube Wall Shelves  
Solid Double Over-shelves  
Small Appliance Shelves





**MODULAR**  
STAINLESS

# BIS / BWS BIM

All work benches are manufactured with robust 304 grade stainless steel, 1.2mm thick tops with galvanised steel reinforced backing.

Available in a variety of configurations and sizes such as freestanding and mobile island benches, and freestanding benches with 150mm bevelled edge splashbacks.

All benches are 700mm deep as standard with a 900mm working height. The freestanding and mobile work benches offer a 900mm deep option in 1800mm wide benches.



MS.BIS.7.1500

## Island Work Bench

700 Series - 600, 900, 1200, 1500 & 1800mm wide configurations available  
900 Series - 1800mm wide configuration available

## Work Bench with Splashback

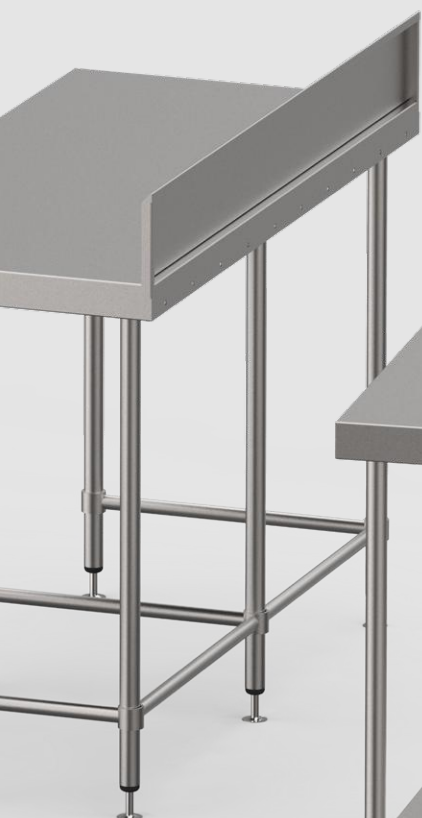
700 Series - 600, 900, 1200, 1500 & 1800mm wide configurations available

MS.BWS.7.0600

### Work Bench with Splash Back

150mm bevelled edge stainless steel splashback with vermin proofing and rear fixing holes for wall fastening.

MS.BWS.7.1500.LB

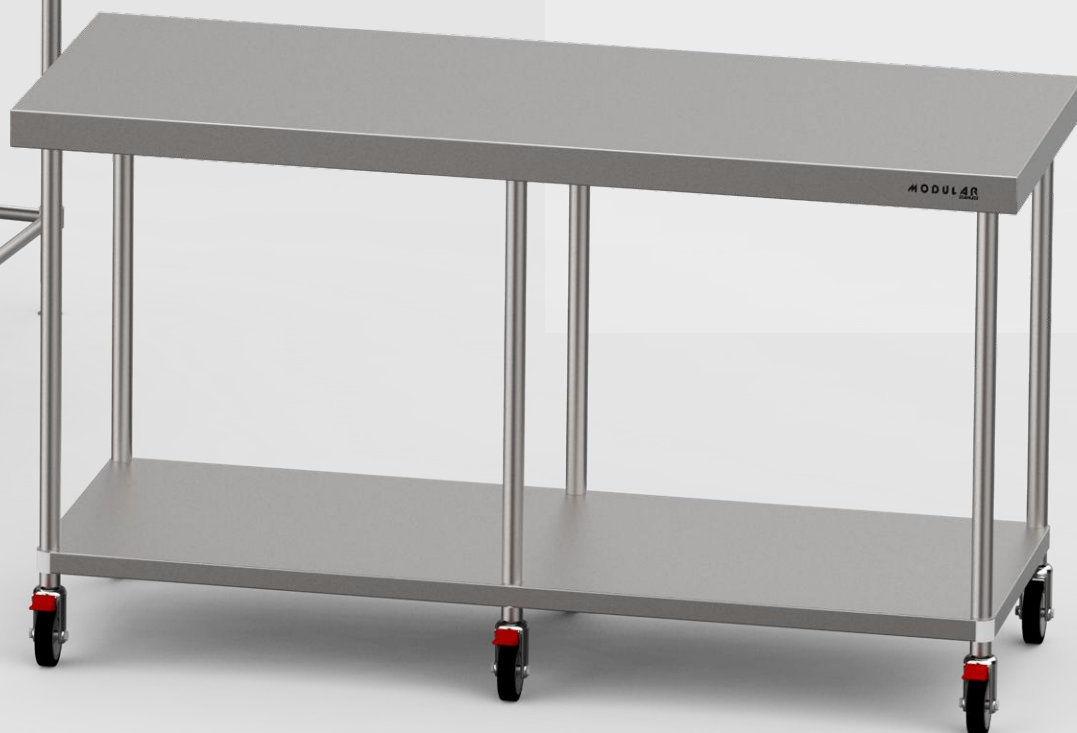


Accompany with either 304 grade stainless steel undershelves with stiffening channels, robust stainless steel leg bracing or tube undershelves.

**BIS & BWS** freestanding work benches feature stainless steel tube legs with height adjustable stainless steel disc feet, for a 900mm working height.

**BIM** mobile island benches are fitted with Ø100mm stainless steel castors with swivel lock and brakes to half.

All benches are supplied flat packed ready for easy assembly.



MS.BIM.7.1800

### Mobile Island Work Bench

700 Series - 600, 900, 1200, 1500 & 1800mm wide configurations available

900 Series - 1800mm wide configuration available

**MODULAR**  
STAINLESS

# BSS / BSD

All sink benches are equipped with robust 304 grade stainless steel, 1.2mm thick tops, wet edge to prevent spillage and stiffening channel backing.

As with BWS work benches, the **BSS** and **BSD** sink bench range feature a 150mm high stainless steel splashback with bevelled edge. Splashbacks are vermin proofed by rear fixing holes for wall fastening.

Featuring stainless steel tube legs with height adjustable stainless steel disc feet for a 900mm working height.

Tube undershelf as standard with the option to replace with leg bracing.

Fully Welded Polished Bowl

60 Litre Capacity - 450 x 450 x 300mm deep



MS.BSD.7.1800C

Sink Bench with Double Centre Bowl

700 Series - 1200, 1500 & 1800mm wide configurations available

MS.BSS.7.1200L LB

## Sink Bench with Single Bowl

700 Series - 1200, 1500 & 1800mm wide configurations available  
Choose from **Left**, **Right** and **Centre** bowl configurations



MS.BSS.7.0600C LB

## Sink Bench with Single Bowl

700 Series - 600mm wide configuration available with centre positioned bowl

BSS benches are available in left, right and centre bowl positions. BSD benches are available in centre double bowl positions in a range of different sizes. Each sink is fully welded and polished with a pre-punched waste hole to suit a 90mm waste. Complete the bench with the Watermark approved **SWB** Modular Stainless sink waste with basket, an internal strainer basket suitable for a 90mm outlet.



Sink Waste with Basket  
To suit BSS and BSD sink benches

MS.SWB

**MODULAR**  
STAINLESS

The **BDIS**, **BDID**, **BDO** and **BDIO** inlet and outlet range by Modular Stainless have been specifically designed to suit leading brands of popular commercial dishwashers. Featuring robust 304 grade stainless steel 1.2mm tops with wet edge and stiffening channel backing and vermin proof 150mm bevelled edge splashbacks (excluding **BDIO**).

With height adjustable stainless steel feet, the stainless steel tube legs are offset from the dishwasher position to allow for easy services access.

Equipped with a 100mm shelf to rear, providing a guide for compatible standard dishwashing baskets into the dishwasher (excluding **BDIO**).

All benches are designed to suit 500 x 500mm standard dishwashing baskets.

# BDIS / BDID

## Dishwasher Inlet Bench with Single Bowl

700 Series - 1200 & 1650mm wide configurations available

Choose from **Left** or **Right** hand Inlet

Tube undershelf as standard

MS.BDIS.7.1650R



## Dishwasher Inlet Bench with Double Bowl

700 Series - 1800mm wide configurations available

Choose from **Left** or **Right** hand Inlet

Tube undershelf as standard

MS.BDID.7.1800L





# BDO / BDIO

MS.BDO.7.1650L

## Dishwasher Outlet Bench

700 Series - 1200 & 1650mm wide configurations available

Choose from Left or Right hand Inlet

Tube undershelf as standard

**BDIS**, **BDID** and **BDO** benches are available in left and right configurations while the **BDIO** inlet/outlet bench can be used for both left and right configurations, offering the utmost flexibility. The **BDIO** has been designed to mount over the dishwasher from the connecting side, allowing water to flow back into the dishwasher, no drain required.

The sink dishwasher benches, as with the **BSS** and **BSD** range, feature a fully welded polished bowl with 60 litre capacity. The **SWB** sink waste and basket can be purchased separately to complete the bench.



## Dishwasher Inlet / Outlet Bench

600 Series - 600mm wide configuration available

Includes leg brace to one side

MS.BDIO.6.0600



**MODULAR**  
STAINLESS

The BSCR Scrape Hole and BEI Infill benches are constructed from 1.2mm thick, 304 grade stainless steel tops and stiffening channel. Each bench features a 150mm bevelled edge stainless steel splashback with vermin proofing and rear fixing holes for wall fastening.

The **BSCR Scrape Hole bench** features a wet edge to prevent spillage, 250mm scrape hole and leg bracing as standard, perfect space for bin underneath.

**BEI Infill benches** feature a blue seal profile to suit a range of existing line ups with solid undershelf as standard.

# BEI / BSCR

Infill Bench - Blue Seal Profile

812mm deep - 300, 450 & 600mm wide configuration available

MS.BEI.B600



MS.BSCR.7.0600

Scrape Hole Bench with Splashback  
700 Series - 600mm wide configuration available



MS.TRO3

3 Tier Trolley  
W515 x D845 x H1031mm



MS.GRA

Glass Rack  
W415 x D488 x H830mm  
Max capacity - 4 x 14"x14" or 4 x 14"x17" baskets



MS.GBC

Glass Basket Cassette  
W565 x D530 x H550mm  
Max capacity - 4 x 500 x 500mm baskets  
Suitable for BIS, BWS and BIM work benches

# GBC / GRA TRO3

Featuring robust 304 grade stainless steel construction, the **GBC** Glass Basket Cassette is designed to sit on compatible work benches solid undershelves.

The **GRA** Glass Rack features robust 304 grade stainless steel construction with Ø25mm square tube legs and height adjustable feet. Equipped with a removable catchment tray and height adjustable stainless steel rack slides.

TRO3, **3 Tier Trolley's** are constructed from 304 grade stainless steel shelf construction with fully welded, 40mm upturned safe edge around each shelf. The tube frame is fixed with Ø100mm swivel lock and brake castors.

# MODULAR STAINLESS

All shelves and drawer kits are constructed from robust 304 grade stainless steel.

The **SWS** Solid Wall shelf and **SWT** Tube wall shelf are supplied with robust stainless steel L shaped wall brackets and 3M high bond adhesive for easy shelf to bracket assembly, eliminating the need for fixings.

The **SOD** Solid Double Over-shelves feature 25mm tube legs with flanged feet and covers for top mounting on benches.

**SMA** Small Appliance shelves are supplied with L shaped wall brackets that can be installed above or below the shelf.

Supplied fully assembled, the **DRK** Stainless Steel Drawers are available in 1 or 3 drawer kits. With an internal drawer size of 410 x 410 x 125mm, each drawer is supplied with a lock and key as standard. For secure mounting on the underside of Modular Stainless benches 900mm wide and above, 6 fixing hole locations are pre punched for easy, hassle-free installation.



Solid Wall Shelf

700 Series - 600, 900, 1200, 1500 & 1800mm wide configurations available

Available to suit MS.BIS, MS.BIM & MS.BWS

MS.USS.7.1500



MS.SMA.0580

Small Appliance Shelves

MS.SMA.0450 - W600 x D450 x H334mm

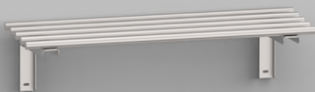
MS.SMA.0580 - W600 x D580 x H334mm

MS.SWT.7.900

Tube Wall Shelf

700 Series - 600, 900, 1200, 1500 & 1800mm wide configurations available

Available to suit MS.BIS, MS.BIM & MS.BWS



Solid Double Over-shelf

300mm deep - 900, 1200 & 1500mm wide configurations available

MS.SOD.900



Stainless Steel Drawers

1 Drawer / MS.DRK1 - W520 x D472 x H213mm

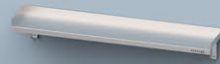
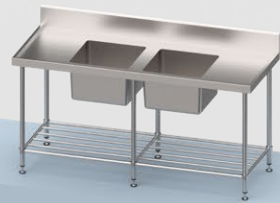
3 Drawers / MS.DRK3 - W520 x D472 x H631mm

Available to suit MS.BIS, MS.BIM & MS.BWS

MS.DRK3

# MODULAR

STAINLESS





**MODULAR**  
**STAINLESS**

*Auckland*

**0800 79 1954**  
**www.stoddart.co.nz**

Manufactured or Imported  
& distributed exclusively by:



Find Stoddart on:



REV MS0522