

Countertop Digital Autolift Fryer W.FAS80

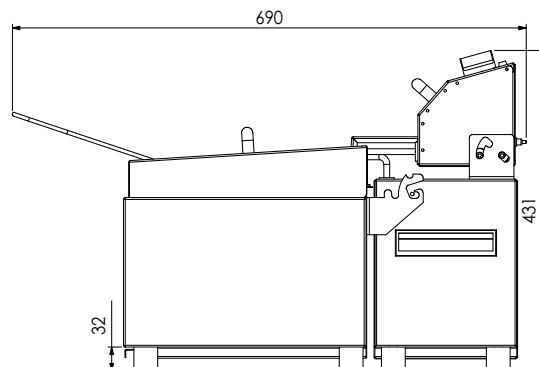
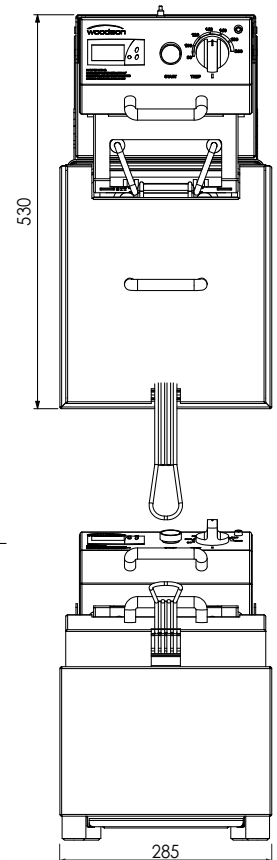


Product Information:

- Temperature regulation via thermostat, designed for 180°C frying
- Suitable for use with liquid oil only
- Over temperature safety cut-out as standard
- Robust stainless steel element covers
- Removable tilting element assembly
- Digital timer control basket lifter for cook and leave operation
- Easily removable oil tank
- Supplied with snug fitting stainless steel lid and drip tray
- Additional accessories available

Specifications

Model	W.FAS80
Height	431mm
Width	285mm
Depth	530mm (with basket 690mm)
Circuit	Dedicated x 1
Power	240VAC / 50Hz / 2.9 kW (15A plug & lead fitted)
Capacity	8 Litre



Due to continuous product research and development, the information contained herein is subject to change without notice.

Revision: D - 19/07/2022 - 02

www.stoddart.com.au

www.stoddart.co.nz