



SPAE.ST.1200.750.600

Equipment Stand

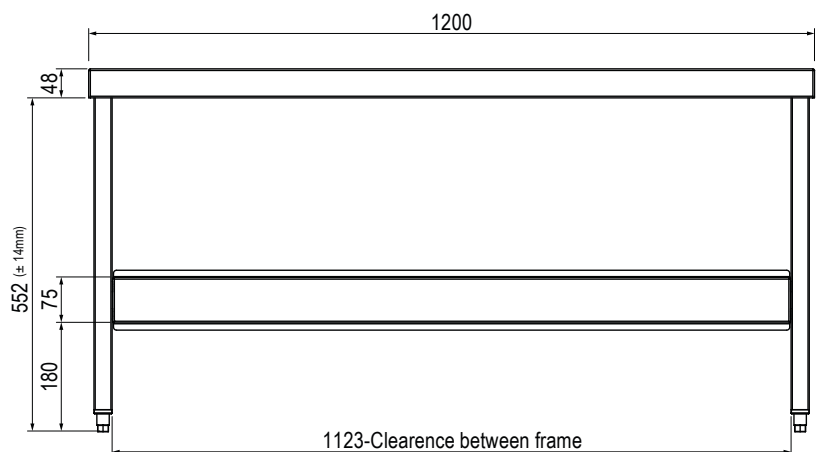
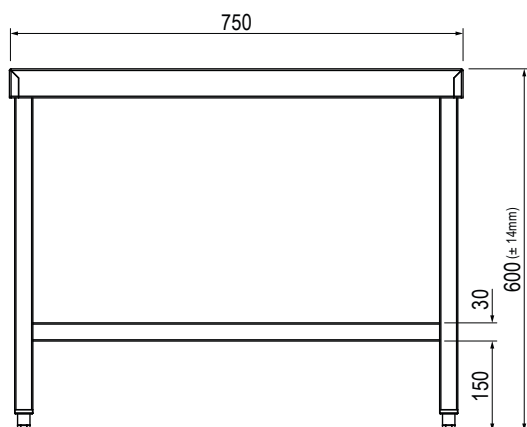
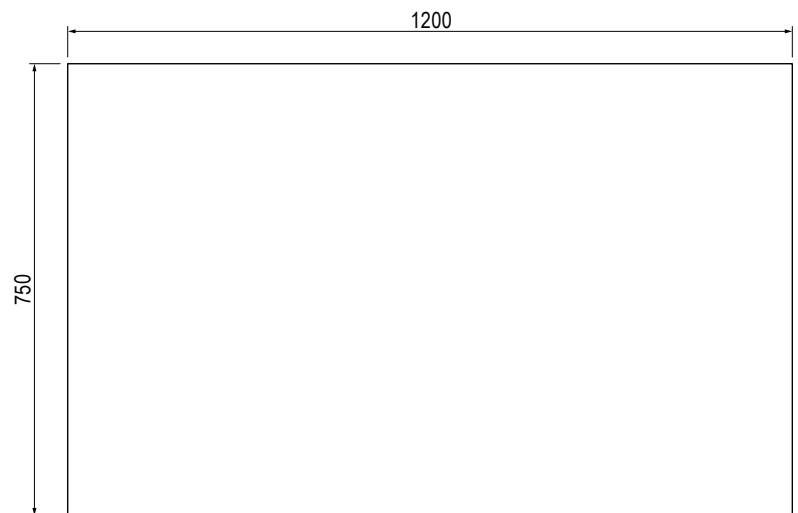
Product Information:

- Robust 304 grade stainless steel construction
- Flat packed, ready for easy assembly
- To suit: Most Euro 700 series including Giorik, American Range, Truheat, and B&S
- Feet locators
- **12-months warranty**



General Specifications:

Model	SPAE.ST.1200.750.600
W x D x H (mm)	1200 x 750 x 600
Weight	20kg
Suits Adande Models	VCS1.RT (450mm) VCS1.CT (494mm)



***INSTALLATION NOTE:** Hard-wired, gas and plumbed equipment **cannot** be directly installed onto the Adande unit. This equipment must be installed above the Adande unit using an independent equipment stand. Installation must be non-fixed to allow service access.

Due to continuous product research and development, the information contained herein is subject to change without notice.

www.stoddart.com.au

www.stoddart.co.nz

Revision: A - 14/11/2022 - 01

