



## SPAE.ST.1305SG

### Equipment Stand

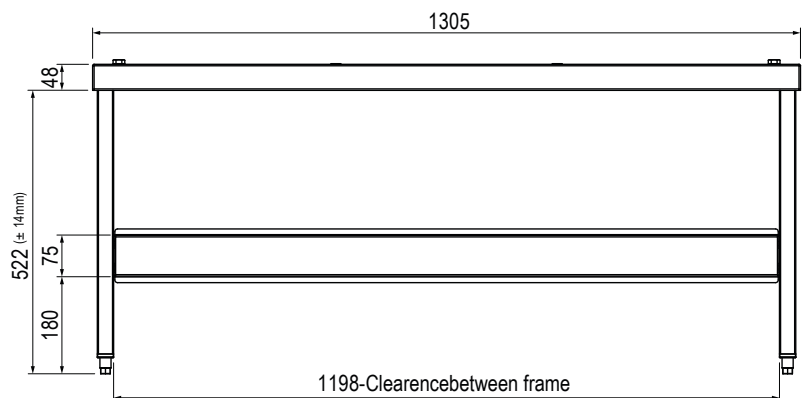
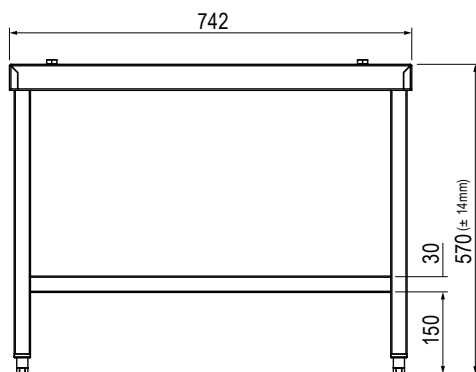
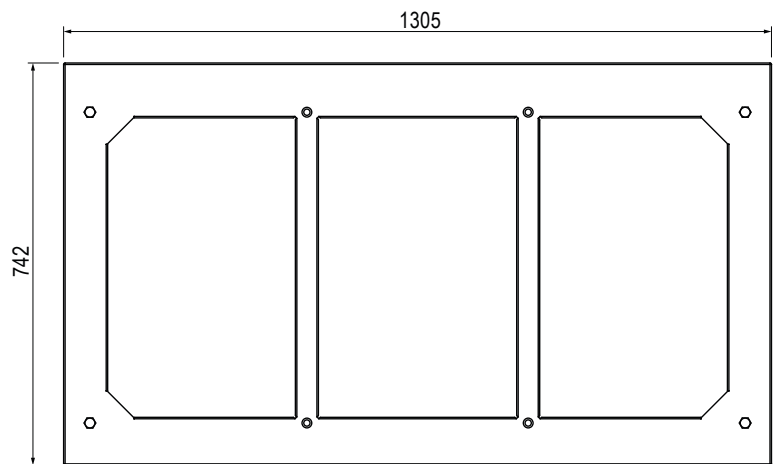
#### Product Information:

- Robust 304 grade stainless steel construction
- Flat packed, ready for easy assembly
- To suit: Synergy Grill
- **12-months warranty**



#### General Specifications:

Model	SPAE.ST.1305SG
W x D x H (mm)	1305 x 742 x 570
Weight	20kg
Suits Adande Models	VCS1.RT (450mm) VCS1.CT (494mm)



**\*INSTALLATION NOTE:** Hard-wired, gas and plumbed equipment **cannot** be directly installed onto the Adande unit. This equipment must be installed above the Adande unit using an independent equipment stand. Installation must be non-fixed to allow service access.

Due to continuous product research and development, the information contained herein is subject to change without notice.

[www.stoddart.com.au](http://www.stoddart.com.au)

[www.stoddart.co.nz](http://www.stoddart.co.nz)

