

MS.BSS.7.xxxxx

Sink Bench with Single Bowl

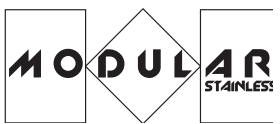
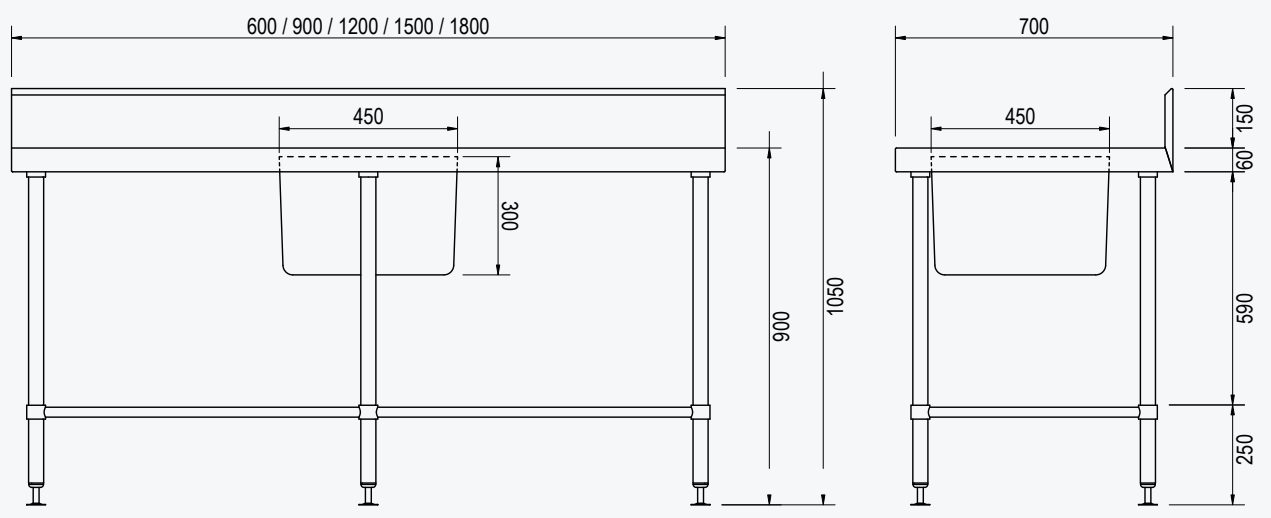
features

- Robust 304 grade stainless steel top (1.2mm) with wet edge and stiffening channel backing
- 150mm bevelled edge stainless steel splashback with vermin proofing and rear fixing holes for wall fastening
- Stainless steel tube legs (Ø38mm) with height adjustable stainless steel disc feet for a 900mm working height
- Stainless steel tube undershelf
- Fully welded, polished bowl (450x450x300mm deep, 60 litres) available in **Centre**, **Left** and **Right** configurations. Please specify when ordering.
- Leg brace available to replace tube undershelf (add **LB** to the end of the product code)
- Supplied flat packed ready for assembly
- Pre-punched waste hole to suit 90mm waste (sold separately)

specifications

Model	W x D x H mm	Legs	Weight
MS.BSS.7.0600C	600 x 700 x 1050	4 legs	26kg
MS.BSS.7.1200C	1200 x 700 x 1050	4 legs	40kg
MS.BSS.7.1200L	1200 x 700 x 1050	4 legs	40kg
MS.BSS.7.1200R	1200 x 700 x 1050	4 legs	40kg
MS.BSS.7.1500C	1500 x 700 x 1050	6 legs	49kg
MS.BSS.7.1500L	1500 x 700 x 1050	6 legs	49kg
MS.BSS.7.1500R	1500 x 700 x 1050	6 legs	49kg
MS.BSS.7.1800C	1800 x 700 x 1050	6 legs	62kg
MS.BSS.7.1800L	1800 x 700 x 1050	6 legs	62kg
MS.BSS.7.1800R	1800 x 700 x 1050	6 legs	62kg

general drawing



www.stoddart.co.nz
 Due to continuous product research and development,
 the information contained herein is subject to change without notice.
 Revision: A - 06/09/2024 - 03

