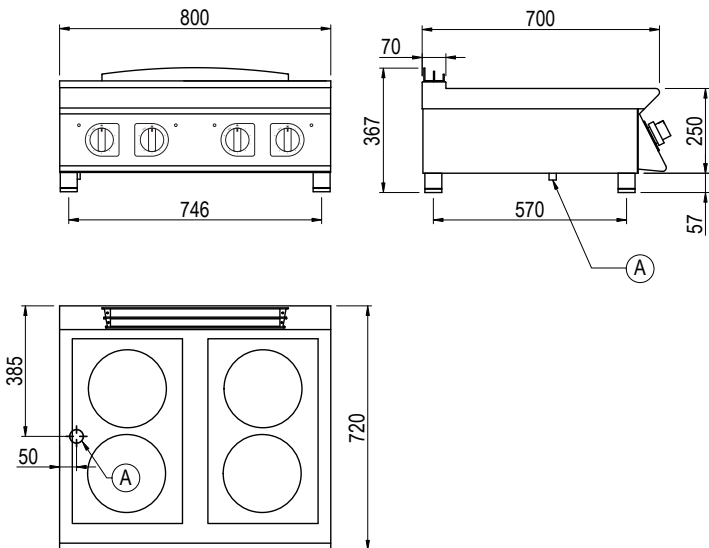




Product Information:

- Class leading, European style, professional quality and reliability since 1963
- 700 series, 6mm, ceramic glass induction boiling top, with four independent cooking zones (4 x 3.8kW)
- Automatic heat generation when induction specific pan is placed on the cooktop
- Automatic shut off when pan is removed from the cooktop
- Precise heat transfer for shorter cook times and enhanced operator safety and comfort
- Independent temperature regulation via 6 position selectors
- LED lights to monitor the correct operation of the appliance
- Robust 304 grade stainless steel construction with rounded corners for improved cleaning
- 24-month warranty

General Drawing:



Specifications:

| | |
|-------------------------------|------------------------------------|
| Model | CI740TT |
| W x D x H (mm) | 800 x 720 x 367 |
| Weight | 65kg |
| Cooking Zone | 4 x Ø230mm |
| Packed Dimensions (mm) | 845 x 825 x 570 |
| Packed Weight (mm) | 75kg |
| Electrical Connection | 3Ø + N + E 415VAC / 50Hz / 15kW |

Legend:

A Electrical Connection

