

## Metro - Wall Mounted

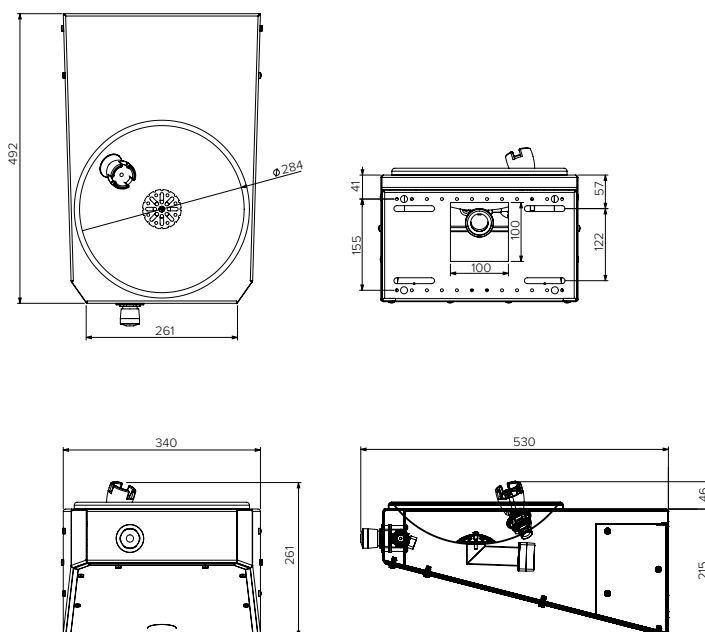
### Model: SPPL.DF.M.WM.xx

SPPL = Stoddart Plumbing Product  
 DF = Drinking Fountain  
 M = Metro  
 WM = Wall Mounted  
 BF = Bottle Filler (bottle filler supplied separately)  
 eg: for specification and ordering quote  
 Code: SPPL.DF.M.WM.BF



### Features and Benefits

- Ideal for Schools, Shopping malls and outdoor areas
- Easy-Push buttons & valves supply a regulated flow of fresh drinking water while reducing water waste
- Large rounded collection bowl prevents excess water on the ground
- Wall mounted drinking fountain can be easily mounted to most wall surfaces at heights suitable to the application
- Lead free compliant
- Wheelchair accessible as per the requirements advised in AS1428.2
- A Backflow Prevention Device is connected to the appliance for connecting to mains water supply
- A trap must be used for connection to the outlet, when connecting to waste
- Plumbing components used with this product meet or exceed the performance requirements of WMTS-105



### Specifications:

Construction: 1.5mm 304 grade stainless steel construction, no.4 satin finish. Unit is pre-plumbed with button and bubbler

Water Connection: Single 15mm (1/2" BSP)

Waste Connection: 40mm waste connection

Unit Fixing: The unit is supplied with a wall mounting bracket with fixing holes

Disabled Access: Fixing height for the Disabled Access Code AS 1428.2 is 700mm from the top of unit to finished floor level. Ideal level for adult wheelchair occupants is 850mm.

Model No.	L x D x H (mm)
SPPL.DF.M.WM	340 x 530 x 261
SPPL.DF.M.WM.BF	340 x 530 x 261

Sold Separately - Tapware Options:



CMPL.1226

Tapware components supplied for this appliance are Watermarked and WELS rated



Due to continuous product research and development, the information contained herein is subject to change without notice.

Revision: E - 1/05/2026 - 02

www.stoddart.com.au

www.stoddart.co.nz