

Product Information:

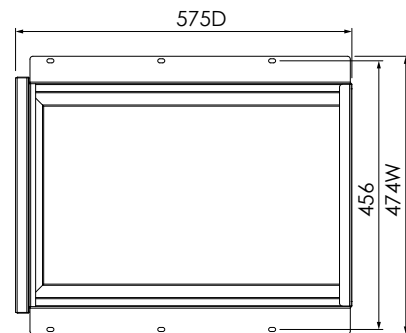
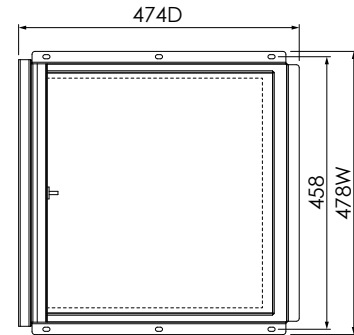
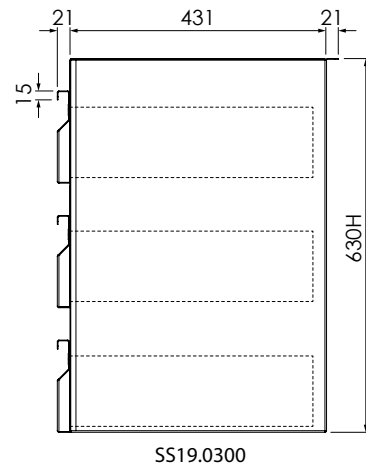
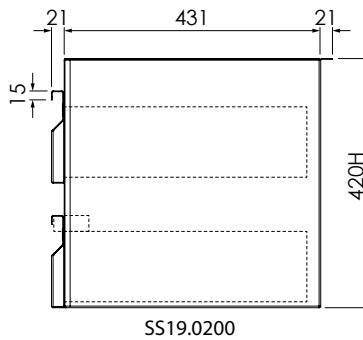
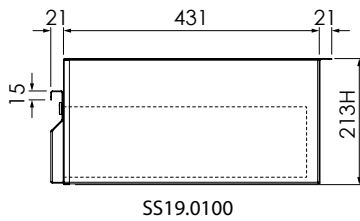
- 1.2mm thick stainless steel
- 6 pre-drilled holes around upper rim for direct fitting to Simply Stainless benches with pre-welded stud on underside (products 01, 02, 03 & 18) or other benchtops made to suit
- Unique lock and key supplied as standard on every drawer (not included on GN model)
- Drawer size - 410 x 410 x 125mm, GN model suits 1/1GN pans up to 150mm
- Model 19.0300 will rest on under-shelf
- Suits benches 600mm long and larger
- Available in 1 Drawer, 2 Drawer, 3Drawer & 1 Drawer GN (GN pan not included)



General Drawing:

Specifications

Product Code	W x D x H (mm)	Unit Weight (Kg)
SS19.0100	478 x 474 x 213	12
SS19.0200	478 x 474 x 420	23
SS19.0300	478 x 474 x 630	31
SS19.GN	575 x 474 x 240	13



Due to continuous product research and development, the information contained herein is subject to change without notice.

Revision: B - 20/05/2026 - 05

www.stoddart.com.au

