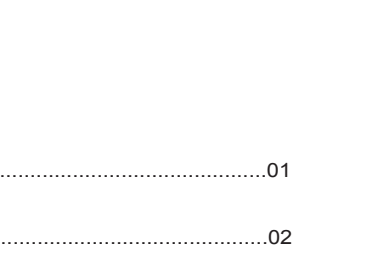
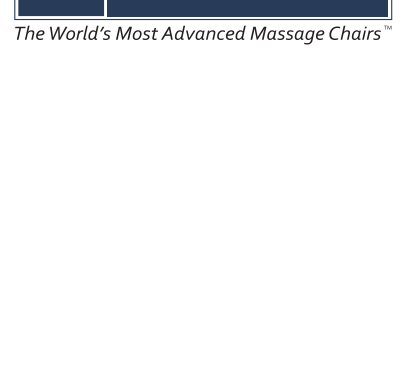
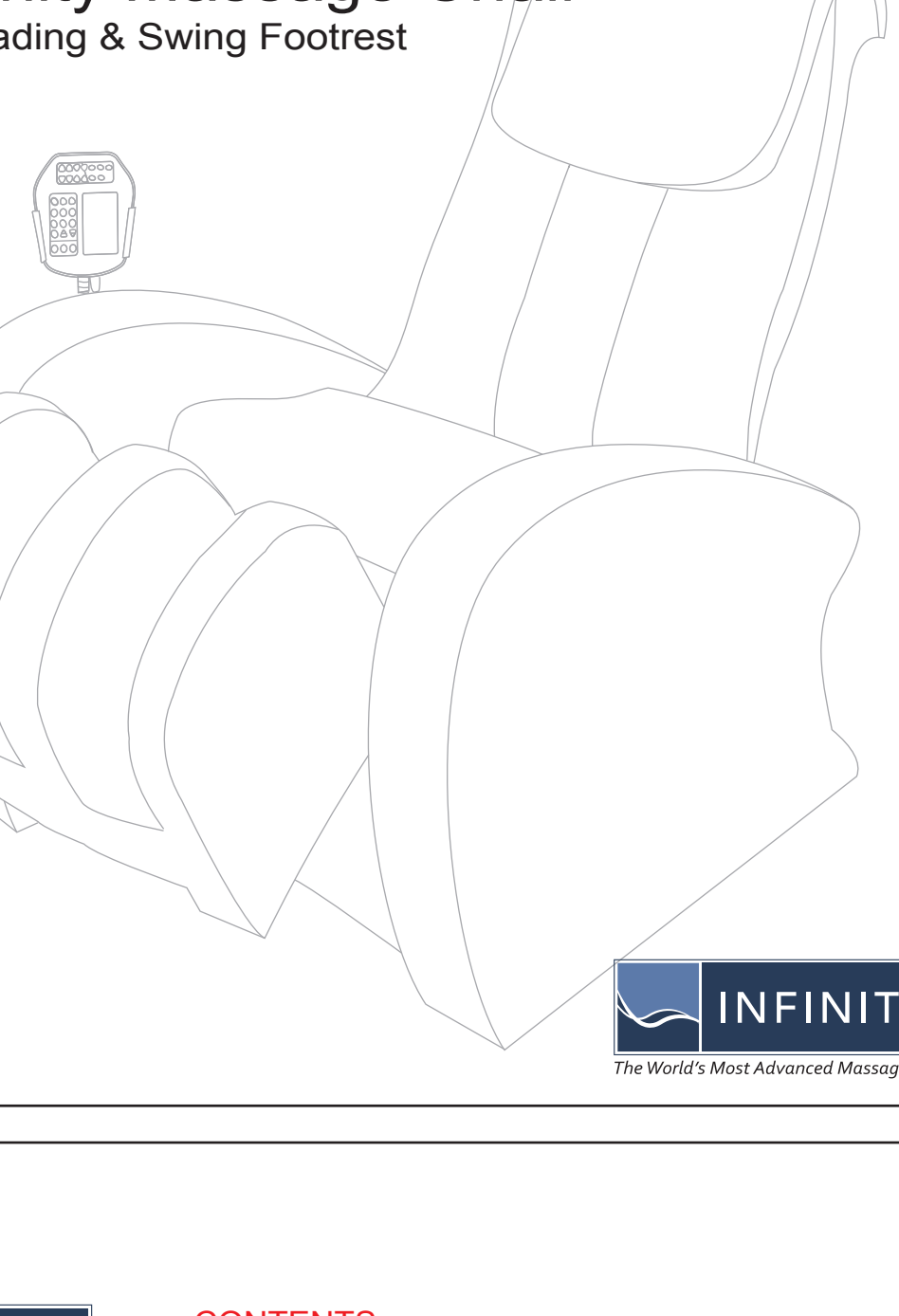


User's Manual
INVERSION THERAPY
The Infinity Massage Chair
Rolling, Kneading & Swing Footrest



CONTENTS

- Safety Precautions..... 01
- Caution for the Warmer..... 02
- Suggested Massage Timing..... 03
- Features/Parts..... 02
- Setup Instructions..... 04
- Acu Points..... 05
- Product Functions and Descriptions..... 06
- LCD Features..... 10
- Method of Operation..... 10
- Basic Troubleshooting Guide..... 11
- Basic Replacement Guide..... 13
- Footrest Functions..... 17
- How to Move The Chair..... 17
- Product Specifications..... 17
- Product Quality and Warranty..... 18

Safety Precautions

To prevent any possible damage, accident, or injury, please pay attention to the following cautions:

1. DO NOT let children play on the chair.
2. DO NOT attempt to uninstall, repair, or modify the chair without the company's technician guidance.
3. If users feel unwell or if when using the chair, please stop and turn off the power immediately.
4. Keep hands and feet away from the mechanical massage devices.
5. UNPLUG the power cord when doing maintenance.
6. Persons with any of the following conditions MUST consult their physician before using the chair:
 - (1) Persons with heart diseases.
 - (2) Persons who are pregnant or menstruating.
 - (3) Persons with spinal anomalies or curvature.
 - (4) Persons who are under medical treatment.
 - (5) Persons with osteoporosis.
 - (6) Persons who require medical rest.
7. DO NOT use the chair in a dirty, greasy, smoggy, or humid environment.
8. DO NOT expose the chair directly to sunlight and DO NOT place the chair too close to other electrical appliances.
9. DO NOT clean the chair with alcohol or evaporative solutions.
10. UNPLUG the power cord and DO NOT use the chair if the leather or fabric cover is damaged or worn-out. Contact the company's maintenance department immediately.
11. Users with hair dressing/journals: Please place a towel behind your head in order to protect the leather or cloth cover.
12. DO NOT load two or more persons on the chair at the same time.
13. Persons under 18 years old DO NOT use the chair without an adult's supervision.
14. Persons who weigh over 400 pounds DO NOT use.
15. Removal of the cushion from the back pad results in stronger massage.
16. DO NOT drink or eat while using the massage chair.
17. Please flip back the headrest pillow before starting the massage.

Caution for the Warmer

1. To prevent burns, always wear proper clothing when using the warmer function. Never remove the backrest flap when using the warmer, combined with the function of fixed-point massage.
2. To prevent burns, children, disabled people, and persons who are unconscious, DO NOT use the function of fixed-point warmer.
3. DO NOT use the warmer for more than 30 minutes. Please turn off the warmer for a few minutes before using it again. Continuously using the warmer may result in over-heating and burns.
4. The best usage of the warmer is to continue with the overall mode, so that users feel not only more comfortable, but are also at no risk for burns.
5. Turn off the warmer BEFORE shutting down the power of the chair.

Suggested Massage Timing

Persons should not use the massage chair for more than 30 minutes per day.

Avoid massaging the same region over 3 minutes to prevent the discomfort and injury.

Caution

DO NOT sit or step on the controller.

DO NOT press the controller on the floor.

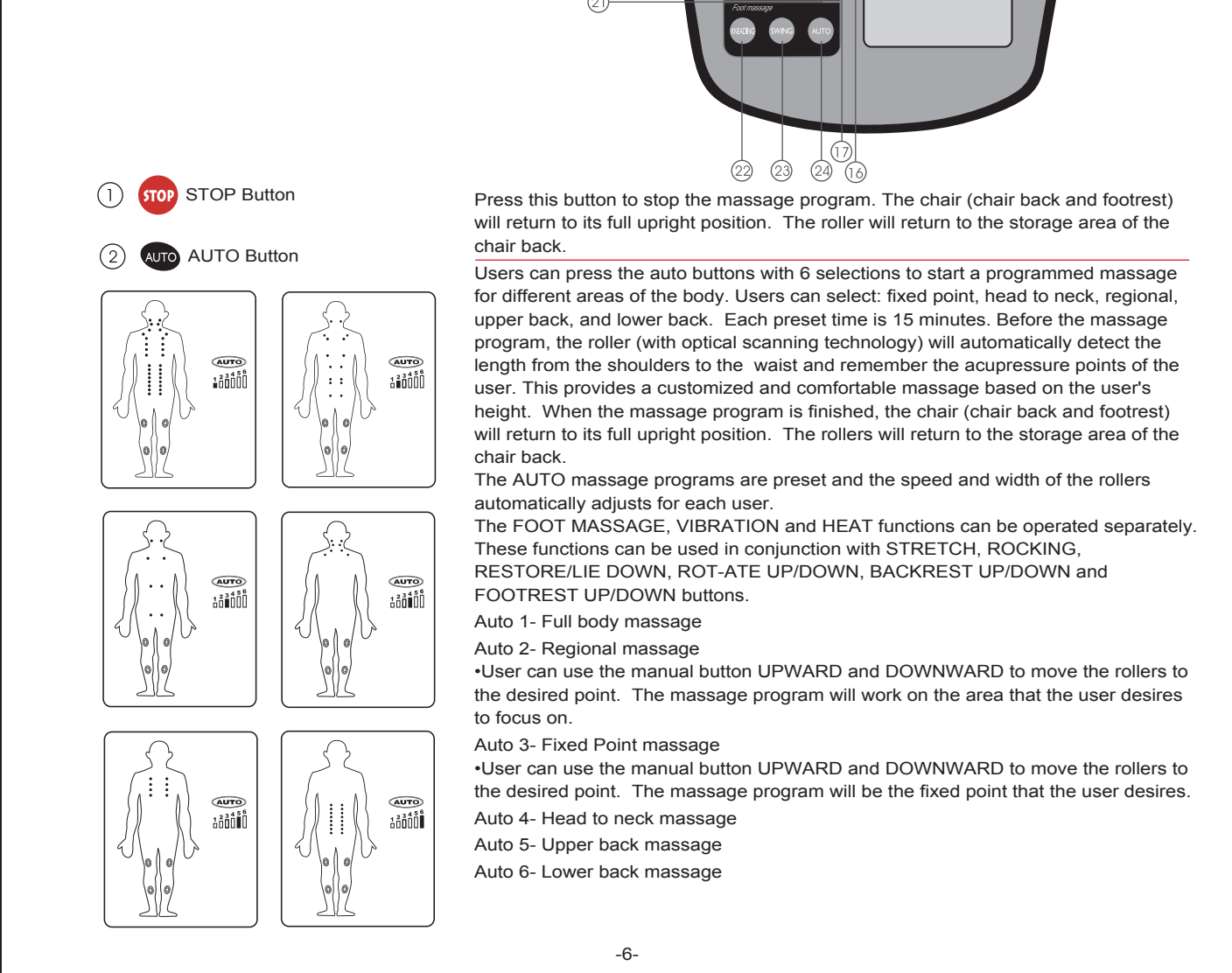
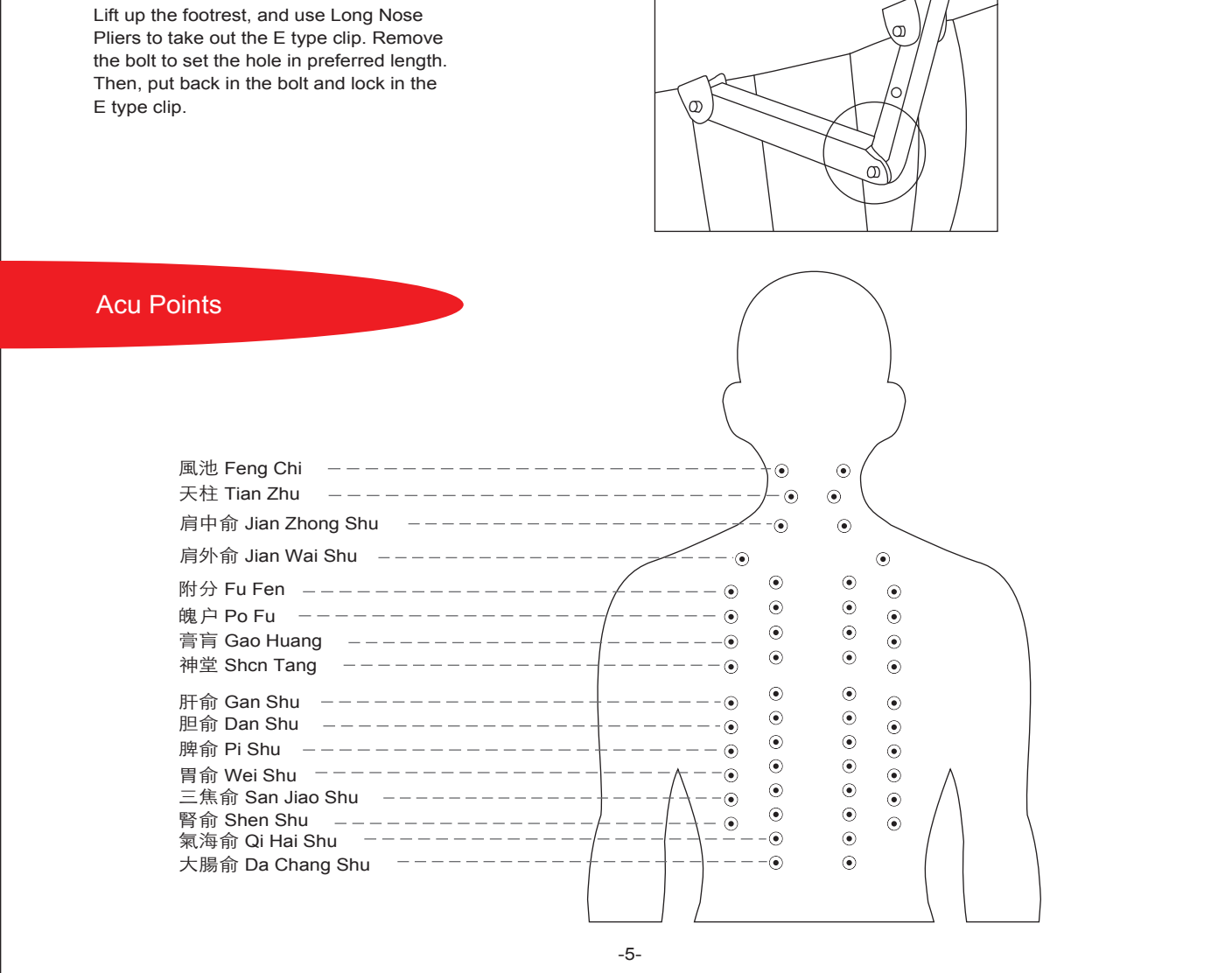
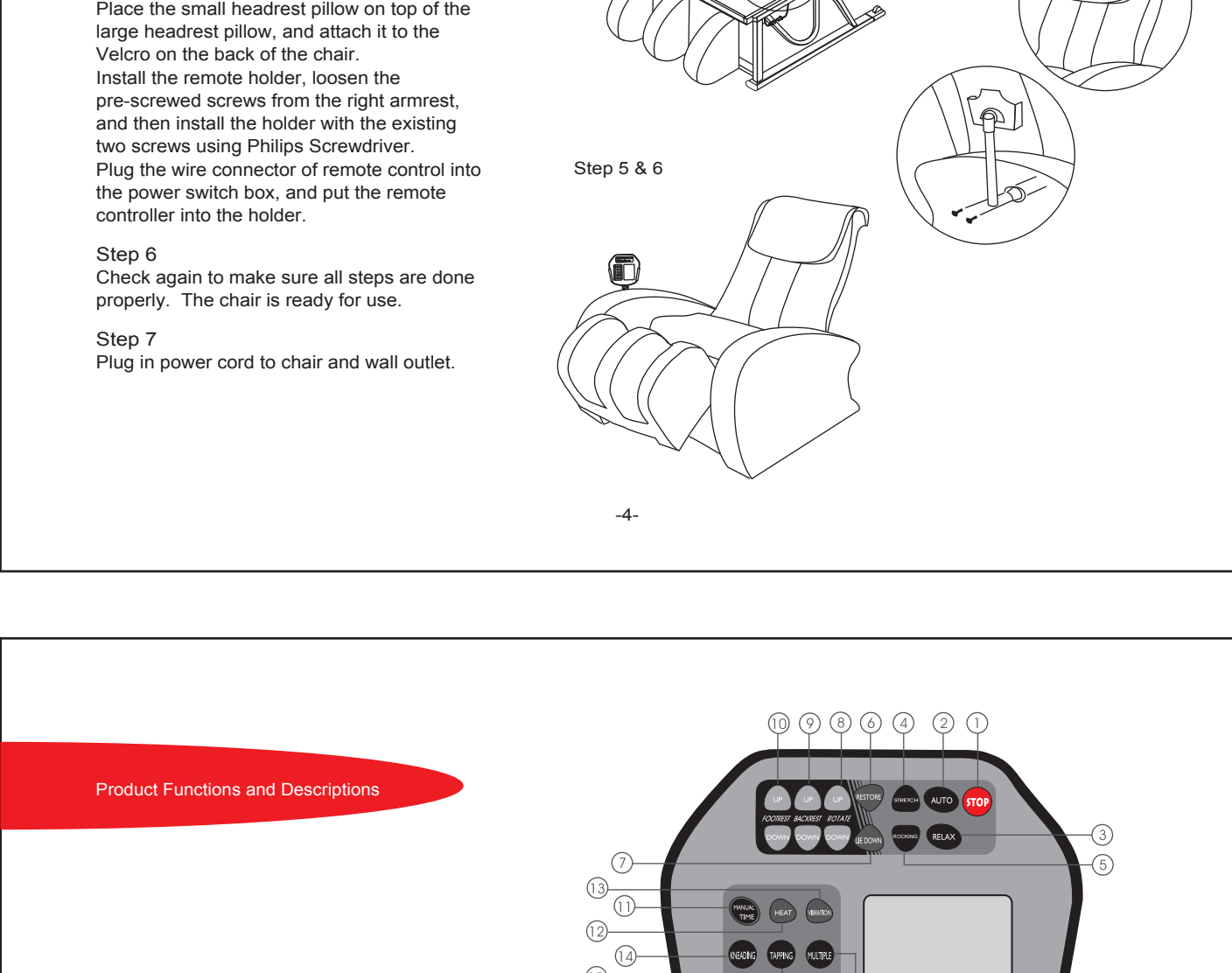
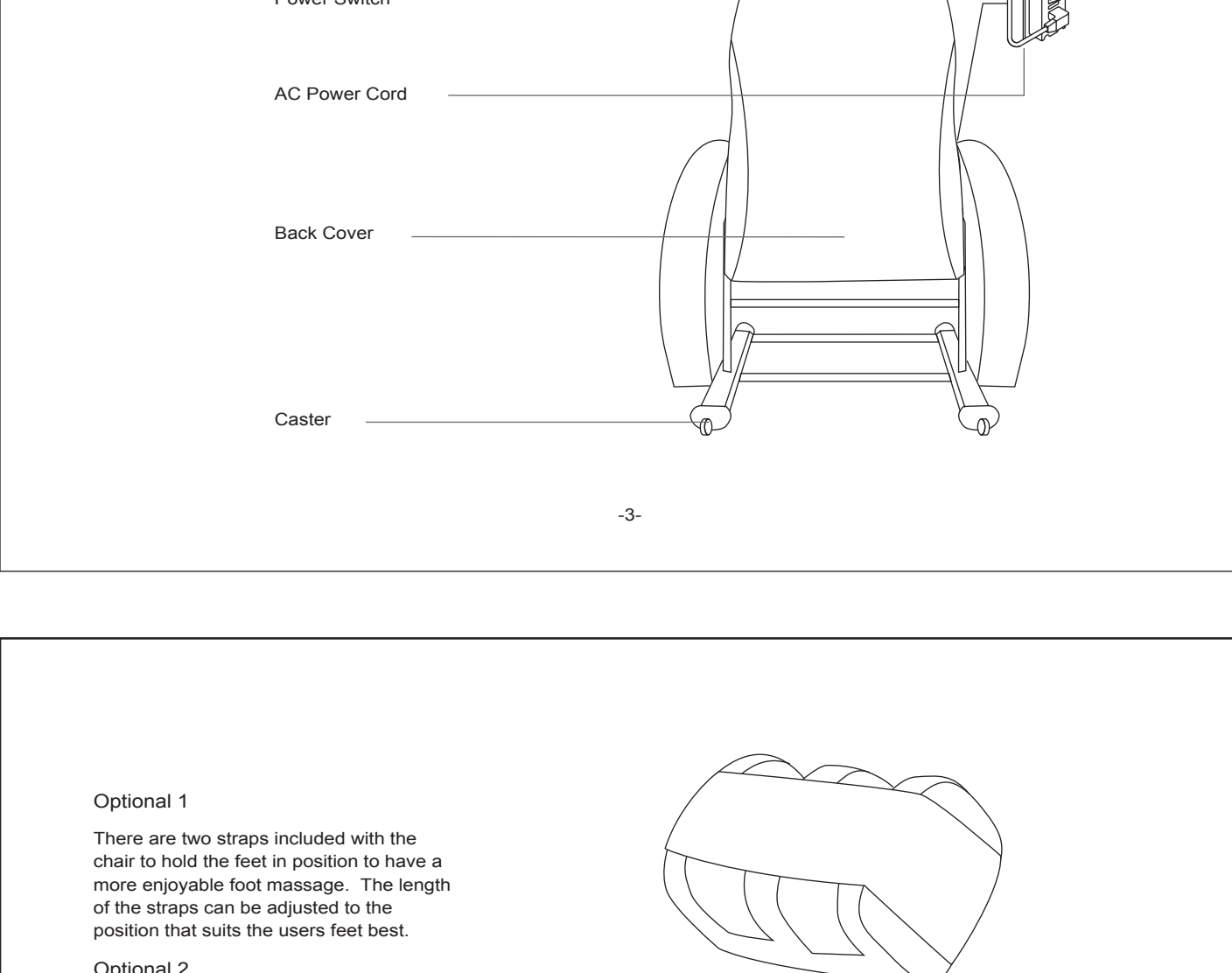
DO NOT press the controller too hard. Keep hands dry when using the controller.

DO NOT use foreign and hard objects to operate the controller, including your nails.

Improper use will result in damaging the controller.

Users need only finger tips to press the buttons on the controller.

Turn off the power after finishing using the chair.



OPTIONAL 1

There are two straps included with the chair to hold the feet in position to have a more effective foot massage. The length of the straps can be adjusted to the length that suits the users legs feet best.

OPTIONAL 2

The foot extension length can be adjusted to 7, 8, 9, 10 cm.

Lift up the footrest, and use Long Nose Pliers to take out the E-type clip. Remove the bolts to set the hole in preferred length. Then, put back in the bolt and lock in the E-type clip.

1. STOP Button

Press this button to stop the message program. The chair (chair back and footrest) will return to its full upright position. The roller will return to the storage area of the chair back.

2. AUTO Button

The AUTO message program has 6 selections to start a programmed massage for different areas of the body. Users can select: fixed point, head to neck, regional, upper back, and lower back. Each preset time is 15 minutes. Before the message program, the roller (with optical scanning technology) will automatically detect the length from the shoulders to the waist and remember the acupoints points of the user. This provides a customized and comfortable massage based on the user's height. When the massage program is finished, the chair (chair back and footrest) will return to its full upright position. The rollers will return to the storage area of the chair back.

3. RELAX Button

The RELAX button for 30 / 30 / 15 / 10 / 5 minutes. Each of these settings has different recline angles with pre-programmed massage functions. Before the message program starts, the rollers will automatically adjust the body length from the shoulder to the waist and remember the acupoints points of the user. The chair will automatically adjust to the most comfortable massage angle. After the message program, the chair will return to its full upright position. The roller will return to storage area of the backrest. After the message program is finished, the chair (chair back and footrest) will return to its full upright position. The roller will return to the storage area of the chair back. The 10/5 minutes programs cannot work with other manual functions.

4. STRETCH Button

E1: Zero Gravity for the most comfortable tilting angle
E2: Angle for victory stretch
E3: angle for lumbar stretch
E4: Inversion stretch for elevating the feet above the head to release the pressure from the waist and stimulate the blood flow from the feet to the heart.
E5: Slope the E1, E2, E3 and E4 functions, and restores the chair to the upright position.

5. ROCKING Button

Deep this button to select different reclining programs.
The chair will automatically adjust to the desired recline angle.
This function can be used with AUTO and manual programs.
When the message program is finished, the chair (chair back and footrest) will return to its full upright position. The rollers will return to the storage area of the chair back.
E2: Medium recline with rocking feature
The chair will automatically adjust to the medium recline angle and the chair will automatically rock back and forth.
This function can work with AUTO and manual programs.
When the message program is finished, the chair (chair back and footrest) will return to its full upright position.
The chair will automatically adjust to the desired recline angle and will automatically rock back and forth.
This function can work with AUTO and manual programs.
When the message program is finished, the chair (chair back and footrest) will return to its full upright position. The rollers will return to the storage area of the chair back.

6. MULTIPLE Button

Press this button to turn on/off kneading and tapping dual function. This function can work with other manual functions except the WIDTH button. The kneading and tapping dual functions is preset at speed one. User can press the SPEED button to adjust to the preferred speed.

7. SHIATSU Button

Press this button to select a programmed shatsu massage function for the whole back.

8. CON.REP. Button

Press this button for 6 selections to massage of Fixed-point, Area, Full body, Head to neck, Upper back and Lower back. Then press the other manual message buttons: KNEADING, TAPPING, MULTIPLE and SHIATSU for back massage.
Only in the Area and Fixed-point message functions can you select the preferred point.

9. WIDTH Button

Press this button to adjust the width for the TAPPING function. Users can select either wide/ medium / or narrow to suit themselves. This function cannot work with KNEADING, MULTIPLE and SHIATSU functions.

10. SPEED Button

Press this button for 6 different speeds. You can use this function with KNEADING, TAPPING and MULTIPLE functions. When using the KNEADING, TAPPING and MULTIPLE functions, the speed changes to follow the intensity of programmed massage. This function cannot be used to adjust the speed for SHIATSU.

11. UPWARD/DOWNWARD Button

Press this UPWARD or DOWNWARD button to adjust the rollers to the desired position. This function only can work with Area and Fixed-point massage.

12. FOOT KNEADING Button

Press this button to start deep kneading massage for feet/calves. There are three speeds F1, F2, F3 and FO to speed.

13. FOOT SWING Button

Press this button to start deep swing massage for feet. There are three speeds F1, F2, F3 and FO to speed.

14. FOOT AUTO Button

Press this button to start(A)stop(B) auto program for feet/calves massage.
* F1=Slowest, F2=Regular, F3=Fastest

LCD Features

The icons are explained:

- SPEED
- KNEADING
- TAPPING
- SHIATSU
- WIDTH
- FOOT MESSAGE
- HEAT

Method of operation

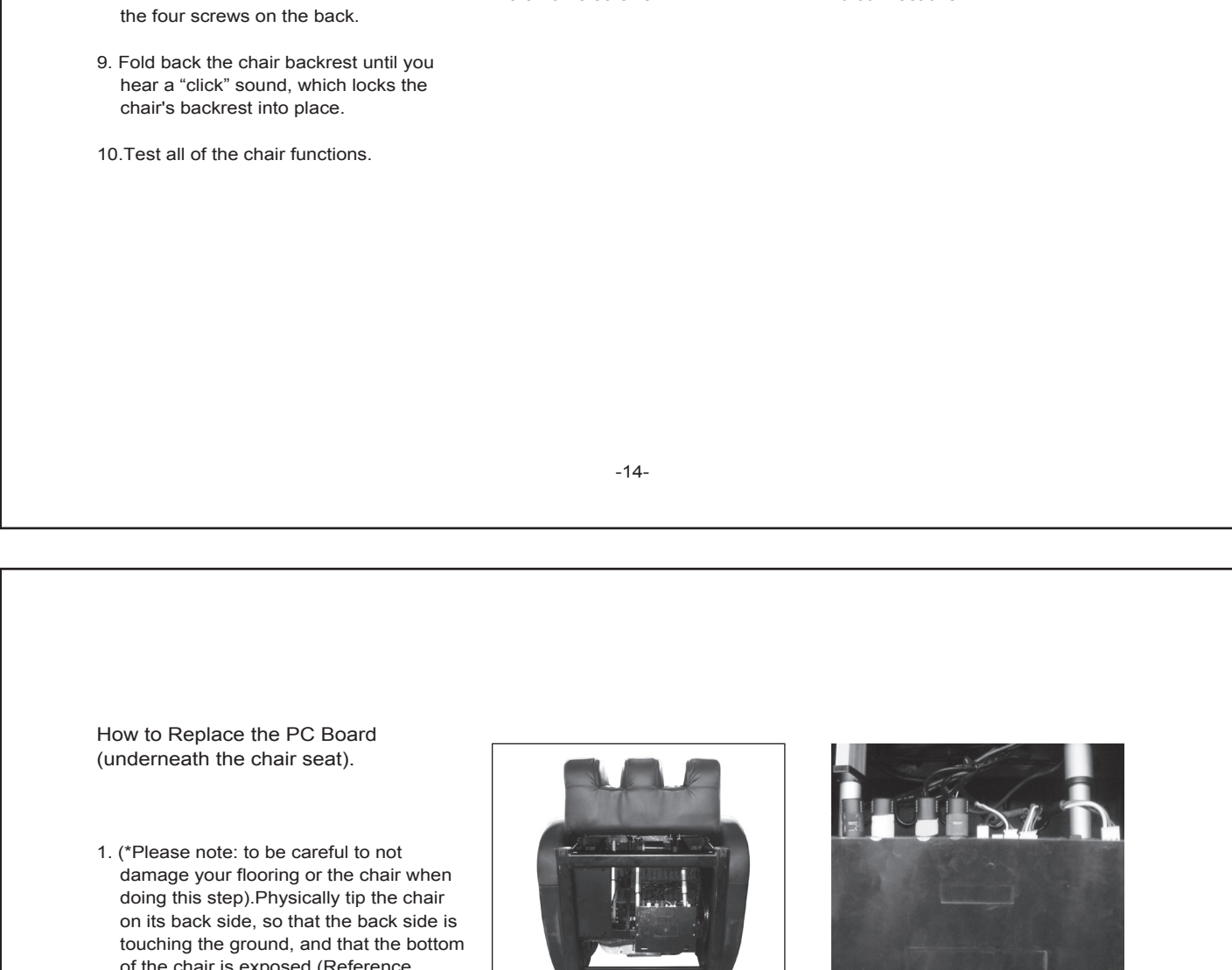
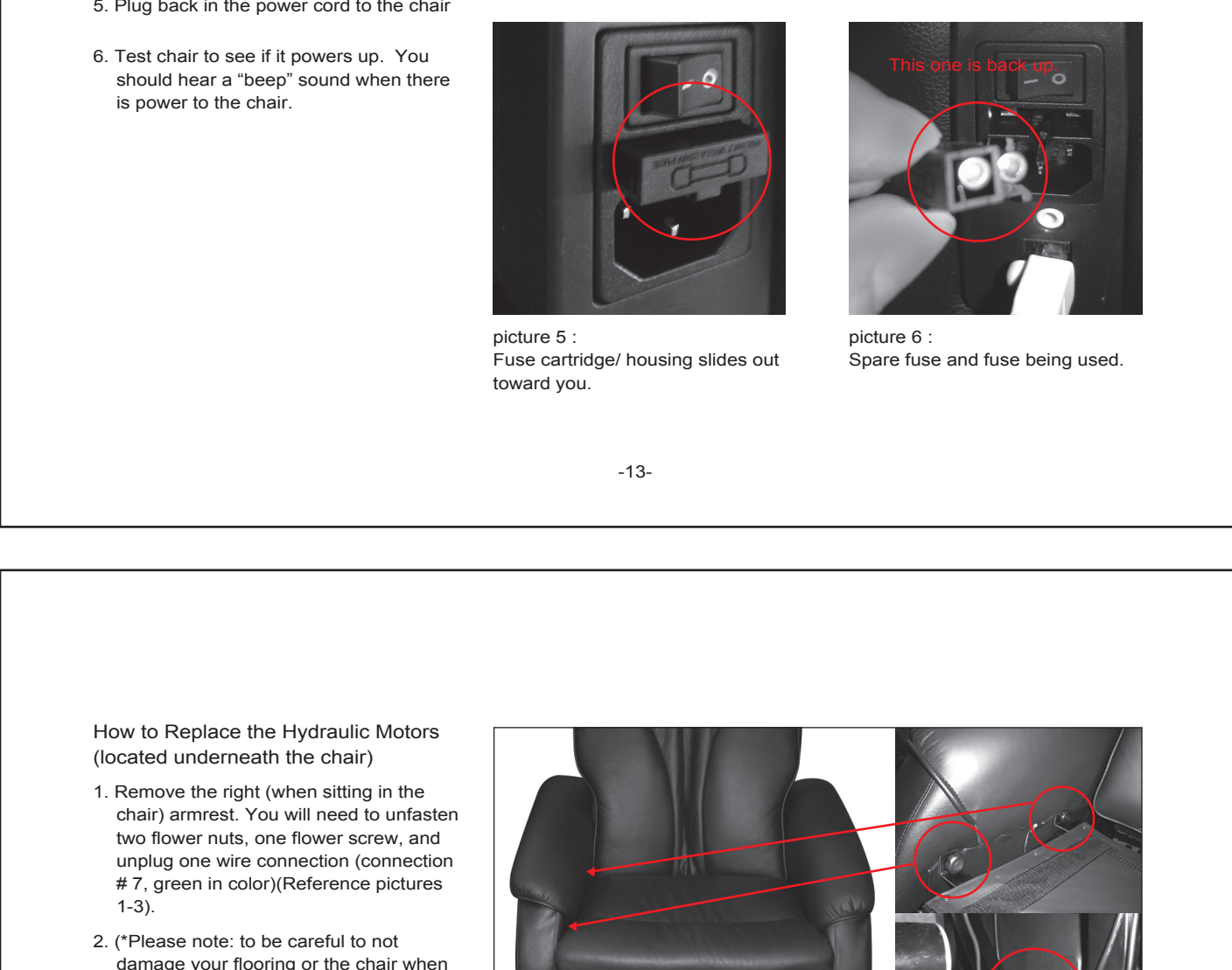
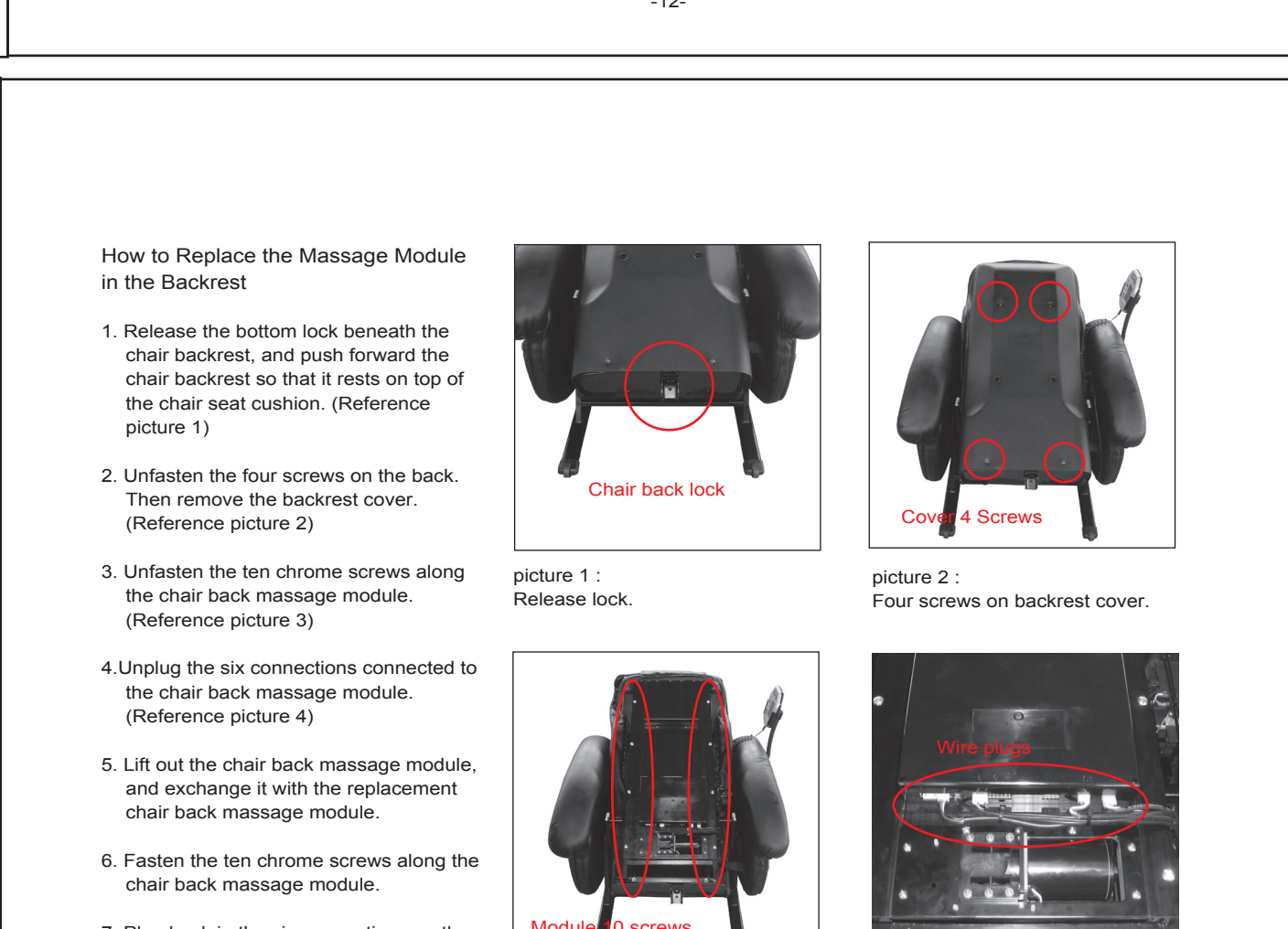
1. Plug in the power cord, and then turn on the power switch on the right side of the chair seat.
2. Press the button you wish to select from the automatic functions (AUTO or RELAX).
3. Press the manual button to set the desired time, then choose from the KNEADING, TAPPING, MULTIPLE or SHIATSU massage functions.
4. When you wish to select a different manual massage while in the auto programs (AUTO and RELAX), you can press the VIBRATION or FOOT MESSAGE button to turn to limit these functions.
5. Press the STOP button to stop the message program. The message rollers will return to its full upright position. The message rollers will return to the storage area of the chair back.
6. The chair comes with padings that you can put in the backrest flap of the chair to adjust the intensity of the massage.
7. Please use a surge protector to protect your chair from current fluctuations.

Basic Troubleshooting Guide

Problem	Troubleshooting Methods
No Power	1. Make sure power switch is on, the line icon (○) should be pushed in – Test chair, continue to next step if needed. 2. Check each end of the power cord (where the power cord is plugged in) and make sure the power cord is plugged into the wall outlet and is securely plugged in – Test chair, continue to next step if needed. 3. Change fuse near power switch (7 AMP)/Reference page 13 to next step if needed.
No Display on Remote, but chair does respond to controls when buttons pressed	1. Turn off power switch, the circle icon (○) should be pushed in. 2. Unplug the power cord (for 10 seconds) 3. Plug back on the power cord. 4. Turn back on the power on the switch, the line icon (○) should be pushed in – Test chair remote, continue to next step if needed. 5. Check the each end of the wire which connects the remote control to the chair, you will need to open up the remote control (5 screws) to check these connection inside the remote control – Test Chair.
When reclining, you can hear a squeaking noise.	1. Determine which recline function is making the squeaking noise by testing each of the recline motors (Footrest, Backrest, and Rotate). 2. Once you determine which motor is making the squeaking noise, lubricate where the motor travels in and out of its housing (underneath the chair) with either WD-40 or 3 in 1 Oil – Test Chair, continue to next step if needed. 3. Use either WD-40 or 3 in 1 Oil to lubricate the side bolts on the chair (which connects the backrest to the chair seat frame). These bolts are located in between the chair's armrest and each side of the backrest – Test Chair.

How to Replace the Hydraulic Motors

1. Remove the right (when sitting in the chair) footrest. You will need to unfasten footrest cap, and remove the motor. Disconnect the motor's power cord and unplug one wire connection (connection # 7, green in color)/Reference pictures 1-3.
2. (Please note: to be careful to not damage your flooring or the chair when doing this step). Physically tip the chair on its right side (same side where you removed the armrest) to the left (down) side. Make sure the bottom of the chair is exposed/Reference picture 4.
3. Locate the motor which needs to be replaced (blue plug = footrest; red plug = backrest; white plug = rotate)/Reference picture 5.
4. Disconnect the color-coded plugs.
5. Locate the bolts and nuts on each end of this motor.
6. Unfasten the nuts and bolts, and slide out the motor.
7. You may need to cut any tie-downs (zip ties) to completely remove the motor from the frame. Please be careful not to cut the tie-down (zip ties) and not the wires.
8. Get replacement motor and align it where the old motor was.
9. Slide in the bolts on each end of the motor and fasten the bolts.
10. Connect the color-coded plugs.
11. Test to see if the newly replaced motor will turn on/off.
12. Tip the chair back upright.
13. Plug in the wire connection (connection # 7 green in color), and fasten armrest by tightening the two flower screws and one flower nut.



Footrest Function

CAUTIONS: To prevent injuries, DO NOT stand on the footrest.

How to move the chair

Step1 Step on the caster.
Step2 Push down the backrest, then push the chair forward.

Product Quality and Warranty

Our massage chairs are designed by experienced professionals and authorities in the field of natural healing and are manufactured with the finest materials and processes. Each product undergoes a rigorous quality assurance process. Combined with the technology of modern science, we are proud to offer you a massage chair that is designed for very individual living in the stressful urban environments of today.

Every massage chair is covered with a one (1) year limited manufacturer's warranty from the date of delivery and utilized under normal household use by the original purchaser only. Within the period of one year after purchase, we will repair or replace, at our discretion, any defective parts or assemblies returned by the original purchaser, freight prepaid. To be eligible for warranty, the product must be used in accordance with the instructions provided in the user manual. (Please note: the warranty does not cover any damage to the chair caused by misuse, accident, fire, flood, lightning, or other causes of damage.)

The product warranty for commercial setting and application is only one (1) year parts and ninety days (90) labor.

Limitation: The limited warranty does not cover upholstery, furniture parts (non-mechanical), outer coverings or fabrics. Replacing these items are available upon request at reasonable cost. The seller shall not be responsible for voiding the warranty if the defect, after the cause of misuse, accident, damage, alteration, manufacturing and extend from commercial setting and application.

The warranty is extended to the original purchaser of the unit only and excludes all other legal and/or conventional warranties. The responsibility of the user is limited to the specific obligations expressly assumed by the user under the terms of the limited warranty. In no event is the manufacturer responsible for consequential damages or any nature whatsoever. Some states do not permit the exclusion or limitation of incidental or consequential damages, so the above may not apply to you.

Customer credit: If the customer is unable to pay for the unit, the seller reserves the right to repossess the unit at any time without notice. Customer is responsible for sending in completed warranty registration card. Valid forms for proof of warranty status are original sales order, copy of invoice receipt, credit card statement, or returned check.

Customer is responsible for basic troubleshooting with the guidance and instructions of a certified technician. The seller shall not be responsible for repairing or replacing any parts or accessories not included in the scope of the warranty. Customer is responsible for replacing hoses (3), bottom hydraulic motors (3), and backrest hydraulic motors (2).

Product Specifications

Product Name	Inversion Therapy The Infinity Massage Chair
Massage Route	118° - 18°
Power Voltage	AC100V-240V/50/60Hz
Power Consumption	60W-100W
Motor Voltage/DC24V	
Weight	77kg/168lbs
Chair Dimensions	Approx. 38"(45/70)"x48"(34) inches

*Number in "()" represent dimensions when fully reclined and with footrest flat.

Product Specifications

Product Name	Inversion Therapy The Infinity Massage Chair
Massage Route	118° - 18°
Power Voltage	AC100V-240V/50/60Hz
Power Consumption	60W-100W
Motor Voltage/DC24V	
Weight	77kg/168lbs
Chair Dimensions	Approx. 38"(45/70)"x48"(34) inches

*Number in "()" represent dimensions when fully reclined and with footrest flat.