

Please keep this manual for future reference.

INFINITY®

PR Pro:
PERCUSSION MASSAGE DEVICE



INFINITY®

Infinity Massage Chairs
72 Stard Road
Seabrook, NH 03874
603-910-5000



www.infinitymassagechairs.com

Thank you for choosing the Infinity PR PRO PERCUSSION MASSAGE DEVICE. Please read the User Manual carefully before using the massager. Keep this booklet in a safe place for future reference.

Please do not use the device, or any vibration device without first obtaining approval from your doctor if any of the following apply:

Pregnancy, diabetes with complications such as neuropathy or retinal damage, wear of pace-makers, recent surgery, epilepsy or migraines, herniated disks, spondylolisthesis, spondylolysis, or spondylosis, recent joint replacements or IUD's, metal pins or plates or any concerns about your physical health. Frail individuals and children should be accompanied by an adult when using any vibration device. If any of these listed conditions apply to you, this does not mean that you are not able to use a vibration or exercise device, but we advise you consult a doctor first.

Ongoing research is being done to the effects of vibration exercise for specific medical disorders. This will be likely to result in the shortening of the list of contra indications as shown above. Practical experience has shown that integration of vibration exercise into a treatment plan is advisory in a number of cases. This must be done on the advice of and in accompaniment with a doctor, specialist or physiotherapist.



Do not touch this area when starting the machine without message head assembled.



Do not touch this area when starting the machine with any message head assembled

IMPORTANT SAFETY WARNINGS:

- For adult only. Do not use if injured. Muscle injuries can be used for recovery. Please consult your doctor before using this device.
- Use only on dry and clean surface of the body over clothing by lightly pressing and moving across the body for approximately 60 seconds per region.
- Use this device only on the body's soft tissue as desired without producing pain or discomfort. Do not use on head or any hard or bony area of the body.
- Do not use in areas where there is bruising, pain or any discomfort.
- Do not place any objects into the ventilation holes.
- Do not immerse in water or allow water to enter the ventilation holes.
- Do not drop or misuse the device.
- Only recharge with supplied 24VDC charger.
- Do not tamper or alter the fascia massage gun.
- Keep finger, hair or any other body part away from the shaft and backside of the applicator as pinching may occur.
- Keep away from heat sources. Keep ventilation ports free from dust and debris.
- Unplug the charger from device battery after charging.
- Use only the applicators that provide the best desired effect.
- Use this product in accordance with the instructions.
- Check the device carefully before each use.

LI-ION BATTERY WARNINGS

This device contains a Lithium-ion battery. The battery must be recycled or disposed of properly. Contact your local waste management office for information on battery recycling or disposal.

ENVIRONMENT PROTECTION

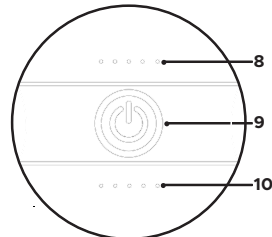
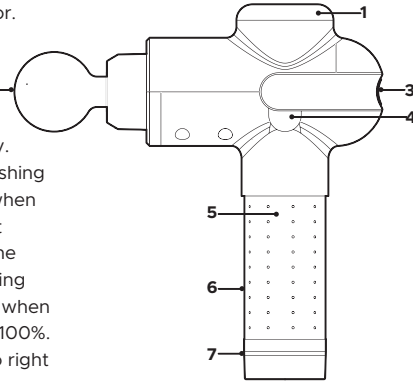
At the end of the service life of this product, please do not throw away. Take the device to a designated recycling station, or dispose of it in an environmentally sound way.

⚠ WARNING

This product can expose you to chemicals including Lead and Lead Compounds, which are known to the State of California to cause cancer or birth defects or other reproductive harm. For more information go to www.P65Warnings.ca.gov/furniture

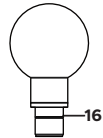
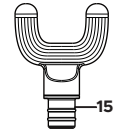
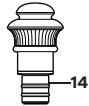
PRODUCT DESCRIPTION

1. 45W brushless high-torque motor.
2. Massage head connection point.
3. Control Panel.
4. Battery pack release button.
5. Silica gel covered handle.
6. Rechargeable Lithium-ion battery.
7. Battery Pack LED Ring: When flashing Red, the battery is below 20%; when flashing Orange, the battery is at 20-40%; when flashing Yellow, the battery is at 40-60%; when flashing Green, the battery is at 60-80%; when solid Green, the battery is at 80-100%.
8. Speed indicator light: from left to right is level 1-5, White LED.
9. Power Button: push button to switch on device. Once device is on, push the button to toggle through 5 speed levels. To turn device off, long press the power button, or cycle through all speed levels until the device stops.
10. Power indicator light: after switching on, 5 lights indicate 80-100% power; 4 lights indicate 60%-80% power; 3 lights indicate 40%-60% power; 2 lights indicate 20-40% power; 1 light indicate 5-20% power; 1 flashing light indicates low power and the device must be charged.



Control panel

SIX REPLACEABLE MASSAGE HEADS

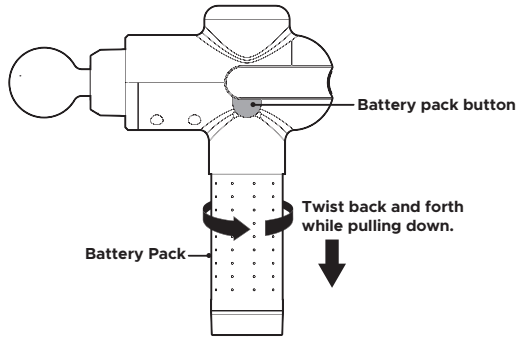


Installation method: Rotate the massage head gently while pulling/loading

11. **Flat Head** - Features a large, flat contact point. Great for large muscle groups, such as the calves and hamstrings allowing you to cover more surface area in less time.
12. **Bullet Head** - Features a more concentrated contact point which re-inacts a thumb. Best for pinpointing specific areas of the feet or around joints.
13. **Wedge Head** - Features a long, wide contact point. Great for scraping along the upper arms, chest, shoulders, and biceps.
14. **Dampener Head** - Features a cushioning effect for users who are new to percussive therapy. Great for larger muscle regions such as the glutes, adductors, or lower back, and also more sensitive areas such as the knee.
15. **Fork Head** - Featuring a two-pronged shape, the fork head is great for getting into smaller, slimmer muscle regions such as the achilles, IT-band, forearms, or along the spine.
16. **Ball Head** - The large round head is used for large muscle groups such as the quads, hamstrings, traps, and upper back.

REMOVING BATTERY PACK

1. To remove the battery pack from the device, press in the battery pack release button located on the side of the device and twist back and forth while pulling down on the battery pack until it comes out.
2. To re-attach the battery pack, align the groove key on the side of the battery pack with the groove on the inside of the battery pack slot. Push the battery up firmly into the device until you hear a click sound.



CHARGING

1. Fully charge battery for up to 2.5 hours before first use either attached or detached from the device.
2. To charge, connect DC end of the supplied 24V adapter to the battery's charging port and plug AC side cable into wall outlet.

3. In Standby mode, the LED lights on the device control panel flash regularly, indicating the battery level and that it is charging. The ring on the bottom of the battery pack also flashes and changes color to indicate battery charge. If the battery switch on the bottom of the battery pack is Off, only the battery pack ring will flash from yellow to green, when battery is fully charged, battery ring will stop flashing and stays on green.
4. Battery may be recharged at any time and at any battery level. **Do not use this device while charging.**
5. One flashing light indicates low power and the battery needs to be recharged.

OPERATION

1. Make sure battery switch on the bottom of the battery pack is turned on and the battery pack ring is lit indicating that the device is in standby mode. If the ring is not lit, switch off and then on again.
2. Press the power button on the control panel to turn device on.
3. Device will start at speed level 1. To cycle through the 5 different speed levels press the power button. When the device is at speed level 5, press the power button once more to enter standby mode (speed level 0). To restart, wait 3 seconds and then press the power button to enter speed level 1 again.
4. At any time after turning on the device, long press the power button to enter standby mode.
5. To completely turn off, slide the battery switch to off.
6. If the device is left idle in standby mode for 60 minutes it will automatically turn off.

MAINTENANCE

A. Storage

- When not using the device, place back into provided carry case.
- For storage or travel, remove battery and store in the supplied box.
- Keep out of direct sunlight and high temperatures. Store in a cool dry place

B. Cleaning

- Unplug power cord before cleaning.
- Use a dry cloth only to spot clean the surface of the product. Avoid direct contact with water.
- Do not use corrosive cleaners such as benzene or bleach products.

SPECIFICATIONS

| | |
|-----------------------------|----------------------------------|
| Model | PR Pro |
| Dimension of Main Body (in) | 6.85" x 2.67" x 9.3" (L x W x H) |
| Weight (lbs) | 2.2 |
| Amplitude | 12mm |
| Power | 45W brushless motor |
| Adapter Input | 100-240V-50/60Hz |
| Output | DC 24V 1A |
| Battery Type | Li-ion 2400mAh 11.1V |
| Battery Life | Approx. 240 minutes ea |
| Battery Charge Time | Approx. 2.5 hours |



TROUBLESHOOTING

| Symptoms | Possible Causes | Possible Solution |
|---------------------------------|--|--|
| Will not turn on. | Battery switch set to Off or timed out while set to On. Battery pack not making connection. | Switch either to On or Off then ON. Press Power button. Remove battery and re-insert until you hear a click. |
| Massage node will not pull off. | It is stuck through prolonged use. | Twist as you pull the node off. It may take significant pulling effort. |
| Percussion has slowed. | Needs battery charge. | Swap battery and charge. |
| Battery does not fit. | Note the battery pack is keyed. It only will fit one way. | Line up slot before sliding into the device. Insert firmly until it locks with a click. |
| Battery will not remove. | Safety lock is engaged. | Find and press the battery release button, then at the same time pull the battery down. It does not unscrew. |

INFINITY TECHNICAL SUPPORT

If you have any questions about maintenance or are experience technical difficulties with your massager, please contact Infinity's technical support team at 603-910-5000 for assistance.