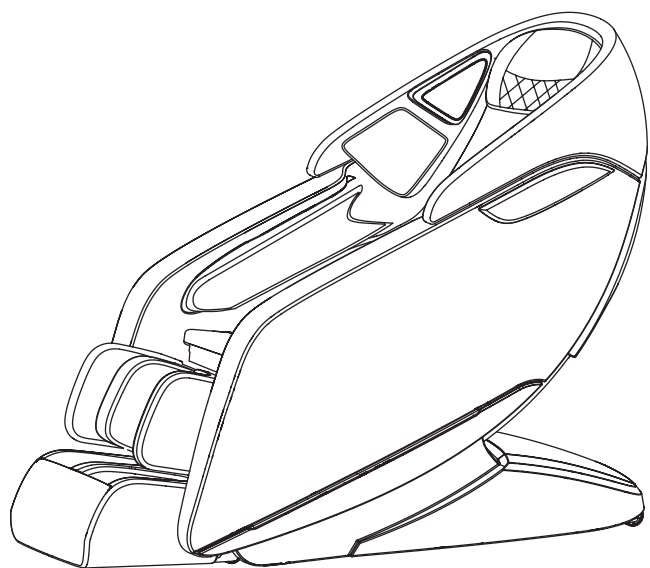




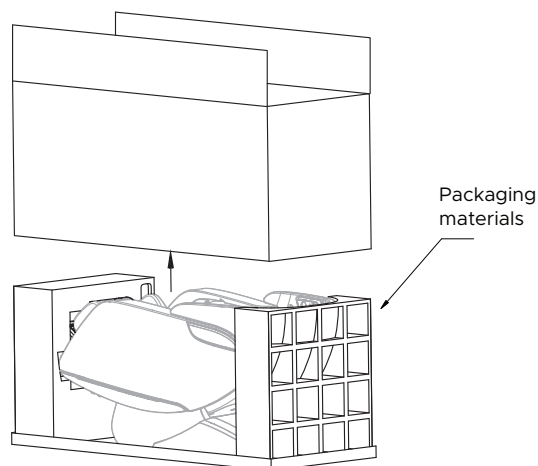
SCAN CODE



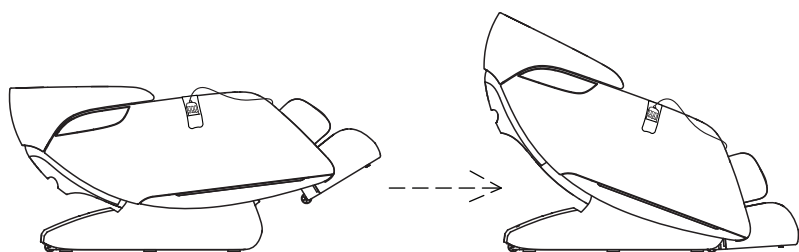
# Assembly Guide

## Genki M380 Massage Chair

**2 Step 2:** Open the box and remove packaging materials. Remove protective covering from the chair.



**4 Step 4:** Press the power button on the remote control once to turn on, then once more to bring the chair into upright position.



Power on the remote and select AUTO program to start a session.



Review chair for smooth operation. If things are not operating correctly, review all assembly steps. Call Kyota support at 800 242-0761 if you need live US-based support.

**You are done; time for a Massage!**

The Genki massage chair is 29.5" wide and will pass thru doorways 30" (may need to remove door) or greater. Though not recommended, you can further reduce the chair width to 28.82" by removing the arm panels.

Go to <https://kyotamassagechairs.com/assembly-tutorials> for Arm panel removal instructions. Alternatively, scan the QR code to go directly to the URL above.

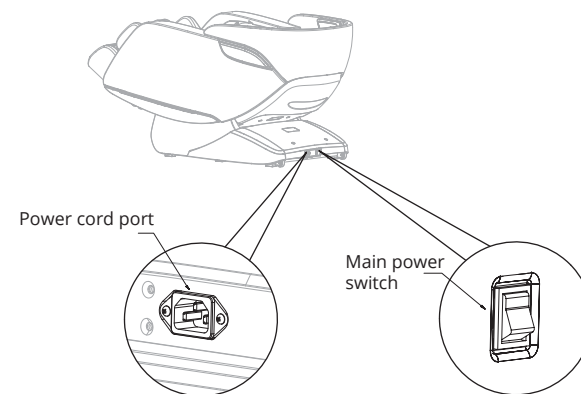


SCAN CODE

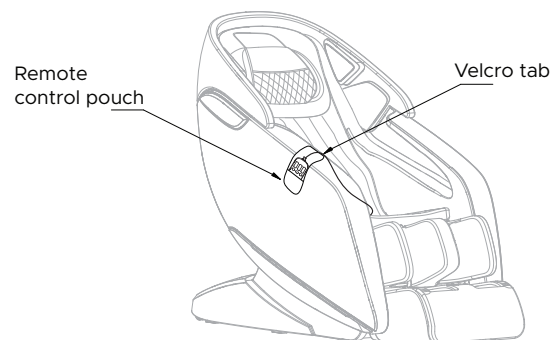
**1 Step 1:** Carefully check box contents to the detail below, making sure all contents are accounted for. **If anything is missing, please contact Kyota Massage Chairs at 800 242-0761. Do not return to the place of purchase.**

Box 1: Chair Body & Accessory Bag	Accessory Bag
	Power Cord
	Philips Screw Driver
	Spare Fuse
	<b>KYOTA</b> Warranty Card
	<b>KYOTA</b> User Manual
	<b>KYOTA</b> Quick Start Guide
	<b>KYOTA</b> Assembly Guide

**3 Step 3:** Connect the chair's power cord to a grounded 110V electrical outlet and plug it into the respective port on the back side of the base of the chair. Flip the main power switch on.



**5 Step 5:** To attach the remote control pouch, locate the velcro tab located under the top of the right arm panel and attach the pouch so that it hangs off the outer edge of the armrest. Your chair is now complete. Sit in and enjoy the comfort of your new Kyota massage chair.



SCAN CODE

Register your product at [www.kyotamassagechairs.com/warranty/registration](http://www.kyotamassagechairs.com/warranty/registration) to ensure it is in our system. This will simplify the warranty process should you ever need it.

Alternatively, scan the QR code to go directly to the URL above.

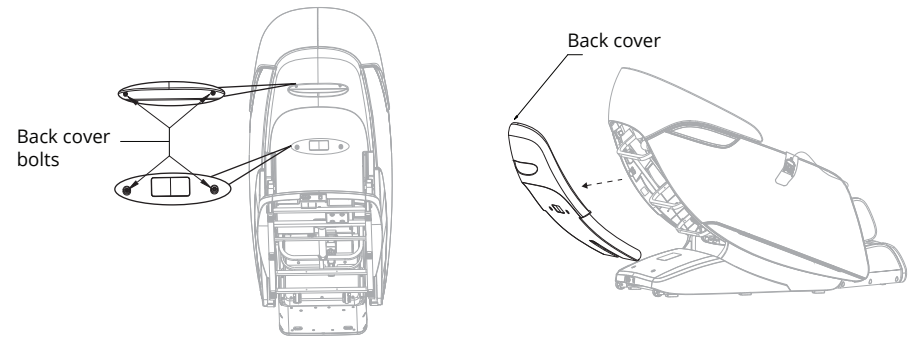
## Genki M380 Massage Chair – Arm Panel Removal Instructions

Removing both arm panels will reduce the overall chair width from 29.5 inches to 28.82 inches.

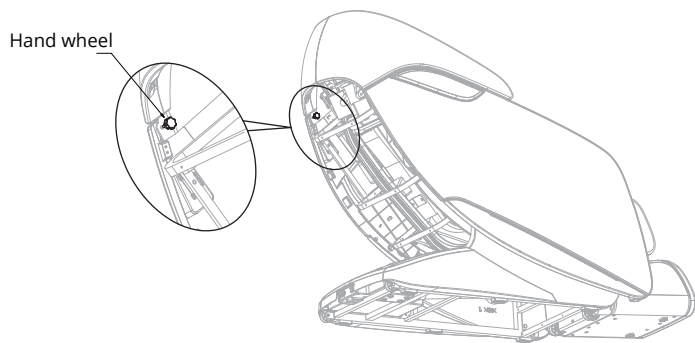
- 1 Step 1:** Using the remote control, press the foot adjust button to raise footrest all the way up. Locate the hand wheel on the inside of the arm panel, underneath the footrest and unscrew completely. Once hand wheel is removed, use the remote control to lower footrest all the way back down.



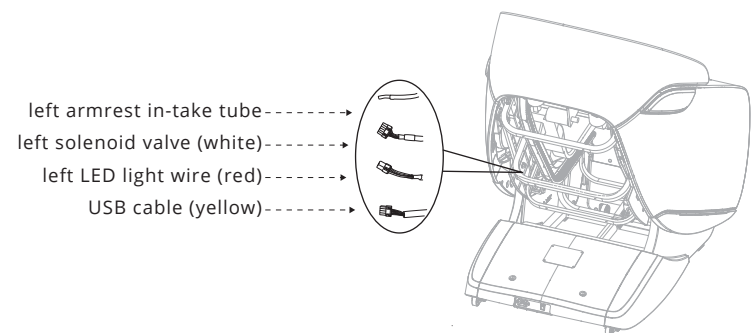
- 2 Step 2:** To remove the back cover of the chair, use the screwdriver provided to unscrew the four back cover bolts. Once unscrewed, take off the back cover.



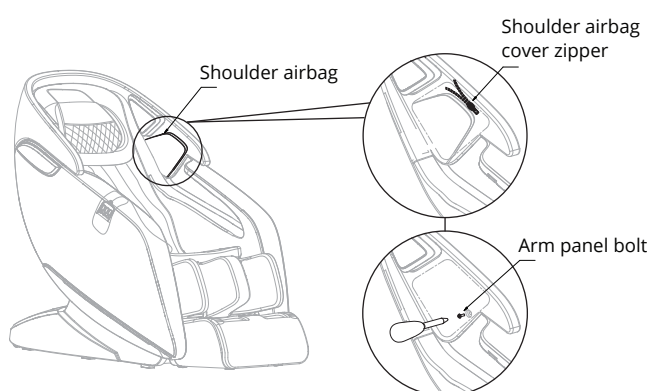
- 3 Step 3:** Locate the hand wheel located inside the chair body towards the top of the arm panel. Unscrew completely.



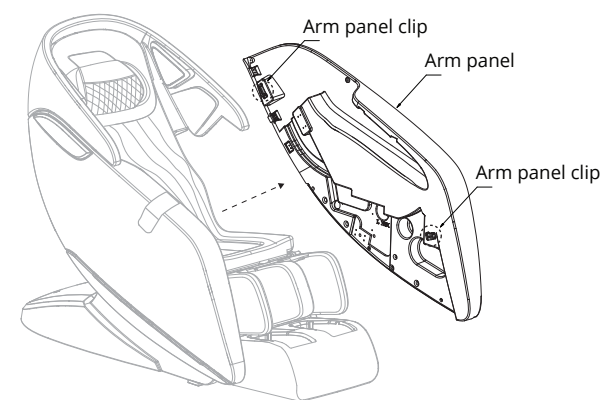
- 4 Step 4:** Locate and unattach the airtubes and electrical wiring located inside the chair body. See diagram for reference.



- 5 STEP 5:** Locate the shoulder airbag and unzip the shoulder airbag cover. Using the screwdriver provided, unscrew the arm panel bolt inside the shoulder airbag cover.



- 6 STEP 6:** To unattach the arm panel from the chair body, get a good hold of the arm panel and pull directly outwards, away from the chair.



## To re-attach the arm panels...

- 7 Step 7:** Align and connect the two arm panel clips to the hinges on the side of the chair body (**location of arm panel clips shown in step 6**). Screw in the two arm panel hand wheels - one in the footrest well (**see step 1 for location**), one inside the back of the chair body (**see step 3 for location**), then, using the screwdriver provided, screw in the arm panel bolt underneath the shoulder airbag cover (**see step 5 for location**).

- 8 Step 8:** Connect the arm panel airtubes and electrical wiring found inside the back of the chair body (**see step 4 diagram for reference**). Reattach the chair body back cover to the chair body and fasten by screwing in the back cover bolts (**see step 2 for location of back cover bolts**).