

Before assembling your chair, watch an assembly video at:
www.infinitymassagechairs.com/assembly-tutorials

Alternatively, scan the QR code to go directly to the URL above.



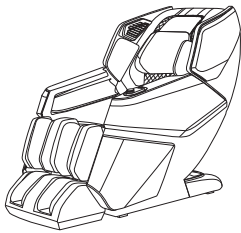
SCAN CODE

1 Step 1:

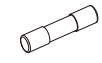
Prior to assembly, carefully unpack all box contents. Check box contents to the detail below. Make sure all contents are accounted for.

If anything is missing, please contact INFINITY at 603-910-5000. Do not return to the place of purchase.

Box 1:



Chair Body



Spare Fuse



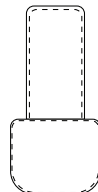
Power Cord



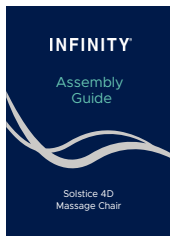
Warranty Card



Remote Control



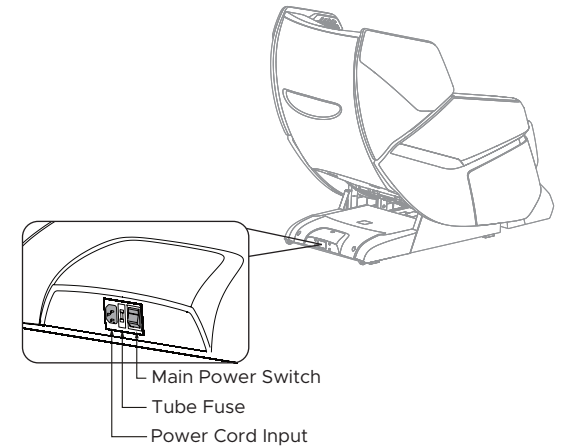
Remote Pouch



2

Step 2:

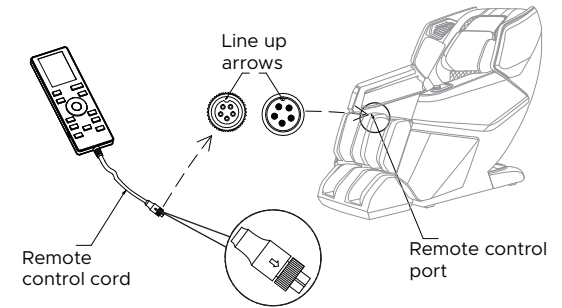
Connect the chair power cord to a grounded 110V electrical outlet and plug it into the respective port on the back side of the base of the chair. Flip the main power switch to on.



3

Step 3:

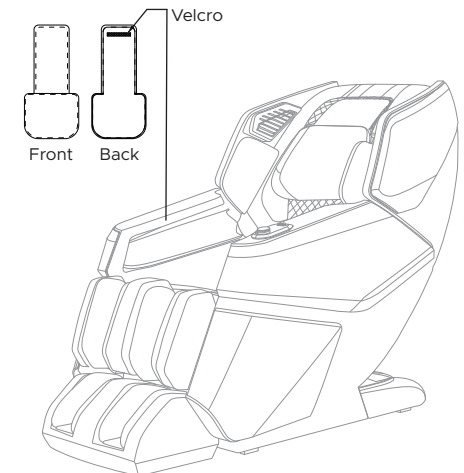
Plug the remote control cord into the remote control port located on the right side of the seat cushion. Ensure the **arrows** on the top of the remote control cord and the remote control port are **lined up**. Screw on to fasten. Do not force.



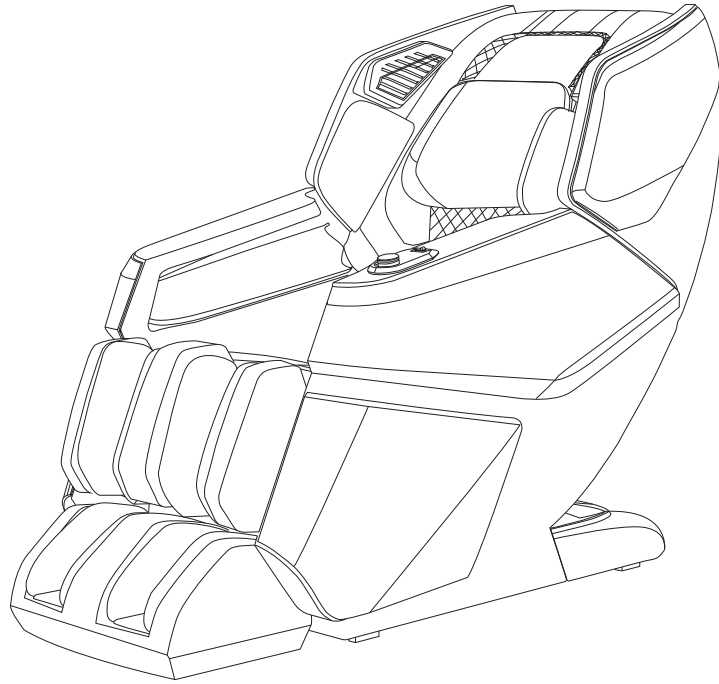
4

Step 4:

Attach the remote pouch to your chair by connecting the velcro found underneath the right arm rest to the velcro tab on the end of the remote pouch. Drape remote pouch over side of chair.



Final Check:



Power on the remote and select AUTO program to start a session.

Review chair for smooth operation. If things are not operating correctly, review all assembly steps. Call Infinity support at 1-603-910-5000 if you need live US-based support.

You are done; time for a Massage!



SCAN CODE

Register your product at www.infinitymassagechairs.com/warranty to ensure it is in our system. This will simplify the warranty process should you ever need it.

Alternatively, **scan the QR code** to go directly to the URL above.

INFINITY®

72 Stard Road, Seabrook, NH 03874 | (603) 910-5000 | www.infinitymassagechairs.com

Version 2.1

INFINITY®

MASSAGE CHAIRS

Assembly Guide

Solstice 4D Massage Chair