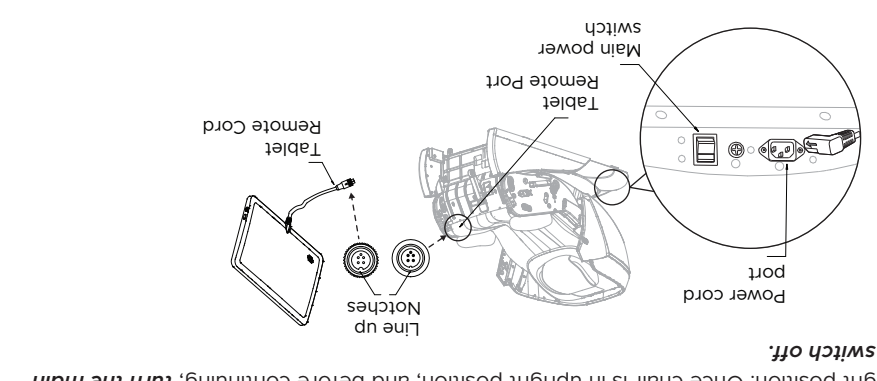
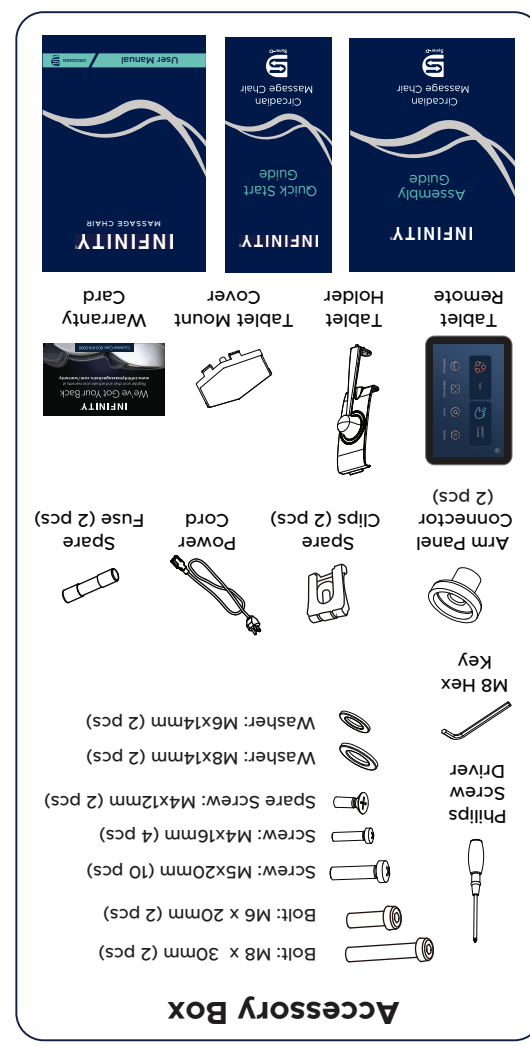
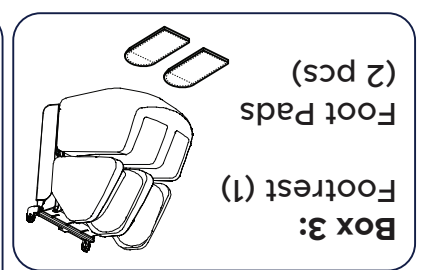
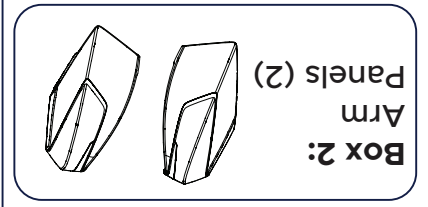
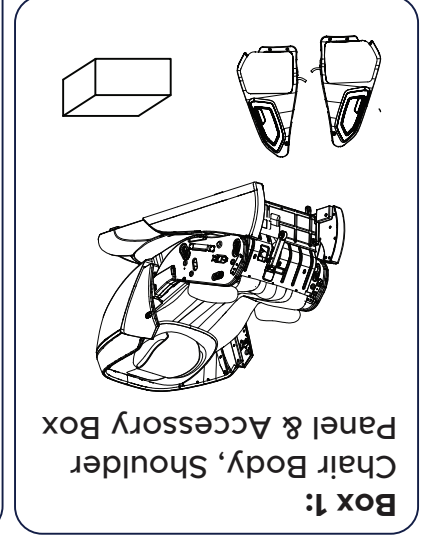
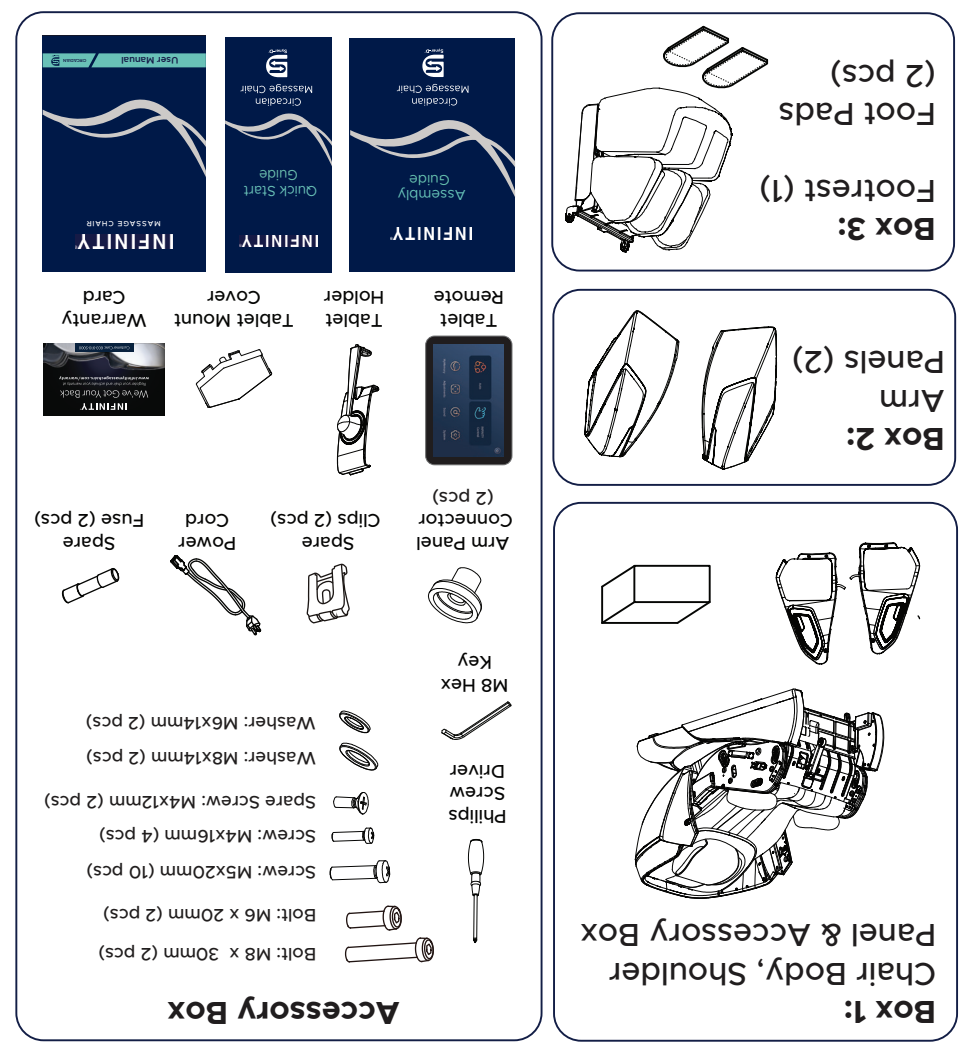


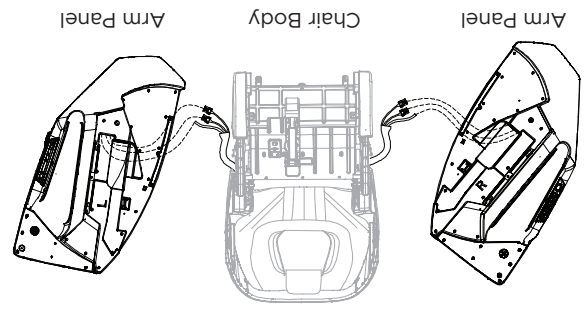


Before assembling your chair, watch an assembly video at: [www.infinitymassagechairs.com/assembly-tutorials](http://www.infinitymassagechairs.com/assembly-tutorials)  
Alternatively, scan the QR code to go directly to the URL above.

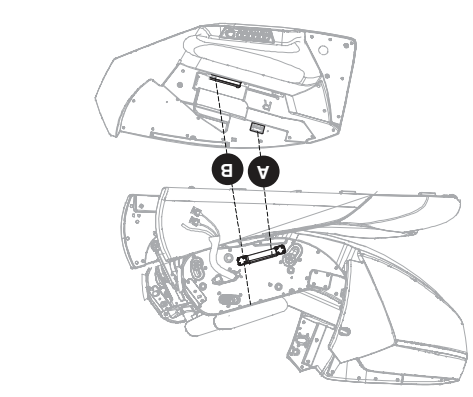
**Step 1:** Prior to assembly, carefully unpack all box contents. Check box contents to the detail below. Make sure all contents are accounted for. If anything is missing, please contact INFINITY at 603-910-5000. Do not return to the place of purchase.



**Step 2:** Connect the chair power cord to a grounded 110V electrical outlet and plug it into the respective port on the back side of the chair. Fill the main power switch to on. Connect the tablet remote cord to the tablet remote port found on the left side of the chair, making sure the notches on either end line up. After the tablet remote turns on, tap OK on the warning screen, then press the power button on the tablet remote to bring the chair into an upright position. Once chair is in upright position, and before continuing, turn the main power switch off.

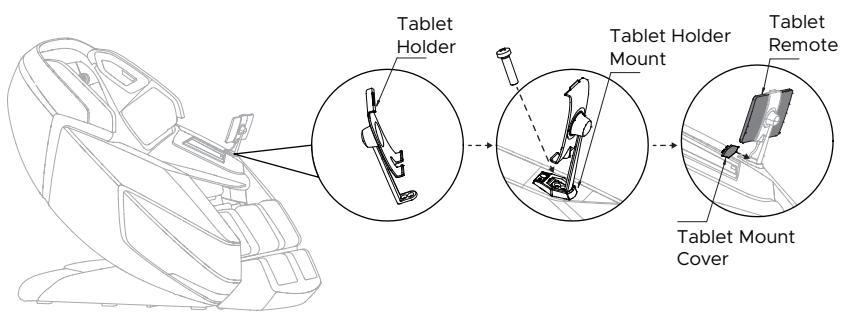


**Step 3:** Place the chair body on a soft surface for assembly. Determine the left arm panel from the right and place next to the correct side of the chair.

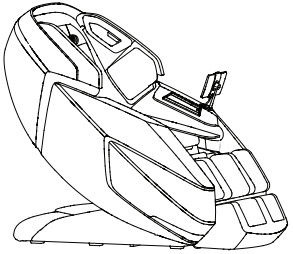


**Step 4:** Note the 2 locations each arm attaches to the chair body; locations A, and B.

**Step 15:** Locate the tablet holder from the accessory box. Use the screw driver to remove the two M4x12mm screws from the tablet holder mount, making sure the mount stays attached to the chair once screws are removed. Place the tablet holder into the tablet holder mount and then re-insert the two M4x12mm screws into the screw holes to secure the holder in place. Next, attach the tablet mount cover to the tablet holder mount and push into place to secure. Place the tablet remote into the tablet holder.



**Step 16:** Flip the Main power switch back ON. Your Circadian Syner-D® Massage Chair is now complete and ready to use. Either wake up the touch screen by tapping on it and then hit POWER or simply long press the POWER button on the quick access panel.



Power on the remote and select AUTO program to start a session. Review chair for smooth operation. If things are not operating correctly, review all assembly steps. Call Infinity support at 1-603-910-5000 if you need live US-based support.  
**You are done; time for a Massage!**



Register your product at [www.infinitymassagechairs.com/warranty](http://www.infinitymassagechairs.com/warranty) to ensure it is in our system. This will simplify the warranty process should you ever need it.  
Alternatively, scan the QR code to go directly to the URL above.

**INFINITY**

72 Stard Road, Seabrook, NH 03874 (603) 910-5000 [www.infinitymassagechairs.com](http://www.infinitymassagechairs.com)  
Version 1.4

**INFINITY**  
MASSAGE CHAIRS

# Assembly Guide

Circadian™  
Massage Chair

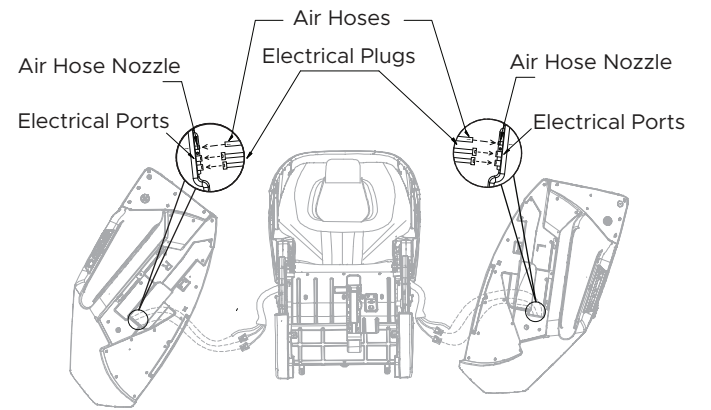


# INFINITY

## MASSAGE CHAIRS

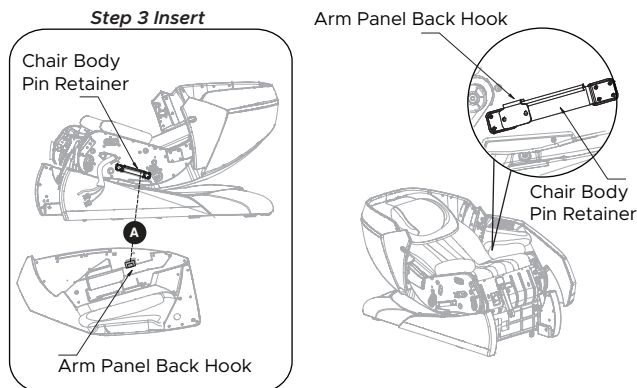
### 5 Step 5:

Locate the electrical plugs off the side of the chair body. Firmly clip electrical plugs into the electrical ports on the arm panels by matching corresponding colors. Locate the Air Hoses off each side of chair body and note each hose has a number. Locate the corresponding number on the Air Ports of each Arm. Firmly connect the hoses to the ports by matching the numbers of each.



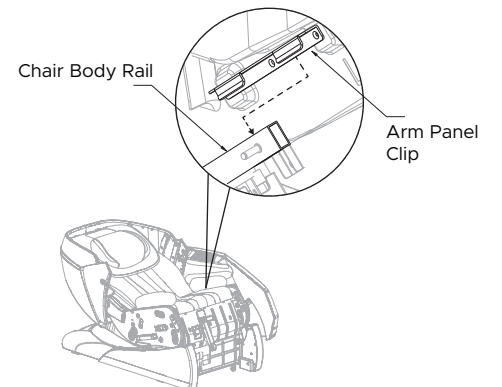
### 6 Step 6:

Carefully lift arm panel and guide the arm panel back hook into the chair body pin retainer (*see step 3 insert*). Make sure the air hoses and electrical wires remain connected and not pinched. Slide the arm panel back towards the chair body as far as it will go.



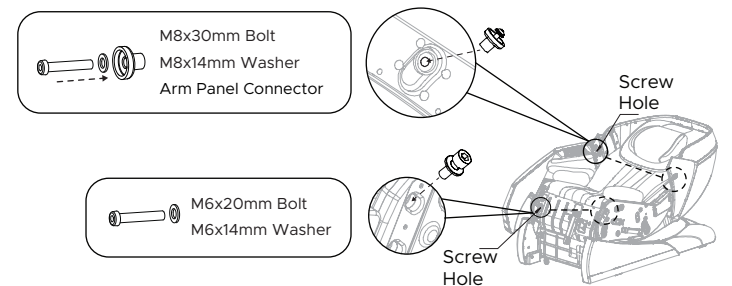
### 7 Step 7:

Next place the arm panel clip on to the chair body rail (*connection location B from step 3*). Ensure the arm panel back hook remains in the chair body pin retainer as you lift up the front of the arm panel slightly to wiggle the arm panel into position. Make sure both connections at point A and B are firmly in place before continuing.



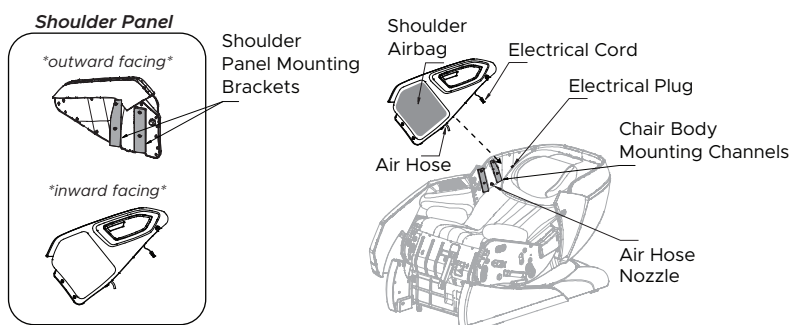
### 8 Step 8:

To secure the arm panel to the chair body, locate the screw hole where the top of the arm panel overlaps the bottom of the shoulder panel. Insert an M8x30mm bolt and M8x14mm washer into the arm panel connector, and then insert into the screw hole. Hand Tighten. Next, locate the holes on the inside of the arm panel by the foot well and insert an M6x20mm Bolt and M6x14mm Washer into the **top hole**. Tighten both bolts with provided hex key. **Repeat steps 6-8 on other side of chair.**



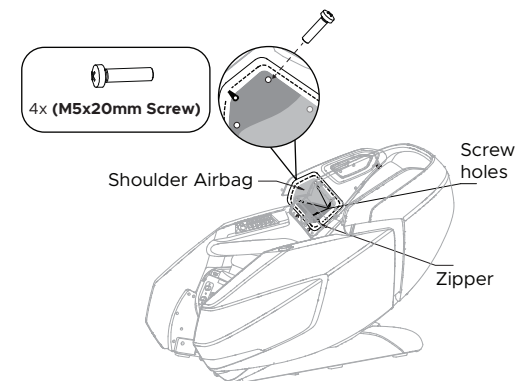
### 9 Step 9:

Before attaching, ensure the airbag on the inward facing side of the shoulder panel is toward the front of the chair. Locate the shoulder panel mounting brackets on the outward facing side of the shoulder panel. Slide the mounting brackets into the chair body mounting channels. Before sliding the shoulder panel all the way on, connect the electrical cord to the electrical plug until it clips, then connect the air hose firmly onto the air hose nozzle. Carefully guide the air hose inside the chair body as you slide the assembly into place firmly down and against the chair body.



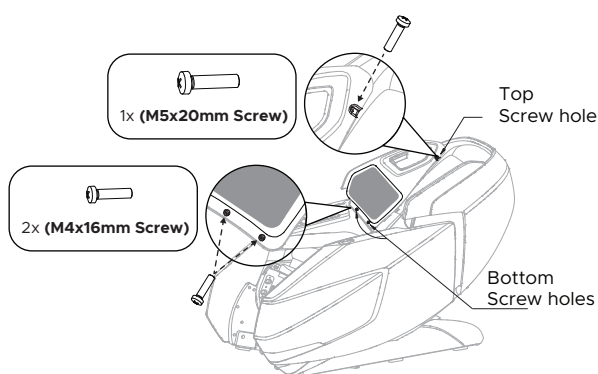
### 10 Step 10:

Once the shoulder panel is in place on the chair body mounting bars, un-zip the zipper found underneath the shoulder airbag for easy access to screw holes. Look under the airbags to expose the screw holes on each side and insert four M5x20mm screws into the screw holes. Tighten with screw driver. Close the shoulder airbag zipper once complete.



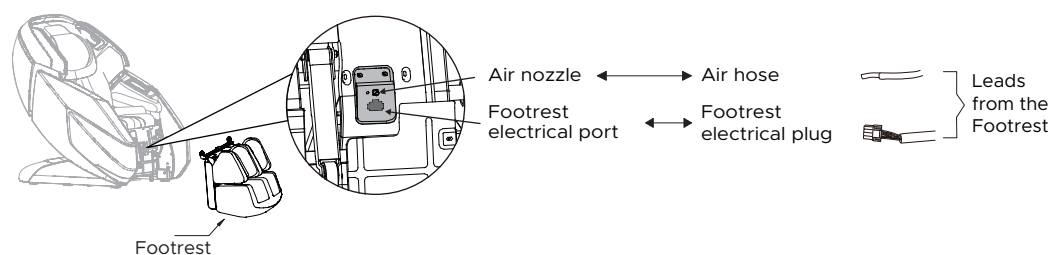
### 11 Step 11:

To secure the shoulder panel to the chair body, insert one M5x20mm screw into the top screw hole, and two M4x16mm screws into the bottom screw holes. Tighten with screw driver.



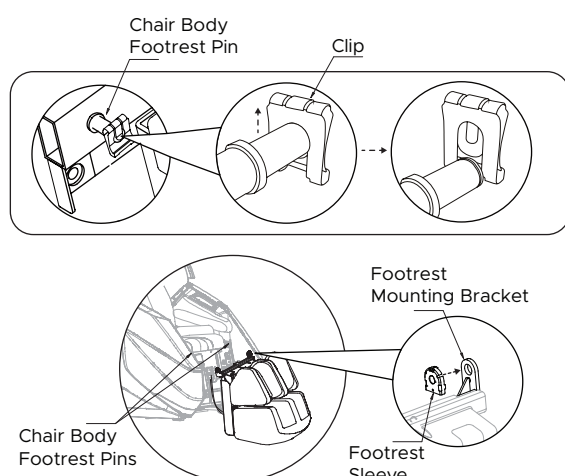
### 12 Step 12:

Before attaching the footrest to the chair body, remove the clips on the chair body footrest pins by sliding up. (If Clips are missing, there are spare clips in the Accessory Box). Next, attach the footrest sleeves to the footrest mounting bracket as shown.



### 13 Step 13:

Remove the footrest from its packaging and position it in front of the main chair body. Connect the footrest electrical plug into the footrest electrical port. Ensure the thumb release is facing up and push in until it clips. Next, slide the air hose firmly onto the air nozzle.



### 14 Step 14:

Lift the footrest and slide one side of the footrest mounting bracket completely onto the chair body pin. Fasten the clip over the pin to secure. Carefully align the other side of the mounting bracket with the remaining pin and slide it on too. Make sure to center the footrest, then fasten the remaining clip over the pin to secure both sides of the footrest.

