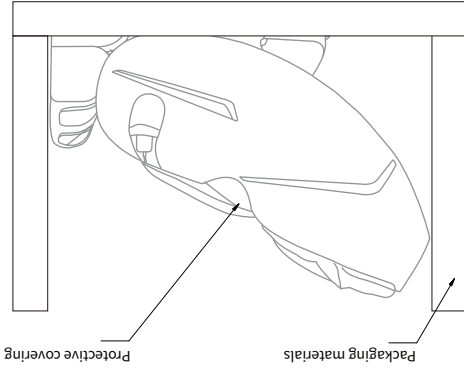


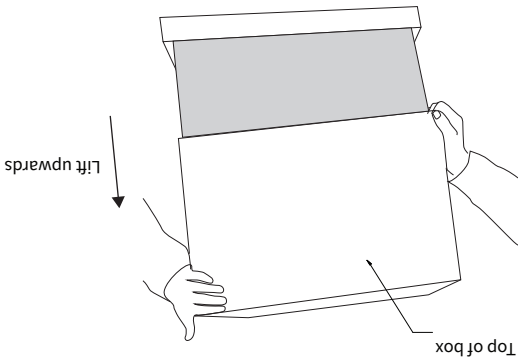
With a partner, lift the chair out of the box. Remove the footrest and place to the side.

### Step 4:



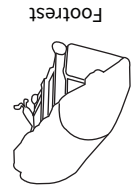
Remove protective covering from the chair.

### Step 3:

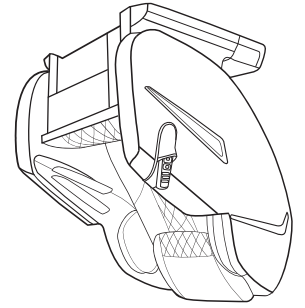


Open the box and remove packaging materials.

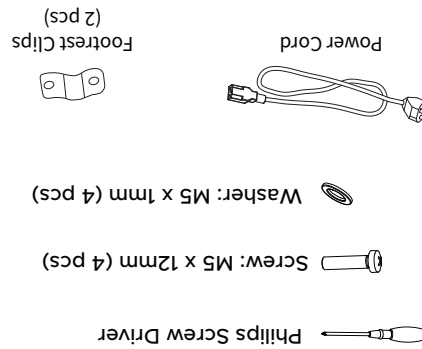
### Step 2:



Footrest



Chair Body & Power Cord



If anything is missing, please contact Rockertech Massage Chairs at 603-910-5000. Do not return to the place of purchase.

Carefully check box contents to the detail below, making sure all contents are accounted for.

### Step 1:

Before assembling your chair, watch an assembly video at: [www.rockertechmassage.com/assembly-tutorials](http://www.rockertechmassage.com/assembly-tutorials)  
Alternatively, scan the QR code to go directly to the URL above.



DO NOT RETURN TO THE STORE



**Congratulations**

on the purchase of your RockerTech® massage chair

US-Based Customer Service  
603-910-5000

#### How can we help?

- Question with assembly? *Check out our online videos*
- Missing parts?
- Damaged part?
- Something not working right?
- Questions on how to operate?

Go to [www.rockertechmassage.com](http://www.rockertechmassage.com) or Call us for Live, US-based Tech Support

**603-910-5000**

or Email us at: [info@rockertechmassage.com](mailto:info@rockertechmassage.com)

DO NOT RETURN TO THE STORE



SCAN CODE

Register your product at [www.rockertechmassage.com/warranty/registration](http://www.rockertechmassage.com/warranty/registration) to ensure it is in our system. This will simplify the warranty process should you ever need it.

Alternatively, scan the QR code to go directly to the URL above.



## Bliss Massage Chair



# Assembly Guide

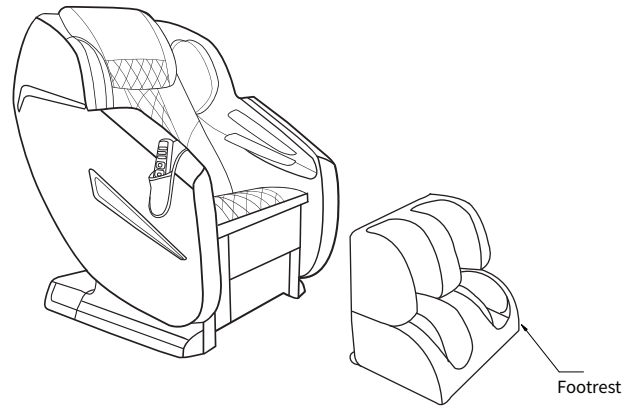


72 Stard Road, Seabrook, NH 03874 | (800)-242-0761 | [www.kyotamassagechairs.com](http://www.kyotamassagechairs.com)

Version 1.0

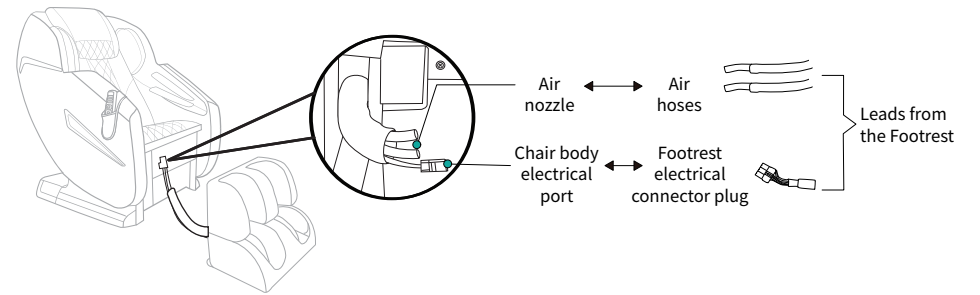
## Step 5:

Remove the protective covering from the footrest and position it in front of the main chair body.



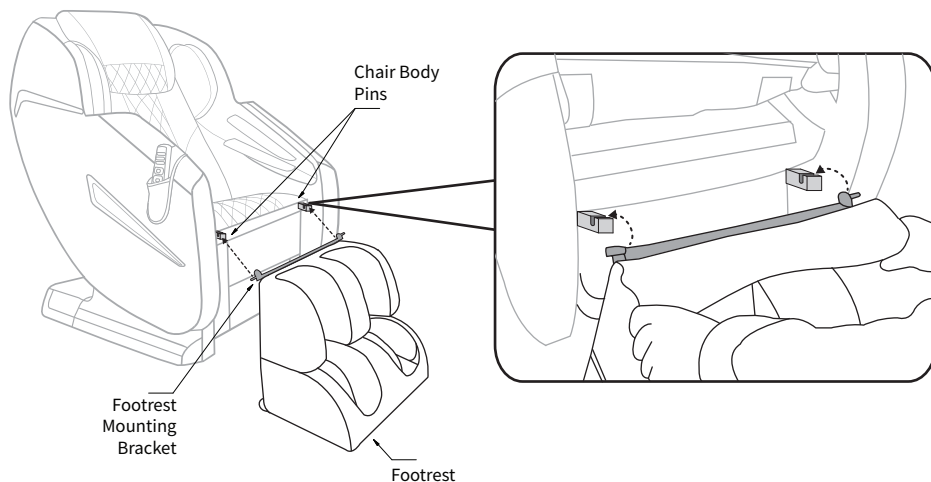
## Step 6:

Connect the footrest by attaching the footrest electrical connector plug into the chair body electrical port. Ensure the thumb release is facing up and push in until it snaps. Slide the air hoses onto the air nozzles, making sure the hoses are all the way on.



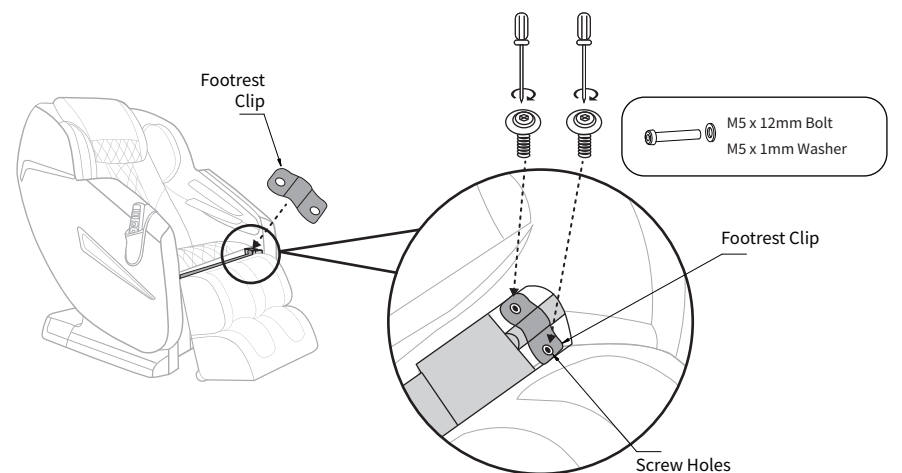
## Step 7:

Lift the footrest and place the footrest mounting bracket onto the chair body pins. Make sure the ends of the footrest mounting bracket rest snugly in the grooves of the chair body pins.



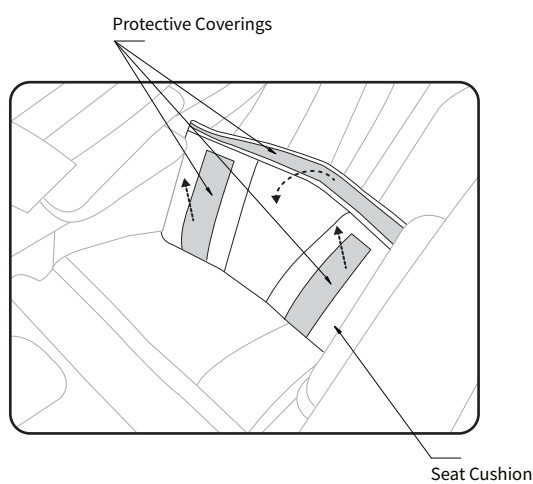
## Step 8:

To attach the footrest to the chair body, place the footrest clips onto the footrest pins on both sides, covering the end of the footrest mounting bracket. Place a **M5 x 12mm screw** and **M5 x 1mm washer** into both screw holes on the top of the footrest clips and tighten with screwdriver provided to secure in place.



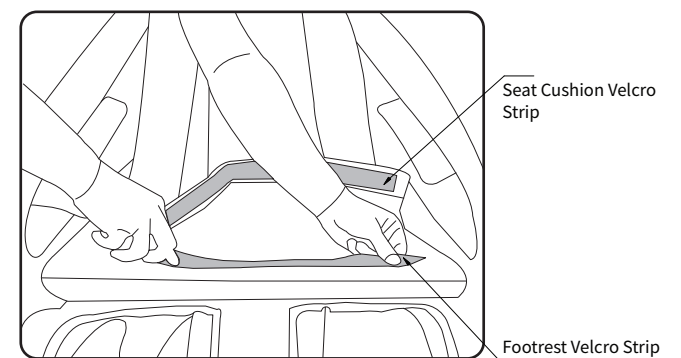
## Step 9:

To properly install the seat cushion, remove and discard the 3 protective covers from the velcro on the underside of the seat cushion.



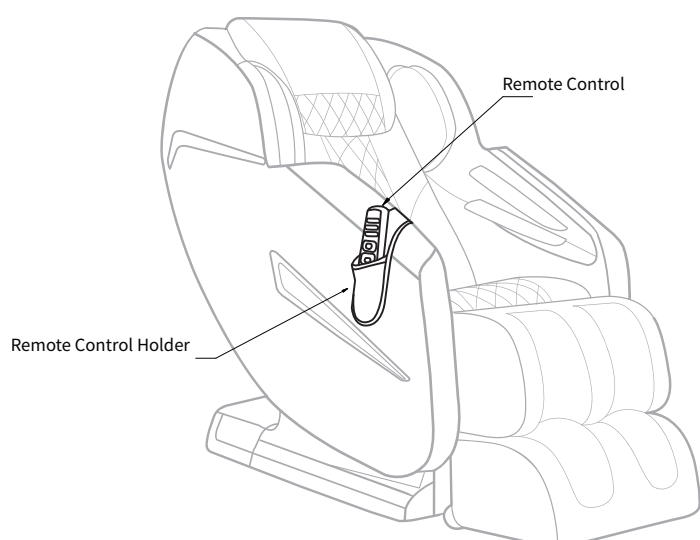
## Step 10:

Place the velcro from the flap on top of the footrest onto the velcro strip on the chair body, then place the seat cushion down, lining up the velcro on the chair body with the seat cushion.



## Step 11:

Your remote control should come already attached to the chair body. Remove the plastic wrapping from the remote control and place it in the remote control holder located on the right arm of the chair.



## Step 12:

Connect the chair's power cord to a grounded 110V electrical outlet and plug it into the respective port on the back side of the base of the chair. Flip the main power switch on.

