

Prior to assembly, carefully unpack all box contents. Check box Make sure all contents are accounted for.  
**If anything is missing, please contact INFINITY at 603-910-5000. Do not return to the place of purchase.**

Before assembling your chair, watch an assembly video at: [www.infinitymassagechairs.com/assembly-tutorials](http://www.infinitymassagechairs.com/assembly-tutorials)  
 Alternatively, scan the QR code to go directly to the URL above.

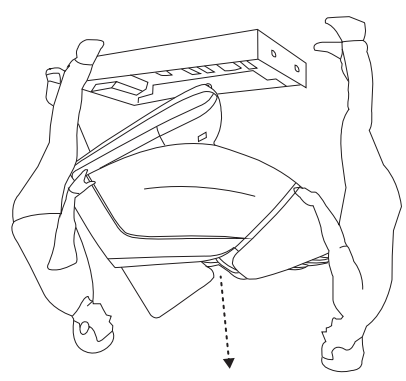


# INFINITY<sup>®</sup>

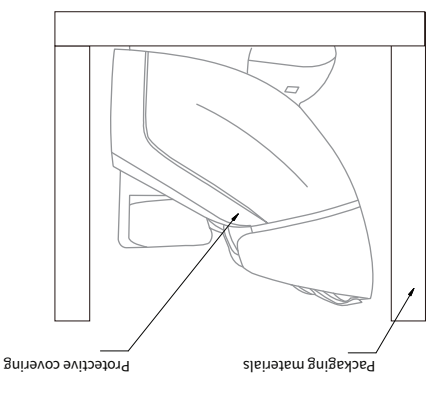
MASSAGE CHAIRS

## Assembly Guide

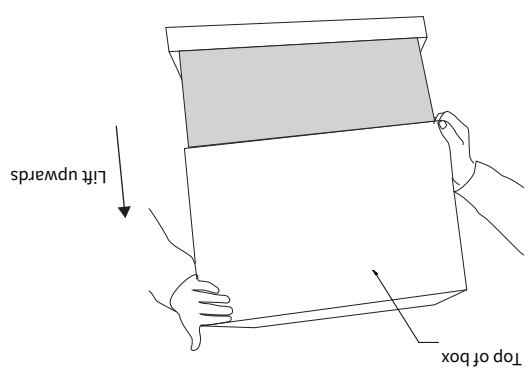
### Mosaic 4D Massage Chair



**3** Step 3: With a partner, lift the chair out of the box.



**2** Step 2: Remove protective covering from the chair.



**1** Step 1: Open the box and remove packaging materials.

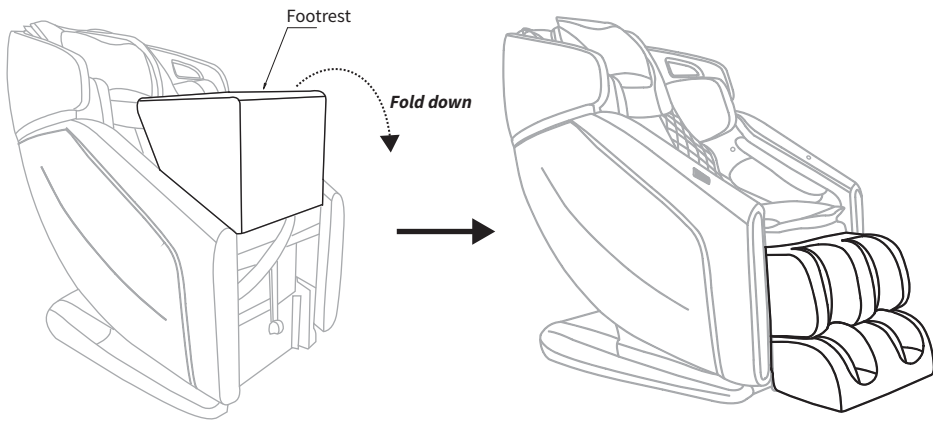
# INFINITY<sup>®</sup>

72 Stard Road, Seabrook, NH 03874  
 (603) 910-5000  
[www.infinitymassagechairs.com](http://www.infinitymassagechairs.com)  
 Version 1.0

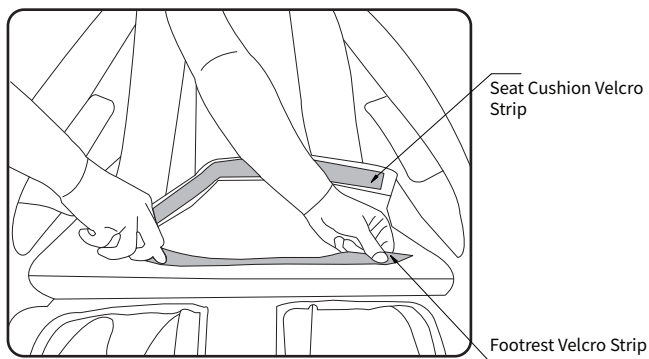
# INFINITY

MASSAGE CHAIRS

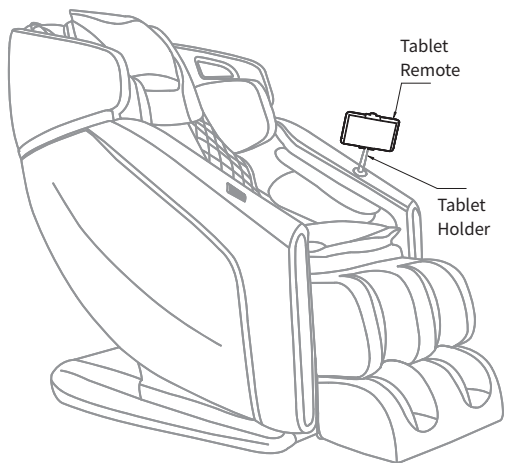
- 4 Step 4:** Fold down footrest. Remove the protective covering from footrest.



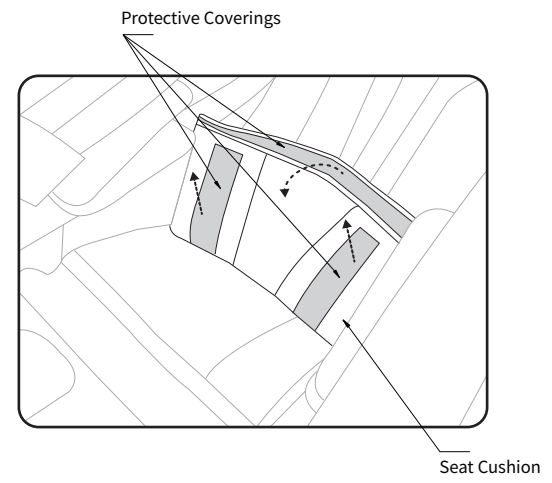
- 6 Step 6:** Place the velcro from the flap on top of the footrest onto the velcro strip on the chair body, then place the seat cushion down, lining up the velcro on the chair body with the seat cushion.



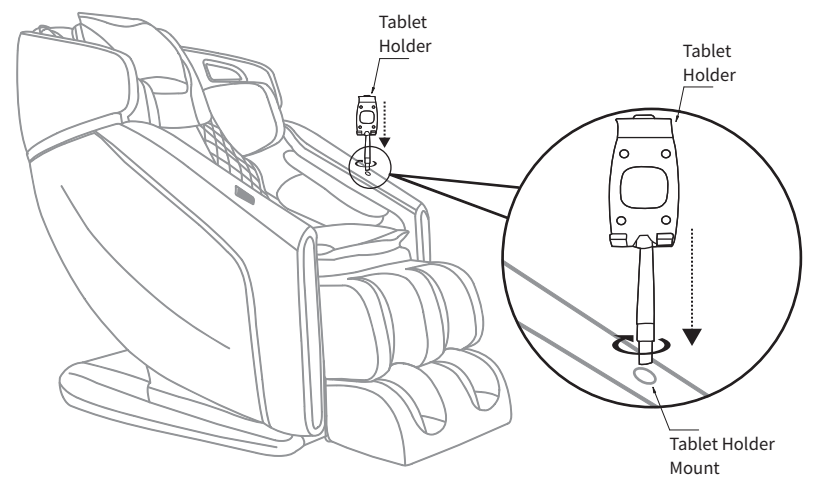
- 8 Step 8:** Place the tablet remote into the tablet holder.



- 5 Step 5:** To properly install the seat cushion, remove and discard the 3 protective covers from the velcro on the underside of the seat cushion.



- 7 Step 7:** Locate the tablet holder from the accessory box. Place the tablet holder into the tablet holder mount and screw in clockwise to secure.



- 9 Step 9:** Connect the chair's power cord to a grounded 110V electrical outlet and plug it into the respective port on the back side of the base of the chair. Flip the main power switch on.

