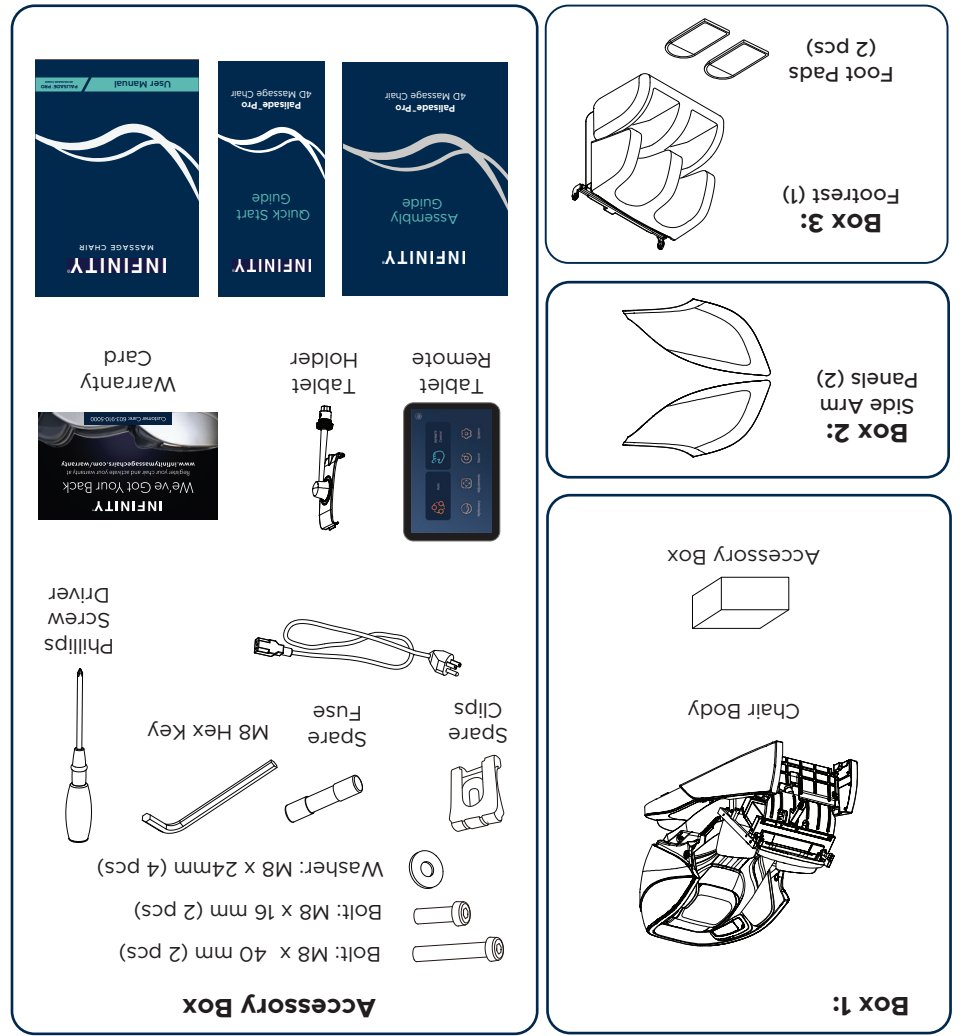




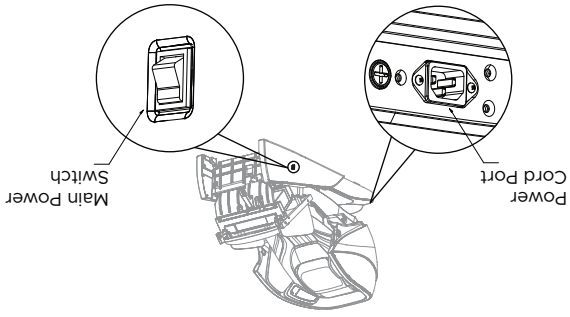
Alternatively, scan the QR code to go directly to the URL above.  
[www.infinitymassagechairs.com/assembly-tutorials](http://www.infinitymassagechairs.com/assembly-tutorials)  
 Before assembling your chair, watch an assembly video at:

**If anything is missing, please contact INFINITY at 603-910-5000. Do not return to the place of purchase.**

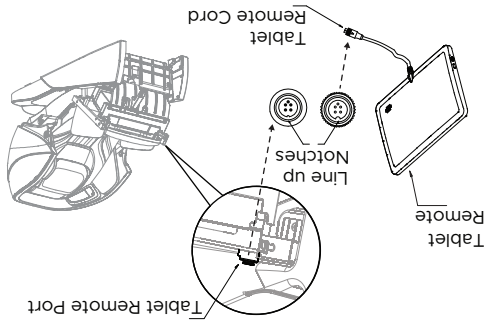


**Step 1:** Prior to assembly, carefully unpack all box contents. Check box contents to the detail below. Make sure all contents are accounted for.

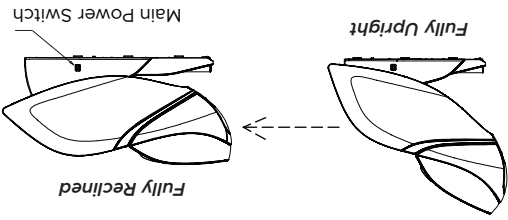
**Step 2:** Connect the chair power cord to a grounded 110V electrical outlet and plug it into the respective port on the back of the chair. Flip the main power switch to on.



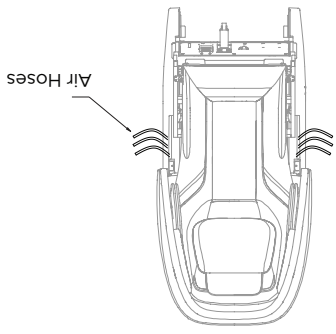
**Step 3:** Plug the tablet remote cord into the tablet remote port located on the front of the chair body and fasten. Ensure the notch on the tablet remote cord lines up with the notch on the tablet remote port before inserting. Screw on metal ring to fasten. Do not force.



**Step 4:** If the chair is not already in full recline, press the power button on the tablet remote to power on. From the home screen, navigate to the **adjustments** screen, and then press and hold the **back adjust** button until the chair is fully reclined. Once fully reclined, turn off main power switch.

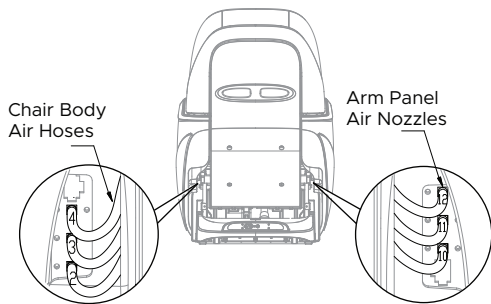


**Step 5:** Locate air hoses on the side of the chair body. To avoid pinching them while installing the arm panels, push them further into the frame.



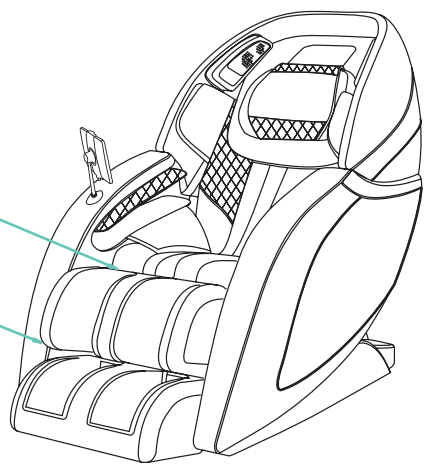
**Final Check:**

Double check that all airhose and electrical wires are still firmly connected in the back of the chair under the armrests. You can see the connections in the back of the chair, underneath the arms when fully upright.



Zipper the closure between the Footrest and Chair Body

Ensure the Footrest assembly swings freely up and down, Electrical connections are firmly attached and air hose is secure. Remove the foot pads to **increase foot roller intensity**, if desired.



Review chair for smooth operation. If things are not operating correctly, review all assembly steps. Call Infinity support at 1-603-910-5000 if you need live US-based support.

If you wish to use an APP to control the chair, download from the Apple or Google app store and follow pairing instruction found within the APP.

**You are done; time for a Massage!**

Power on the remote and select AUTO program to start a session.



Register your product at [www.infinitymassagechairs.com/warranty](http://www.infinitymassagechairs.com/warranty) to ensure it is in our system. This will simplify the warranty process should you ever need it.

Alternatively, scan the QR code to go directly to the URL above.

**INFINITY**

72 Stard Road, Seabrook, NH 03874 | (603) 910-5000 | [www.infinitymassagechairs.com](http://www.infinitymassagechairs.com)

Version 1.1

**INFINITY**  
 MASSAGE CHAIRS

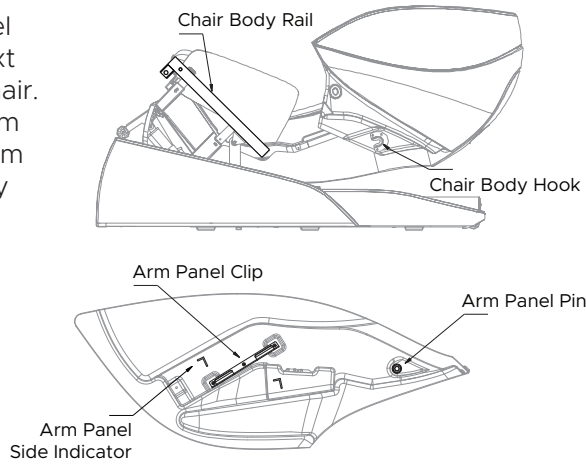
Assembly Guide

**Palisade™ Pro**  
 4D Massage Chair

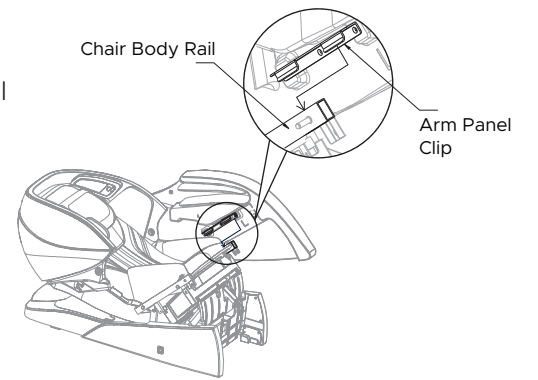
# INFINITY

## MASSAGE CHAIRS

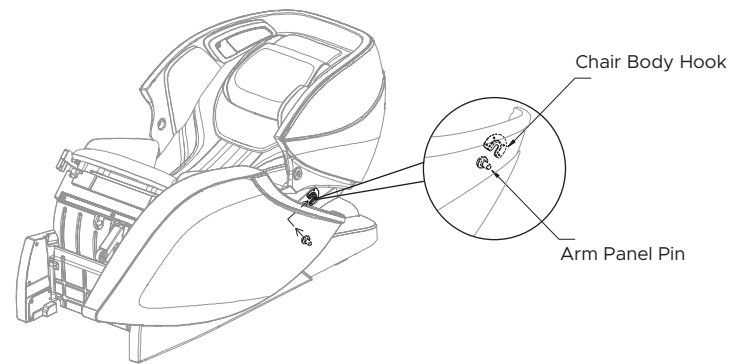
**6 Step 6:** Determine the left arm panel from the right and place next to the correct side of the chair. Note the locations of the arm panel clip, chair body rail, arm panel pin and the chair body hook.



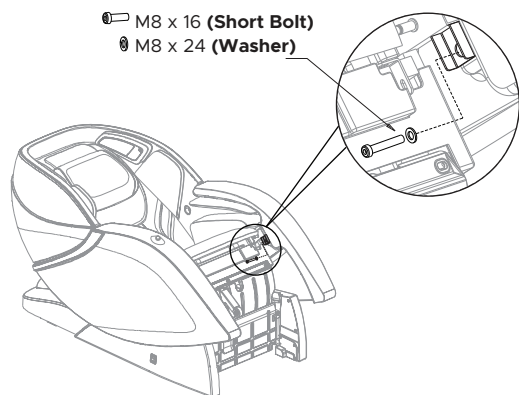
**7 Step 7:** To attach the arm panel to the chair body, place the arm panel clip over the chair body rail.



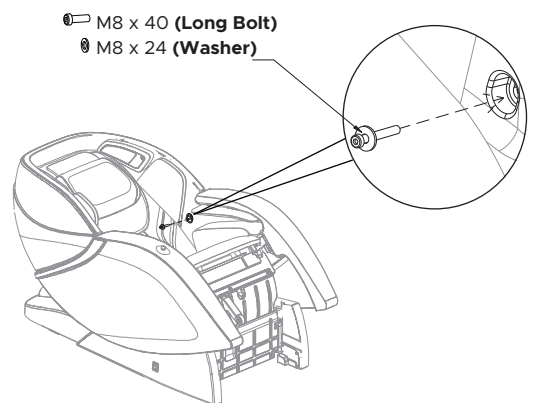
**8 Step 8:** Ensure the arm panel clip remains on the chair body rail as you lift up the front of the arm panel slightly. Place your free hand on the back of the arm panel pushing it in towards the chair body, then push down on the front of the arm panel and slide the arm back so that the chair body hook aligns with the arm panel pin. Make sure that the hook and the pin are firmly in place before moving onto the next step.



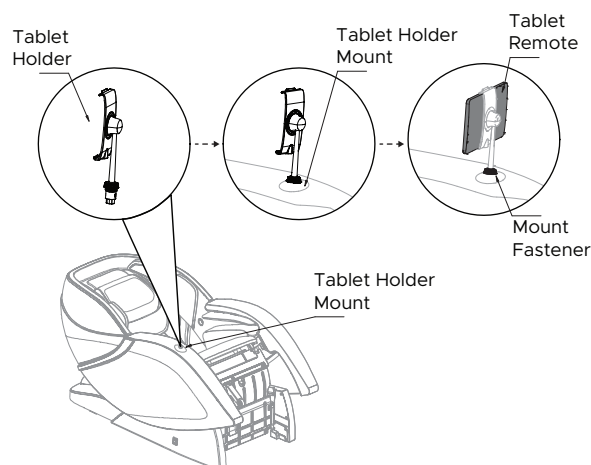
**9 Step 9:** To secure the arm panel to the chair body, locate the screw holes by the foot well of the chair body and insert the short black screw and washer. Hand-tighten.



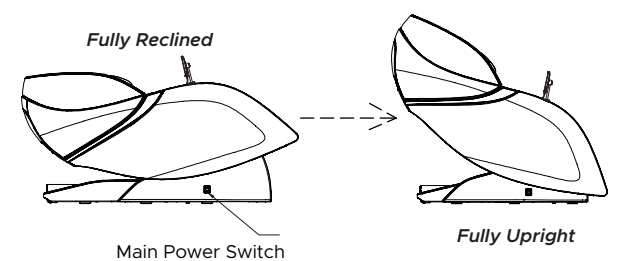
**10 Step 10:** Next, locate the screw holes underneath the shoulder airbags. Pull back the Velcro cover and insert the long silver screw and washer. Tighten by hand, then finish the whole side with the hex key. Close velcro back up.



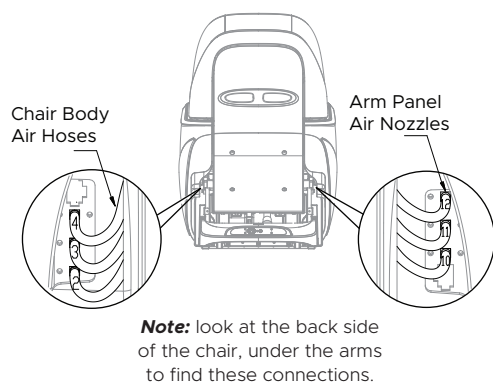
**11 Step 11:** Locate the tablet holder from the accessory box. Place the tablet holder into the tablet holder mount, making sure to line up the bottom post of the tablet holder with the inside of the mount, screw down mount fastener to secure. Place the tablet remote into the tablet holder.



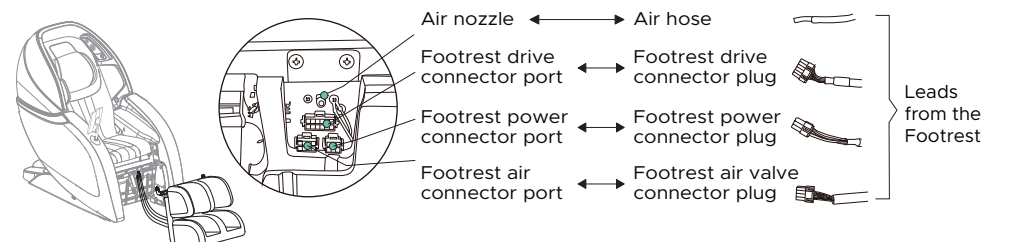
**12 Step 12:** Turn the main power switch on. Press the power button on the tablet remote. From the home screen, navigate to the **adjustments** screen, and then press and hold the **back adjust** up button until the chair is fully upright.



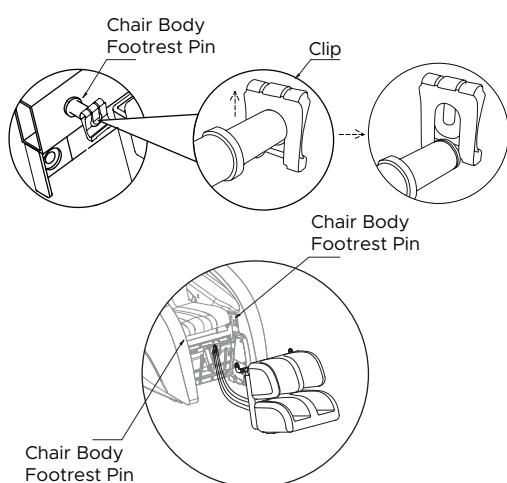
**13 Step 13:** To finish each arm, locate the air hoses you previously tucked into the chair body frame and connect to the air nozzles located on the back of the arm panel. Make sure to connect the corresponding hoses to their nozzles by matching the numbers. Repeat on other side.



**14 Step 14:** Remove the footrest from its packaging and position it in front of the main chair body. Connect the footrest by attaching the three white plugs from the footrest into their respective ports on the body of the chair. Ensure the thumb release is facing up and push in until it clips. Slide the air hose onto the white air nozzle.



**15 Step 15:** Before attaching the footrest to the chair body, remove the clips on the chair body pins by sliding up. (If clips are missing, there are spare clips in the Accessory Box)



**16 Step 16:** Lift the footrest and slide one side of the mounting bracket completely onto the chair body pin. Fasten the clip over the pin to secure. Carefully align the other side of the mounting bracket with the remaining pin and slide it on too. Make sure to center the footrest, then fasten the remaining clip over the pin to secure both sides of the footrest.

