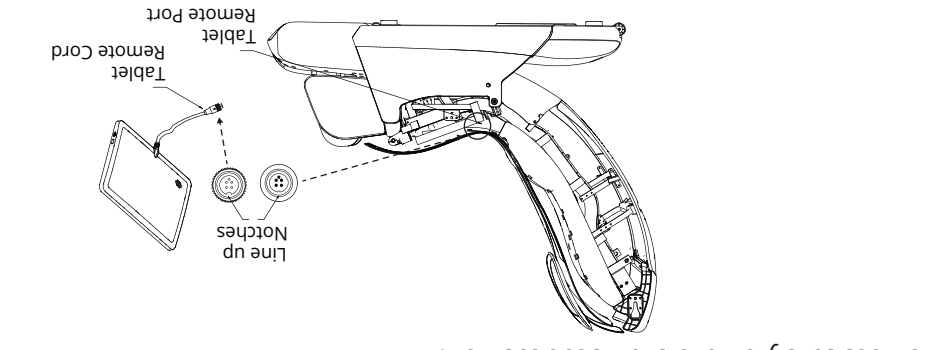
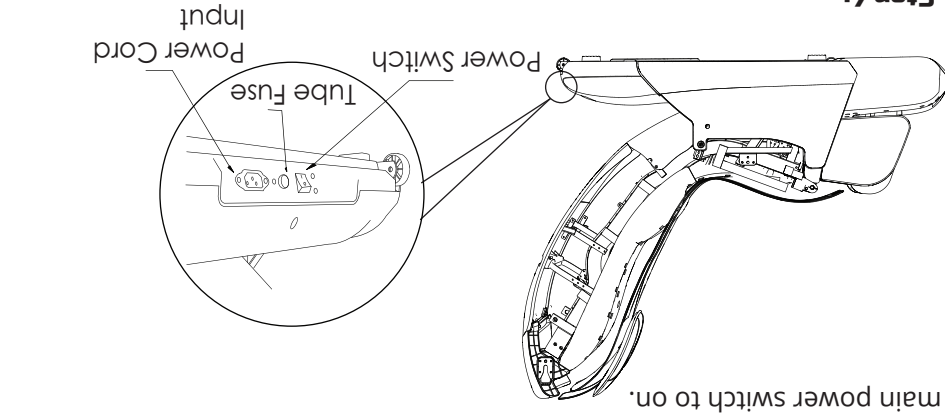


Step 1: Carefully check box contents to the detail below, making sure all contents are accounted for. If anything is missing, please contact Kyota Massage Chairs at 603-910-5333. Do not return to the place of purchase.

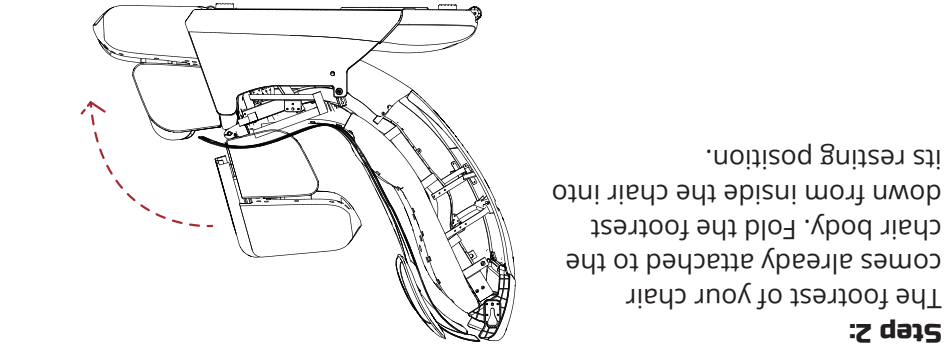
Before assembling your chair, watch an assembly video at: www.kyotamassagechairs.com/assembly-tutorials. Alternatively, scan the QR code to go directly to the URL above.



Step 4: Connect the tablet remote cord to the tablet remote port found on the right hand side of the seat, making sure the notches on either end line up. Press and hold the power button on the tablet remote to bring the chair into an upright position. Once the chair is in the upright position, and before continuing, **turn the main power switch off**, and place the tablet remote safely on the chair seat cushion.



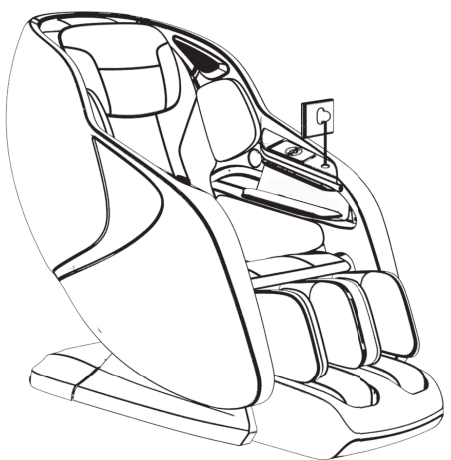
Step 3: Connect the chair power cord to a grounded 110V electrical outlet and plug it into the respective port on the back side of the base of the chair. Flip the main power switch to on.



Step 2: The footrest of your chair comes already attached to the chair body. Fold the footrest down from inside the chair into its resting position.

Final Check:

Step 13: Flip the Main power switch back ON. Your Joubu M880 4D Massage Chair is now complete and ready to use. Long press the POWER button in the upper right corner to turn on the tablet.



Note: you will have hardware (screws, bolts, screw housing) leftover after assembly. Use these as spare parts.



Select AUTO program to start a session.

Review chair for smooth operation. If things are not operating correctly, review all assembly steps. Call Kyota support at 1-603-910-5333 if you need live US-based support.

You are done; time for a Massage!



Register your product at www.kyotamassagechairs.com/warranty/registration to ensure it is in our system. This will simplify the warranty process should you ever need it. Alternatively, scan the QR code to go directly to the URL above.

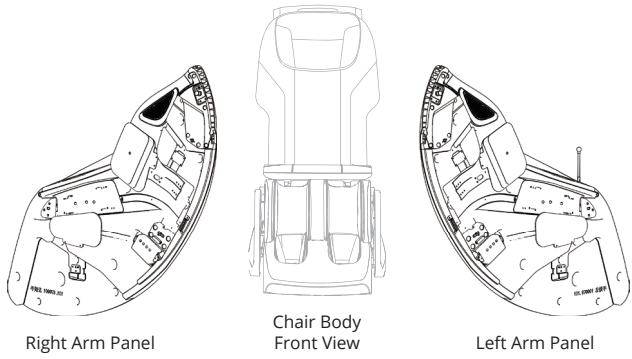
KYOTA | The World's Most Advanced Massage Chairs®



Assembly Guide

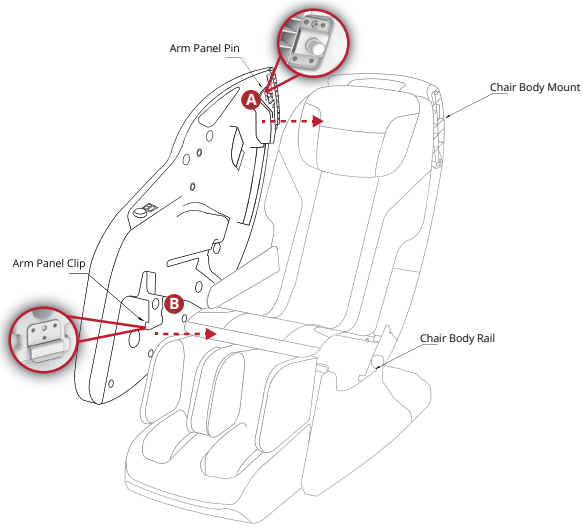
Joubu M880 4D Massage Chair

5 Step 5:
Determine the left arm panel from the right and place next to the correct side of the chair.

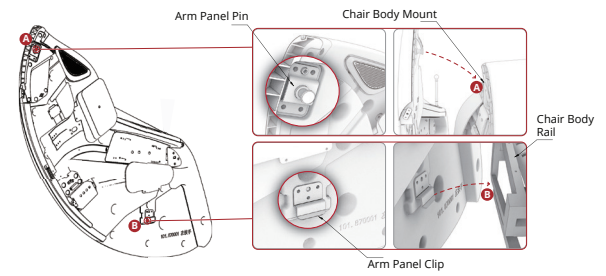


7 Step 7:
Starting with the right arm panel. Carefully lift arm panel, and align the arm panel pin with the chair body mount (location A) and push down into place.

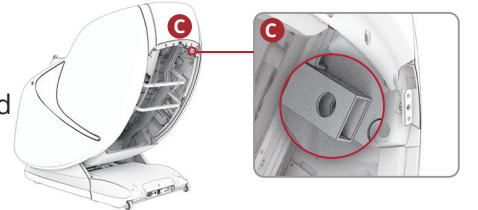
Once the pin is secure, pivot the arm panel clip down onto the chair body rail (location B). Make sure the arm panel pin stays inserted into the chair body mount.



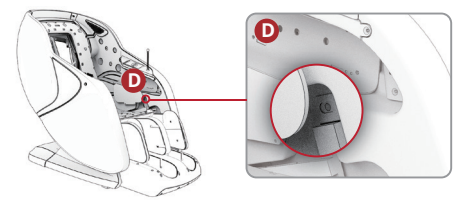
6 Step 6:
Locate and note the two locations that the arm panel attaches to the chair body:
Location A - Arm panel pin slides into chair body mount.
Location B - Arm panel clip mounts onto chair body rail.



8 Step 8:
To secure the arm panel to the chair body, locate the long, silver M8x40mm Bolt, the large screw housing and hex key from the Accessory Box. Insert the bolt through the large screw housing and fasten bolt onto chair at location C which is accessed through the back of the chair body.



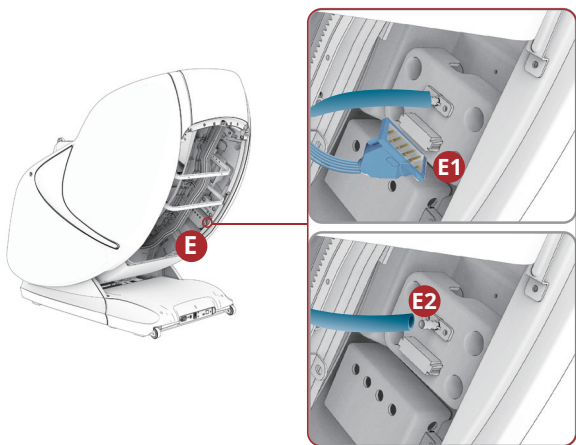
Locate the short M8x25mm Bolt and the large screw housing from the Accessory Box for Location D. Location D is accessed by peeling the seat cushion back to reveal the screw hole. Insert the bolt through the large screw housing and fasten bolt onto chair at location D.



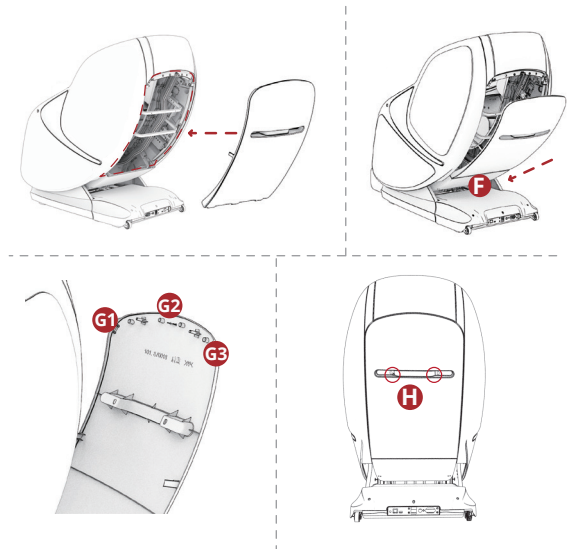
Repeat steps 7 & 8 with remaining arm panel.

9 Step 9:
Starting with the right arm panel, connect the arm panel electrical plug to the chair body electrical port until it clicks into place; location E1. Then slide the arm panel air hose on to the chair body air nozzle; location E2.

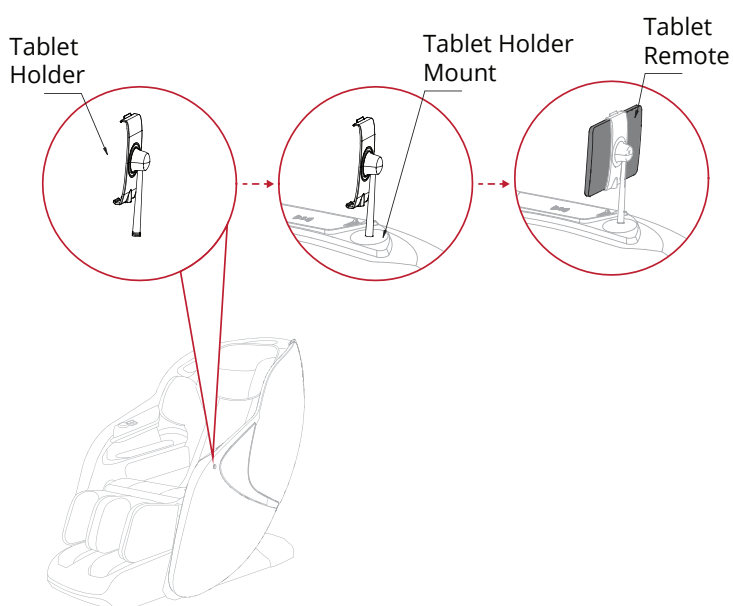
You will access this step from location E in the open cavity at the back of the chair body. Once complete, repeat step on left arm panel.



10 Step 10:
Align the tabs on the bottom of the back cover with the back of the chair body and insert the tabs into the notches on the bottom of the chair body (see location F). Next, swing the back cover up completely onto the chair body, making sure that the back cover inserts firmly in to the chair body (see locations G1, G2, and G3). Firmly push the back cover at locations G1, G2, and G3 to make sure it is attached. Next, attach the small screw housings onto the M5x10mm screws (2) and insert them into the screw holes in location H. Secure screws into place with screwdriver.



11 Step 11:
Locate the tablet holder from Box 2. Place the tablet holder onto the tablet holder mount, making sure to line up the bottom post of the tablet holder with the inside of the mount, then screw into place to secure. Place the tablet remote into the tablet holder.



12 Step 12:
Zipper the back cushion to the chair body in all 4 locations; locations I & J are located on the sides of the back cushion, locations K & L are located at the front of the seat cushion.

