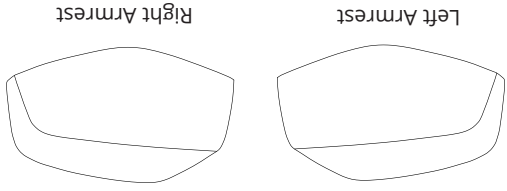


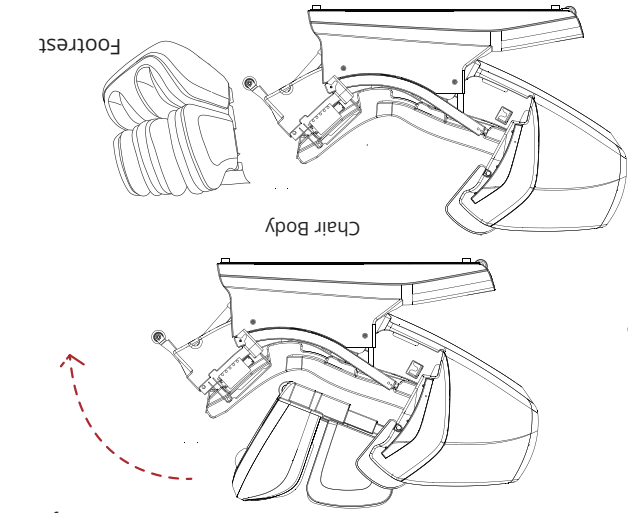
Flip main power switch to ON in the back for the chair. Tablet will power up. Tap power on screen. Tap Confirm to acknowledge Warning Screen. Next tap the power button in the lower left of the screen to power down - this will upright the chair. After chair is upright, remove the tablet and safely store. Turn OFF the main power switch in the back of the chair.

Next attach the tablet to the chair using the connection port on the left side of the chair (B). Be careful to line up the pins and key then push together when aligned - do not force.

**Step 4:** Connect the chair power cord to a grounded 110V electrical outlet and plug it into the respective port on the back side of the chair (A).



**Step 3:** Lift out the left and right armrest and place flat on the floor (be careful not to scratch). Note, the arms are marked R and L on the inside panels for Right and Left.

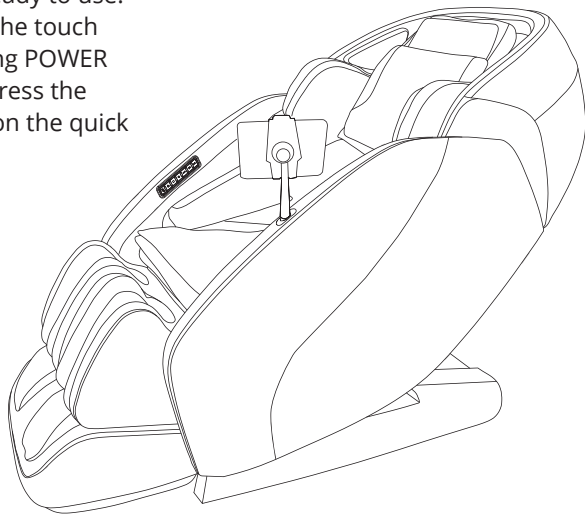


**Step 2:** Remove the packing contents and plastic cover off of the chair. Lift the footrest off of the main body of the chair and place on floor. Then lift main body out of the bottom cardboard base. This will require two people.

Lorem ipsum

## Final Check:

**13 Step 13:** Flip the Main power switch back ON. Your Hatsumeime™ M900 Massage Chair is now complete and ready to use. Either wake up the touch screen by tapping POWER or simply long press the POWER button on the quick access panel.



Power on the remote and select AUTO program to start a session.



Review chair for smooth operation. If things are not operating correctly, review all assembly steps. Call Kyoto support at 1-603-910-5333 if you need live US-based support.

**You are done; time for a Massage!**



SCAN CODE

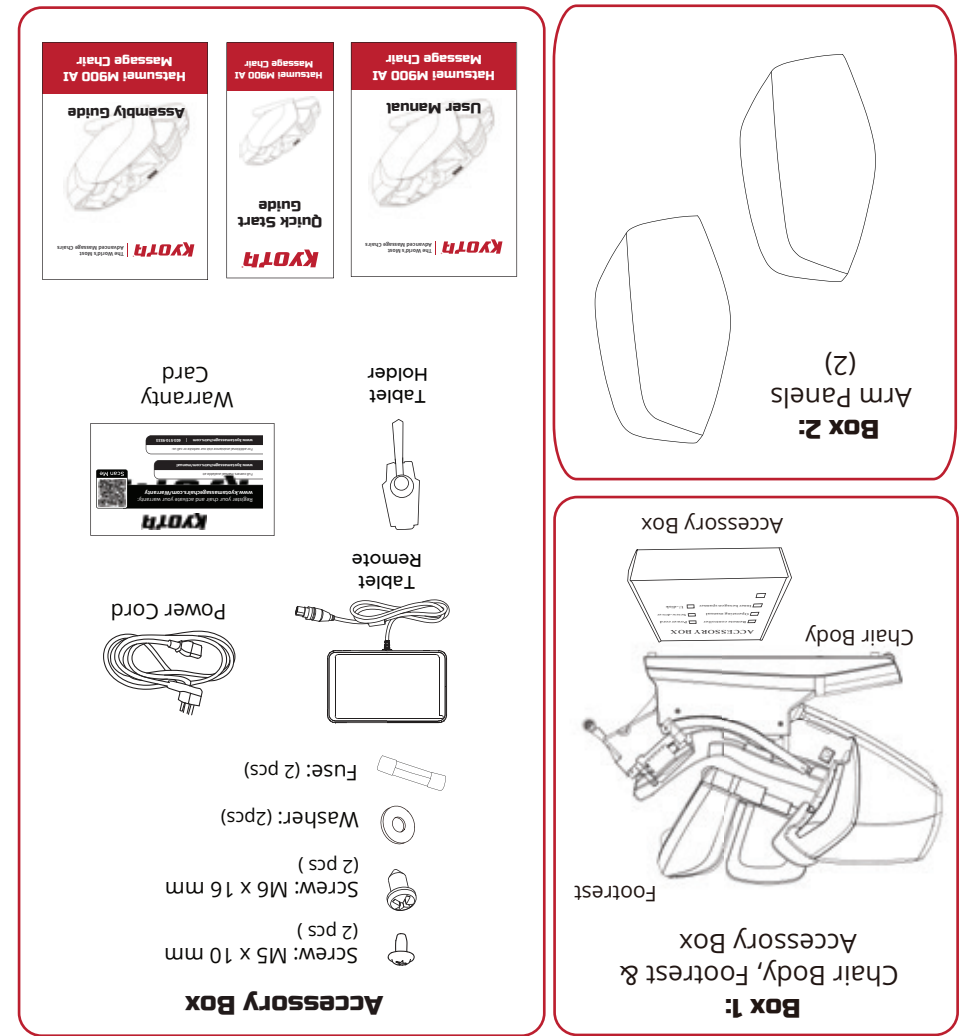
Register your product at [www.kyotamassagechairs.com/warranty/registration](http://www.kyotamassagechairs.com/warranty/registration) to ensure it is in our system. This will simplify the warranty process should you ever need it.

Alternatively, scan the QR code to go directly to the URL above.

**KYOTA** | The World's Most Advanced Massage Chairs®

72 Stard Road, Seabrook, NH 03874 | (603) 910-5333 | [www.kyotamassagechairs.com](http://www.kyotamassagechairs.com)

Version 1.1



**STEP 1:** Carefully check box contents to the detail below, making sure all contents are accounted for. You will need a Phillips head screwdriver to complete this assembly.

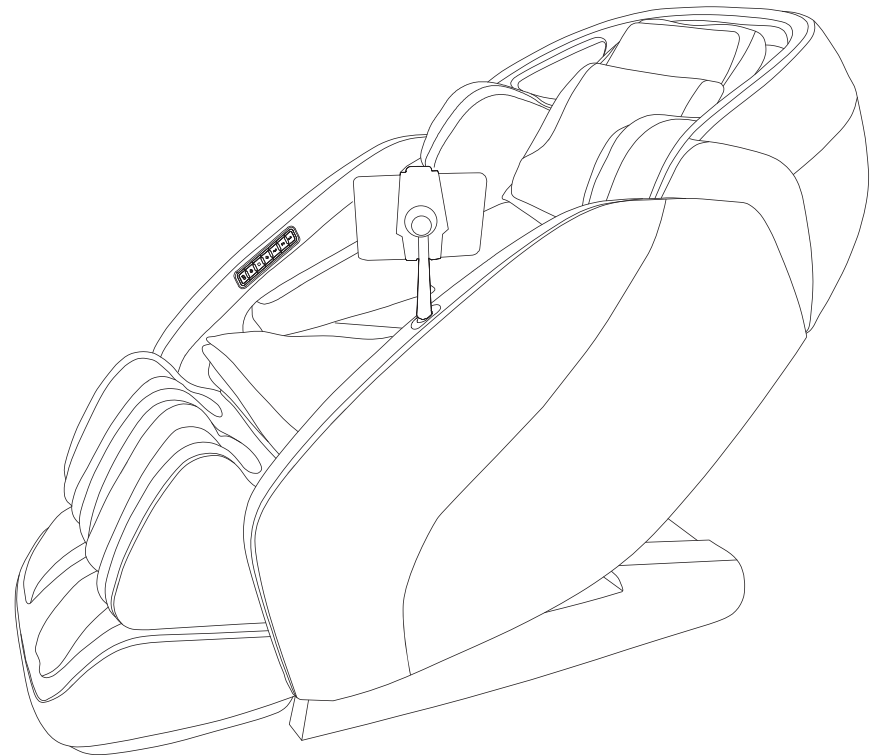
If anything is missing, please contact Kyoto Massage Chairs at 603-910-5333. Do not return to the place of purchase.



Alternatively, scan the QR code to go directly to the URL above.

Before assembling your chair, watch an assembly video at: [www.kyotamassagechairs.com/assembly-tutorials](http://www.kyotamassagechairs.com/assembly-tutorials)

**KYOTA** | The World's Most Advanced Massage Chairs®

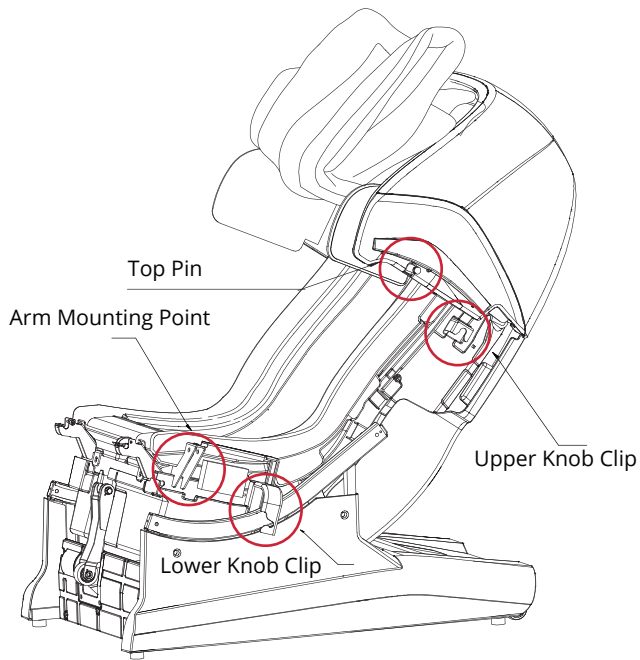


# Assembly Guide

# Hatsumeime M900 AI Massage Chair

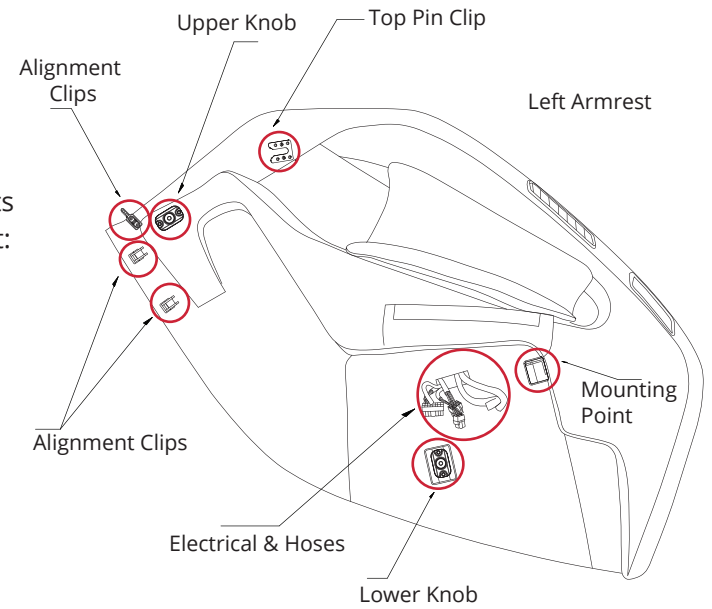
## 5 Step 5:

Setting up to install the armrest. On the left side, identify the Top Pin, the Upper Knob Clip, Lower Knob Clip, and the Arm Mounting Point on the chair body.



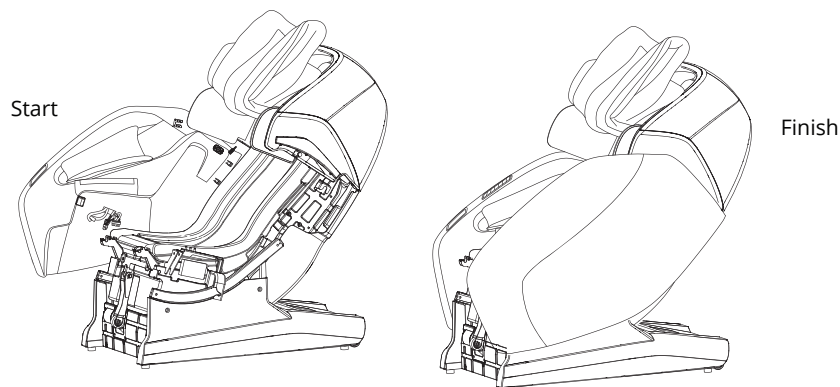
## 6 Step 6:

Identify the corresponding parts on the Left Armrest: Top Pin Clip, Upper Knob, Alignment Clips, Mounting Point, Lower Knob, Electrical & Hoses.



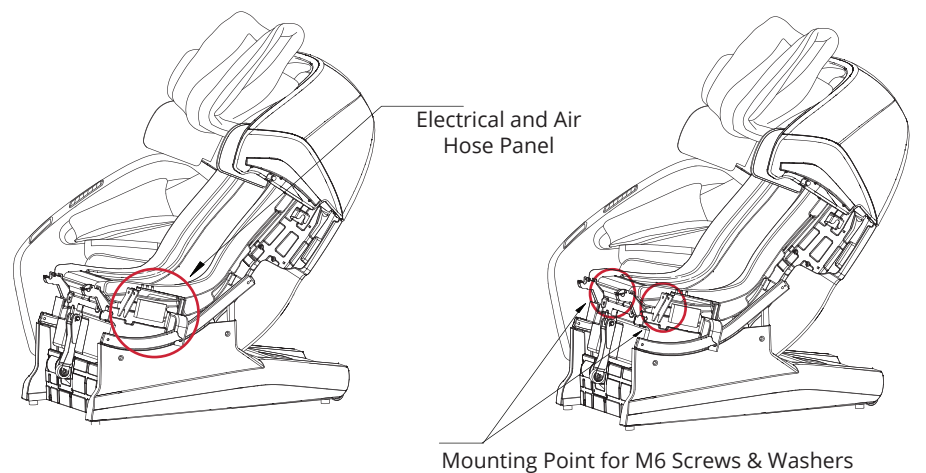
## 7 Step 7:

Position the armrests into place being careful that the hoses and electrical on the armrest are accessible by the seat when in place. Shown is the Right Armrest. 1) Bring the Right Armrest beside the right side of the chair. 2) Slide the Top Pin into the Top Pin Clip. 3) Next position the Upper Knob into the Upper Knob Clip. When correctly in place, the Alignment Clips will seat around the chair body. 4) Now position the Lower Knob into the Lower Knob Clip. It's helpful to apply light pressure on the side panel towards the middle of the chair, then slide the armrest slightly to the back to seat the lower knob into the lower knob clip. When the Armrest is mounted correctly the Armrest and Chair body metal Mounting Points will align. Repeat for the Left Armrest.



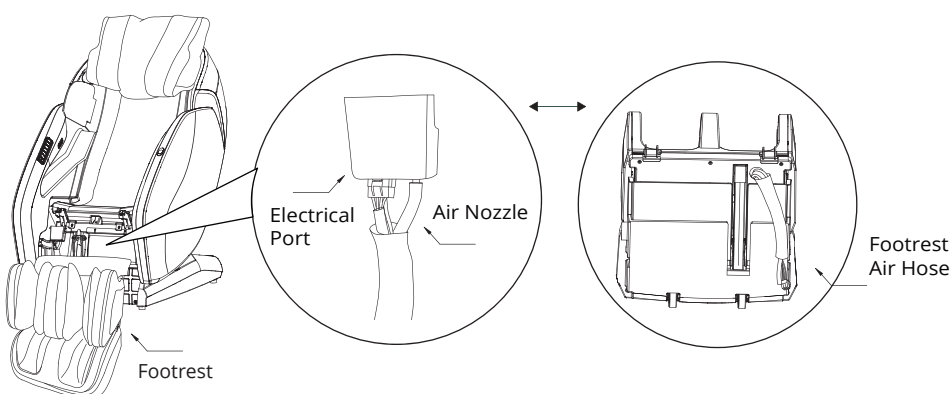
## 8 Step 8:

Connect the black air hose to the black air nozzle and the green air hose to the green air nozzle; nothing will be attached to the white air nozzle at this time. Then connect all electrical ports by matching up the correct sizes. Once this is completed, then use the M6x16mm screw with a washer to secure the armrest to the chair body at the Mounting Point.



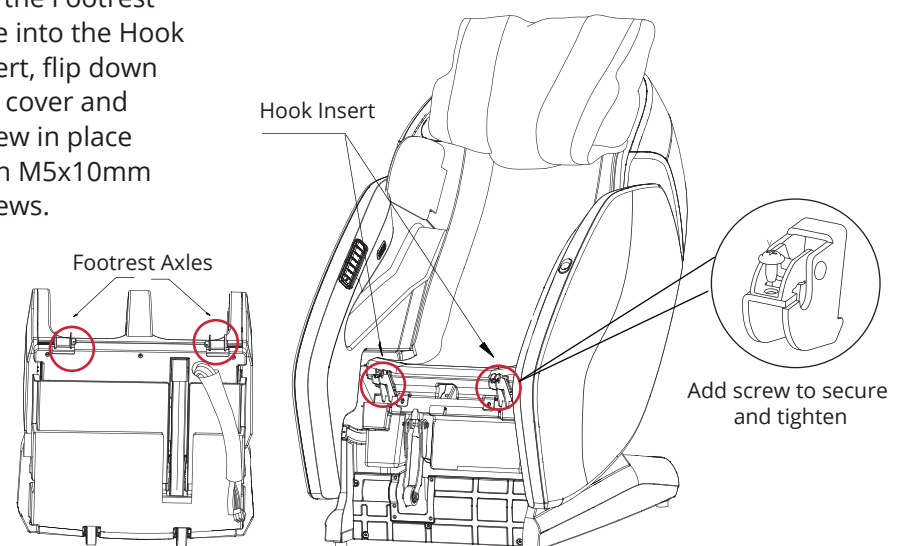
## 9 Step 9:

Remove the footrest from its packaging and position it in front of the main chair body. Connect the footrest electrical plug into the footrest electrical port. Ensure the thumb release is facing up and push in until it clips. Next, slide the air hose firmly onto the air nozzle.



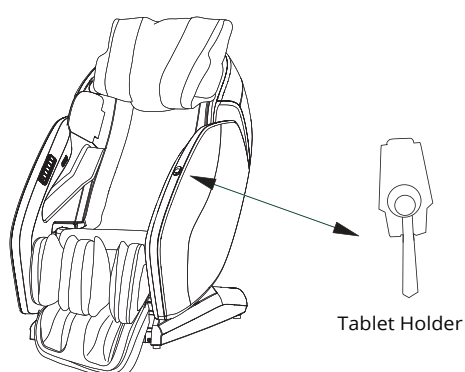
## 10 Step 10:

Lift the Footrest axle into the Hook insert, flip down the cover and screw in place with M5x10mm screws.



## 11 Step 11:

Locate the tablet holder from the accessory box. Insert the bottom end of the tablet holder into the Tablet mount and push down until it clicks into place. Next mount the tablet on the tablet holder by seating the bottom 1st, then gently snap the top into the mount by bringing the 2 pieces together. Connect the Tablet to the chair body the same as in step 4.



## 12 Step 12:

First, 1) connect the white air hoses on the chair base to the air nozzles on the bottom of the seat pad. Next, 2) connect the purple air hoses to the open white nozzles on each side of the seat base, next to the green hoses. 3) Connect the Lumbar electrical. Finally, zip on the seat cushion into place starting at the top. Remove the protective covering to expose the Velcro on the flap over the air/electrical connections and the flap on top of the footrest so it can fasten to the chair base while zippering the seat pad in place.

