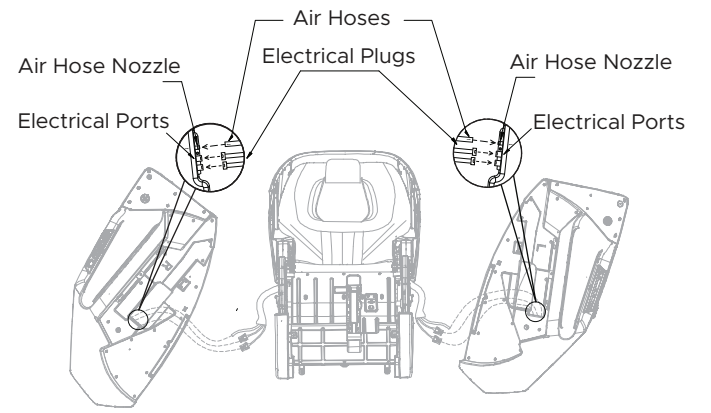


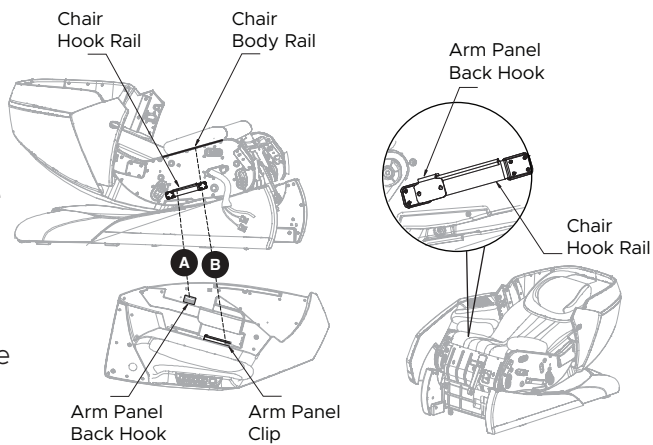
INFINITY

MASSAGE CHAIRS

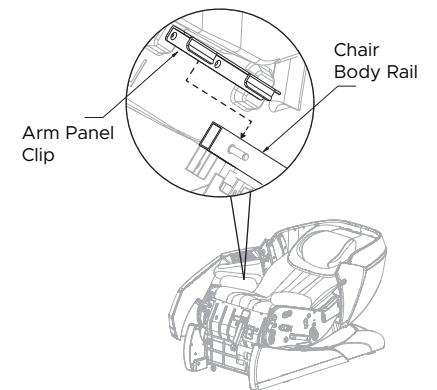
- 4 Step 4:** Locate the electrical plugs off the side of the chair body. Firmly clip electrical plugs into the electrical ports on the arm panels by matching corresponding colors. Locate the Air Hoses off each side of chair body and note each hose has a number. Locate the corresponding number on the Air Ports of each Arm. Firmly connect the hoses to the ports by matching the numbers of each.



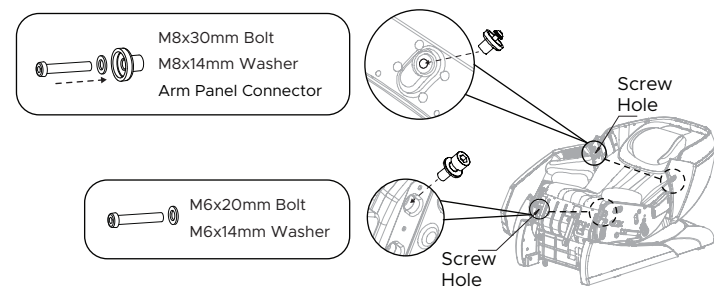
- 5 Step 5:** Carefully lift arm panel and guide the arm panel back hook into the chair hook rail (**see location A**). Make sure the air hoses and electrical wires remain connected and not pinched. Slide the arm panel back towards the chair body as far as it will go.



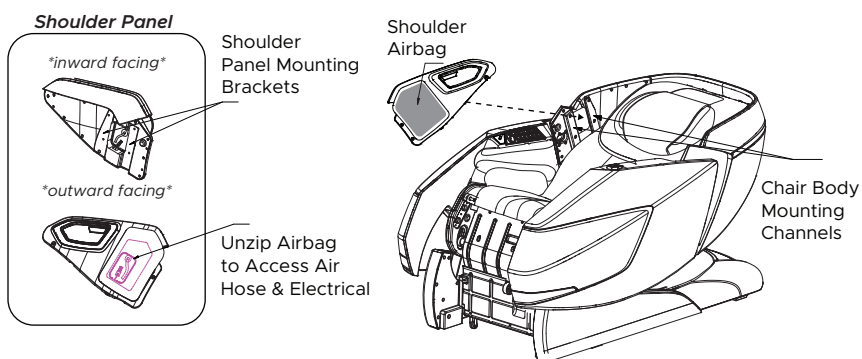
- 6 Step 6:** Next place the arm panel clip on to the chair body rail (**connection location B from step 5**). Ensure the arm panel back hook remains in the chair hook rail as you lift up the front of the arm panel slightly to wiggle the arm panel into position. Make sure both connections at point A and B are firmly in place before continuing.



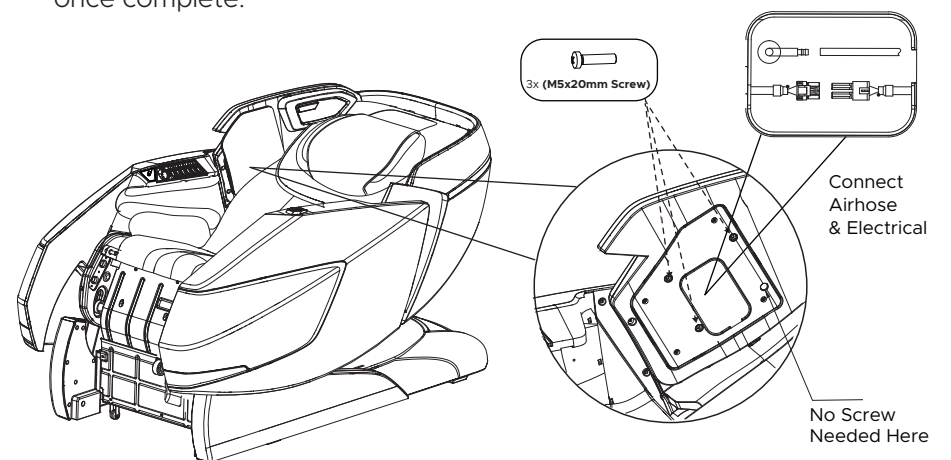
- 7 Step 7:** To secure the arm panel to the chair body, locate the screw hole where the top of the arm panel overlaps the bottom of the shoulder panel. Insert an M8x30mm bolt and M8x14mm washer into the arm panel connector, and then insert into the screw hole. Hand Tighten. Next, locate the holes on the inside of the arm panel by the foot well and insert an M6x20mm Bolt and M6x14mm Washer into the **top hole**. Tighten both bolts with provided hex key. **Repeat steps 5-7 on other side of chair.**



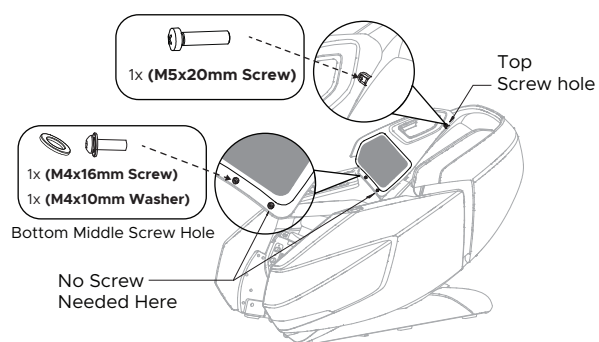
- 8 Step 8:** Before attaching, ensure the airbag on the shoulder panel is toward the front of the chair. Unzip the shoulder airbag and position the shoulder panel into place, pull the air hose and electrical from chair body through the shoulder panel. The shoulder panel mounting bracket and the chair body mounting channel will align. Slide into the body mounting channels until it seats flushly in place.



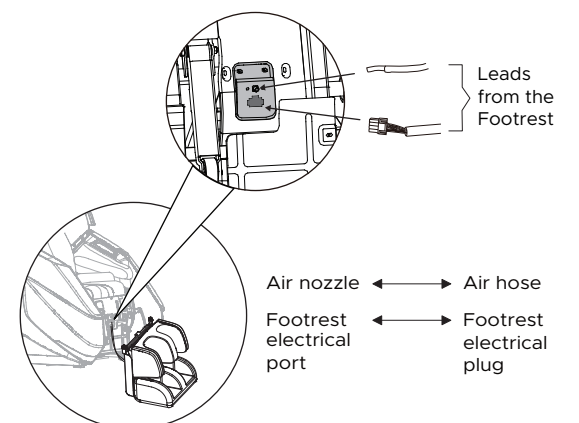
- 9 Step 9:** Look under the shoulder airbag to expose the electrical and airhose. Fasten airhose and then fasten electrical. Fasten three M5x20mm screws into the three screw holes shown below. Close the shoulder airbag zipper once complete.



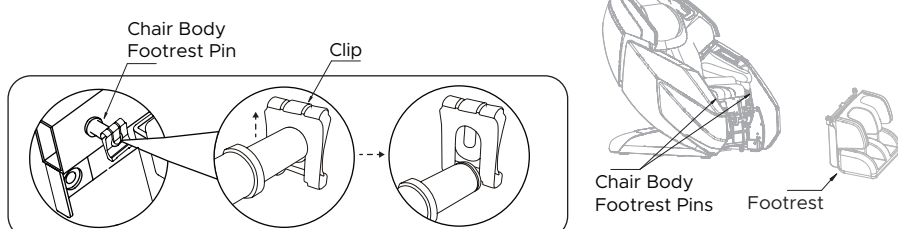
- 10 Step 10:** To secure the shoulder panel to the chair body, insert one M5x20mm screw into the top screw hole, and one M4x16mm screw & M4x10mm washer into the bottom middle screw hole only. Tighten with screw driver. **Repeat steps 8, 9, 10 for other arm.**



- 11 Step 11:** Remove the footrest from its packaging and position it in front of the main chair body. Connect the footrest electrical plug into the footrest electrical port. Ensure the thumb release is facing up and push in until it clips. Next, slide the air hose firmly onto the air nozzle.



- 12 Step 12:** Before attaching the footrest to the chair body, remove the clips on the chair body footrest pins by sliding up. (If Clips are missing, there are spare clips in the Accessory Box).



- 13 Step 13:** Lift the footrest and slide one side of the footrest mounting bracket completely onto the chair body pin. Fasten the clip over the pin to secure. Carefully align the other side of the mounting bracket with the remaining pin and slide it on too. Make sure to center the footrest, then fasten the remaining clip over the pin to secure both sides of the footrest.

