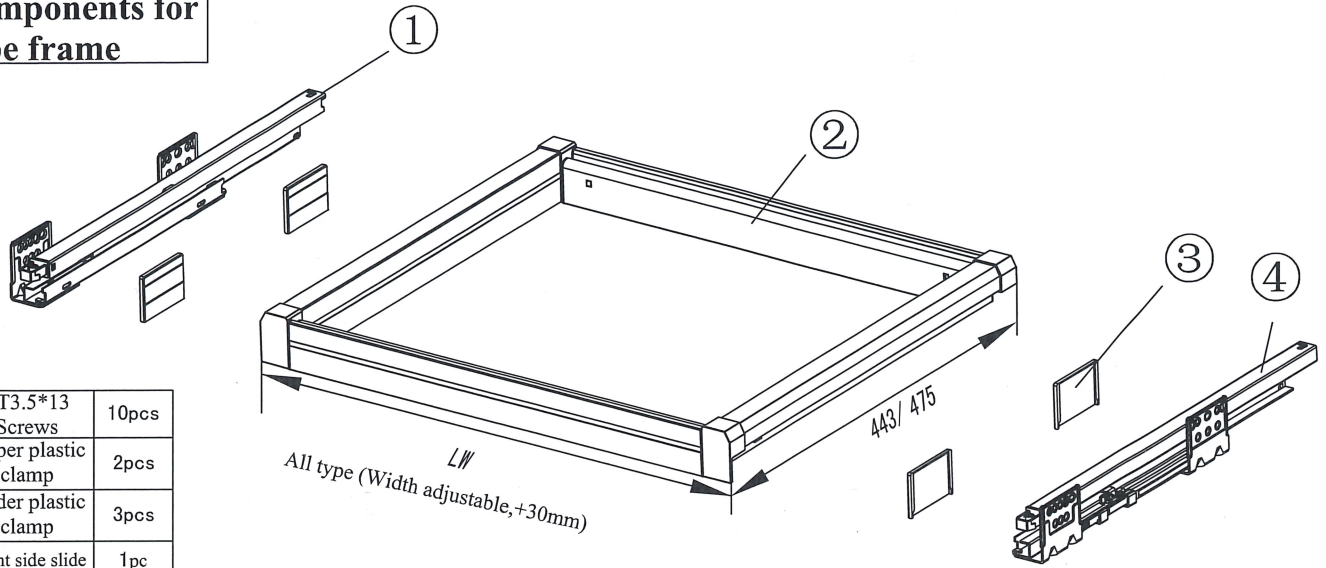


Installation Instruction of European Style Wardrobe Storage System



Basic components for wardrobe frame



7	ST3.5*13 Screws	10pcs
6	Upper plastic clamp	2pcs
5	Under plastic clamp	3pcs
4	Right side slide	1pc
3	Plastic cover	4pcs
2	Frame	1set
1	Left side slide	1pc
No.	Name	Qty.

Fitting's installation for panel(optional)		

Optional inner components

<p>Multifunctional storage box</p> <table border="1"> <tr> <td>Size</td> <td>500</td> <td>600</td> <td>700</td> <td>800</td> <td>900</td> <td>1000</td> </tr> </table>	Size	500	600	700	800	900	1000	<p>Semi-open type storage box</p> <table border="1"> <tr> <td>Size</td> <td>600</td> <td>700</td> <td>800</td> <td>900</td> </tr> </table>	Size	600	700	800	900	<p>PVC rattan storage basket</p> <table border="1"> <tr> <td>Size</td> <td>500</td> <td>600</td> <td>700</td> <td>800</td> <td>900</td> <td>1000</td> </tr> </table>	Size	500	600	700	800	900	1000														
Size	500	600	700	800	900	1000																													
Size	600	700	800	900																															
Size	500	600	700	800	900	1000																													
<p>Flat and shallow board type storage basket</p> <table border="1"> <tr> <td>Size</td> <td>500X80</td> <td>600X80</td> <td>700X80</td> <td>800X80</td> <td>900X80</td> <td>1000X80</td> </tr> <tr> <td></td> <td>500X130</td> <td>600X130</td> <td>700X130</td> <td>800X130</td> <td>900X130</td> <td>1000X130</td> </tr> </table>	Size	500X80	600X80	700X80	800X80	900X80	1000X80		500X130	600X130	700X130	800X130	900X130	1000X130	<p>Metal wire storage basket</p> <table border="1"> <tr> <td>Size</td> <td>500X120</td> <td>600X120</td> <td>700X120</td> <td>800X120</td> <td>900X120</td> </tr> <tr> <td></td> <td>500X200</td> <td>600X200</td> <td>700X200</td> <td>800X200</td> <td>900X200</td> </tr> </table>	Size	500X120	600X120	700X120	800X120	900X120		500X200	600X200	700X200	800X200	900X200	<p>Simple trousers rack</p> <table border="1"> <tr> <td>Size</td> <td>500</td> <td>600</td> <td>700</td> <td>800</td> <td>900</td> <td>1000</td> </tr> </table>	Size	500	600	700	800	900	1000
Size	500X80	600X80	700X80	800X80	900X80	1000X80																													
	500X130	600X130	700X130	800X130	900X130	1000X130																													
Size	500X120	600X120	700X120	800X120	900X120																														
	500X200	600X200	700X200	800X200	900X200																														
Size	500	600	700	800	900	1000																													
<p>Multifunctional plastic box and metal wire trousers rack</p> <table border="1"> <tr> <td>Size</td> <td>600</td> <td>800</td> <td>900</td> </tr> </table>	Size	600	800	900	<p>Multifunctional wooden box and aluminium bar trousers rack</p> <table border="1"> <tr> <td>Size</td> <td>700</td> <td>800</td> <td>900</td> </tr> </table>	Size	700	800	900	<p>Multifunctional metal basket and aluminium bar trousers rack</p> <table border="1"> <tr> <td>Size</td> <td>700X200</td> <td>800X200</td> <td>900X200</td> </tr> <tr> <td></td> <td>700X300</td> <td>800X300</td> <td>900X300</td> </tr> </table>	Size	700X200	800X200	900X200		700X300	800X300	900X300																	
Size	600	800	900																																
Size	700	800	900																																
Size	700X200	800X200	900X200																																
	700X300	800X300	900X300																																
<p>Board type shoes rack</p> <table border="1"> <tr> <td>Size</td> <td>500</td> <td>600</td> <td>700</td> <td>800</td> <td>900</td> <td>1000</td> </tr> </table>	Size	500	600	700	800	900	1000	<p>Metal wire shoes rack</p> <table border="1"> <tr> <td>Size</td> <td>600</td> <td>700</td> <td>800</td> <td>900</td> </tr> </table>	Size	600	700	800	900	<p>Note: The drawing is only for reference. The final specification and component quantity depends on the delivered goods.</p>																					
Size	500	600	700	800	900	1000																													
Size	600	700	800	900																															

Installation Instruction of European Style Wardrobe Storage System



Component installation

1

Installing left and right slide to the cabinet.
(Min.Depth \geq FrameDepth+5mm)

2

Inserting plastic covers to the slides

3

Adjusting width of the frame, to make sure the slides work smoothly (adjustable underneath)

All type shelf (Width adjustable, +30mm)

4

Clamp fixing position

Pushing the frame into the slides (When hear "clip" means it's correctly fixed), and then check if it works smoothly

5

Putting inner components inside (Multifunctional storage as an sample in this instruction)

Panel installation (optional)

Cabinet size	L1	L2
500	344	200
600	444	200
650	494	250
700	544	300
800	644	400
900	744	500
1000	844	600

Diagram

<800mm Cabinet: use each 2pcs of upper and under plastic clamps to connect front panel and Aluminum frame;
 ≥800mm Cabinet: use each 3pcs of upper and under plastic clamps to connect. Size of 'a' depends on clients

≥800mm cabinet needs add 2 holes

Component disassembling

Pull out the slide and then lift up the frame

- Notes:
1. Runner doesn't steadily or pulse? ---Please ensure against wood chips or other scrap fall into runner interior during installation.
 2. Runner doesn't work smoothly? ---Please check bottom and back panel measurement is up to the mustard or not; bottom pannel and cabinet is regularity or not; and runners are vertical and horizontal or not.
 3. Runner can not clip on? ---Please ensue the runner is on the correct hole position.
 4. Frame can not close well? ---Please ensue the runner is on the correct hole position, and ensure the clamp well fix on.