



Assembly Guide

FTT699_2021_B

Check out our other products online at
www.copernicused.com

For assistance, please contact us:

1-800-267-8494

Email info@copernicused.com

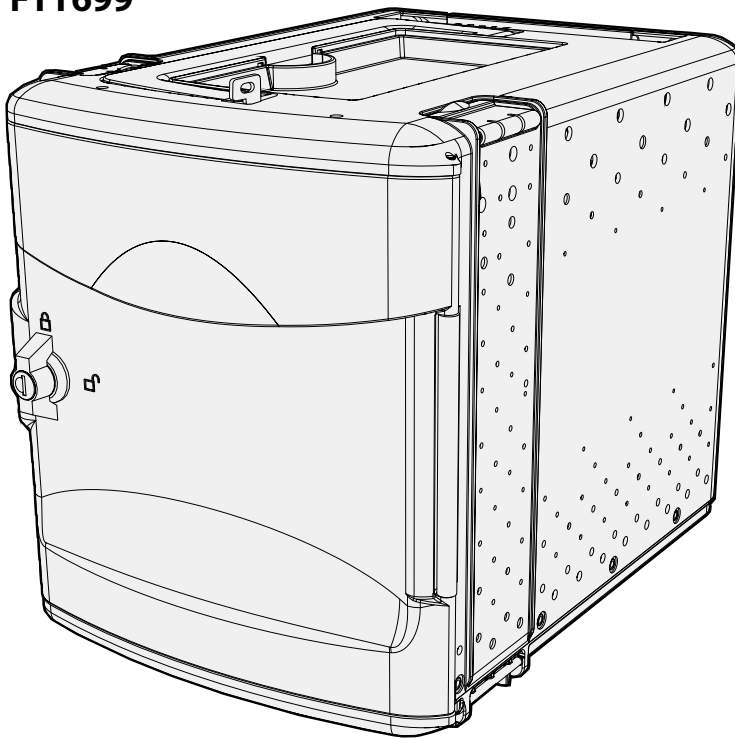
Have your packing slip ready for reference

WARNING

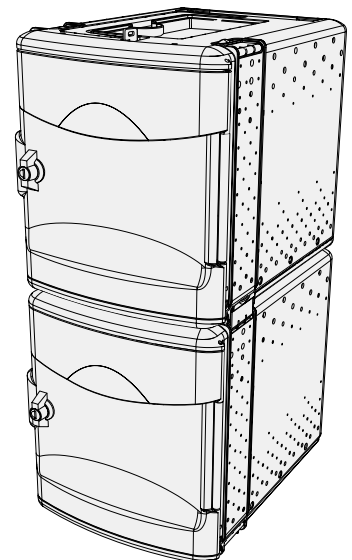


- This product is meant to be assembled by an adult.
- In its unassembled state, small parts present a hazard.
- To be used under direct supervision of an adult.

FTT699



FTT1112



If you ordered model FTT1112, set up each of your tubs with the FTT699 instructions, then assemble them according to the stacking instructions on page 22.



Tech Tub²® - 6 Tablets



Assembly Guide FTT699_2021_B

Check out our other products online at
www.copernicused.com

For assistance, please contact us:

1-800-267-8494

Email info@copernicused.com

Have your packing slip ready for reference

Dear Educator,

Thank you for purchasing the Tech Tub². We hope it meets all your expectations and you and your students enjoy using it in your school.

If you have any questions, concerns or ideas on how we can improve please let us know by contacting our Customer Solutions Ninjas at 1-800-267-8494 or info@copernicused.com.

Happy teaching,

Kaylyn Belcourt
President

We do not inherit the earth from our ancestors, we borrow it from our children.

Change is the end result of all true learning.

LEO BUSCAGLIA

NORTH AMERICAN
PROVERB

What you leave behind is not what is engraved in stone monuments, but what is woven into the lives of others.

PERICLES

Education is the most powerful weapon which you can use to change the world.

NELSON MANDELA



Register your Product

Registering your warranty ensures we have all the information we need to make any future warranty claims quick and easy. Please visit www.copernicused.com/warranty and complete the form within 10 business days from product assembly. By registering your product, you will be entered into a draw to win Copernicus product.

Make a Warranty Claim

We offer a Lifetime Warranty on almost everything we make. Please call 1-800-267-8494 or email info@copernicused.com to start your warranty claim. Proof of purchase will be required upon warranty claim (i.e. copy of invoice).



Warning! Hazard Risks!

Please read the warnings below for important safety information regarding your product. Failure to read these warnings or to follow the instructions below could result in personal injury or damage to your product that could void your warranty.



Small Parts

In its unassembled state, this product contains parts that can be hazardous to small children. This product should be assembled by an adult.



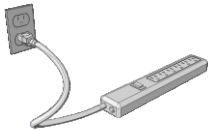
Adult Supervision

This product is to be used under the supervision of an adult.



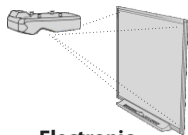
Indoor Use Only

This product is intended for indoor use only. To reduce the risk of fire or electric shock, do not expose this product to rain or moisture. The internal components are not sealed from the environment.



Power Strip Specifications

Read your power strip electrical specifications. Only plug in devices that are approved for use with this power strip. Connect the supplied power strip directly to a wall outlet. **Do not connect to another power strip or use an extension cord.** Unplug when not in use. **Do not leave this product plugged in for more than 72 consecutive hours.** Turn off power strip before unplugging.



Electronic Equipment

Read the electrical specifications of any electronic equipment you are using with your Copernicus products. Failure to read these specifications and follow their instructions could result in damage to your equipment or personal injury.



Cable Trip Hazard

Ensure that any cables extending across the floor to your product are properly bundled and marked to avoid tripping or falling which may lead to personal injury.



Electrical Shock

Do not install or use the electrical components of this unit during a lightning storm.



Climb Hazard

Do not climb on, hang from or suspend objects from any components of your product unless otherwise specified.

Tips for Assembly

Watch for These Helpful Symbols

This symbol denotes a 2 Person Task. For safety, please ensure that there are the suggested number of people working on steps displaying this symbol.



Watch for this symbol throughout the Assembly Guide. Wherever you see it, pay close attention. The symbol denotes a step needing extra attention to ensure it is done correctly.



The star symbol highlights an advisory note.



Before You Begin

- Lay out and identify all of the included parts.
- The hardware has been packed according to step.
- Read the assembly guide over once to familiarize yourself with them.



! Please note that in its unassembled state, this product contains parts that can be hazardous to small children. This product should be assembled by an adult.

As You Assemble the Unit

- Follow the steps in sequence.
- Before beginning each step, find the part(s) that you need for that step.
- Pay attention to the labels on the parts; they are there to help direct you at certain stages.
- The title of each step states what you will be doing. Review the text and the pictures as you build the unit.

Customer Service - FAQ's



For missing parts and other issues regarding this product:

Please call Copernicus Customer Service, where we will be happy to help.
1-800-267-8494. Monday - Friday 8:30am - 4:30 pm EST.

OR

Email our Tech Support Service at info@copernicused.com

Need Tech Support? Have a Question?



Email our Tech Support Service

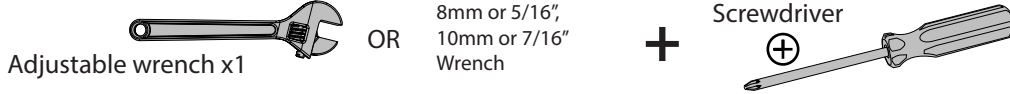
Check out some of our other great products!



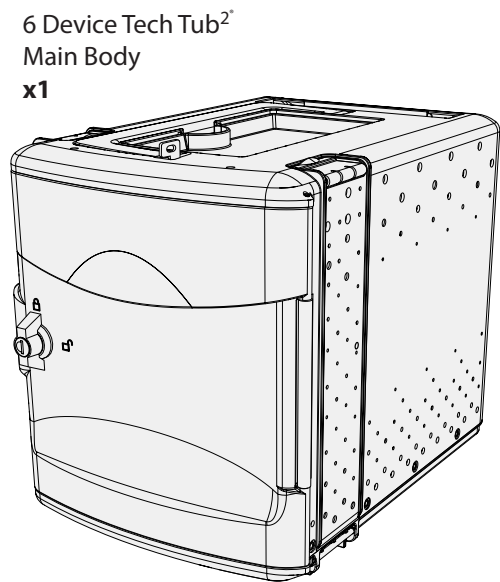
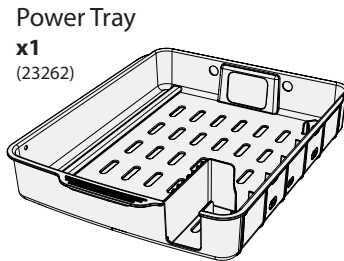
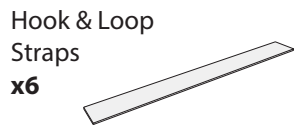
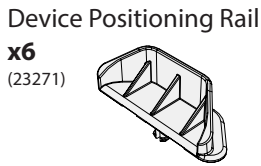
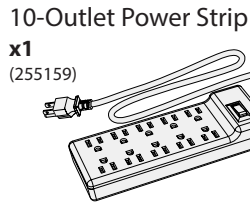
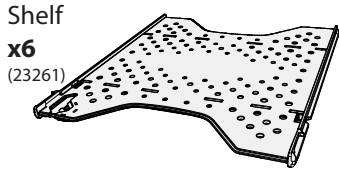
www.copernicused.com

Before beginning, you should have:

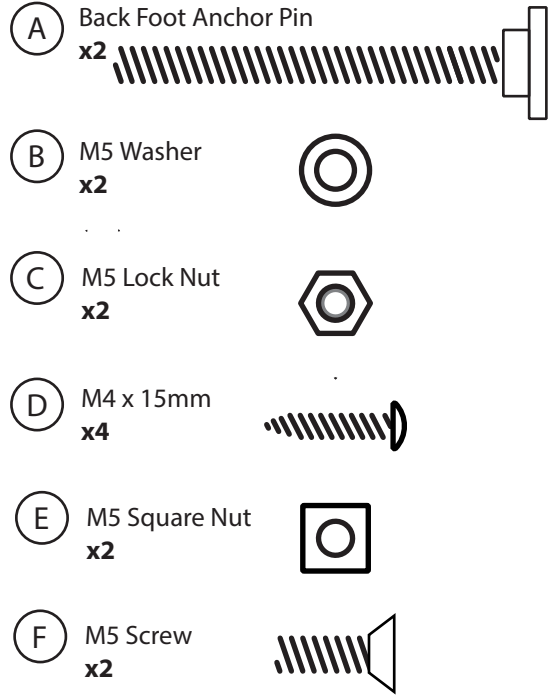
Additional tools required:



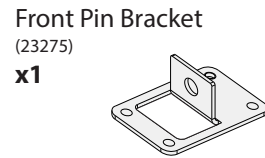
FTT699



Hardware
Actual Size



Not to Scale



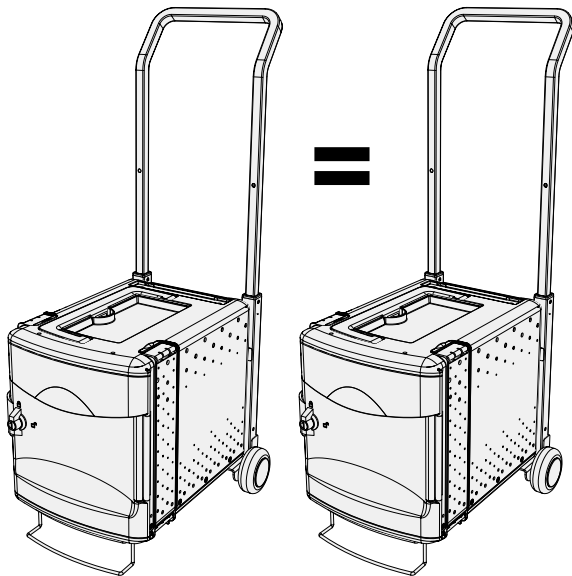
STOP!

If you purchased the Tech Tub² Trolley you will need to mount your Tech Tub² onto the Trolley Frame first, before proceeding with this assembly guide. Please look inside the Trolley Frame box for the assembly guide that explains how to do this.

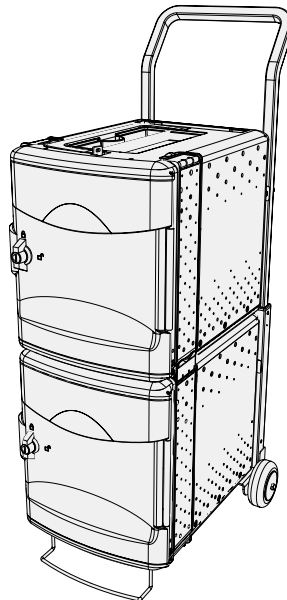
If you have not purchased the Tech Tub² Trolley, please proceed to the next page to continue setting up your Tech Tub².

FTT 705

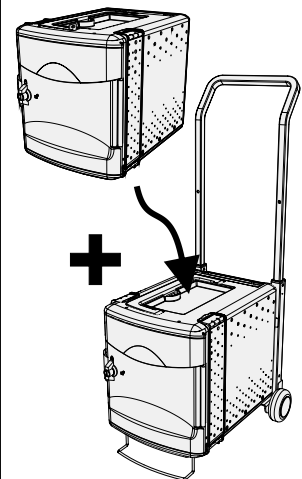
FTT 706



FTT 2012



FTT 699



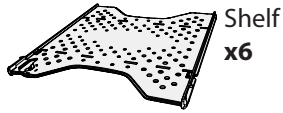
FTT 705

If you purchased trolley model FTT705, please follow the instructions for model FTT706 in the trolley assembly guide.

If you purchased the FTT2012 Trolley, follow the instructions for model FTT706 in the trolley assembly guide. Setup your second tub as a FTT699 and assemble it onto the first tub according to the stacking instructions (p 22).

1

You will need: (Not to Scale)



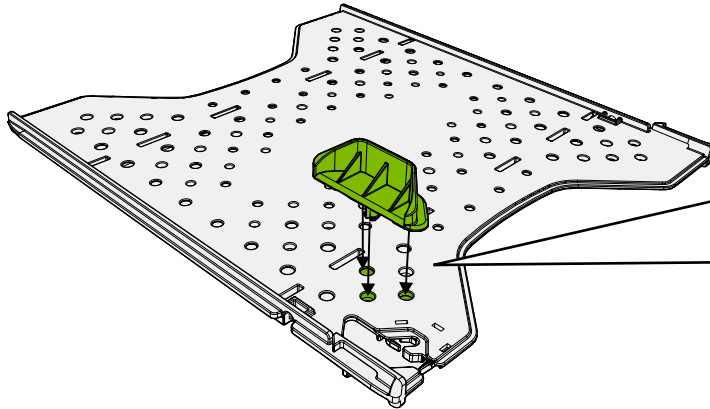
Install Device Positioning Rail into all shelves



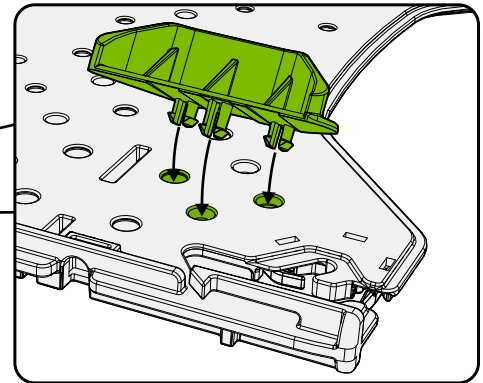
This part helps keep smaller devices away from the cable management area.

If your devices are wider than 8.66in (220mm), please skip this step.

Device positioning rail can be installed or uninstalled at any time.



Press snaps into these holes in shelf



2

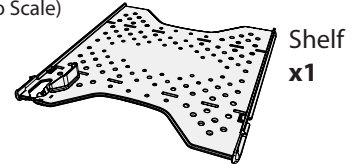
Actual Size:



M5 Square Nut
x2

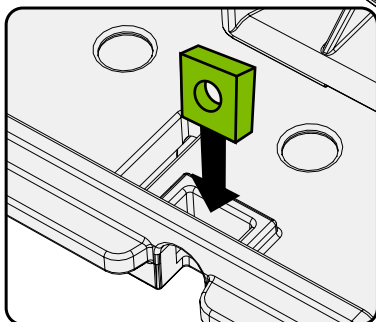
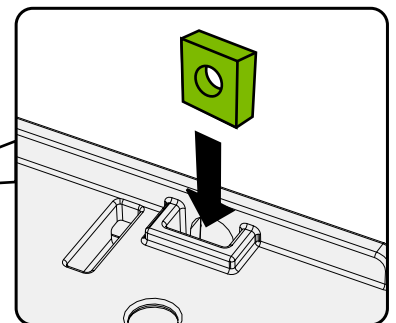
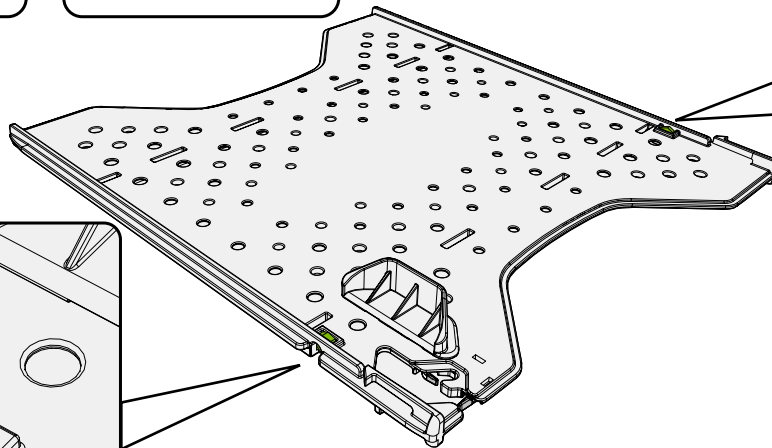
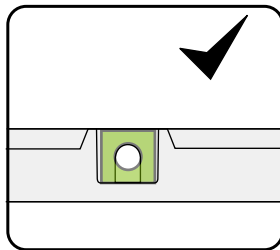
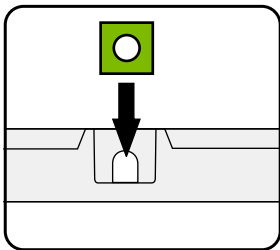


You will need: (Not to Scale)



Install nuts into one shelf

Ensure nut is inserted fully into slot in shelf



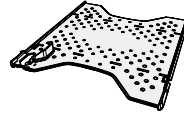
3

Actual Size:

F M5 Screw
x2



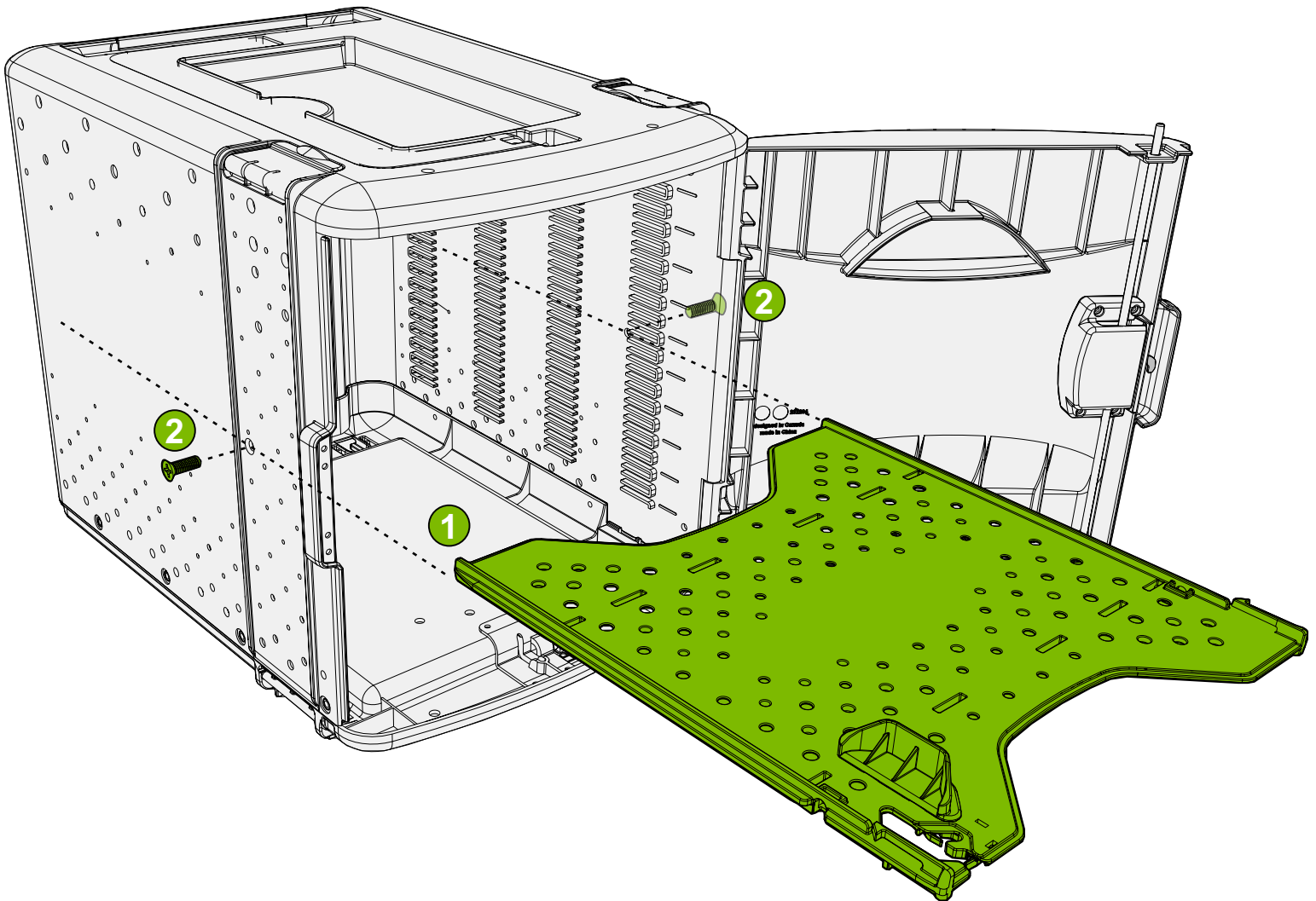
You will need: (Not to Scale)



Shelf
(with M5 square nuts installed from previous step)
x1

Install shelf with nuts into tub

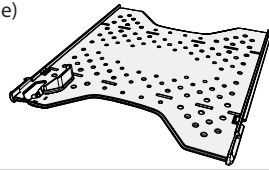
- 1 Install shelf in middle position (aligned with holes for screws)



- 2 Fasten shelf to tub using screws (both sides)

4

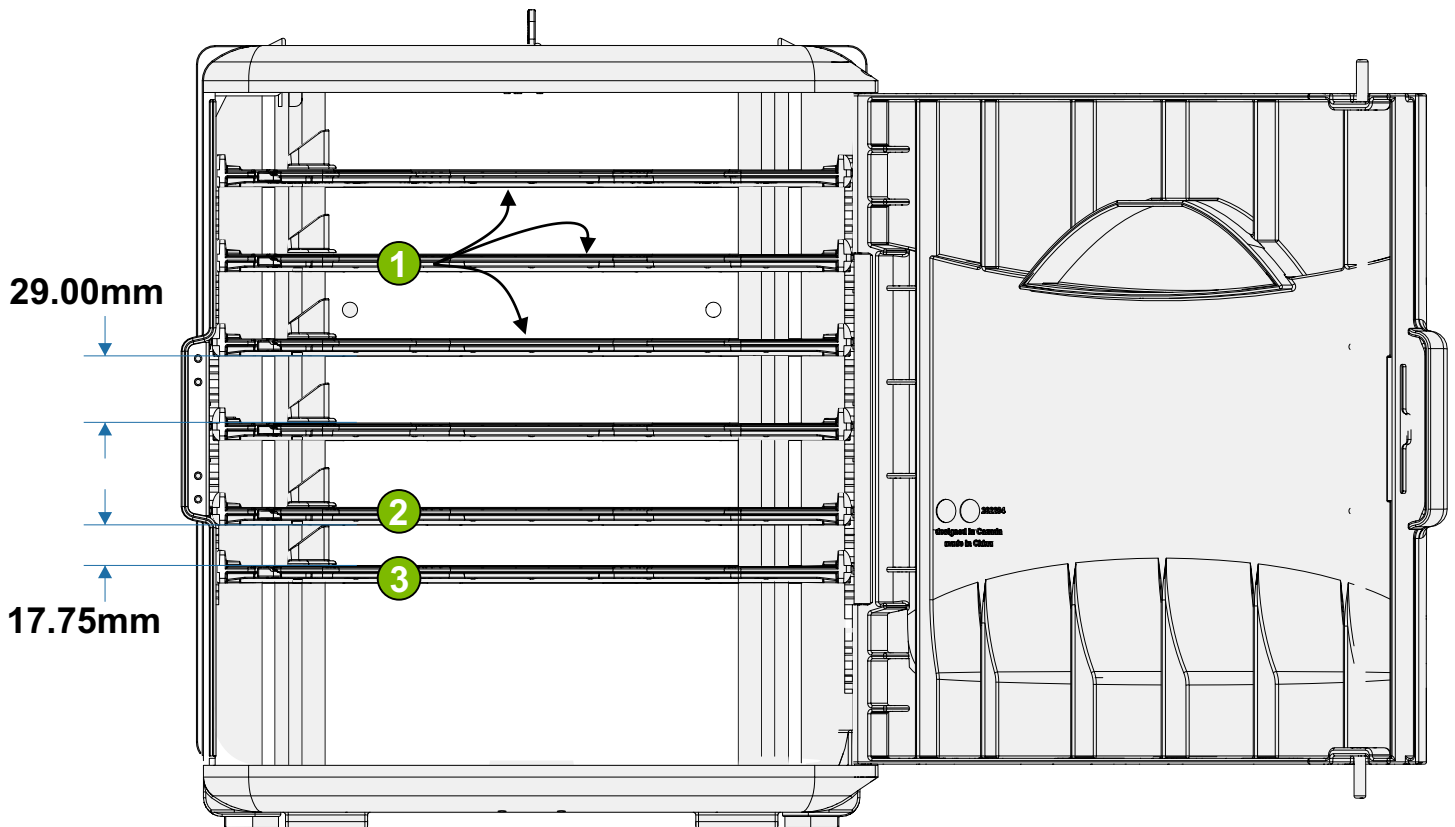
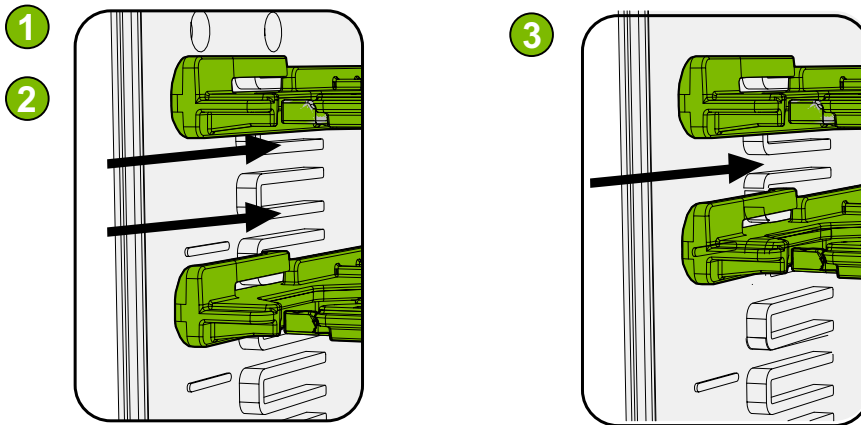
You will need: (Not to Scale)



Shelf
x5

Install remaining shelves

- 1 Install three shelves above the middle shelf, leaving two empty slots between each shelf
- 2 Install one shelf below the middle shelf, leaving two empty slots between each shelf
- 3 Install one shelf below the last shelf, leaving one empty slot between each shelf

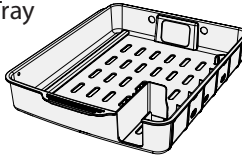


If 17.75mm is not enough space to fit your device you can remove the second last shelf (shown above with the 2 on it) and stack two devices on the bottom shelf.

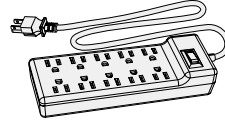
5

You will need: (Not to Scale)

Power Tray
x1
(23262)

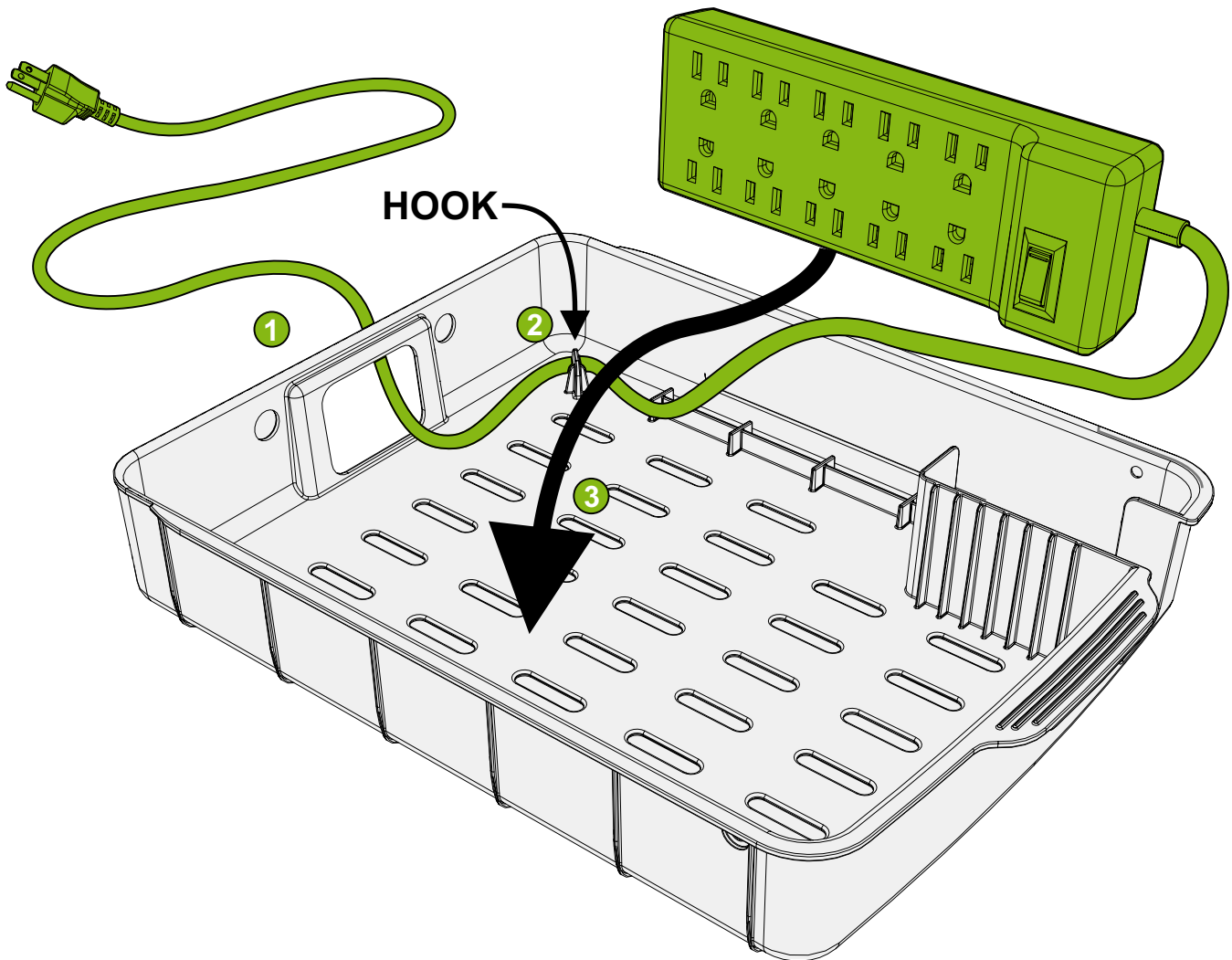


10-Outlet Power Strip
x1



Place Power Strip in Power Tray

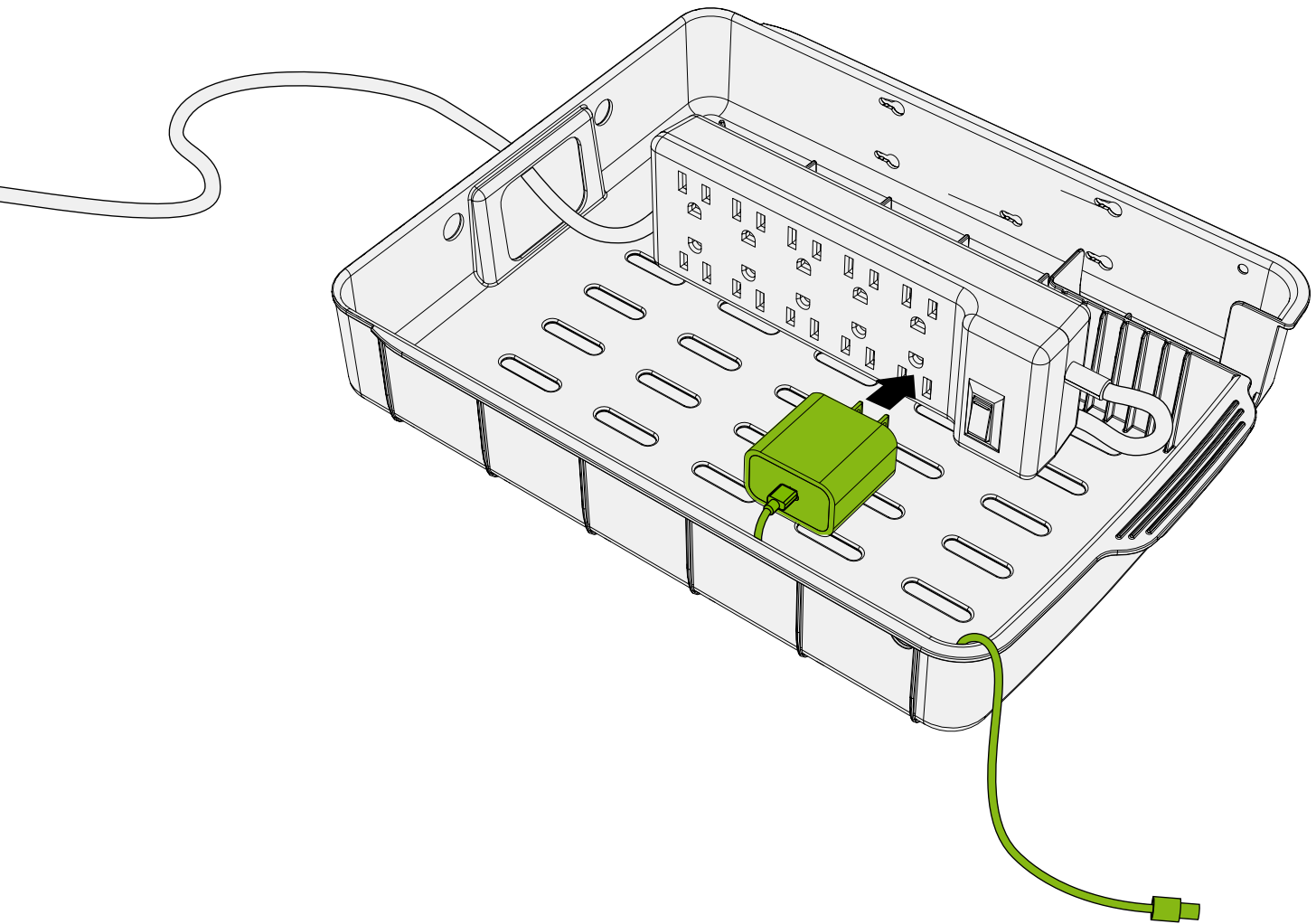
- 1 Feed power cord out through hole in back of Power Tray
- 1 Hook power cord around hook in Power Tray
- 1 Place Power Strip into Power Tray



Plug in first power adapter

- 1 Plug first power adapter into power strip
- 2 Run cable to front of tray, leaving excess cable hanging out

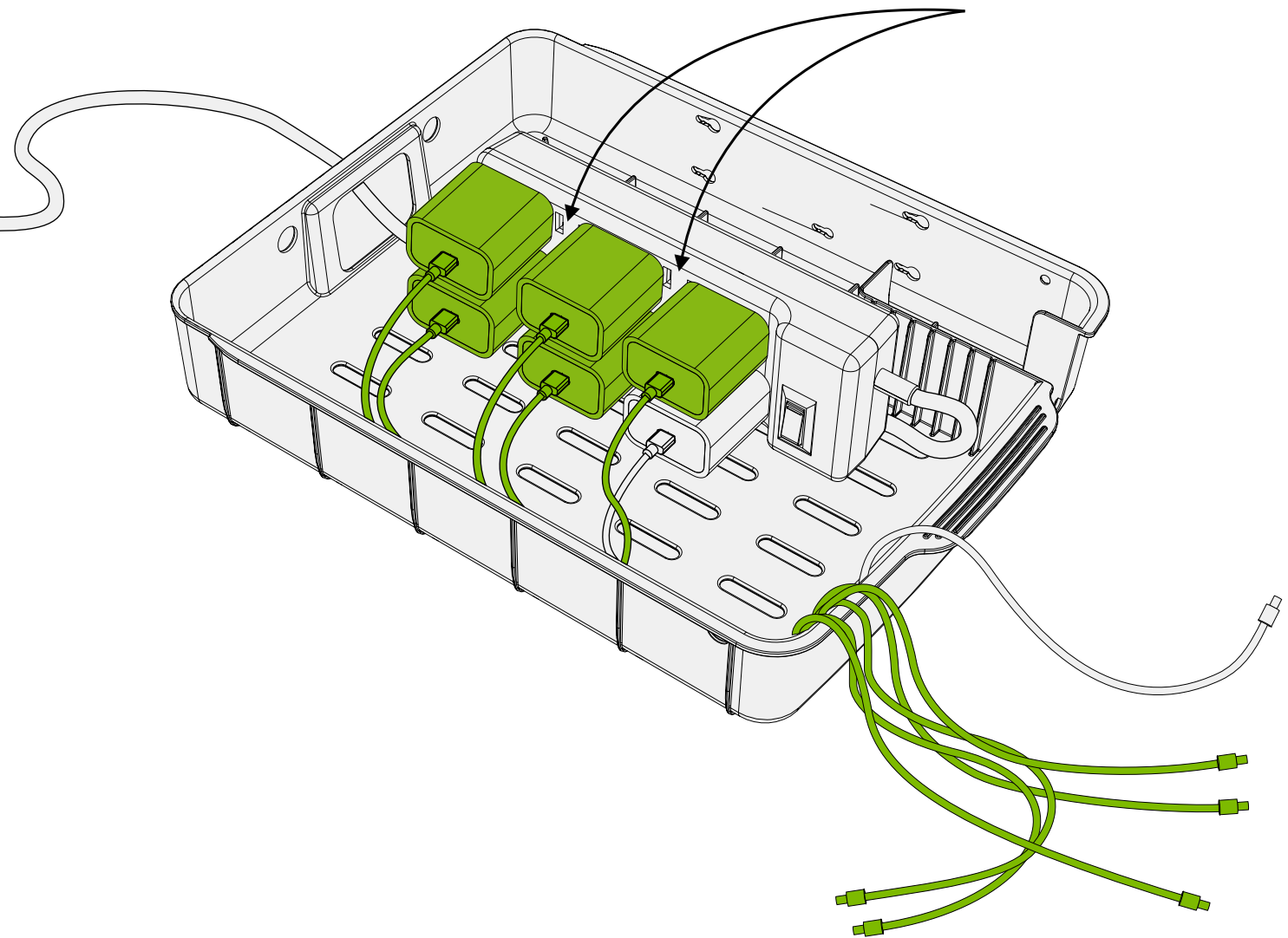
Wall Plug Power Adapter (including USB Power Adapters)



Plug in remaining power adapters

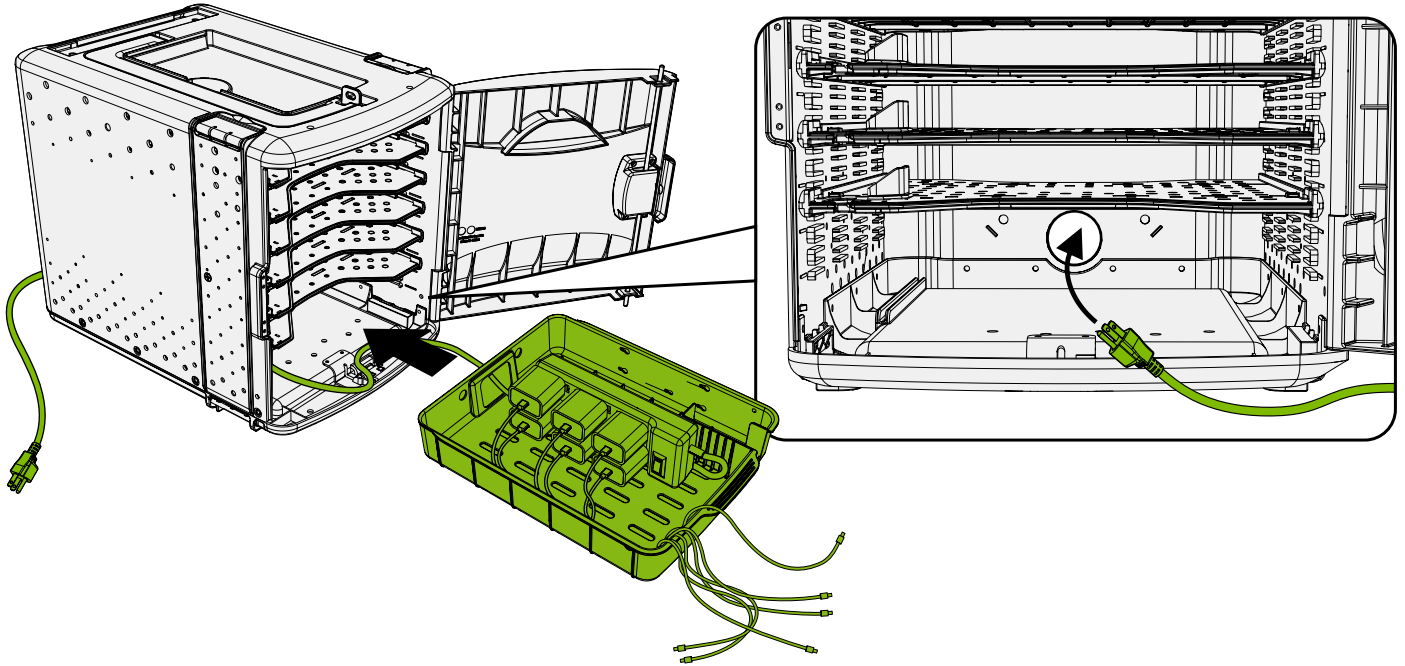
- 1 Plug remaining power adapters into power strip
- 2 Run cables to front of tray, leaving excess cable hanging out

★ Leave gap between outlets
(4 outlets not used)

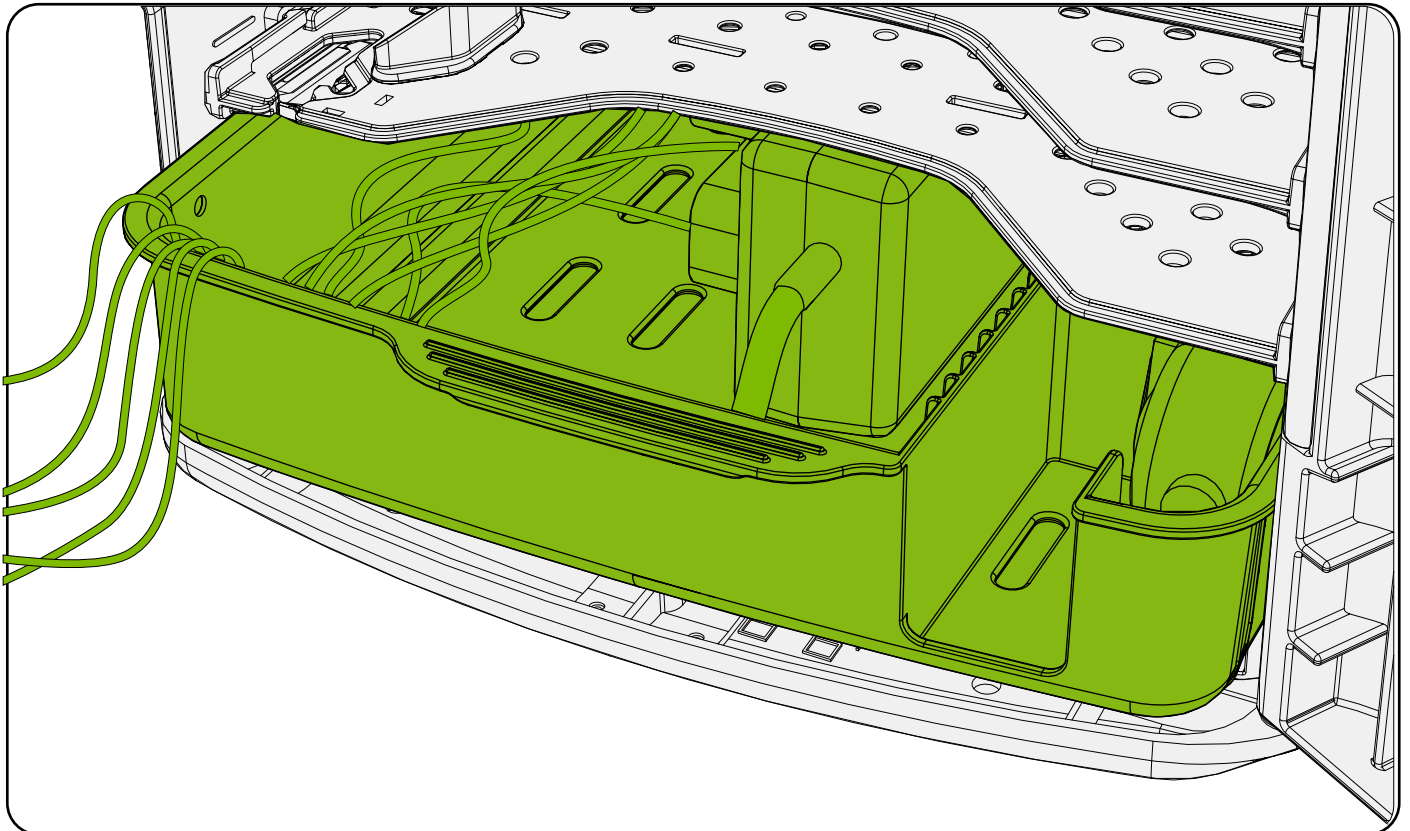


Position Power Tray for Cable Management

- 1 Feed Power Strip power cable through hole in back of tub

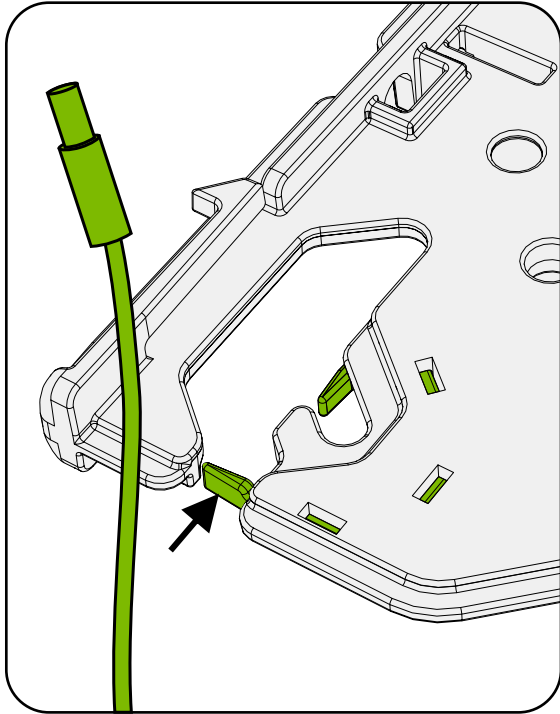


- 2 Partially slide Tray back into tub (leave a gap as shown below)

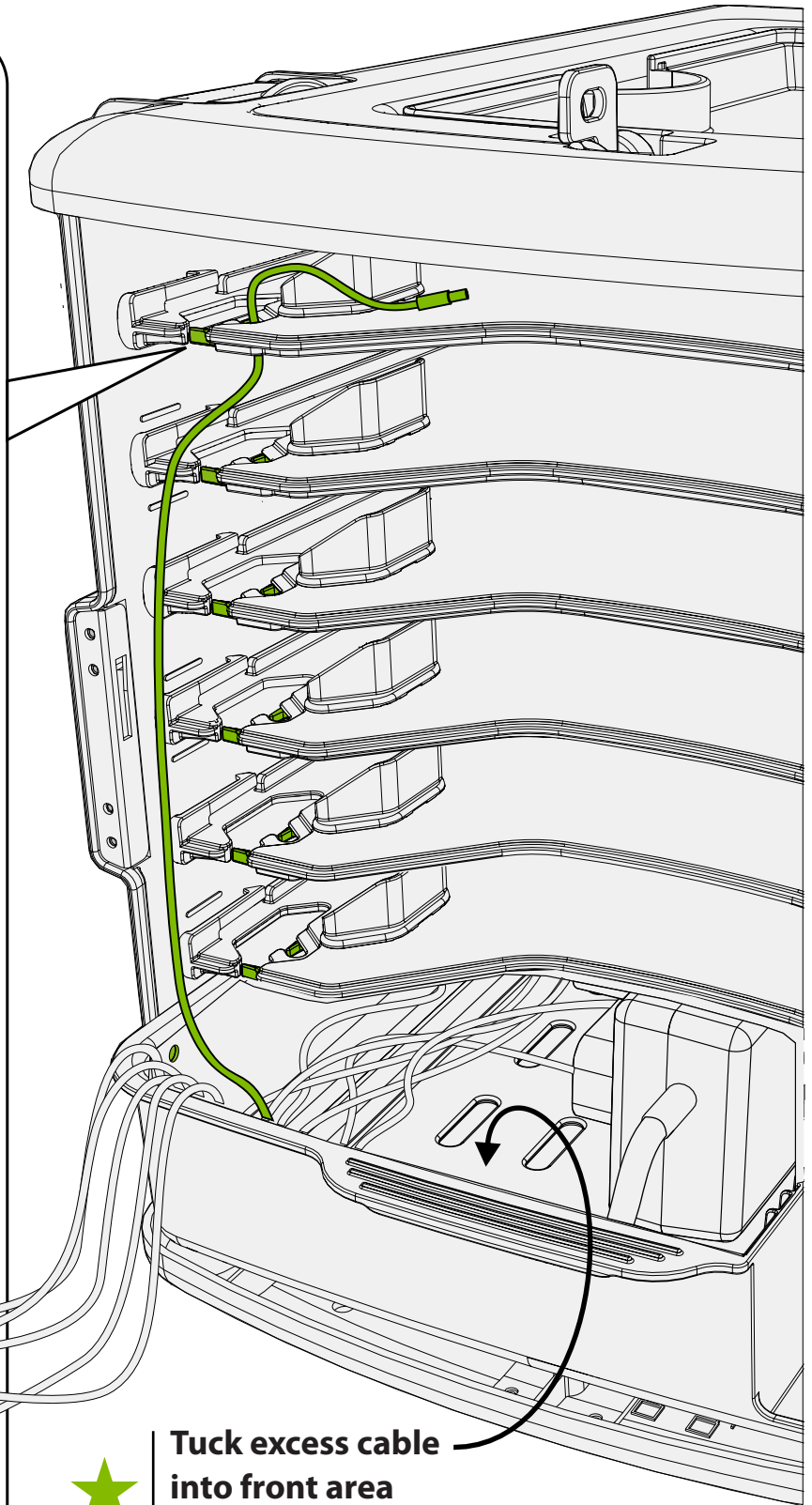
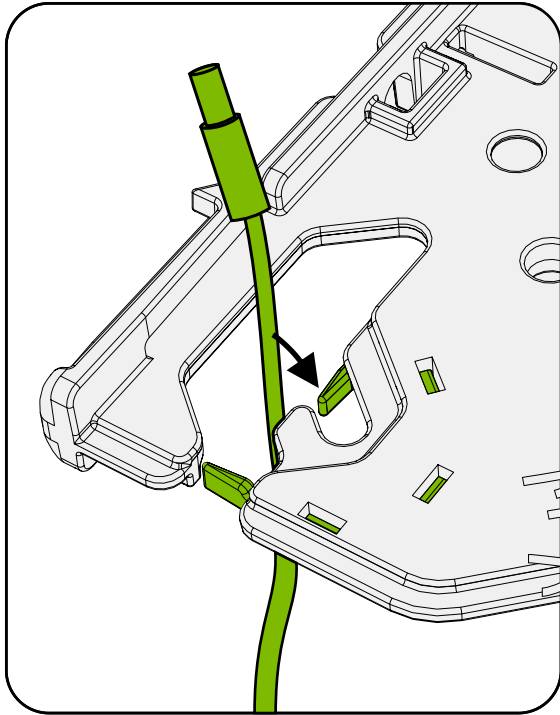


Feed first cable into cable management clip on top shelf

1 Push cable through first green clip



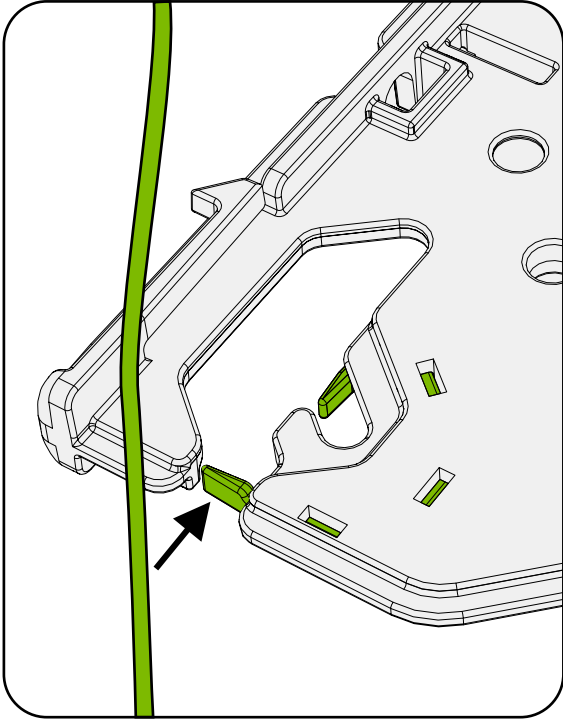
2 Push cable through second green clip



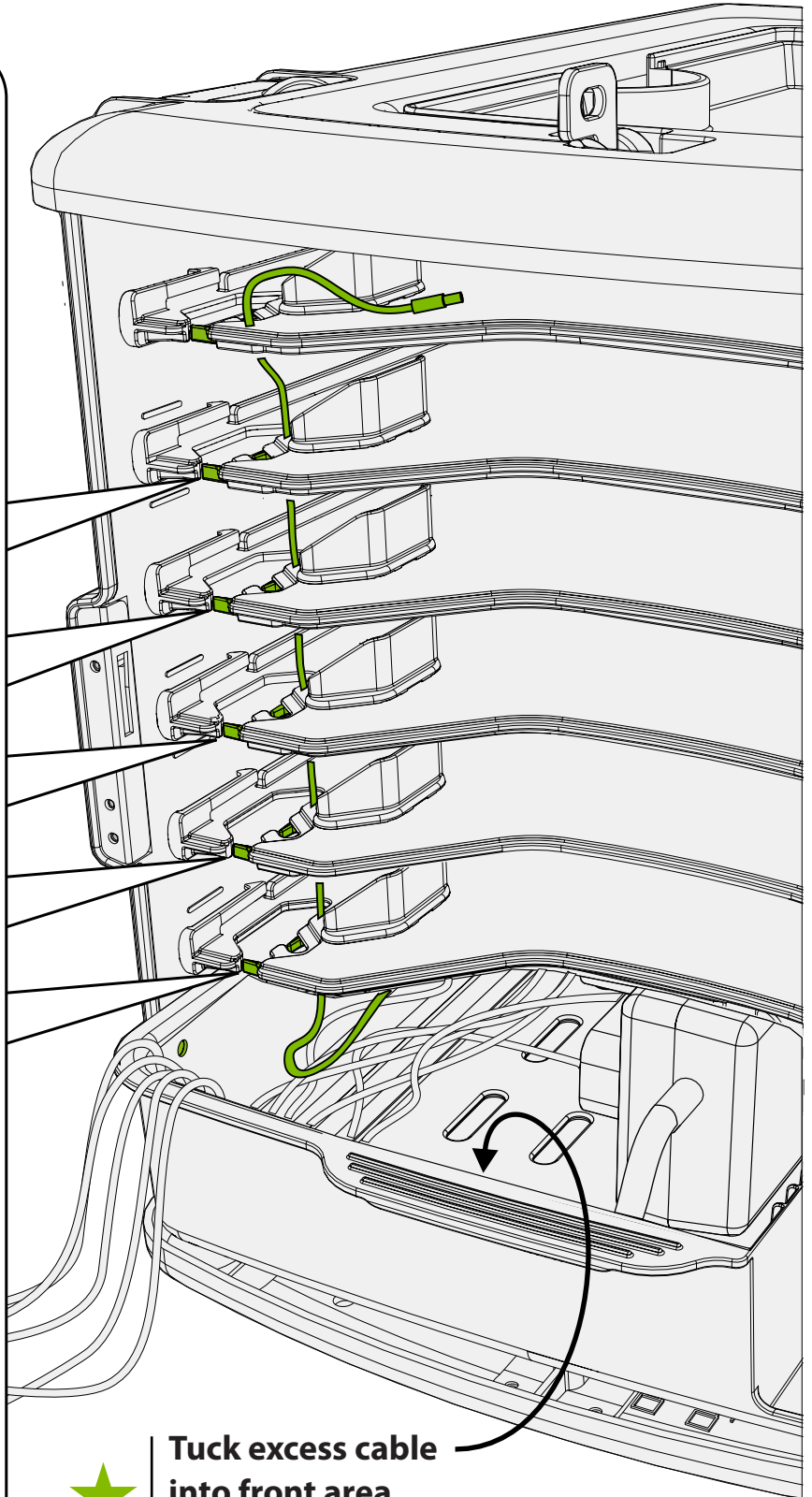
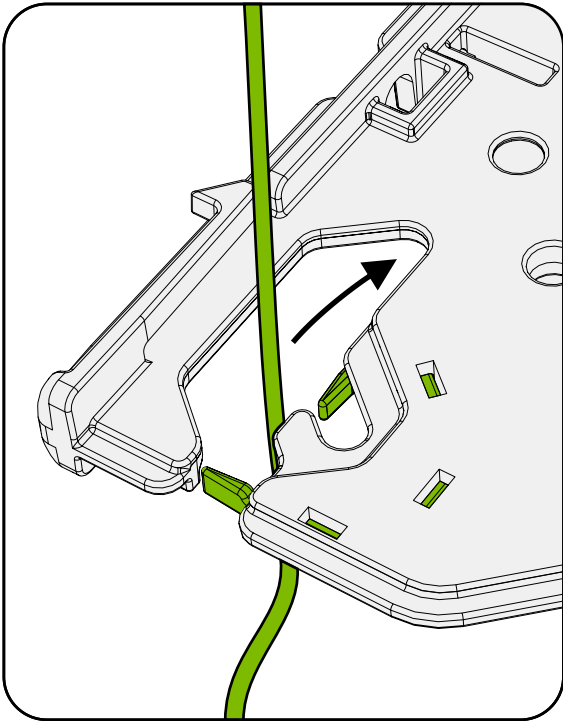
Tuck excess cable into front area of power tray

Continue inserting cable into first cable management clip on all remaining shelves

1 Push cable through first green clip

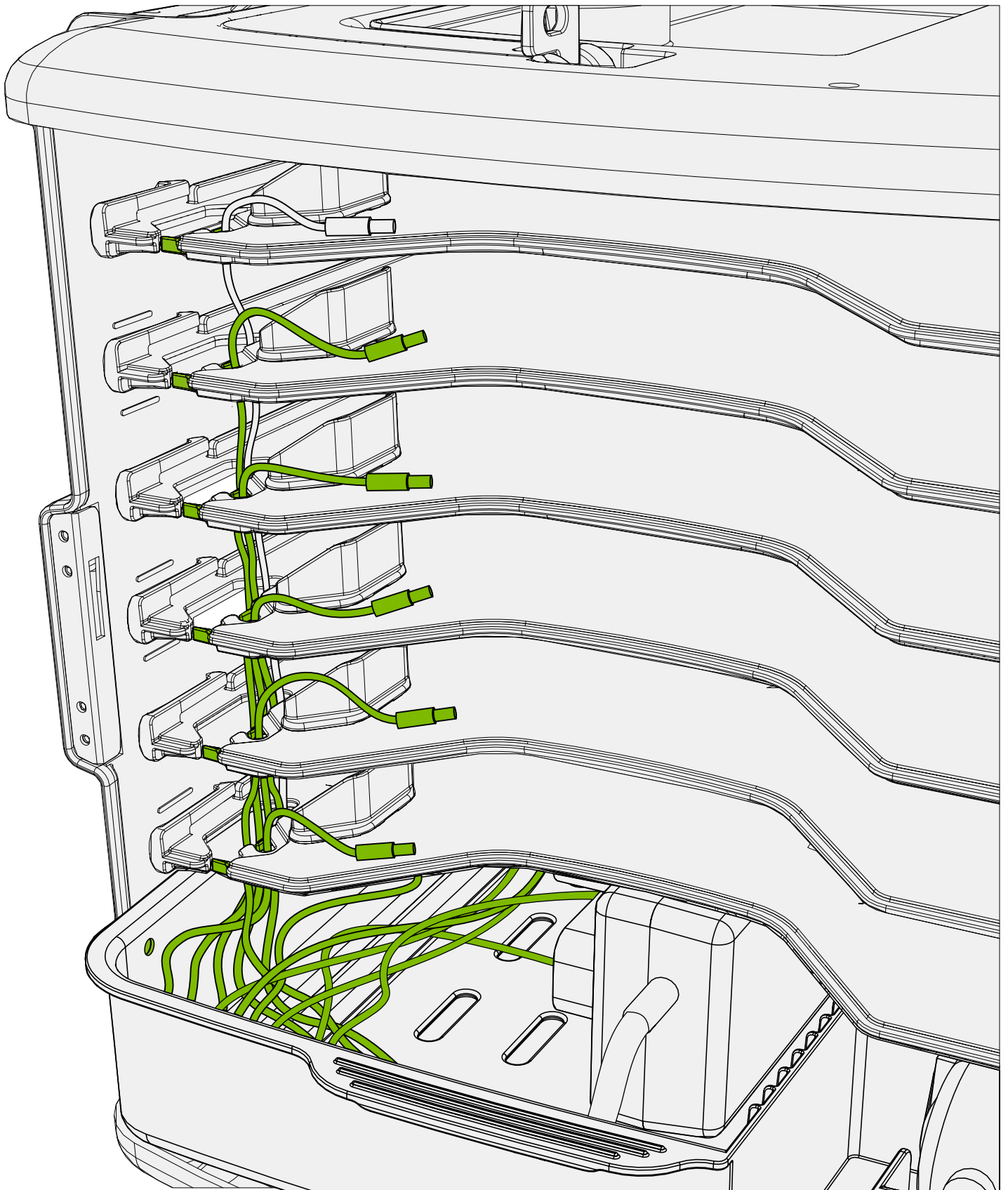


2 Push cable to back of opening

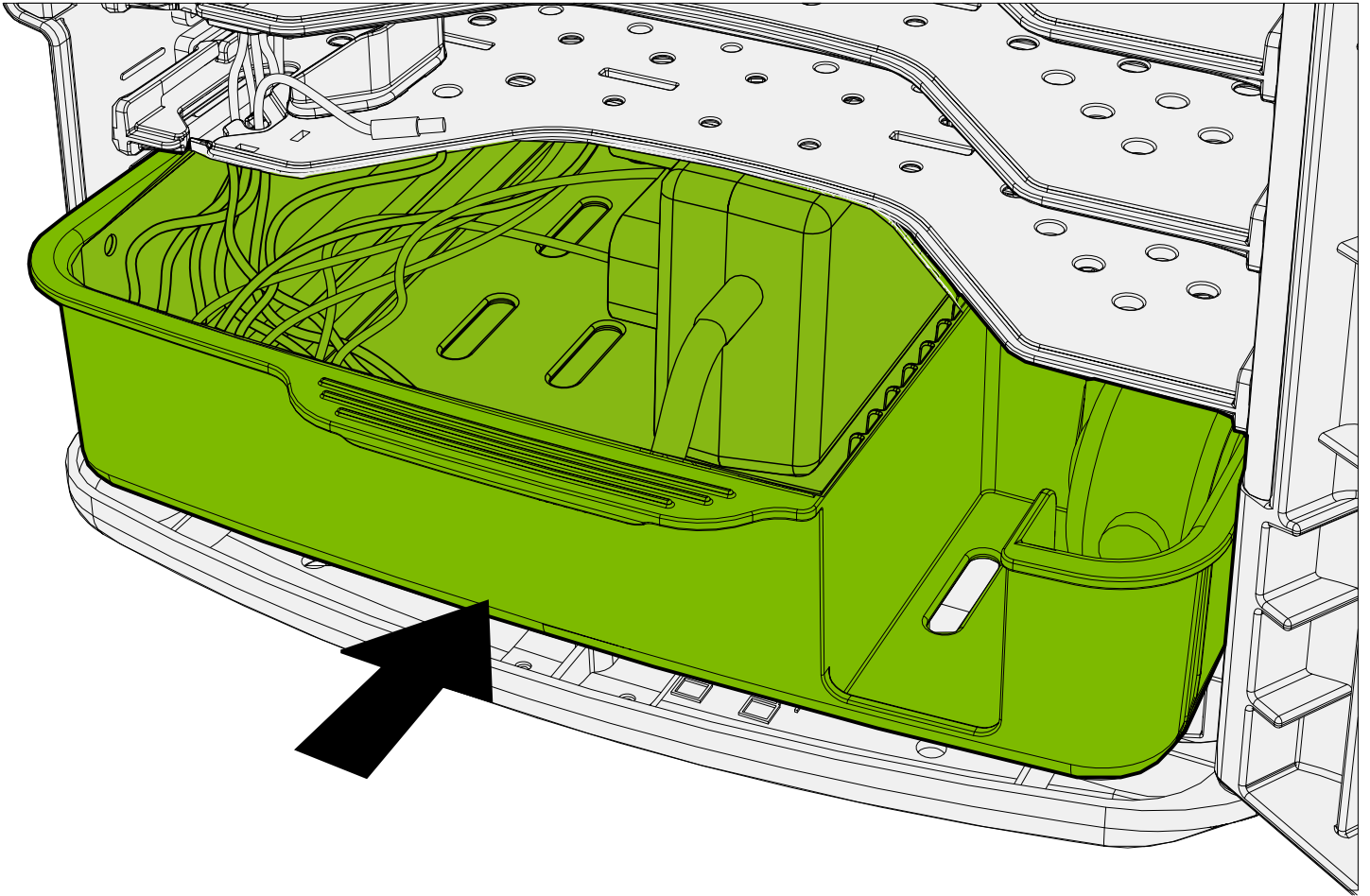


★ Tuck excess cable into front area of power tray

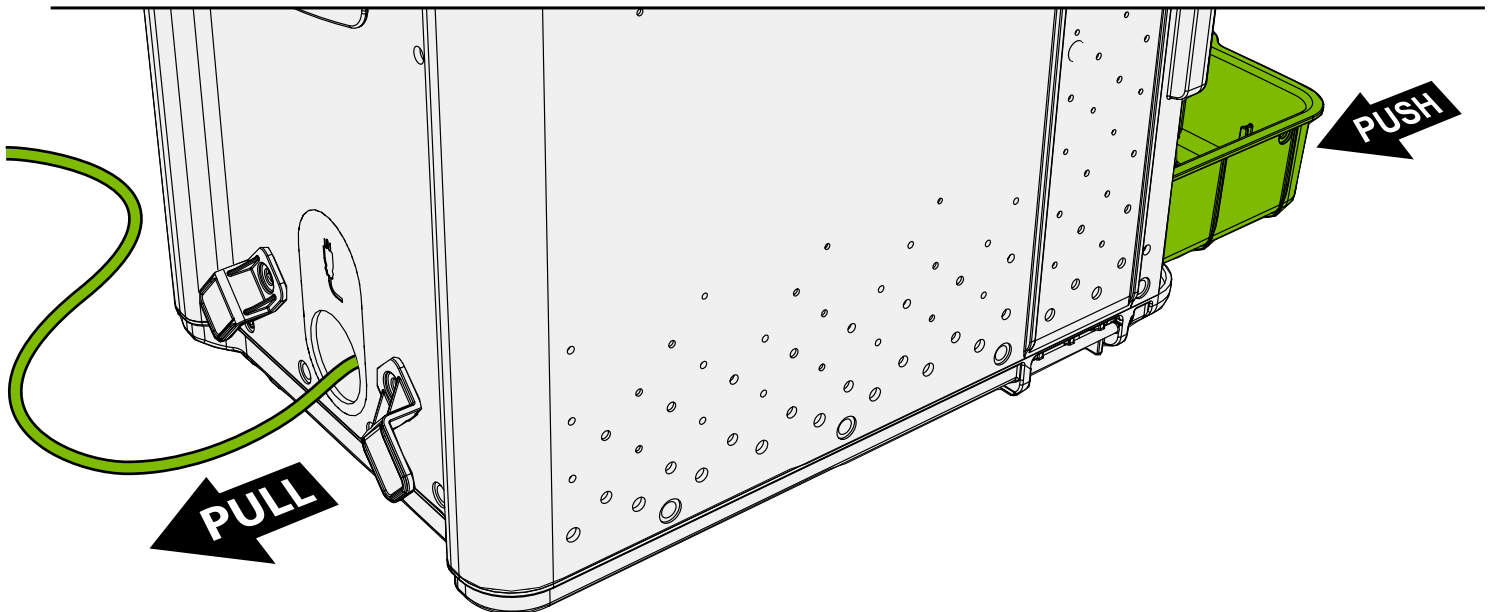
Repeat Step 9A and 9B until all remaining cables are clipped into shelves (as shown)



Slide Tray all the way into the Tub



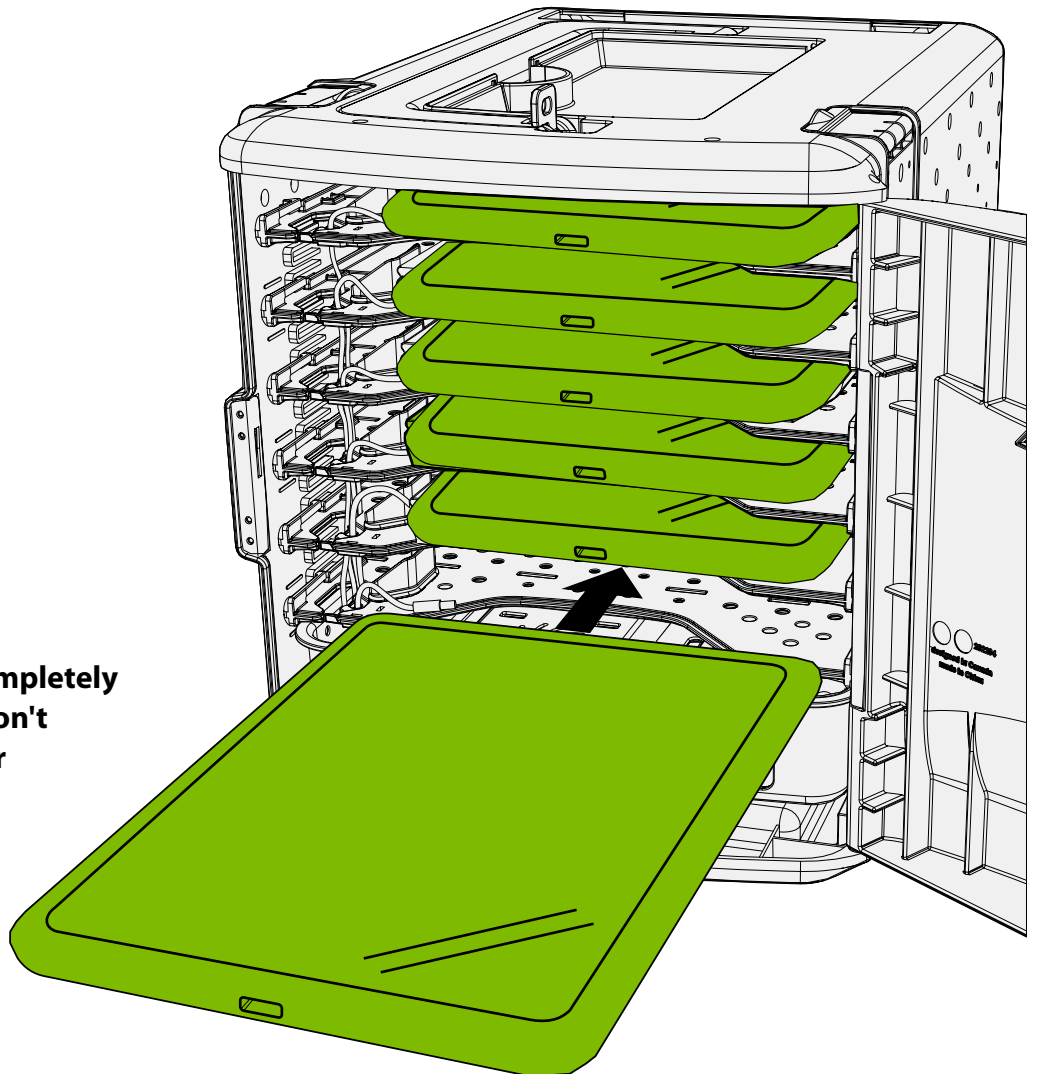
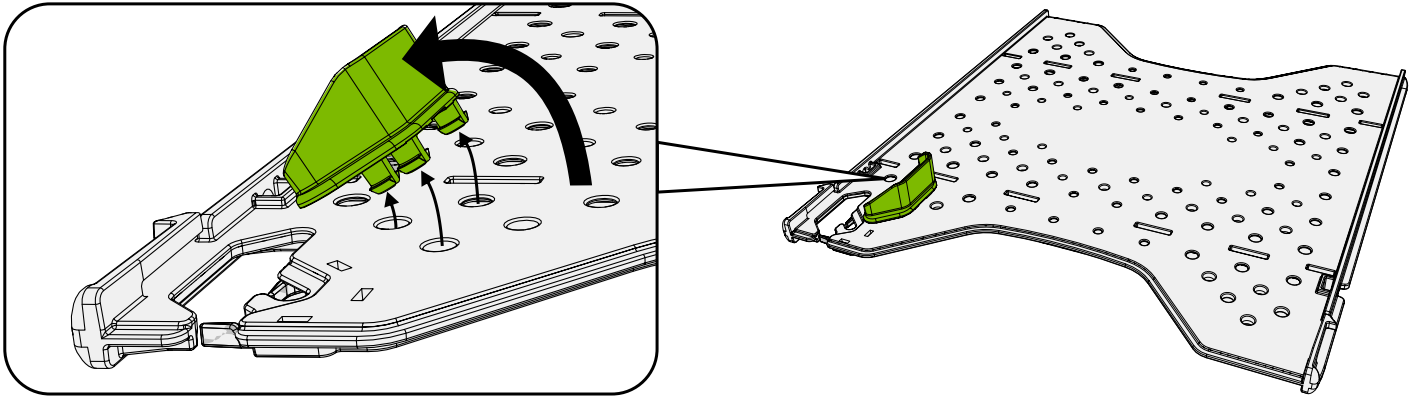
★ When pushing the tray in, pull the cable to keep it out of the way of the tray



Insert your devices into Tech Tub[®]

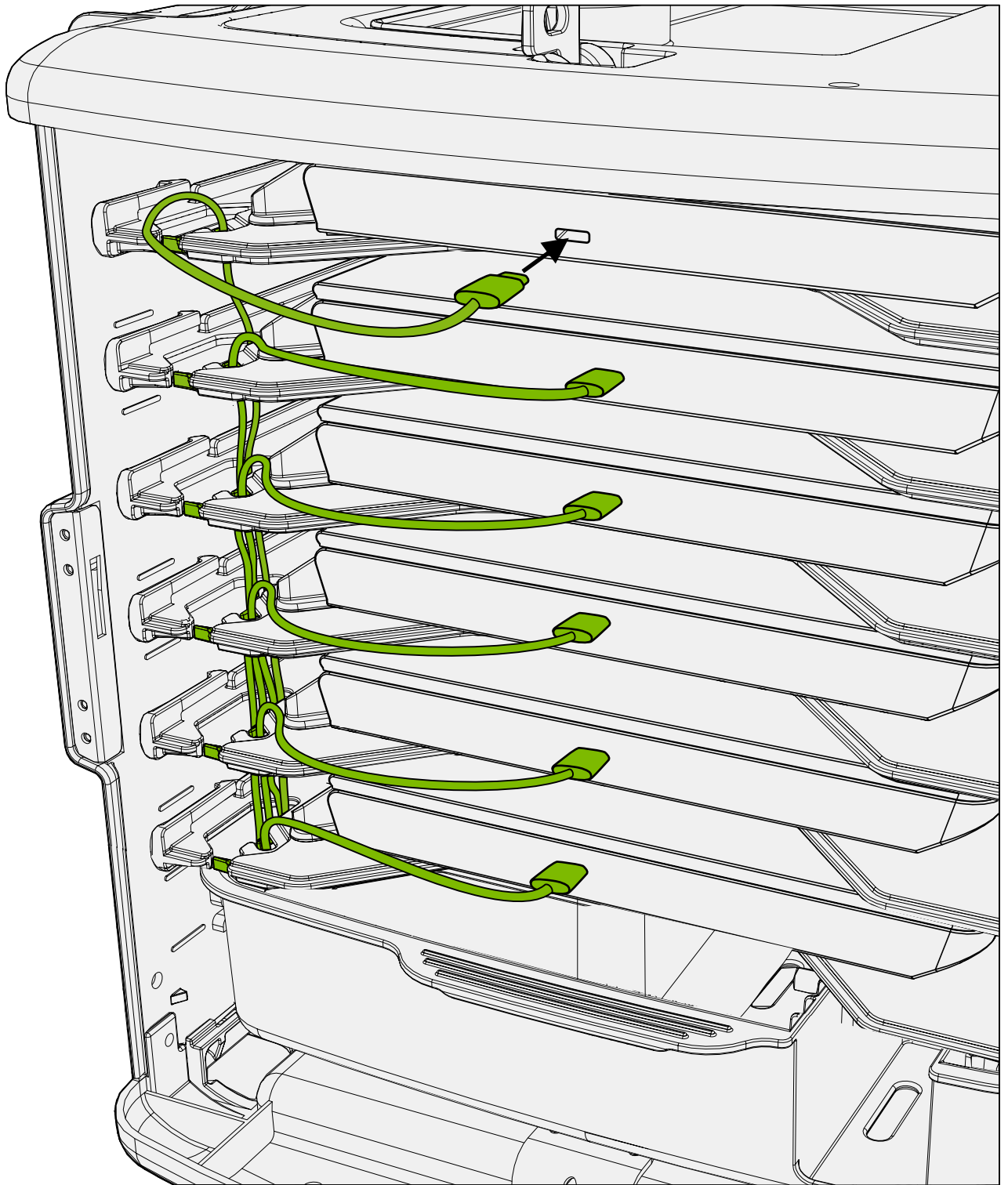


Device Positioning Rails are removable if you require more space for larger devices.
To remove, push on the top edge and rotate up out of holes in shelf.
If you wish to discard Device Positioning Rails please recycle them.



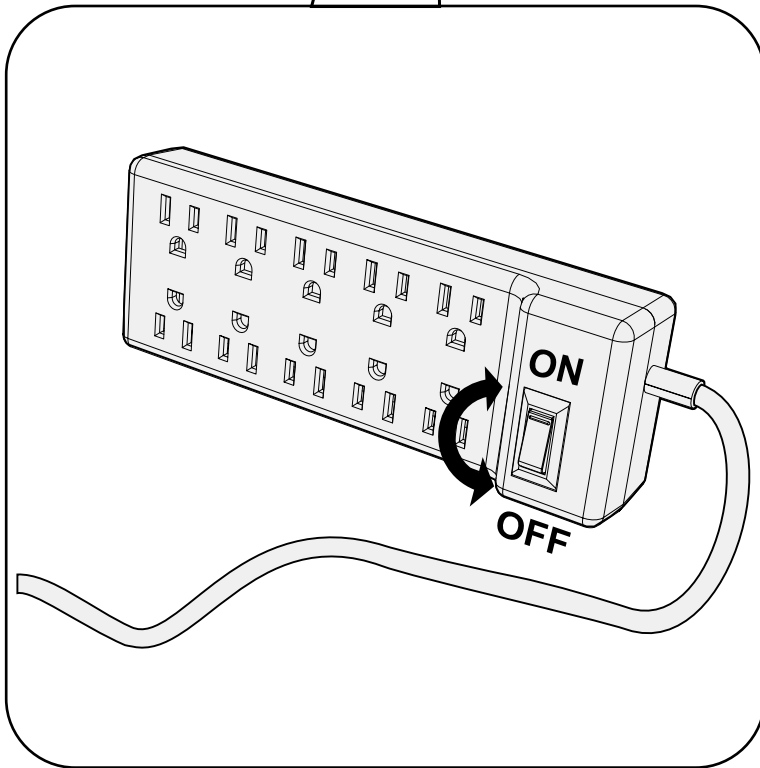
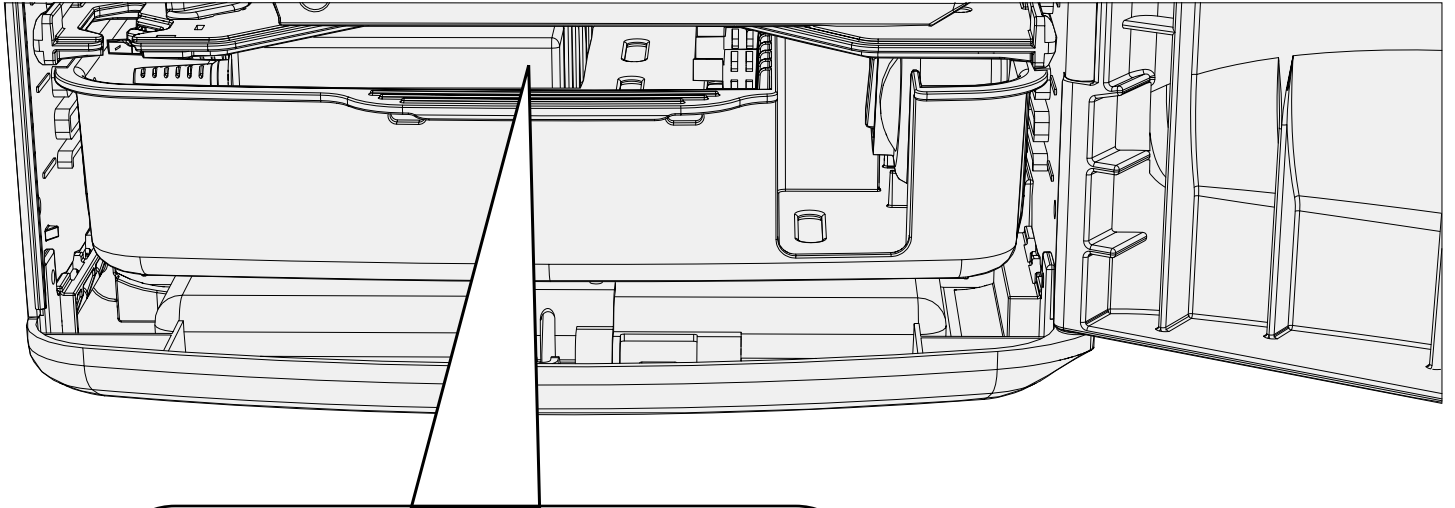
Push devices in completely
to ensure cables don't
interfere with door

Plug device power cable into each device

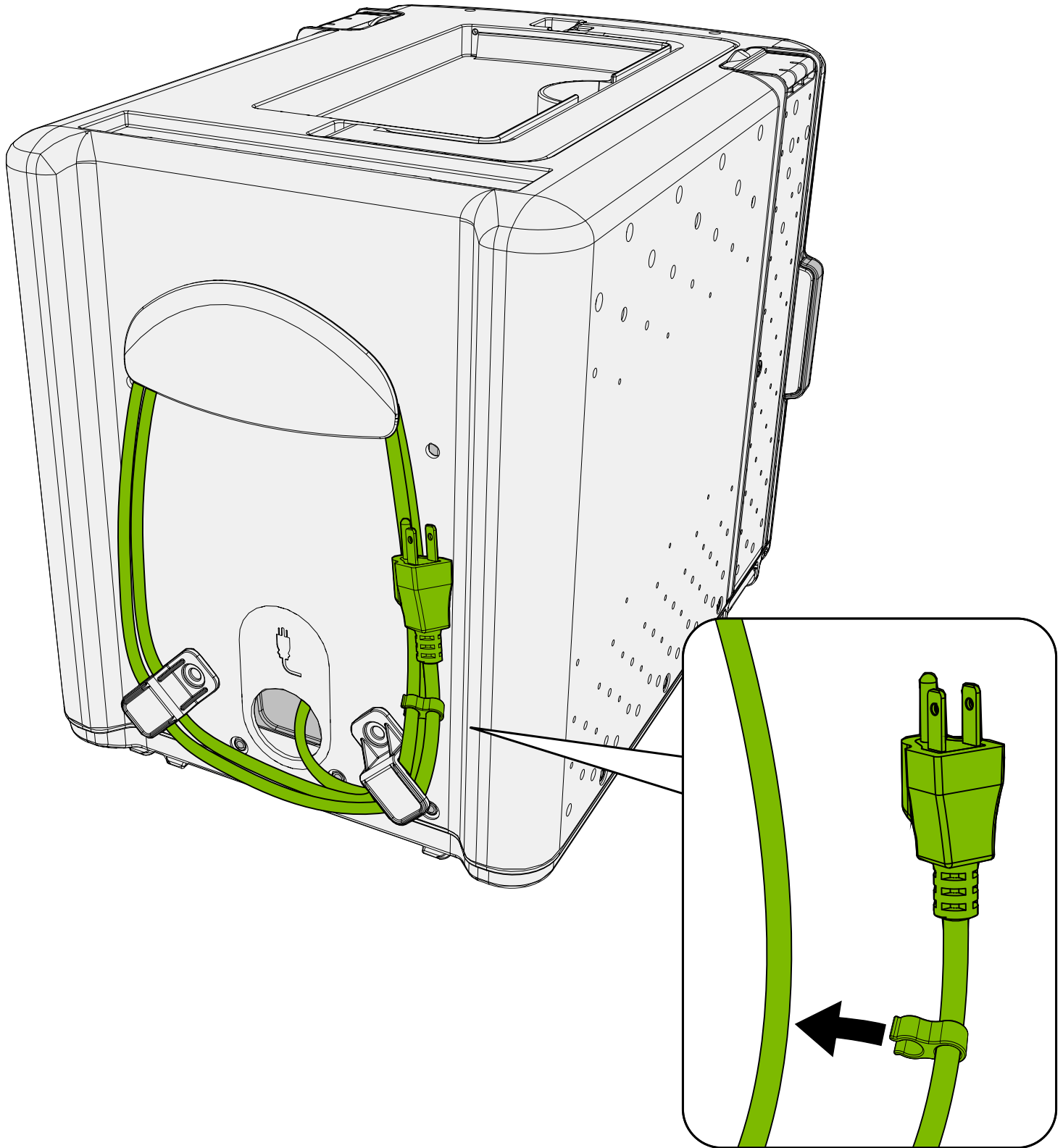


! Once step 13 is complete plug power strip power cable into wall outlet

Turn on power strip in Power Tray

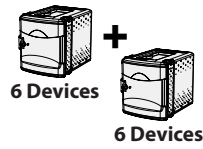


Wrap Power Strip power cable around cable hooks when moving Tech Tub²

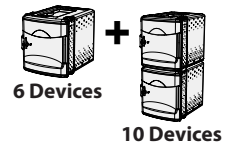




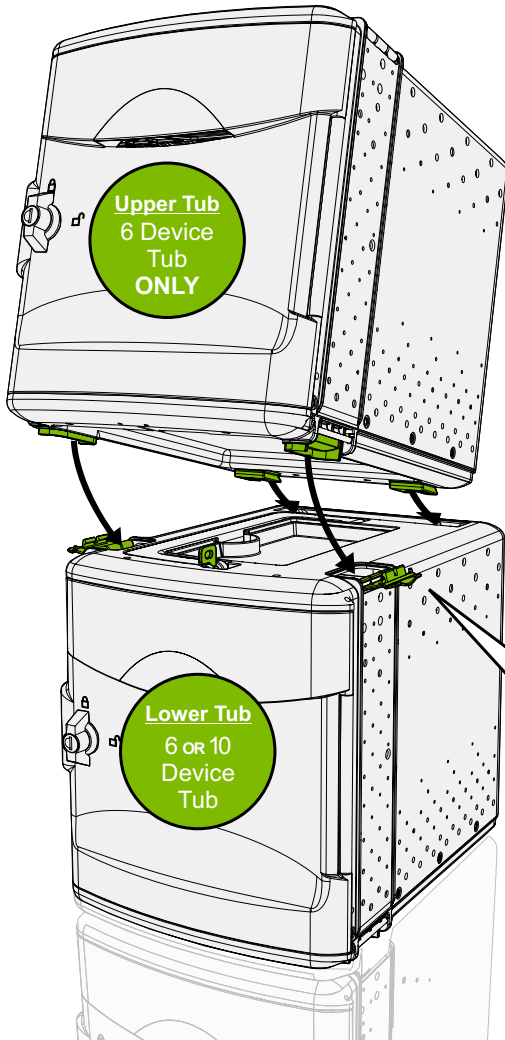
Connecting Tubs Together



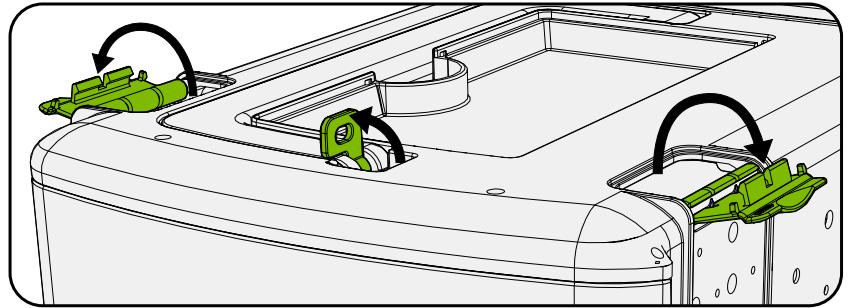
OR



Connect a 6 Device Tub to a 6 Device Tub or a 10 Device Tub



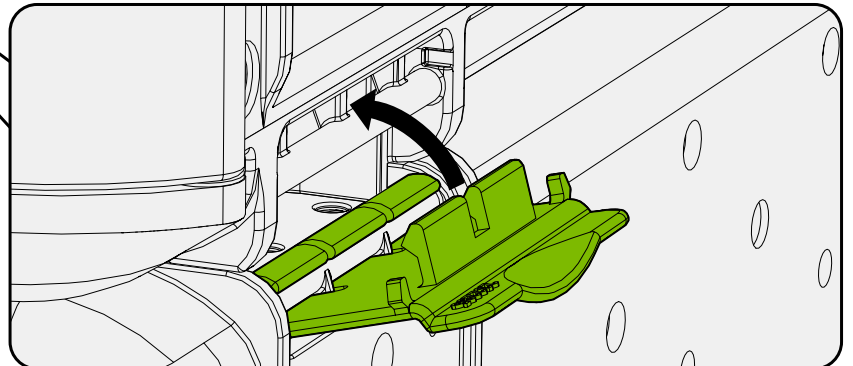
1 Flip up Locking Tab and Open side Flip Locks on lower tub



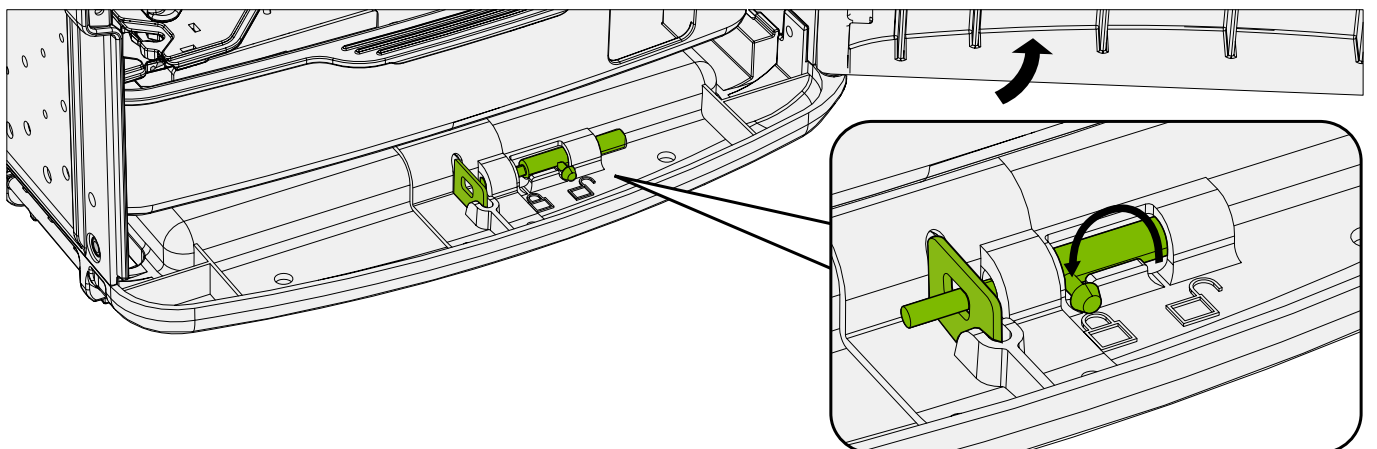
2 Insert back feet of upper tub into slot on top of lower tub

3 Insert front feet of upper tub into holes on top of lower tub

4 Connect upper and lower tub using side Flip Locks



5 Open the front door of upper tub and slide locking pin through metal tab



6 Close and lock front door of Tech Tub² to secure devices

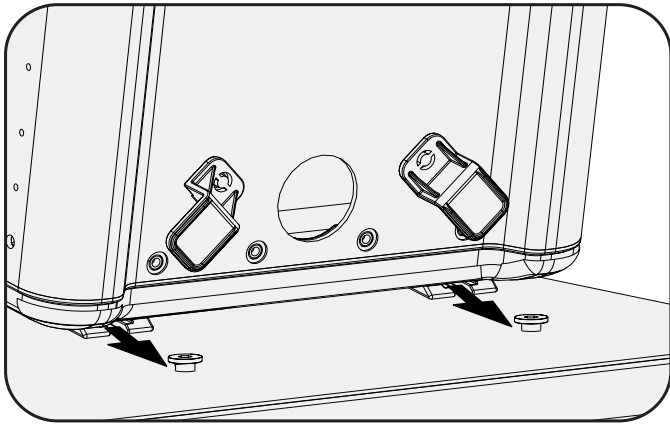


Surface Mounting Tech Tub²[®]

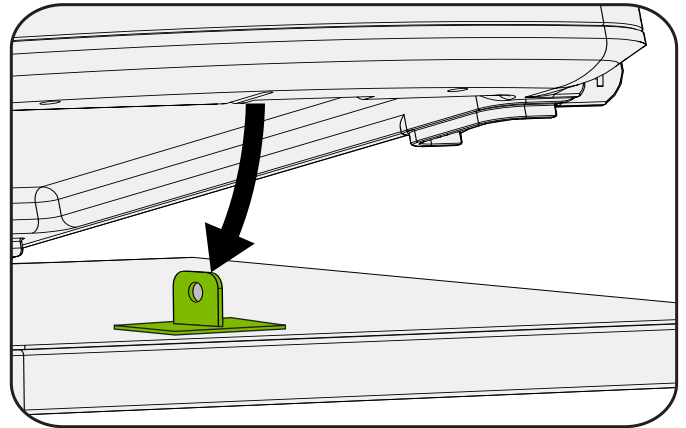
Lock Tub to surface using Locking Pin

! First, install surface mounting hardware using attached template (stapled to end of this guide) then complete steps below to secure your Tech Tub² onto surface

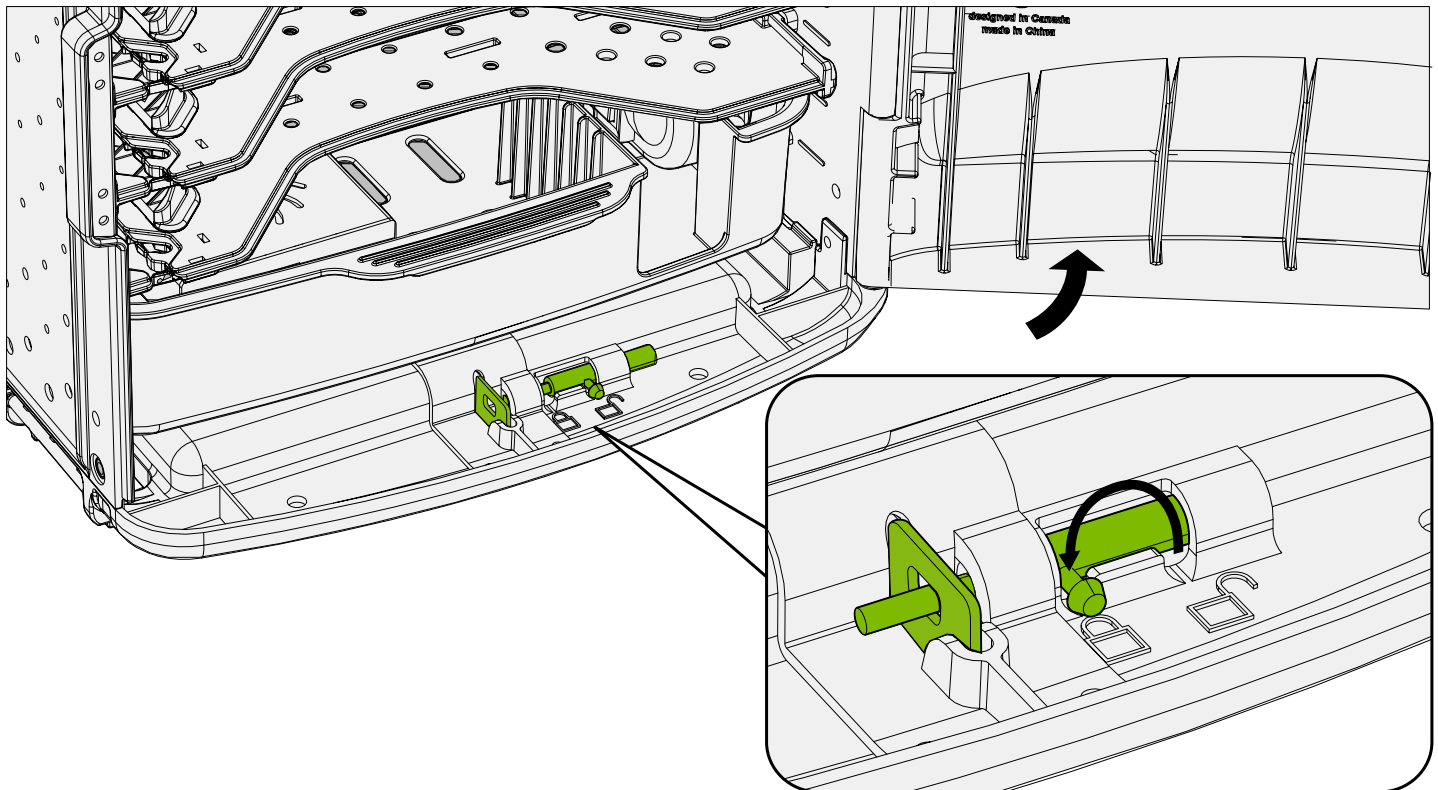
1 Slide rear feet of Tech Tub²[®] onto the pins



2 Fit slot (front underside of tub) over metal tab



3 Open the front door and slide locking pin through metal tab



4 Close and lock front door of Tech Tub² to secure devices