

24/7 Emergency Assistance Hotline
1-877-OSCAR99 (672-2799)





3000 Series - Light Duty Reels

- Commercial duty black cord reel
- High impact, corrosion resistant non-metallic housing
- Ideal for use in commercial/industrial workshops, auto garage & machine shops
- Reel mounts to wall or ceiling
- Reel swivels 180° to cover wide range work area
- Compact size allows mounting in tight spaces- Only 6" wide x 11" diameter
- Available with NEMA 5-15 Tri-Tap™ outlets or fluorescent handlamp



2900 Series - Light Duty Cord Reels

- Light duty bright yellow cord reel with steel housing
- Ideal for use in machine shops, automotive garages and commercial and light industrial workshops
- Reel mounts to wall or ceiling
- 2 ft. primary cord with molded-on NEMA 5-15 plug provides wide reach to plug in to nearest receptacle



4000 Series - Industrial

- UL Listed & CSA certified
- Ideal for Indoor and Outdoor Use - NEMA 4 Rated
- Compact Size (12.75" H x 7.75" W - 18 lbs. less cable)
- Heavy Formed Steel Stand (5/16" - thick)
- Available in 3 and 4 Conductors (incl. dedicated ground)
- All-Steel Pawl and Ratchet with 4 Locking Positions
- Automatic Locking Ratchet With lockout Lever Option



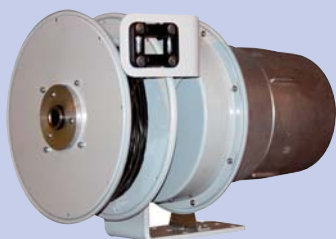
5000 Series - Large Cable Cord Reels

- Ideal for Indoor and Outdoor use (wet or dry)
- Weatherproof NEMA 4X Slip Ring Enclosure
- Heavy All-Steel Construction
- Formed Steel Stand with Multiple Mounting Holes
- 35 Amp/600 Volt Slip Ring
- Available in Welding & Grounding Reel Version
- Supplied with Type SOW or SOOW Cable installed



6000/7000 Series - Extra Long Cord Reels

- Excellent performance in industrial indoor and outdoor applications (wet or dry)
- Built to NEMA 4 Standards/CSA certified
- Standard two-piece roller-guide design for maintainability, with a 345° mounting range
- Reels are sized to handle Type SOW, Type W or Type G cable
- Add an extra 7 feet of cable for hookup/safety wrap, as well as an extra 10% of total travel length for stretch applications



8000 Series - Hazardous Location Reels

- Enclosures are designed to comply with requirements for Class I, Div 1 - Groups C & D and Class II, Groups F & G but are not certified by any regulatory body
- Built to NEC standards
 - Indoor or outdoor use
 - Rugged fabricated steel and cast aluminum construction
 - 30 Amp / 600 Volt advanced slip ring assembly



MANY ERICSON PRODUCTS ARE LISTED OR CERTIFIED.

FOR THE LATEST FULL SEARCHABLE LISTING BY PART NUMBER, GO TO: WWW.ERICSON.COM/AGENCY

Note: Products shown on this page may not be listed.

Reel Construction

Five Basic Parts:

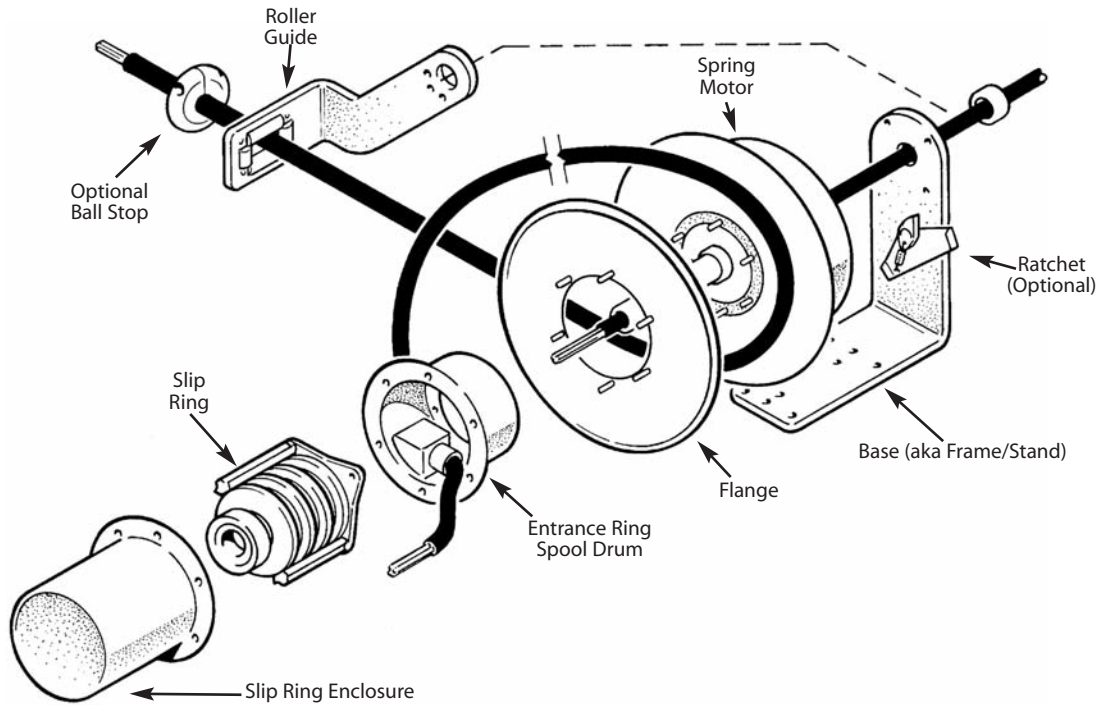
- Base/Stand:** Supports and mounts the reel
- Spring Motor:** Motor which rotates the spool
- Spool:** Composed of a Drum and two Flanges

- Slip Ring:** Transfers power from a stationary source to rotating source
- Roller Guide:** Guides the cable during payout and rewind

Definition of Terms:

- Active Length:** The difference between the minimum and maximum payout of cable
- Safety Wrap:** Cable that stays on the reel at maximum payout (Usually 2 complete wraps)
- Sag Factor:** The effect of gravity on actual travel length during stretch applications (6% - 10%)
- Lift Height:** The distance between where the cable lays to the center line of spool
- Payout:** Pulling cable out of the reel
- Retract or Rewind:** Rewinding cable back into the reel

Components of a Cable Reel

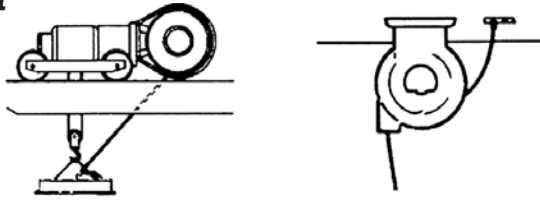


Quick Index & Application Guide

Reel Series	Typical Applications				
	Commercial Facilities	Light Industrial	General Industrial	Heavy-Duty Industrial	Hazardous Locations
3000 Commercial Duty	•				
2900 Light Duty	•				
4000 Industrial Duty	•	•	•		
5000 Industrial Duty	•	•	•	•	
6000 Heavy Duty Industrial	•	•	•	•	
7000 Heavy Duty Industrial	•	•	•	•	
8000 Hazardous Location					•
SDR Grounding Reels	•	•	•	•	



Lift



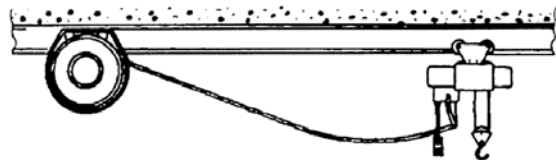
The reel needs to "lift" the cable vertically. The reel is usually stationary. Cable is pulled out of the reel by machine or by hand (as with an overhead light source or a pendant station.)

Drag



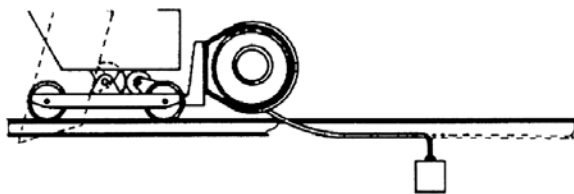
The reel needs to "drag" the cable through supports or along the ground horizontally. The reel is usually stationary. Cable can be pulled out by hand or by machine. Note: This application is the hardest on cable life.

Stretch



The cable is "stretched" horizontally and is unsupported. The reel may be stationary mounted or mounted onto moving equipment. Cable is pulled out by machine. An extra 6% -10% in cable beyond active travel is required for cable sag.

Retrieve



The reel needs to pickup ("retrieve") the cable. The reel is mounted on moving equipment. Cable is pulled out by machine.

Follow these three steps to make sure you get the best reel for your application needs. Your local representative or the sales team at our factory are glad to help if you need additional assistance.

Step 1: Mechanical Requirements:

- How will the reel be used? Stretch, Lift, Drag, or Retrieve? (See left for guidance)
- What type of environment will the reel be located in? (Indoors, outdoors, corrosive environment)
- What is the Duty Cycle? (How often will be reel payout and retract?)
- What is the maximum speed of equipment? (Maximum recommended speed is 150 feet per minute)

Step 2: Electrical Requirements:

- How much amperage is the cable expected to handle?
- At what voltage?
- What will the reel be required to handle: power, control, or communication signals?
- How many total conductors are required? (Please include one conductor for dedicated ground)
- What gauge (AWG) cable is required? The amperage and total number of conductors required will determine the gauge

Step 3: Cable Length Requirements:

- ADD: Active Length: The difference between the minimum operating payout
- PLUS: Inactive Length: Cable that always stays out of the reel, even at full retraction
- PLUS: Safety Wrap:* Cable that stays on the reel at maximum payout - See note below for details
- PLUS: Sag Factor - (Stretch Only): Add 10% to Active and Inactive Length total
- Lift Height - (Drag/Retrieve): The distance between where the cable lays up to the spool center line. Max 4'
- Hook up Length: Cable required for termination at both ends - 2-3' Spool End

- * NOTE:
- Series 4000 = 2'
 - Series 5000 = 2'
 - Series 6000 = 5'
 - Series 7000 = 5'
 - Series 8000 = 3'

3000 Series - Light Duty Cord Reels



- Commercial duty black cord reel
- High impact, corrosion resistant non-metallic housing
- Ideal for use in commercial/industrial workshops, automotive garage & machine shops
- Reel mounts to wall or ceiling
- Reel swivels 180° to cover wide range work area
- Compact size allows mounting in tight spaces- Only 6" wide x 11" diameter
- Ratchet lock holds cord at desired position
- Available with NEMA 5-15 Tri-Tap™ outlets or fluorescent handlamp
- Installation kit comes complete with instruction sheet, mounting bracket and all the hardware needed for a complete installation
- Circuit breaker to prevent overload

3000 Series Cord Reel Selection Guide

	Angle Light	Tri-Tap Outlet
Non-metallic Housing with:		
With 50-ft. of cable	3163-50-AL	3163-50-TT
SPECIFICATIONS:		
Cord Size	#16/3	#16/3
Cord Type	SJTOW	SJTOW
Circuit Breaker	8 Amps	8 Amps
Cord Outlets	N/A	(3) NEMA 5-15
Primary: Cord Length	2 ft.	2 ft.
Power Switch in Handlamp Handle	Yes	-
Side Outlet in Handlamp Handle	(1) NEMA 5-15	-
Bulb Wattage	13 watt	-
Bulb Included	Yes	-
Ballast Location	Handle	-

2900 Series - Light Duty Cord Reels

- Light duty bright yellow cord reel with steel housing
- Ideal for use in machine shops, automotive garages and commercial and light industrial workshops
- Reel mounts to wall or ceiling
- 2 ft. primary cord with molded-on NEMA 5-15 plug provides wide reach to plug in to nearest receptacle
- Reel comes with incandescent or fluorescent handlamp
- Ratchet lock holds cord at desired position



2900 Series Selection Guide

Cord GA., #Cond. & Type	Length		
#16/3 SJT	30'	2900	
#18/2 SJT	40'		2910
Specifications:			
Volts		120	120
Amps		10	7
Handlamp:			
Wattage		100 watt	13 watt
Switch		Yes	Yes
Side Outlet		Yes	



SPECIFICATIONS



Standard Reel Offering	4000	5000	6000	7000	8000
Lift/Drag Application	Standard	Standard	Standard	Standard	Standard
Ball Stop included	Yes	Yes	Yes	Yes	Yes
Ratchet Installed	Yes	Yes	Yes	Yes	Yes
Primary Power Cord & Plug attached to Reel	Yes - Molded plug matches amp rating of cord/reel	No - must run conduit and hardwire	No - must run conduit and hardwire	No - must run conduit and hardwire	No - must run conduit and hardwire
SJ Cord Type	Standard	Not available	Not available	Not available	Not available
SO Cord Type	By part number designation only -SO	Standard	Standard	Standard	Standard - XP locations must have SO cable per NEC
Blunt Secondary	Standard	Standard	Standard	Standard	Standard
Add-ons installed - Lights - Power Boxes - Single Connectors	Per part number & cord size limitations	Per part number & cord size limitations	Per part number & cord size limitations	Per part number & cord size limitations	XP Type only - Per part number & cord size limitations
Stretch/Retrieve No Ball Stop No Ratchet installed	Not available	Custom RFQ Only	Custom RFQ Only	Custom RFQ Only	Custom RFQ Only
Cord Type - Standard	#16/3 SJOW to #12/4	#16/3 SOW to #10/6	#16/3 SOW #10/4	#16/4 SOW to #10/4	#16/3 SOW to #14/4
Electrical Rating (Amps @ 120V)	10A to 20A	5A to 25A	8A to 25A	12A to 25A	8A to 20A
Lengths Available	25 to 50 Ft	20 to 70 ft	70 to 150 ft	125 to 150 Ft	20 to 50 ft



MANY ERICSON PRODUCTS ARE LISTED OR CERTIFIED.
 FOR THE LATEST FULL SEARCHABLE LISTING BY PART NUMBER, GO TO: WWW.ERICSON.COM/AGENCY
 Note: Products shown on this page may not be listed.



- UL Listed & CSA certified
- Ideal for Indoor and Outdoor Use - NEMA 4 Rated (wet or dry - less electrical options & molded plug which are NEMA 2)
- Safety-Yellow Powder-Coated Finish
- Compact Size (12.75" H x 7.75" W - 18 lbs. less cable)
- Heavy Formed Steel Stand (5/16" - thick)
- Available in 3 and 4 Conductors (incl. dedicated ground)
- All-Steel Pawl and Ratchet with 4 Locking Positions
- Automatic Locking Ratchet With lockout Lever Option
- Adjustable / Removable Steel Cable Guide (3/16" - thick)
- Low-Friction, 4-roller cable guide

**GREAT FOR
SCHOOLS,
FIREHOUSES
& PULL DOWN
DISPLAY POWER**

ADD
ONE OF
THESE
GREAT
OPTIONS



4000 Series Cord Reel Selection Guide

12 Gauge = SJOOW 14 Gauge = SJOOW 16 Gauge = SOW Only	Reel w/ Cable Only		944-RS Handlamp	744-RS Handlamp	900 Handlamp
	See Table	SOW Cable			
Reels with 3-Conductor Cable					
with 25-ft. of #16/3 AWG	4163-25	4163-25SO	4163-25-HSS	4163-25-HS	
with 35-ft. of #16/3 AWG	4163-35	4163-35SO	4163-35-HSS	4163-35-HS	
with 50-ft. of #16/3 AWG	4163-50	4163-50SO	4163-50-HSS	4163-50-HS	
with 30-ft. of #14/3 AWG	4143-30	4143-30SO	4143-30-HSS		4143-30-F
with 40-ft. of #14/3 AWG	4143-40	4143-40SO			4143-40-F
with 50-ft. of #14/3 AWG	4143-50	See 5000 Series Reels	4143-50-HSS	4143-50-HS	4143-50-F
with 25-ft. of #12/3 AWG	4123-25	See 5000 Series Reels	4123-25-HSS		4123-25-F
with 50-ft. of #12/3 AWG	4123-50	4123-30-50	4123-50-HSS	4123-50-HS	4123-50-F
Reels with 4-Conductor Cable					
with 35-ft. of #16/4 AWG	4164-35	4164-35SO			
with 50-ft. of #16/4 AWG	4164-50	4164-50SO			
with 35-ft. of #14/4 AWG	4144-35				
with 25-ft. of #12/4 AWG	4124-25	4124-25SO			
with 35-ft. of #12/4 AWG	4124-35				
SPECIFICATIONS:					
Electrical Ratings	300V	600V			
Reels with AWG #16/3,#16/4	10A, 8A	10A, 8A	125v/10A	125v/10A	125v/2A
Reels with AWG #14/3, #14/4	15A, 12A	15A, 12A	125v/15A	125v/15A	125v/2A
Reels with AWG #12/3, #12/4	20A, 16A	20A, 16A	125v/20A	125v/20A	125v/2A
Cord Type	SJOW	SOW	SJOW	SJOW	SJOW
Power Switch in Handlamp Handle	-	-	Yes	Yes	Yes
Side Outlet in Handlamp Handle	-	-	Yes	No	No
Guard Material	-	-	Zinc Plated Steel	Zinc Plated Steel	Non-Metallic
Handle Material	-	-	Vinyl Nitrile Rubber	Vinyl Nitrile Rubber	Vinyl Nitrile Rubber
Bulb Wattage	-	-	100 Watt		13 Watt Fluorescent
Bulb Included	-	-			

Orange = NEMA 2 Green = NEMA 4



4000 Series - Industrial Grade Cord Reels

- Adjustable Ball Stop Included
- 6' Feeder Cord (Note: Molded plug included on all 3 conductor cables, 4 conductor cable supplied without plug)
- Slip Ring: 30 Amps, 600 Volts
- Available with and without handlamps or receptacle box pre-installed



6000 Outlet Box (2) NEMA 5-15 Duplex Receptacles (Non-GFCI)	6000 Outlet Box (2) NEMA 5-20R Duplex Receptacles (Non-GFCI)	6029 Extra-Deep Outlet Box (1) NEMA 5-15 Duplex Recept. & (1) NEMA 5-15 GFCI duplex Recept.	NEMA 5-15C Connector Perma-Link®	NEMA 5-20C Connector Perma-Grip™
4143-30-B		4143-30-BG	4143-30-1610	
4143-40-B		4143-40-BG	4143-40-1610	
4143-50-B		4143-50-BG	4143-50-1610	
4123-25-B	4123-25-B20	4123-25-BG	4123-25-1610	4123-25-1612CG
4123-3050-B				
4123-50-B	4123-50-B20	4123-50-BG	4123-50-1610	4123-50-1612CG
125v/10A		125v/10A	125v/10A	
125v/15A		125v/15A	125v/15A	
125v/20A		125v/20A	125v/20A	
SJOW		SJOW	SJOW	
-		-	-	
-		-	-	
-		-	-	
-		-	-	
-		-	-	
-		-	-	

CTS* - Cord gauge is too small *Two independent GFCI circuits



MANY ERICSON PRODUCTS ARE LISTED OR CERTIFIED.
 FOR THE LATEST FULL SEARCHABLE LISTING BY PART NUMBER, GO TO: WWW.ERICSON.COM/AGENCY
 Note: Products shown on this page may not be listed.





- Ideal for indoor and outdoor use (wet or dry)
- Weatherproof NEMA 4 slip ring enclosure
- Heavy all-steel construction
- Safety-yellow powder-coated finish
- Numbered terminal blocks for simplified hookup
- Formed steel stand with multiple mounting holes
- Guide arm (4-roller, adjustable to 12 positions for efficient cable storage)
- Ratchet - positive lock including constant tension feature
- 35 Amp/600 volt slip ring
- Available in welding & grounding reel version
- Supplied with Type SOW or SOOW cable installed
- Primary feeder cord with watertight cable gland supplied with reel

Ratchet & ball stop included



5000 Series Cord Reels Selection Guide

SOW Cable Gauge & Conductors - 600V						
	Amp Rating	20'	30'	40'	50'	60'
16/3	10A	5163-20	5163-30	5163-40	5163-50	5163-60
16/4	8A	5164-20	5164-30	5164-40	5164-50	5164-60
16/6	8A	5166-20	5166-30	5166-40	5166-50	
16/8	7A	5168-20	5168-30	5168-40	5168-50	
16/10	5A	51610-20	51610-30	51610-40		
16/12	5A	51612-20	51612-30	51612-40		
14/3	15A	5143-20	5143-30	5143-40	5143-50	5143-60
14/4	12A	5144-20	5144-30	5144-40	5144-50	5144-60
14/6	12A	5146-20	5146-30	5146-40	5146-50	
14/8	10.5A	5148-20	5148-30			
14/10	7.5A	51410-20				
12/3	20A	5123-20	5123-30	5123-40	5123-50	5123-60
12/4	16A	5124-20	5124-30	5124-40	5124-50	
12/6	16A	5126-20	5126-30			
12/8	14A	5128-20				
10/3	25A	5103-20	5103-30	5103-40	5103-50	
10/4	20A	5104-20	5104-30	5104-40	5104-50	
10/6	20A	5106-20	5106-30			



-BG-20
Not for #16 AWG



-1612-PWDX
20 Amp
5-20R T
Slot 1612-PWDX
(Not for #16 AWG)



-HSS
Handlamp for any 3-wire cord
(Not for #16 AWG)



-F
13 watt
Fluorescent
Handlamp

For Reel Dimensions, refer to the end of this section.



Ratchet & ball stop included



- Our 6000 Series and 7000 Series reels are your top-quality, low-cost alternative to other spring reels of this capacity. These reels offer heavy-duty performance at some of the most attractive prices in the market.
- Excellent performance in industrial indoor and outdoor applications (wet or dry)
- Built to NEMA 4 Standards/CSA certified
- Heavy all-steel construction
- Safety-yellow powder-coated finish
- Standard two-piece roller-guide design for maintainability, with a 345° mounting range
- Safety-sealed, lifetime lubricated spring motor canister
- Generously sized slip ring housing with fully articulating brushes for flawless contact in adverse conditions
- Variety of ring amp ratings from 35-150 Amps
- Reels are sized to handle Type SOW, Type W or Type G cable
- Add an extra 7 feet of cable for hookup/safety wrap, as well as an extra 10% of total travel length for stretch applications
- Primary power conductors supplied with reel

6000 & 7000 Series Cord Reels Selection Guide

SOW Cable Gauge & Conductors

	Amp Rating	70'	80'	90'	100'	125'	150'
16/3	10	6163-70	6163-80	6163-90	6163-100	6163-125	6163-150
16/4	8	6164-70	6164-80	6164-90	6164-100	6164-125	7164-150
14/3	15	6143-70	6143-80	6143-90	6143-100	6143-125	7143-150
14/4	12	6144-70	6144-80	6144-90	6144-100	7144-125	7144-150
12/3	20	6123-70	6123-80	6123-90	6123-100	7123-125	7123-150
12/4	16	6124-70	6124-80	6124-90	6124-100	7124-125	
10/3	25	6103-70	6103-80	6103-90	6103-100	7103-125	
10/4	20	6104-70	6104-80	6104-90	6104-100	7104-125	

For Reel Dimensions, refer to the end of this section.

Add-Ons - Add to Base Part Number (Call for Details)

-1612-PWDX

(not for #16 AWG)



1612-PWDX
NEMA 5-20 T Slot

-B



6000 Box

-BG20

(not for #16 AWG)



6000 Box
GFCI

-HSS



944-RS

-F



900

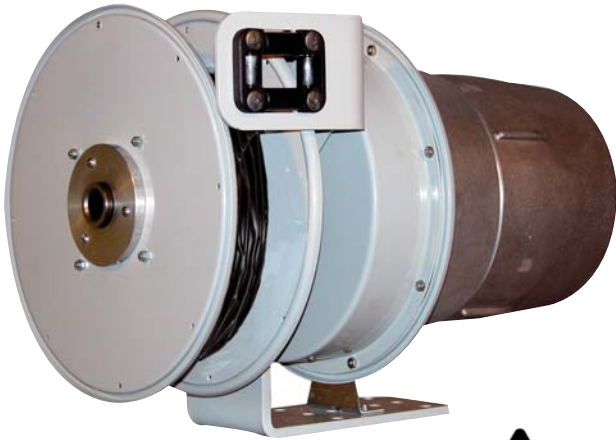


MANY ERICSON PRODUCTS ARE LISTED OR CERTIFIED.

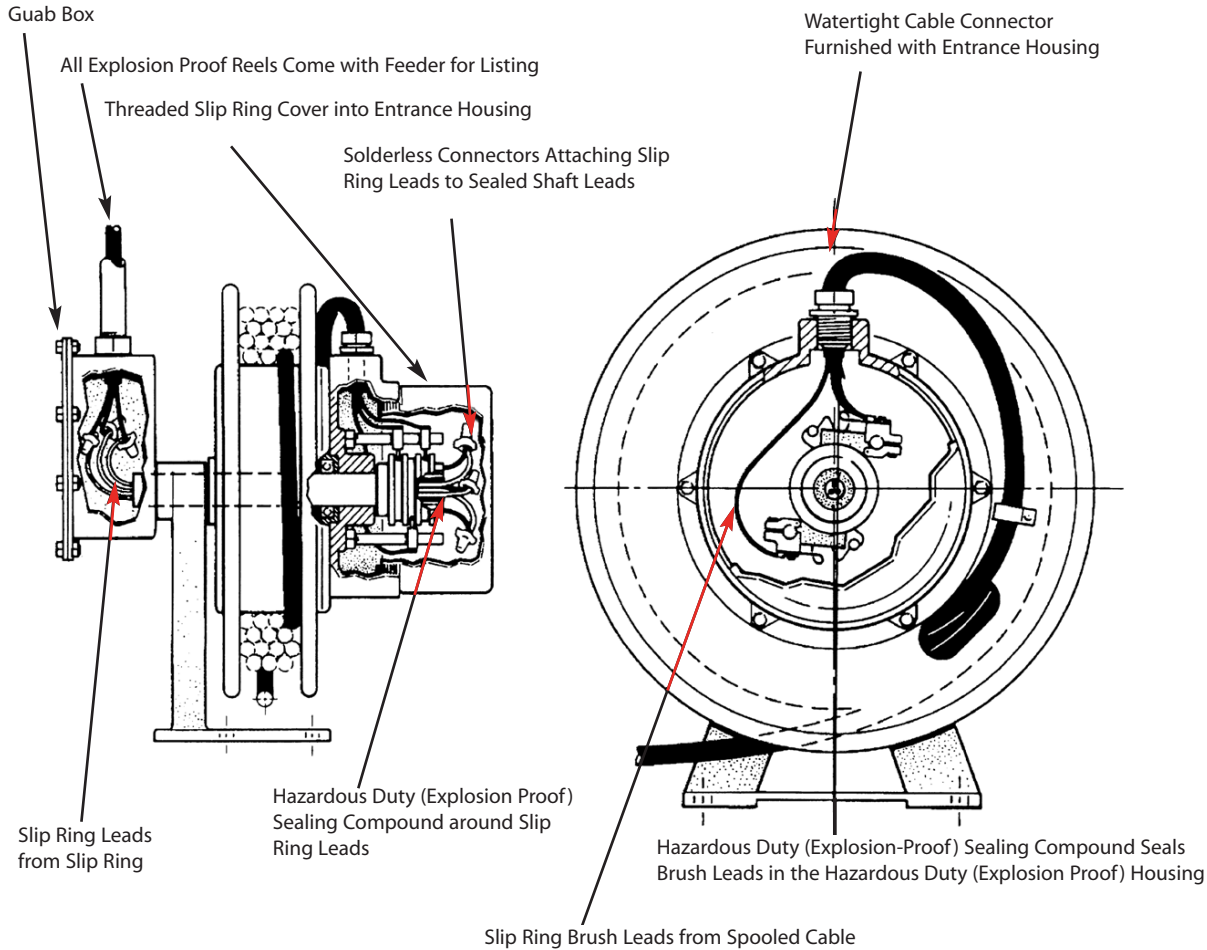
FOR THE LATEST FULL SEARCHABLE LISTING BY PART NUMBER, GO TO: WWW.ERICSON.COM/AGENCY

Note: Products shown on this page may not be listed.





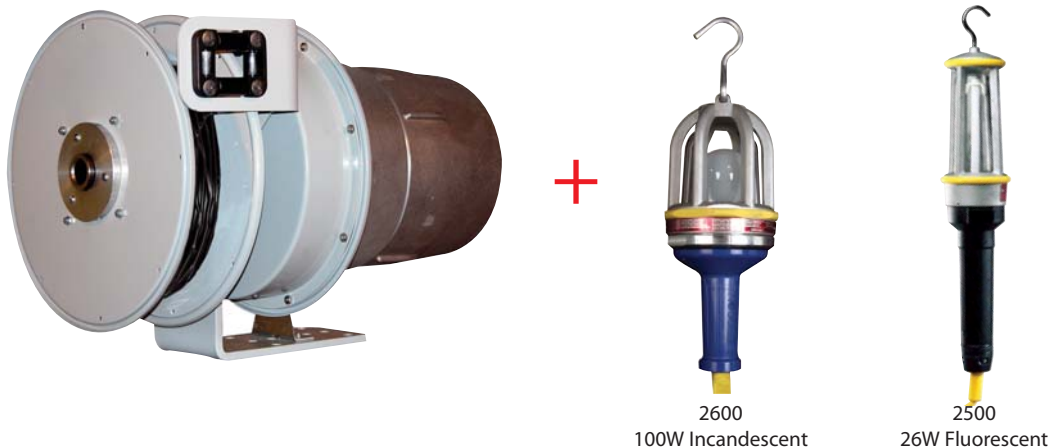
- Enclosures are designed to comply with requirements for Class I, Div 1 - Groups C & D and Class II, Groups F & G but are not certified by any regulatory body
- Built to NEC standards
- Indoor or outdoor use
- Rugged fabricated steel and cast aluminum construction
- 30 Amp / 600 Volt advanced slip ring assembly
- Threaded junction box and slip ring enclosure
- SOW-A cable on factory assembled models
- Spring activated ratchet
- 4-roller adjustable cable guide
- Maximum dimensions: 14 1/2" H x 14 1/2" W x 17" D
- Note: 5 additional feet of cable required for safety wrap and hookup



Reel & Handlamps Meet or Exceed Hazardous Location Requirements

- Class I, Div. I, Groups C & D
- Class II, Groups F & G

Add a Hazardous Handlamp for a Complete System



8000 Series Hazardous Duty Reel Selection Guide

SOW Cable Gauge & Conductors	Length of Cable	Reel with Cable Only	Reel w/ Hazardous Duty Handlamp	
			2600	2500
16/3	20'	8163-20	8163-20-XPI	8163-20-XPF
16/3	40'	8163-40	8163-40-XPI	8163-40-XPF
16/3	50'	8163-50	8163-50-XPI	8163-50-XPF
16/4	20'	8164-20		
16/4	40'	8164-40		
16/4	50'	8164-50		
14/3	20'	8143-20	8143-20-XPI	8143-20-XPF
14/3	40'	8143-40	8143-40-XPI	8143-40-XPF
14/3	50'	8143-50	8143-50-XPI	8143-50-XPF
14/4	20'	8144-20		
14/4	40'	8144-40		
14/4	50'	8144-50		



MANY ERICSON PRODUCTS ARE LISTED OR CERTIFIED.
 FOR THE LATEST FULL SEARCHABLE LISTING BY PART NUMBER, GO TO: WWW.ERICSON.COM/AGENCY
 Note: Products shown on this page may not be listed.

SDR Series Static Discharge Grounding Reel

Areas used for fuel handling, mines and other places where airborne flammables may exist, require reliable static discharge systems...and Ericson has them. Ericson grounding reels are perfect for discharging dangerous static electricity build-up in environments with a risk of fire due to flammable particulates.

Refueling Grounding



Small size

- Built to NEC Standards
- For indoor use only
- Rugged all steel construction
- Compact Design
- Mounts in any position
- Red epoxy coated finish
- Feet are unfinished for maximum electrical contact
- Resistance not exceeding 0.3 OHMS
- Includes aircraft type cable: 3/32" diameter standard steel
- Includes 100 Amp grounding clamp
- Includes automatic locking ratchet with lockout feature for constant tension

Selection Guide

Cable Length	Resistance (ohms)	Description	Catalog Number
50 ft.	0.3	Single Cable	SDR-50



Coated cable

- Ericson 5000 Series Reels are now available for grounding applications where longer cables are needed
- Ball stop included
- 4-roller guide adjustable cable guide
- Auto locking ratchet for constant tension
- 100 amp grounding clamp included
- Resistance not exceeding 2 Ohms

Selection Guide

Cable Length	Description	Catalog Number
100 ft.	Single Cable with orange nylon jacket	SDR-100

Handles Static Charges Safely

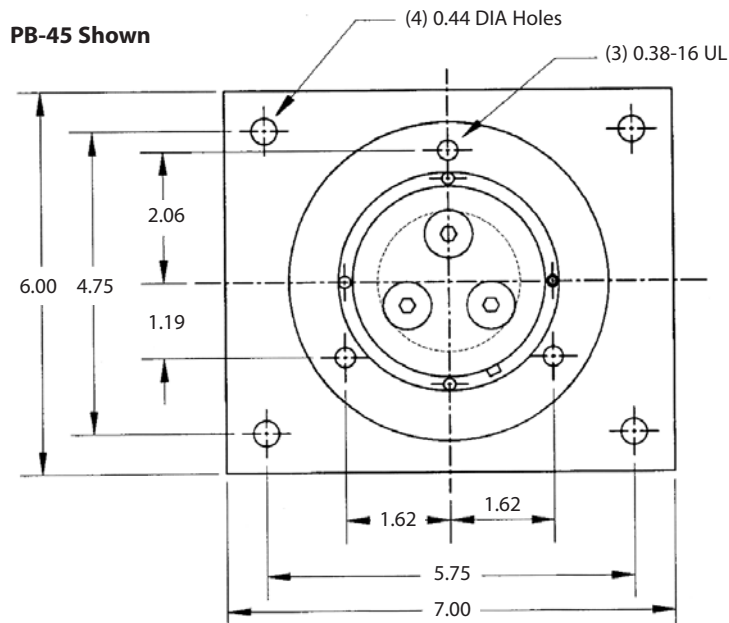


345° Pivot Base

- Use our pivot base to customize your reel mounting for your specific application
- All steel base
- Lifetime bearing (never needs lubrication)
- Swing can be restricted to 90°, 180°, and 270°
- Anodized clear finish



PB-45



Selection Guide

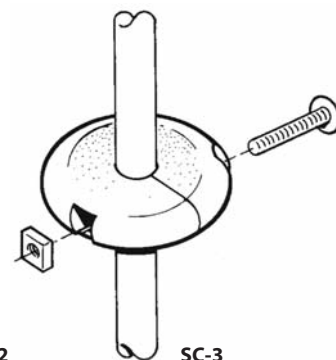
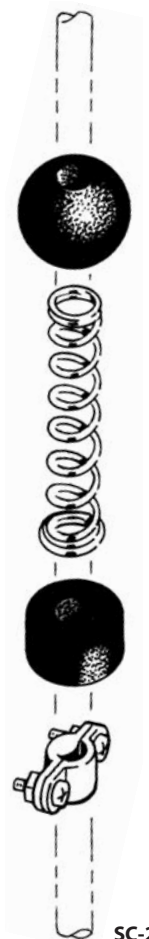
Catalog Number	Reels
PB-45	4000-5000
PB-67	6000-7000

Ball Stops

- Also referred to as "cable stops," "bumper stops," or "hose stops"
- Generally used for manually operated lift and drag applications to govern retraction length. Stops are required when accessories such as handlamps and receptacle boxes are installed on cable reels
- Suitable for all Ericson Cable reels

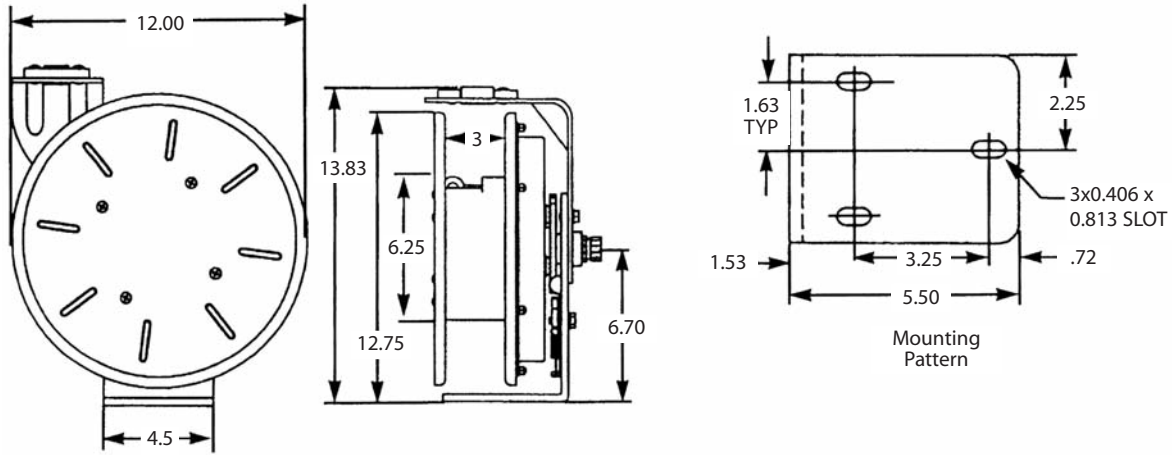
Selection Guide

Catalog Number	Description
SC-1	For cable O.D. ranges 0.188" to 0.438"
SC-2	For cable O.D. ranges 0.188" to 0.438" with shock absorbing spring bumper
SC-3	For cable ranges 0.438" to 0.624"
SC-4	For cable ranges 0.625" to 0.749"
SC-5	.75" to 1.05"
SC-6	1.06" to 1.38
SC-7	1.39 to 1.55

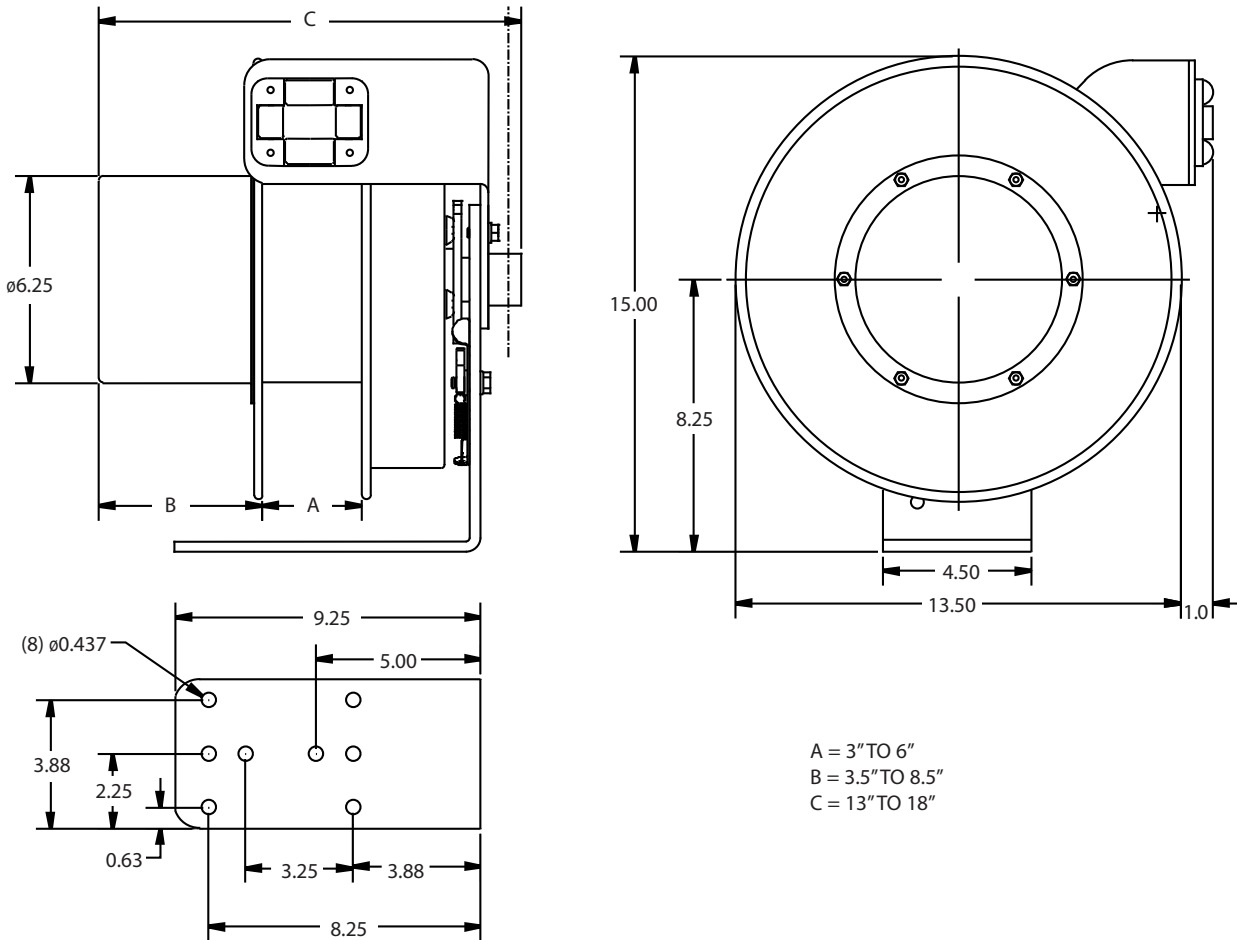


Dimensions

4000 Series

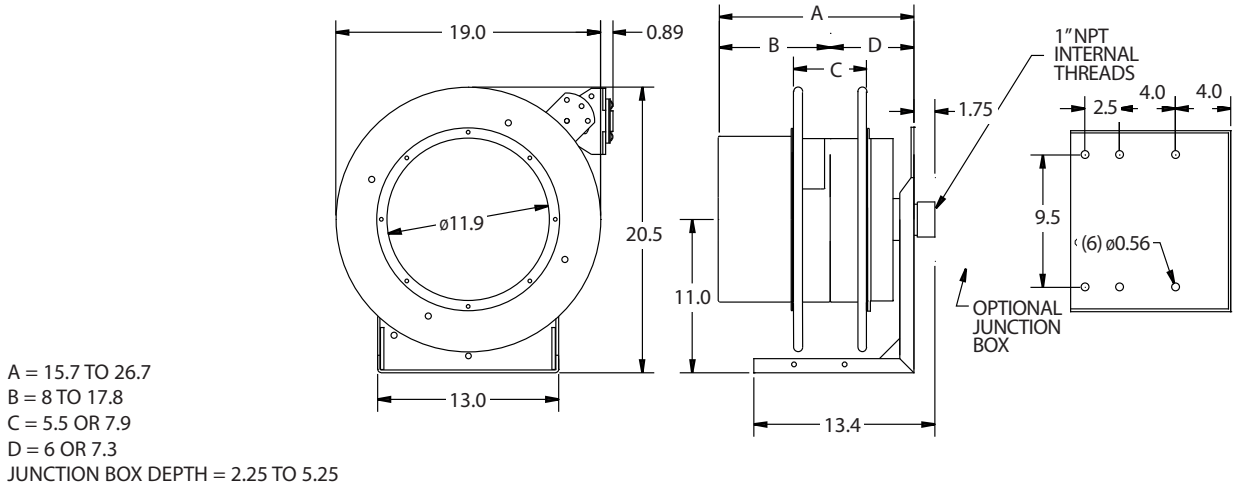


5000 Series



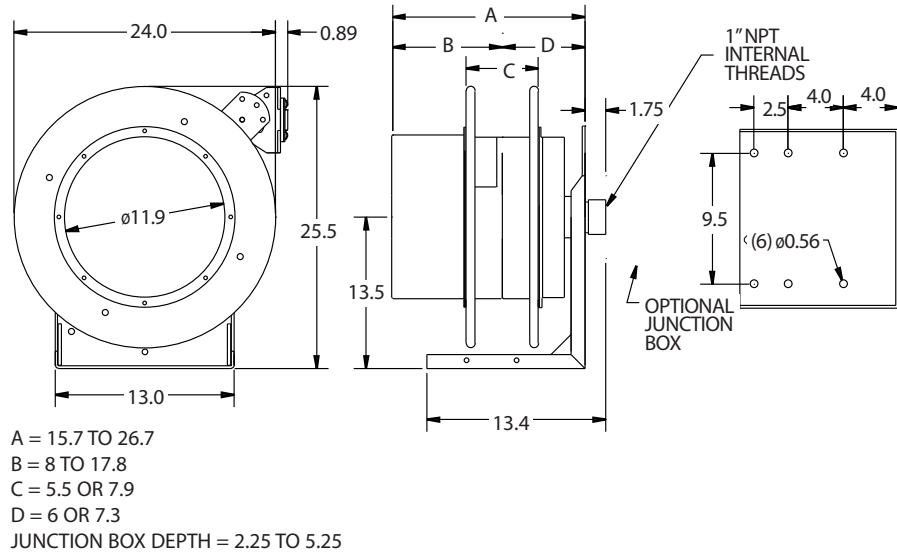
6000 Series

3 AND 4 CONDUCTOR REELS HAVE THE SMALLEST DIMENSIONS

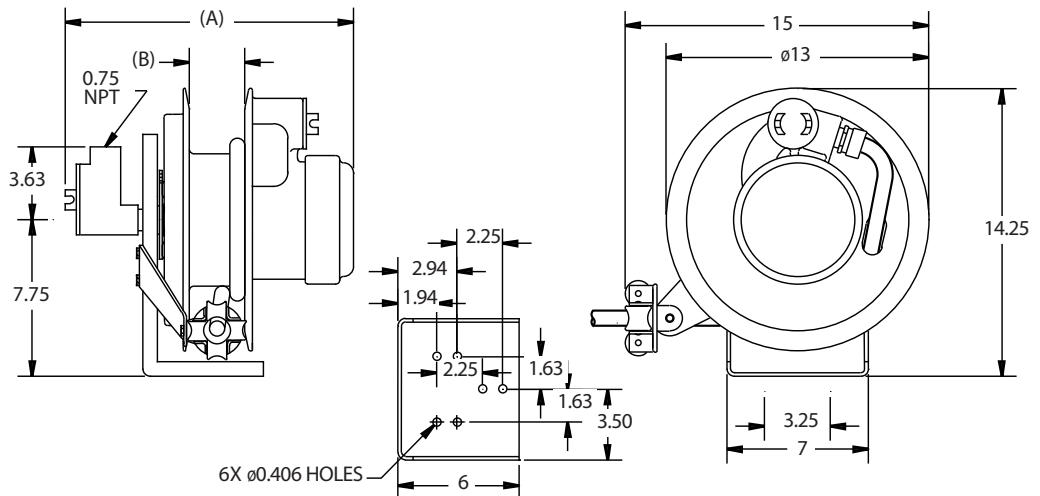


7000 Series

3 AND 4 CONDUCTOR REELS HAVE THE SMALLEST DIMENSIONS



8000 Series



MANY ERICSON PRODUCTS ARE LISTED OR CERTIFIED.
 FOR THE LATEST FULL SEARCHABLE LISTING BY PART NUMBER, GO TO: WWW.ERICSON.COM/AGENCY
 Note: Products shown on this page may not be listed.

