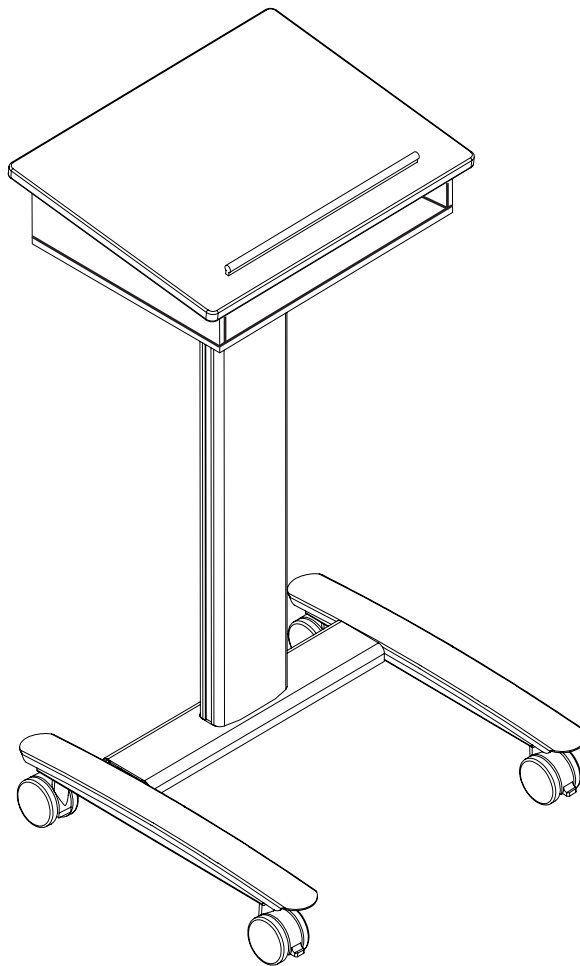




Lumina Podium

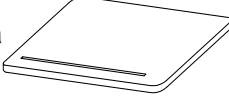
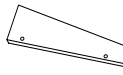



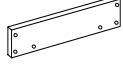

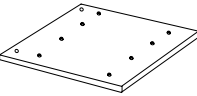

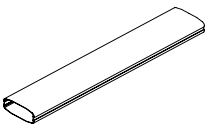

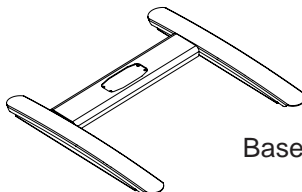

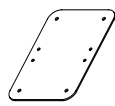



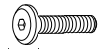






Touchboards

205 Westwood Ave, Long Branch, NJ 07740
Phone: 866-94 BOARDS (26273) / (732)-222-1511
Fax: (732)-222-7088 | E-mail: sales@touchboards.com

Assembly Instructions

Lumina Podium

Part	Drawing	Description	Qty	Part	Drawing	Description	Qty
P1-a		Top Panel	1 EA	Hardware List			
P1-b		Right Side Panel	1 EA	A		Screw M6X15mm	4 EA
P1-c		Left Side Panel	1 EA	B		Screw M6X48mm	4 EA
P1-d		Front Panel	1 EA	C		3" Locking Caster	2 EA
P1-e		Bottom Panel	1 EA	D		3" Non-Locking Caster	2 EA
P2		Post	1 EA	E		Allen Wrench	1 EA
P3		Base	1 EA	F		Caster Wrench	1 EA
P4		Top Connect Plate	1 EA	G		CS Screw M6X15mm	4 EA
P5		Book Stop	1 EA	H		Caster Lock Washer	4 EA
				J		1-1/2" Socket Screw	4 EA
				K		Campost	4 EA
				L		Wood Dowel	4 EA
				M		Cams	4 EA
				N		Book Stop Screws	2 EA

We recommend that you assemble this unit on a table.

Missing Parts or UPS Damaged Parts

For Your Convenience you can
EMAIL us at
furniture@baltinc.com
24HOURS 7 DAYS A WEEK

***Should you require assistance during assembly,
please call our Customer Service Department
Monday - Friday 8 a.m. - 5 p.m.
Central Standard Time 1-800-749-2258***

Do not use unless all screws are tight. At least every six months, check all screws to be sure they are tight. If parts are missing, broken, damaged, or worn, stop use of the product until repairs are made by your dealer using factory authorized parts.

Lumina Podium

Assembly Instructions

READ THROUGH INSTRUCTIONS FROM BEGINNING TO END BEFORE STARTING TO ASSEMBLE UNIT.

- 1.) Identify and Separate all the Parts and Hardware.
- 2.) Attach Base (P-3) to Post (P-2) using four Screws (B). Attach the Top Connect Plate (P-4) to the Post (P-2) using four CS Screws (G) as shown in Illustration # 1. Tighten all Screws using Allen Wrench (E).

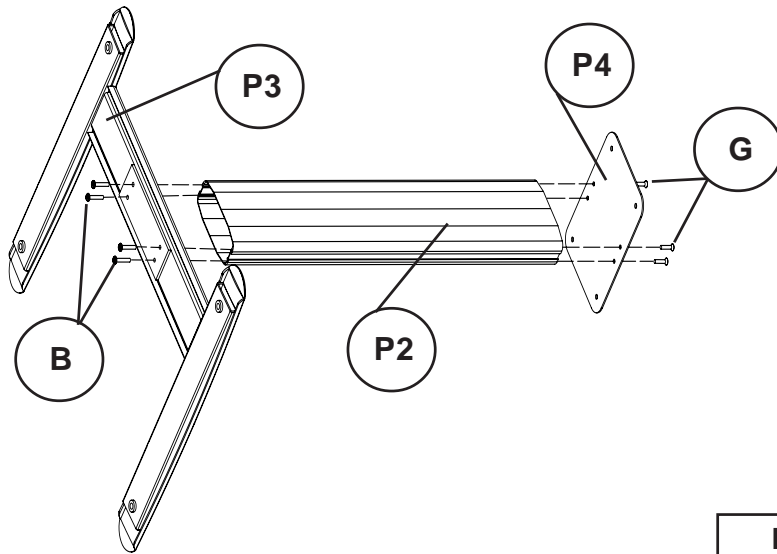


Illustration #1

- 3.) Install four Camposts (K) into the thread inserts in the bottom of Top Panel (P1-a) as shown in Illustration #2.

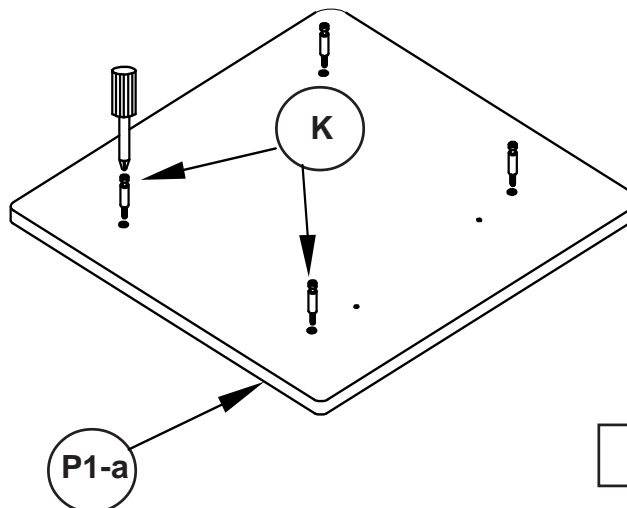
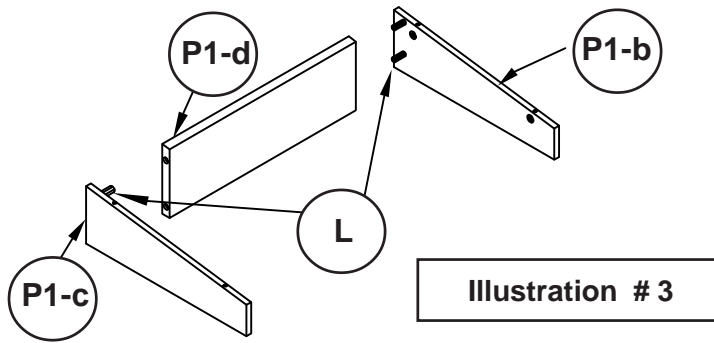
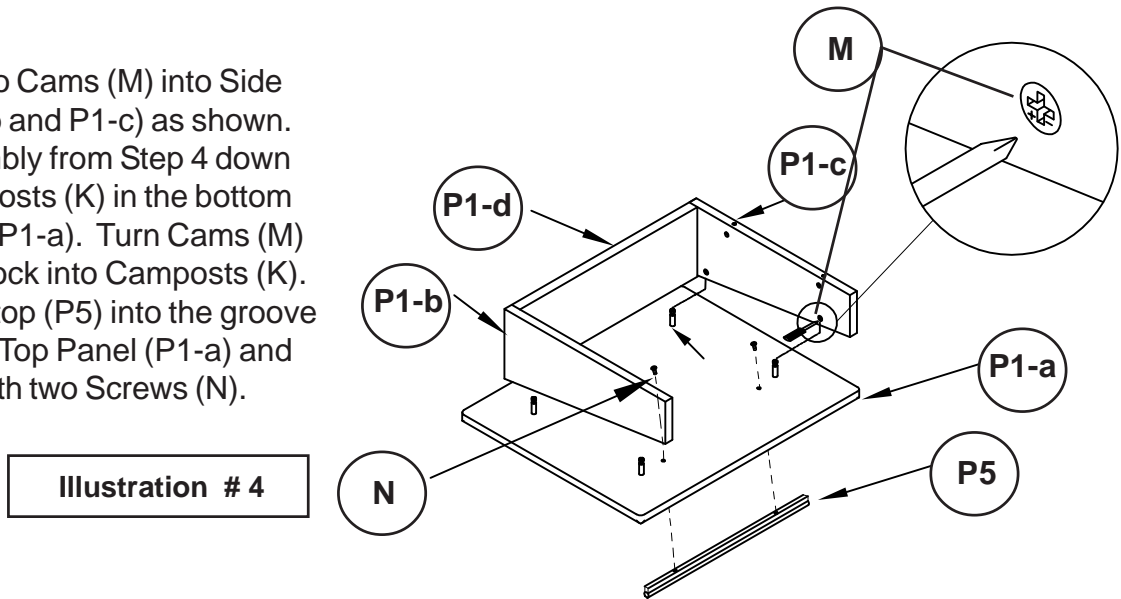


Illustration #2

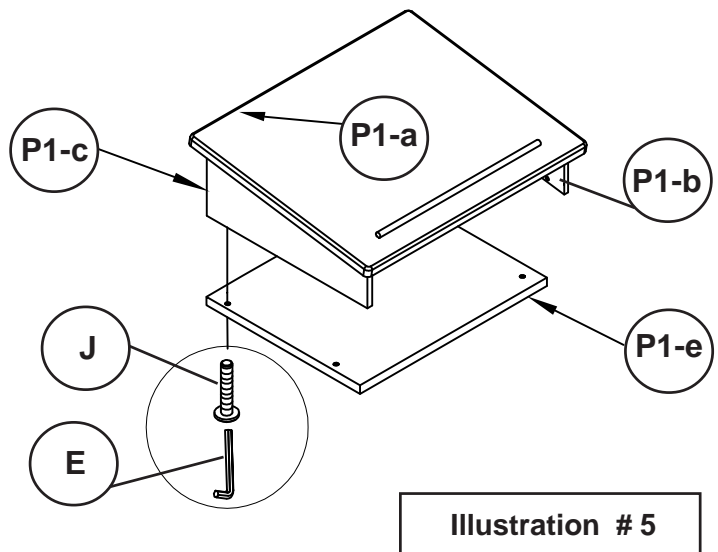


4.) Insert two Wood Dowels (L) into the Right Side Panel (P1-b) and two Wood Dowels (L) into the Left Side Panel (P1-c). Assemble Right Side Panel (P1-b) into Front Panel (P1-d) and then assemble Left Side Panel (P1-c) into Front Panel (P1-d) as shown in Illustration # 3.

5.) Insert two Cams (M) into Side Panels (P1-b and P1-c) as shown. Place assembly from Step 4 down on the Camposts (K) in the bottom of Top Panel (P1-a). Turn Cams (M) clockwise to lock into Camposts (K). Attach Book Stop (P5) into the groove on the top of Top Panel (P1-a) and secure with two Screws (N).

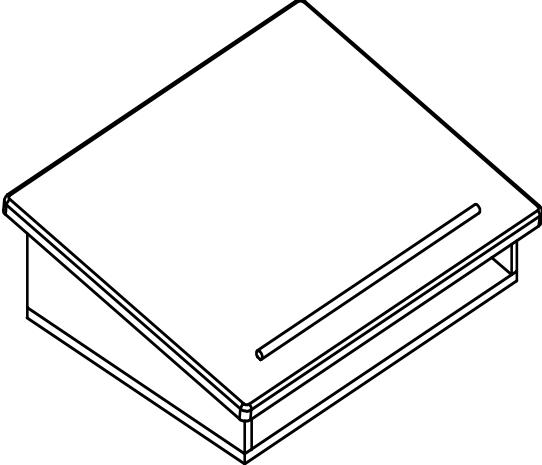


6.) Attach Bottom Panel (P1-e) to the assembly from Step 5 using four Screws (J) and tighten with Allen Wrench (E) as shown in Illustration # 5.



7.) The Top Platform assembly in Powder Coated Gray or Cherry Laminate, depending on what you ordered, may have the Book Stop already installed.

Illustration # 6



8.) Attach the Top Platform Assembly to the Top Connect Plate (P-4) using four Screws (A) as shown in Illustration # 7. Tighten Screws (A) using Allen Wrench (E).

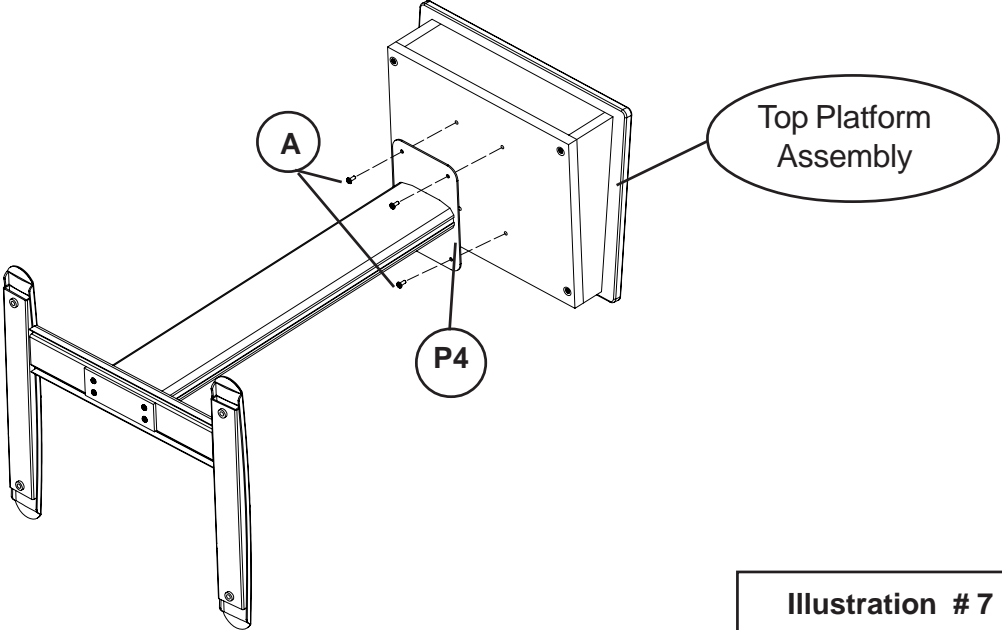
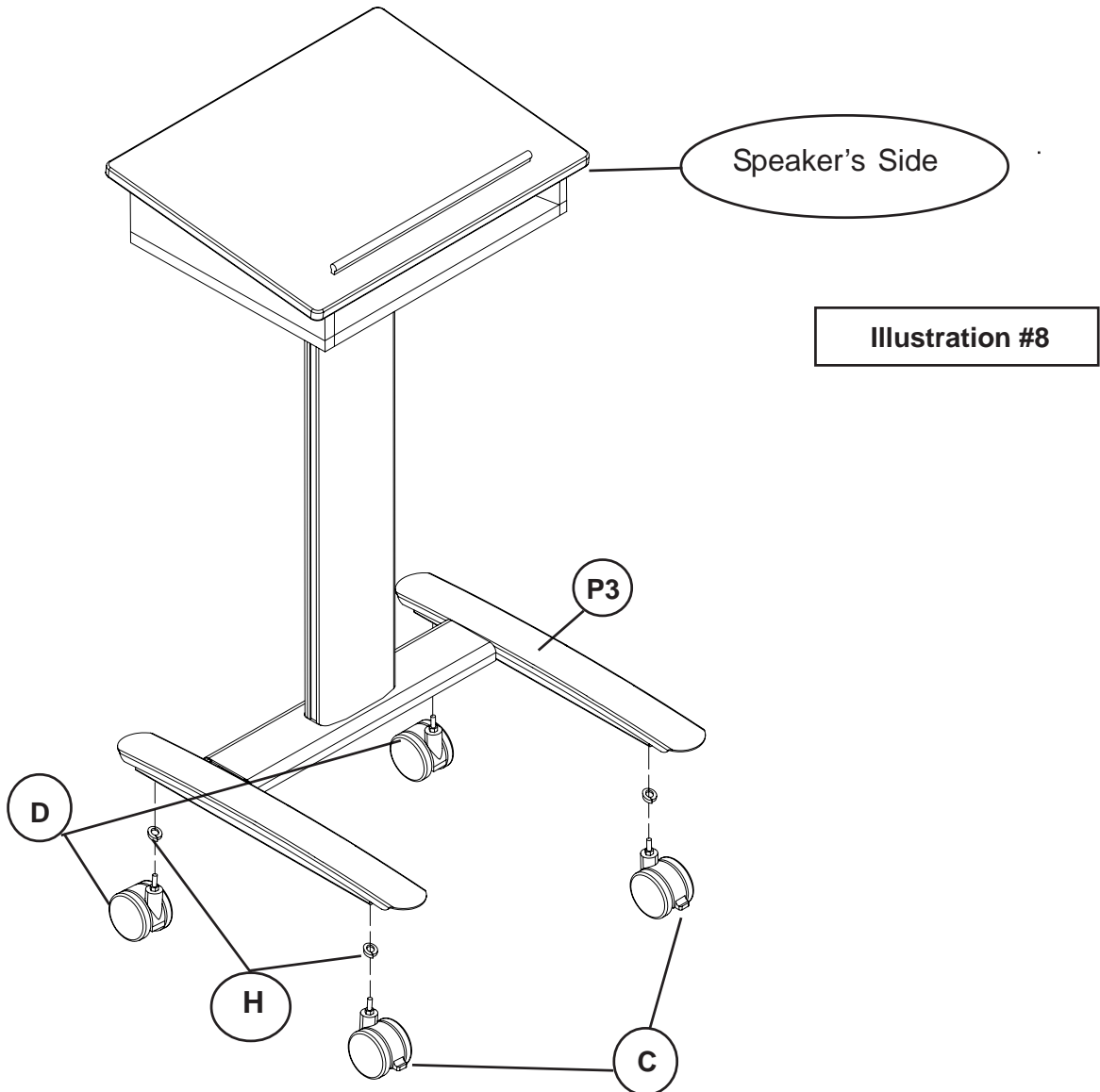


Illustration # 7

#27562 Lumina Podium

- 9.) Place one Caster Lock Washer (H) on each Caster's threaded stem before attaching. Screw in two Locking Casters (C) into the Speaker's side Base (P-3). Screw in two Non-locking Casters (D) into the two rear holes on Base (P-3) as shown in Illustration # 8. Tighten casters using Caster Wrench (F).



Touchboards

205 Westwood Ave, Long Branch, NJ 07740
Phone: 866-94 BOARDS (26273) / (732)-222-1511
Fax: (732)-222-7088 | E-mail: sales@touchboards.com

27562_06-23-10