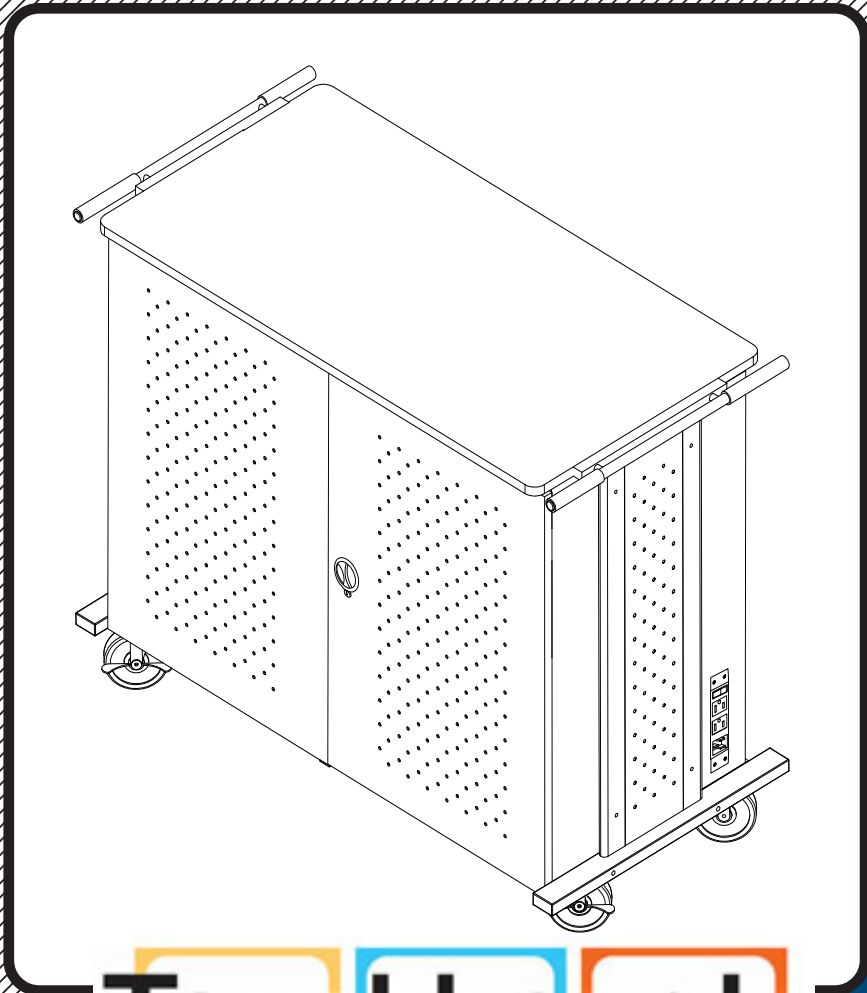




Odyssey High Capacity Charging Cart

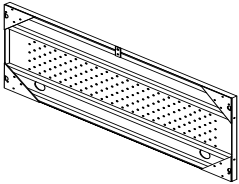
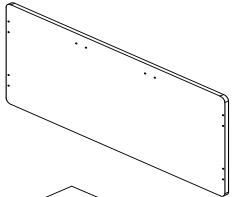

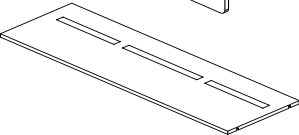
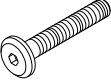
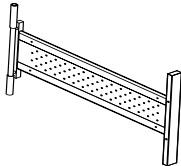
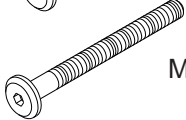
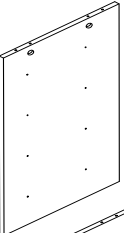

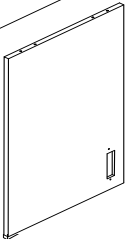

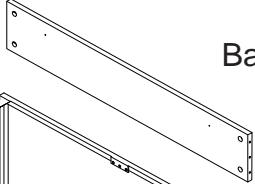

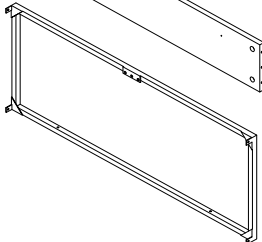

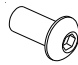


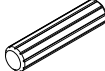
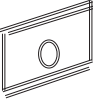


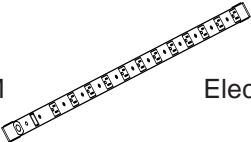


Touchboards

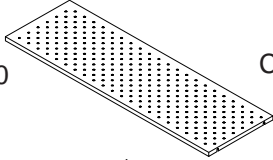

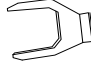

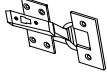





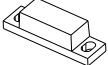
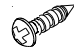
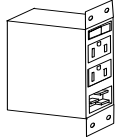
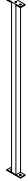
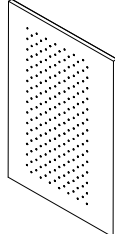
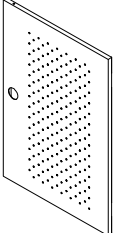

205 Westwood Ave, Long Branch, NJ 07740
Phone: 866-94 BOARDS (26273) / (732)-222-1511
Fax: (732)-222-7088 | E-mail: sales@touchboards.com

Assembly Instructions

Odyssey High Capacity Charging Cart

Part	Drawing	Description	Qty	Part	Drawing	Description	Qty	
P1		Metal Base	1 EA	Hardware List				
P2		Top Panel	1 EA	A		M6X15mm Socket Screw	40 EA	
P3		Shelf	2 EA	A1		M6X45 mm Socket Screw	8 EA	
P4		Side Handle	2 EA	A2		M6X65 mm Socket Screw	4 EA	
P5		Left Side Panel	1 EA	B		Grommet Metal Base	2 EA	
P6		Right Side Panel	1 EA	C		4" Locking Plate Caster	2 EA	
P7		Back Panel	2 EA	D		4" Caster	2 EA	
P8		Back Frame	1 EA	F		Allen Wrench	1 EA	
				G		Tapped Rivet	8 EA	
				H		Cam	12 EA	
				I		Cam Posts	12 EA	
				J		Wood Dowel	8 EA	
				K		Electrical Mount	8 EA	
				L1		Electrical Mount Screw M5*7mm	4 EA	
				L2		Electrical Mount Screw M5*17mm	4 EA	
				M		Electrical Outlet	4 EA	

Odyssey Laptop Charging Cart

Part	Drawing	Description	Qty	Part	Drawing	Description	Qty
P10		Center Back Panel	1 EA	Hardware List P  Back Lock 1 EA Q  Lock Clip 1 EA R  Tablet Divider 54 EA S  Door Hinge 4 EA T  Hinge Screw-CS Wood 8 EA T1  Timer Mount Screw #4 X 12mm 4 EA U  Hinge Screw-Door 8 EA V  Divider Connector 54 EA W  Key Sets 2 EA X  Magnet 1 EA Y  Phillips Magnet Screws #4 X 20mm 2 EA Z  Electrical Timer 1 EA			
P11		Vertical Support	2 EA				
P12		Left Door	1 EA				
P13		Right Door	1 EA				
P14		Vertical Hanging Bar	2 EA				

Important

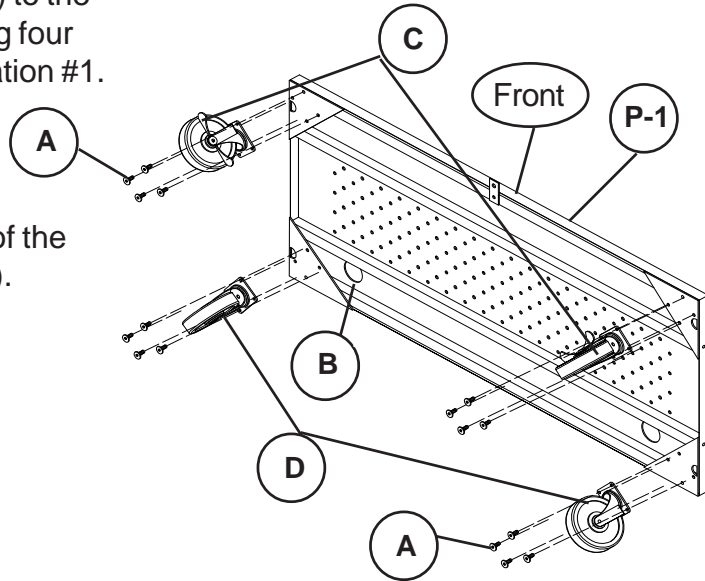
The Balt product you have purchased is guaranteed against material and workmanship defects. This guarantee extends 1 year from date of purchase. Should this product fail to function satisfactorily under normal use due to defect or imperfection, the defective part or product will be replaced. Damage caused by common carriers during shipment is not included in this guarantee.

This guarantee sets forth all applicable guarantees and remedies. No other warranty, expressed or implied shall apply. Failure to follow instructions found in Important Information Section of Owner Sheet shall void the guarantee. Consequential or incidental damages and or costs are not refundable.

READ THROUGH INSTRUCTIONS FROM BEGINNING TO END BEFORE STARTING TO ASSEMBLE UNIT.

- 1.) Identify and Separate all the Parts and Hardware.
- 2.) Attach two Locking Casters (C) to the bottom front and two Non-Locking Casters (D) to the bottom rear of Metal Base (P-1) using four Screws (A) for each caster. See Illustration #1.

Illustration # 1



- 2a.) Place a Grommet- Base (B) in each of the two large holes in the Metal Base (P1).

- 3.) Attach one of the Side Handles (P-4) to the left side of Metal Base (P-1) using two Screws (A2) as shown in Illustration #2.

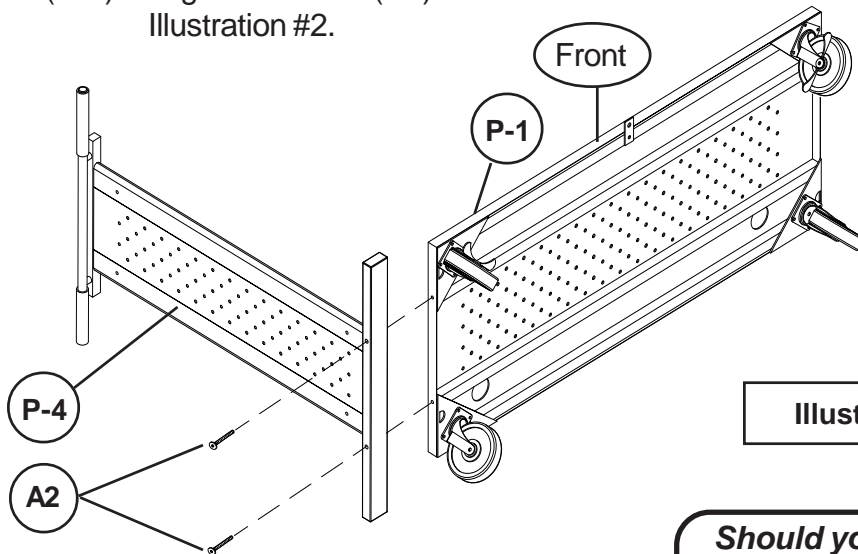


Illustration # 2

Should you require assistance during assembly, please call our Customer Service Department Monday - Friday 8 a.m. - 5 p.m. Central Standard Time 1-800-749-2258

4.) Attach the Left Side Panel (P5) to the Side Handle (P4) using four Screws (A1) and four Tapped Rivets (G) as shown in Illustration # 3.

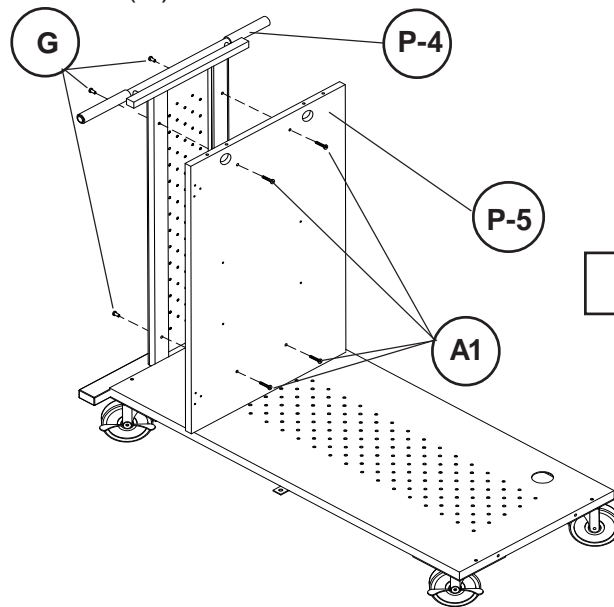


Illustration # 3

5.) Secure the Left Side Panel (P5) to the Metal Base (P1) using two Screws (A) as shown in Illustration # 4.

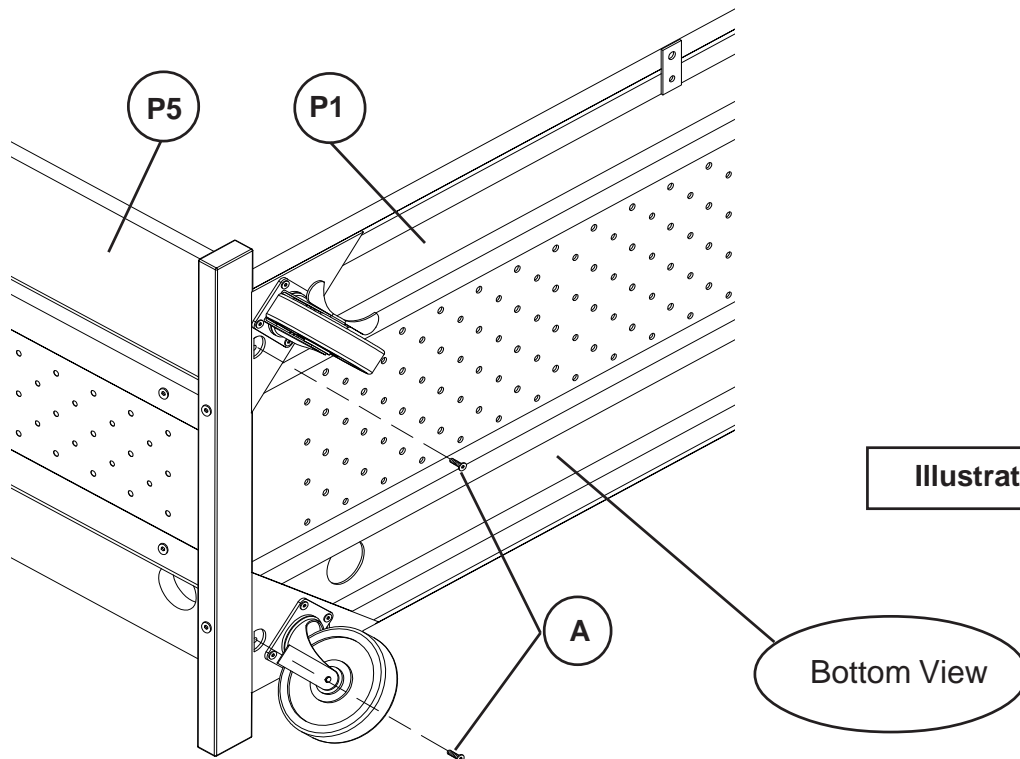


Illustration # 4

6.) Screw in two Cam Posts (I) into the embedded plastic inserts in the Left Side Panel (P5) as shown in Illustration # 5. Install two Cams (H) into the large holes in the Back Panel (P7). Install a Wood Dowel (J) in the center hole on the edge of the Back Panel (P7). With the Cam's (H) arrows pointed at the Cam Posts (I), slide the Back Panel (P7) into place and turn the Cams clockwise a quarter turn to the lock position.

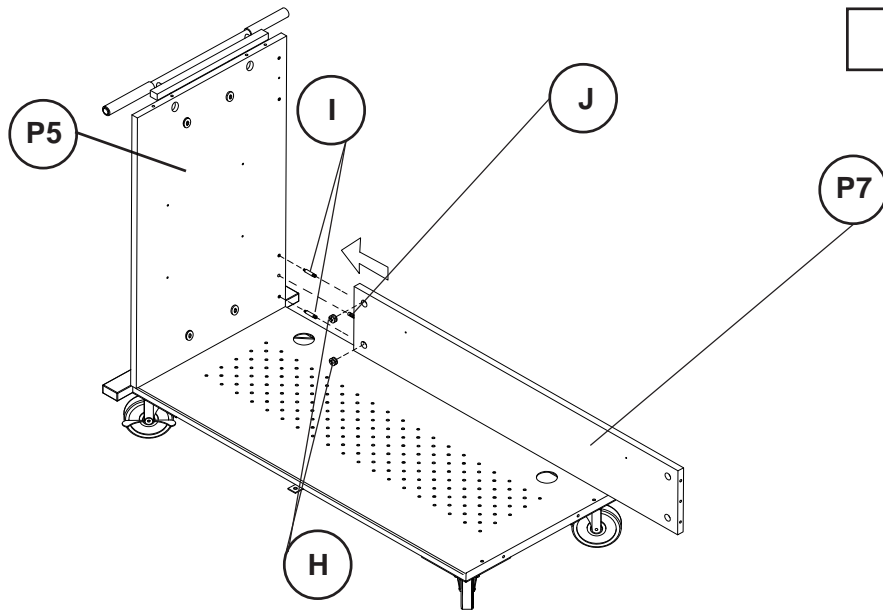


Illustration # 5

7.) Center the Back Frame (P8) over the two embedded threaded metal inserts in the Left Side Panel (P5) and secure with two Screws (A) as shown in Illustration # 6.

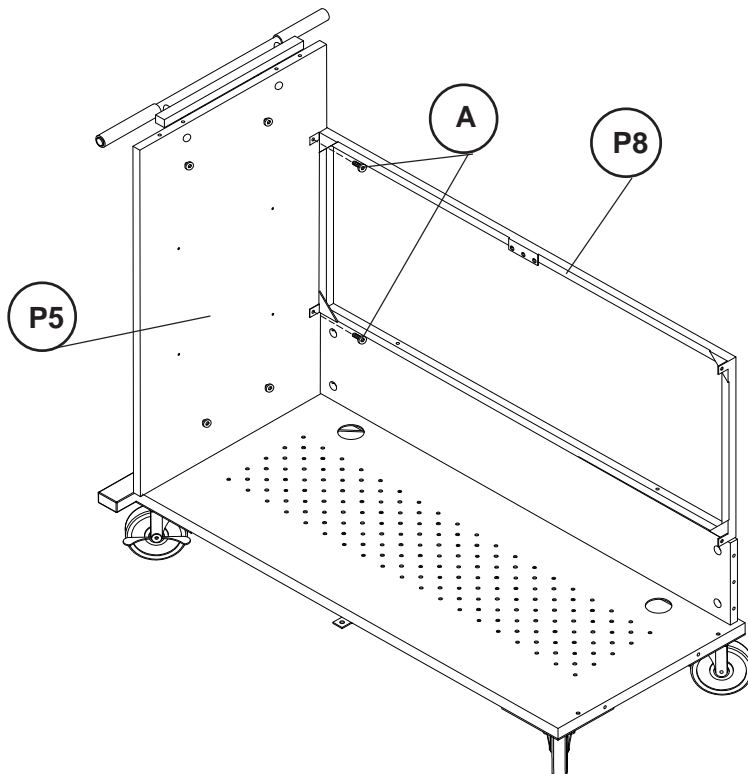
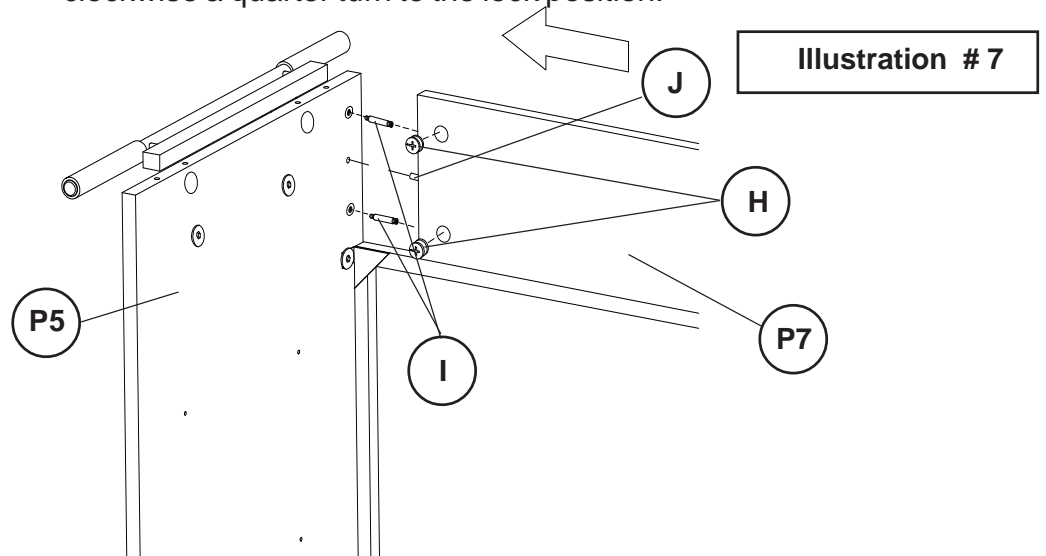
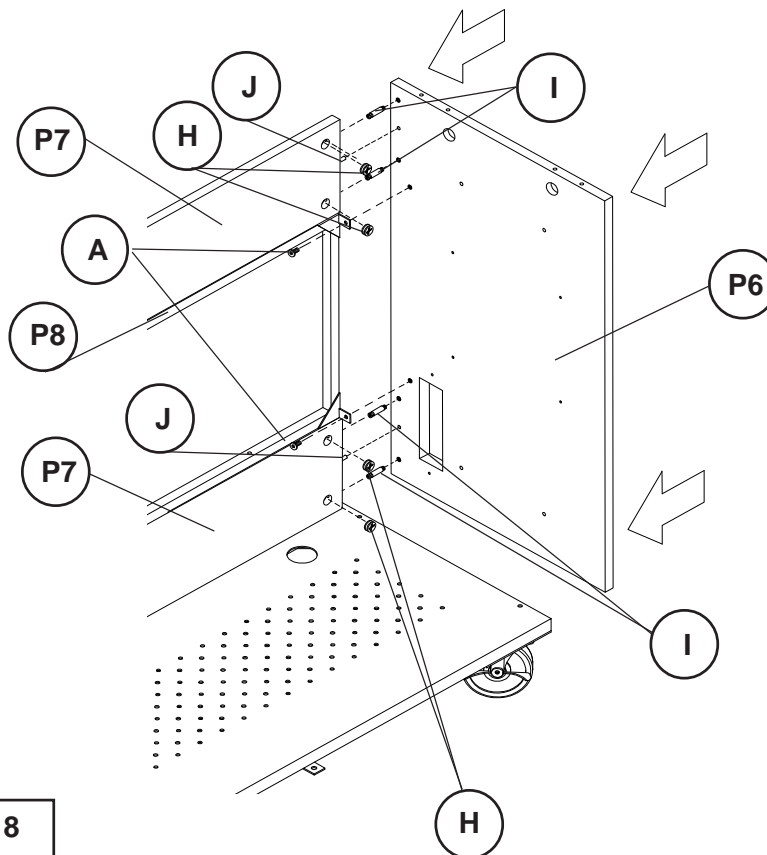


Illustration # 6

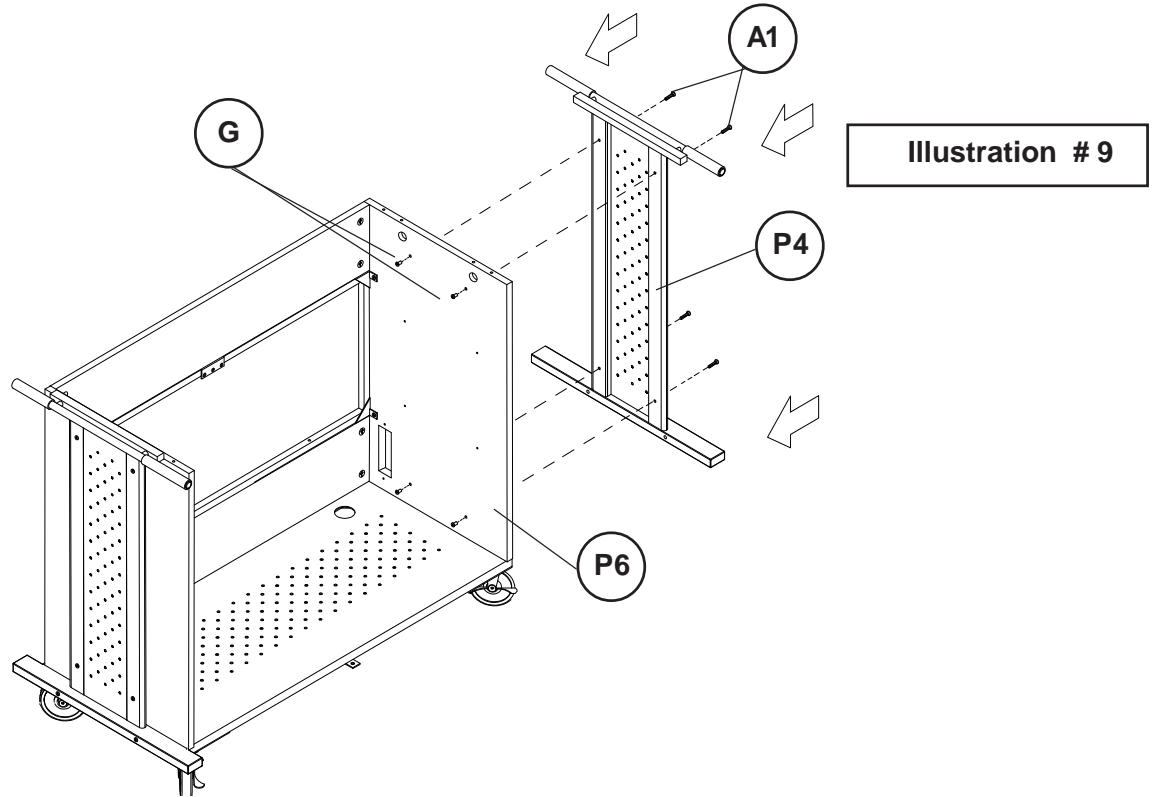
- 8.) Screw in two Cam Posts (I) into the embedded plastic inserts in the Left Side Panel (P5) as shown in Illustration # 5. Install two Cams (H) into the large holes in the Back Panel (P7). Install a Wood Dowel (J) in the center hole on the edge of the Back Panel (P7). With the Cam's (H) arrows pointed at the Cam Posts (I), slide the Back Panel (P7) into place and turn the Cams clockwise a quarter turn to the lock position.



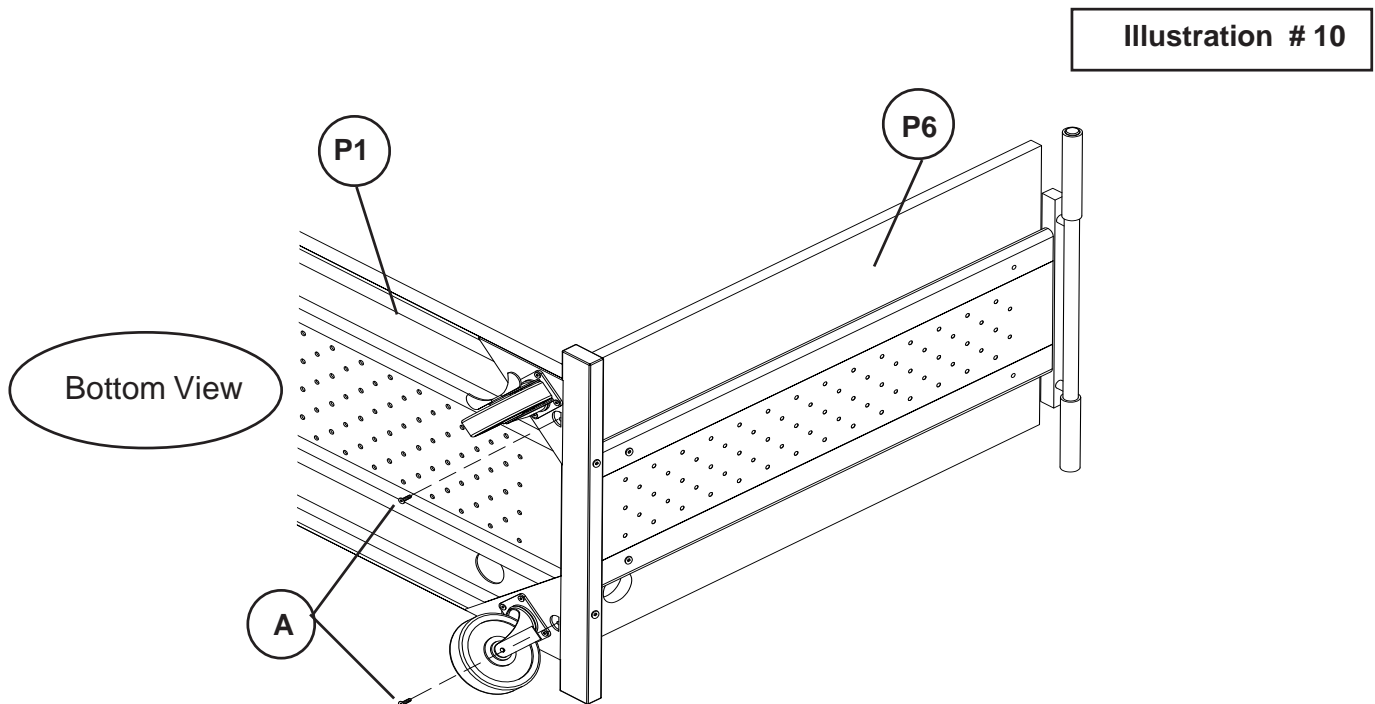
- 9.) Place two Cams (H) in the Back Panel (P7) and two Cams (H) in the Back Panel (P7) making sure the arrows on the Cams (H) are pointed to the right as shown in Illustration # 8. Push in one Wood Dowel (J) into the edge of the Back Panel (P7) and one Wood Dowel (J) into the edge of the Back Panel (P7). Screw in four Cam Posts (I) into the the Right Side Panel (P6). Move the Right Side Panel (P6) in to connect. Turn the Cams (H) a quarter turn to lock. Secure the Back Frame (P8) to the Right Side Panel (P6) using two Screws (A).



10.) Attach the Right Side Panel (P6) to the Side Handle (P4) using four Screws (A1) and four Tapped Rivets (G) as shown in Illustration # 9.



11.) Secure the Right Side Panel (P6) to the Metal Base (P1) using two Screws (A) as shown in Illustration # 10.



- 12.) Insert two Cams (H) into the top of the Left Side Panel (P5) making sure the arrow on the Cams (H) are pointed up. Press in two Wood Dowels (J) into the top edge of the Left Side Panel (P5). Screw in two Cam Posts (I) into the bottom left of the Top Panel (P2) as shown in Illustration # 11. Repeat these same Steps to install Cams(H), Wood Dowels (J) and Cam Posts (I) into the Right Side Panel (P6) and under the right bottom of the Top Panel (P2). Lower the Top Panel (P2) down onto the assembly and turn the Cams a quarter turn to lock into place.

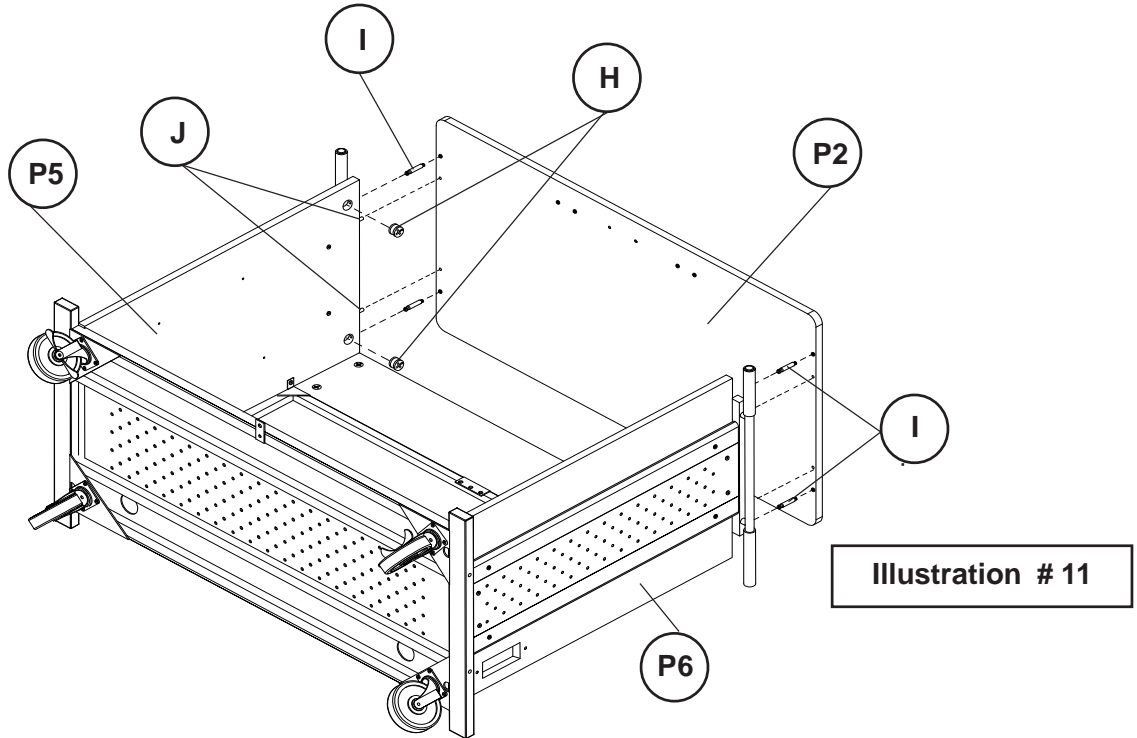


Illustration # 11

- 13.) Place the Back Lock (P) into the Center Back Panel (P10) from the outside and in. Use the Lock Clip (Q) on the back side of the Back Lock (P) to secure it in place. Place the bottom pegs on the Center Back Panel (P10) into the two holes in the bottom of the Back Frame (P8) and lock the Back Lock (P) to keep the Center Back Panel (P10) in place. See Illustration # 12.

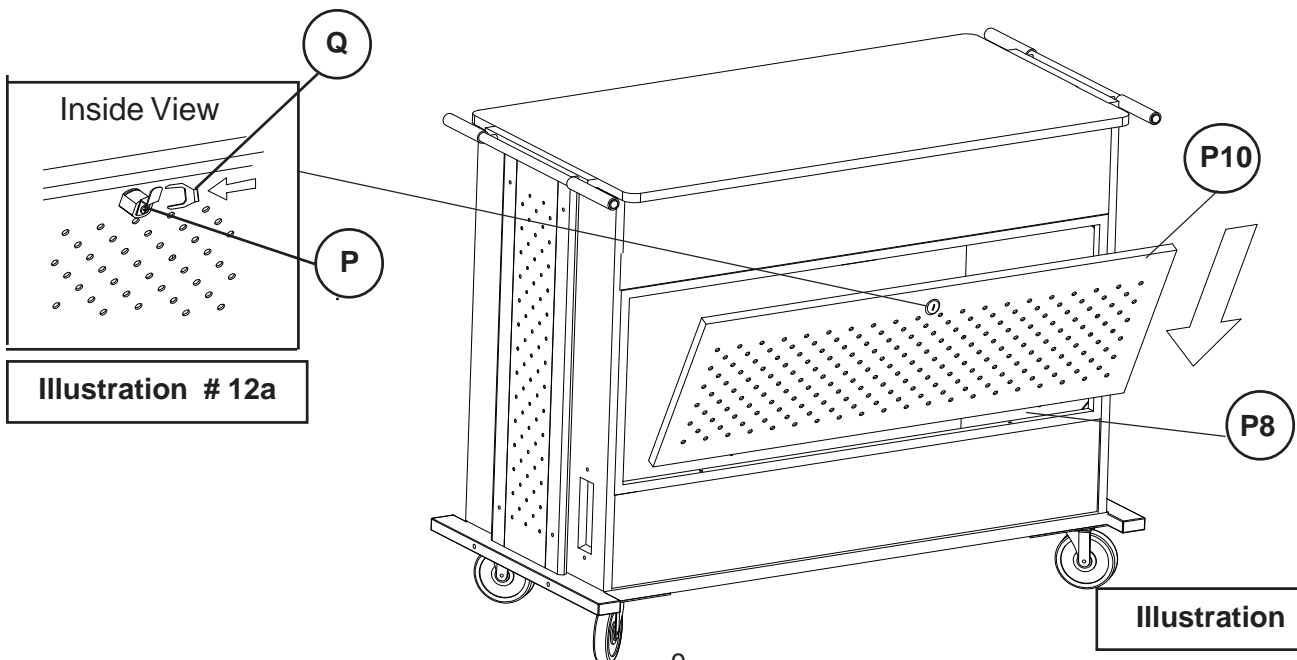


Illustration # 12a

Illustration # 12

- 14.) Install the top Shelf (P3) in between the Left Side Panel (P5) and Right Side Panel (P6) using four Screws (A) into the threaded inserts in the side panels. Repeat this Step to install the bottom Shelf as shown in illustration #13.

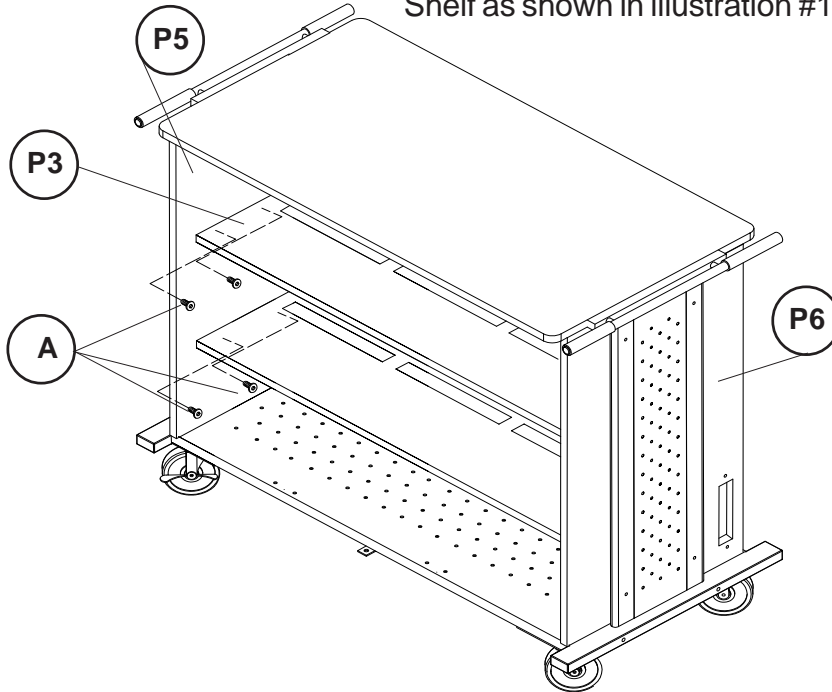


Illustration # 13

- 15.) Attach the two Vertical Supports (P11) to the Top Panel (P2) and to the Metal Base (P1) using Screws (A) into the threaded holes as shown in Illustration #14.

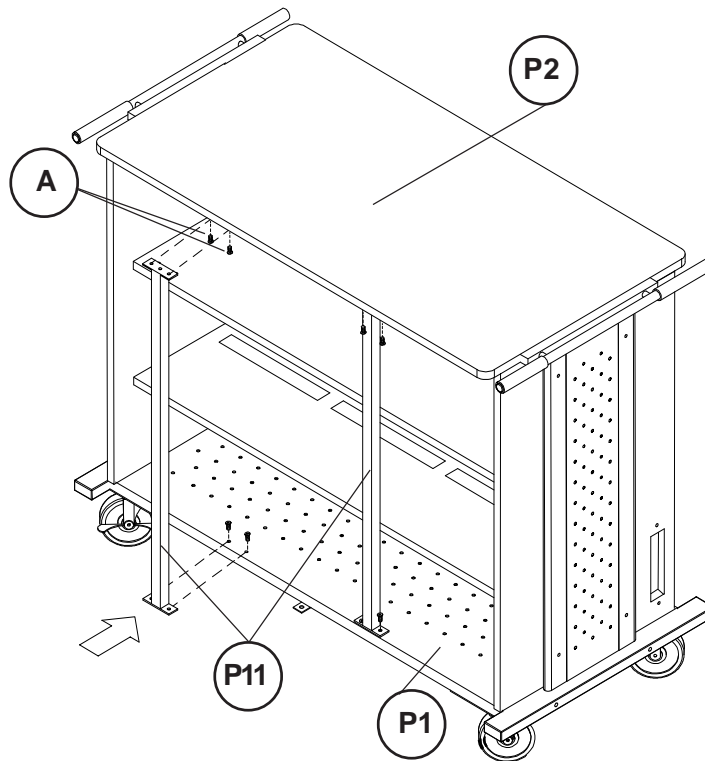


Illustration # 14

- 16.) Attach two Door Hinges (S) to the Left Side Panel (P5) using four Hinge Screws -Wood (T) into the prdrilled locate holes for each hinge. Attach the Left Door (P12) to the Door Hinges (S) using two Hinge Screws-Metal (U) as shown in Illustration #15.

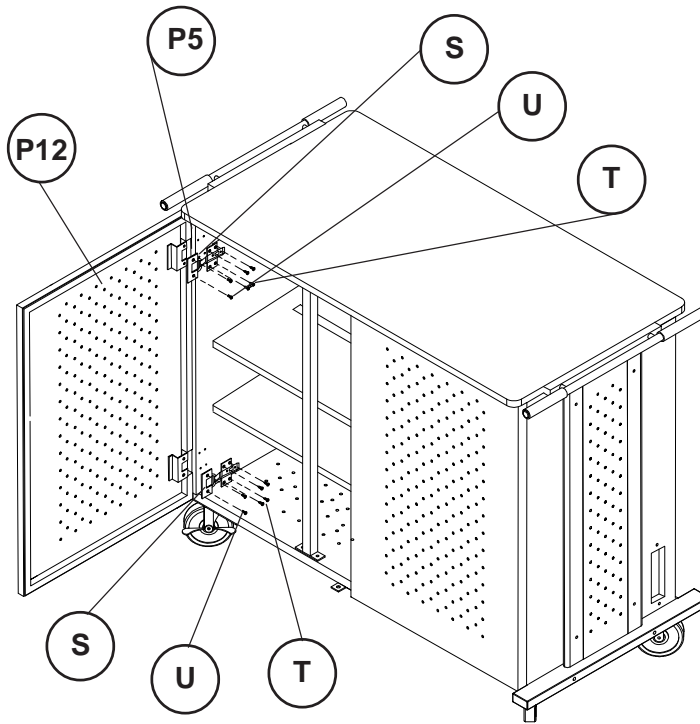


Illustration # 15

- 17.) Repeat Step 18 to install the Right Door (P13) to the Right Side Panel (P6) as shown in Illustration # 16.

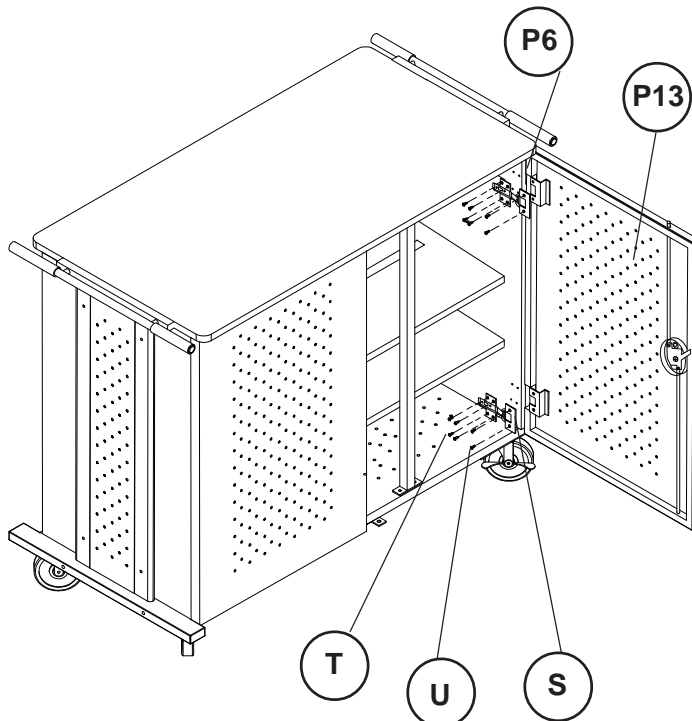


Illustration # 16

- 18.) Attach the two Vertical Hanging Bars (P14) to the back of the two Shelves (P3) using one Electrical Mount Screw (L2) through an Electrical Mount (K) and into the threaded hole in the back flanges of the top and bottom shelves. Attach two more Electrical Mounts (K) using Electrical Mount Screws (L1) between the top and bottom Electrical Mounts on each Vertical Hanging Bar as shown in illustration #17.

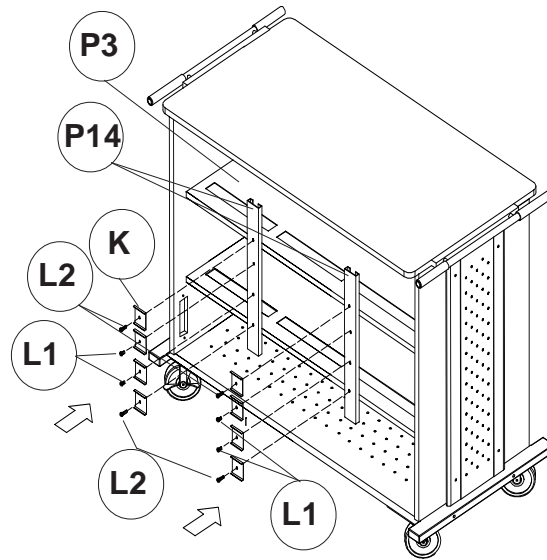


Illustration # 17

- 19.) Snap in four Electrical Outlet strips (M) into the Electrical Mount clips (K) as shown in illustration #18

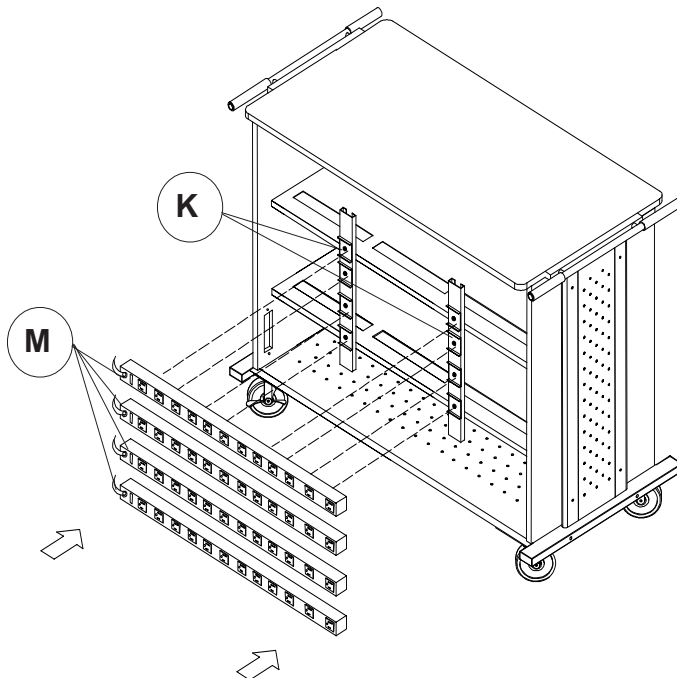


Illustration # 18

- 20.) Install nine Tablet Dividers (R) into each of the three slots in each Shelf (P3). Secure each Tablet Divider (R) to the Shelf from underneath by snapping on a Divider Connector (V). See illustration #19.

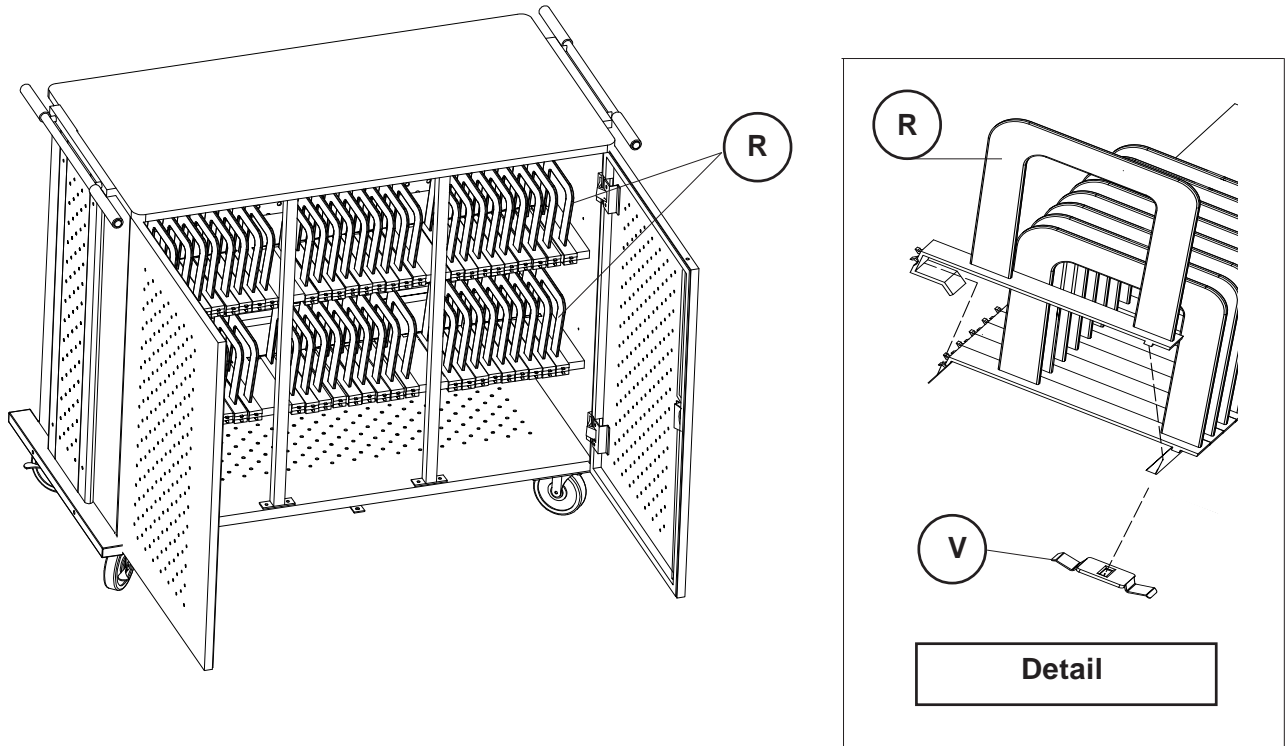


Illustration # 19

- 21.) Install Magnet (X) under the Top Panel (P2) in the front center so it catches and holds the Left Door (P12) when it is closed. Use two Magnet Screws (Y) to secure. See illustration #20.

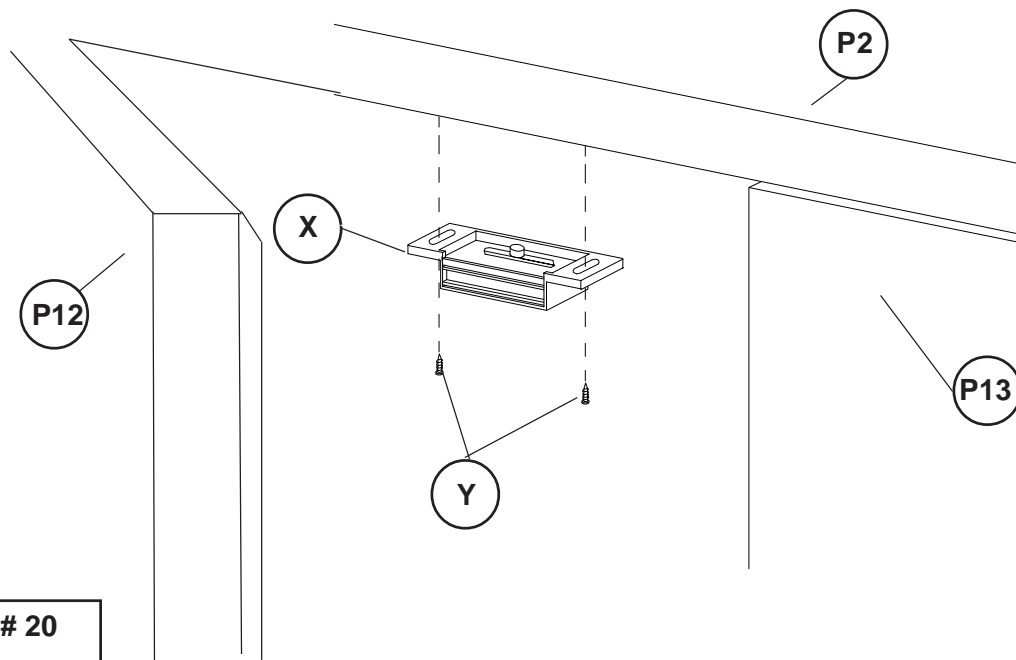


Illustration # 20

22.) Install the Electrical Timer (Z) in the cut out at the bottom of the Right Side Panel (P6).
Secure in place using four Timer Mount Screws (T1) as shown in illustration #21.

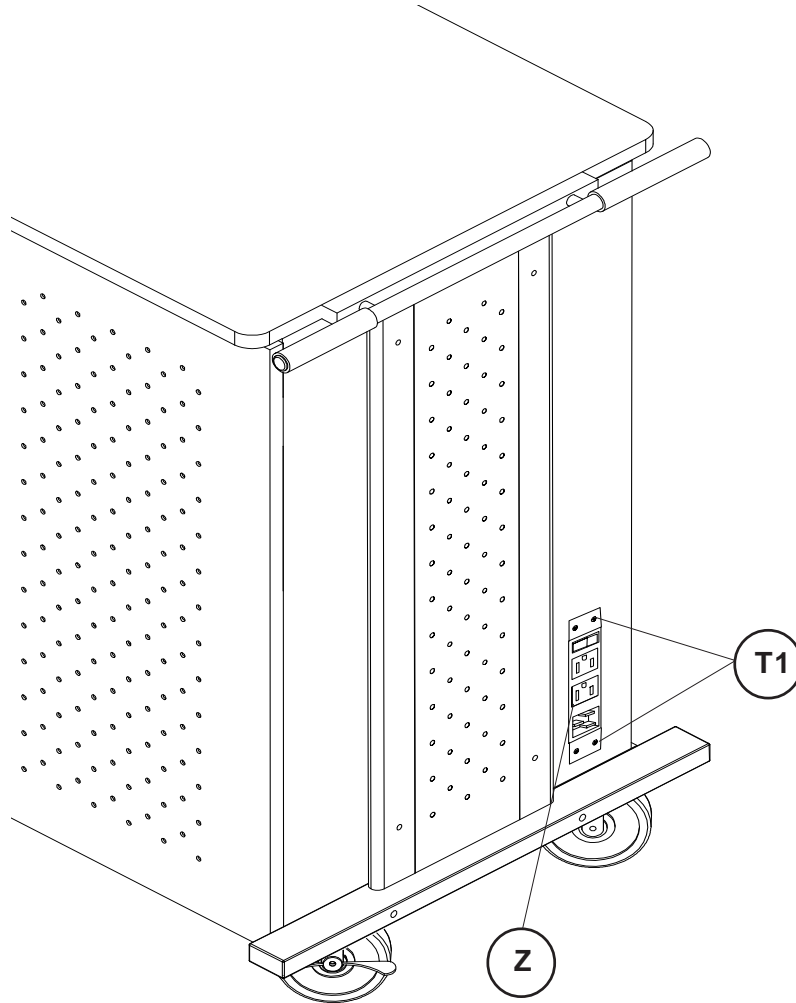
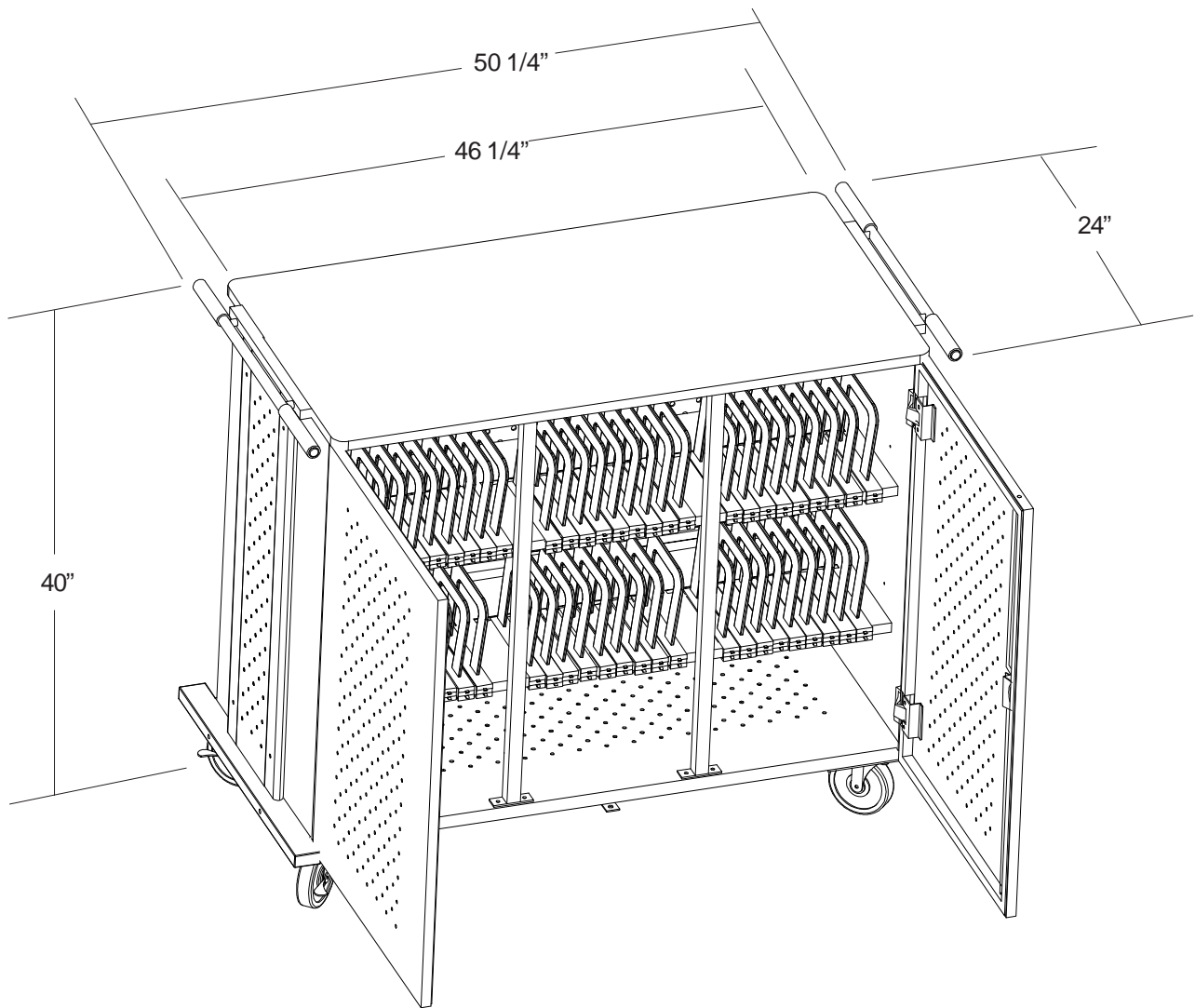


Illustration # 21

Odyssey High Capacity Charging Cart



205 Westwood Ave, Long Branch, NJ 07740
 Phone: 866-94 BOARDS (26273) / (732)-222-1511
 Fax: (732)-222-7088 | E-mail: sales@touchboards.com

