

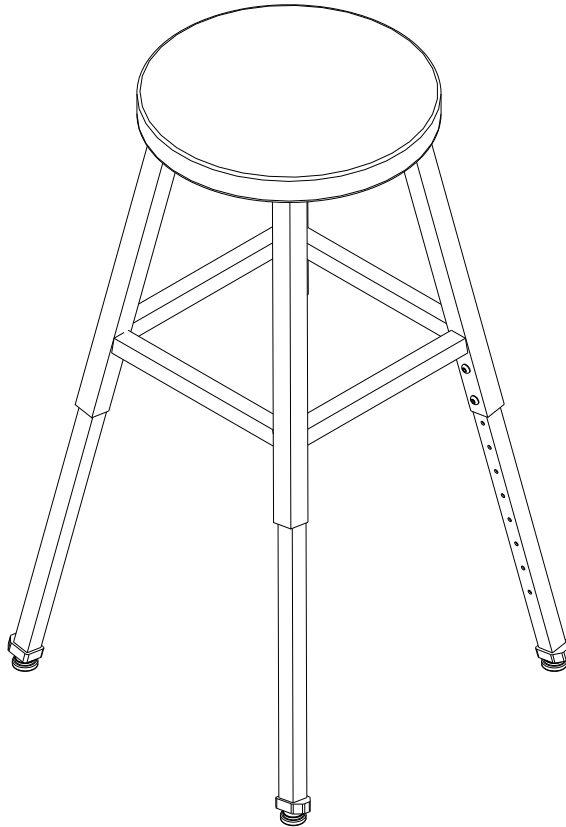


#34419 Adjustable Height Stool

Gray Frame w/Natural Wood Finish

Touchboards

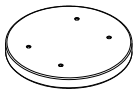
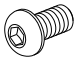
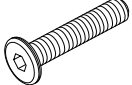
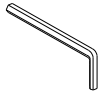
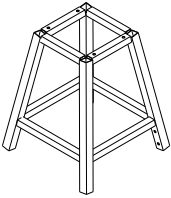
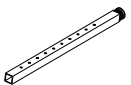
205 Westwood Ave, Long Branch, NJ 07740
Phone: 866-94 BOARDS (26273) / (732)-222-1511
Fax: (732)-222-7088 | E-mail: sales@touchboards.com



Assembly Instructions

#34419

Adjustable Height Stool

Part	Drawing	Description	Qty	Part	Drawing	Description	Qty
P1		Seat	1 EA	<p style="text-align: center;">Hardware List</p> <p>A  Socket Screw M6X8mm 8 EA</p> <p>A1  Socket Hd Screw M6X35mm 4 EA</p> <p>B  Allen Wrench 1 EA</p>			
P2		Upper Leg Frame	1 EA				
P3		Lower Leg Insert	4 EA				

We recommend that you assemble this unit on a table.

Should you require assistance during assembly, please call our Customer Service Department Monday - Friday 8 a.m. - 5 p.m. Central Standard Time 1-800-749-2258

Important

The Balt product you have purchased is guaranteed against material and workmanship defects. This guarantee extends 1 year from date of purchase. Should this product fail to function satisfactorily under normal use due to defect or imperfection, the defective part or product will be replaced. Damage caused by common carriers during shipment is not included in this guarantee.

This guarantee sets forth all applicable guarantees and remedies. No other warranty, expressed or implied shall apply. Failure to follow instructions found in Important Information Section of Owner Sheet shall void the guarantee. Consequential or incidental damages and or costs are not refundable.

Do not use unless all screws are tight. At least every six months, check all screws to be sure they are tight. If parts are missing, broken, damaged, or worn, stop use of the product until repairs are made by your dealer using factory authorized parts.

#34419 Adjustable Ht Stool Assembly Diagram



**READ THROUGH INSTRUCTIONS FROM BEGINNING TO
END BEFORE STARTING TO ASSEMBLE UNIT.**

- 1.) Identify and Separate all the Parts and Hardware.
- 2.) Place the Wood Seat (P-1) with the insert nuts facing up. Attach Upper Leg Frame (P-2) to the Wood Seat (P-1) using 4 Screws (A1) as shown in illustration #1.
(Finger tighten only)

Illustration # 1

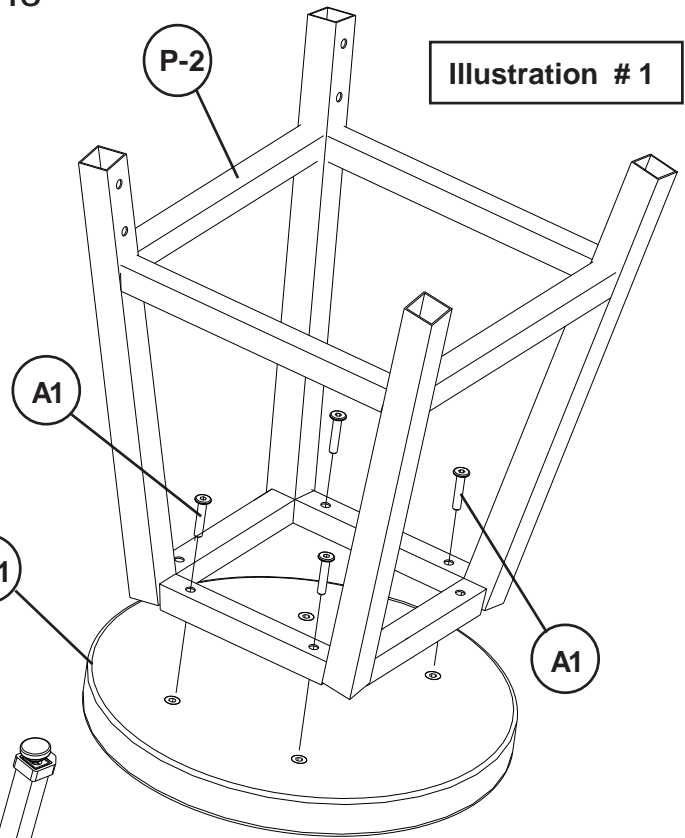
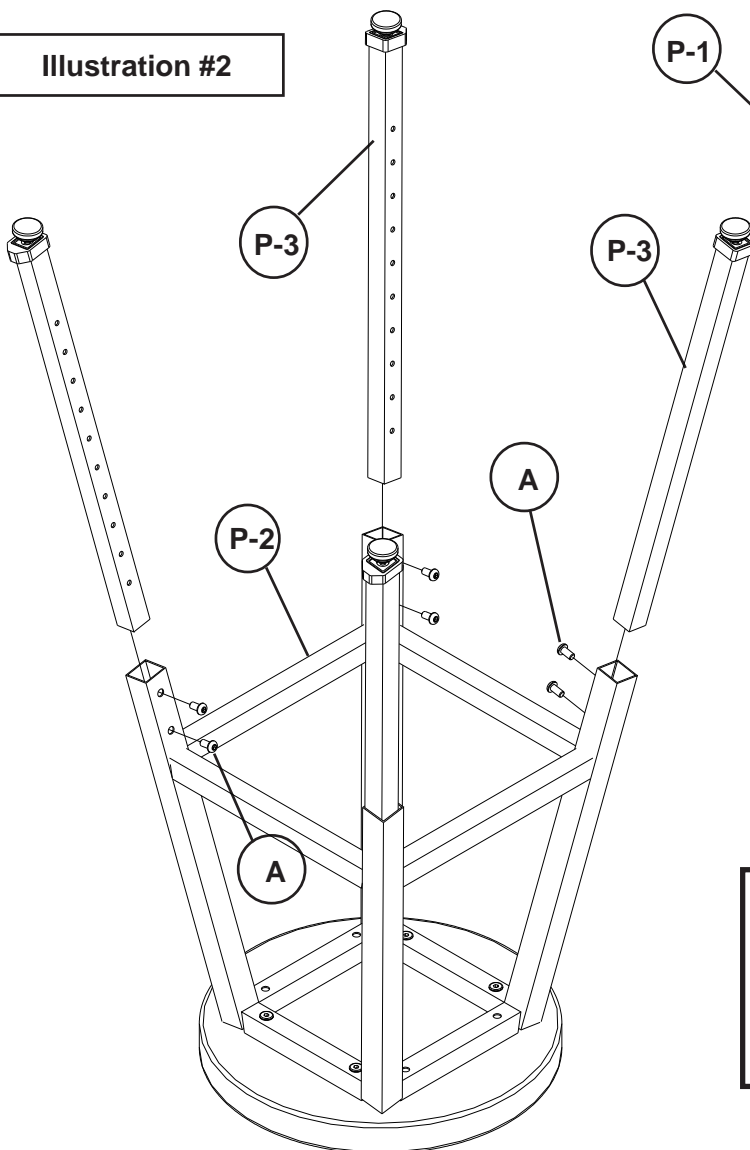


Illustration #2



- 3.) Slide 4 Lower Leg Inserts (P-3) into the Upper Leg Frame (P-2).
Secure at desired height using 8 Screws (A) as shown in illustration #2.

- 4.) Tighten all the screws at this time using Allen Wrench (B).

Missing Parts or UPS Damaged Parts
For Your Convenience you can
EMAIL us at
furniture@baltinc.com
24HOURS 7 DAYS A WEEK