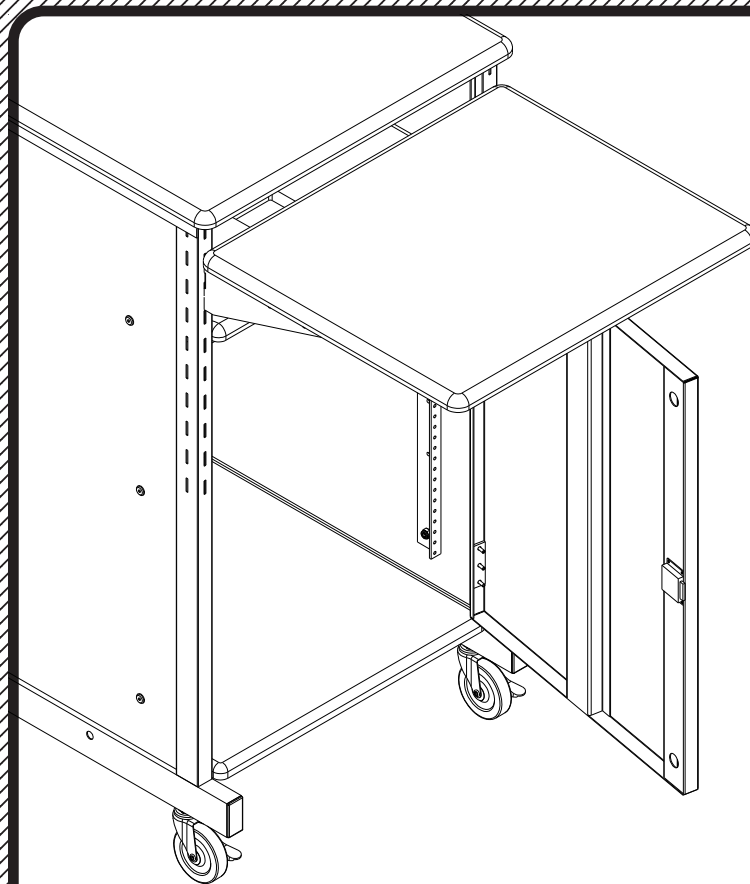




#34445 Optional Door/Rack Xtra-Wide Presentation Cart

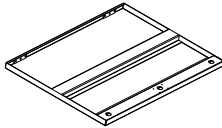
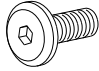
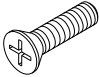


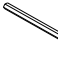


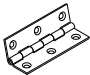
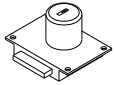

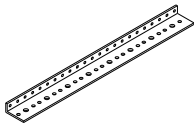


Touchboards

205 Westwood Ave, Long Branch, NJ 07740
Phone: 866-94 BOARDS (26273) / (732)-222-1511
Fax: (732)-222-7088 | E-mail: sales@touchboards.com

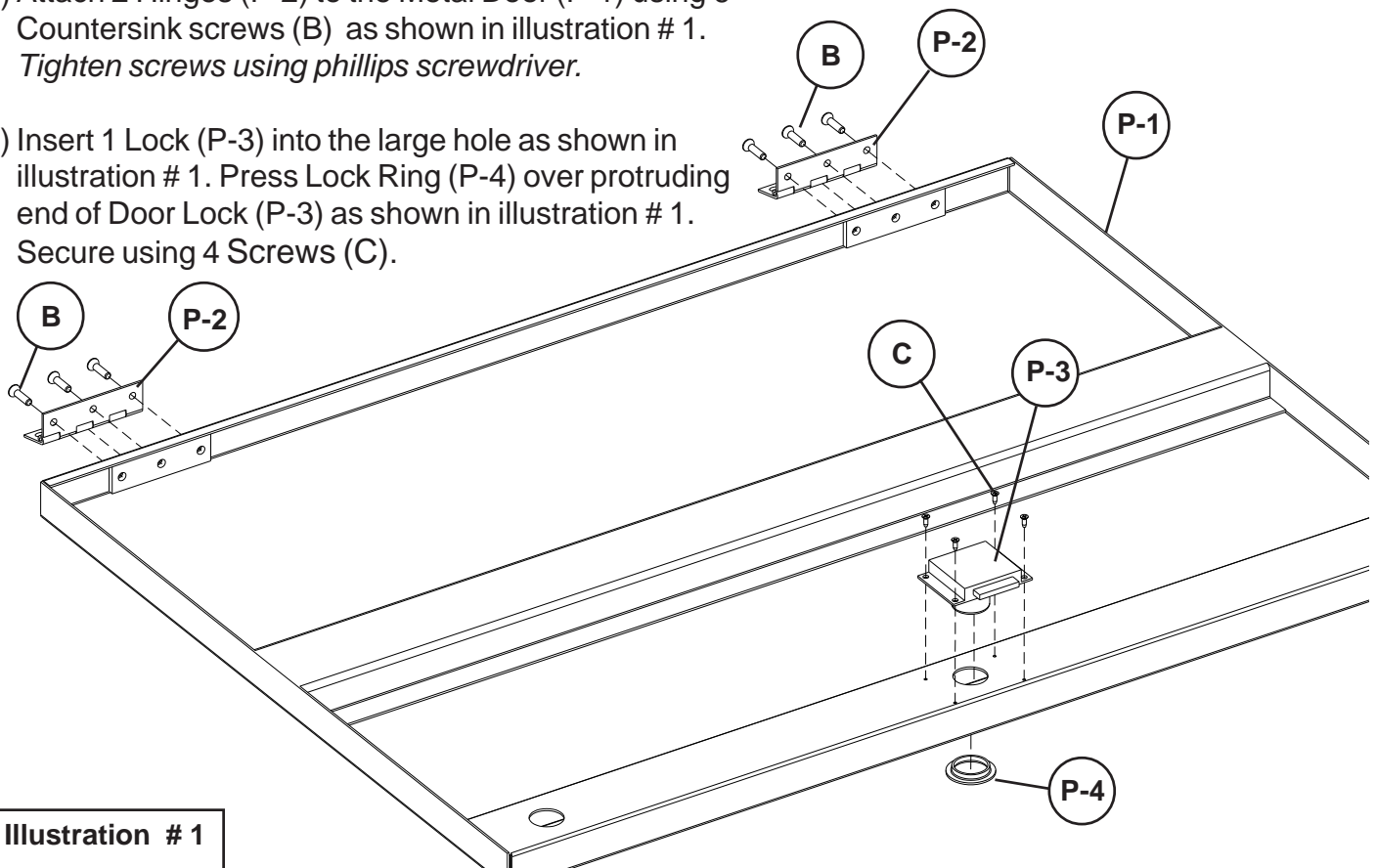
Assembly Instructions

#34445 Optional Door/Rack Xtra-Wide Presentation Cart

Part	Drawing	Description	Qty	Part	Drawing	Description	Qty
P-1		Metal Door	1 EA	<div style="border: 2px solid black; padding: 10px;"> <p style="text-align: center;">Hardware List</p> <p>A  M6X12mm Socket Screw 4 EA</p> <p>B  M4X10mm Csink Screw 12 EA</p> <p>C  Sheet Metal Screw (For Lock) 4 EA</p> <p>D  Lock Nut M6 4 EA</p> <p>E  Allen Wrench 1 EA</p> <p>F  Key 2 EA</p> <p>G  Wrench 1 EA</p> </div>			
P-2		Hinge	2 EA				
P-3		Lock	1 EA				
P-4		Lock Ring	1 EA				
P-5		Rack Rail	2 EA				

READ THROUGH INSTRUCTIONS FROM BEGINNING TO END BEFORE STARTING TO ASSEMBLE UNIT.

- 1.) Identify and Separate all the Parts and Hardware.
- 2.) Attach 2 Hinges (P-2) to the Metal Door (P-1) using 6 Countersink screws (B) as shown in illustration # 1. *Tighten screws using phillips screwdriver.*
- 3.) Insert 1 Lock (P-3) into the large hole as shown in illustration # 1. Press Lock Ring (P-4) over protruding end of Door Lock (P-3) as shown in illustration # 1. Secure using 4 Screws (C).



#34445 Optional Door & Rack for Xtra-Wide Presentation Cart

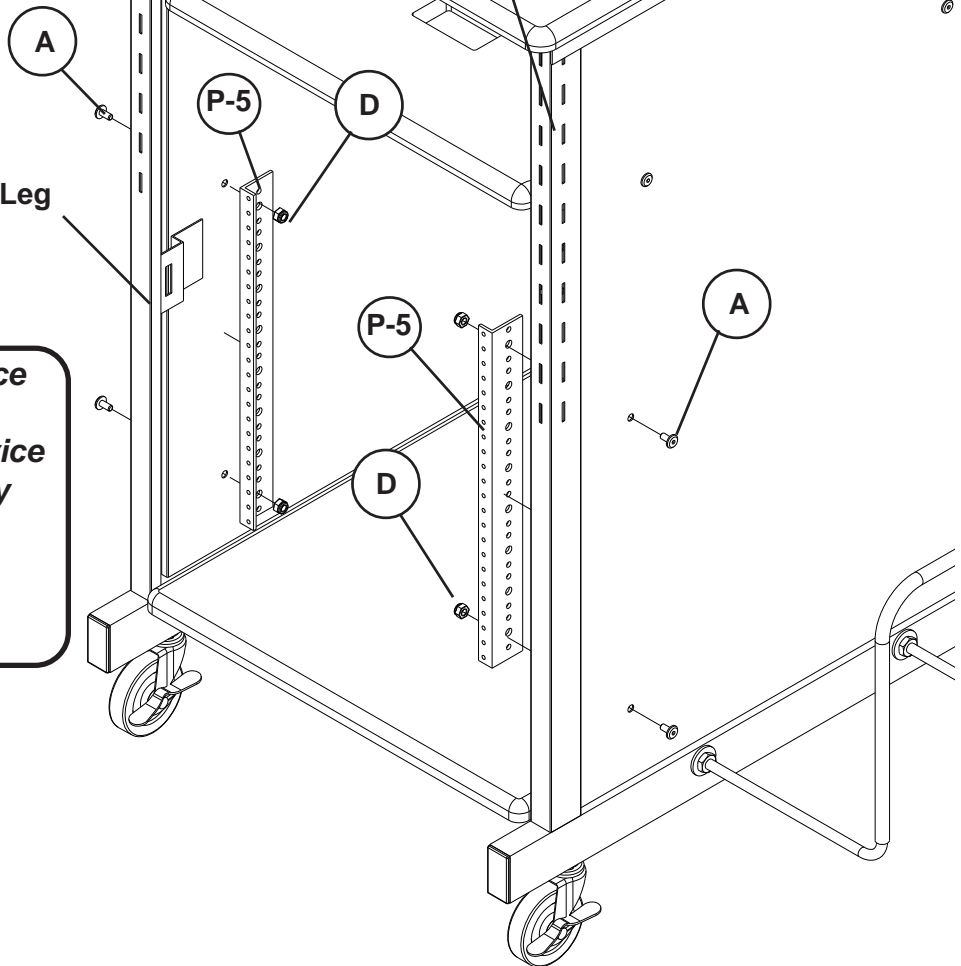
Illustration # 2

4.) Attach 2 Rack Rails (P-5) to the Left and Right Leg Assembly of Xtra-wide Presentation Cart #27517 using 4 screws (A) and 4 Locknuts (D) as shown in illustration # 3.

Tighten screws using Allen Wrench (E) and Wrench (G).

#27517 Left Leg

#27517 Right Leg



Should you require assistance during assembly, please call our Customer Service Department Monday - Friday 8 a.m. - 5 p.m. Central Standard Time 1-800-749-2258

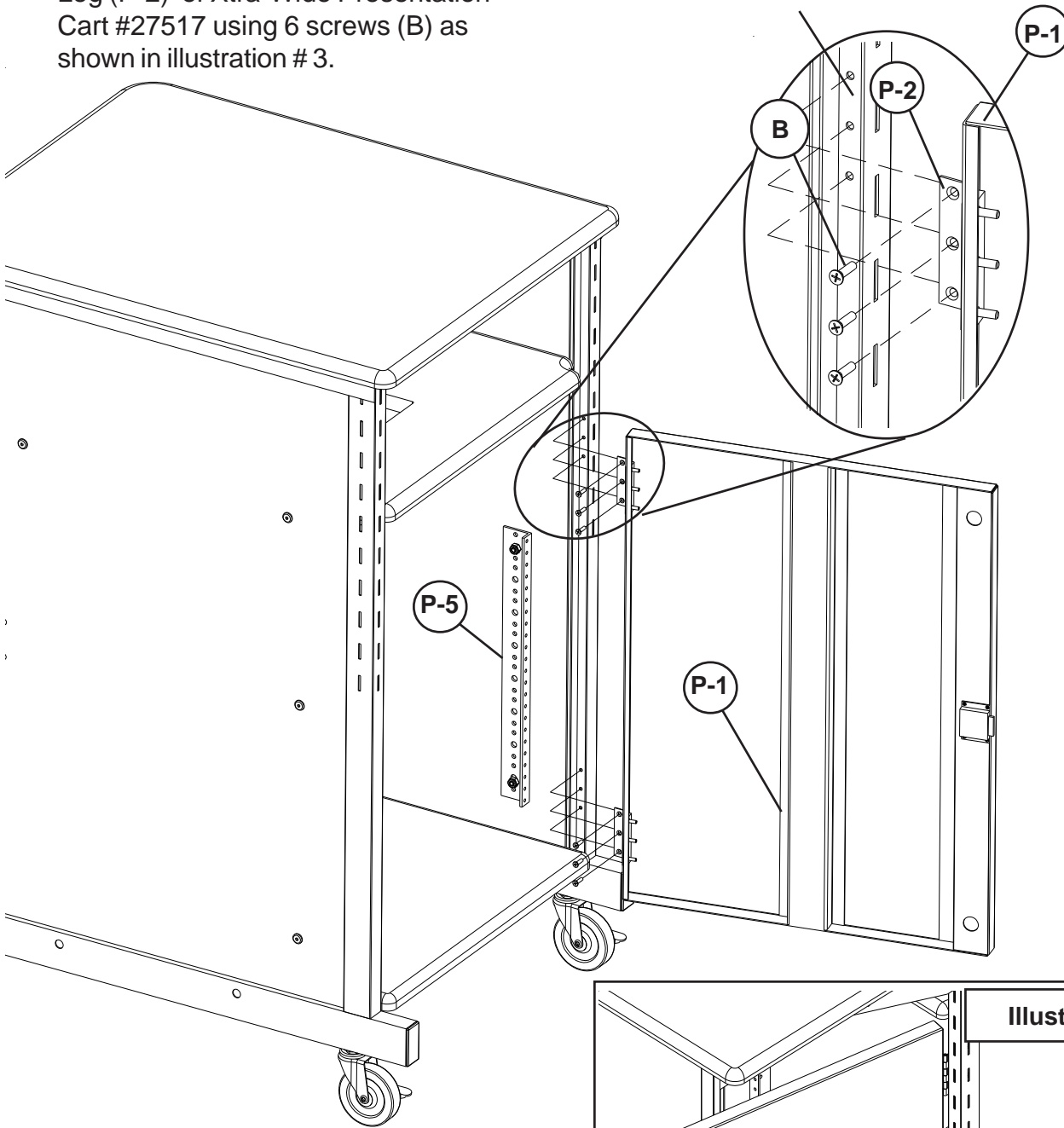
Important

The Balt product you have purchased is guaranteed against material and workmanship defects. This guarantee extends 1 year from date of purchase. Should this product fail to function satisfactorily under normal use due to defect or imperfection, the defective part or product will be replaced. Damage caused by common carriers during shipment is not included in this guarantee.

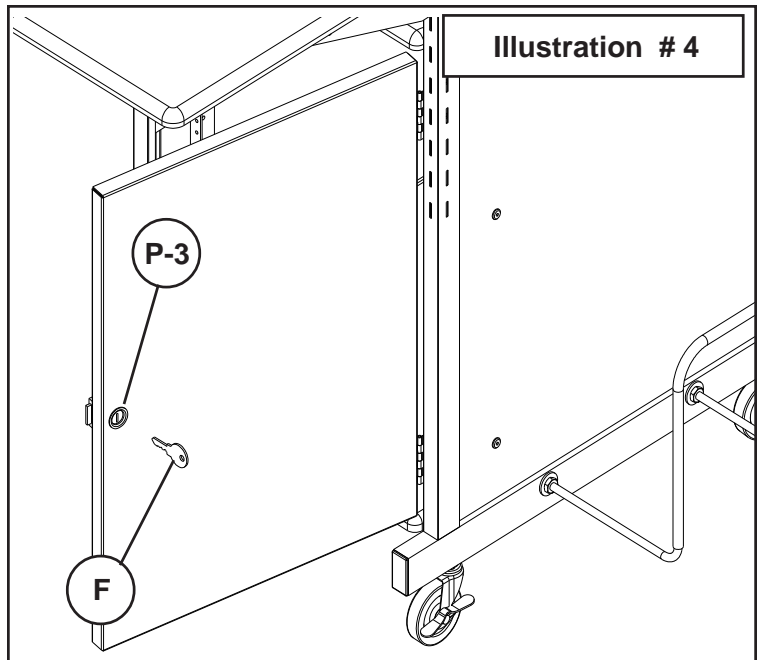
This guarantee sets forth all applicable guarantees and remedies. No other warranty, expressed or implied shall apply. Failure to follow instructions found in Important Information Section of Owner Sheet shall void the guarantee. Consequential or incidental damages and or costs are not refundable.

5.) Attach Metal Door (P-1) to the Right Leg (P-2) of Xtra-Wide Presentation Cart #27517 using 6 screws (B) as shown in illustration # 3.

#27517 Right Leg



6.) Lock Door using Key (F) as shown in illustration # 4.



Missing Parts or UPS Damaged Parts
For Your Convenience you can
EMAIL us at
support@moorecoinc.com
24HOURS 7 DAYS A WEEK